

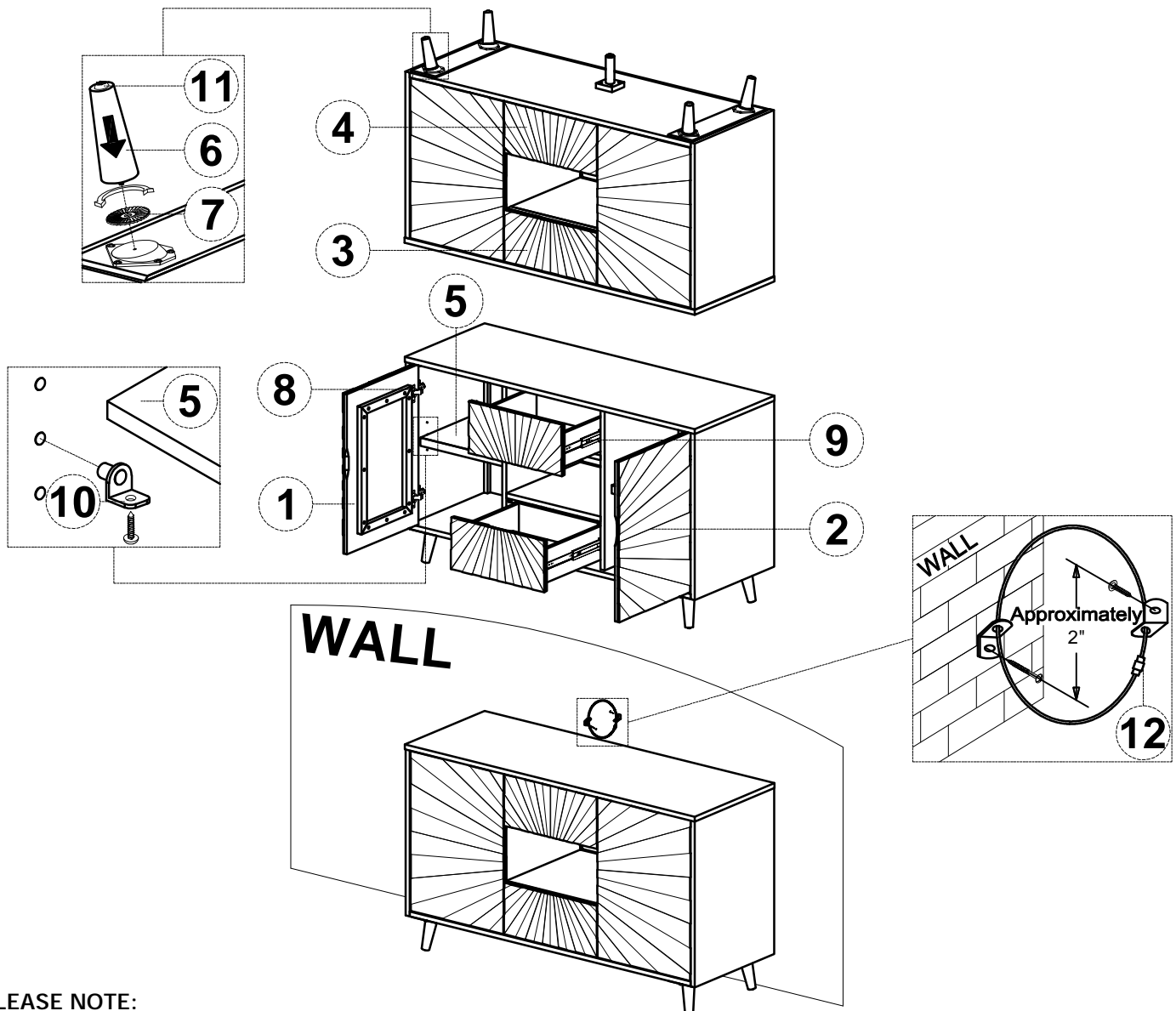
ASSEMBLY INSTRUCTIONS & PARTS IDENTIFICATION

50" CONSOLE AMERICANO AMERICANO

Thank you for purchasing this quality product. Be sure to check all packing material carefully for small parts that may have come loose inside the carton during shipment.

KEY COMPONENTS				KEY COMPONENTS			
No.	Code	Q'ty	Description	No.	Code	Q'ty	Description
1		1 Pc	Left Side facing door	7		4 Pcs	Plastic washer
2		1 Pc	Right Side facing door	8		4 Pcs	Door hinge
3		1 Pc	Drawer top	9		4 Pcs	Extension drawer glide
4		1 Pc	Drawer bottom	10		8 Pcs	Shelf pin
5		2 Pcs	Shelf	11		4 Pcs	Levelers
6		4 Pcs	Leg	12		1 Kit	Anti-tip kit

- With two people carefully place the cabinet on a flat surface to prevent scratches.
- Proceed to put the plastic washers on the legs and attach the legs to the cabinet, rotate the legs clockwise until tight. Align the legs so that they are in the correct direction with the product.



PLEASE NOTE:

To help prevent the possibility of tip-over, install the ANTI-TIP OVER restraint provided.