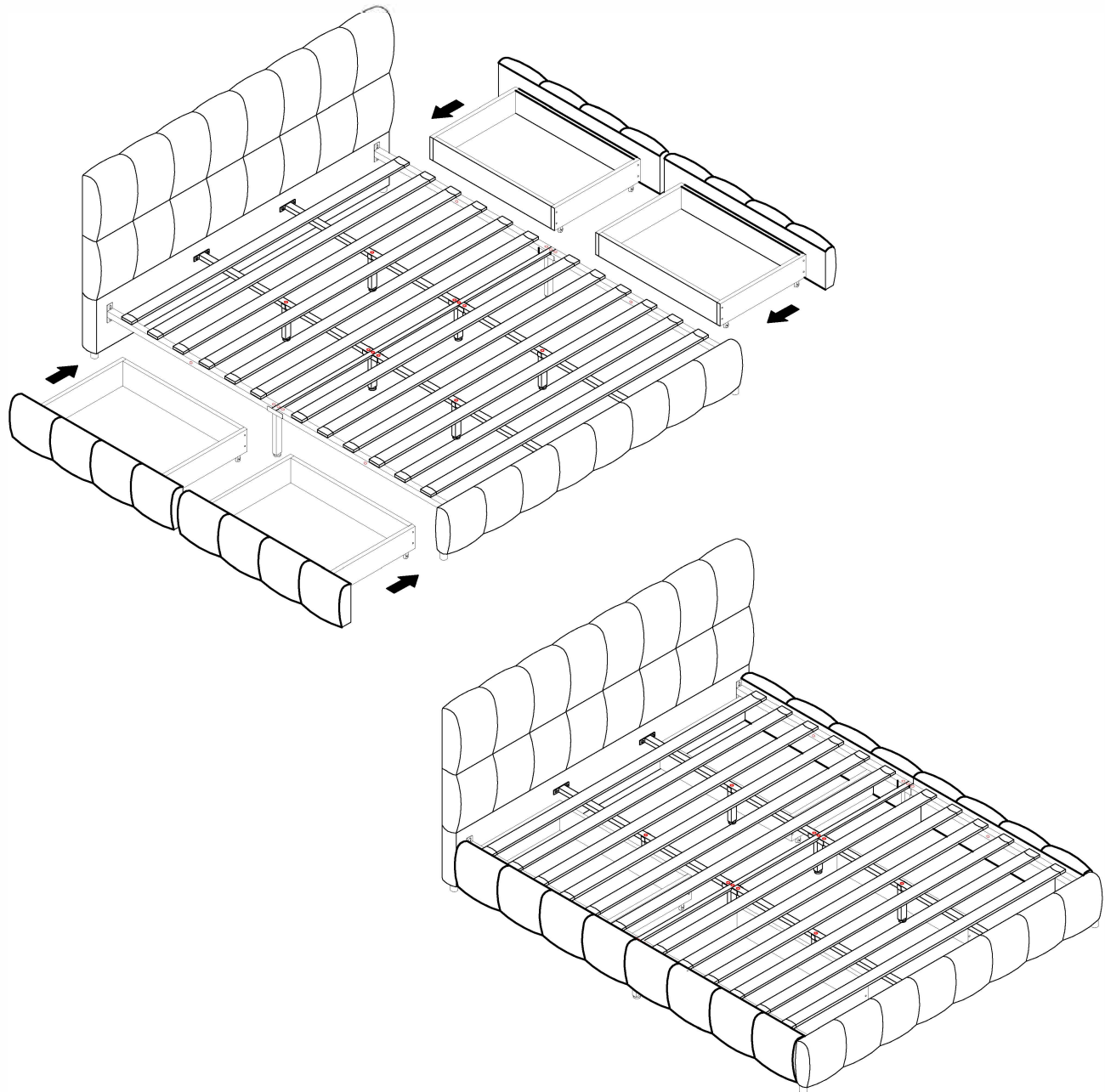


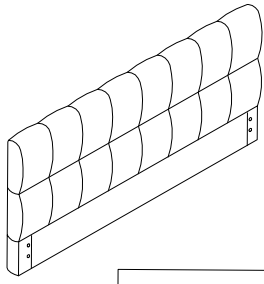
# ASSEMBLY INSTRUCTIONS



Install all screws according to the instructions,  
and then tighten them completely.

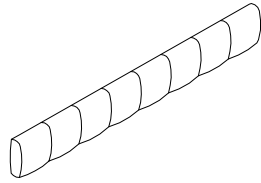
# PARTS AND HARDWARE

① Headboard



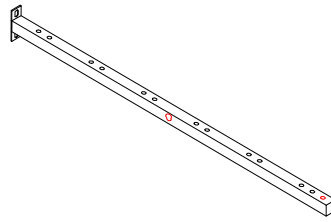
1PC

② Footboard



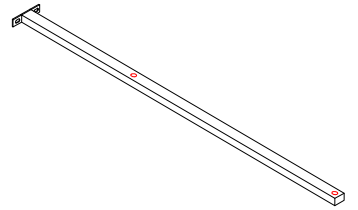
1PC

③ Side Rail Support



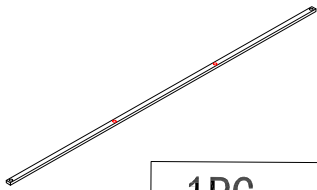
4PCS

④ Center support rail



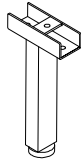
4PCS

⑤ Center cross bar



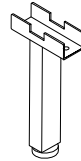
1PC

⑥ Side Rail Feet



2PCS

⑦ Center Support Leg



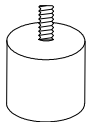
2PCS

⑧ Support Leg



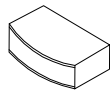
4PCS

⑨ Leg



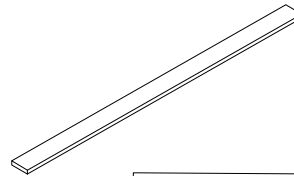
4PCS

⑩ Single Sided Plastic cap



24PCS

⑪ Slat



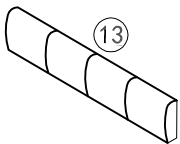
12PCS

⑫



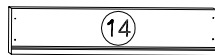
16PCS

⑬



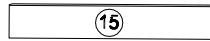
4PCS

⑭



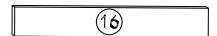
8PCS

⑮



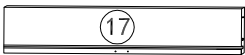
4PCS

⑯



8PCS

⑰



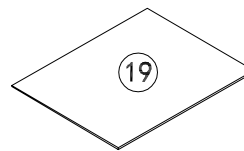
4PCS

⑱



4PCS

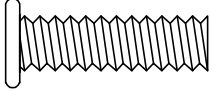

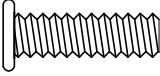

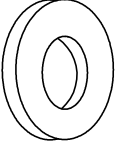

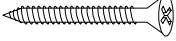
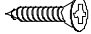
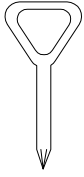
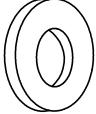

⑲



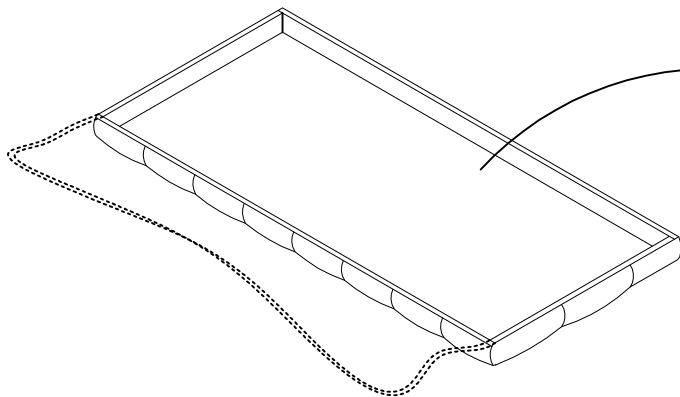
4PCS

# PARTS AND HARDWARE

## HARDWARE LIST:

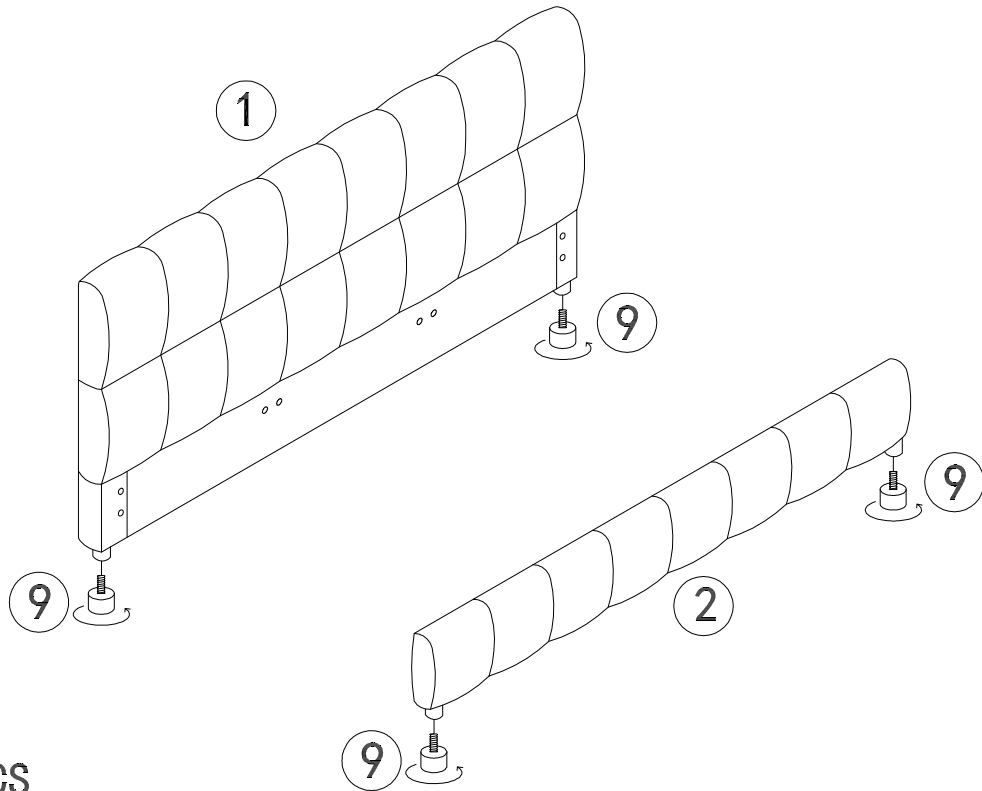
<p><b>A</b></p>  <p>m8*30mm    16 PCS</p>	<p><b>B</b></p>  <p>m8*45mm    16 PCS</p>	<p><b>C</b></p>  <p>M6*30mm    20PCS</p>	<p><b>D</b></p>  <p>m8    32PCS</p>
<p><b>E</b></p>  <p>m8*19mm    32PCS</p>	<p><b>F</b></p>  <p>m8    1PC</p>	<p><b>G</b></p>  <p>8*30mm    80 PCS</p>	<p><b>H</b></p>  <p>8*15mm    64PCS</p>
<p><b>I</b></p>  <p>1PC</p>	<p><b>J</b></p>  <p>M6*14mm    16PCS</p>	<p><b>K</b></p>  <p>M6    1PC</p>	

## STEP :Packing Details

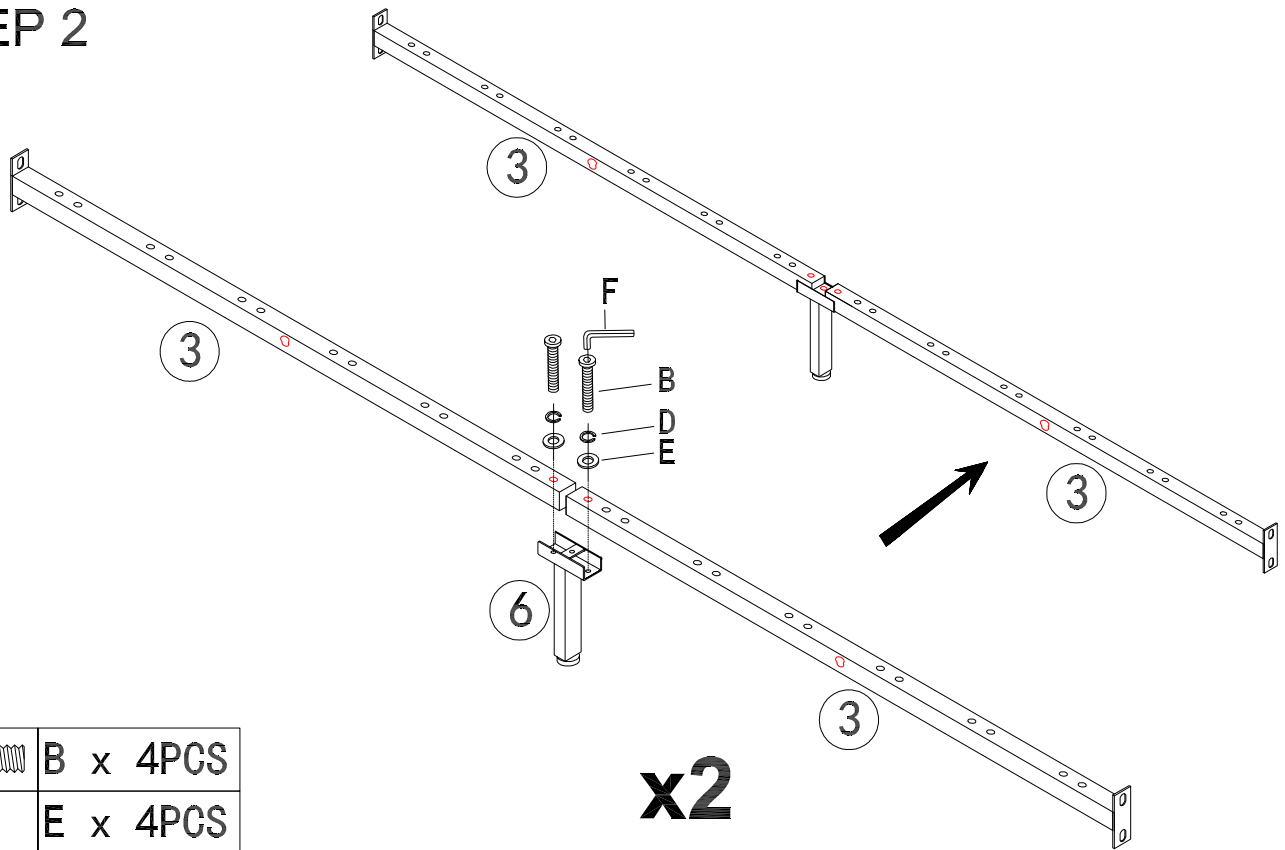






All components inside

# STEP 1

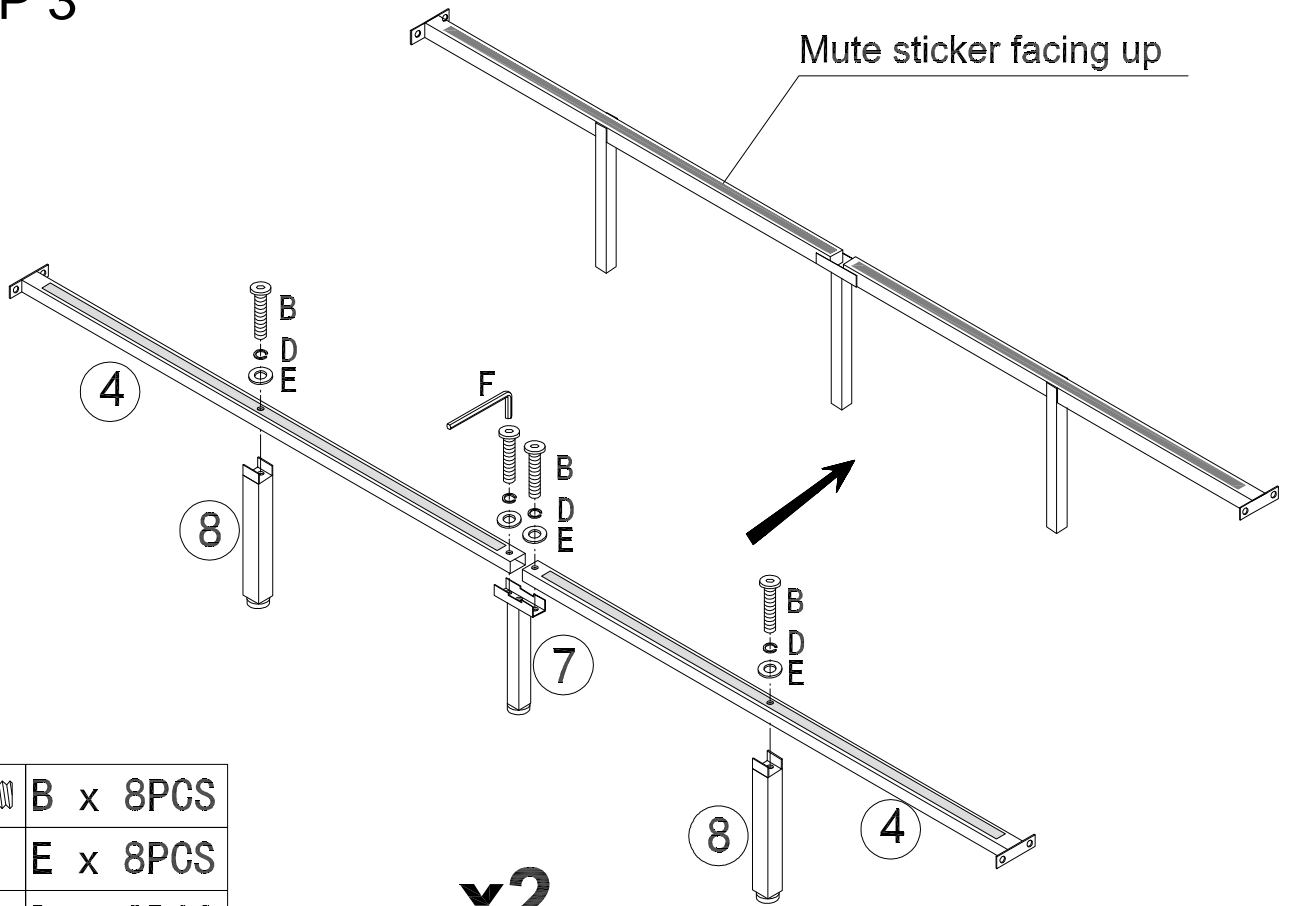


# STEP 2







	B x 4PCS
	E x 4PCS
	D x 4PCS
	F x 1PC

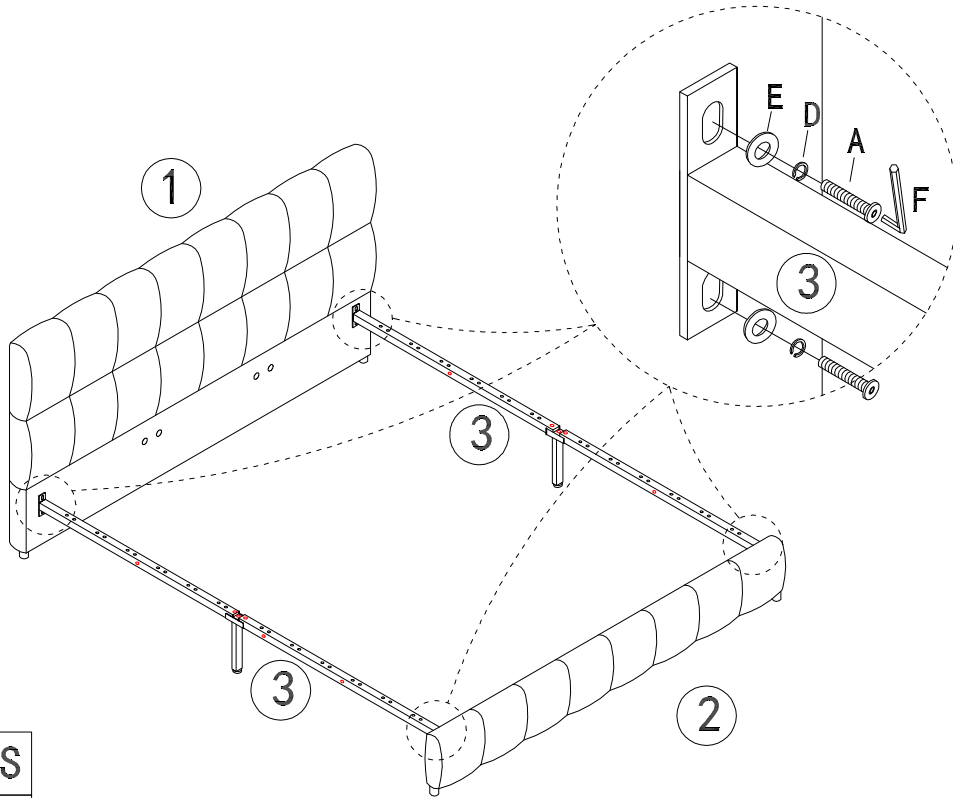
# STEP 3







**x2**

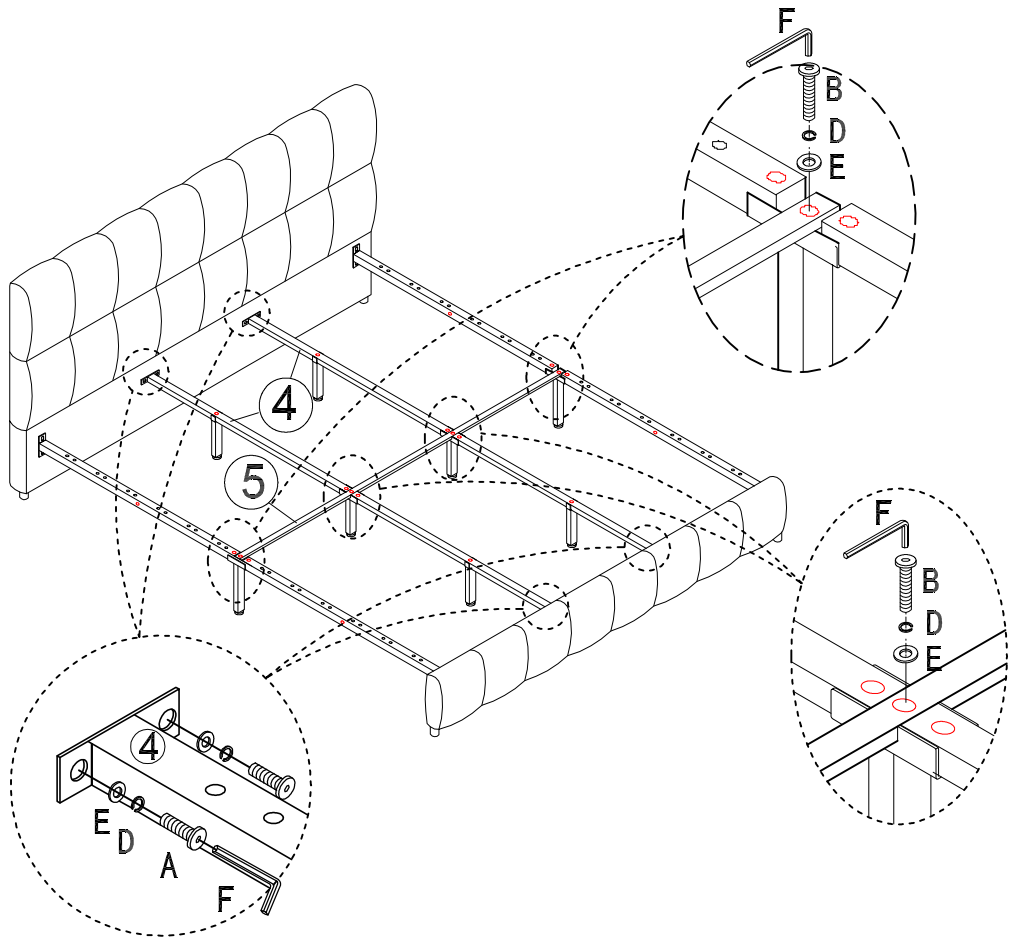
	B x 8PCS
	E x 8PCS
	D x 8PCS
	F x 1PC

# STEP 4



	A x 8PCS
	E x 8PCS
	D x 8PCS
	F x 1PC

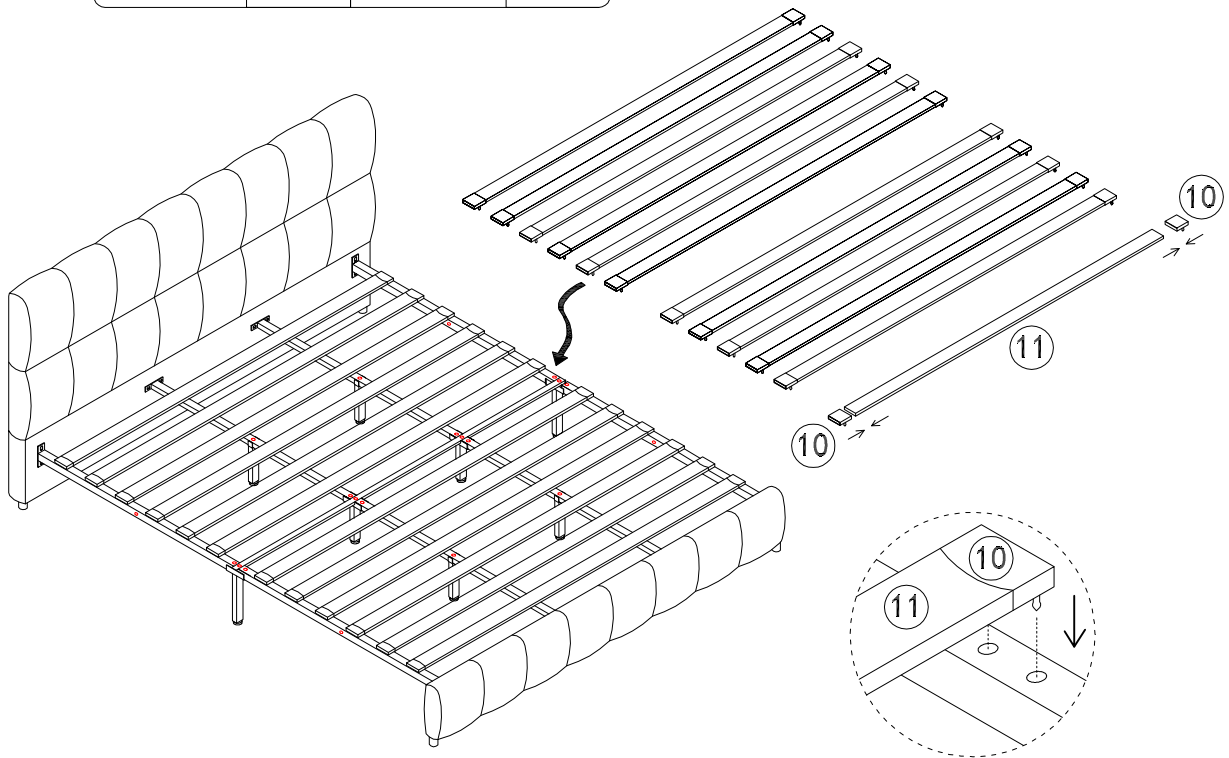
# STEP 5



	B x 4 PCS
	A x 8 PCS
	E x 12PCS
	D x 12PCS
	F x 1PC

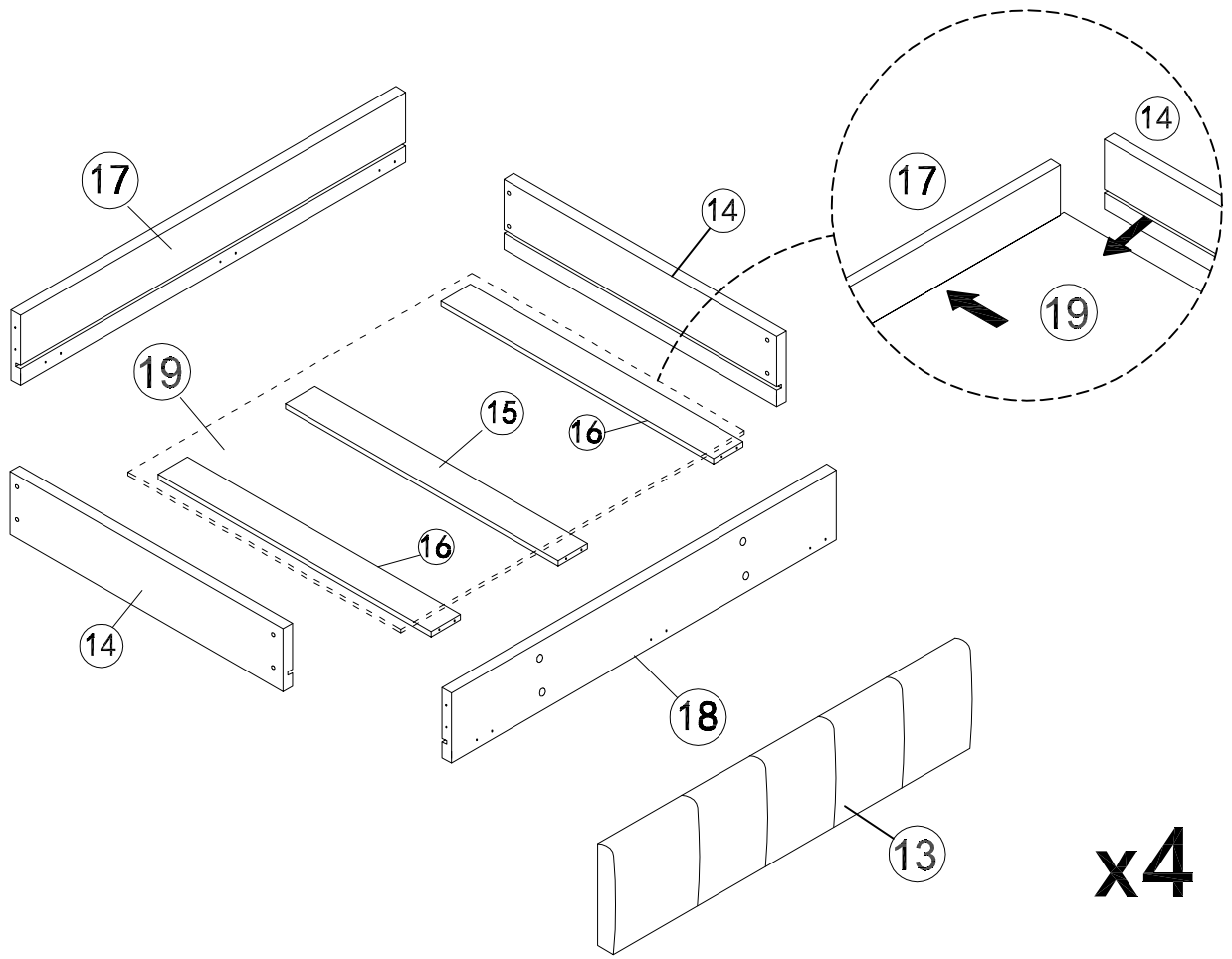
# STEP 6

	⑪ Slat		⑩ Single Sided Plastic cap
	12PCS		24PCS



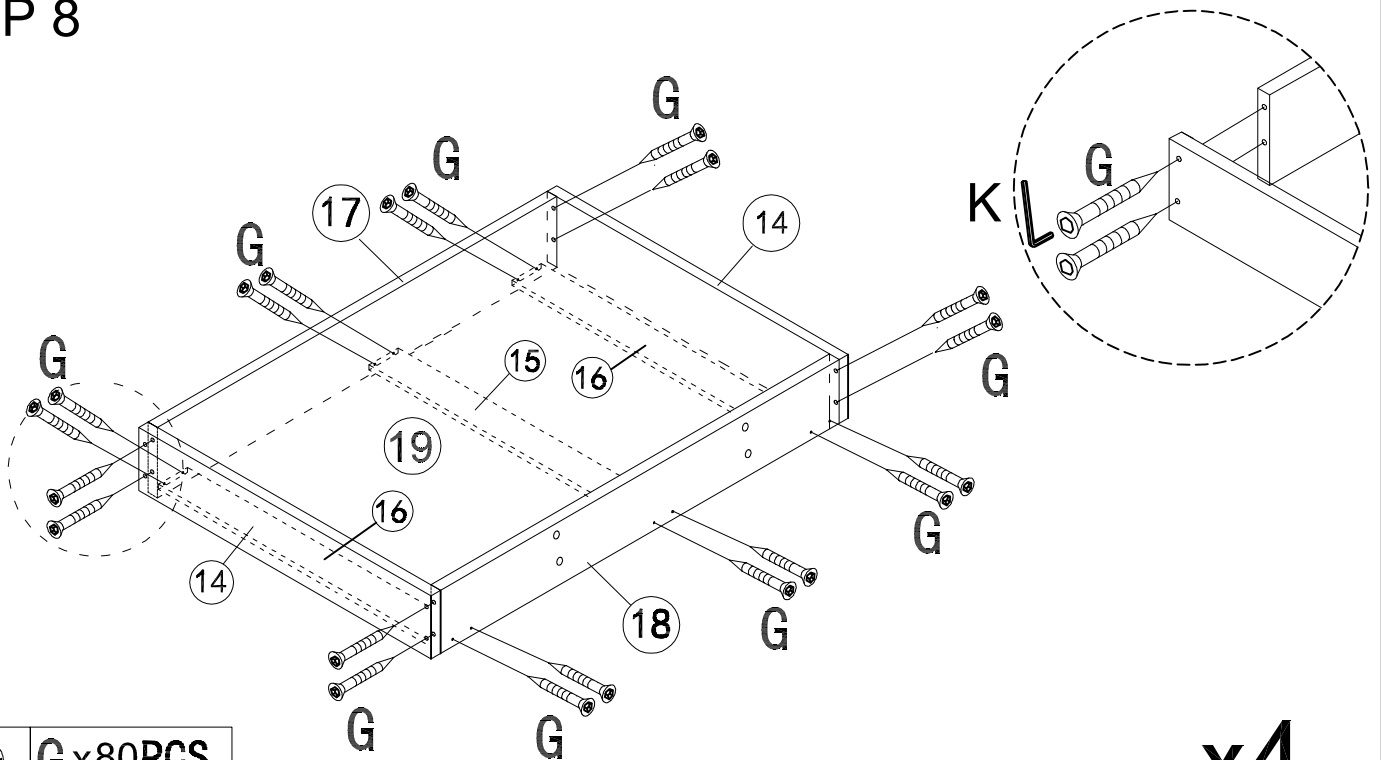
# STEP 7

## ASSEMBLE DRAWER

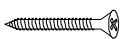


**x4**

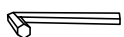
# STEP 8



**x4**

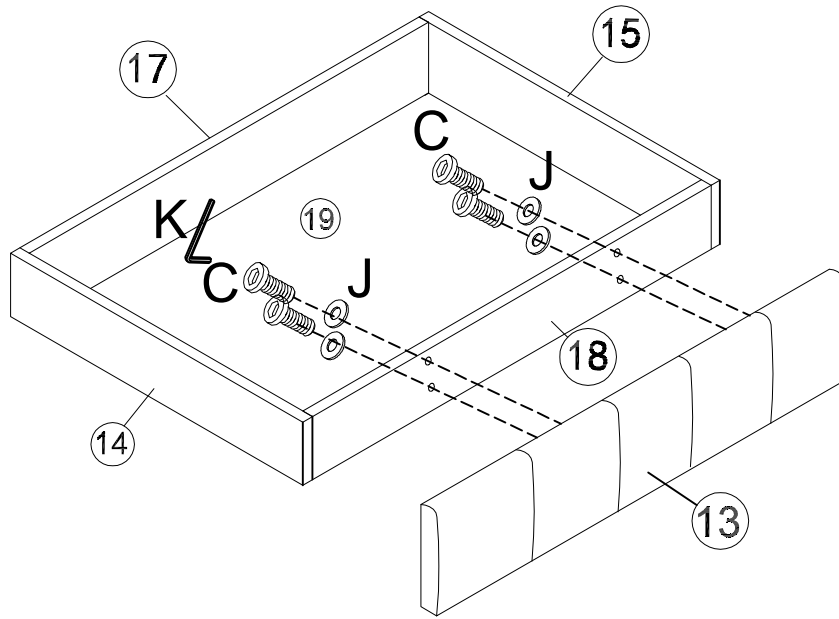




**G x80PCS**



**K x1PC**

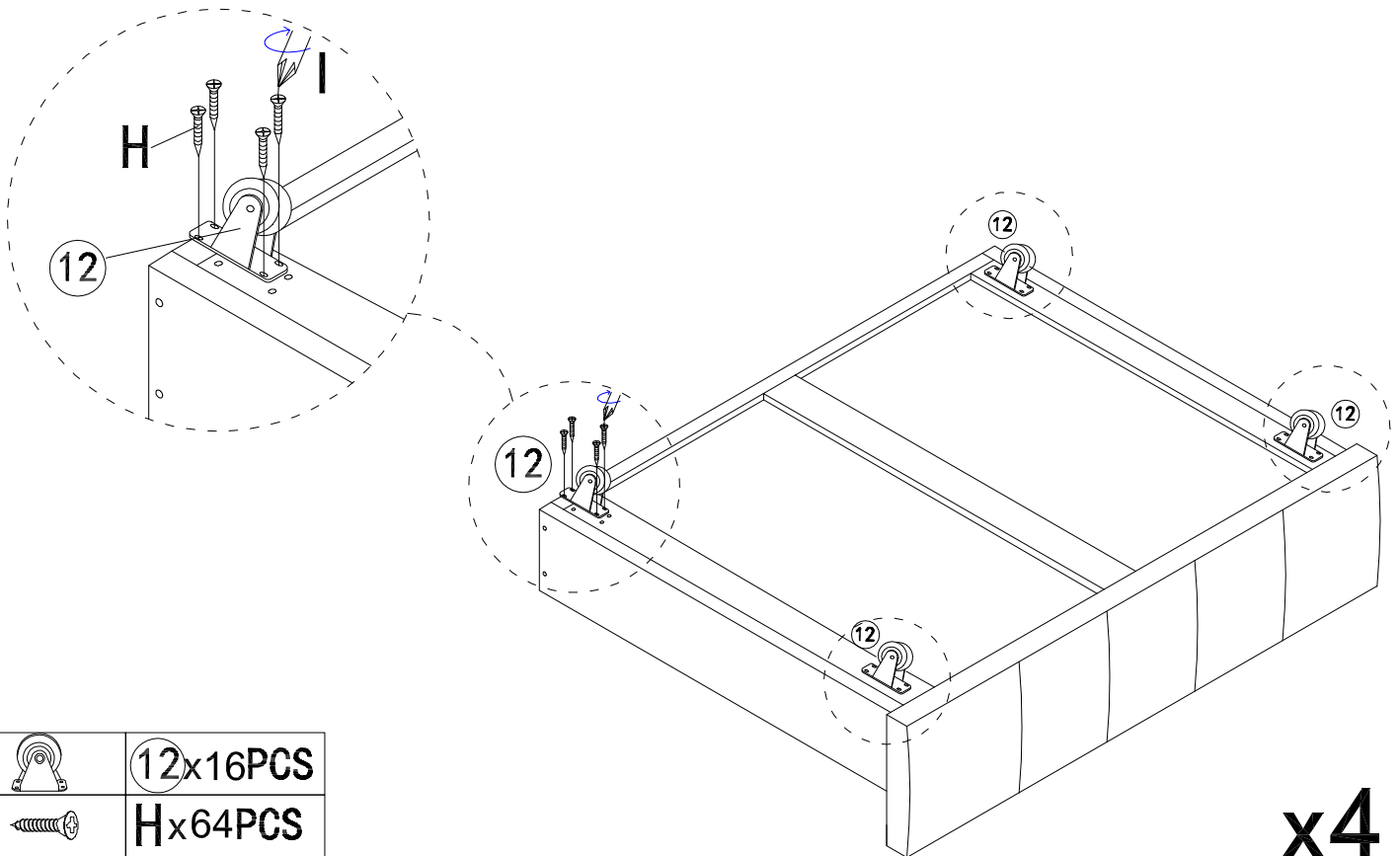
# STEP 9


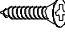
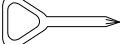


	<b>Cx16PCS</b>
	<b>Jx16PCS</b>

**x4**

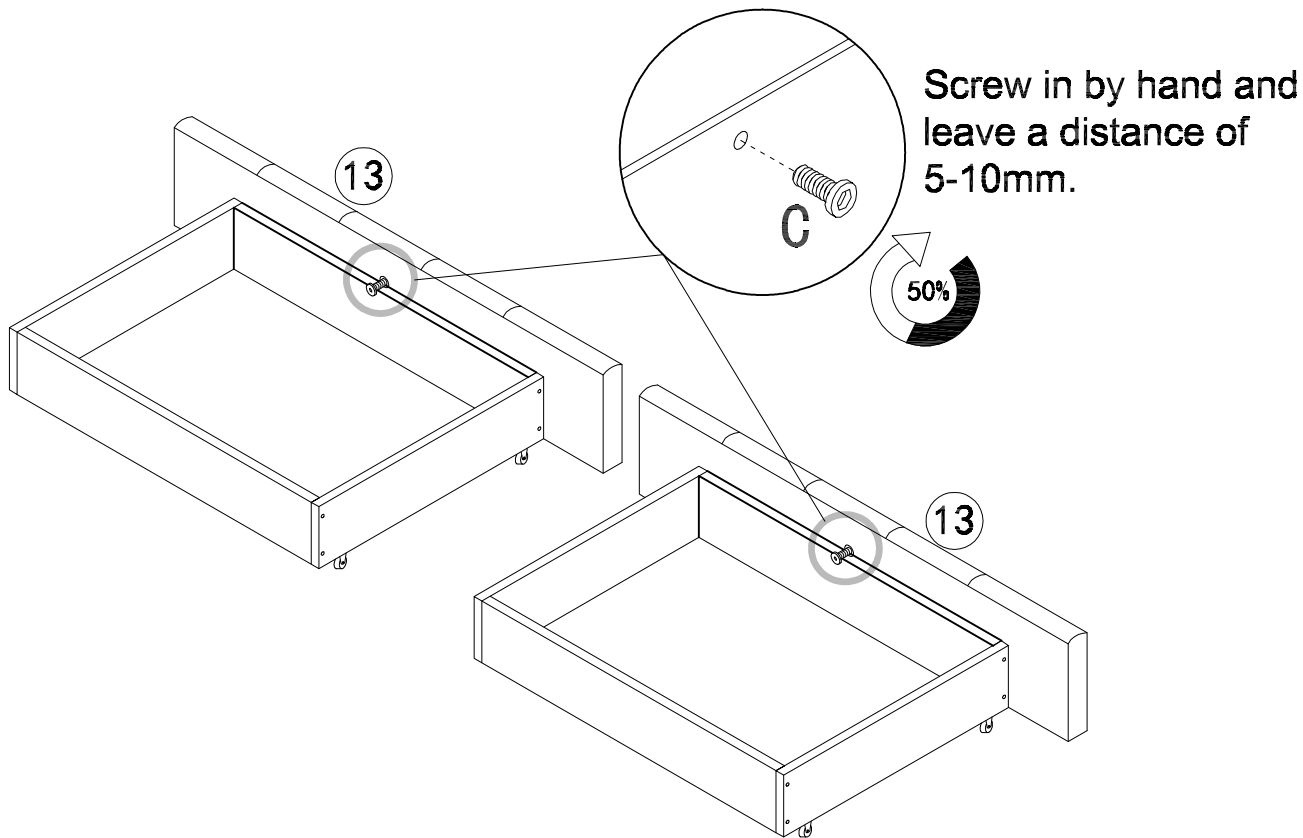
# STEP 10



	<b>12x16PCS</b>
	<b>Hx64PCS</b>
	<b>I x1PC</b>

**x4**

# STEP 11



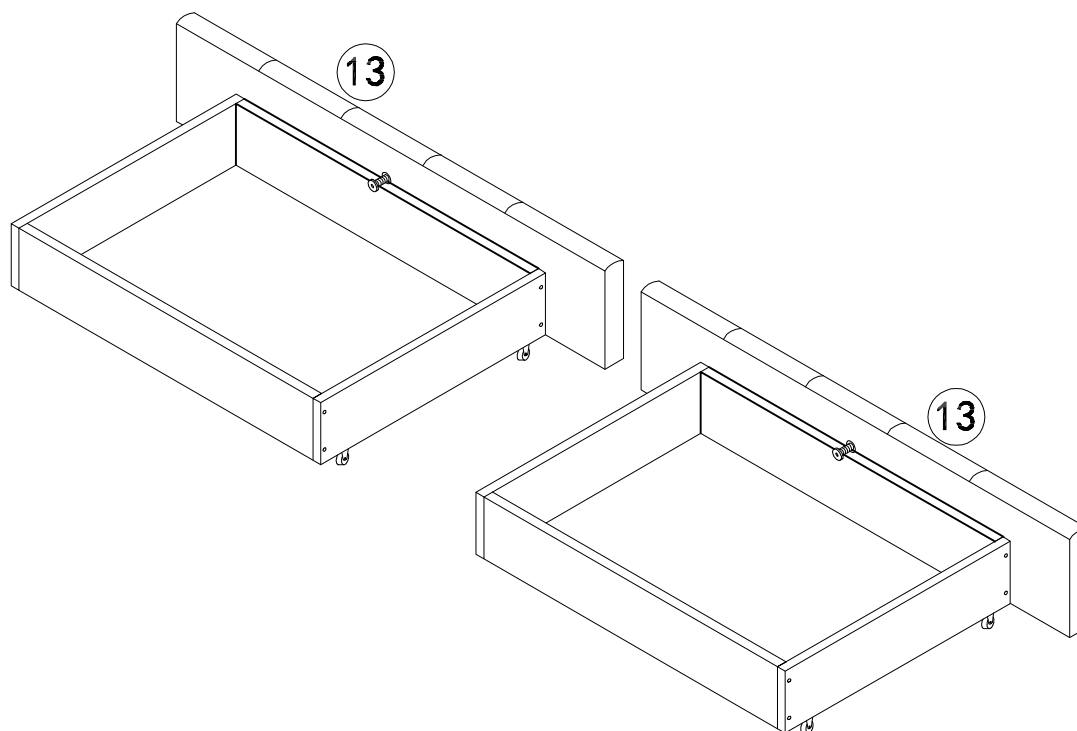
x2



C x4PCS

# STEP 12

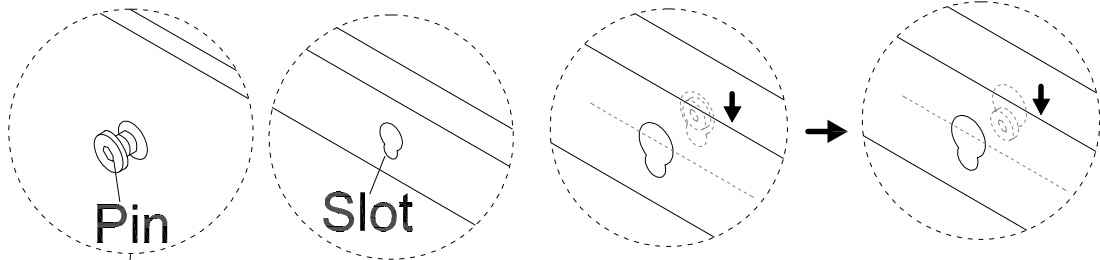
## DRAWER ASSEMBLE COMPLETE



x2

# STEP 13

Drawer panel screw hang into side cross beam hole.



There is a screw head on the drawer board. Hang them in the hole as shown in the figure.

