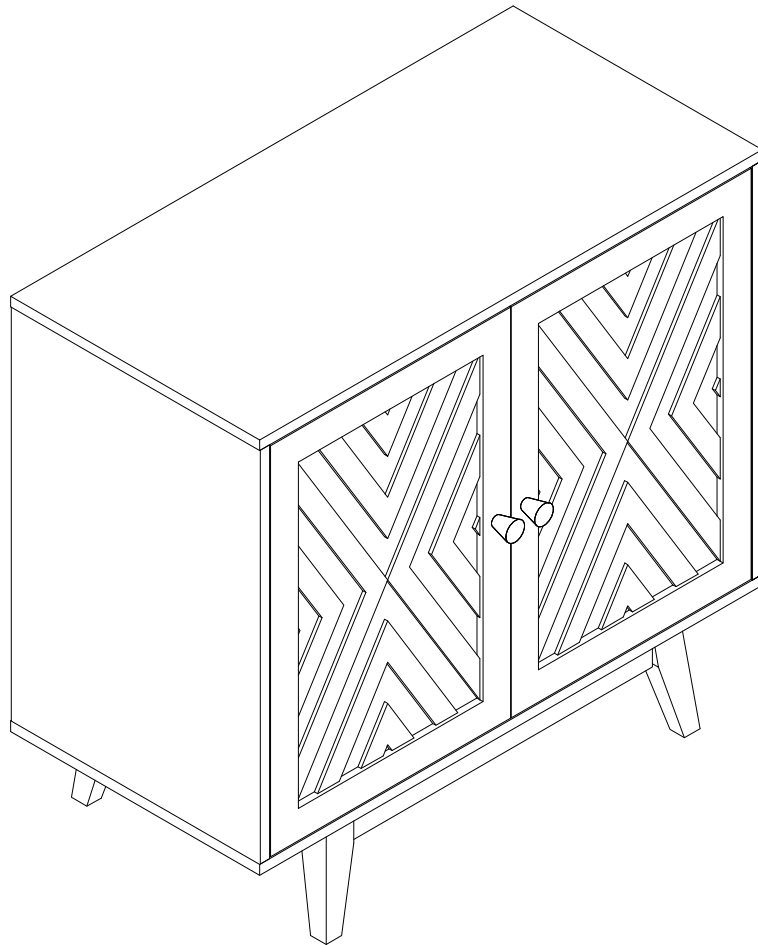


Owner Manual



NOTE:

This brochure contains IMPORTANT safety info. Please read and keep for future reference.

MAINTAINANCE AND WARNING

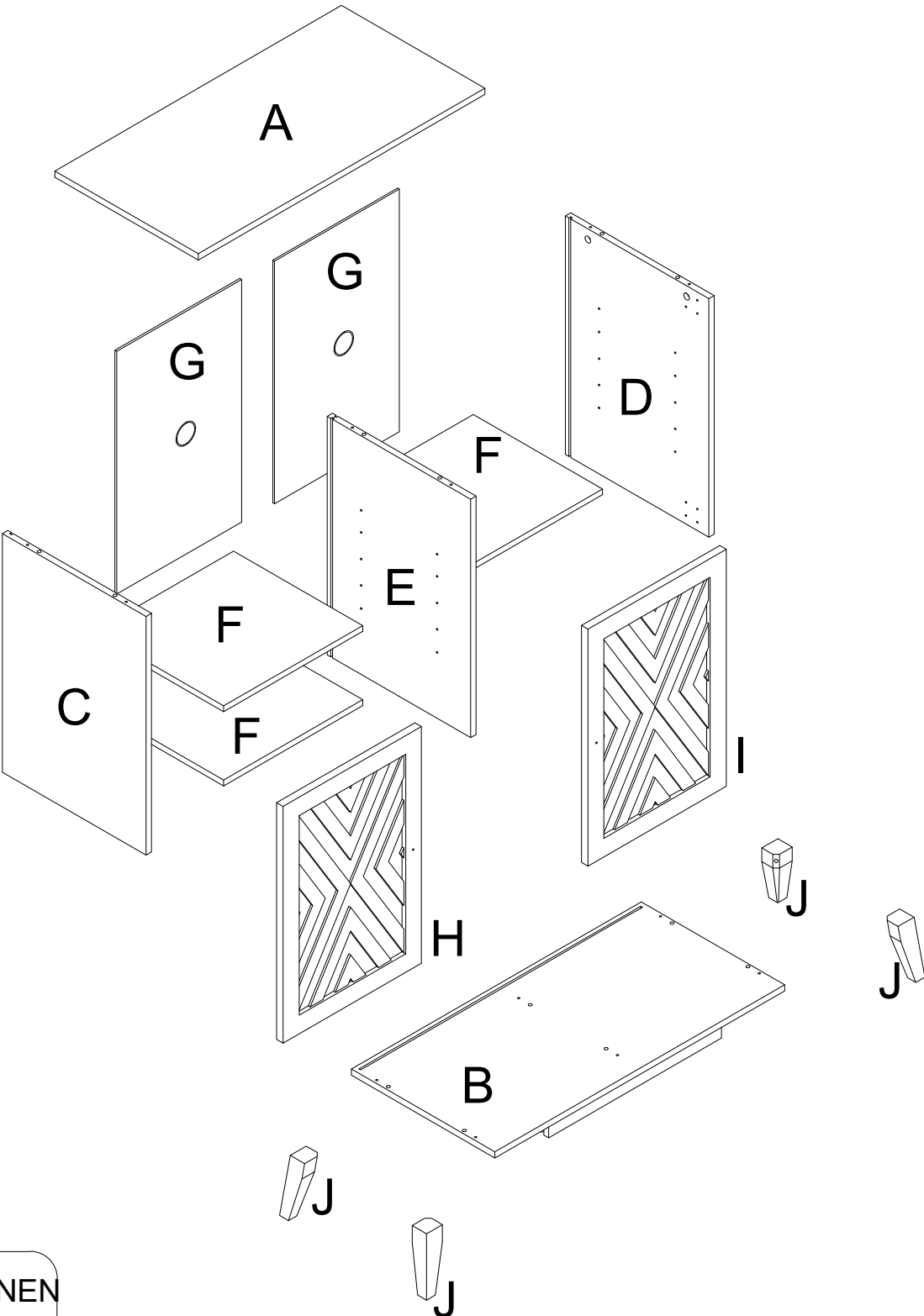
- 1.Keep furniture away from heat sources.
- 2.Do not clean furniture with harsh cleaner or polishes.Do not use detergents,solvents,abrasives,spray packs or leather cleaner. Use non-color mild soap with warm water to clean spills(Mix 1:10 soap to water).
- 3.Do not place furniture under direct sunlight,material will possibly fade over time.
- 4.Do not use on site dry cleaning machine.Children should not climb or jump on the furniture.
- 5.Do not write on furniture that is not protectedby a padded barrier.
- 6.Not for commercial use,only for residential use.



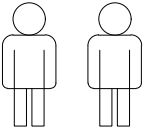
Weight Limitation

110 LBS

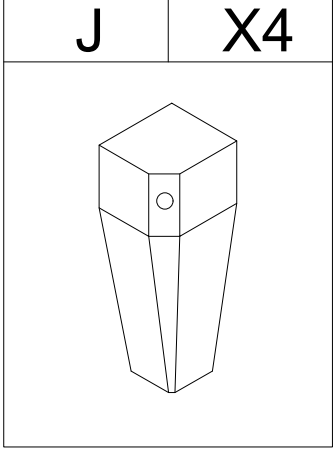
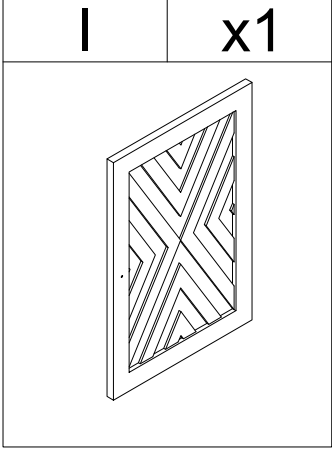
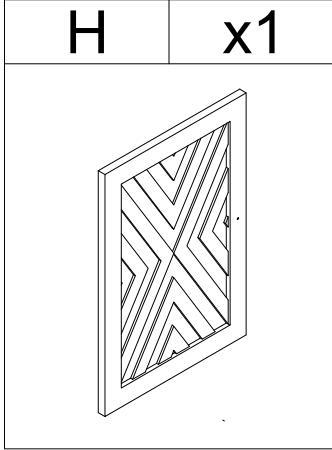
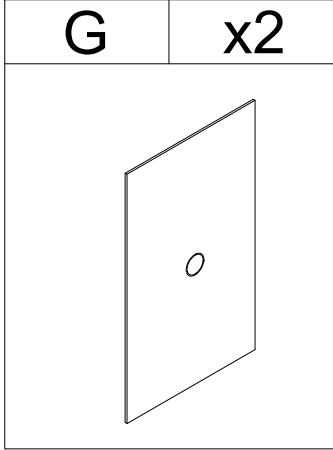
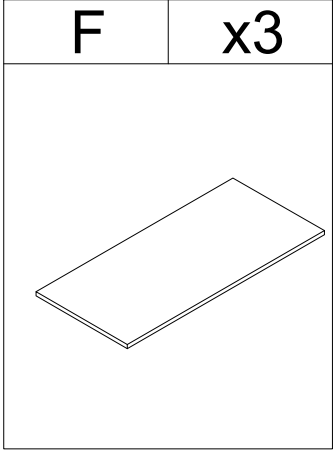
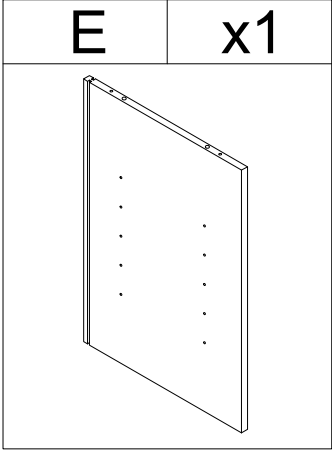
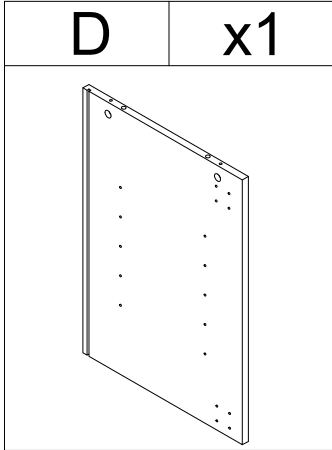
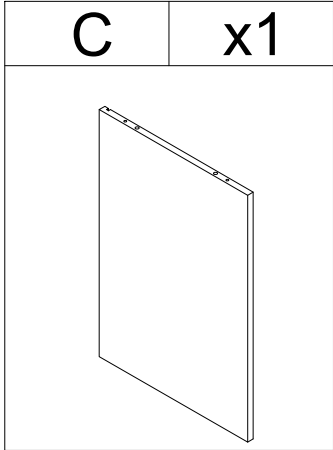
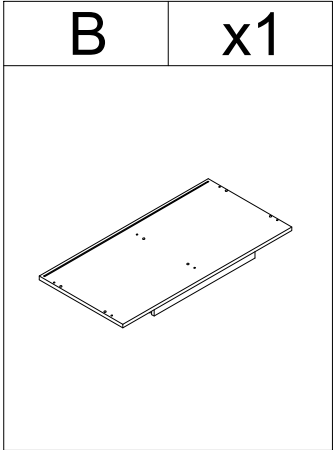
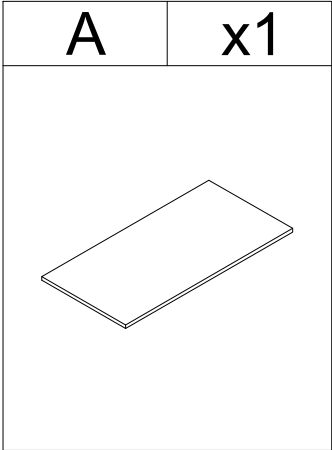
EXPLOSIVE VIEW



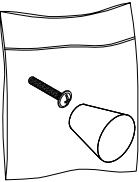
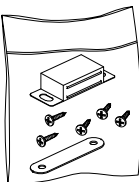
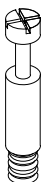
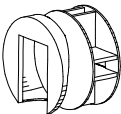
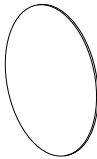
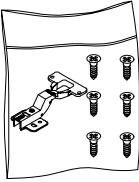

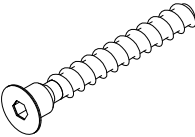
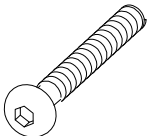


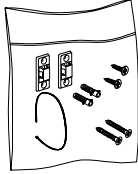
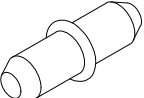

2 PERSONEN




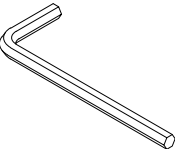
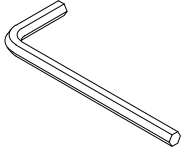
PARTS LIST



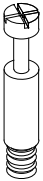
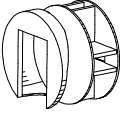

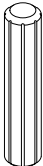
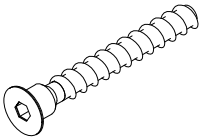
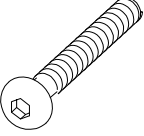
HARDWARE LIST

#1	x2	#2	x4	#3	x6	#4	x6	#5	x6	#6	x4
											
#7	x12	#8	x6	#9	x4	#10	x4	#11	x4	#12	x2
			M6*50MM		M8*50MM						
#13	x12	#14	x8								
											



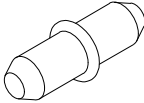
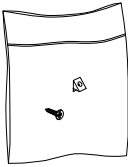
TOOL LIST

#15	x1	#16	x1	#17	x1
			M8		M6

HARDWARE SPARE LIST

#3	x1	#4	x1	#5	x1	#7	x1	#8	x1	#9	x1
									M6*50MM		M8*50MM

HARDWARE SPARE LIST

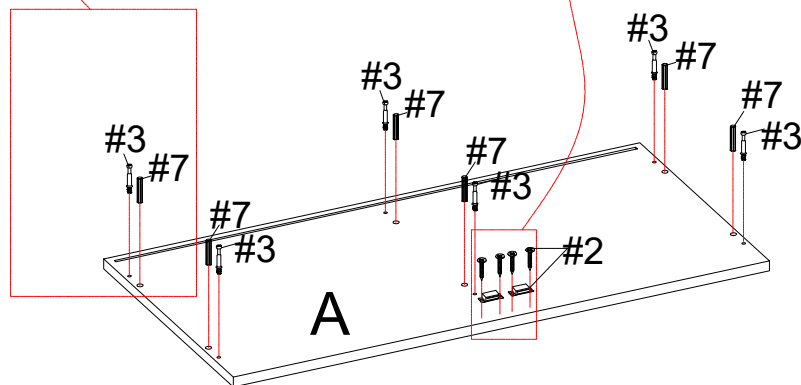
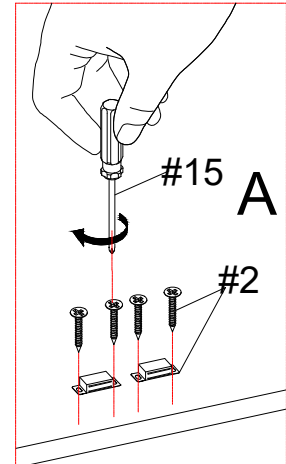
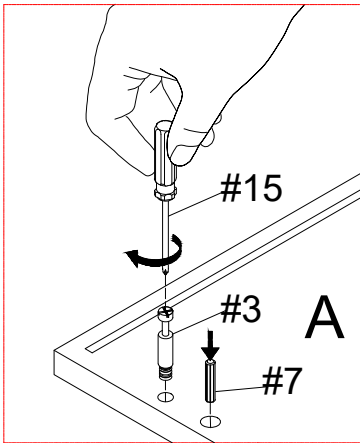
#10	x1	#11	x1	#13	x1	#14	x1
							

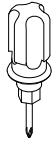
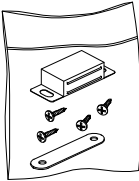

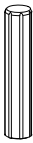
ASSEMBLY INSTRUCTIONS

STEP-1

Prepare for part A. Align the holes in part A, insert wooden dowel #7 by hand, tighten with screwdriver #15 tighten #3。

Use bolt #2 to attach Magnetic device #2 to top panel (A) , tighten bolts with screwdriver #15.

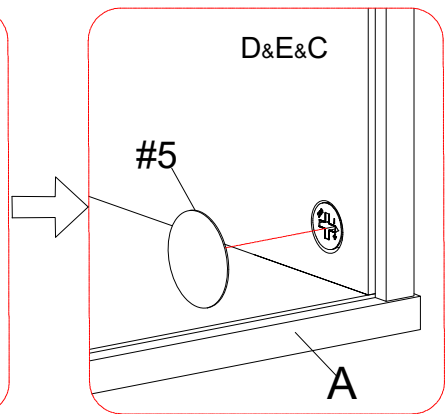
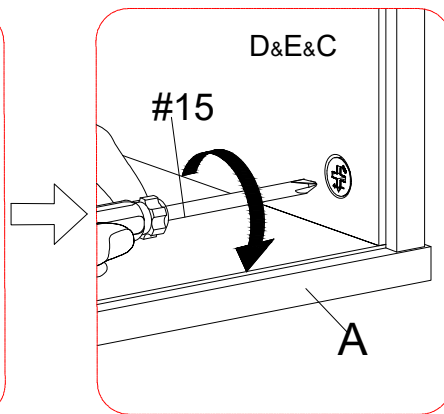
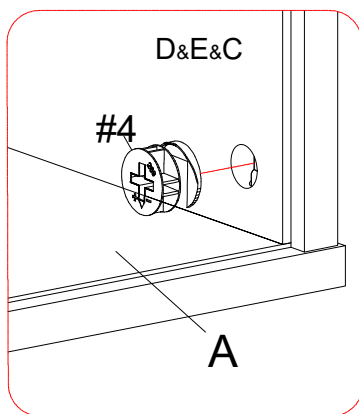
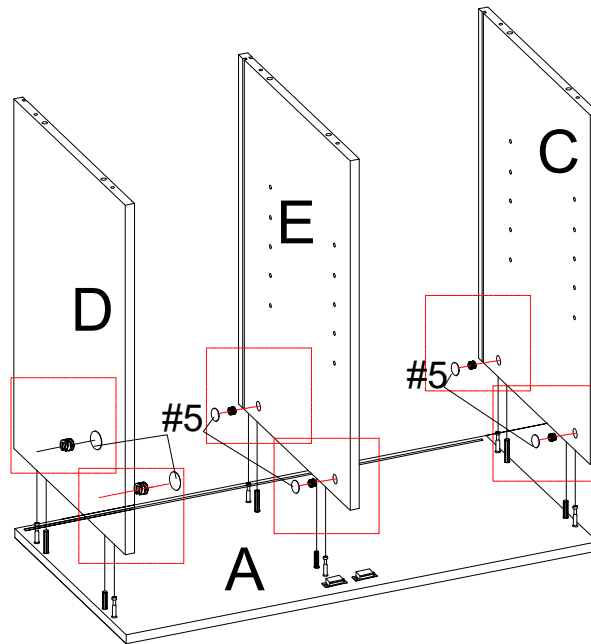


#15	x1	#2	x2	#3	x6	#7	x6
							

ASSEMBLY INSTRUCTIONS

STEP-2

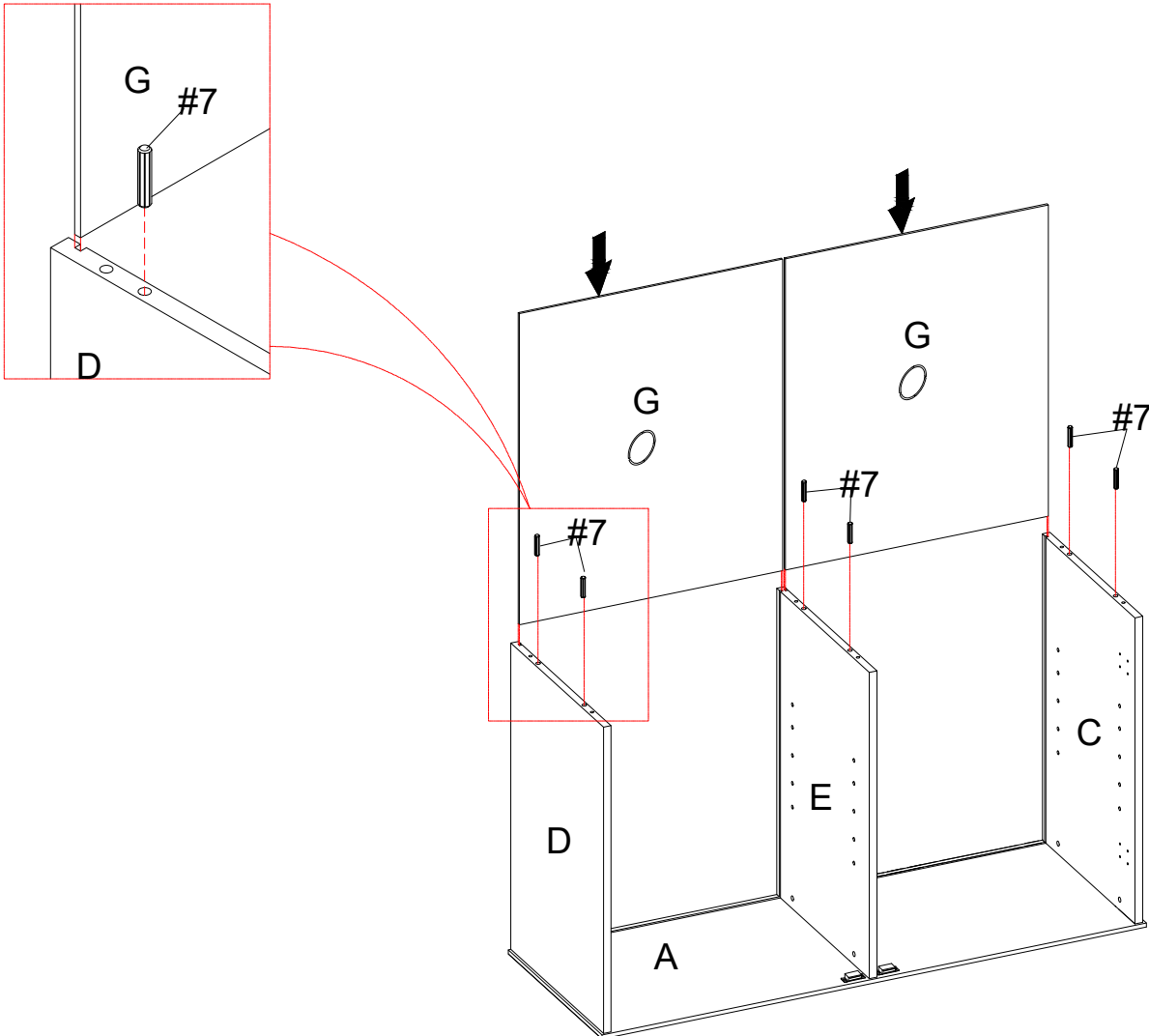
Connect the part A with part C&D&E. align the hole in the part C&D&E ,insert the bolt #3 and wooden dowel #7 in part A into part C&D&E. insert cam bolt #4 into the corresponding hole of side panel C&D&E, and tighten the nuts #4 with a screwdriver #15. After installation, cover the screw holes with #5. Make sure the groove is in same side as picture show.




#4	x6	#5	x6	#15	x1

ASSEMBLY INSTRUCTIONS

Manually insert #7 wooden dowels (C&D&E), slide in the part G into the groove in part D,E and E,C . make sure they are also in groove in part A.

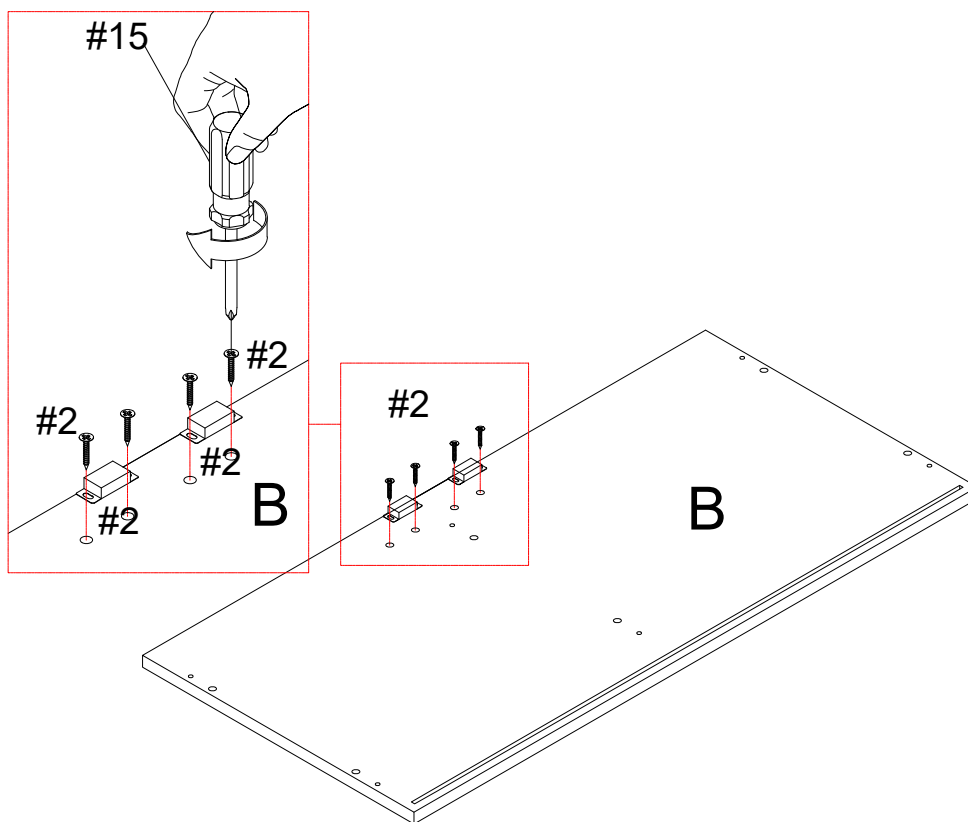


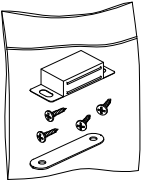
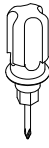
#7	x6
	

ASSEMBLY INSTRUCTIONS

STEP-4

Use bolt #2 to attach Magnetic device #2 to bottom panel (B) , tighten bolts with screwdriver #15.



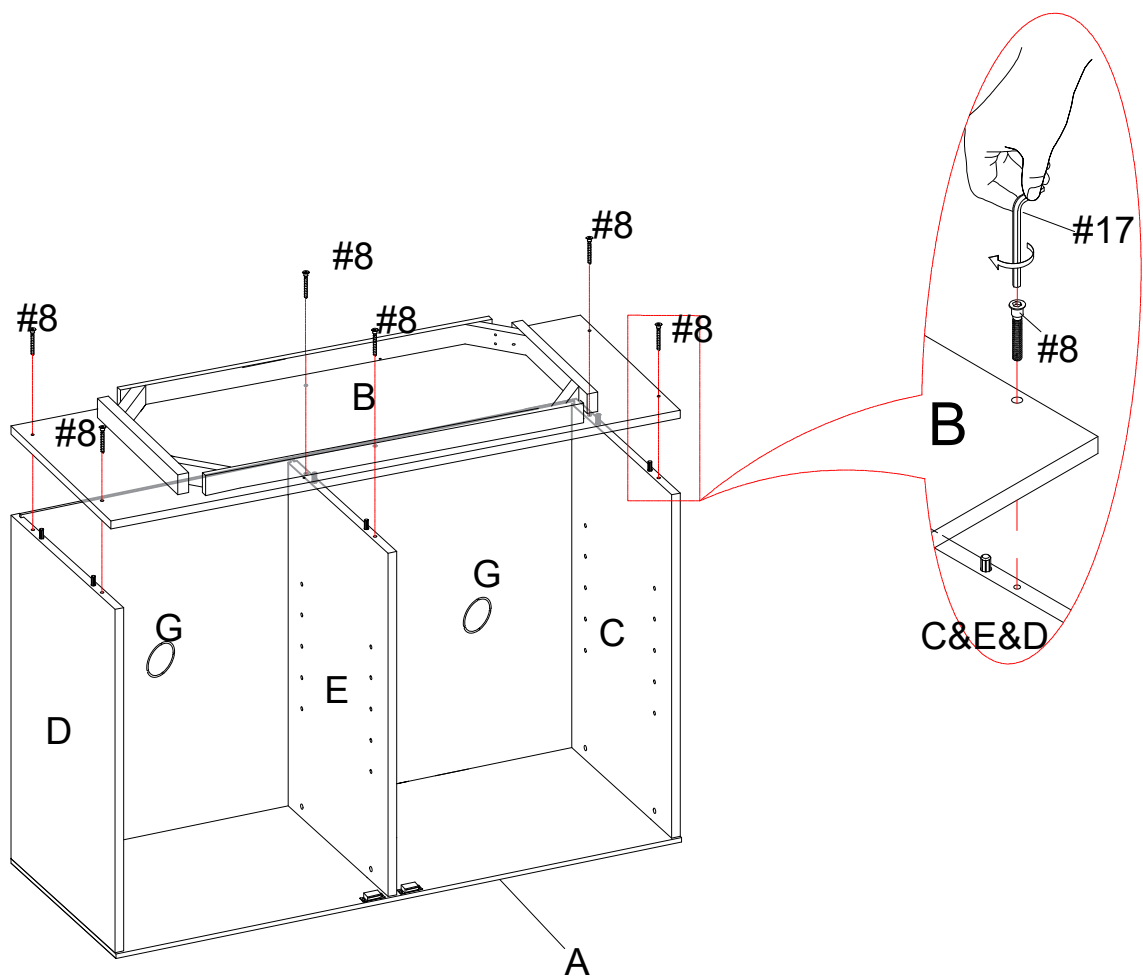
#2	x2	#15	x1
			


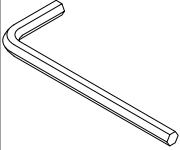
ASSEMBLY INSTRUCTIONS

STEP-5

Connect the part B the pre-assembled unit in step 3.

Then align the holes in part B, Insert screw #8 and push it down so that it connects to parts C&D&E. Next, and tighten the screw #8 with an Allen key #17.

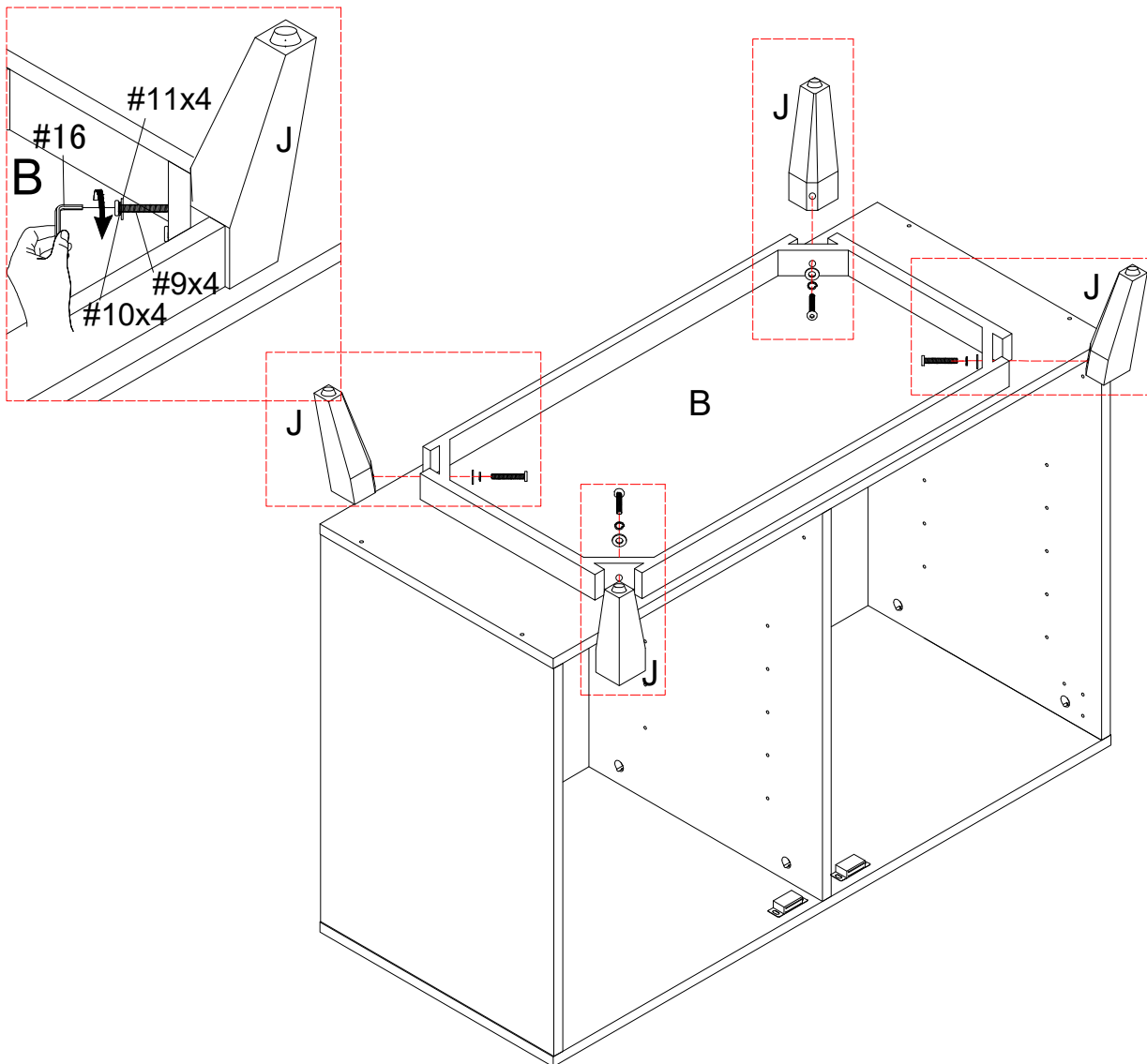


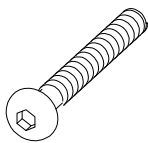


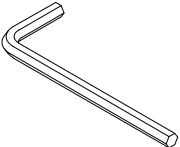
#8	x6	#17	x1
			
M6*50MM		M6	

ASSEMBLY INSTRUCTIONS

STEP-6

1. Insert gasket #10 and #11 in sequence into screw #9, install leg J) on of bottom panel (B), ensure the corresponding holes are aligned and fix with screw #9, then tighten the screw with an Allen key #16.

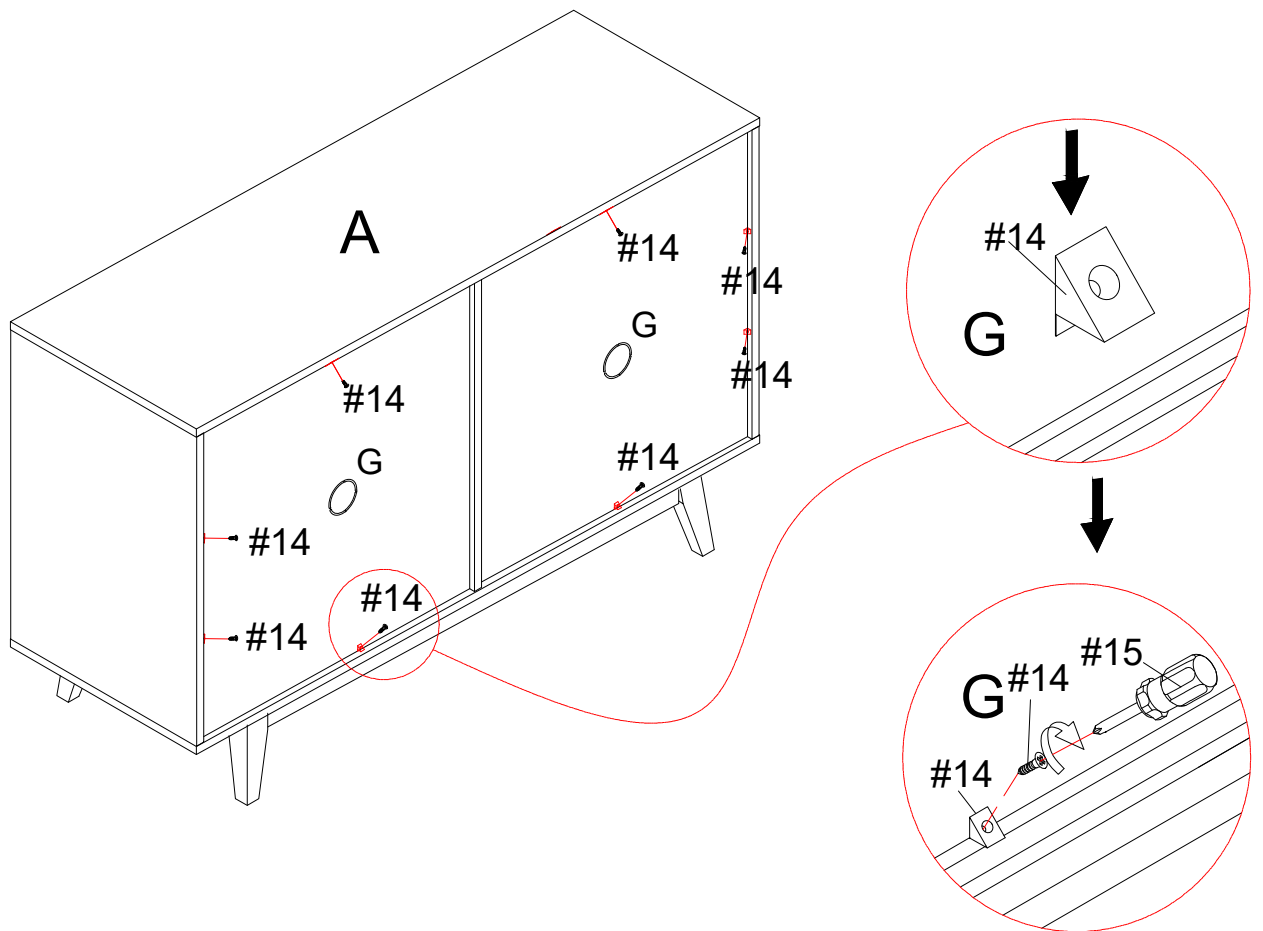


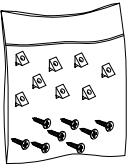
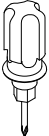
#9	x4	#10	x4	#11	x4	#16	x1
							
Ø8x50mm						M8	

ASSEMBLY INSTRUCTIONS

STEP-7


Insert hardware #14 into part (G) as shown, screw in screw #14 using screwdriver #15 and tighten fully.



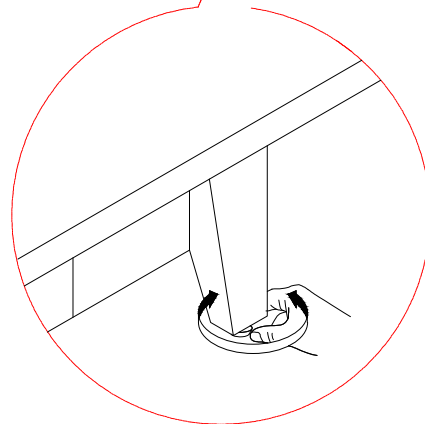
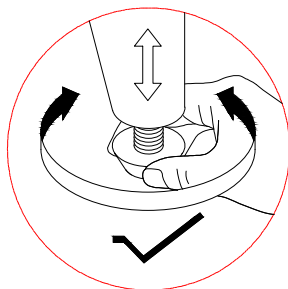
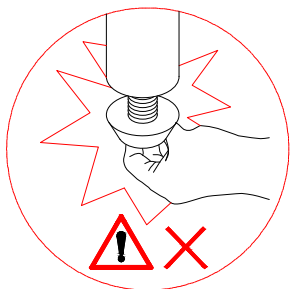
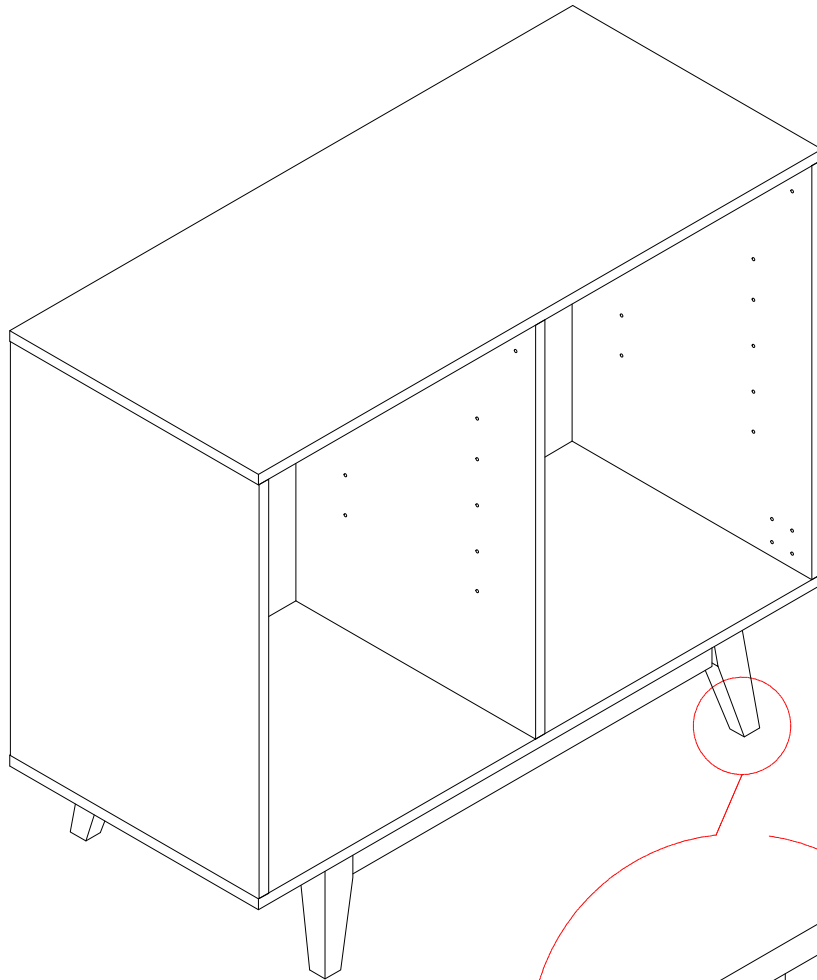
#14	x8	#15	x1
			

ASSEMBLY INSTRUCTIONS

STEP-8



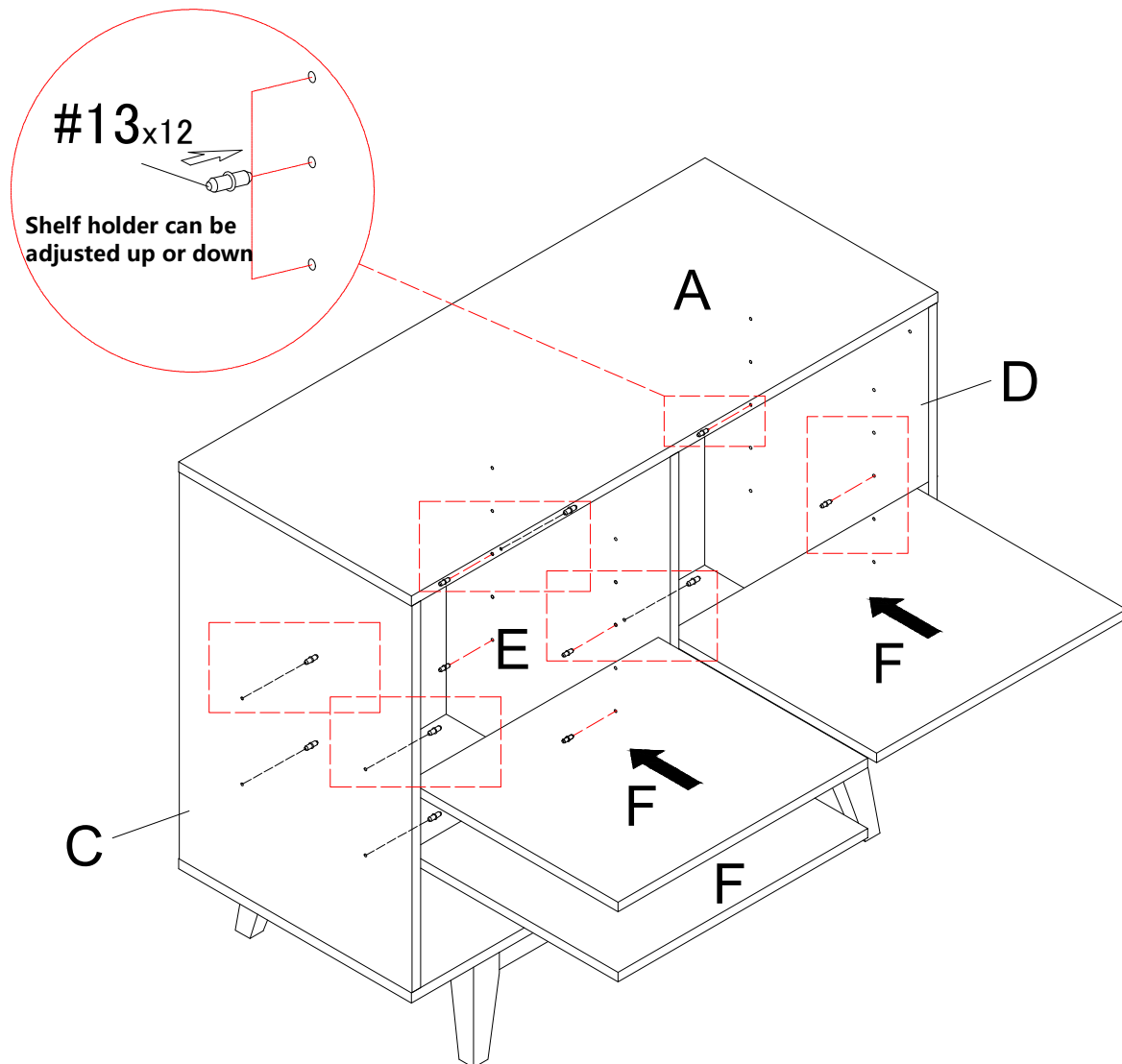
Attention:
After installation, adjust the adjustable leveler to keep the cabinet balanced .

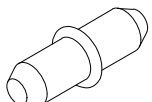


ASSEMBLY INSTRUCTIONS

STEP-9

1. Insert shelf holder #13 into the corresponding hole of panel (C)&(D)&(E) and then attach panel (F) to it.

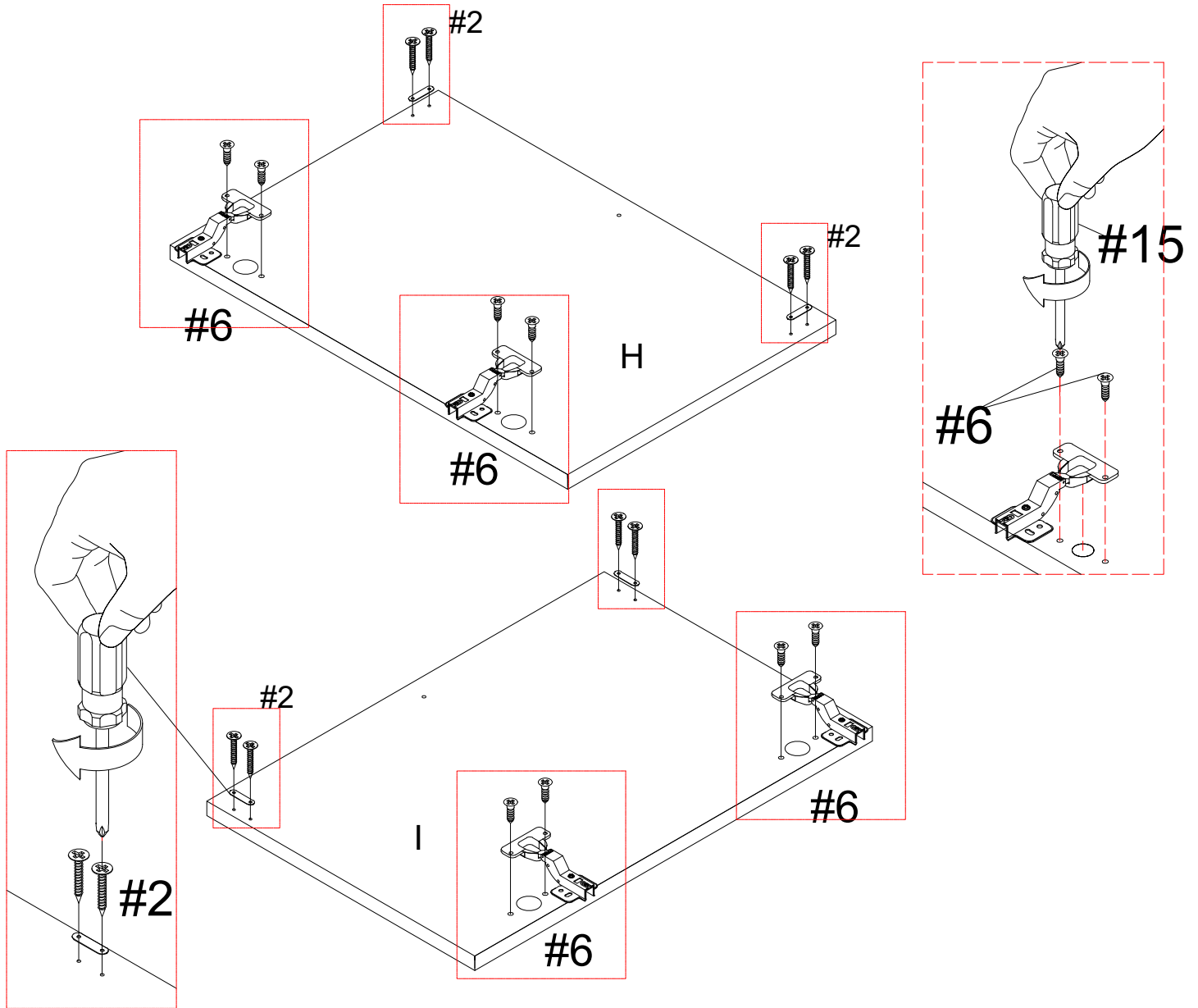


#13	x12
	

ASSEMBLY INSTRUCTIONS

STEP-10

1. Use screw #6 to attach hinge #6 to door (I&H) , tighten screw #6 with screwdriver #15. Use bolt #2 to attach Magnetic device #2 to door (I&J) , tighten bolts with screwdriver #15.

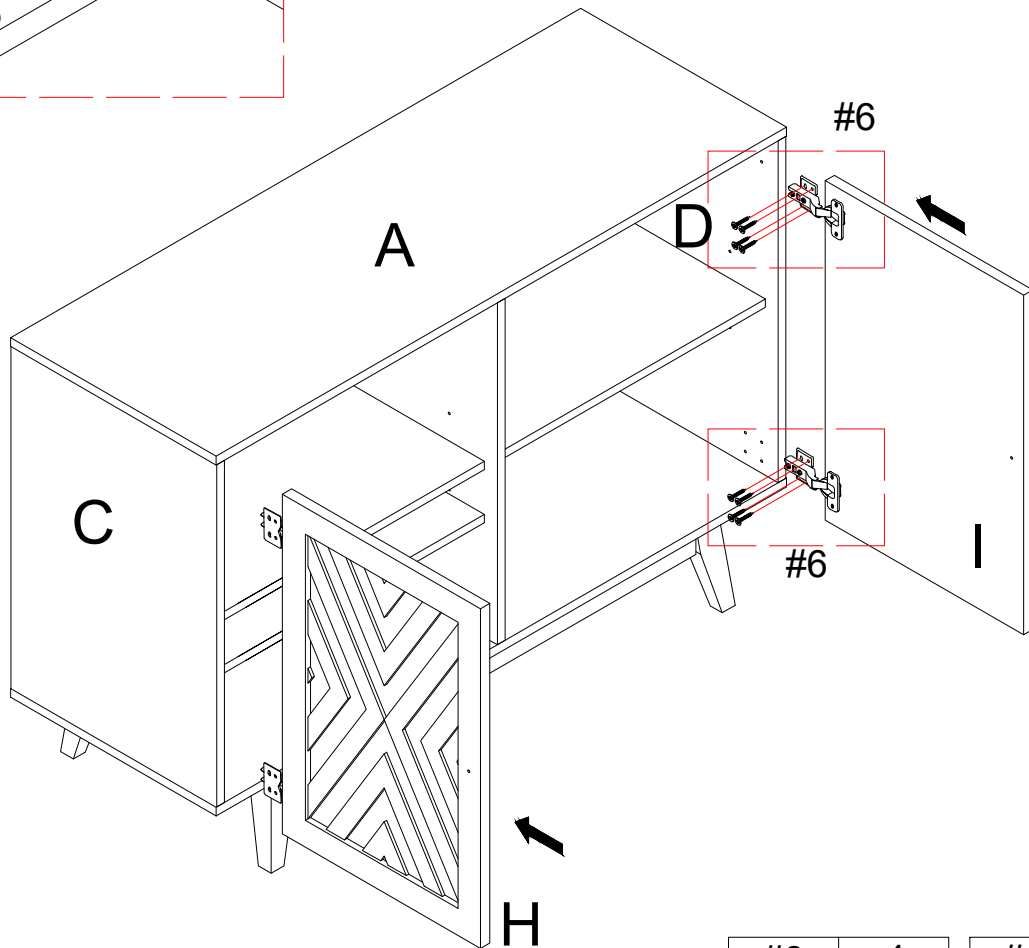
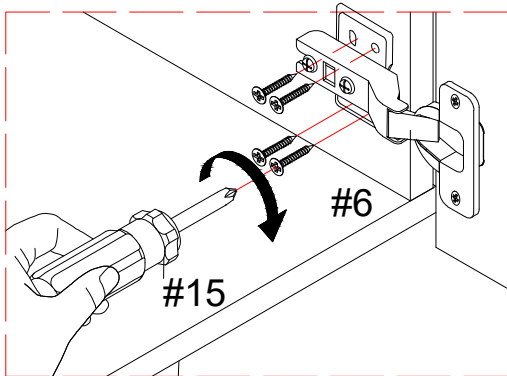


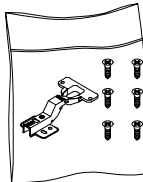
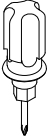
#2	x4	#6	x4	#15	x1

ASSEMBLY INSTRUCTIONS

STEP-11

Use screw #6 to attach left door (H) and right door (I) to pre-assemble unit at step 9 ,tighten screw #6 with screwdriver #15 .

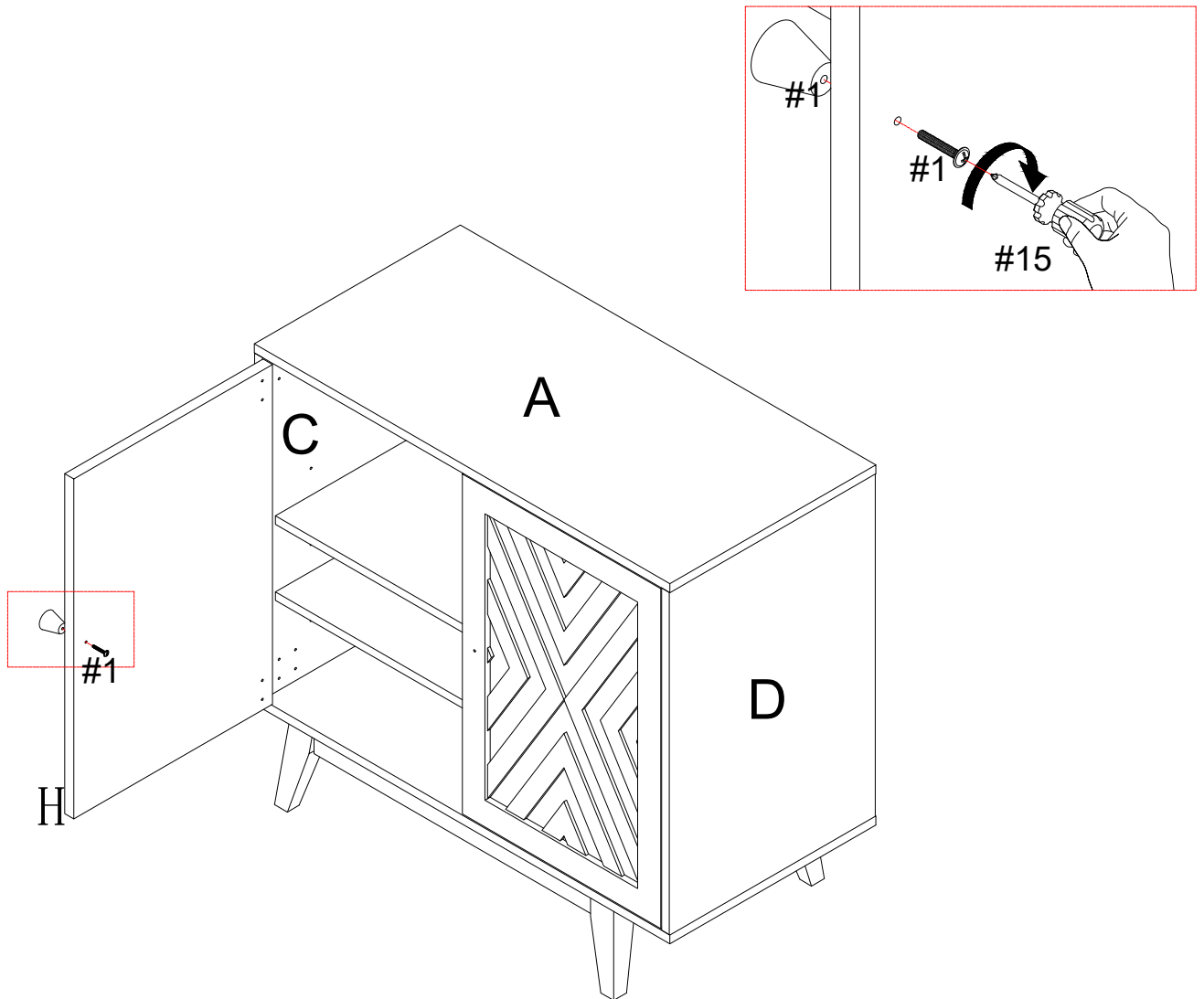


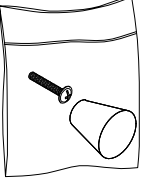
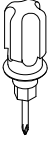
#6	x4	#15	x1
			

ASSEMBLY INSTRUCTIONS

STEP-12

Use bolt #1 to attach handle #1 to door panel (H), tighten bolts #5 with screwdriver #15.

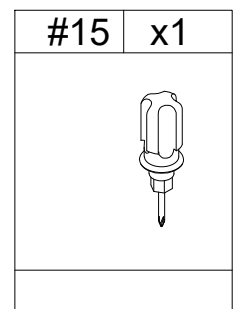
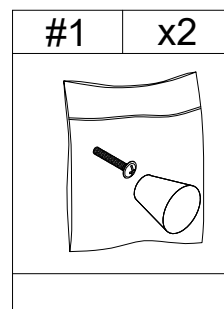
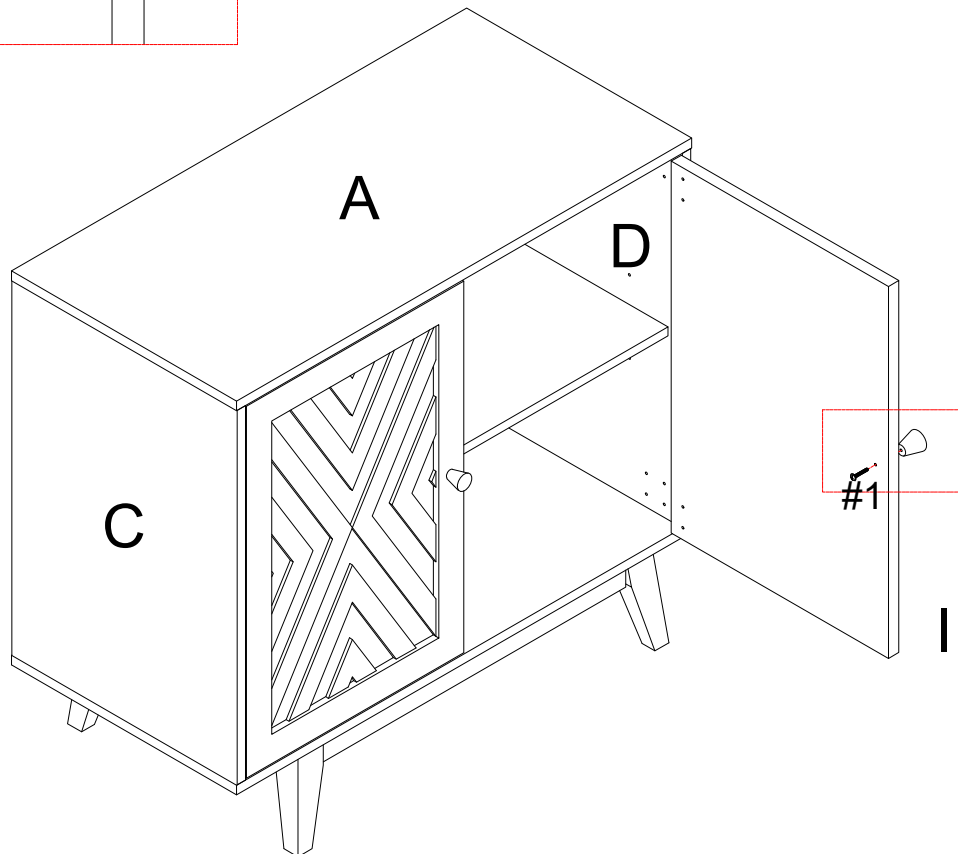
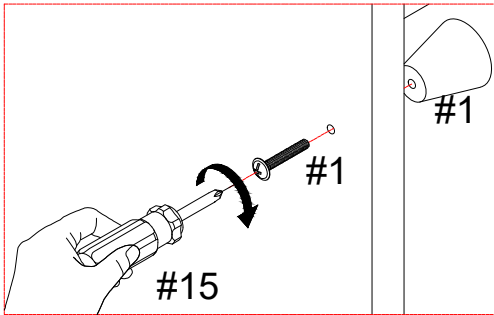


#1	x2	#15	x1
			

ASSEMBLY INSTRUCTIONS

STEP-13

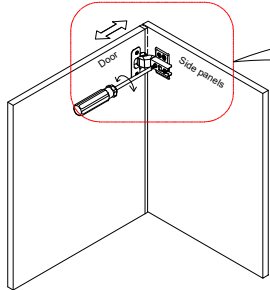
Use bolt #1 to attach handle #1 to door panel (I), tighten bolts #5 with screwdriver #15.



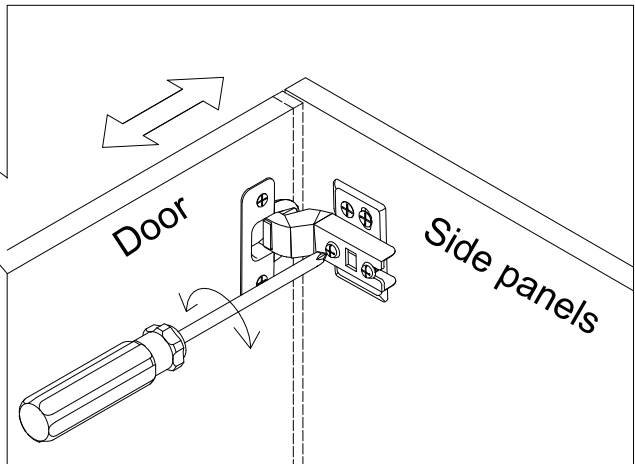
ASSEMBLY INSTRUCTIONS

STEP-14

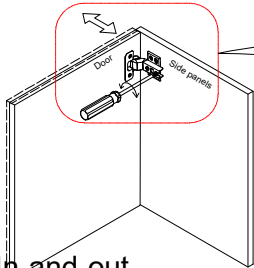
Concealed hinges are three-way adjustable:



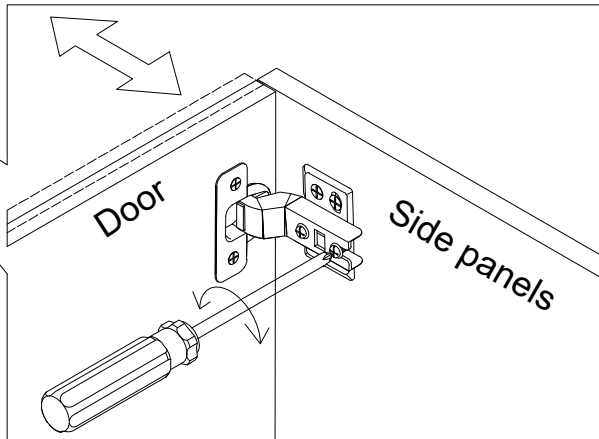
Horizontal
by screw adjustment!



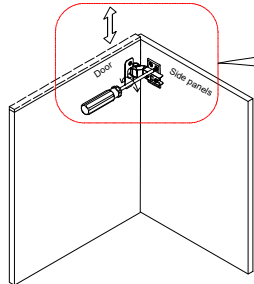
Concealed hinges are three-way adjustable:



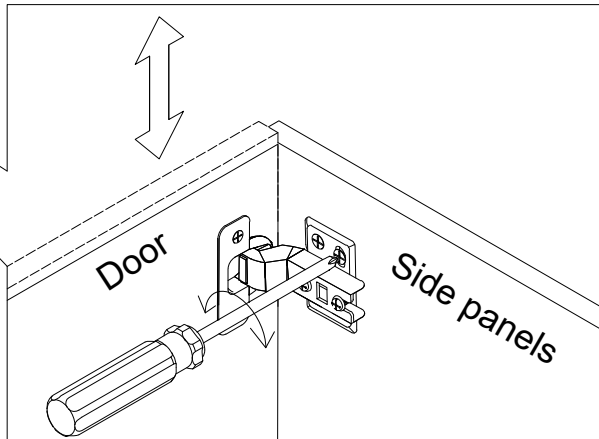
In-and-out
by loosening the hinge arm
mounting screw or via cam
adjustment!



Concealed hinges are three-way adjustable:



Vertical via slots in
the mounting plate
or via cam adjustment!

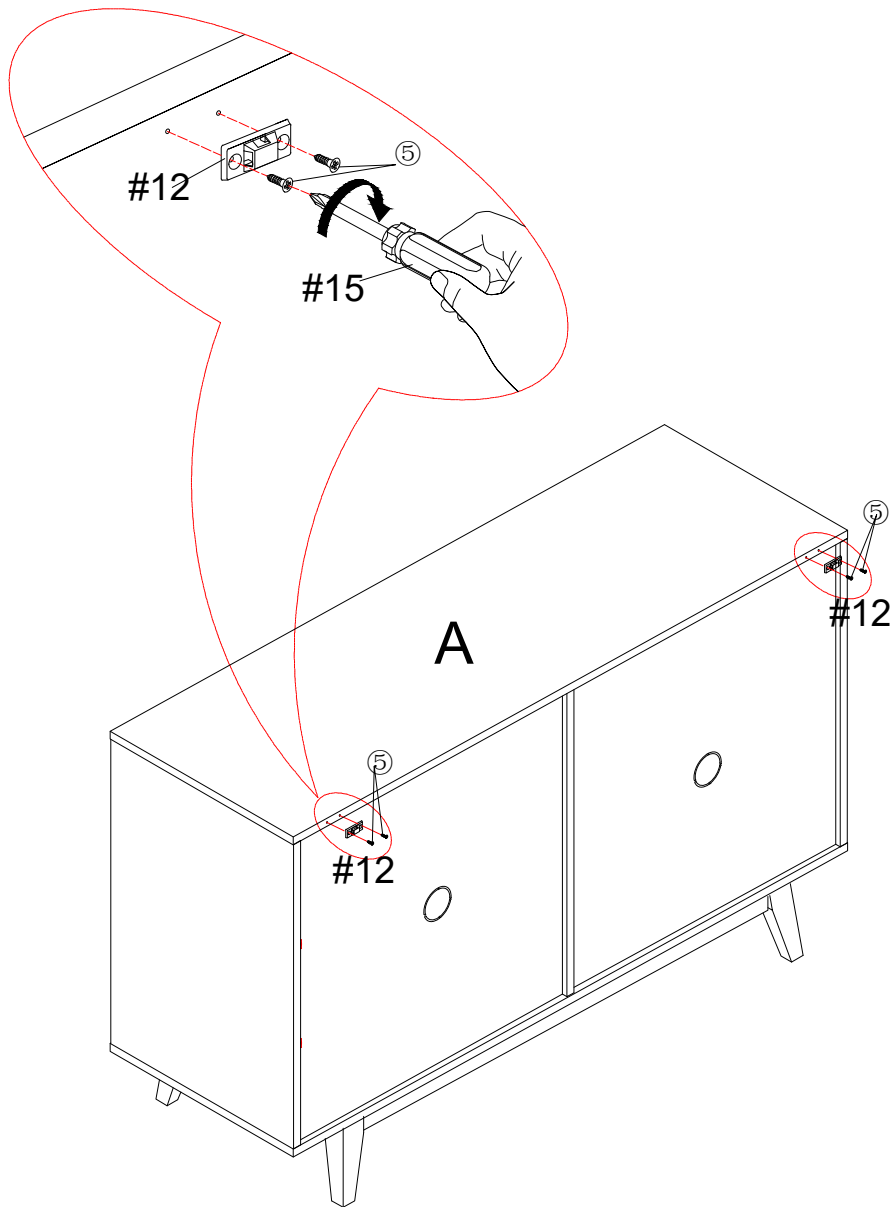


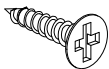

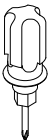
Hinge adjustment method

ASSEMBLY INSTRUCTIONS

STEP-15

Use nylon packaging #12 Inside screw (5) to attach bracket (1) to the corresponding hole of top panel(A), tighten screw with screwdriver #15.



(5)	x4	#12	x2	#15	x1
					

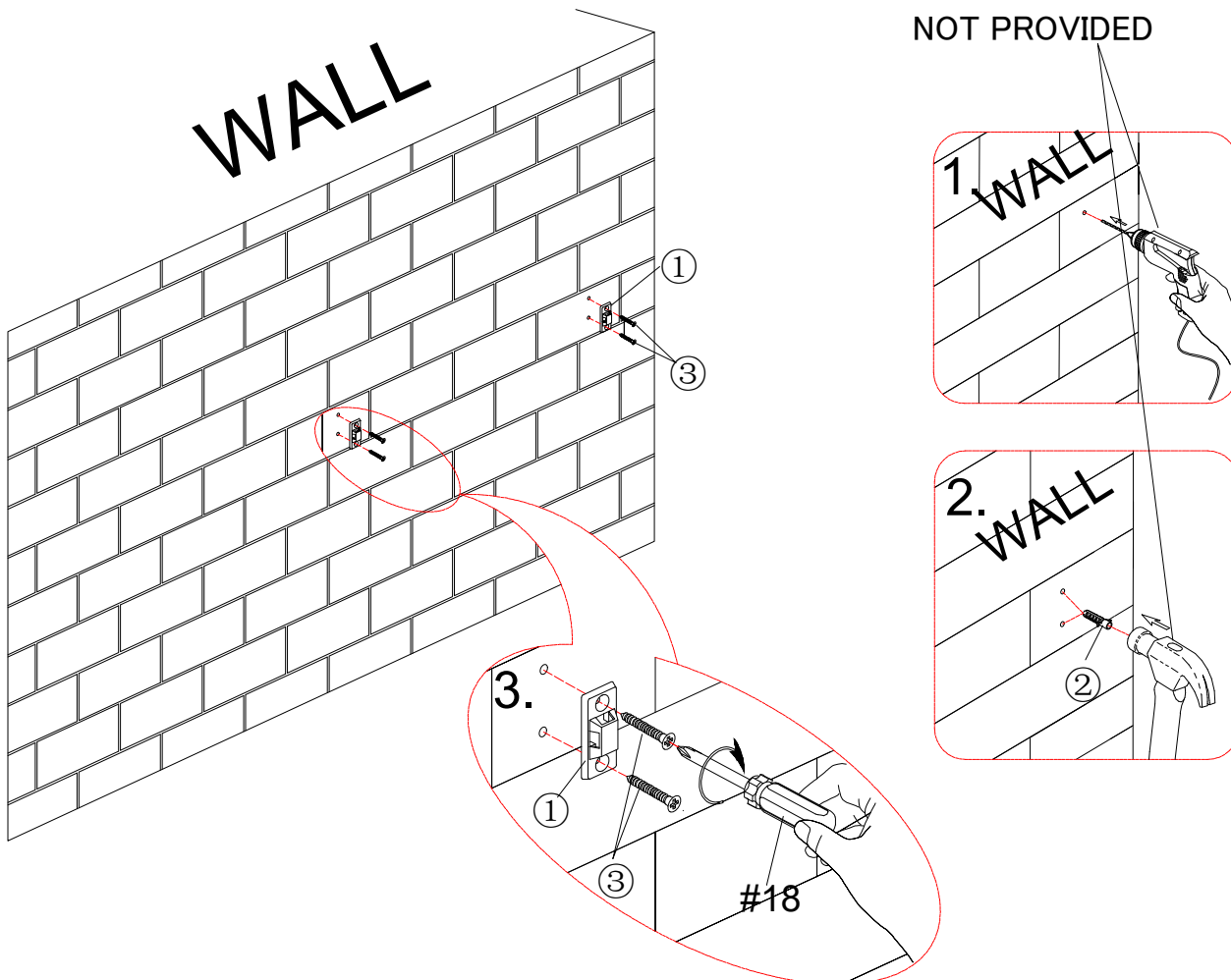
ASSEMBLY INSTRUCTIONS

#12	x2	#16	x1	①	x2	②	x4	③	x4

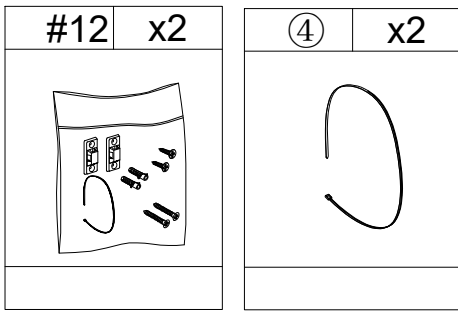
STEP-16

1. Mark the position on the wall, that corresponds to the location of bracket ① on the back of top panel A; Drill and insert the expandable screw ② by hammer.

2. Assemble the bracket ① to the wall. Align the hole in the bracket ① with the expandable screw ②, use screw ③ to attach it, tighten screw ③ with screwdriver #15.

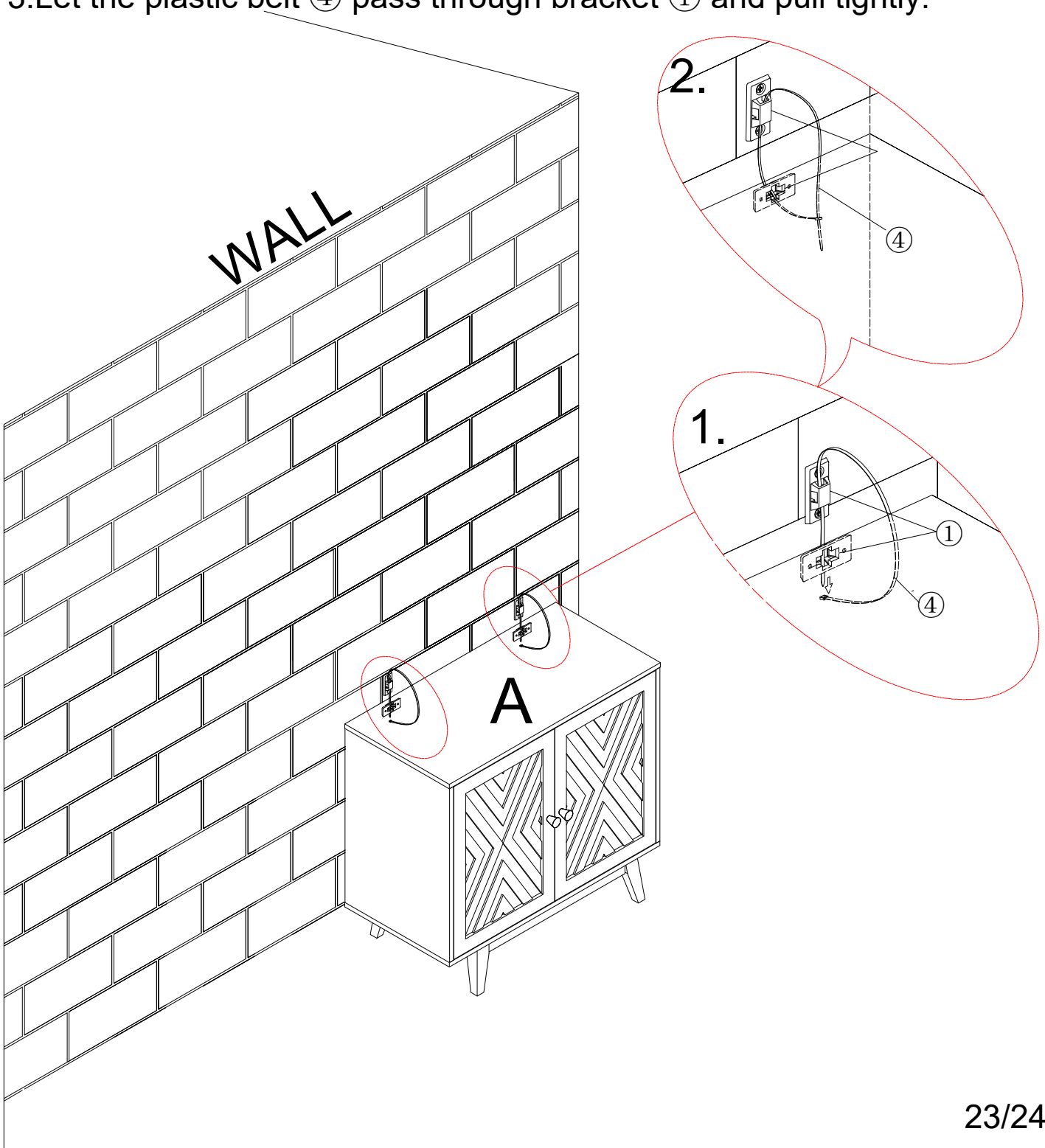


ASSEMBLY INSTRUCTIONS



STEP-17

3. Let the plastic belt ④ pass through bracket ① and pull tightly.



WARRANTY

1. We strive to offer high-quality products, and we also try our best to satisfy each and every customer that orders from us with product or service as needed.
2. We provide 30 days warranty starting from the time you receive the item. Each customer must provide a record of their order such as the order number, or item receipt for any items that are out of the warranty period you may also still receive.
3. Replacement parts by purchasing them with our company if they are available.

Appreciate your purchasing from us.
Pop up your life by our furniture piece!