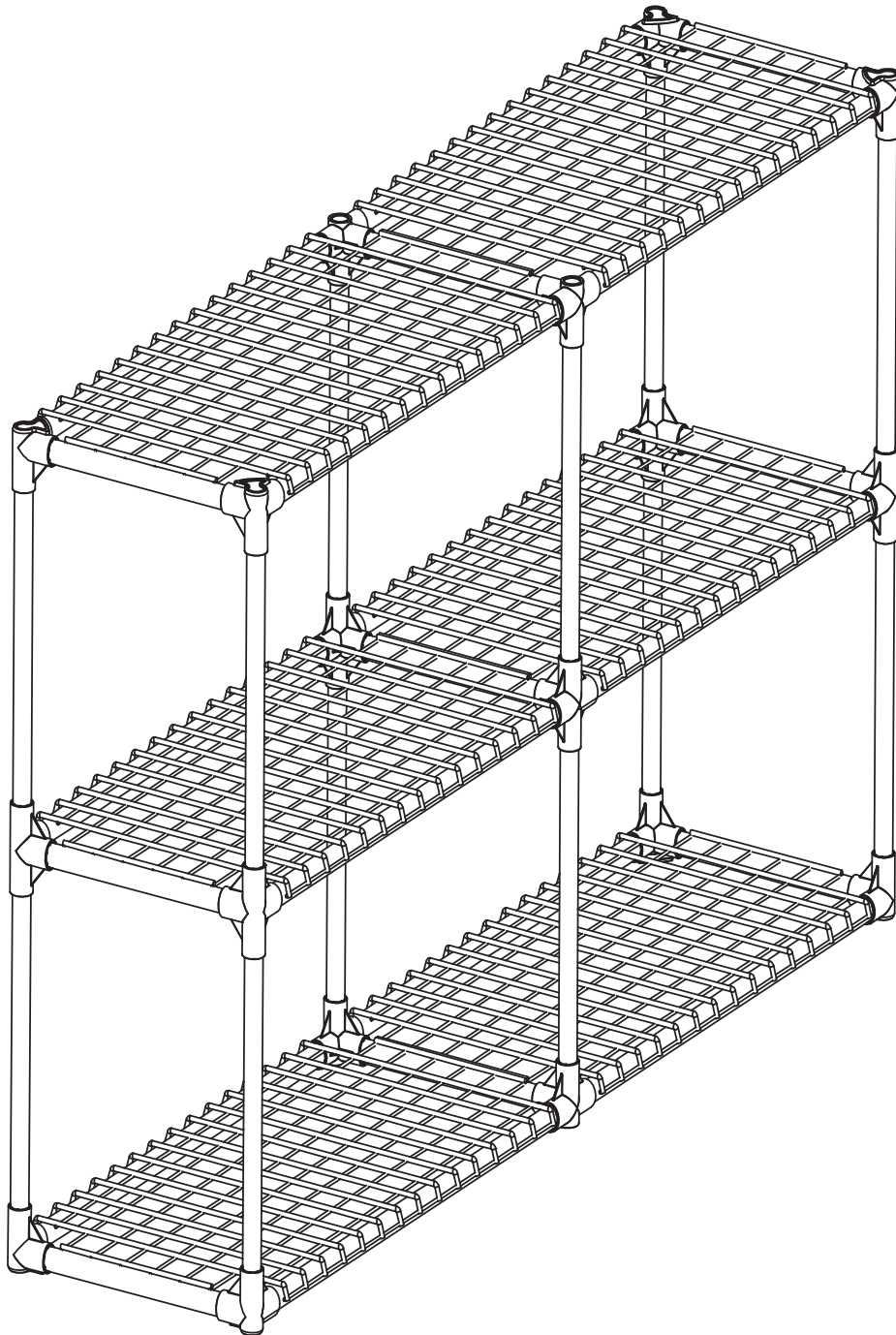


Storage Shelving Assembly Instructions



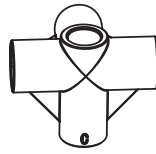
2 Set 3 Tier Accessories Table



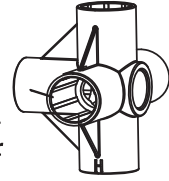
A 21pcs
Cable tie



B 8pcs
Three-way connector



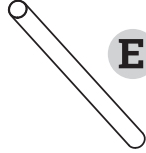
C 8pcs
Four-way connector



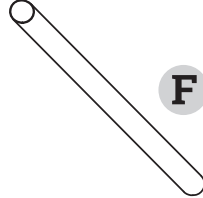
H 2pcs
Five-way connector



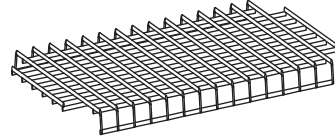
D 9pcs
Vertical pipe



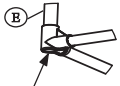
E 12pcs
Upright pipe



F 12pcs
Horizontal pipe



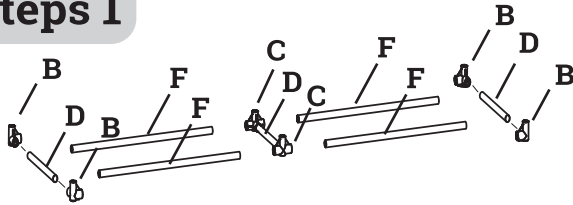
G 6pcs
Mesh panel



Note: Use the right direction

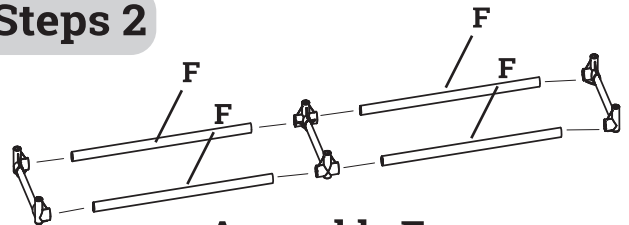
Assemble Steps

Steps 1



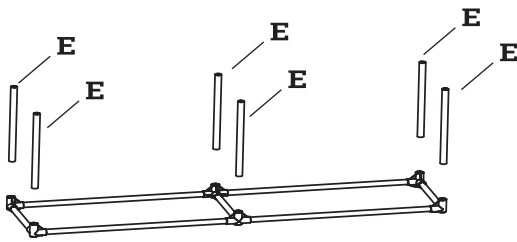
Assemble B.D and C.D

Steps 2



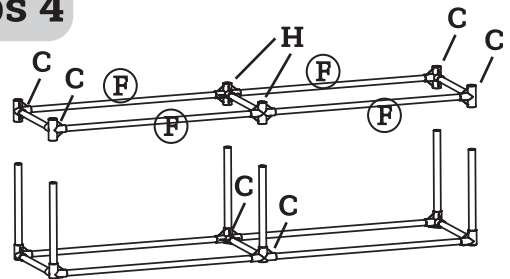
Assemble F

Steps 3



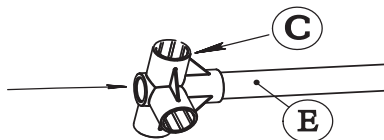
Assemble E

Steps 4

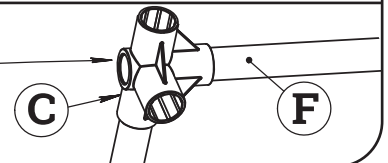


Similarly, assemble C.D and H.D

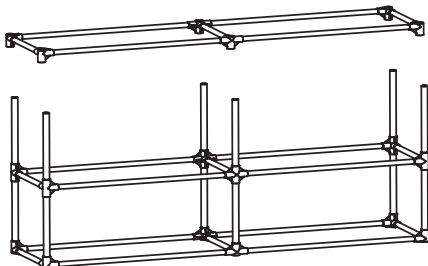
Note: Use the right direction



Note: Use the right direction

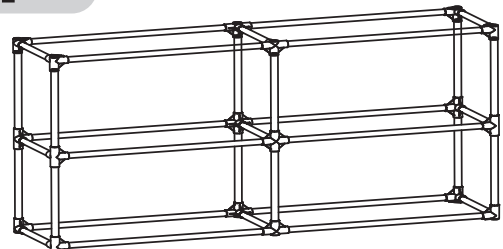


Steps 5



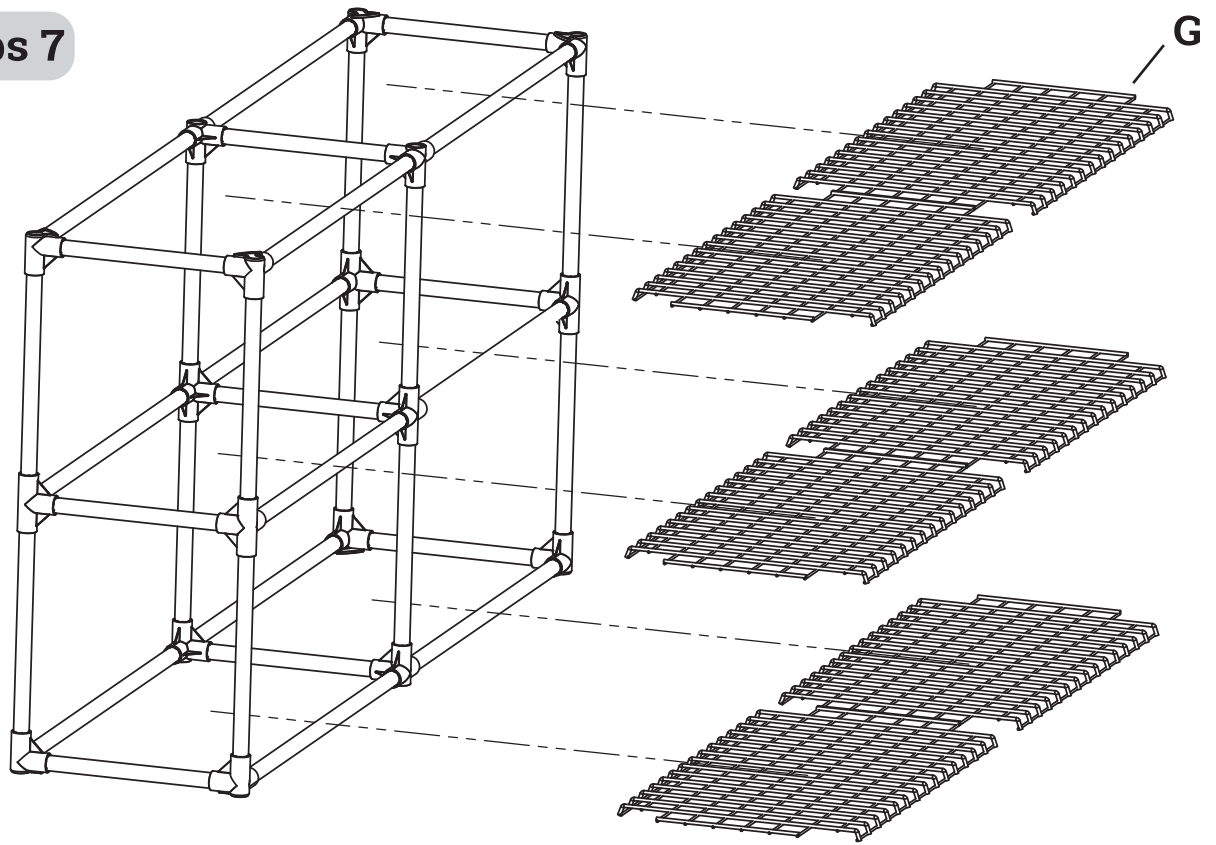
Similarly, assemble the frames for the other layers

Steps 6



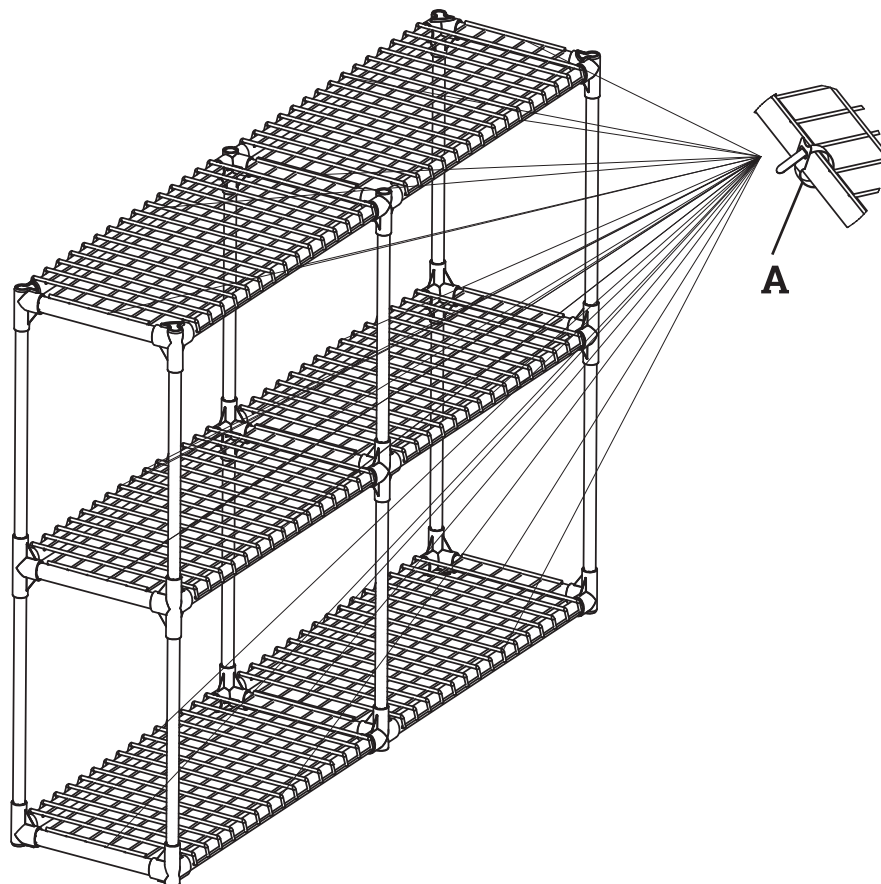
Connect all frames together

Steps 7



Place the mesh layers

Steps 8



Fasten the straps according to the diagram