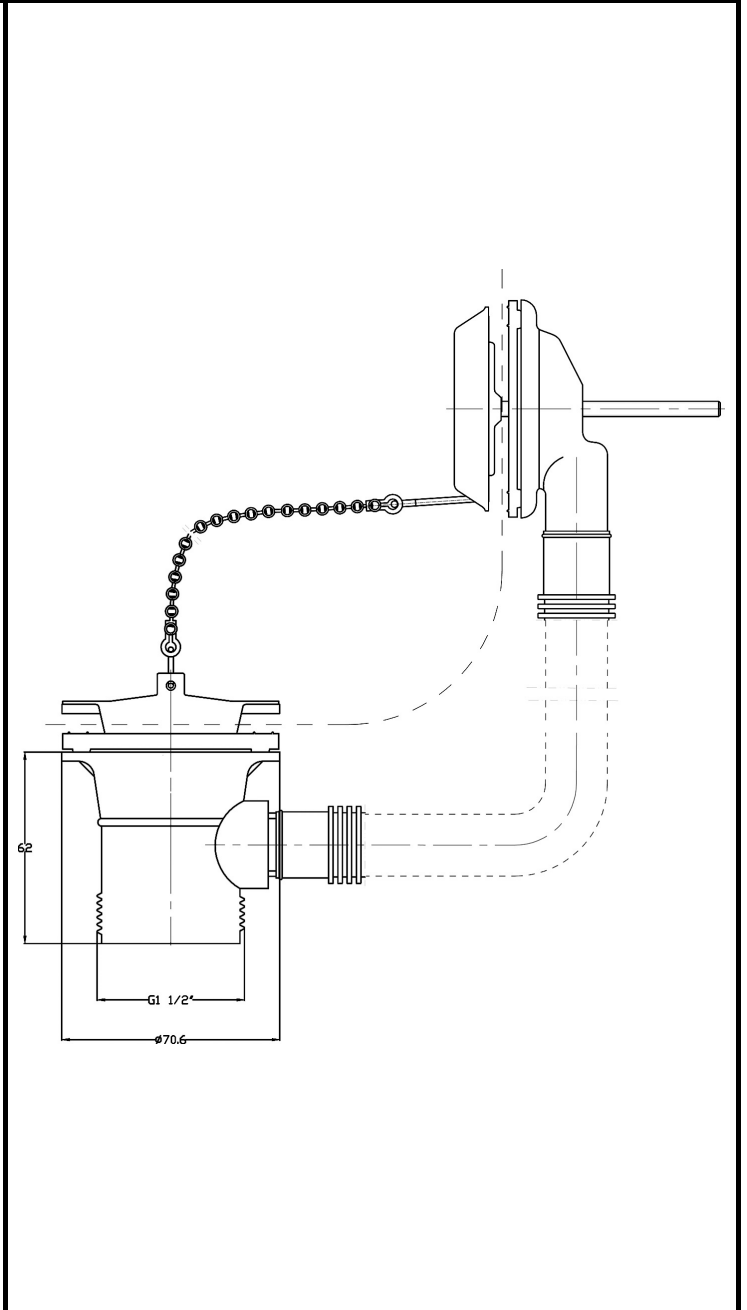


CUSTOMER DATA SHEET - WASTES & EXTRAS

SALES CODE: E347

DESCRIPTION: Retainer Bath Waste Brass & Ball Chain



PRODUCT DIMENSIONS

Height (mm)	Width (mm)	Length (mm)	Depth (mm)	Nett Wgt Kg
70	70		62	0.26

PACKAGING DIMENSIONS

Height (mm)	Width (mm)	Depth (mm)	Gross Wgt Kg
120	80	155	0.28

PACKAGING DATA

Box Colour	White Cardboard Box		
Box Qty	1	Label Colour	White Label
Label Size	100 x 50	Label Qty	2

OUTER BOX DIMENSIONS (If Applicable)

Height (mm)	Width (mm)	Length (mm)	Depth (mm)	Gross Wgt Kg
Barcode	5055146100355			

PRODUCT DETAILS

Country of Origin	China	CE Certification	N/A
Fitting Instruction	No	Colour/Finish	Chrome
Product Material	Brass	Product Diameter	70mm
Heating Element Wattage	Not Applicable	Connection Size	1 1/2"