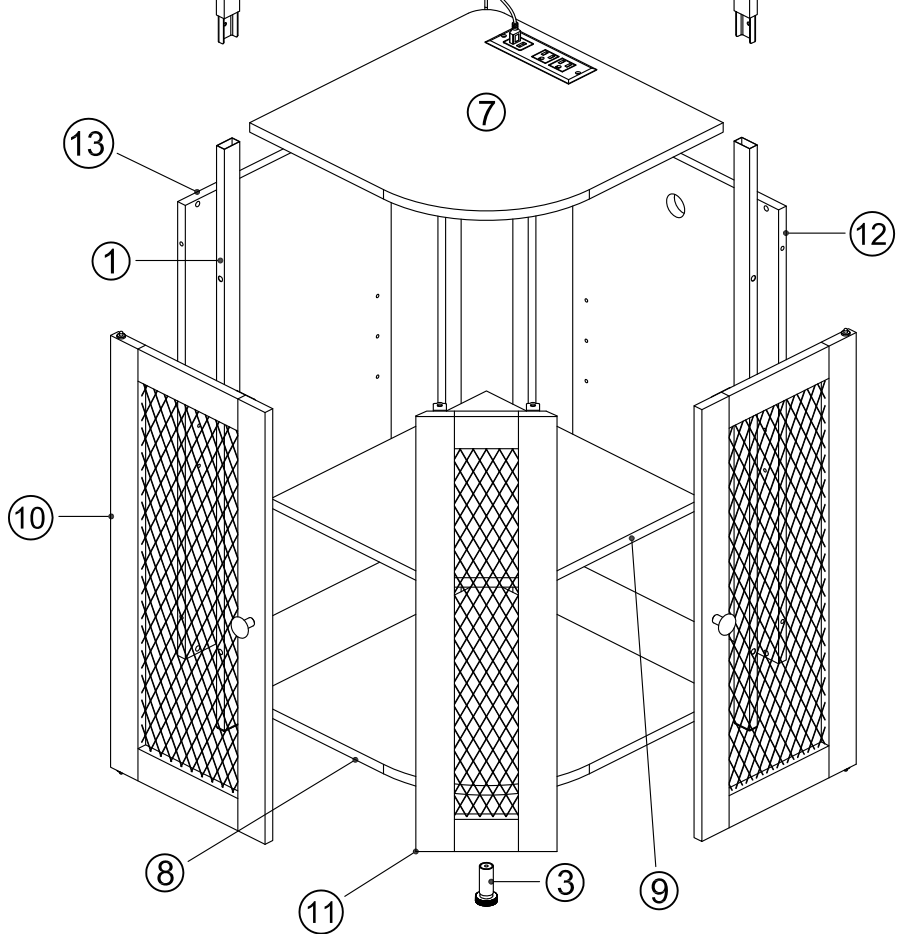
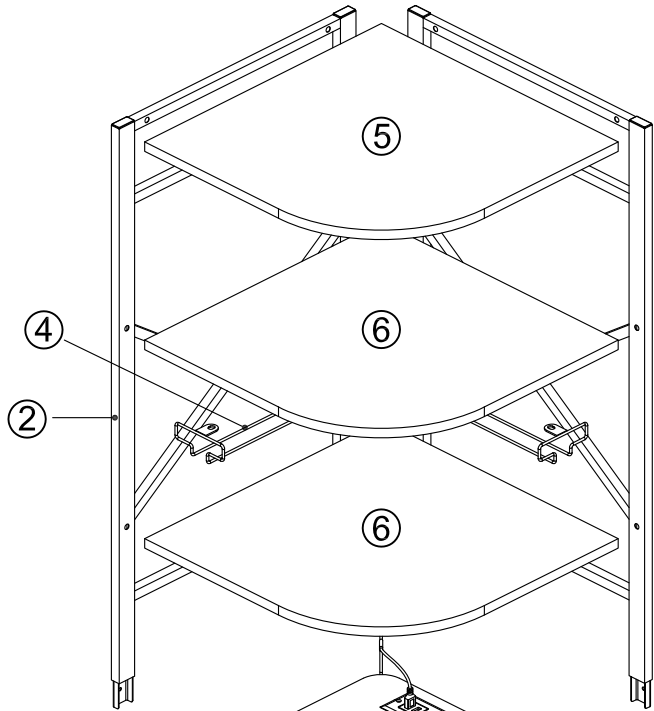
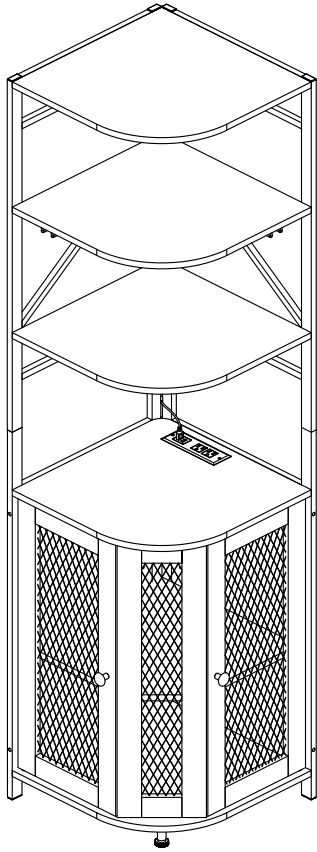


INSTALLATION INSTRUCTION



NO.	PICTURE	SIZE	QTY
A		Ø30	1
B		Ø6X12L	12
C		Ø7X48L	20
D		Ø7X58L	8
E		Ø3.5X14	4
F		Ø3.0*12L	4
G		Ø4.0*11.6L	2
H			2
I			4
J			2
K			2
L			2
N			6
M		Ø4X15L	2
O		Ø6X30L	1
P			1
Q		M4	1
R			1
S		X6 X6	1
T	X1 X1 X1		1

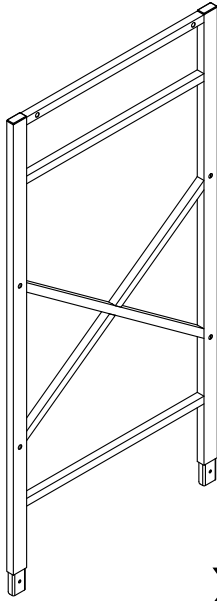
ASSEMBLY INSTRUCTION

①



X4

②



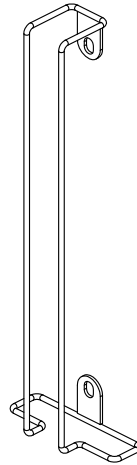
X2

③



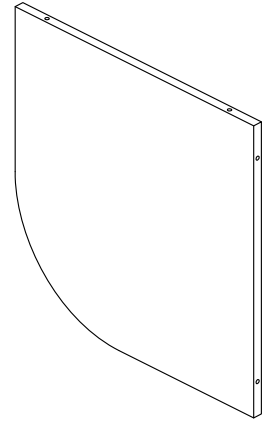
X1

④



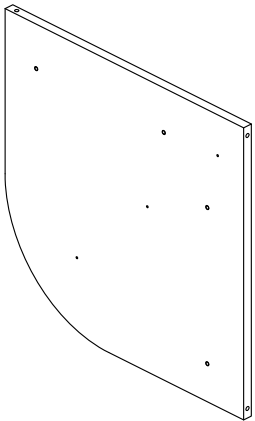
X2

⑤



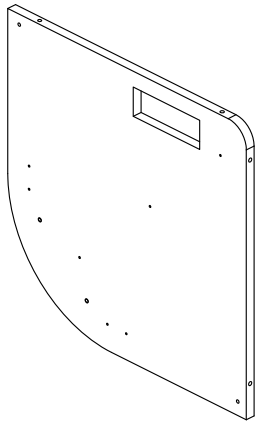
X1

⑥



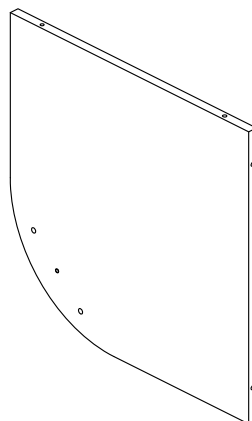
X2

⑦



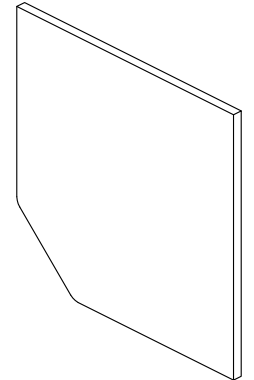
X1

⑧



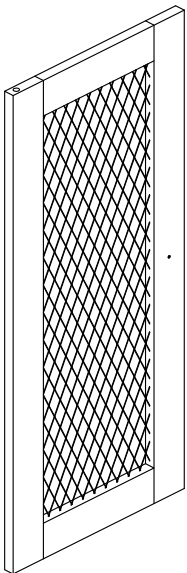
X1

⑨



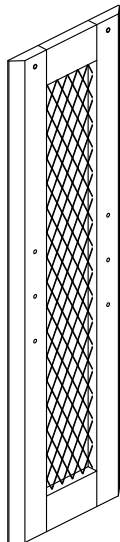
X1

⑩



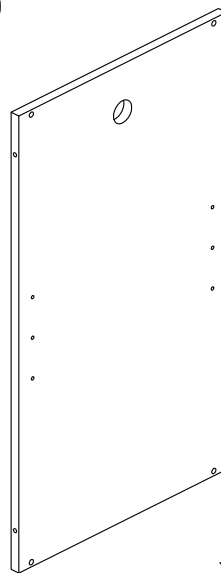
X2

⑪



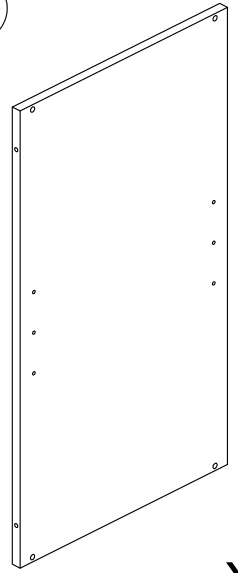
X1

⑫



X1

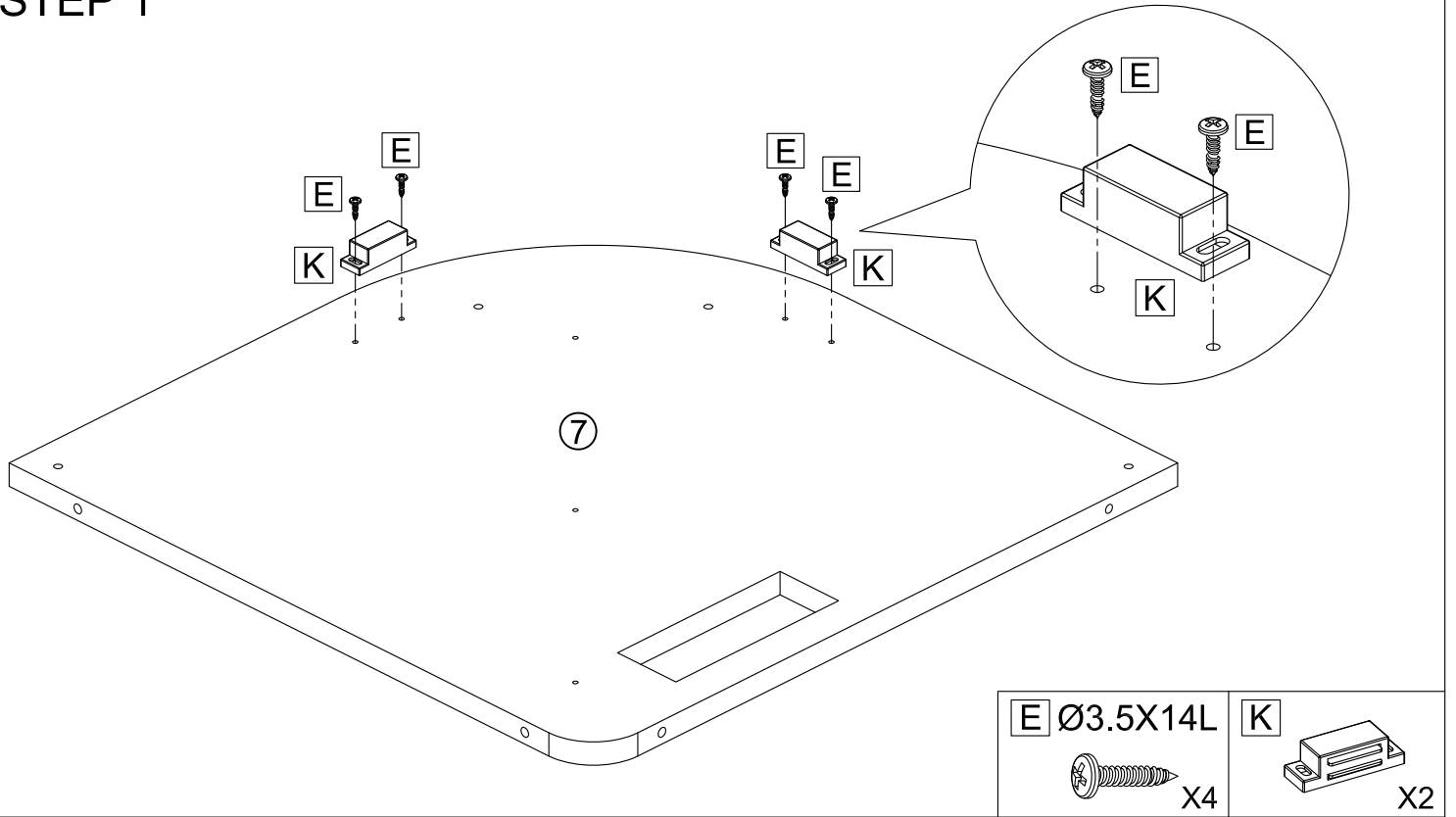
⑬



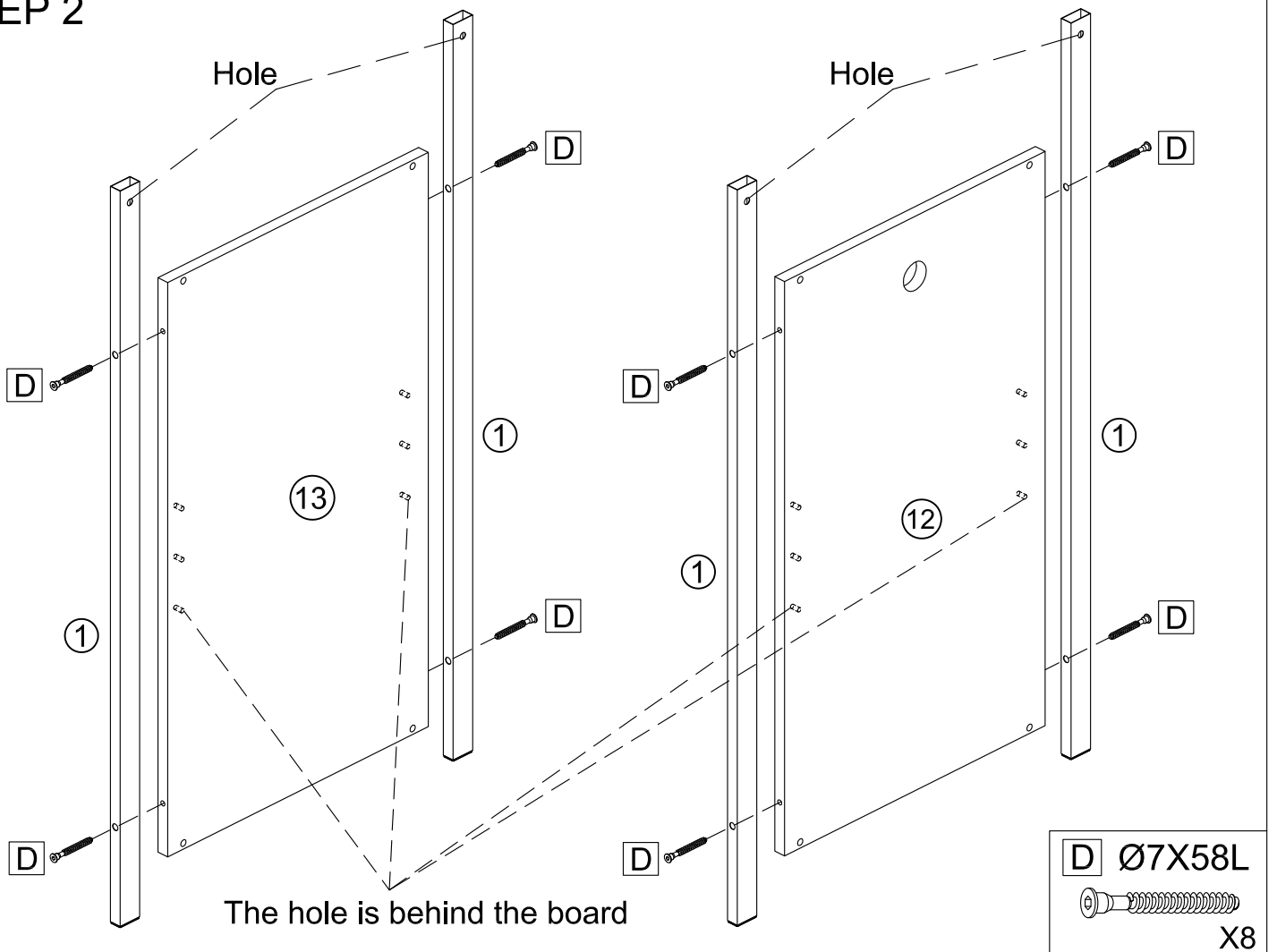
X1

INSTALLATION INSTRUCTION

STEP 1

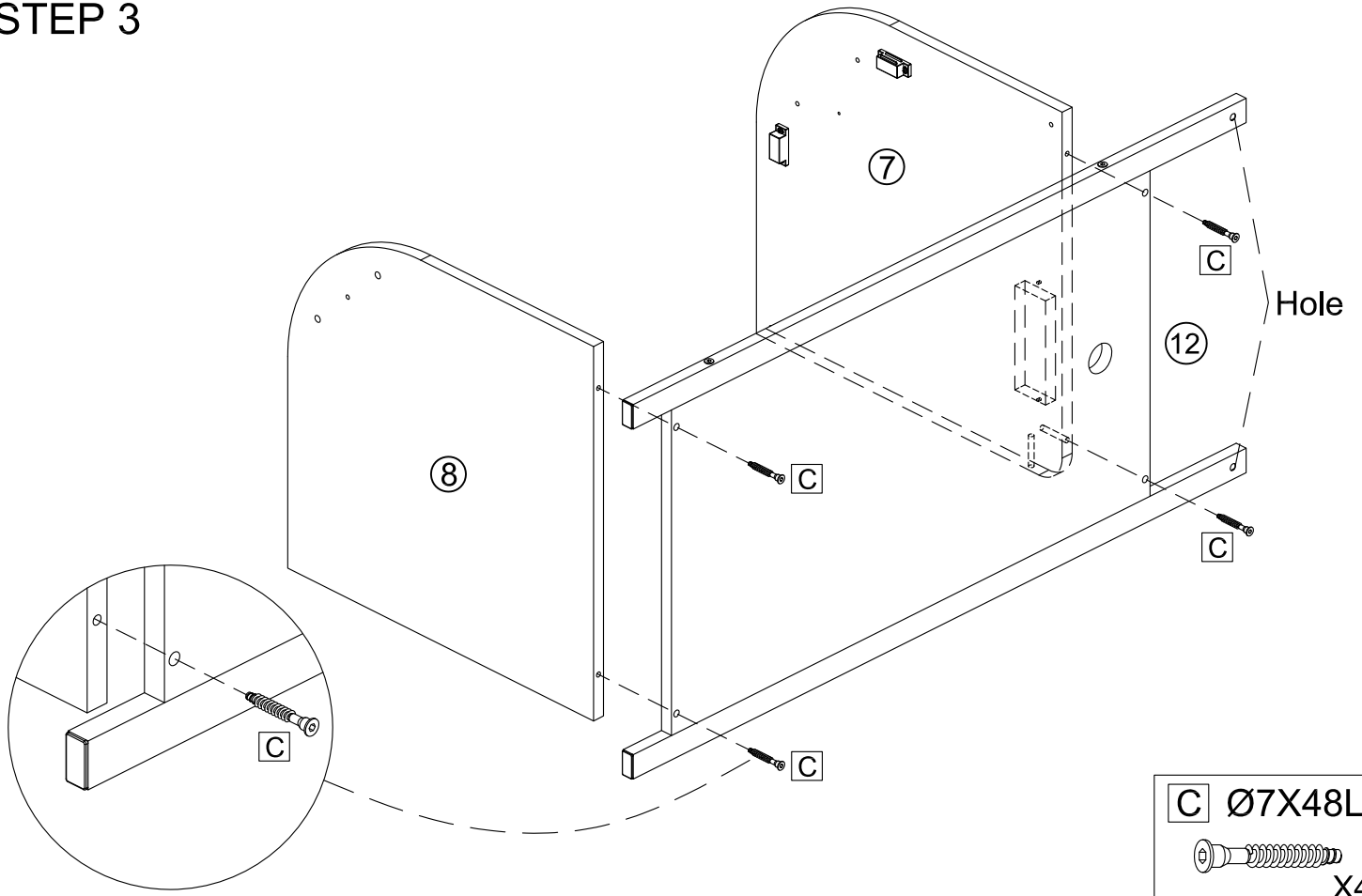


STEP 2

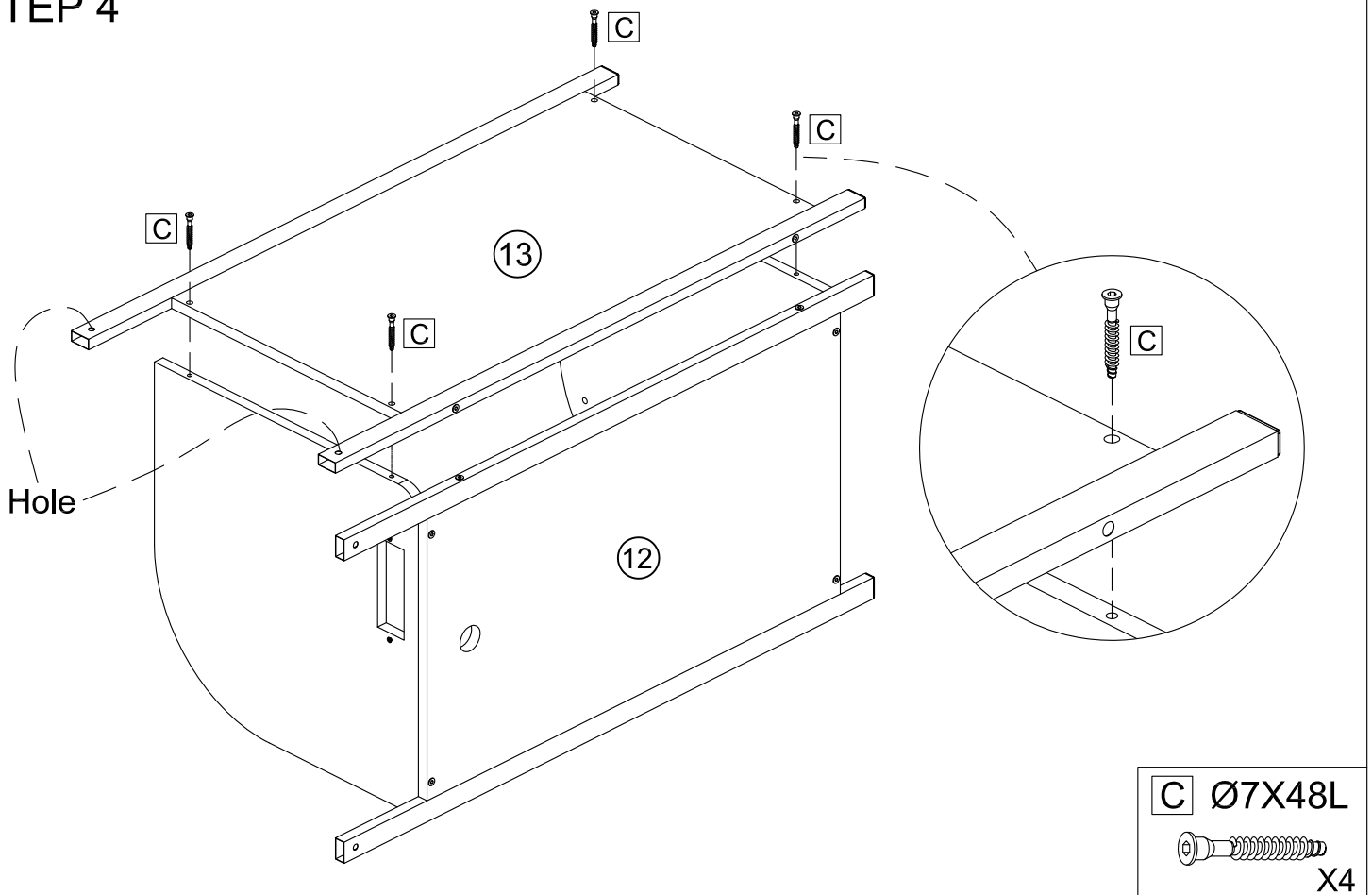


INSTALLATION INSTRUCTION

STEP 3

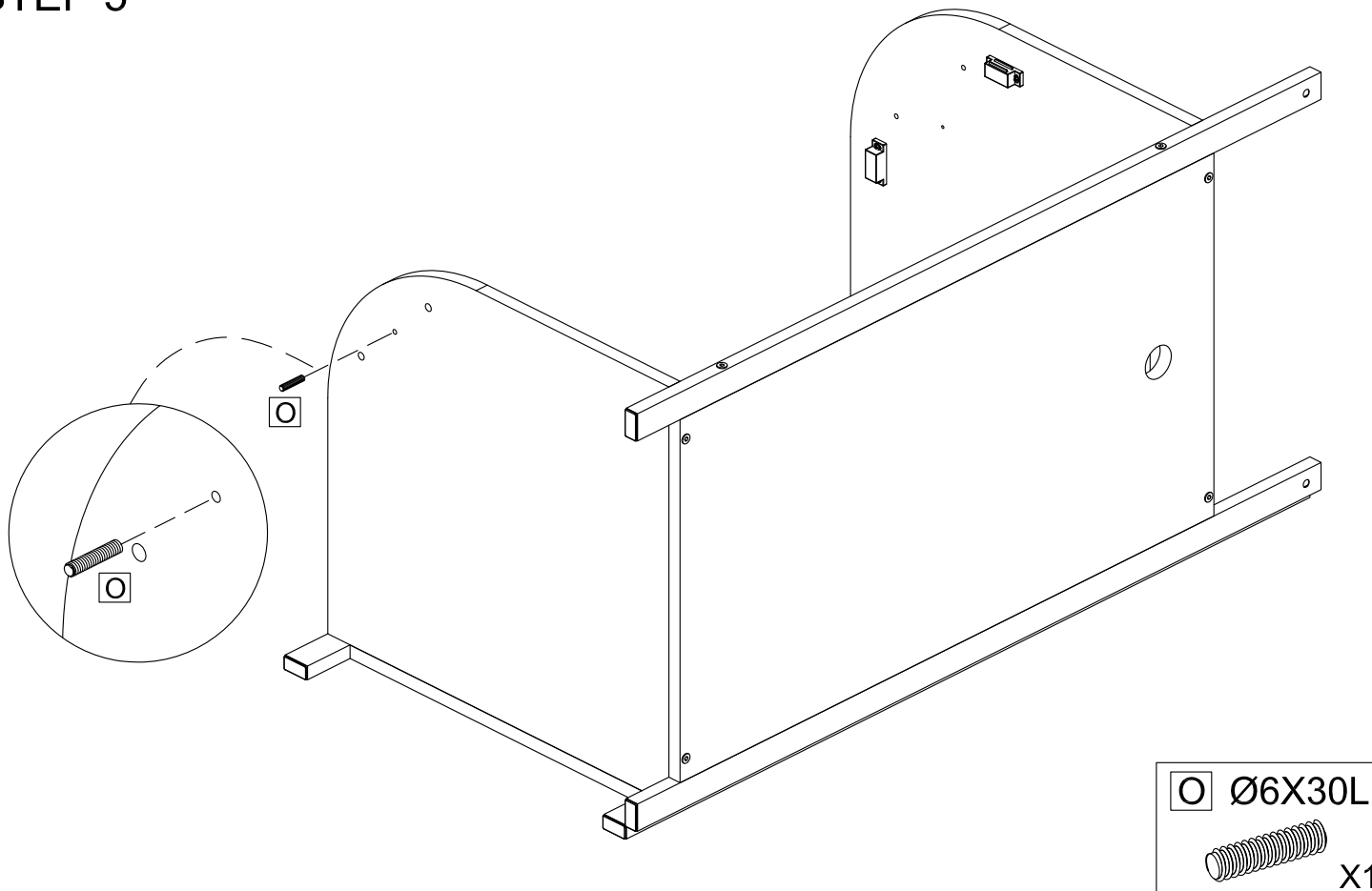


STEP 4

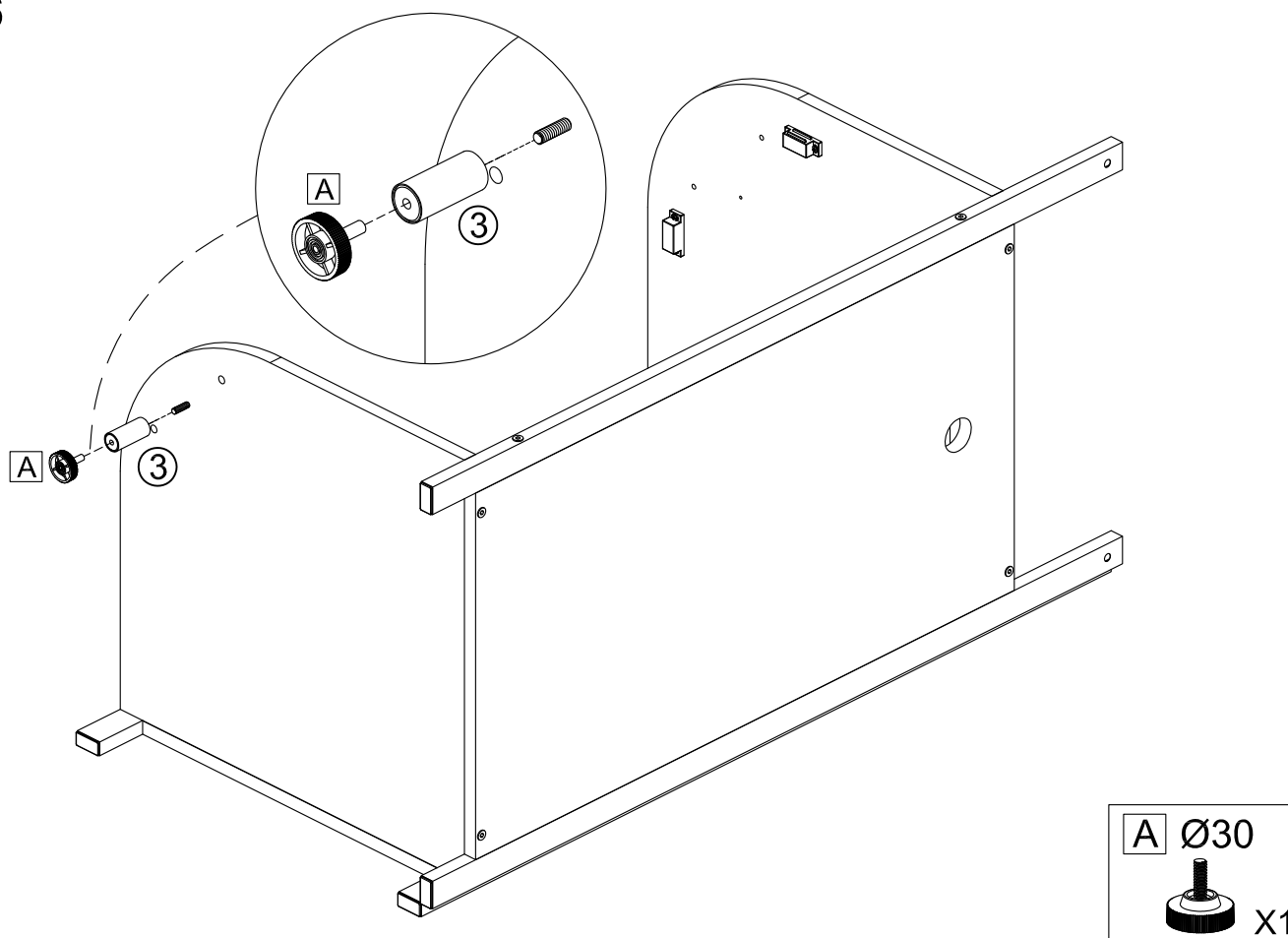


INSTALLATION INSTRUCTION

STEP 5

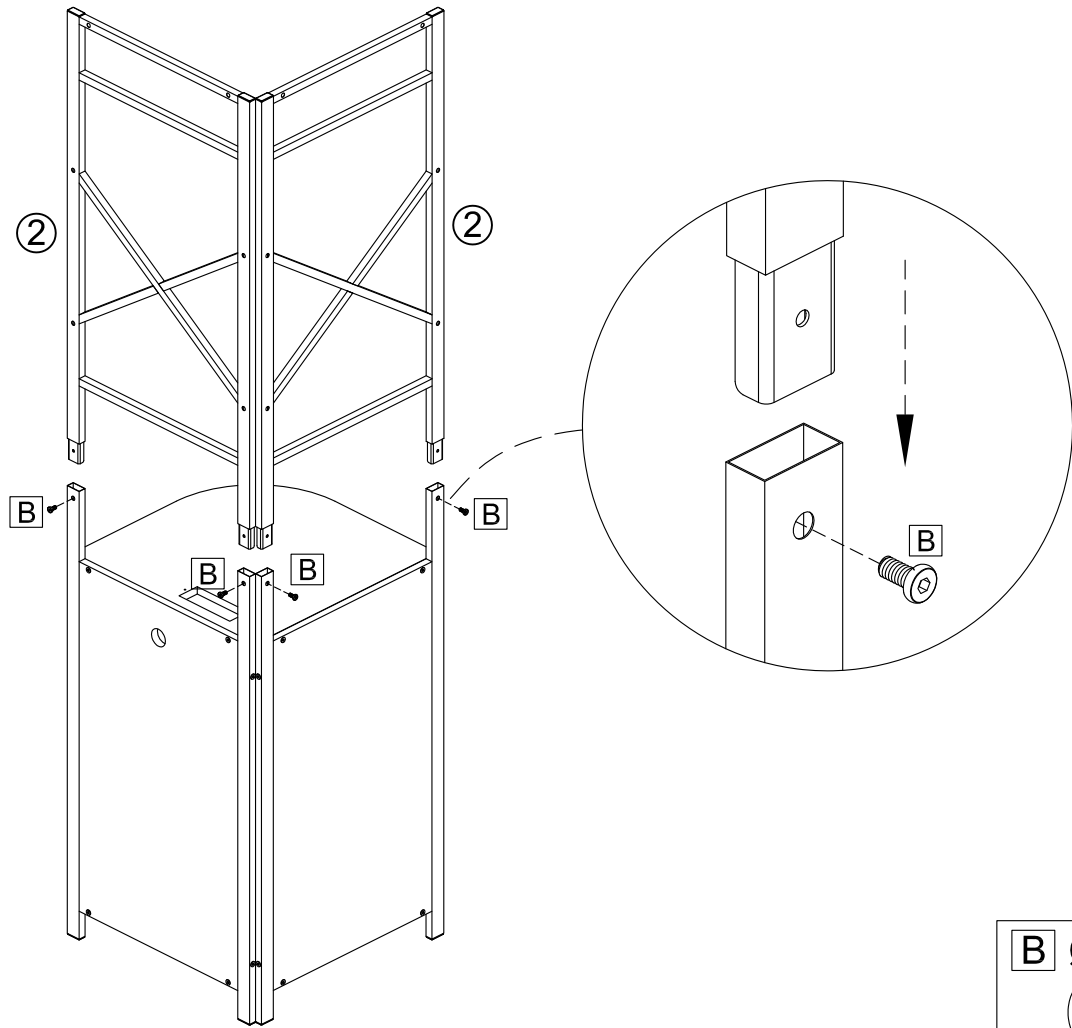


STEP 6



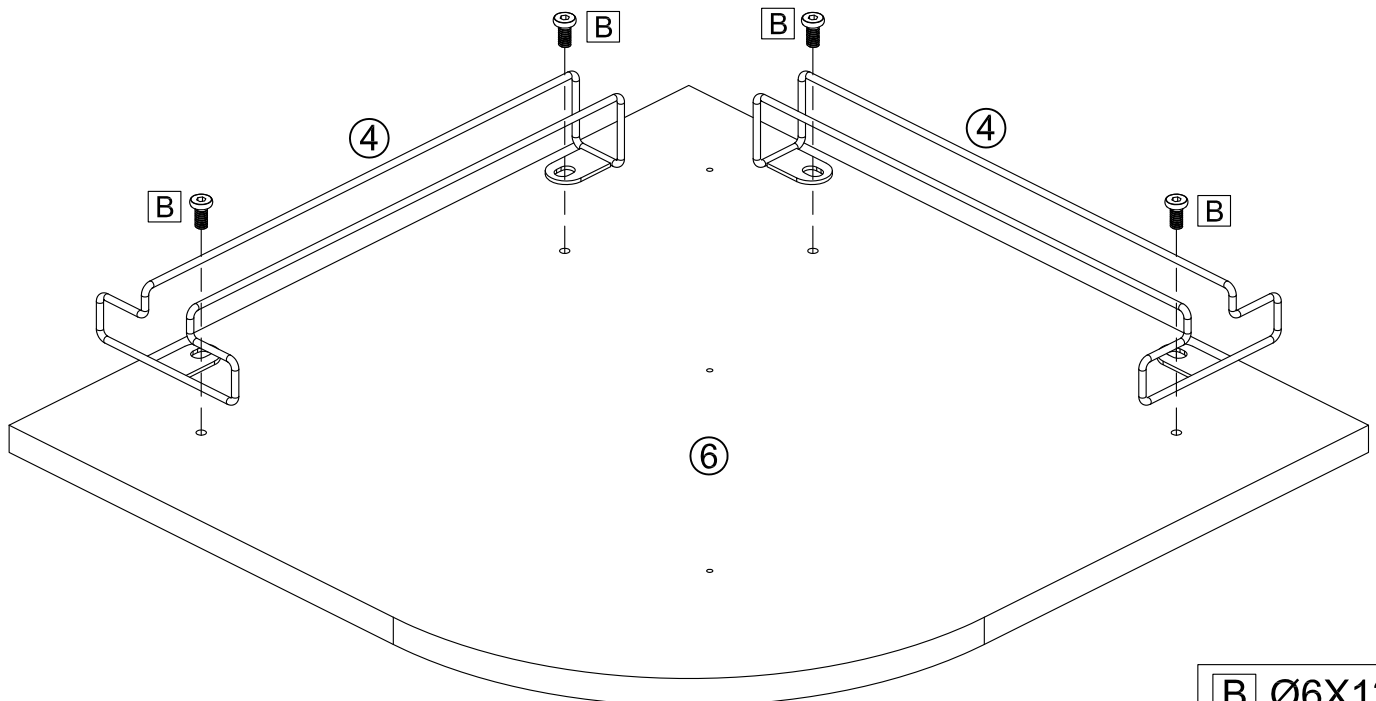
INSTALLATION INSTRUCTION

STEP 7



B Ø6X12L
X4

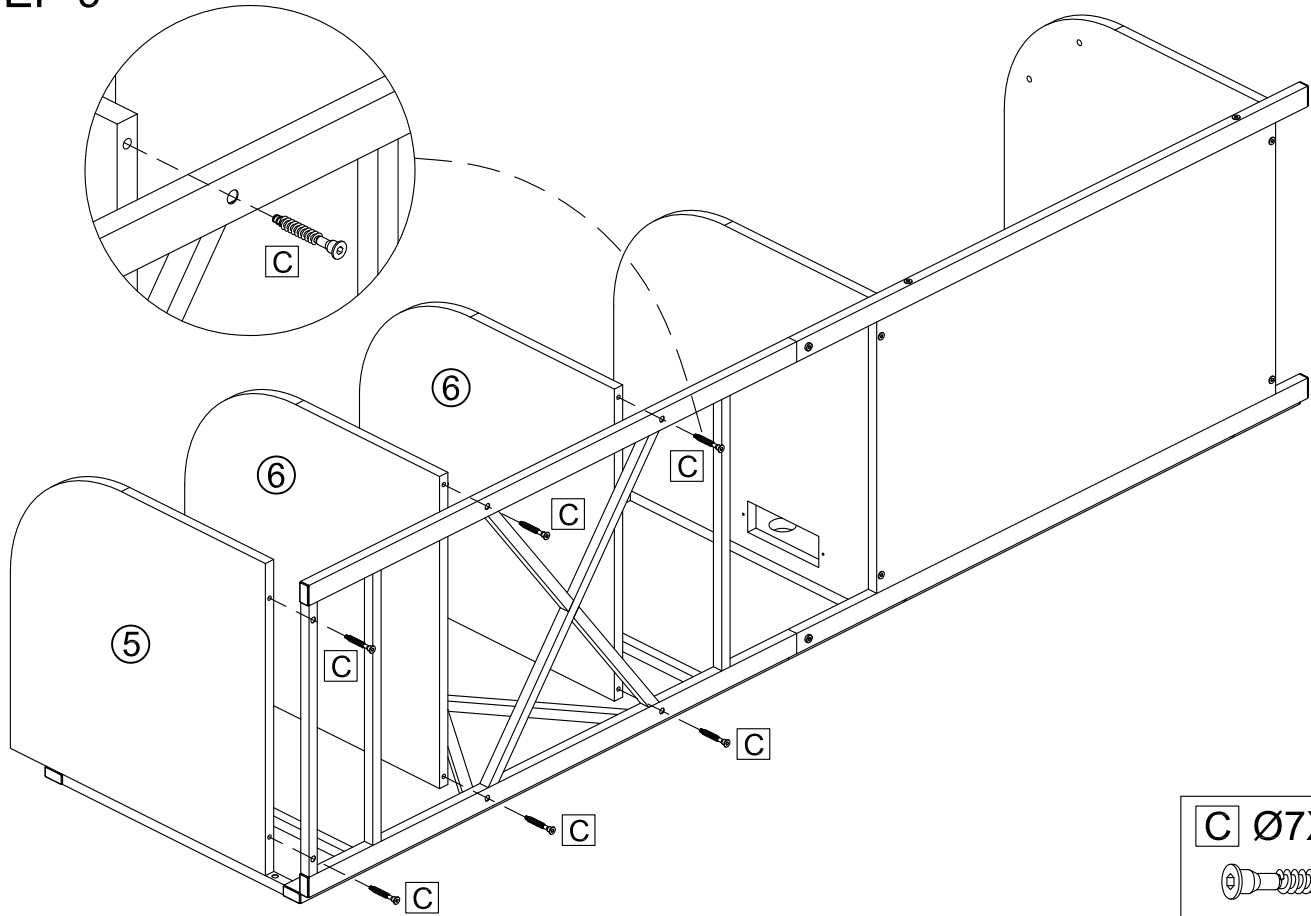
STEP 8



B Ø6X12L
X4

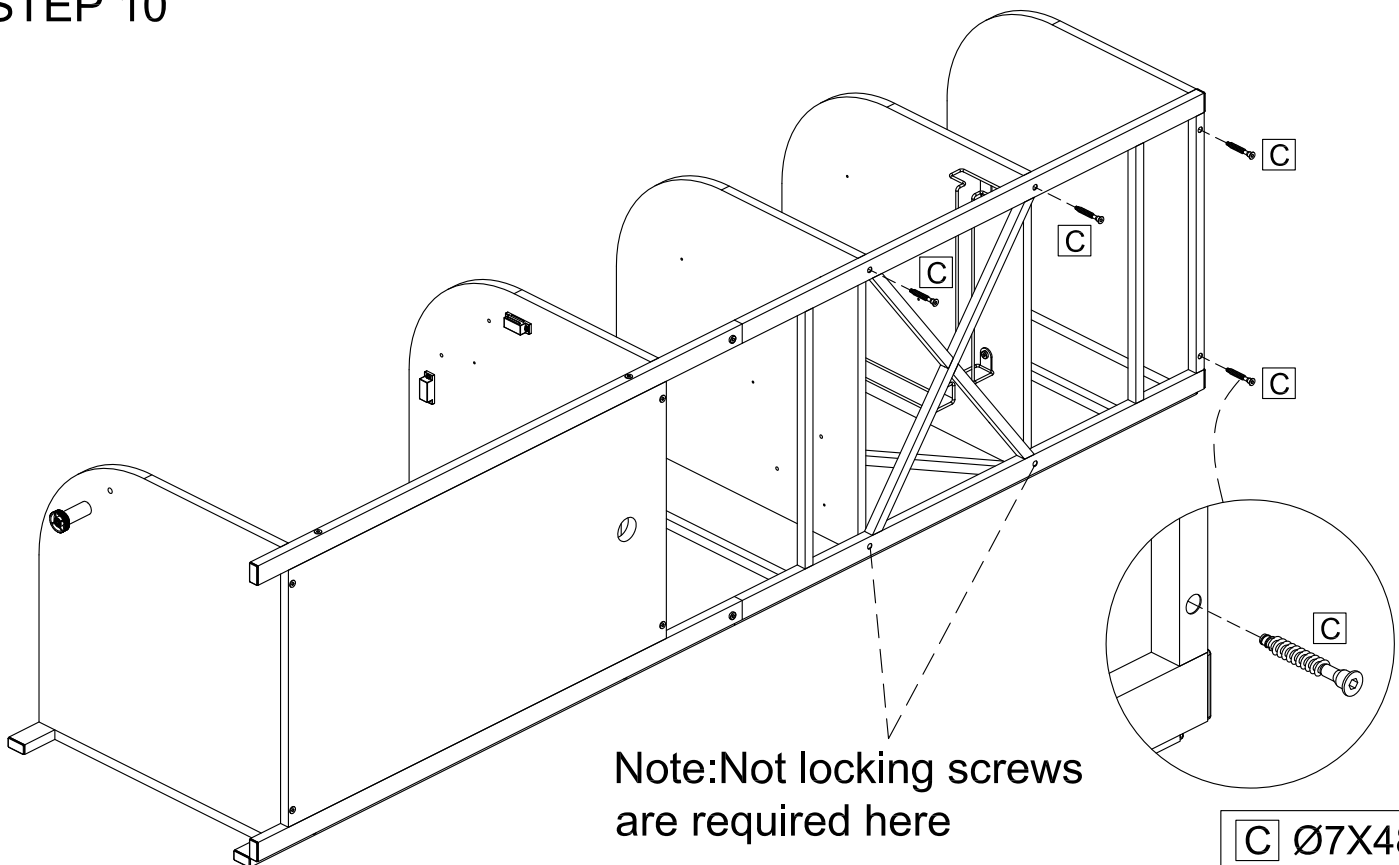
INSTALLATION INSTRUCTION

STEP 9



C Ø7X48L
X6

STEP 10

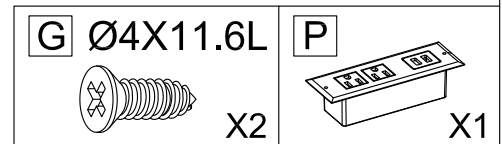
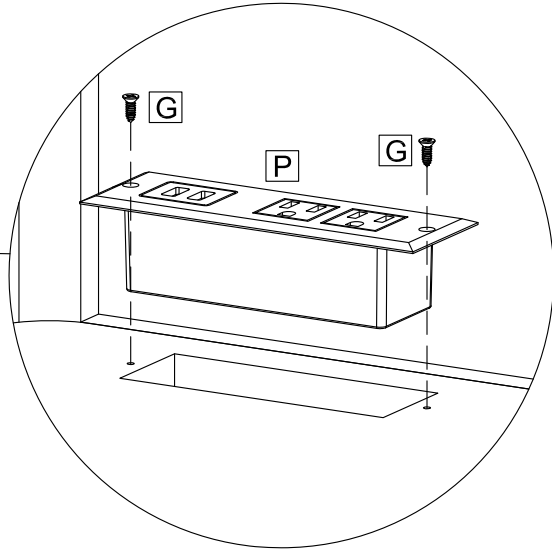
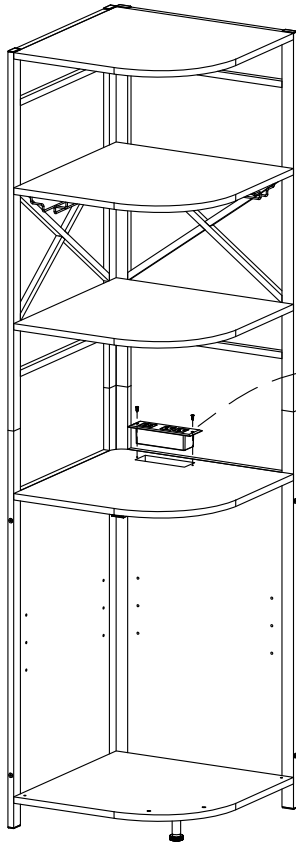


Note: Not locking screws
are required here

C Ø7X48L
X4

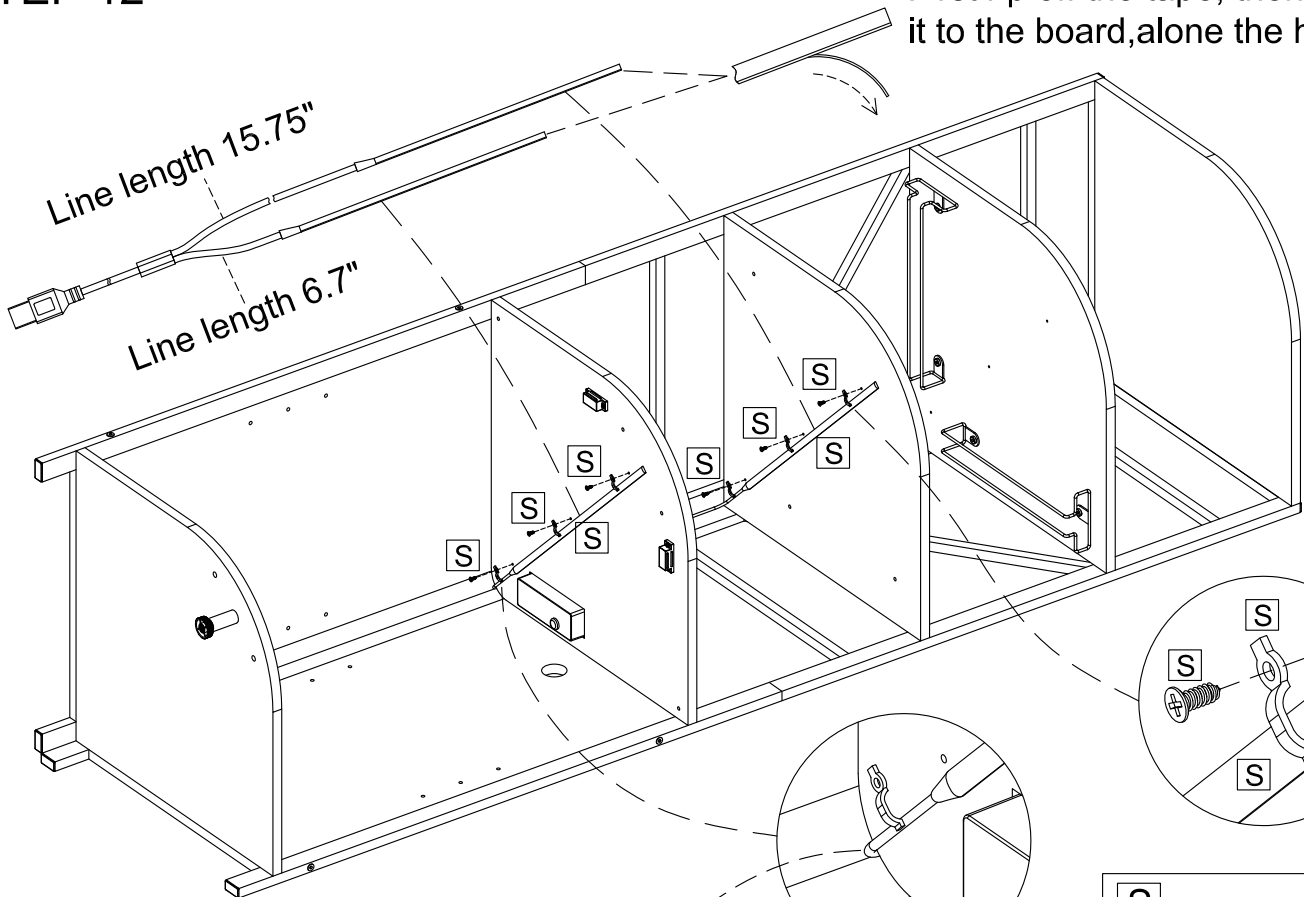
INSTALLATION INSTRUCTION

STEP 11

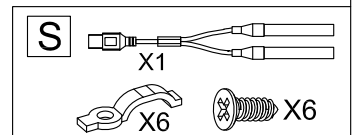
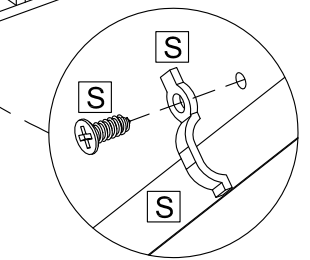


STEP 12

First rip off the tape, then attach it to the board, along the holes.

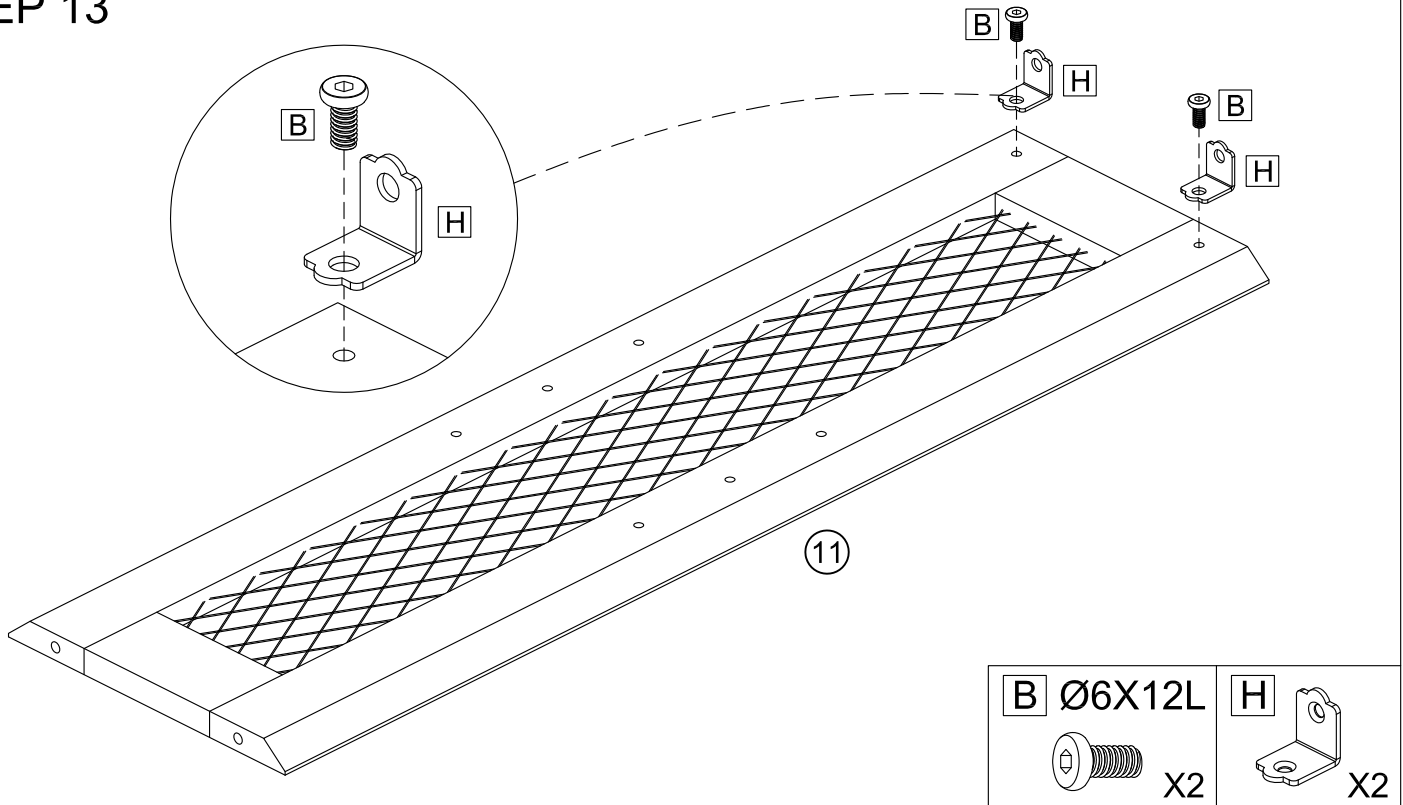


The light wire runs through the board

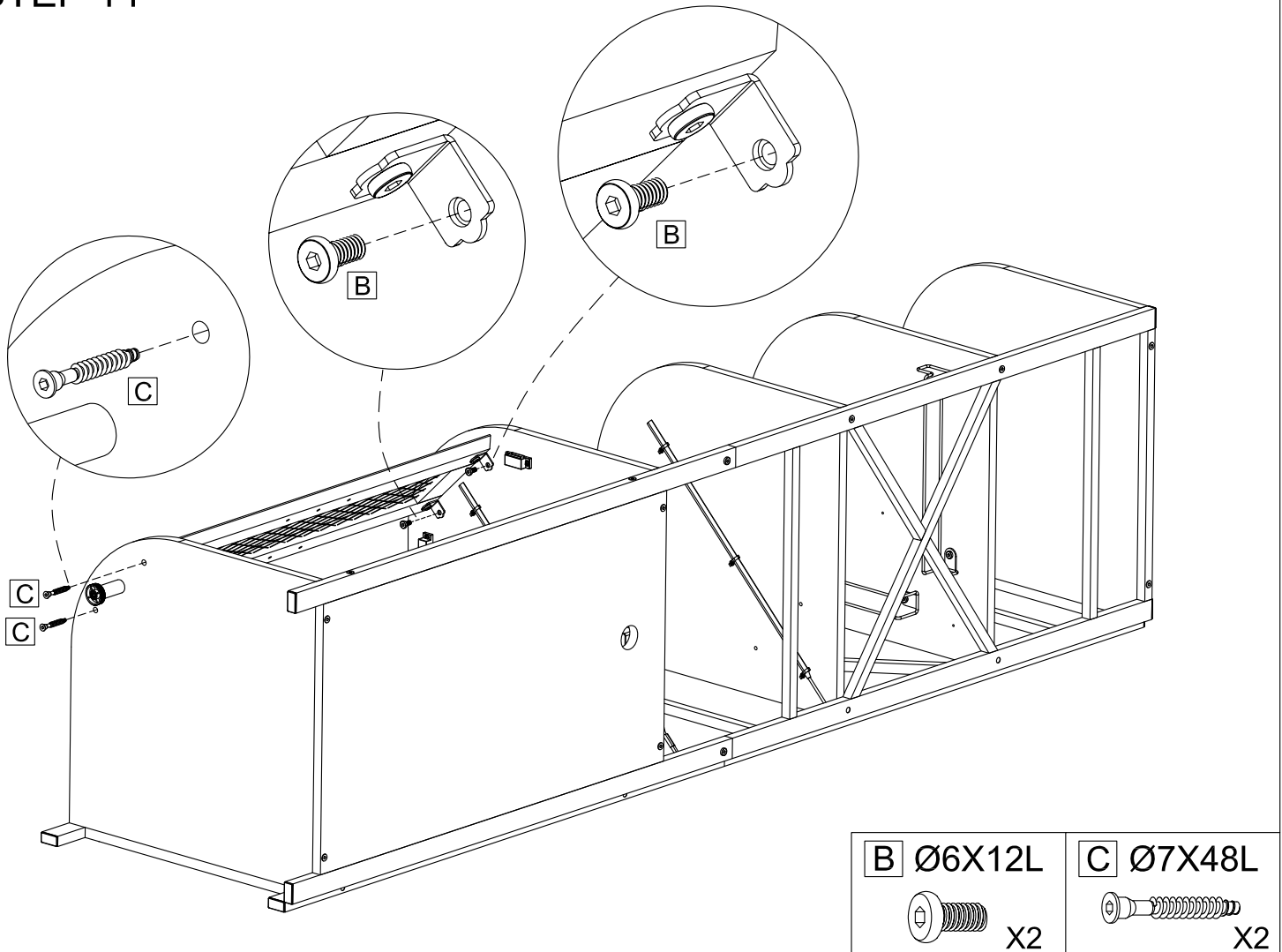


INSTALLATION INSTRUCTION

STEP 13

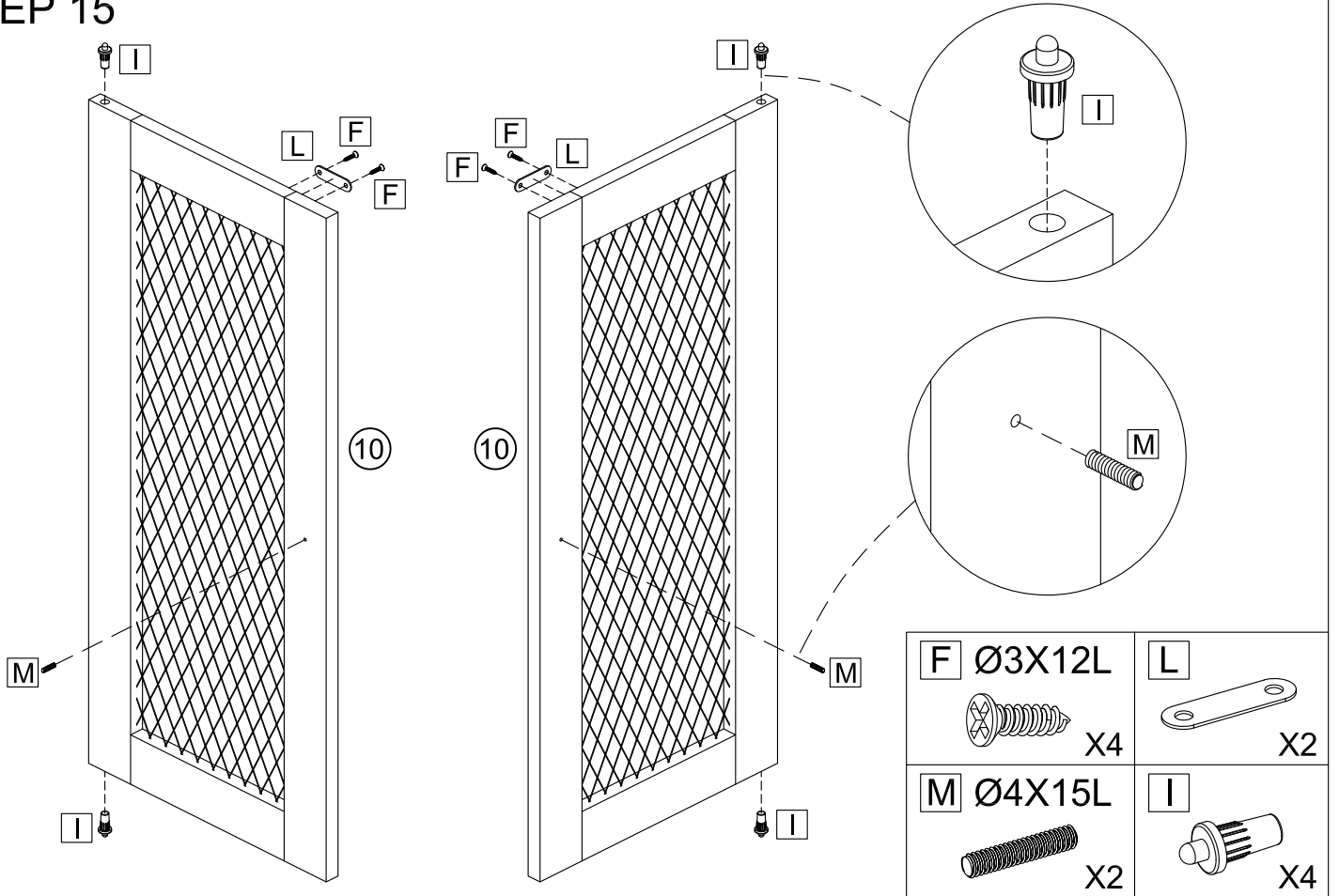


STEP 14

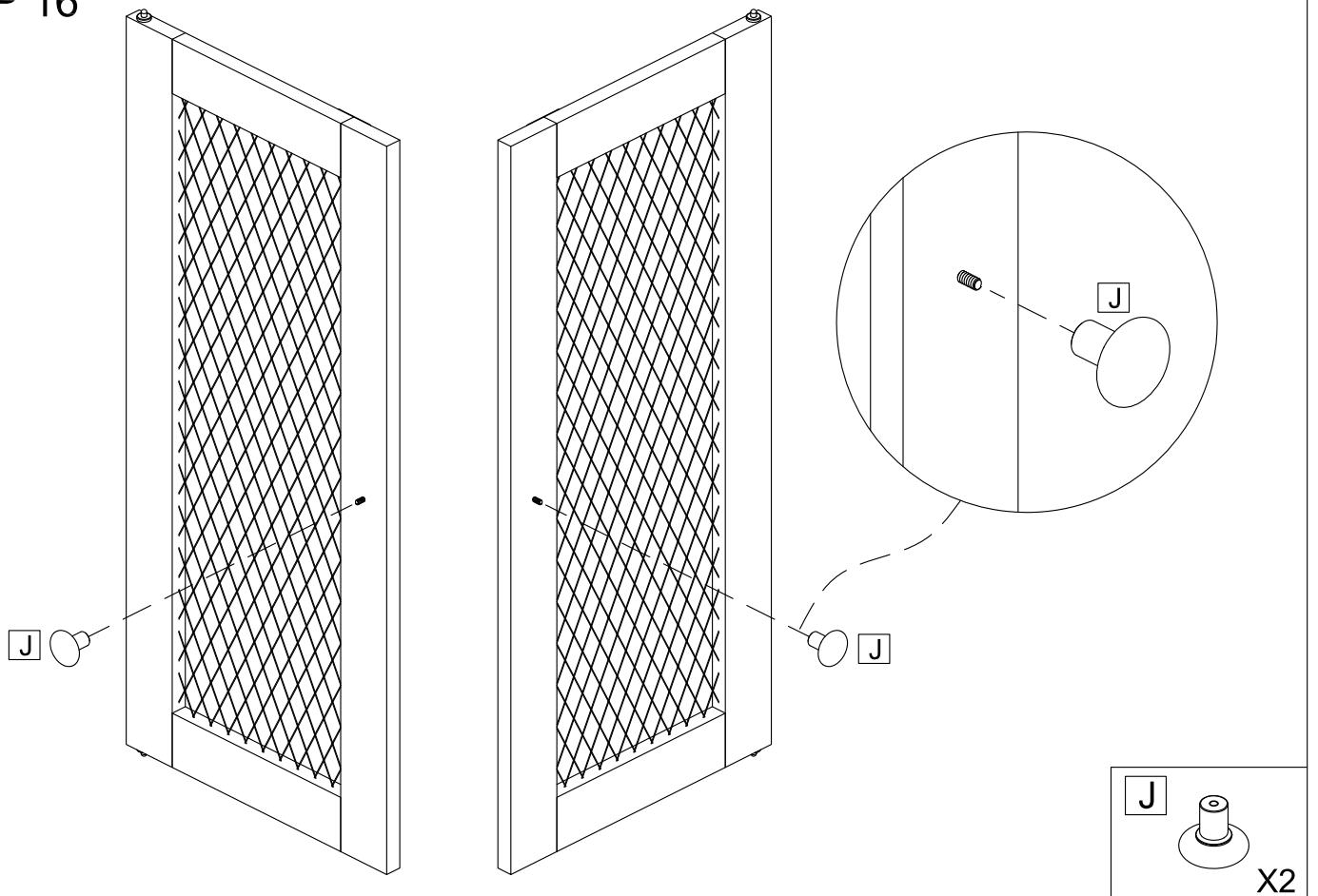


INSTALLATION INSTRUCTION

STEP 15



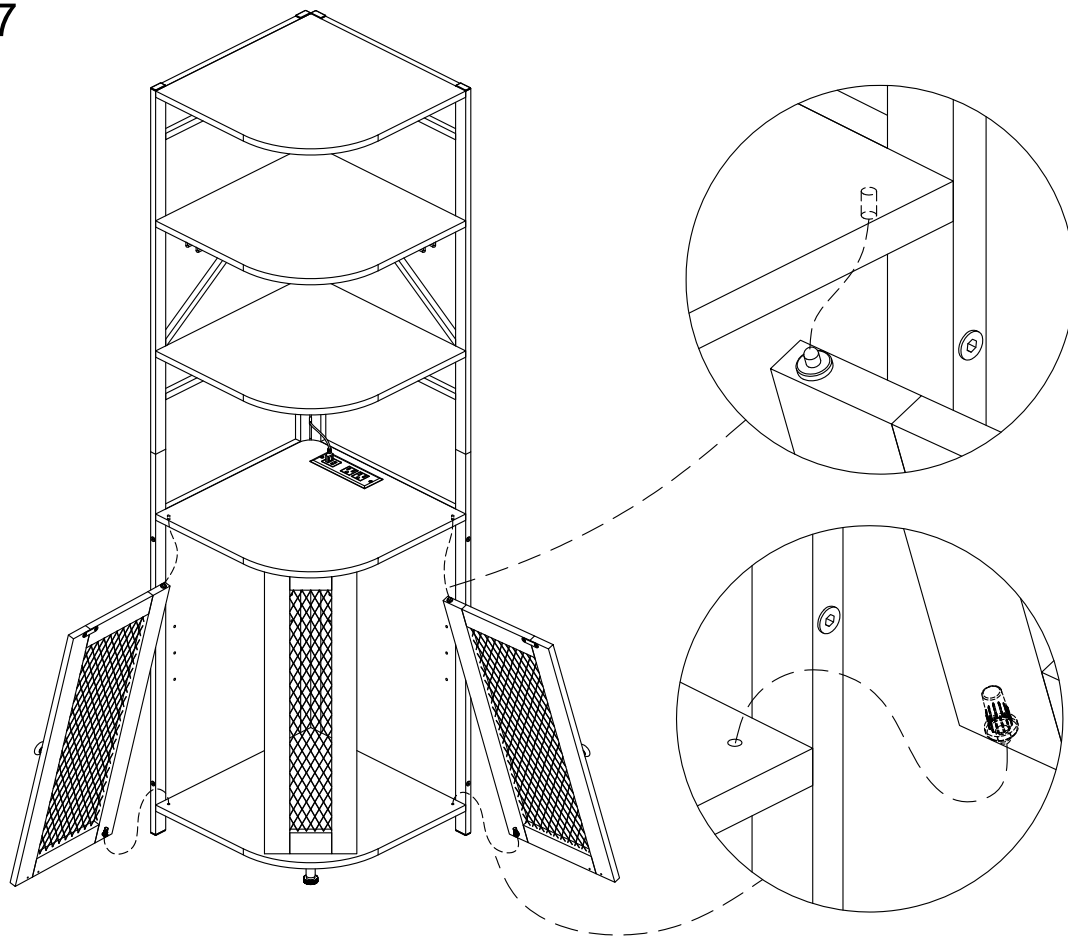
STEP 16



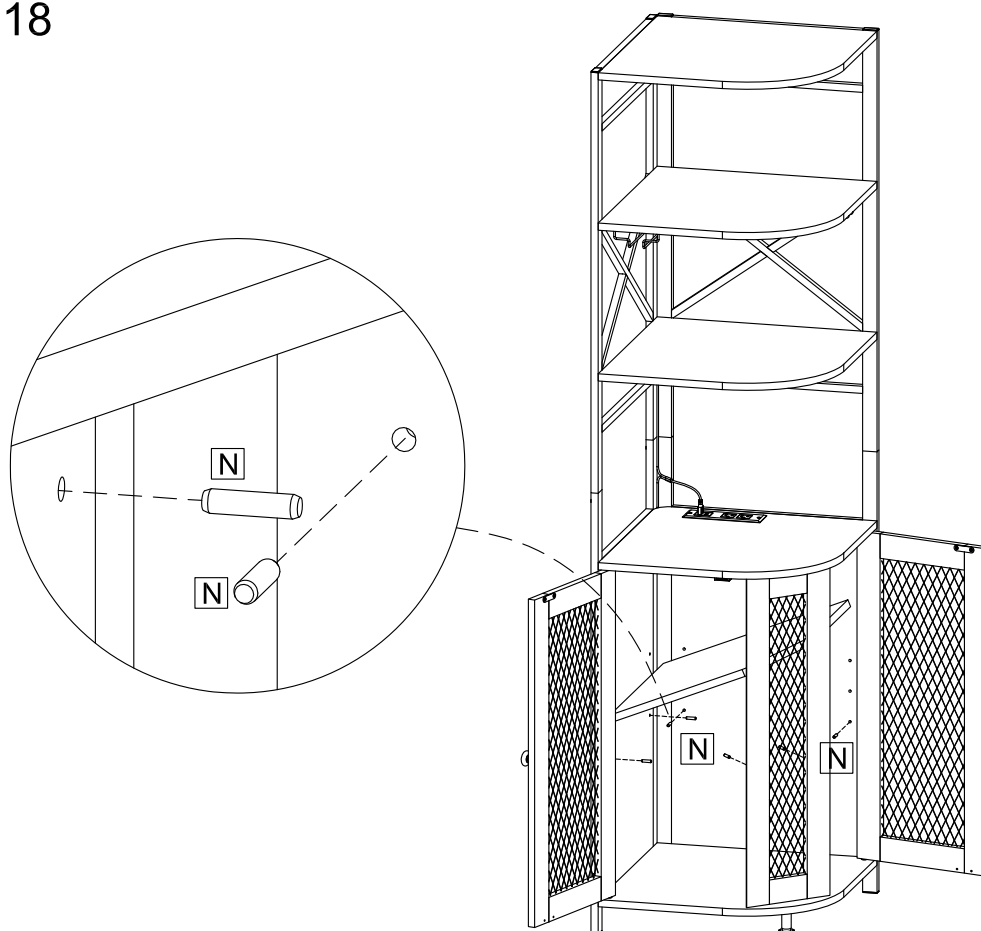
10

INSTALLATION INSTRUCTION

STEP 17

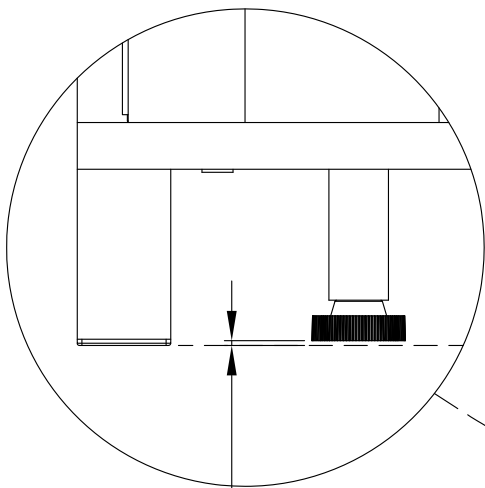
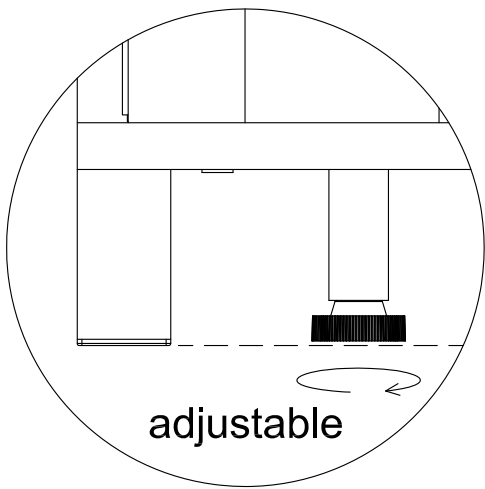
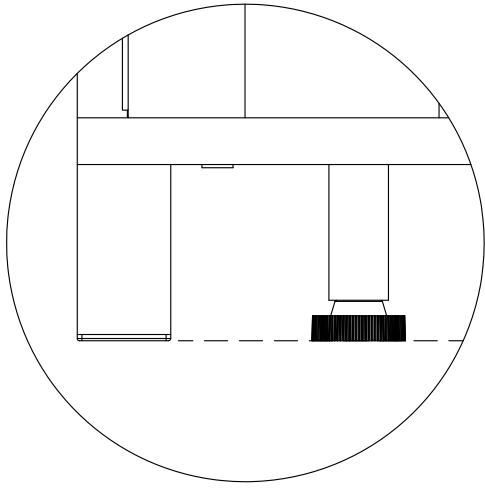


STEP 18

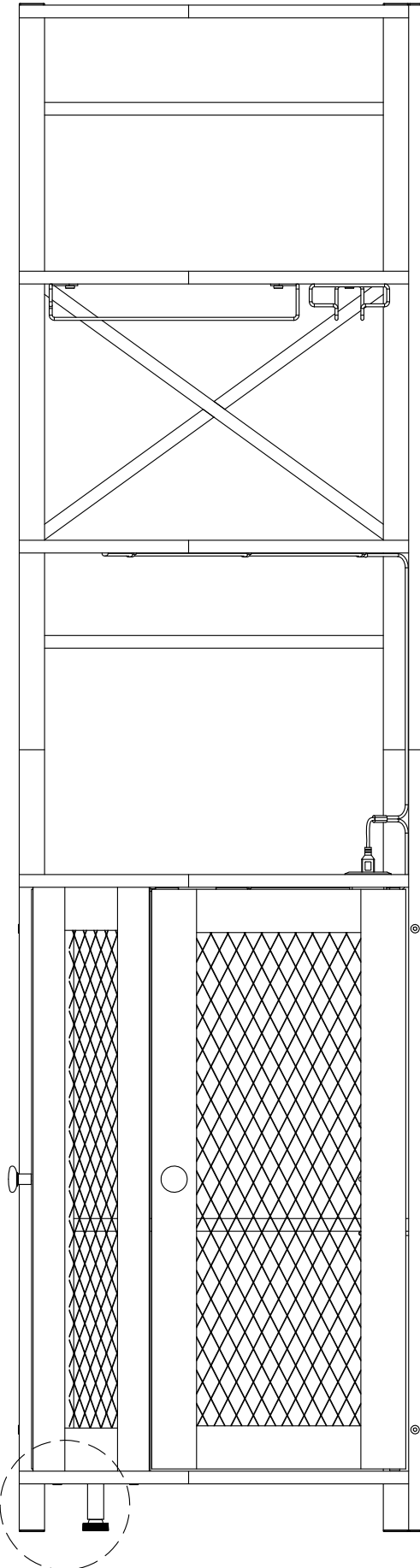


INSTALLATION INSTRUCTION

STEP 19

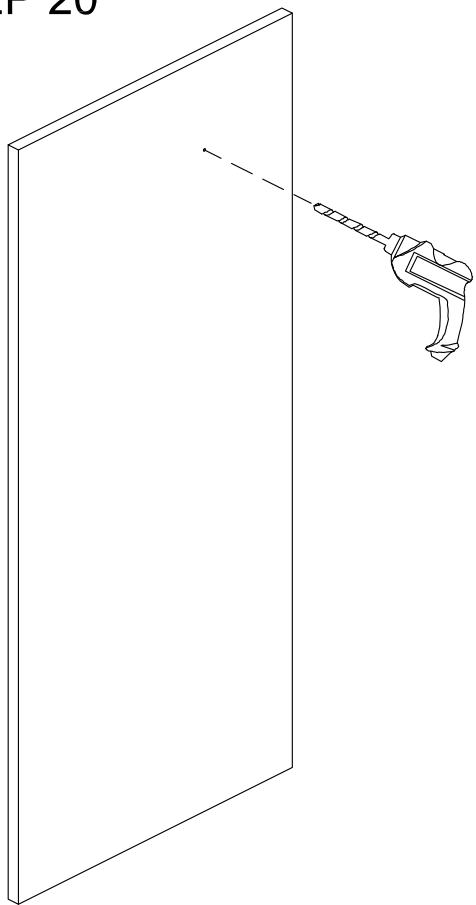


⚠ there is a gap

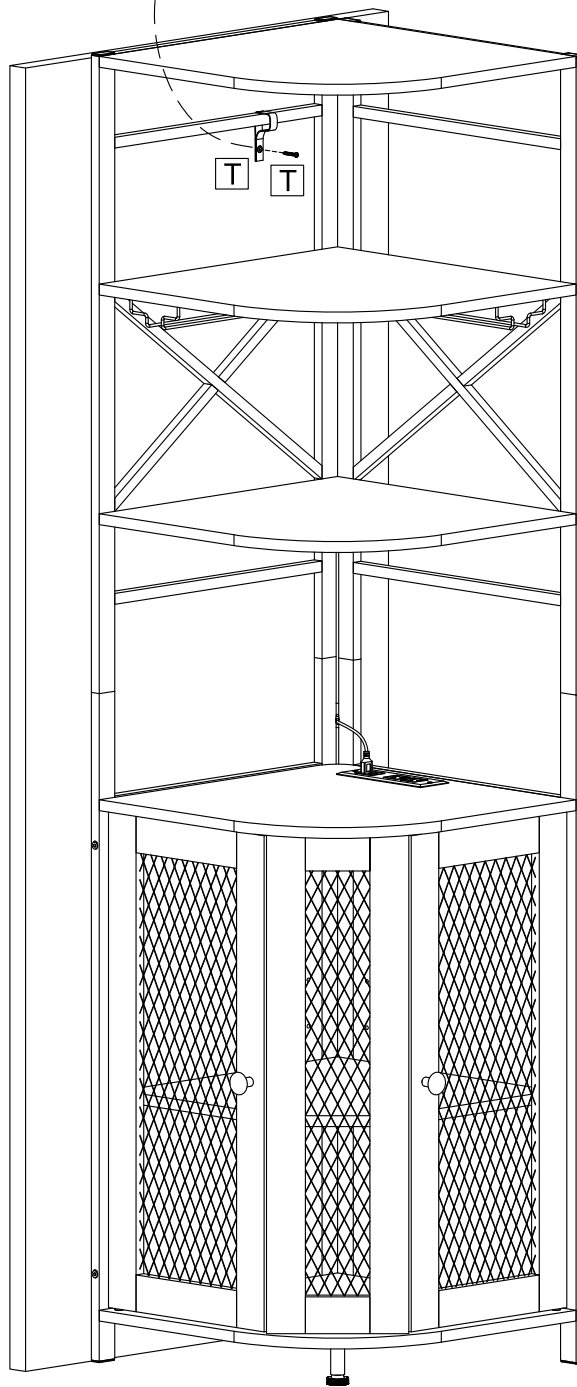
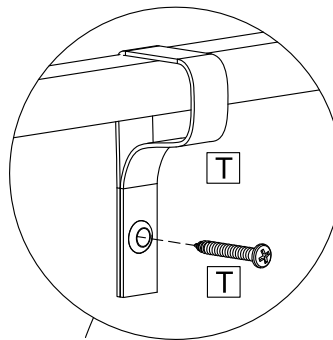


INSTALLATION INSTRUCTION

STEP 20



STEP 22



STEP 21

