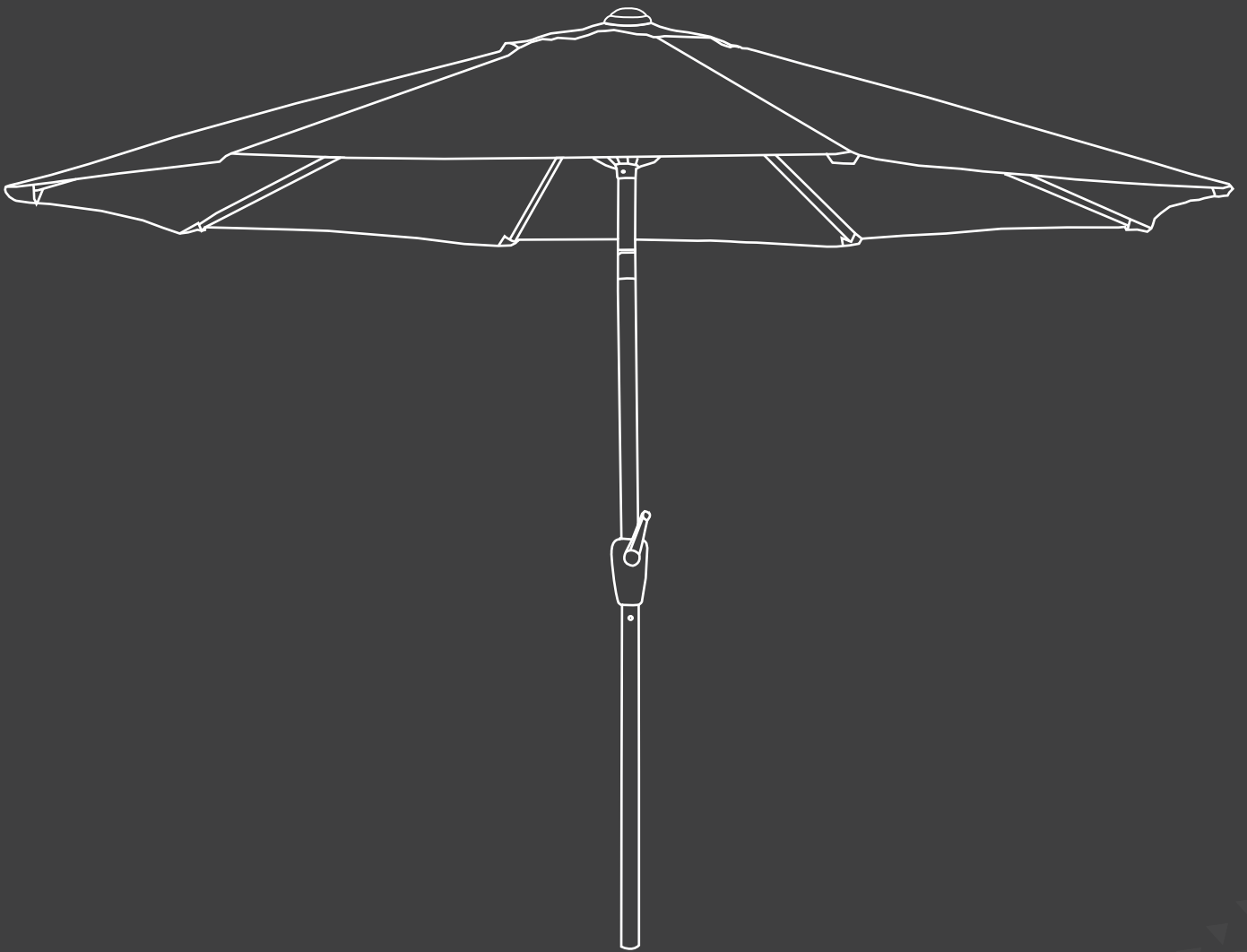
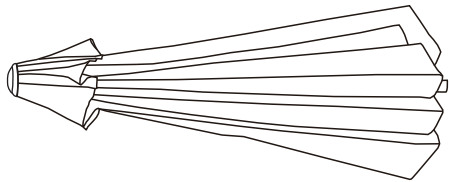


# **OUTDOOR UMBRELLA**

## Instruction Manual

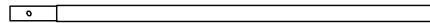


# Component List



**A** X1

Umbrella

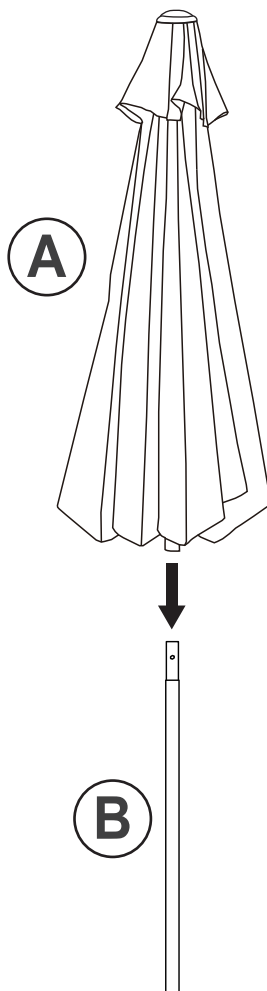


**B** X1

Pole

# Assembly Instruction

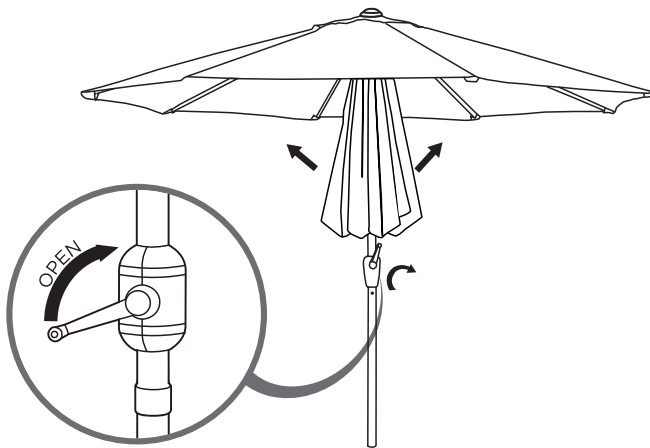
## Step 1



Insert umbrella **A** firmly into lower pole **B** until it locks into place.

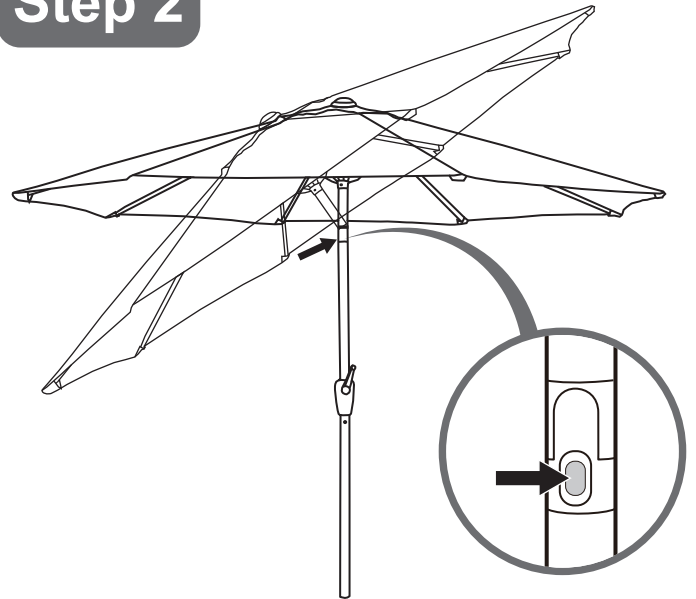
# Instructions For Use

## Step 1



Slowly turn the crank to open the umbrella canopy.

## Step 2

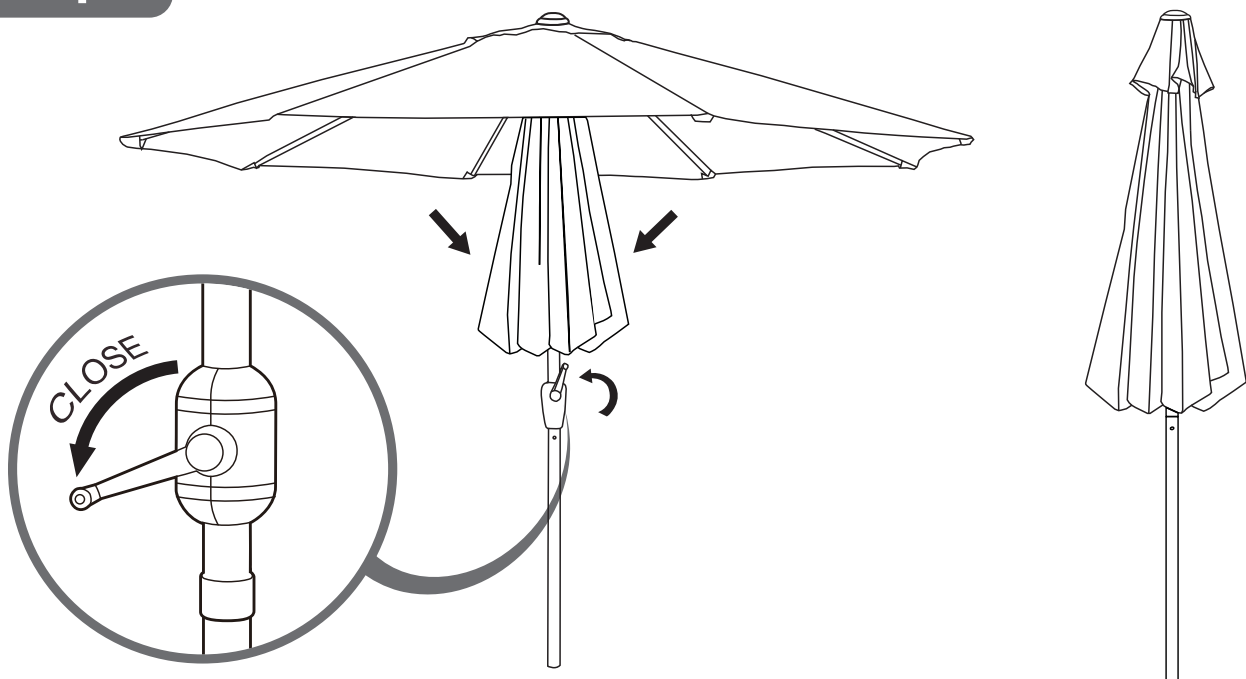


Press the button to adjust the left and right tilt direction of the umbrella surface.

**⚠ NOTE:**

**Do not use without the umbrella base weight.  
Recommended Weight: >100 lbs.**

## Step 3



Slowly rotate the crank to close the umbrella cover.

# Instructions For Use

## NOTE:

- (1) Umbrella base is not included. Do not use this umbrella without an umbrella base.
- (2) Do not use umbrella in inclement weather, such as heavy snow, heavy rain, thunderstorms, or strong wind.
- (3) Always remove umbrella from its stand/base when not in use.
- (4) If using the umbrella with a table, be sure to insert the umbrella into the hole in the center of the table.
- (5) Do not use this item in a way inconsistent with the manufacturer's instructions as this could void the product warranty.

