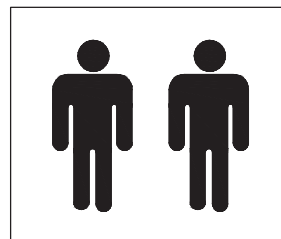
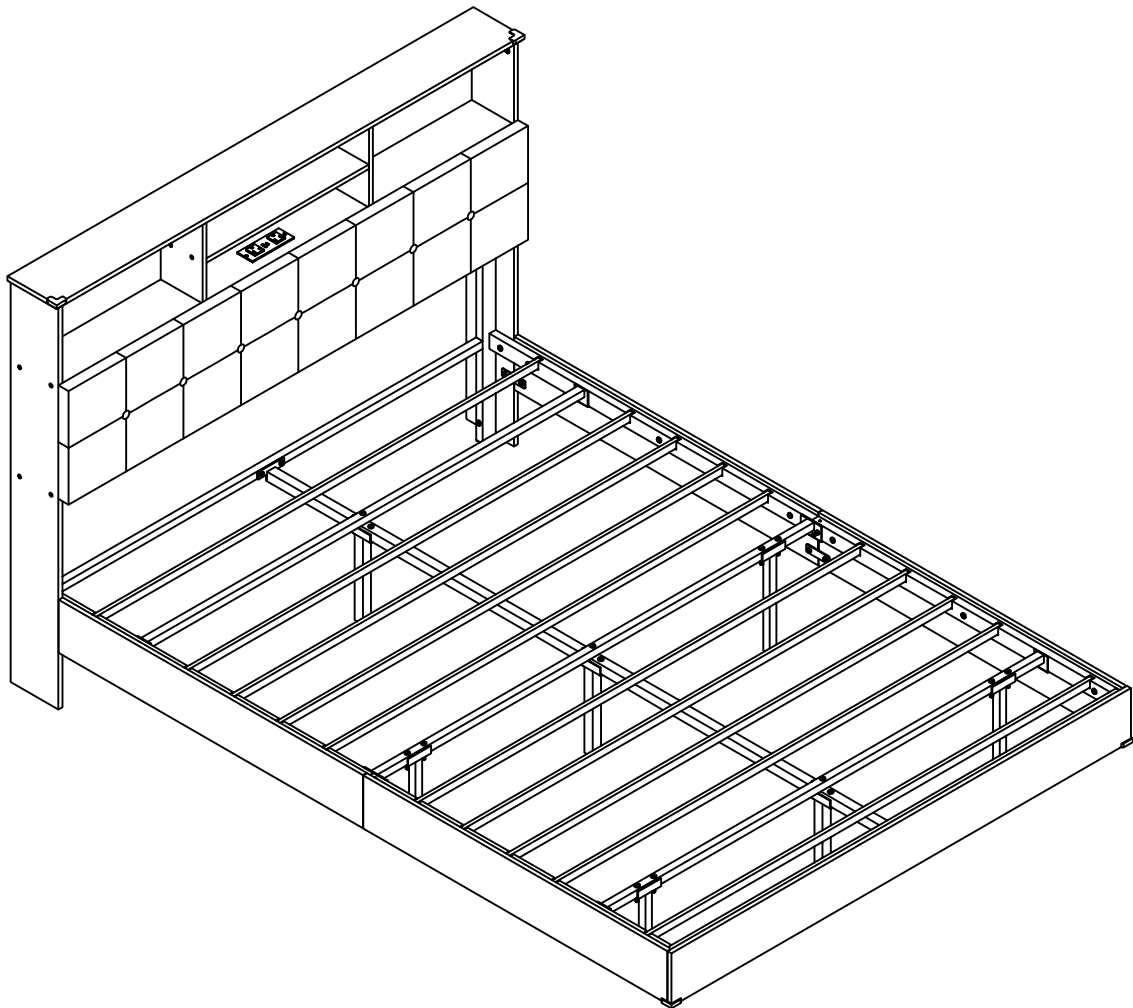


# ASSEMBLY INSTRUCTION

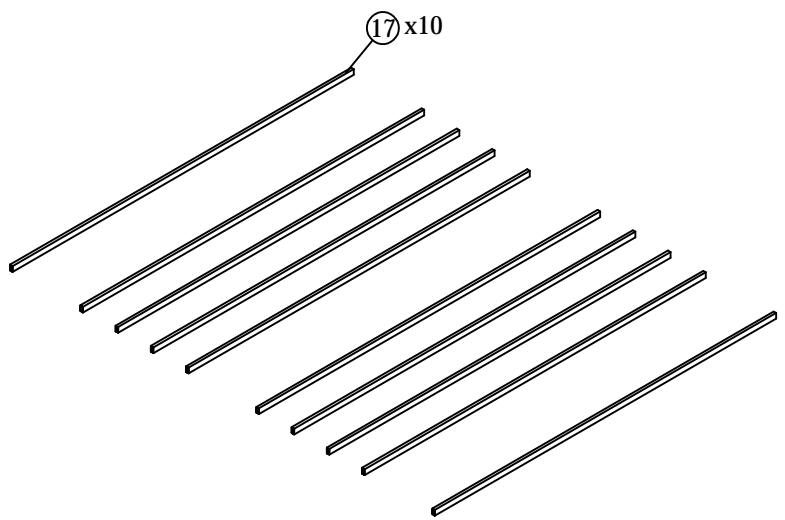
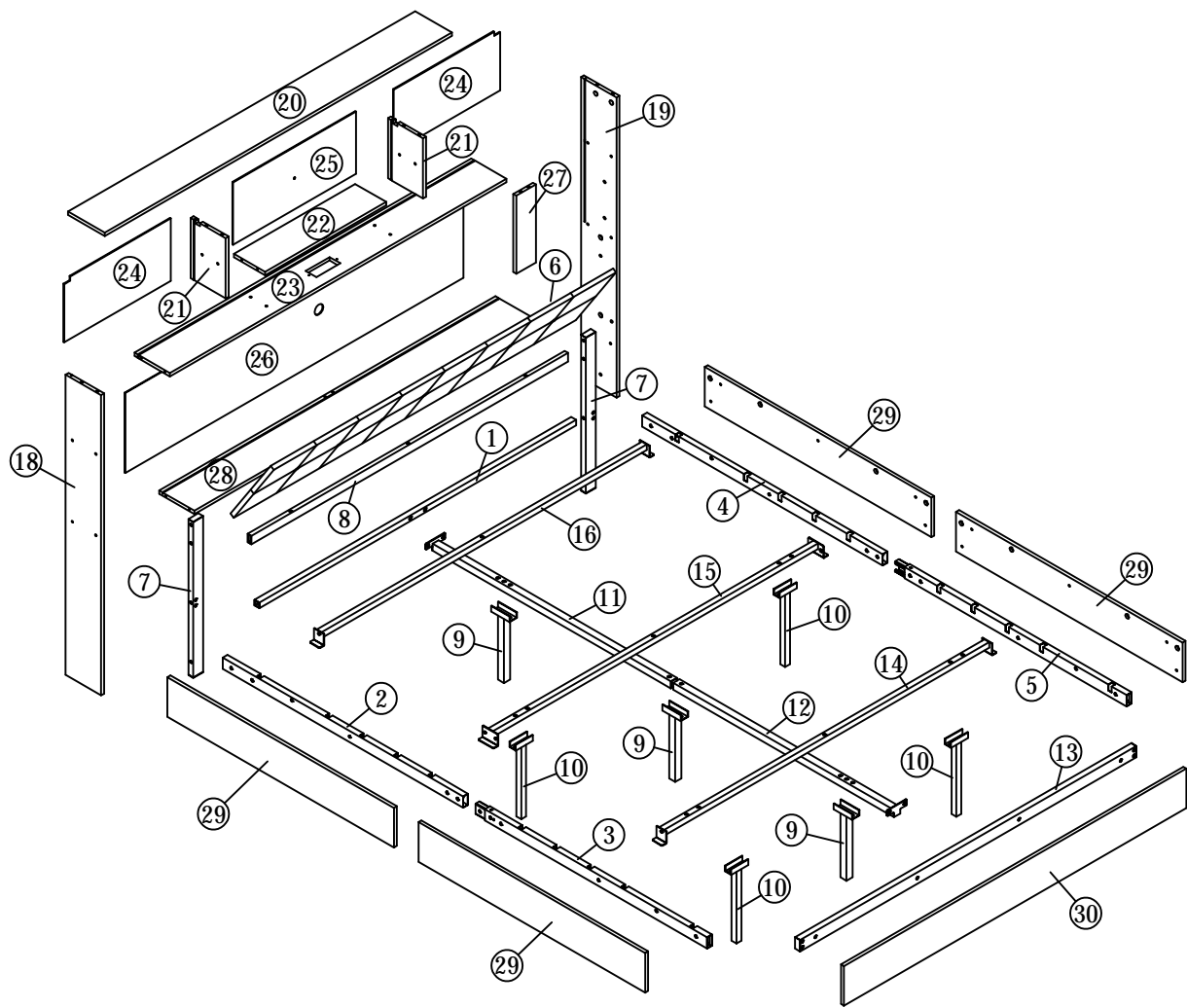
Version: 1.0



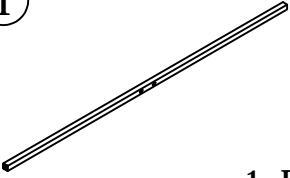
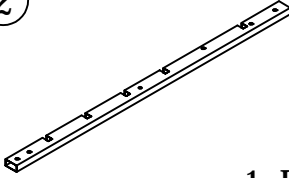
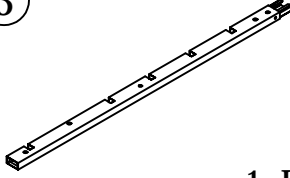
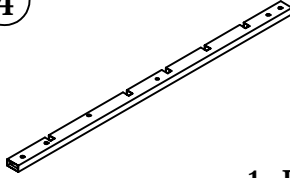
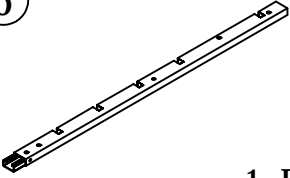
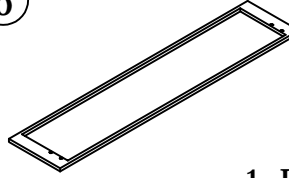
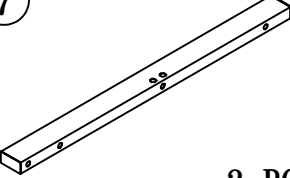
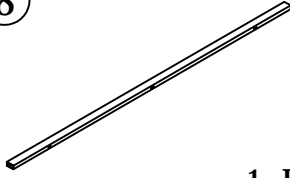
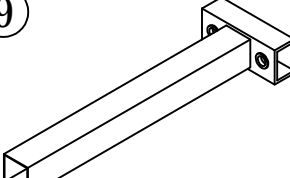
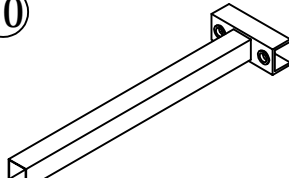
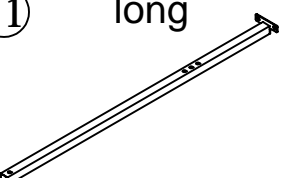
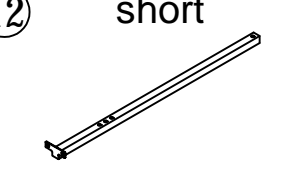
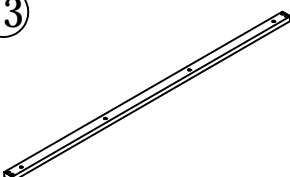
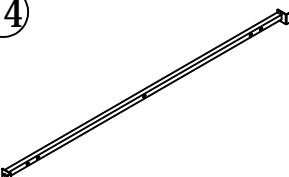
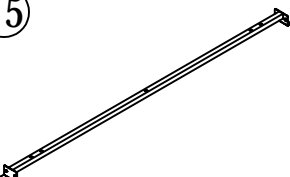
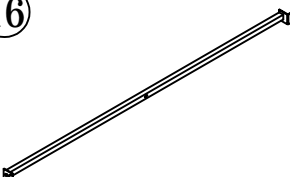
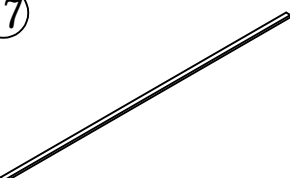
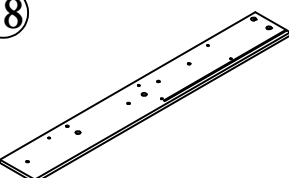
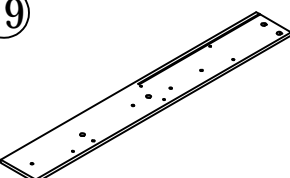
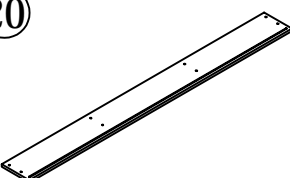
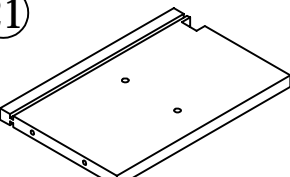
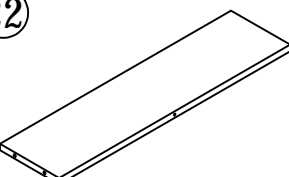
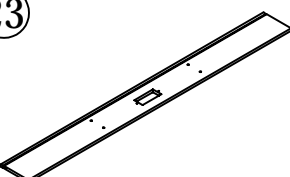
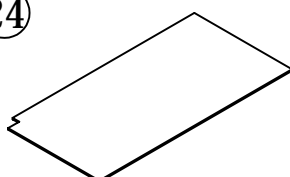
Note:

Should be assembled on flat ground to keep balance. It needs at least two people to install.

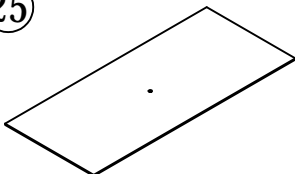
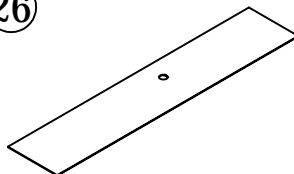
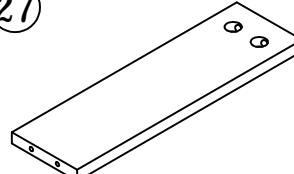
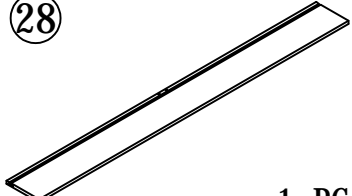
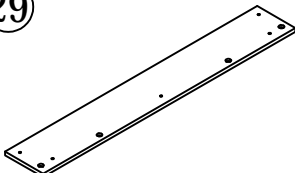
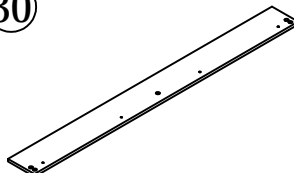
Before starting the assembly, you must read the whole manual and follow the instructions.




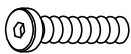
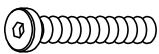
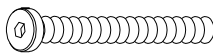

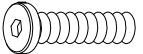
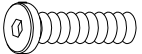
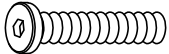
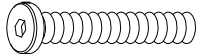
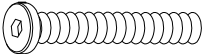
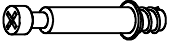
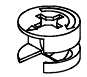
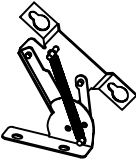
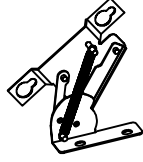

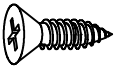
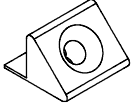
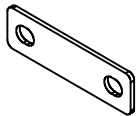
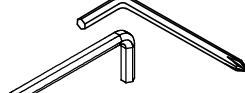



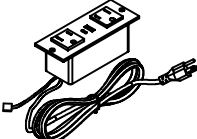
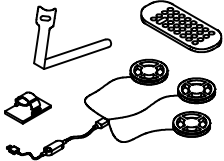
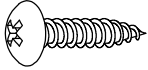
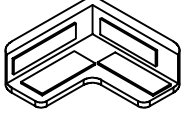
# PARTS LIST

①  1 PC	②  1 PC	③  1 PC	④  1 PC
⑤  1 PC	⑥  1 PC	⑦  2 PCS	⑧  1 PC
⑨  3 PCS	⑩  4 PCS	⑪ long  1 PC	⑫ short  1 PC
⑬  1 PC	⑭  1 PC	⑮  1 PC	⑯  1 PC
⑰  10 PCS	⑱  1 PC	⑲  1 PC	⑳  1 PC
㉑  2 PCS	㉒  1 PC	㉓  1 PC	㉔  2 PCS

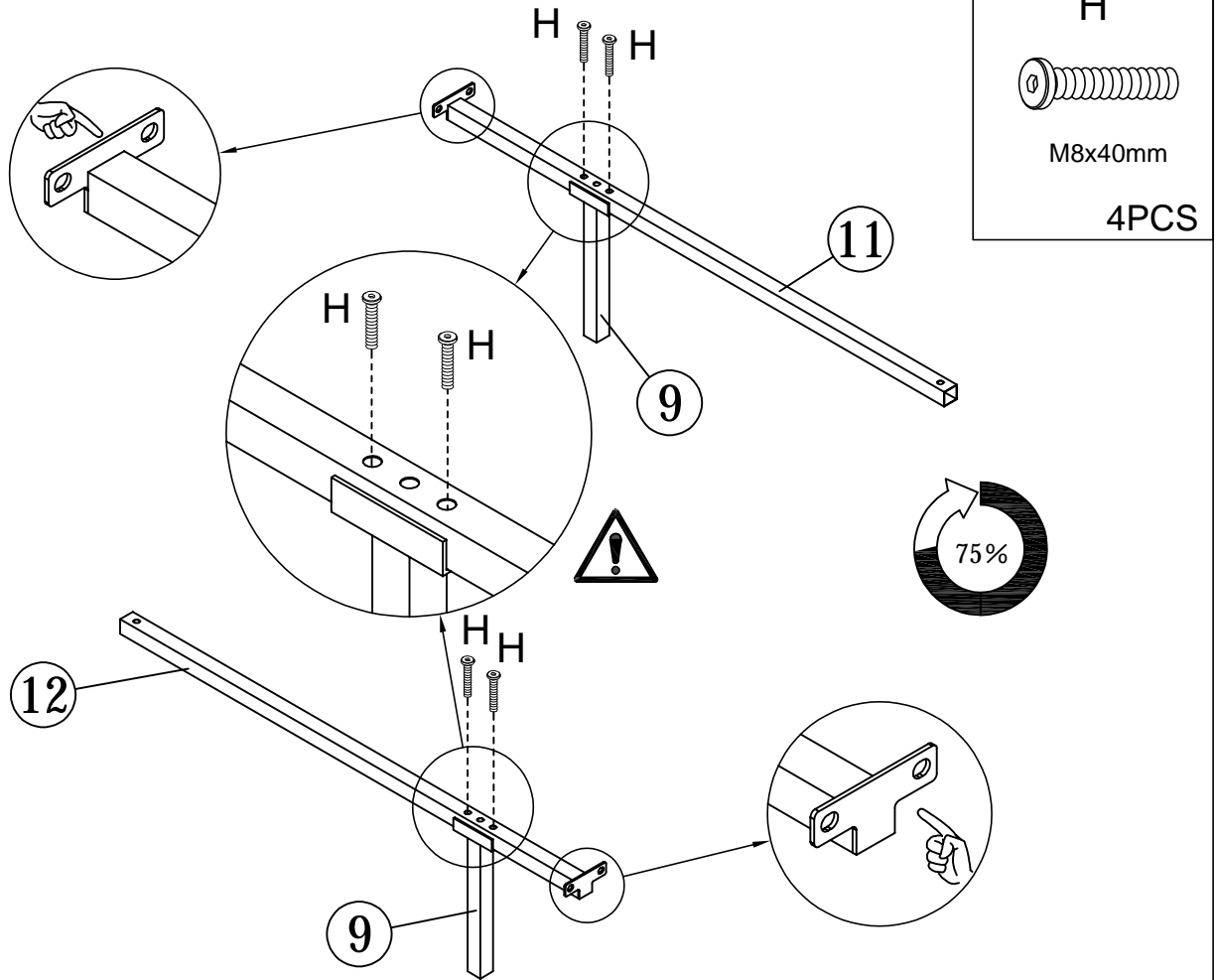
# PARTS LIST

<p>②⑤</p>  <p>1 PC</p>	<p>②⑥</p>  <p>1 PC</p>	<p>②⑦</p>  <p>1 PC</p>	<p>②⑧</p>  <p>1 PC</p>
<p>②⑨</p>  <p>4 PCS</p>	<p>③⑩</p>  <p>1 PC</p>		

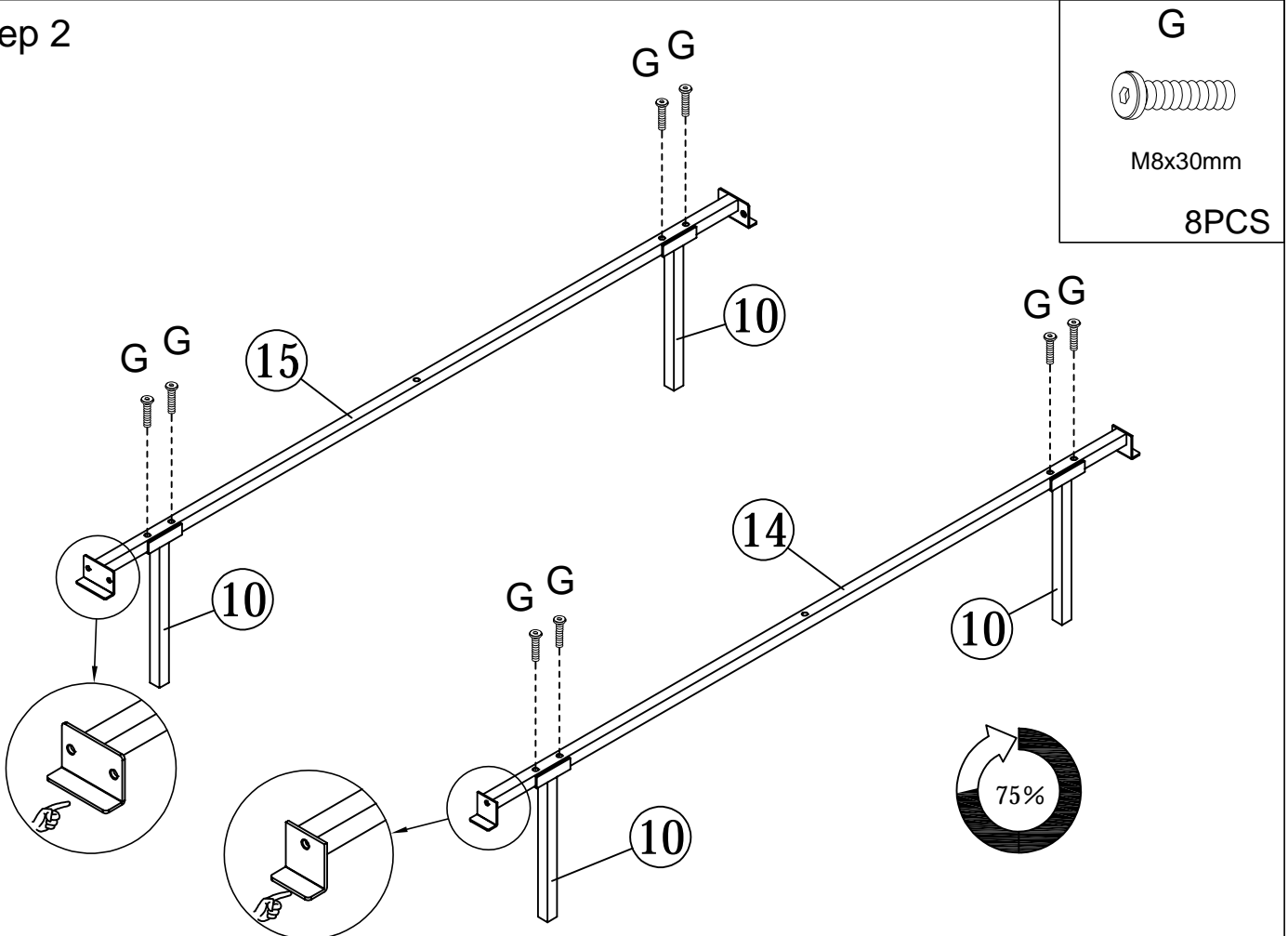
# PARTS LIST

<p><b>A</b></p>  <p>M6x10mm 8PCS+1</p>	<p><b>B</b></p>  <p>M6x28mm 16PCS+1</p>	<p><b>C</b></p>  <p>M6x38mm 3PCS+1</p>	<p><b>D</b></p>  <p>M6x60mm 4PCS+1</p>	<p><b>E</b></p>  <p>M8x12mm 12PCS+1</p>
<p><b>F</b></p>  <p>M8x28mm 2PCS+1</p>	<p><b>G</b></p>  <p>M8x30mm 16PCS+1</p>	<p><b>H</b></p>  <p>M8x40mm 14PCS+1</p>	<p><b>I</b></p>  <p>M8x50mm 4PCS+1</p>	<p><b>J</b></p>  <p>M8x55mm 3PCS+1</p>
<p><b>K</b></p>  <p>Ø6x35mm 10PCS+1</p>	<p><b>L</b></p>  <p>Ø15x10mm 10PCS+1</p>	<p><b>M</b></p>  <p>1PC</p>	<p><b>N</b></p>  <p>1PC</p>	<p><b>O</b></p>  <p>M5x38mm 18PCS+1</p>
<p><b>P</b></p>  <p>Ø3.5x16mm 14PCS+1</p>	<p><b>Q</b></p>  <p>14PCS+1</p>	<p><b>R</b></p>  <p>4PCS</p>	<p><b>S</b></p>  <p>M5 1PC+1</p>	<p><b>T</b></p>  <p>M4 2PCS</p>
<p><b>U</b></p>  <p>M3 2PCS</p>	<p><b>V</b></p>  <p>Ø3.5x12mm 2PCS+1</p>	<p><b>W</b></p>  <p>1PC</p>	<p><b>X</b></p>  <p>1PC</p>	<p><b>Y</b></p>  <p>M4x20mm 1PC+1</p>
<p><b>Z</b></p>  <p>4PCS</p>				

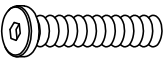
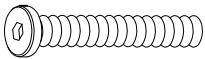
Step 1

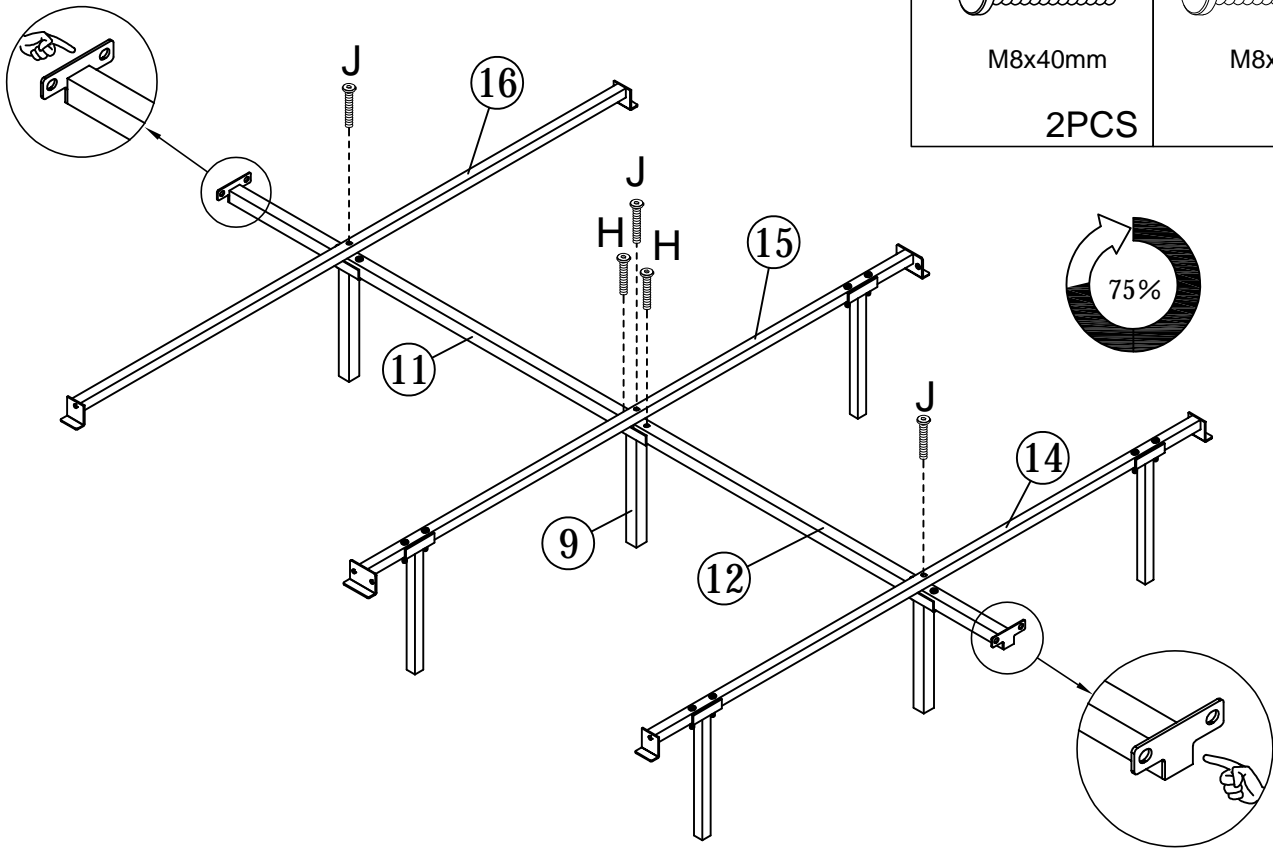


Step 2

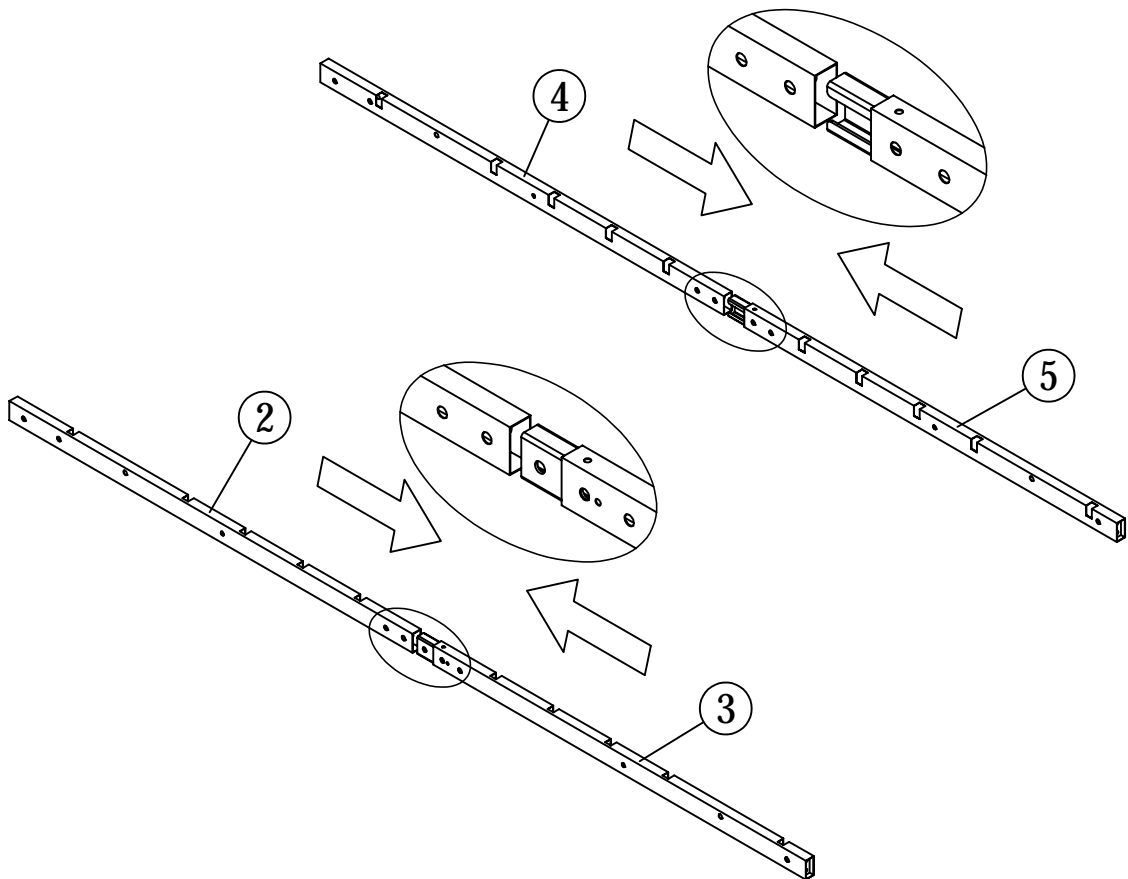


### Step 3

H	J
	
M8x40mm	M8x55mm
2PCS	3PCS

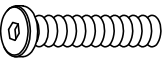


### Step 4



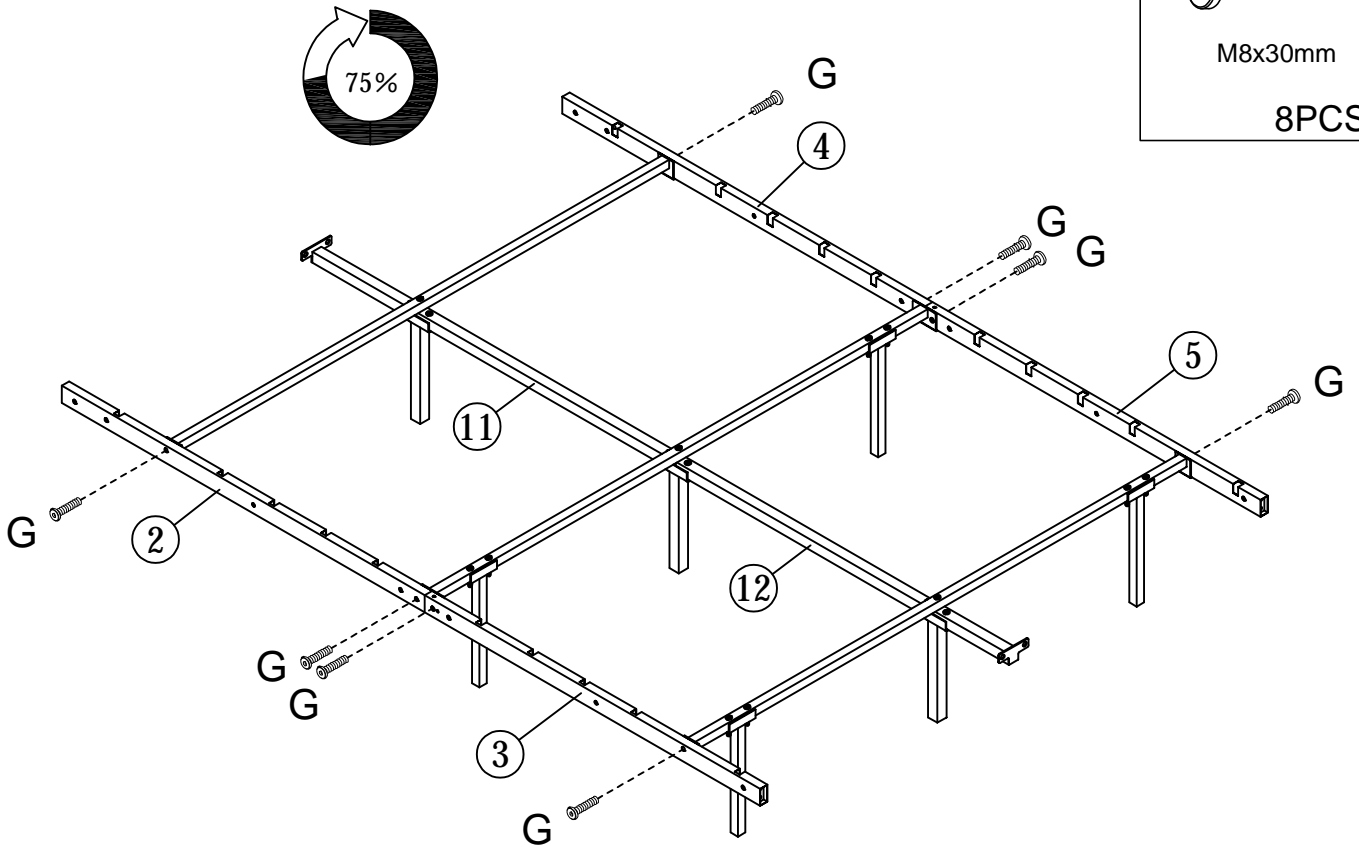
# Step 5

**G**



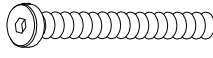
M8x30mm

**8PCS**



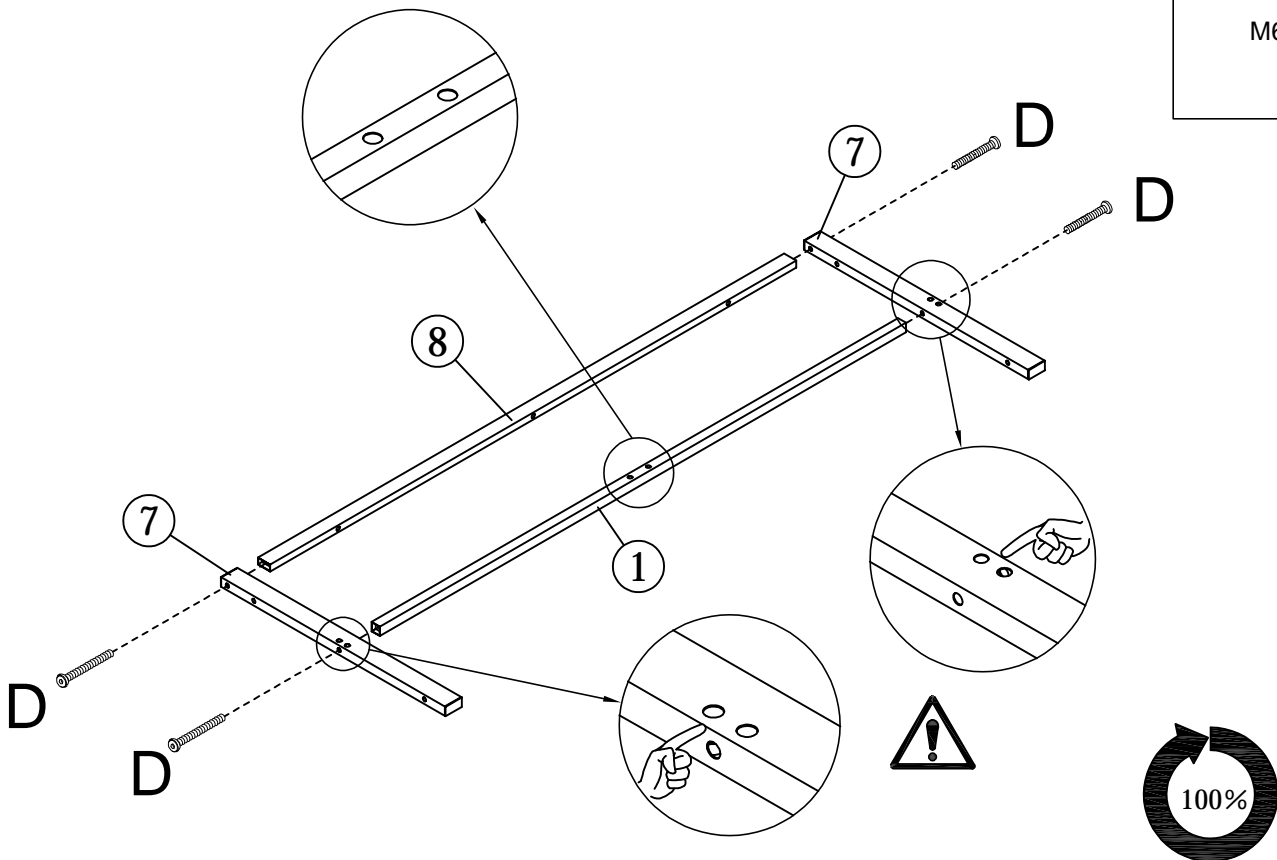
# Step 6

**D**


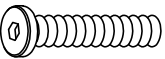


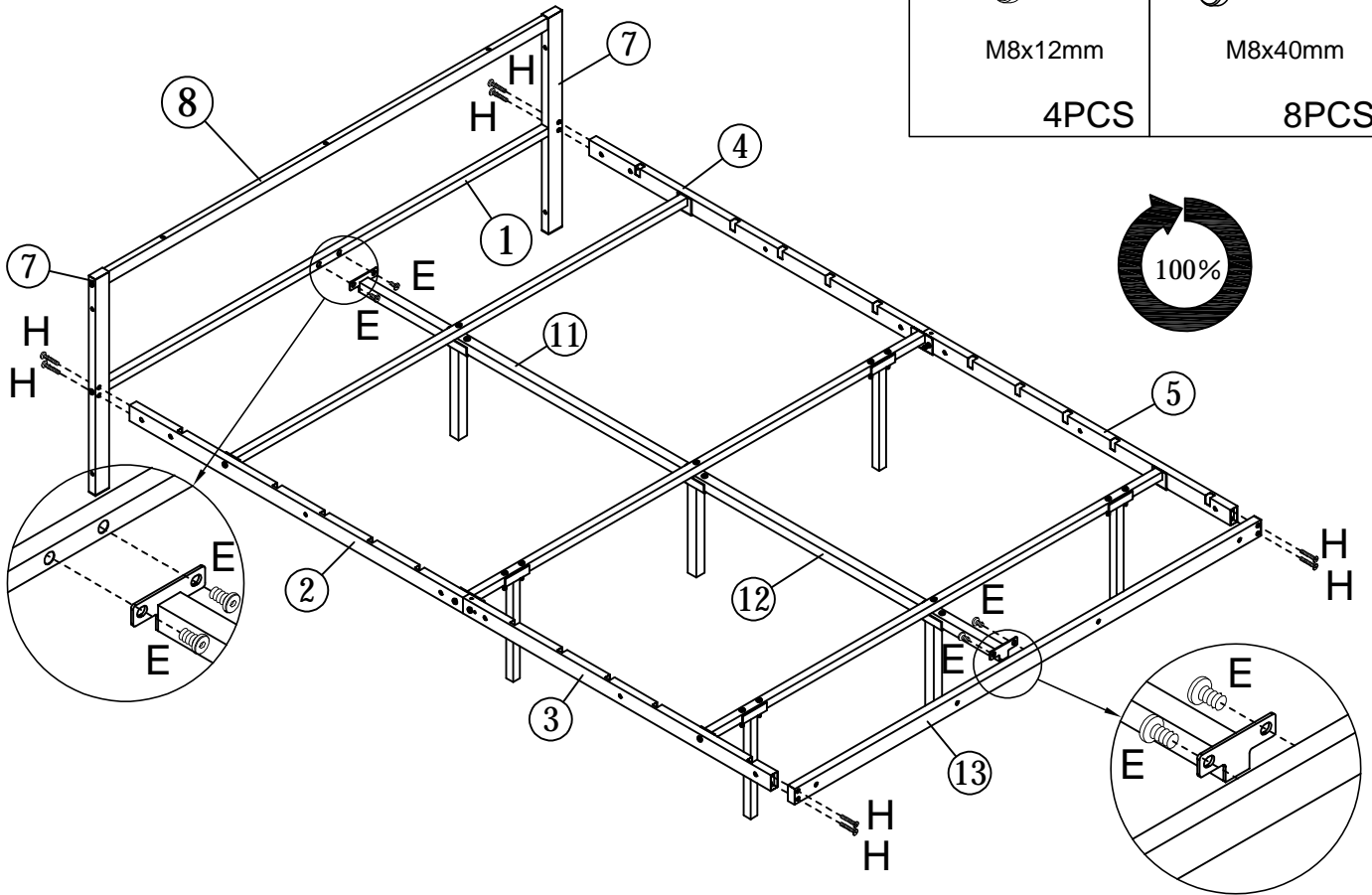
M6x60mm

**4PCS**

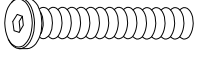


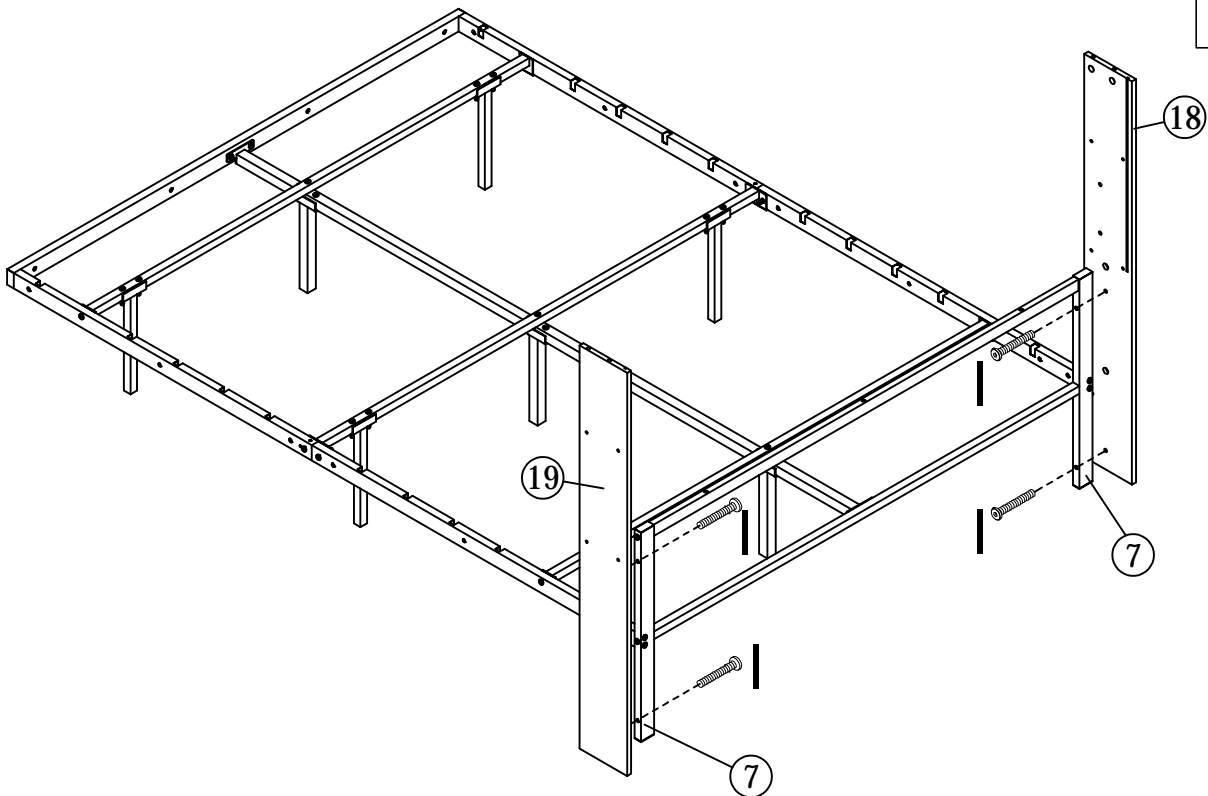
### Step 7

E	H
	
M8x12mm	M8x40mm
4PCS	8PCS




### Step 8

I

M8x50mm
4PCS



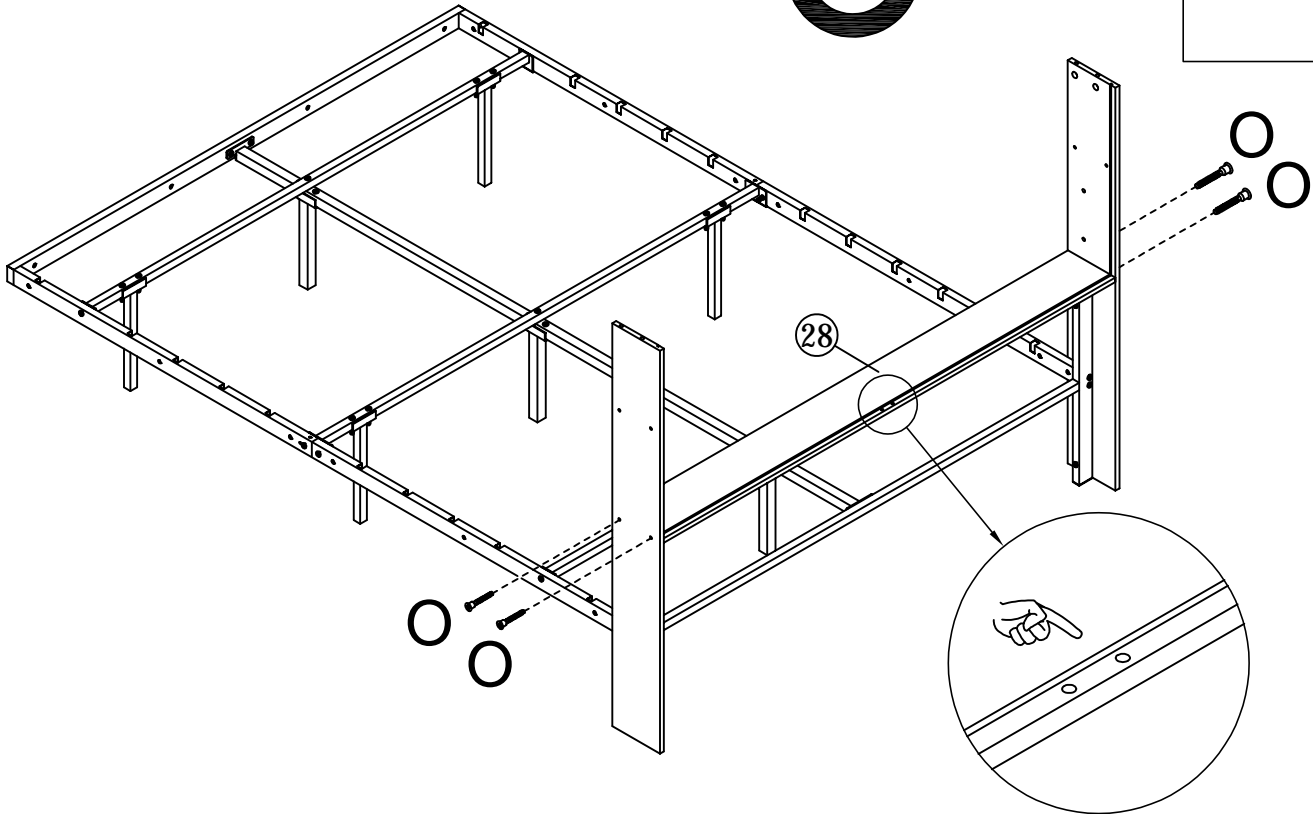
Step 9

O



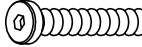
M5x38mm

4PCS



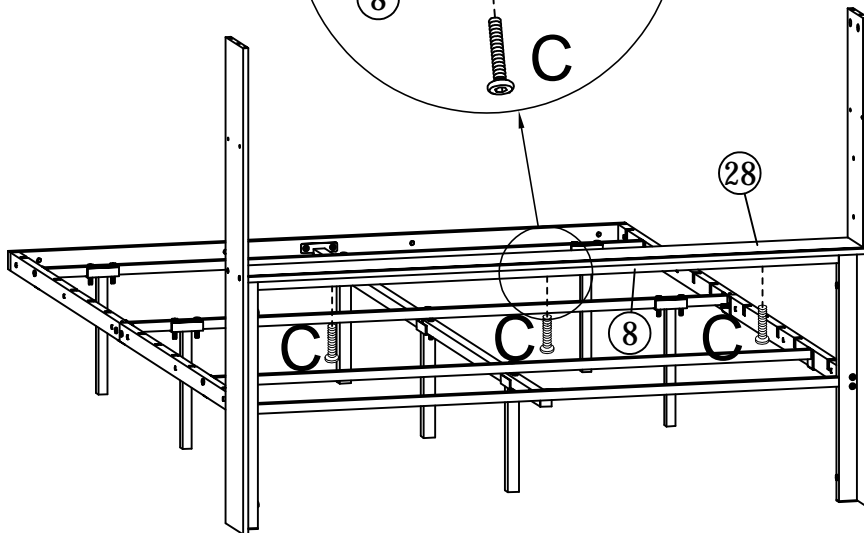
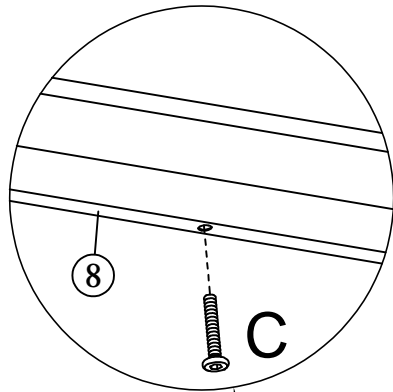
Step 10

C



M6x38mm

3PCS



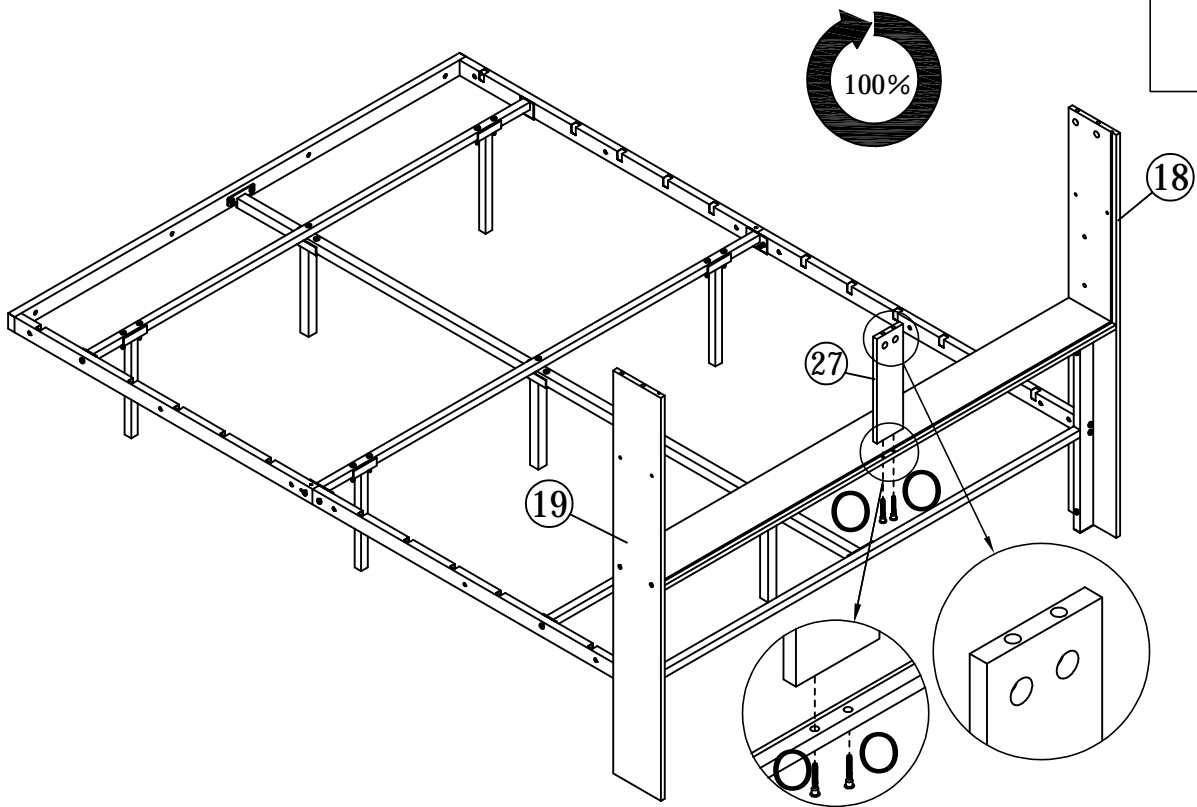
# Step 11

O

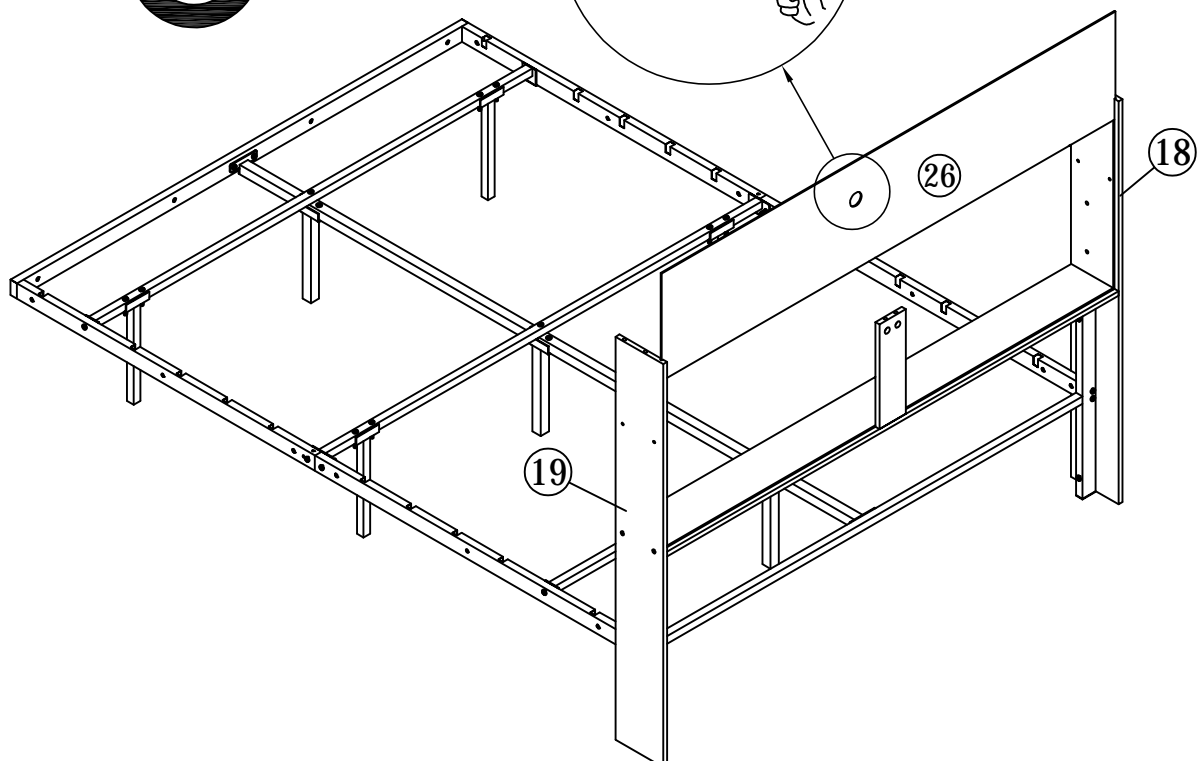
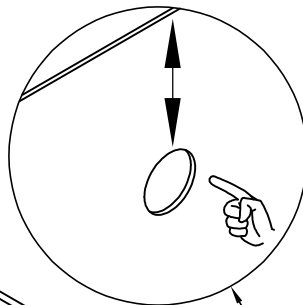


M5x38mm

2PCS

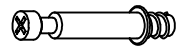


# Step 12



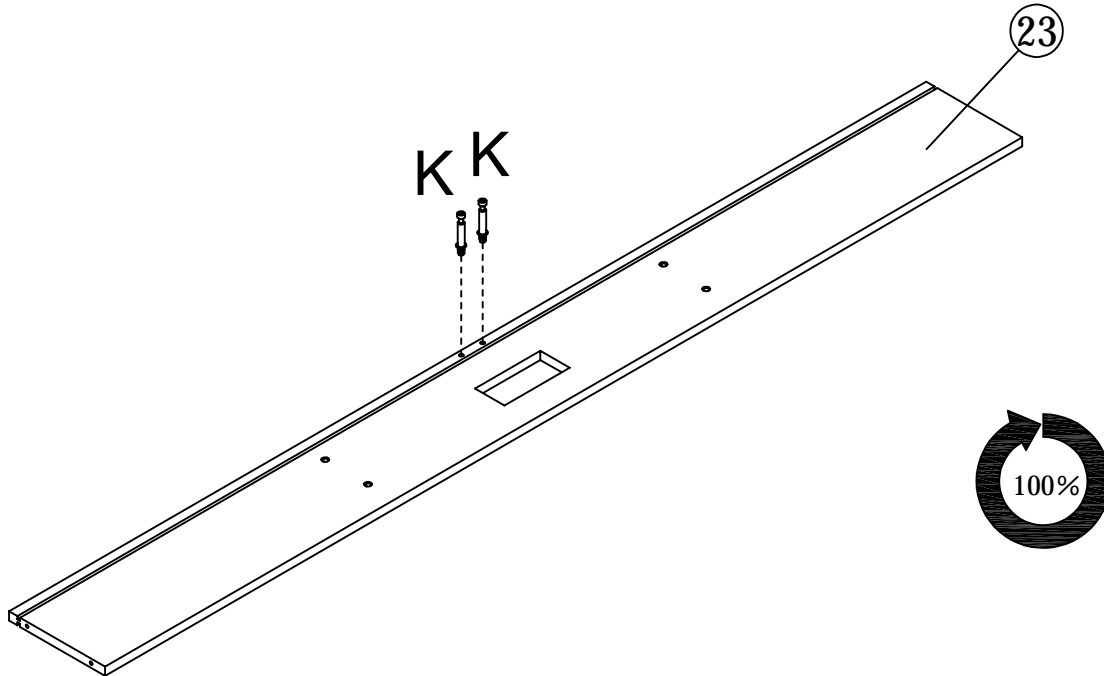
# Step 13

K

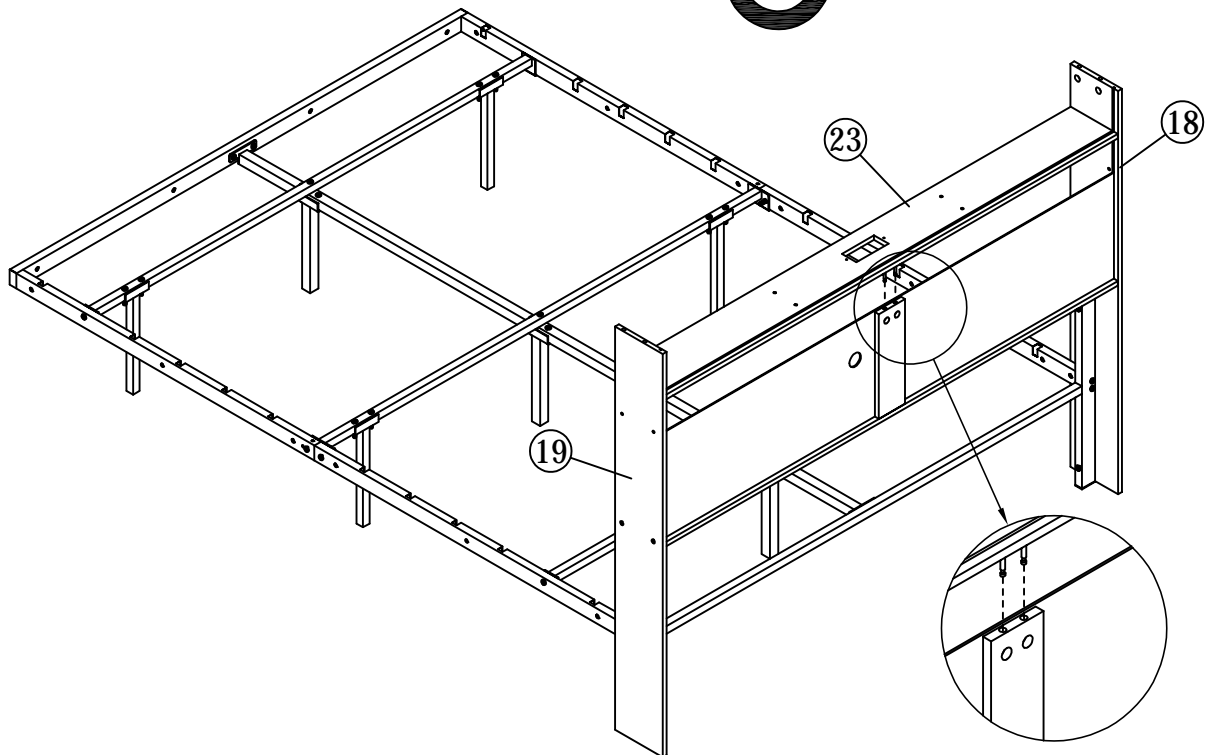


Ø6x35mm

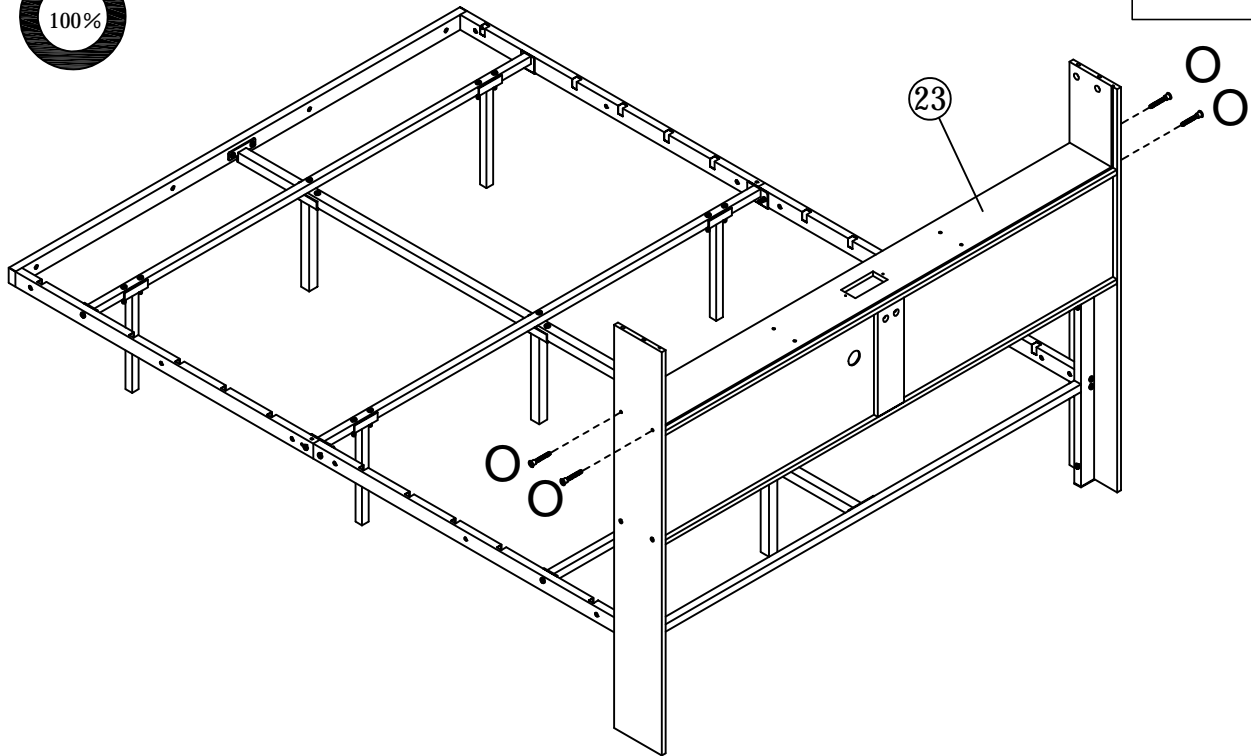
2PCS



# Step 14



# Step 15



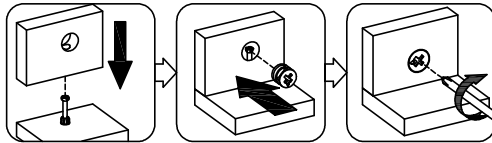
O



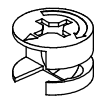
M5x38mm

4PCS

# Step 16

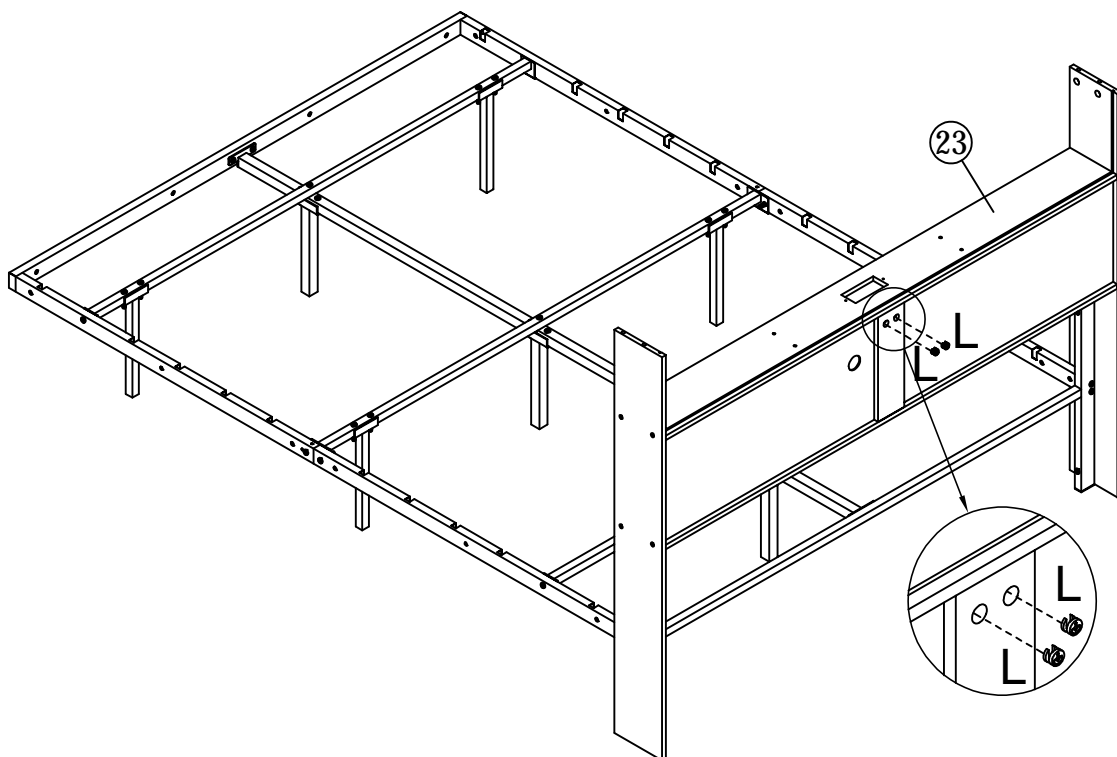


L



Ø15x10mm

2PCS





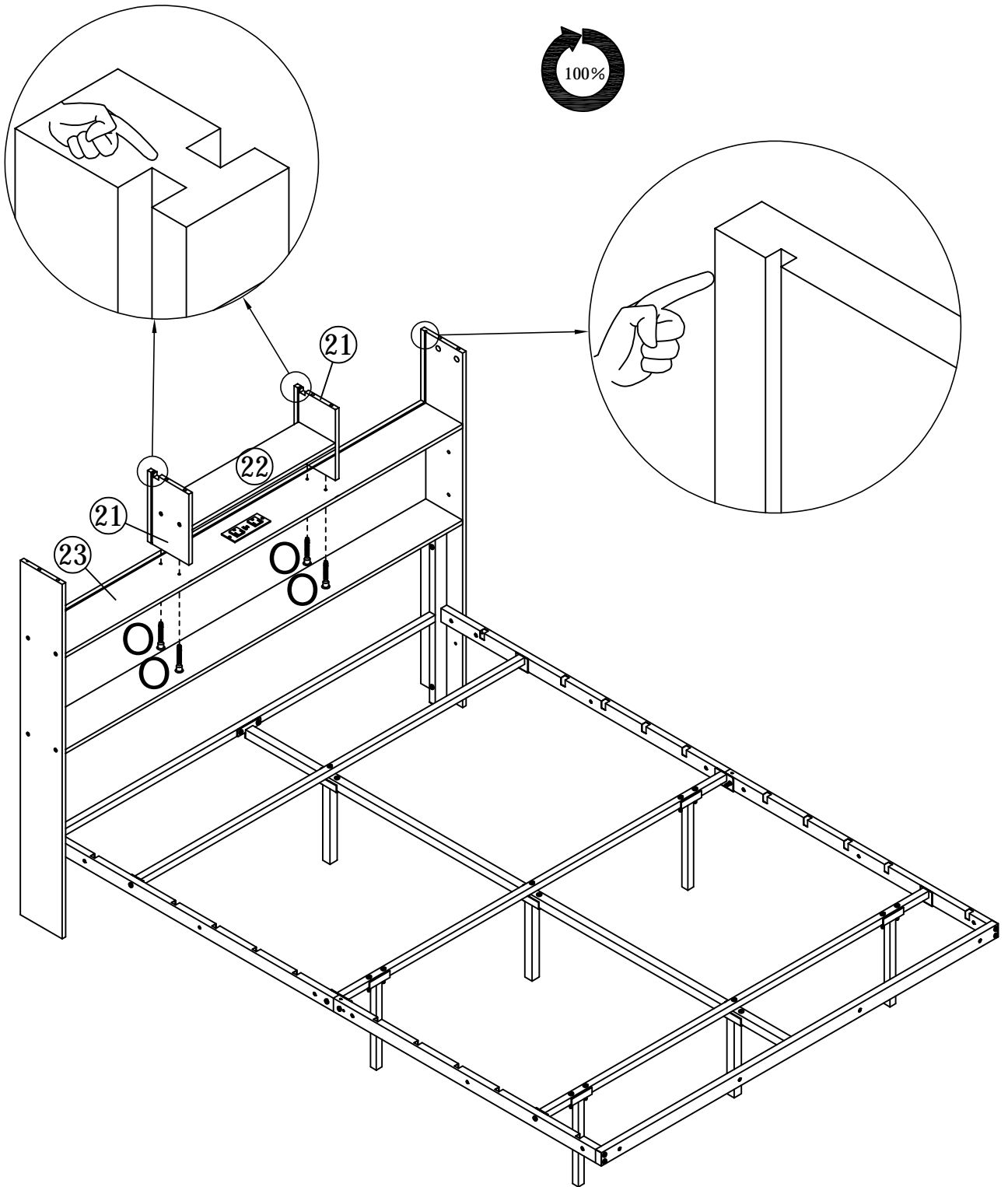
# Step 19

O

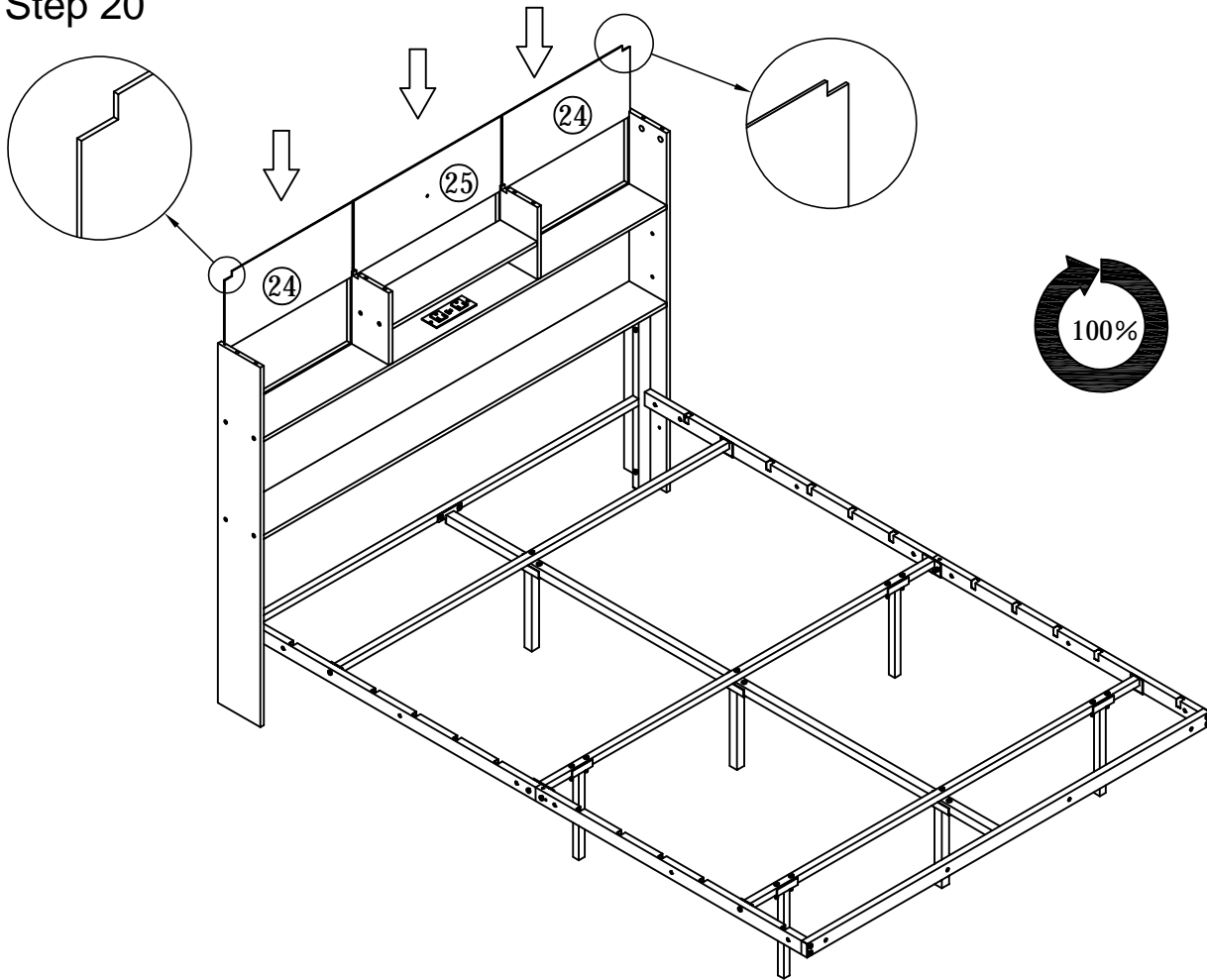


M5x38mm

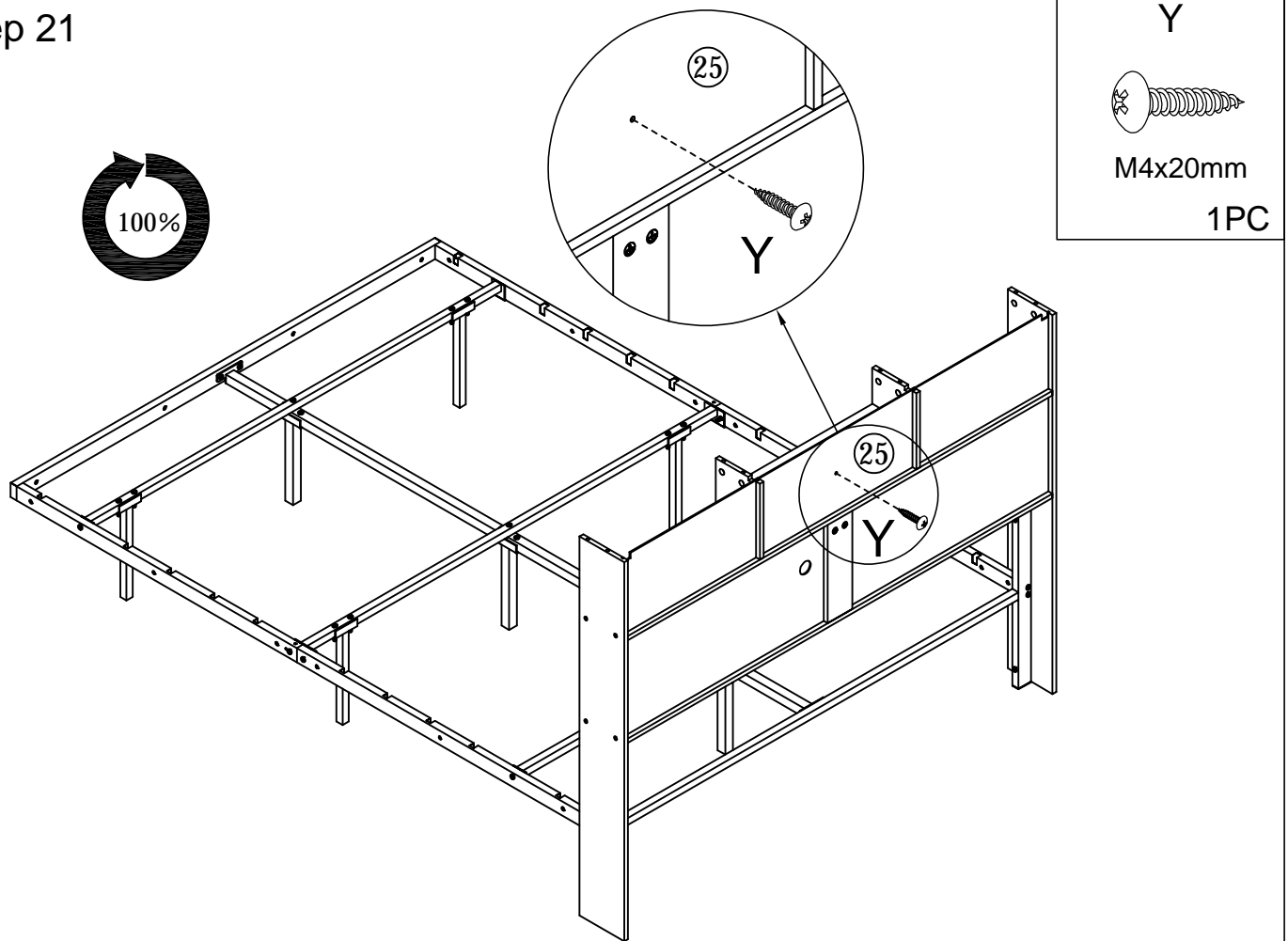
4PCS



### Step 20

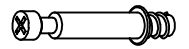


### Step 21



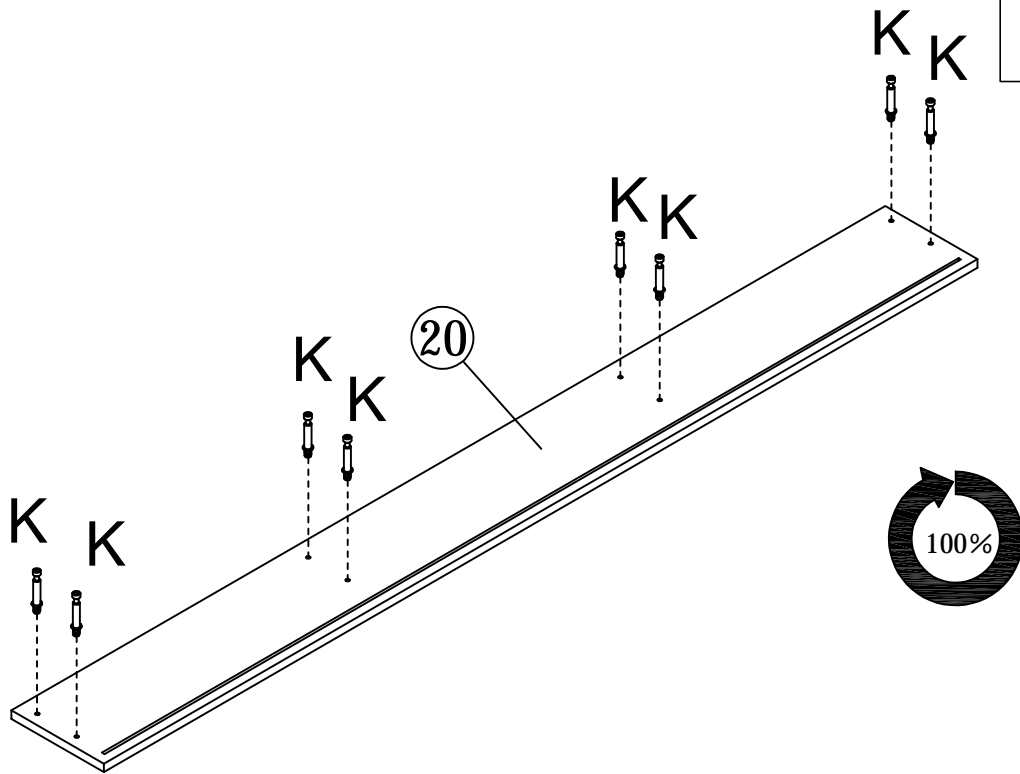
Step 22

K

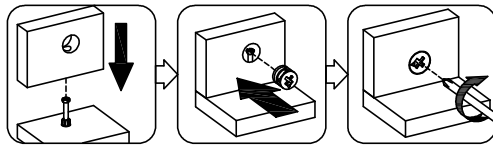


Ø6x35mm

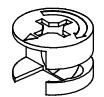
8PCS



Step 23

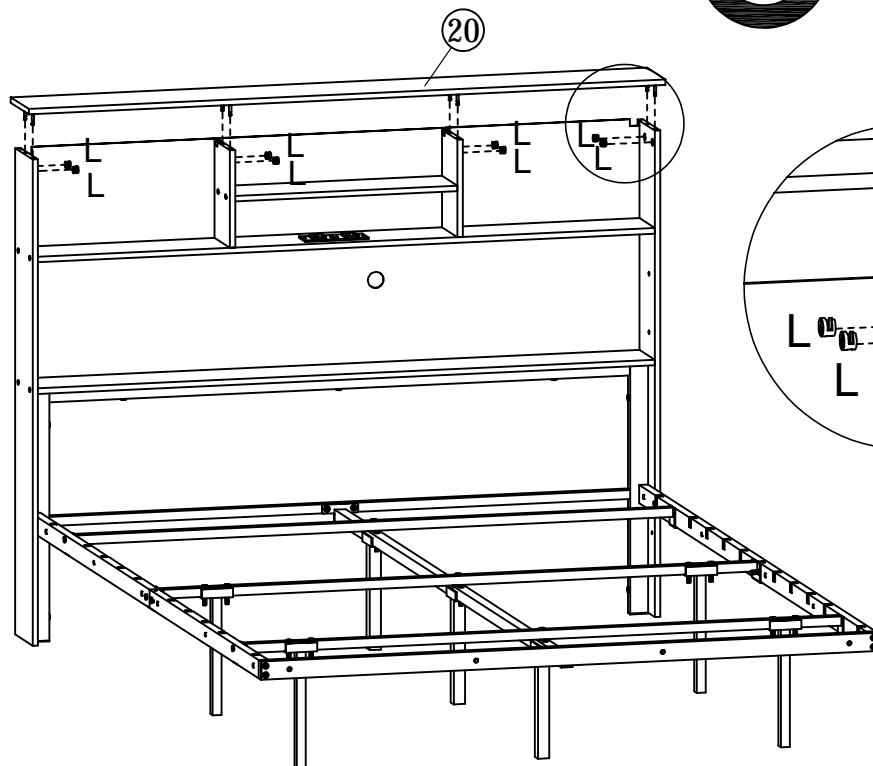


L



Ø15x10mm

8PCS



### Step 24

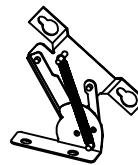
E



M8x12mm

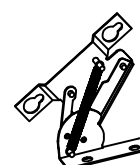
4PCS

M

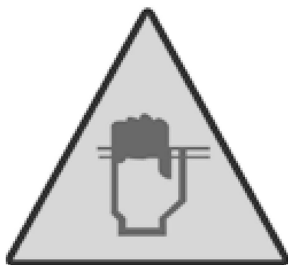
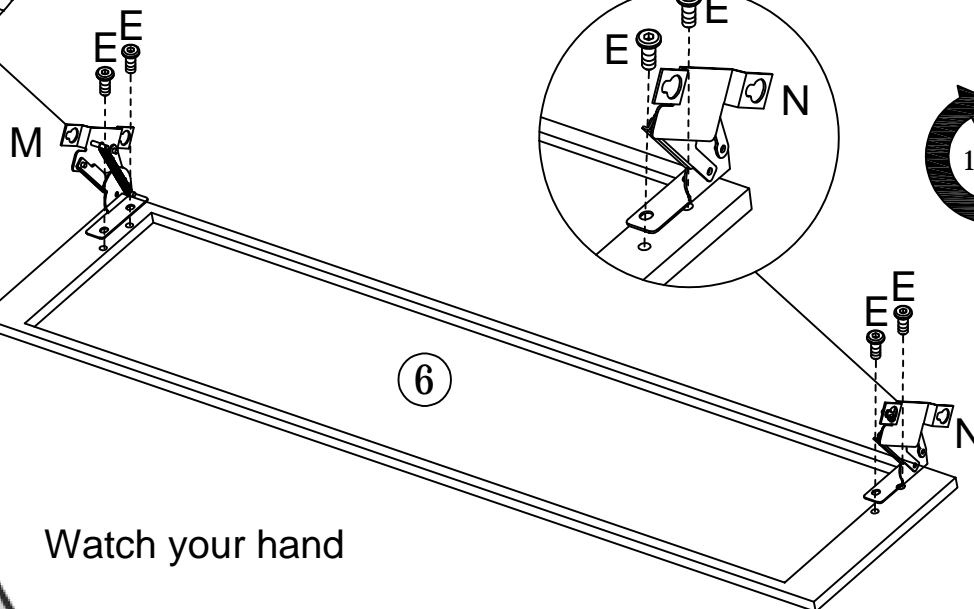
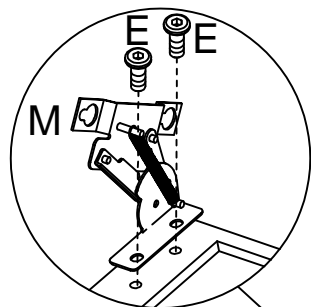


1PC

N



1PC



Watch your hand

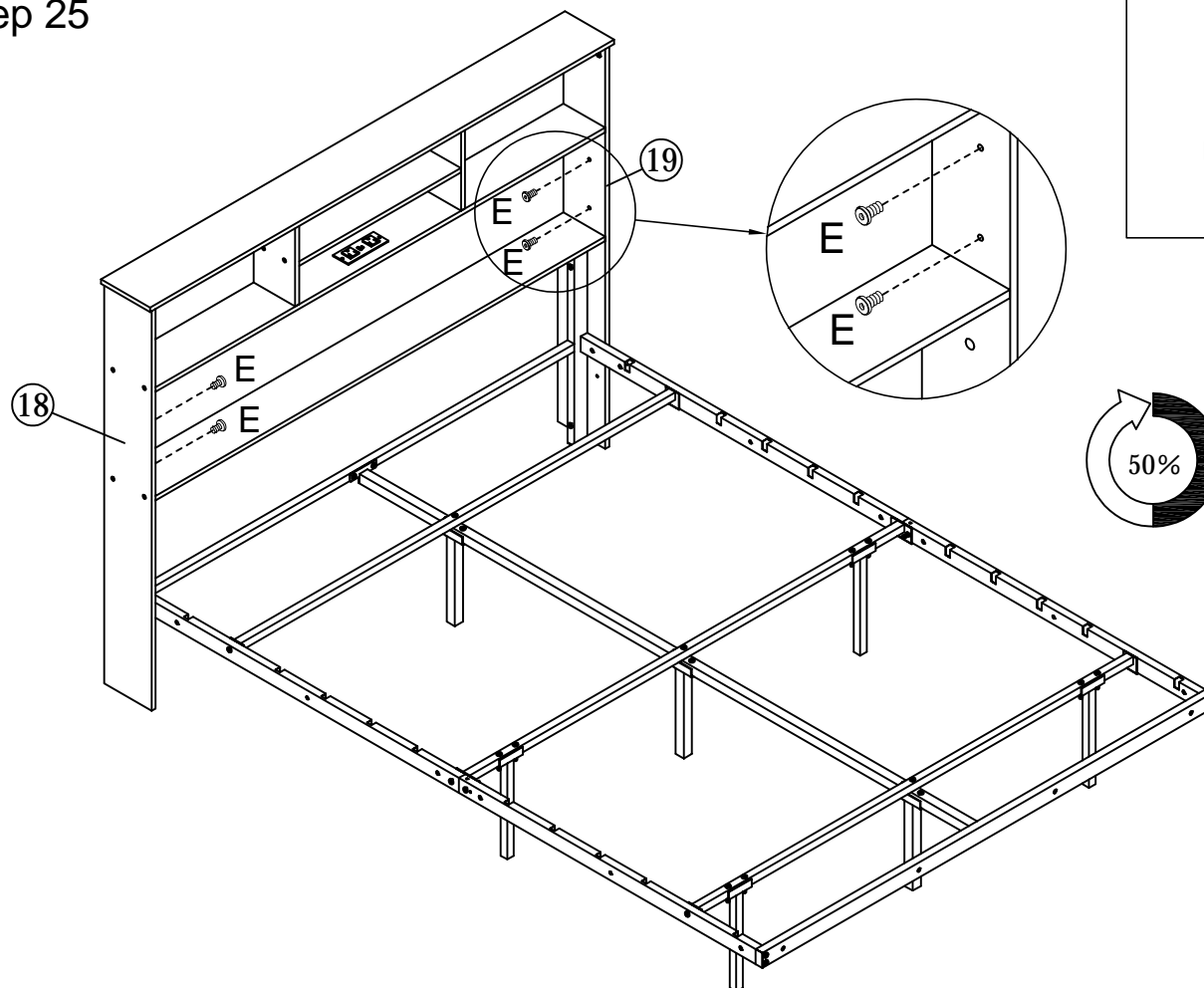
### Step 25

E

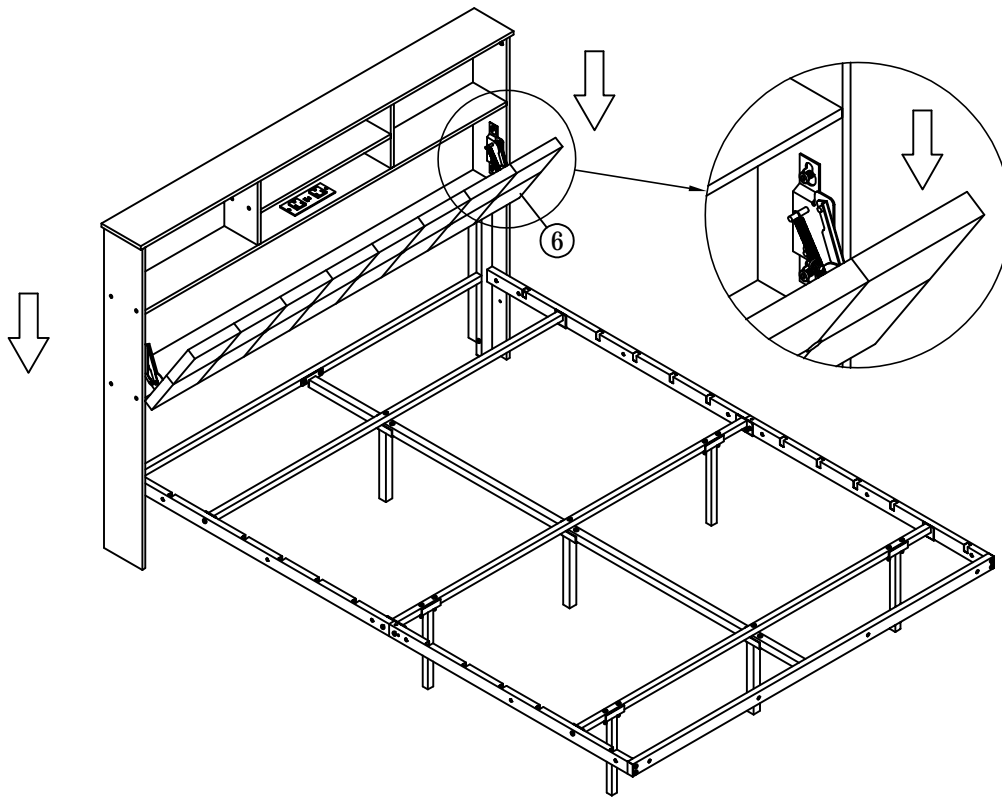


M8x12mm

4PCS

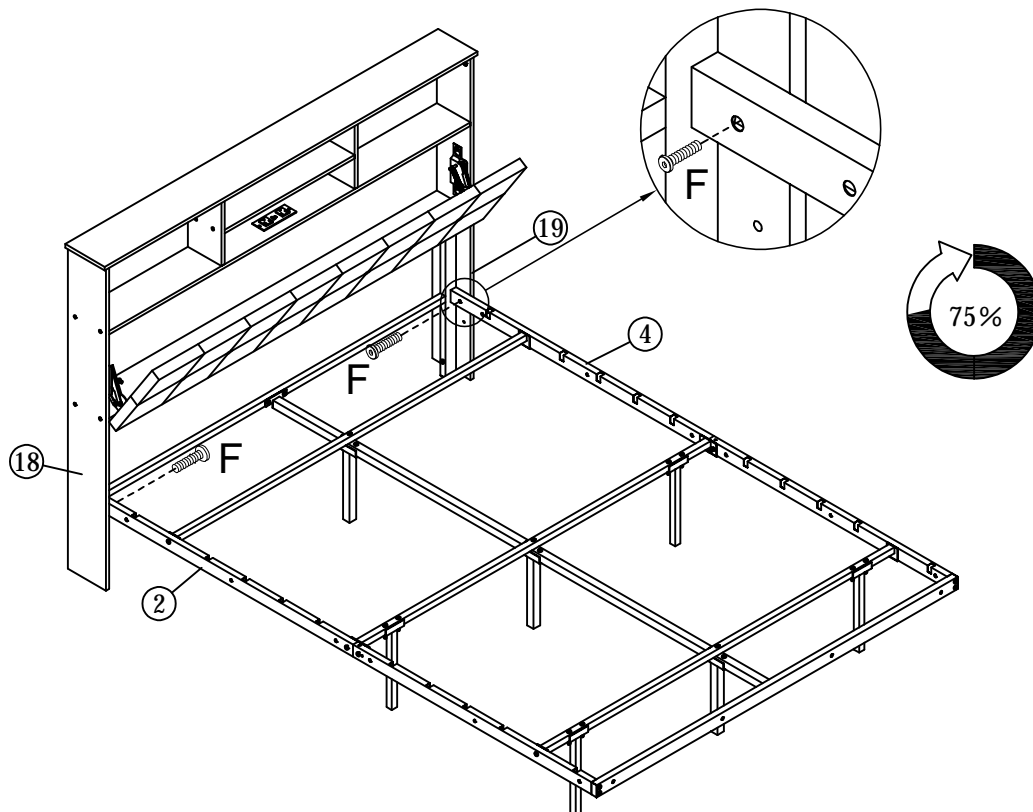


## Step 26



After completing this step,  
tighten the screws

## Step 27



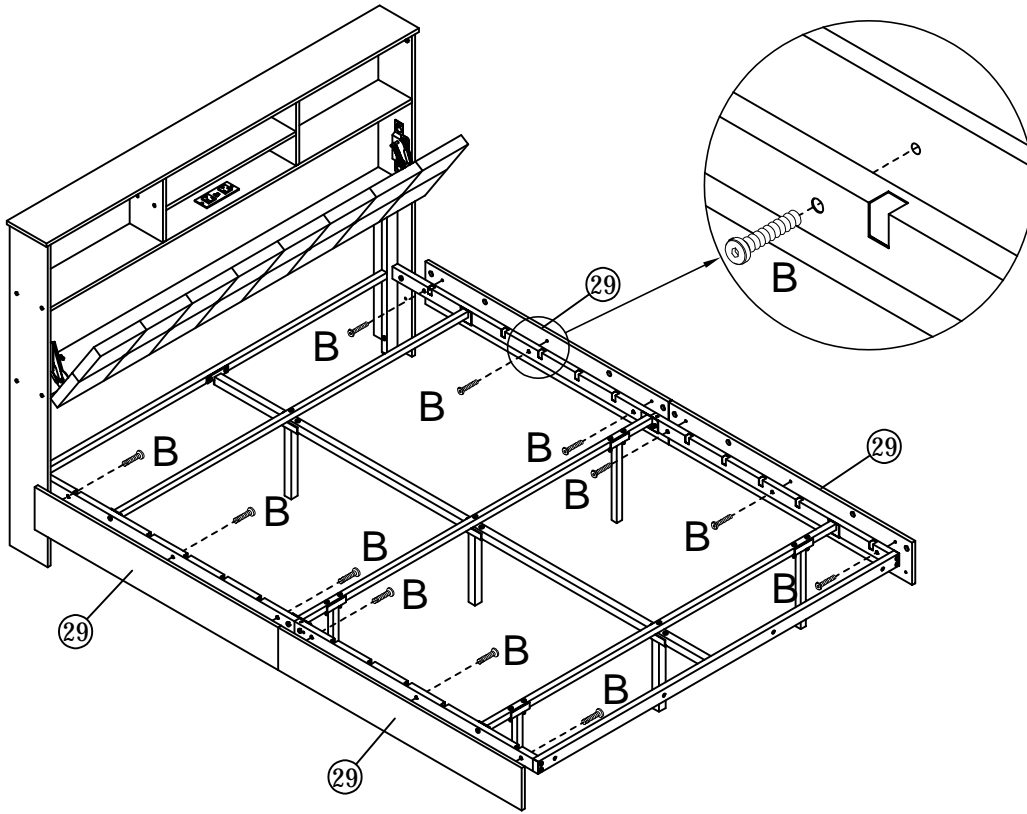
F



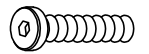
M8x28mm

2PCS

# Step 28



B

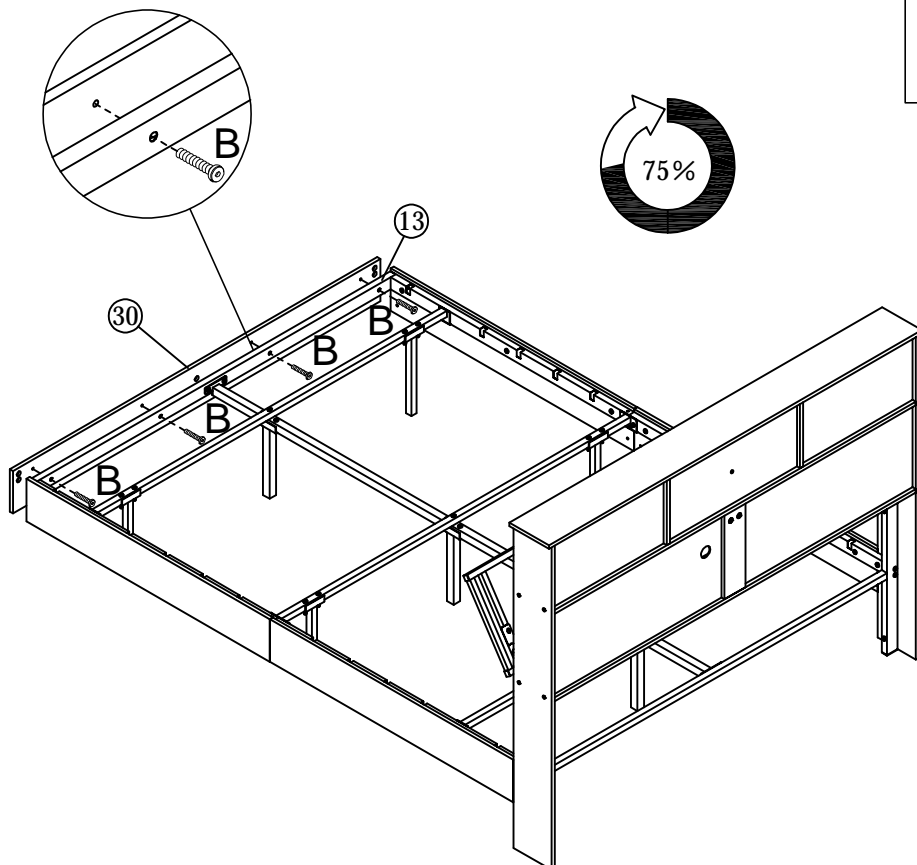


M6x28mm

12PCS



# Step 29

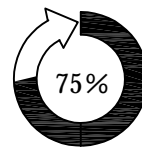


B

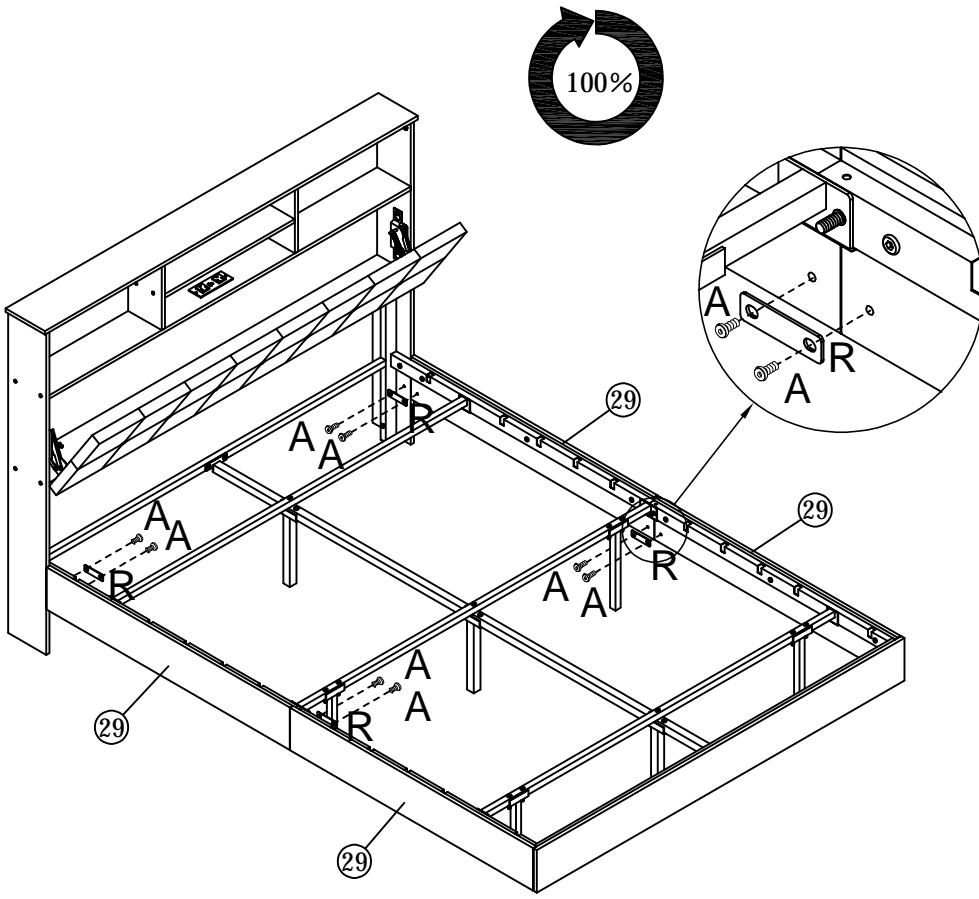


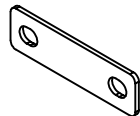
M6x28mm

4PCS

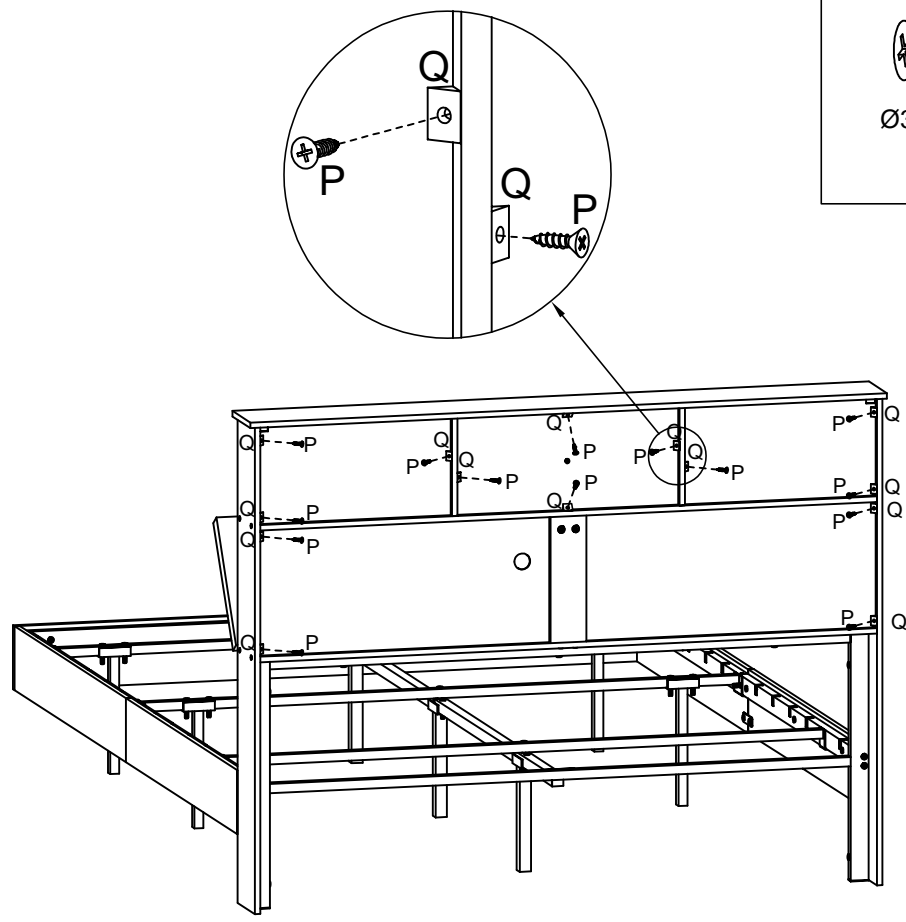


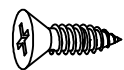
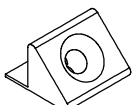
# Step 30



<p><b>A</b></p>  <p>M6x10mm</p> <p><b>8PCS</b></p>
<p><b>R</b></p>  <p><b>4PCS</b></p>

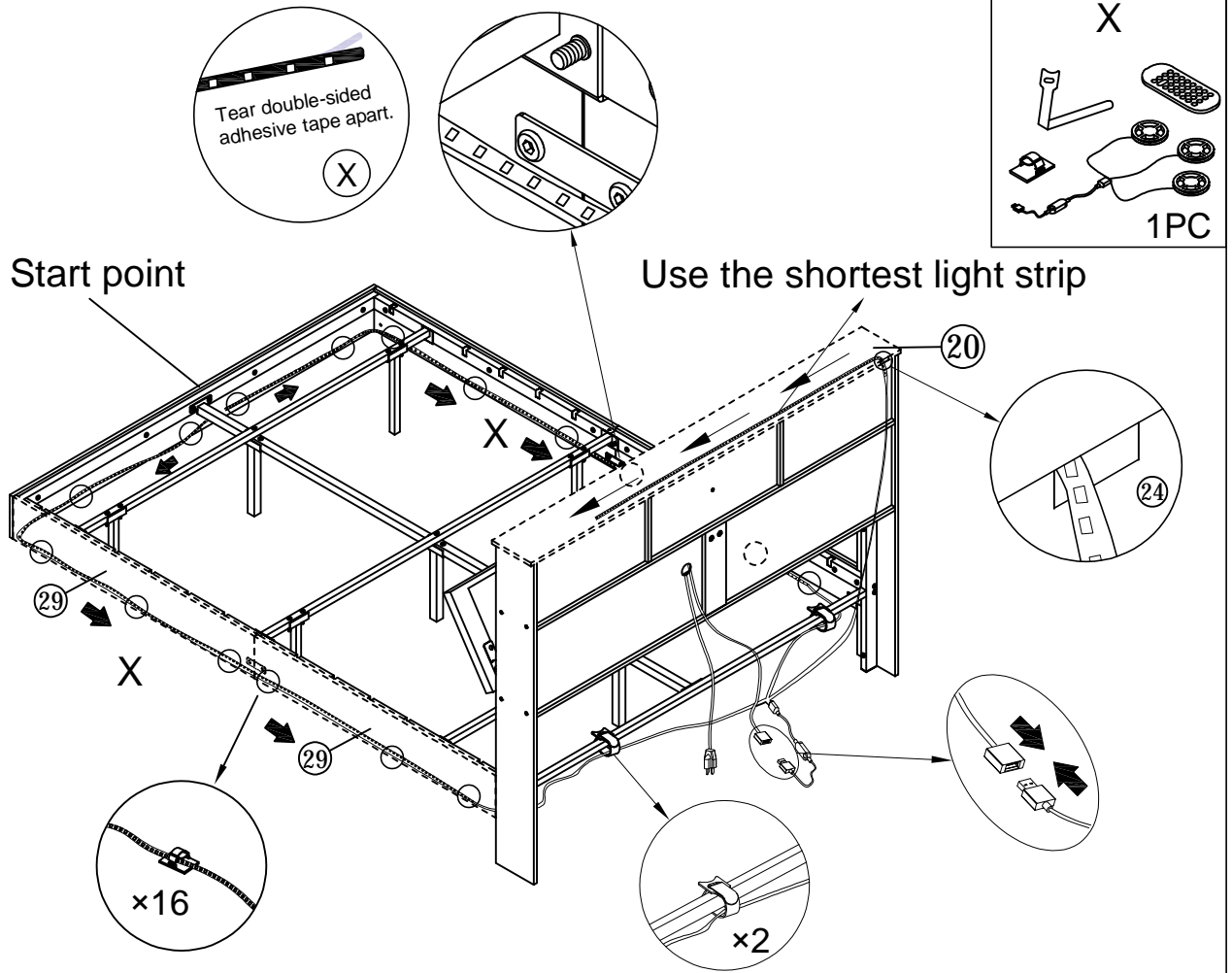
# Step 31



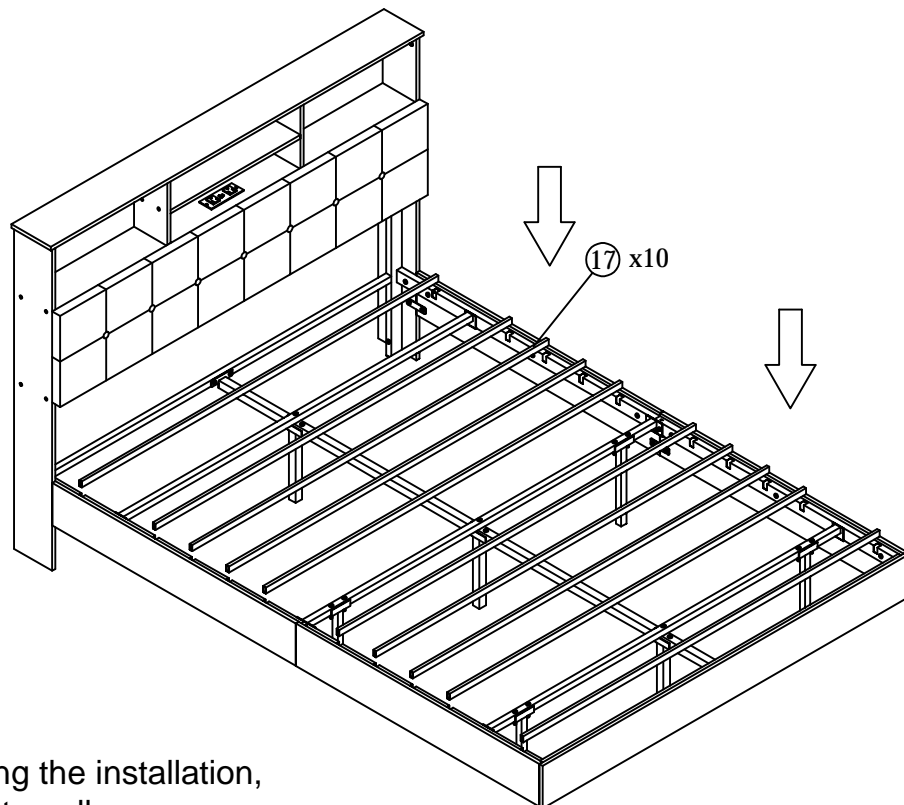
<p><b>P</b></p>  <p>Ø3.5x16mm</p> <p><b>14PCS</b></p>	<p><b>Q</b></p>  <p><b>14PCS</b></p>
--	---



### Step 32



### Step 33



After completing the installation, check and tighten all screws

Step 34

