

Curbside Mailboxes that come with a supplied wood mounting board.

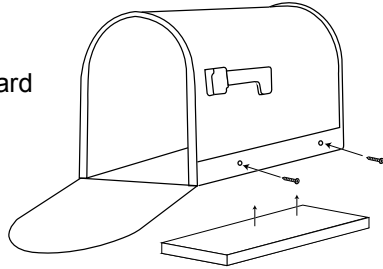
Mailbox Includes:

- One (1) fully assembled mailbox
- Four (4) 1 1/4" (no. 8) mounting screws
- One (1) wood mounting board

Assembly Instructions:

- Attach wood mounting board to any mailbox post
- Four 1 1/4" screws are supplied for attaching the mailbox to the wood mounting board.

(Make sure board does not interfere with door operation.)



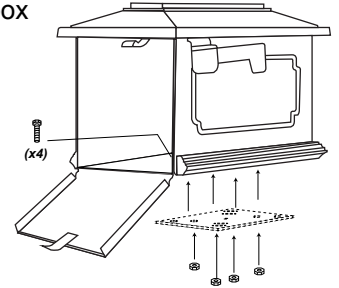
Curbside Mailboxes with NO mounting board required.

Mailbox Includes:

- One (1) fully assembled mailbox
- Four (4) 1/4-20 x 1" hex bolts, and four (4) 1/4-20 nuts

Assembly Instructions:

- Place 4 hex bolts through the floor of the mailbox and top of the mailbox mounting bracket
- Secure bolts with supplied nuts



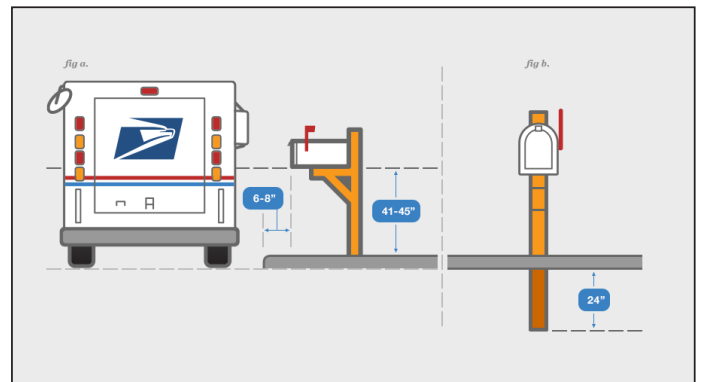
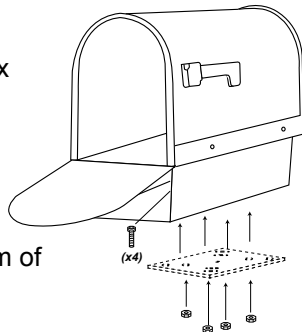
Curbside Mailboxes with Paper Tubes

Mailbox Includes:

- One (1) fully assembled mailbox and paper tube
- Four (4) 1/4-20 x 1" hex bolts, and four (4) 1/4-20 nuts

Assembly Instructions:

- Place 4 bolts through the bottom of the paper tube and the mailbox mounting bracket
- Secure bolts with supplied nuts



Customers are encouraged to contact the local post office before installing the mailbox to ensure its correct placement and height at the street.

Generally, mailboxes are installed at a height of 41 - 45 inches from the road surface to inside floor of the mailbox or point of mail entry (locked designs) and are set back 6-8 inches from front face of curb or road edge to the mailbox door.