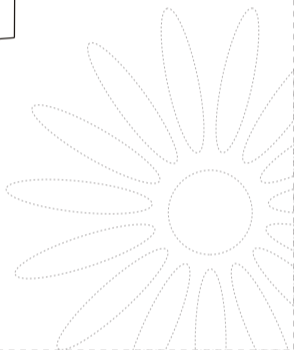
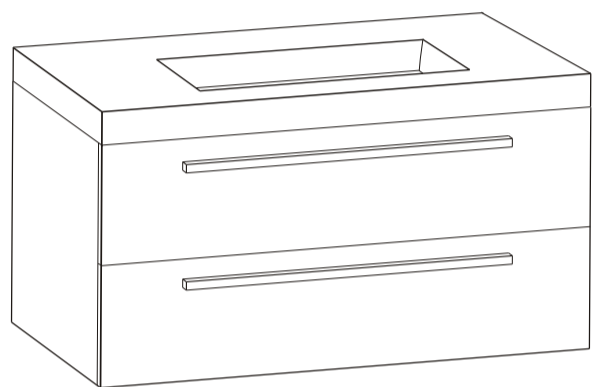
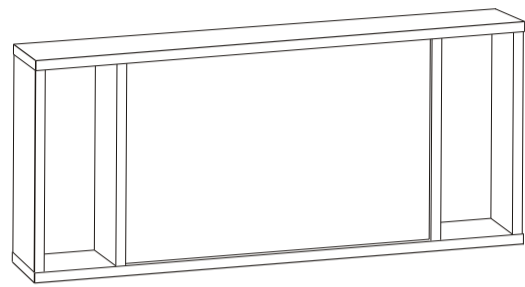
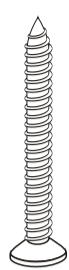


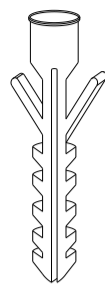
# Installation Guide



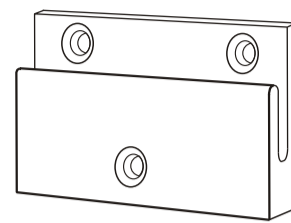
## MIRROR



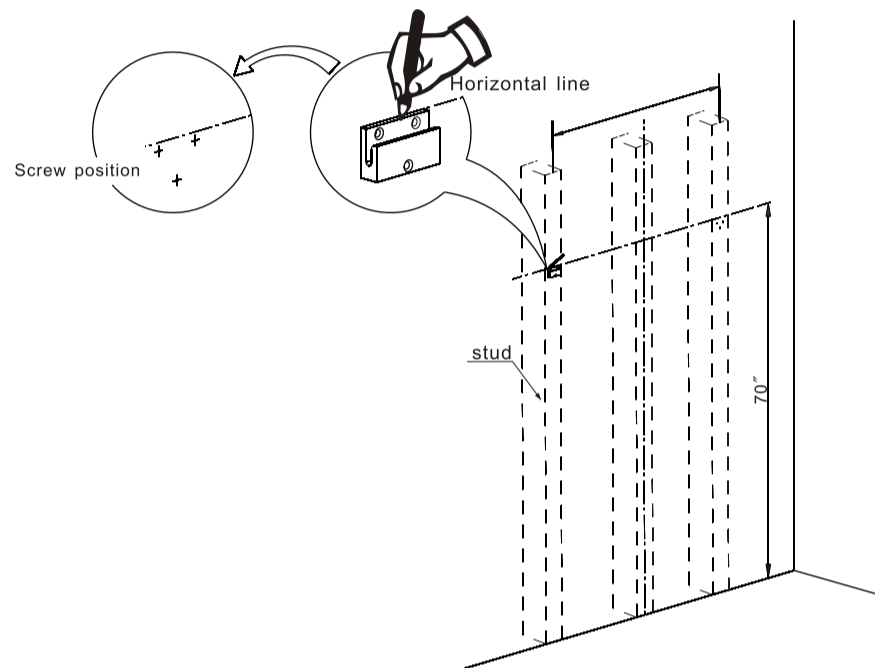
9B



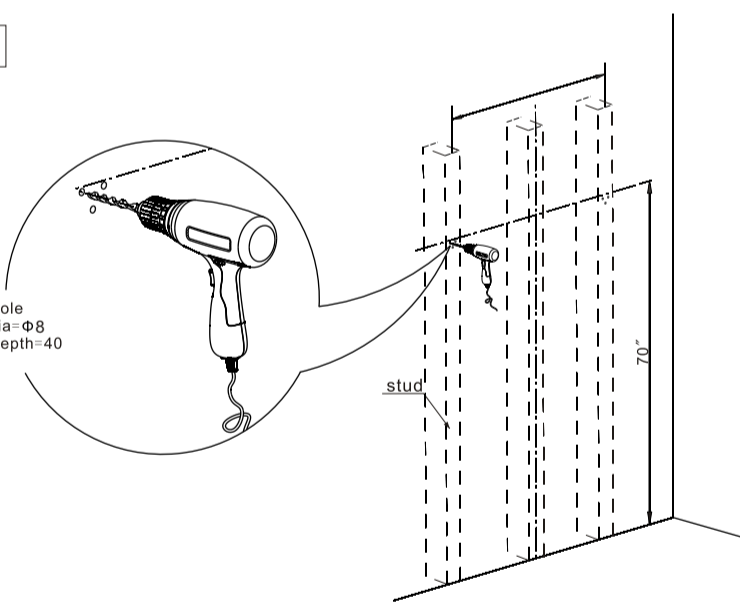
9C



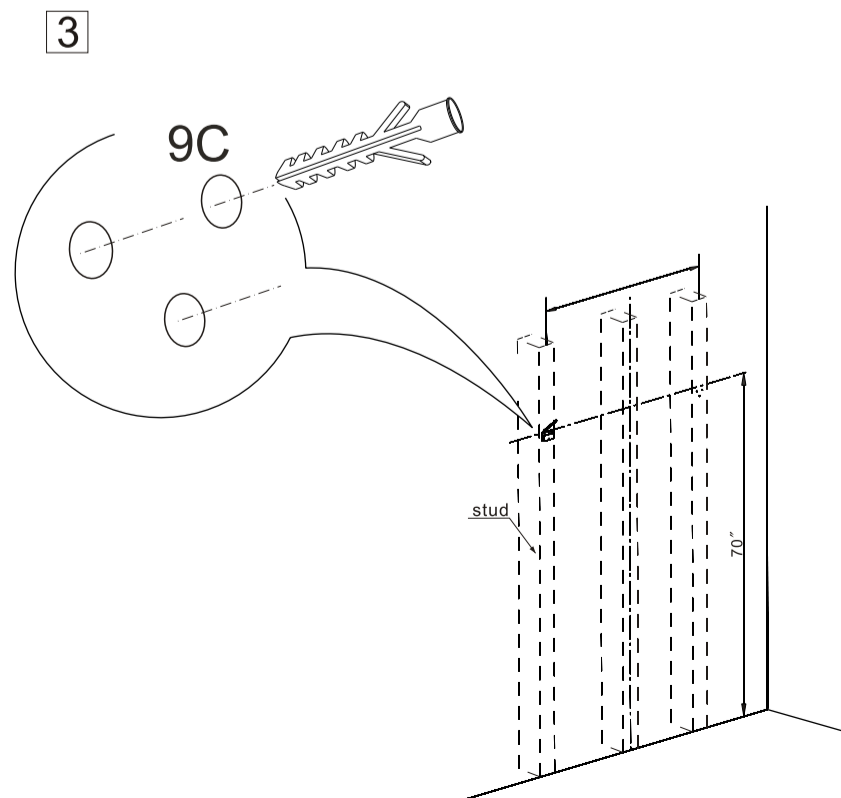
3D



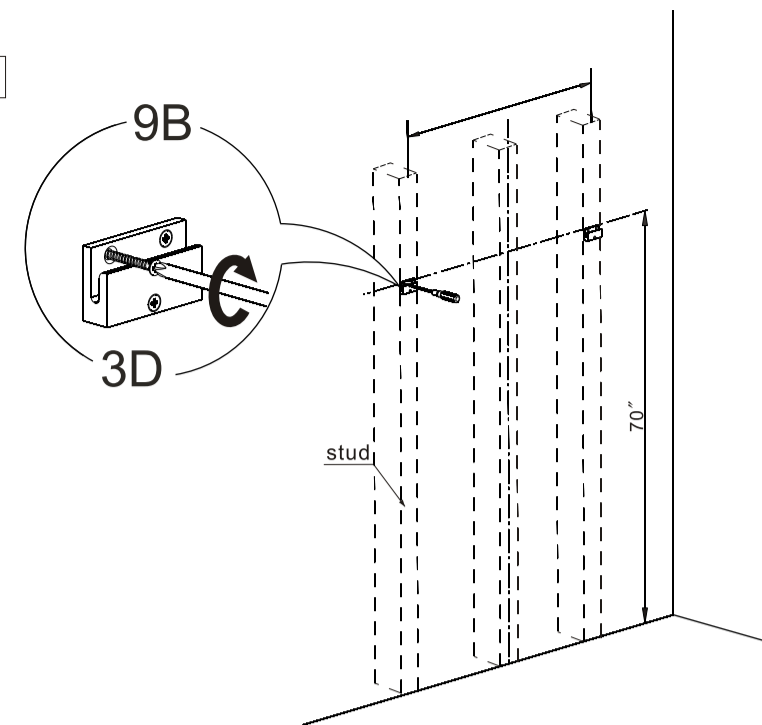
2



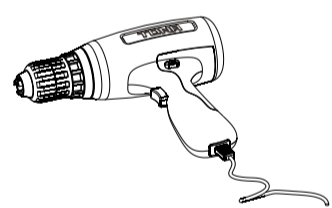
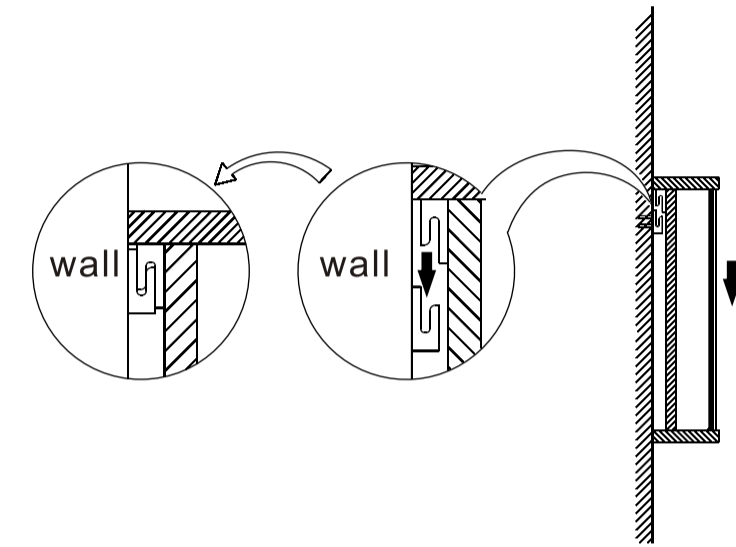
3



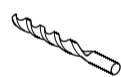
4



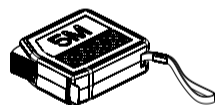
5



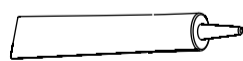
Electric drill



Drill bit  
(Φ8)



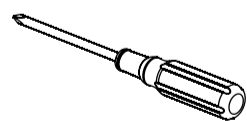
Tape measure  
(3m~5m)



Silicone

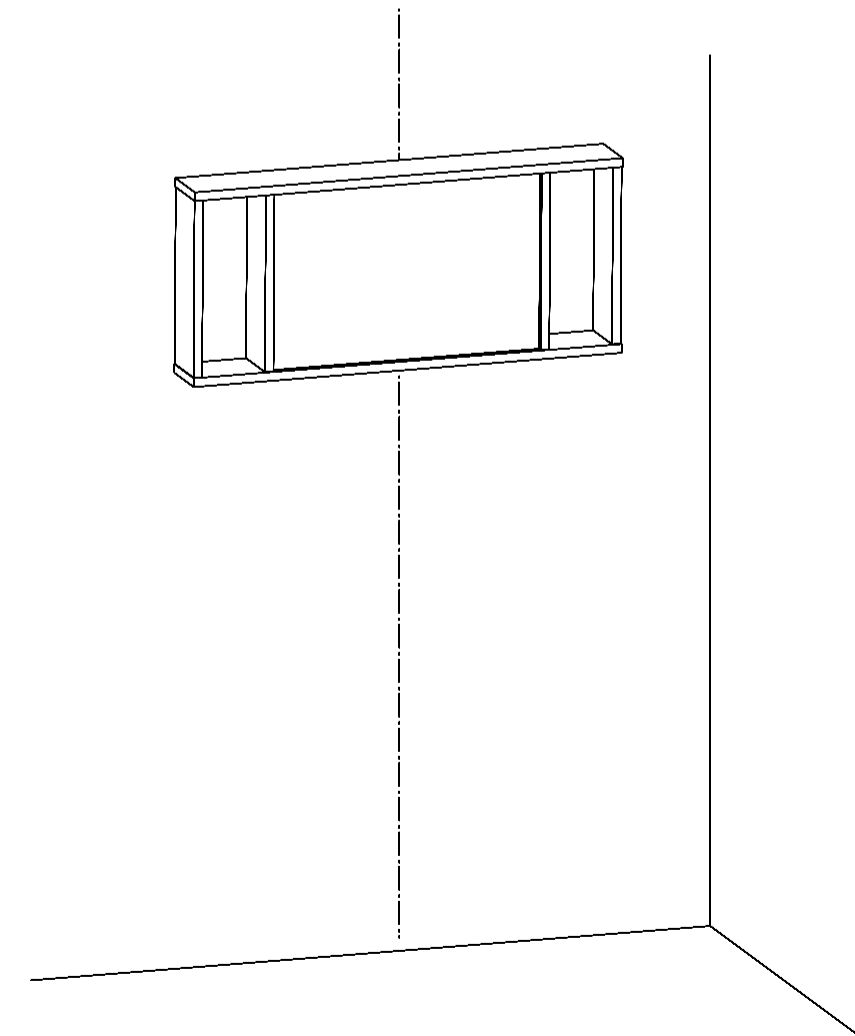


Pencil

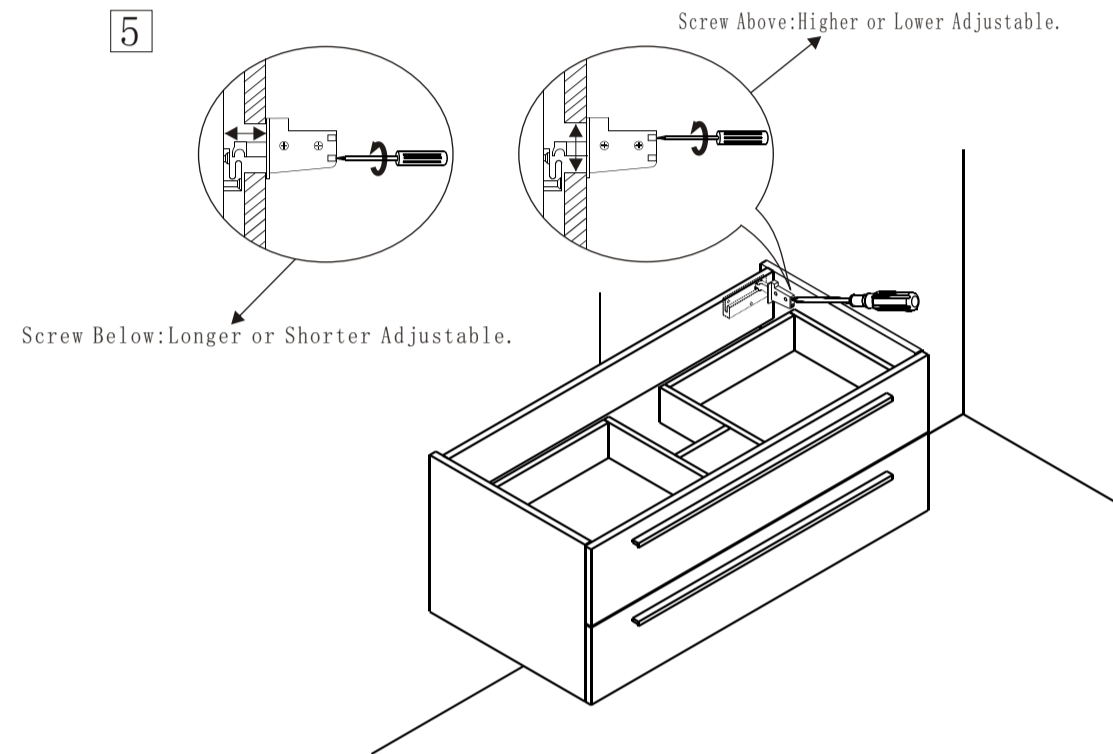
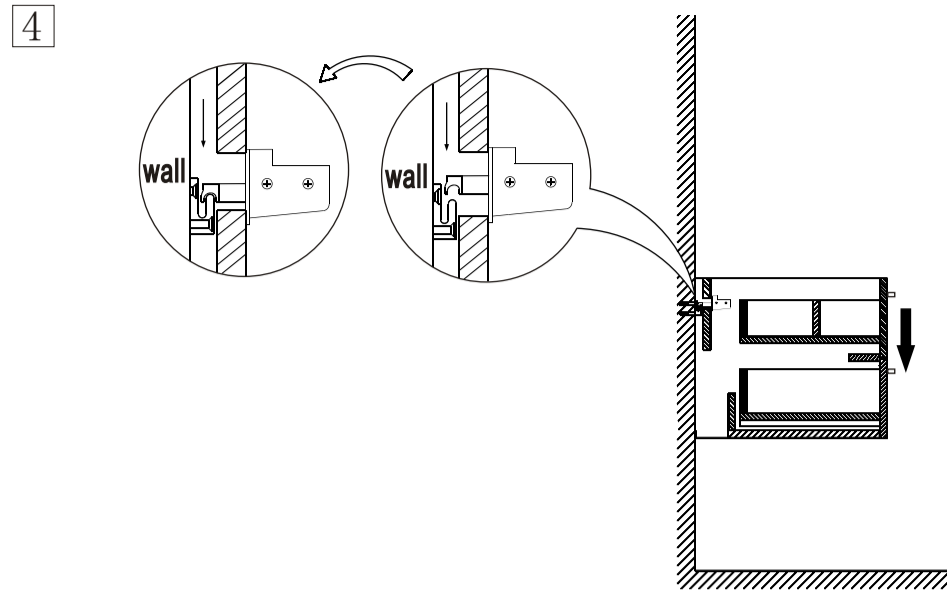
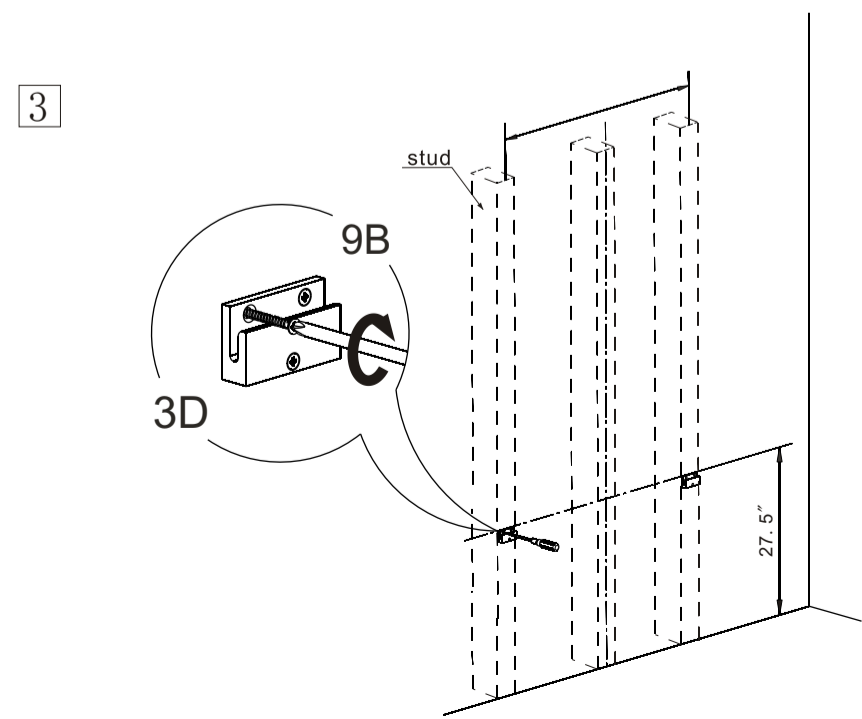
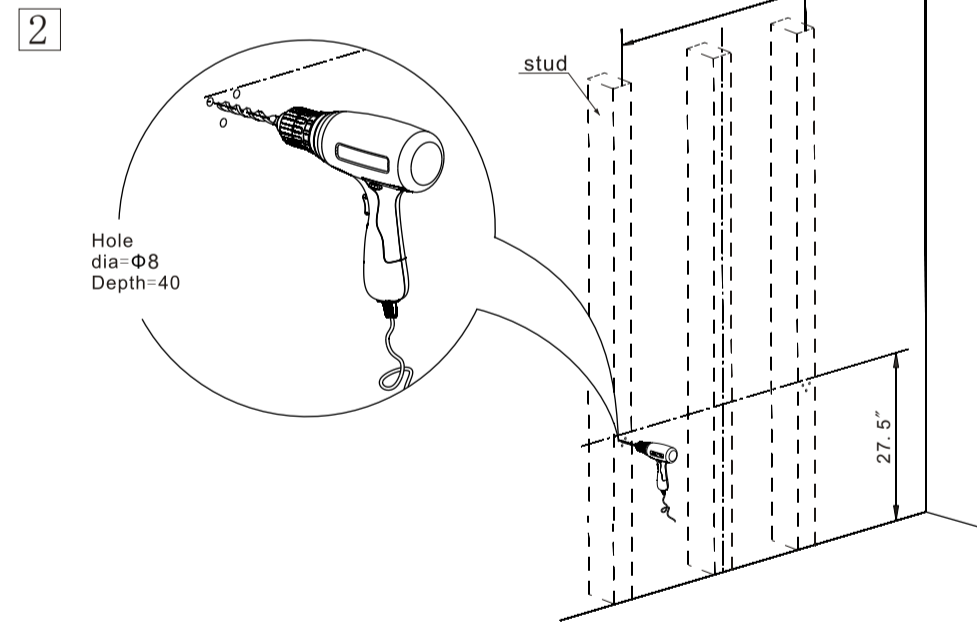
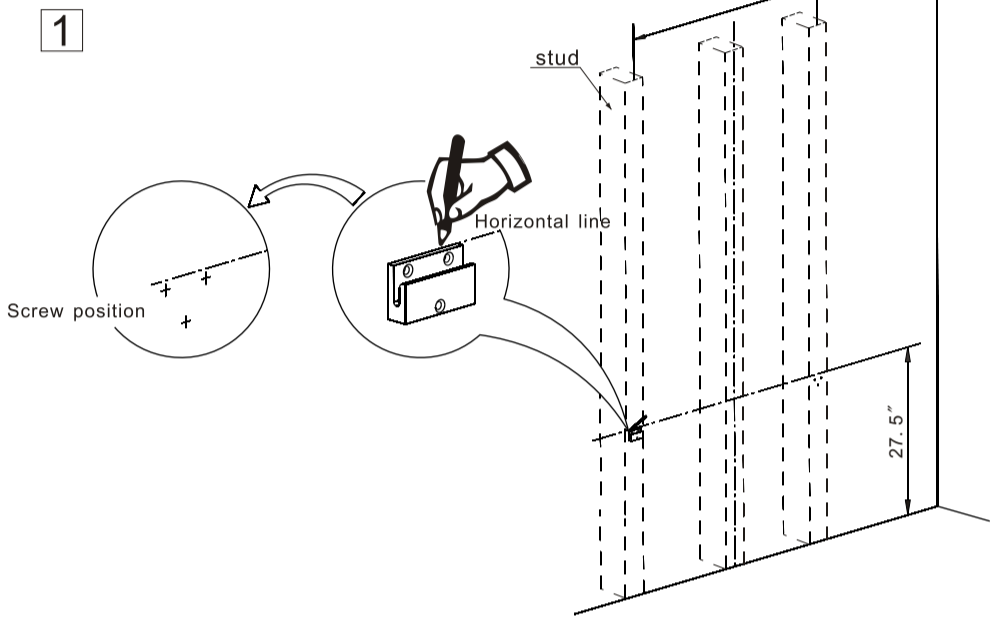
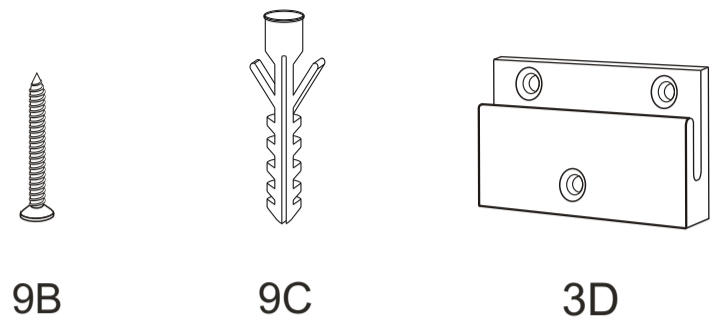


Screwdriver

Tools required for installation

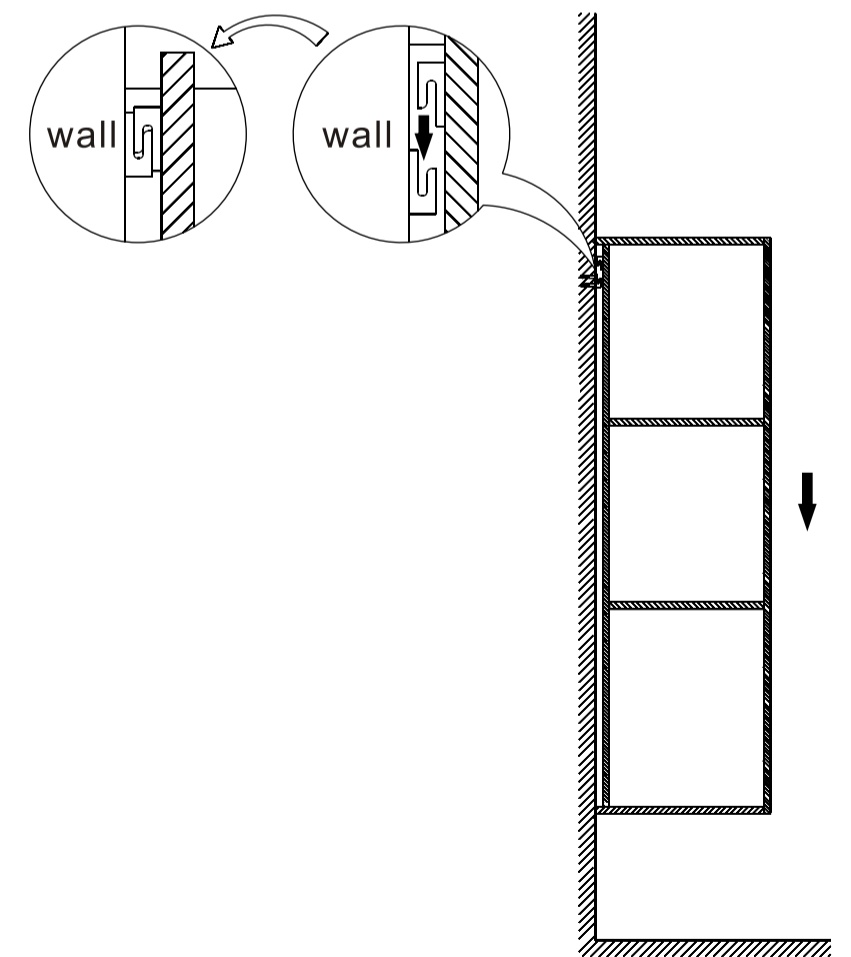
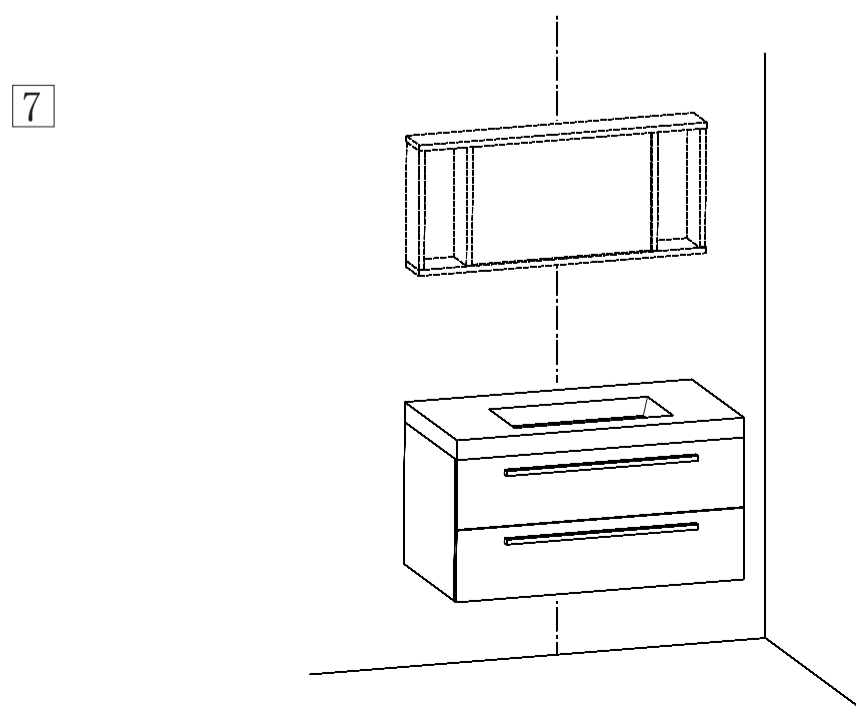
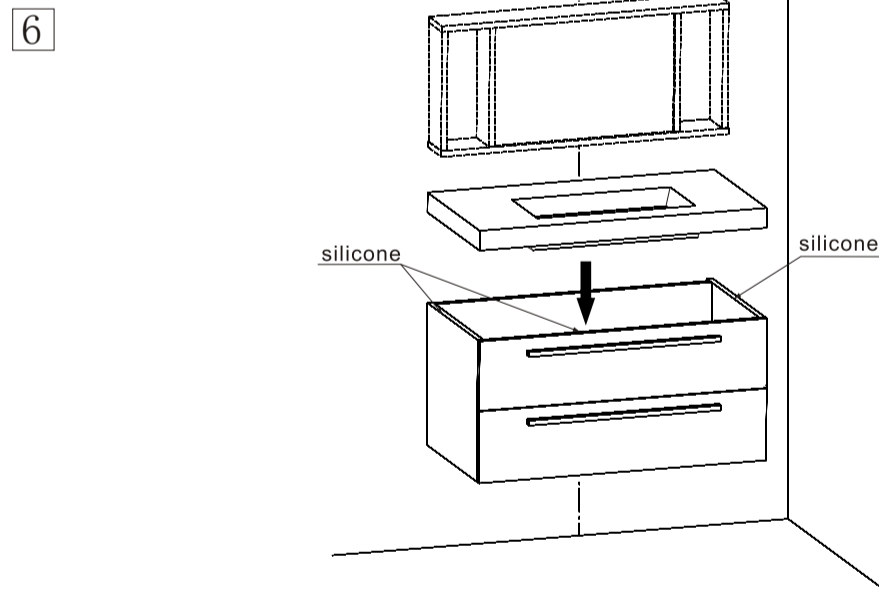
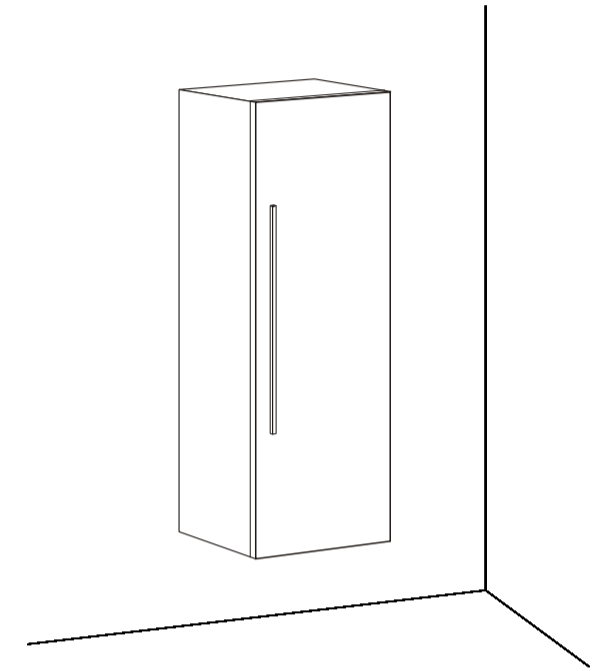


# CABINET



# STORAGE

(Select)



Remark: if there is logical adjustment.  
It will not be another notify.