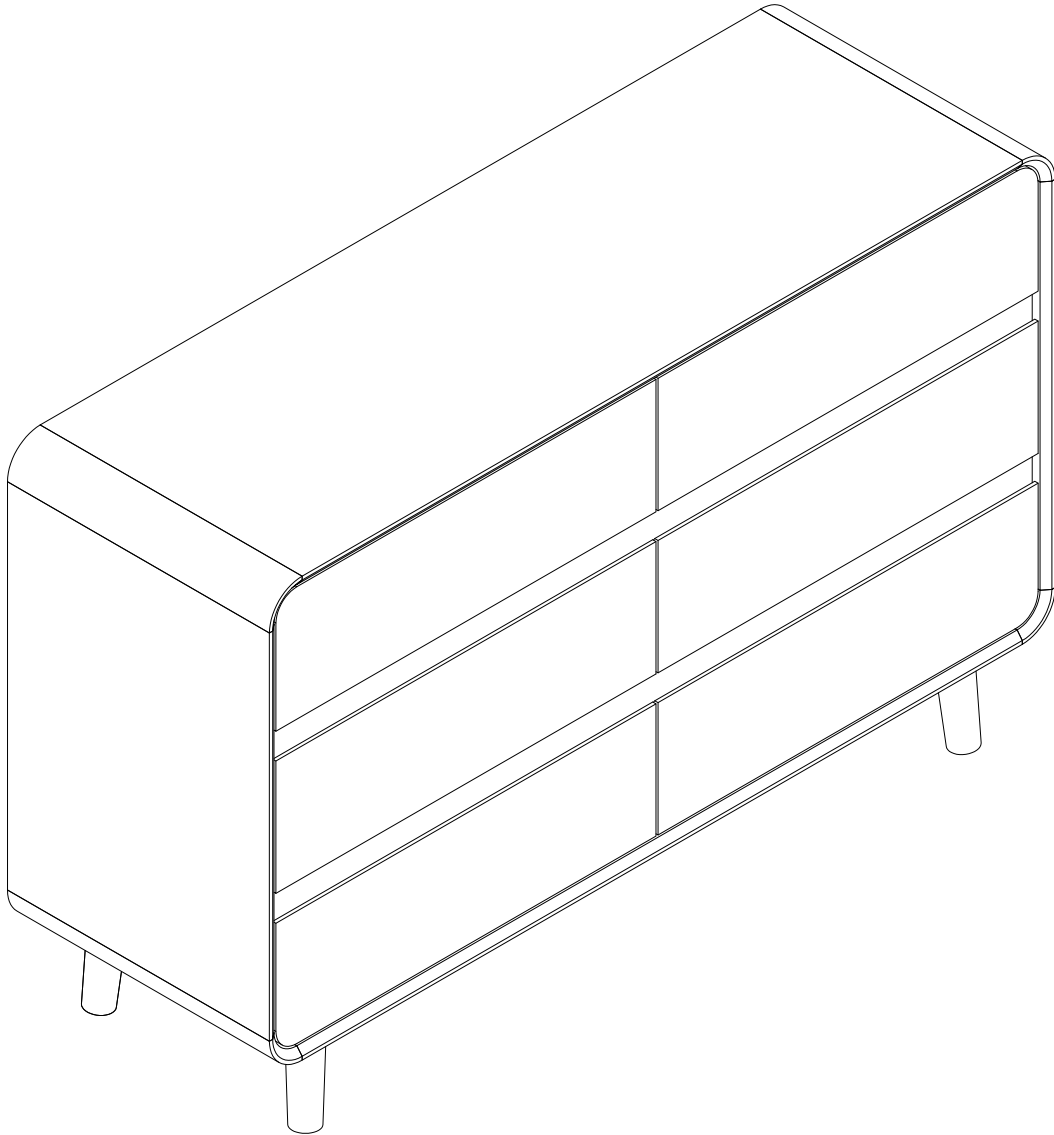


# AP038 Assemble Instruction

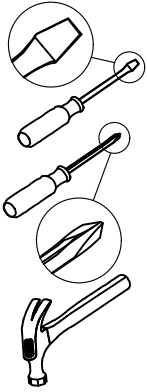
---



As this item contains many parts, please read the installation instruction carefully before installation . Please use tools properly and carefully. If you have any questions about the product and installation, please contact us.

[xindongbrand@163.com](mailto:xindongbrand@163.com)

# Before You Start

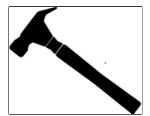
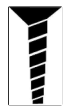
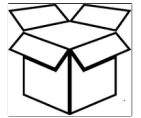


- ✓ Read through each step carefully and follow the proper order
- ✓ Separate and count all your parts and hardware
- ✓ Give yourself enough room for the assembly process
- ✓ Have the following tools: Flat Head Screwdriver, #2 Phillips Head Screwdriver and Hammer
- ✓ Caution: If using a power drill or power screwdriver for screwing, please be aware of to slow down and stop when screw is tight. Failure to do so may result in stripping the screw. (Assembly speed can be increased by using electric screwdriver)

# Helpful Hints

## PEOPLE NEEDED FOR ASSEMBLY: 1-2

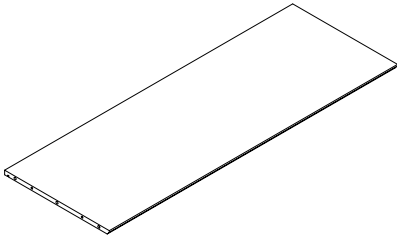
- Open your item in the area you plan to keep it to avoid excessive heavy lifting.
- Identify, sort and count the parts before attempting assembly.
- Compression dowels are lightly tapped in with a hammer.
- Slides are labeled with an **R** (right) and **L** (left) for proper placement.
- Make sure to always face the point on the top of the Cam Lock towards the outer edge.
- If there is a back panel in the package, please install it to make sure your unit is complete and sturdy.
- Please fix all the screws provided for the back panel which can enhance product stability. If it is difficult to fix it when tightening, it can be fixed with the help of a hammer and then tightened.
- Do NOT use harsh chemicals or abrasive cleaners on this item.
- Never push, pull, or drag your furniture.



---

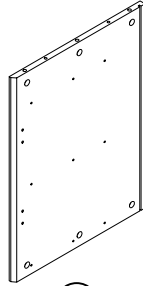
# Board Identification

Not actual size



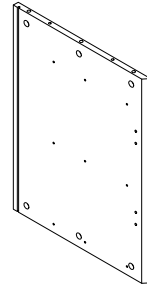
①

Qty: 1



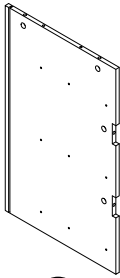
②

Qty: 1



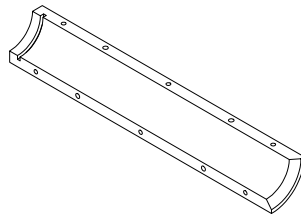
③

Qty: 1



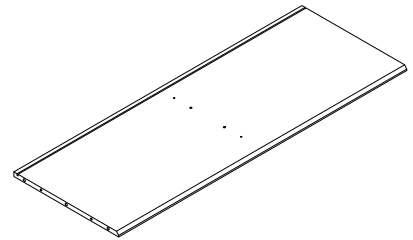
④

Qty: 1



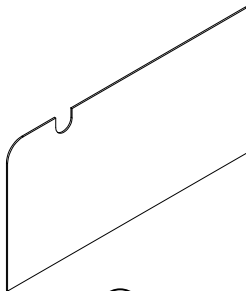
⑤

Qty: 4



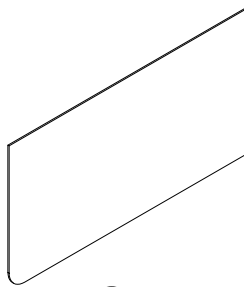
⑥

Qty: 1



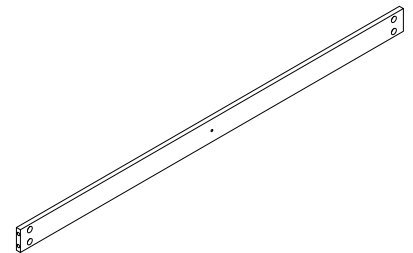
⑦

Qty: 2



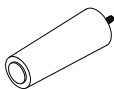
⑧

Qty: 2



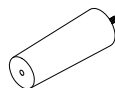
⑨

Qty: 2



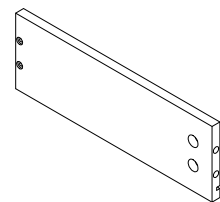
⑩

Qty: 4



⑪

Qty: 1



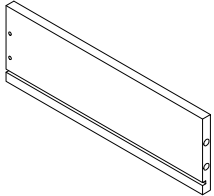
⑫

Qty: 6

---

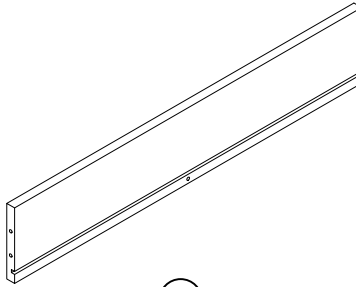
# Board Identification

Not actual size



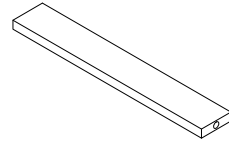
⑬

Qty: 6



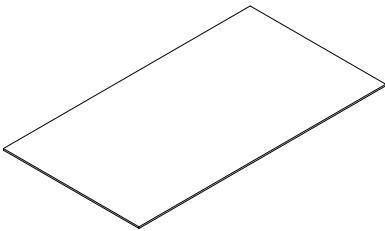
⑭

Qty: 6



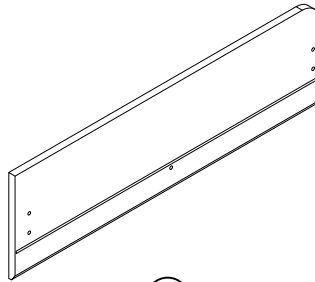
⑮

Qty: 6



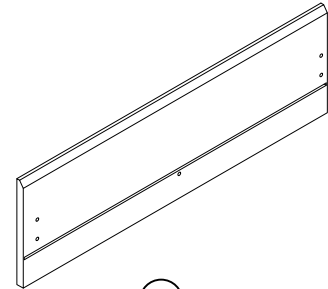
⑯

Qty: 6



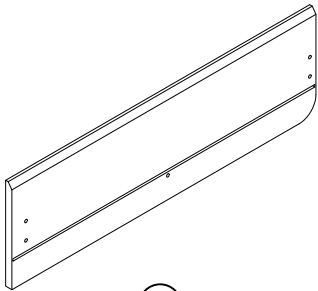
⑰

Qty: 1



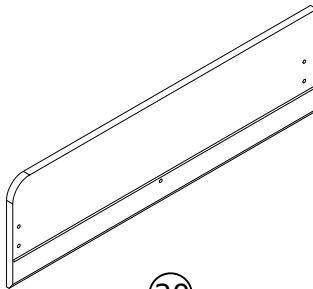
⑱

Qty: 1



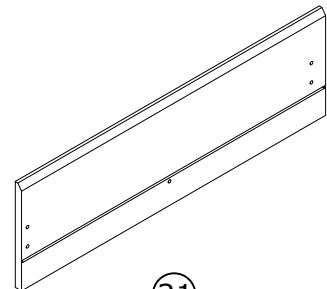
⑲

Qty: 1



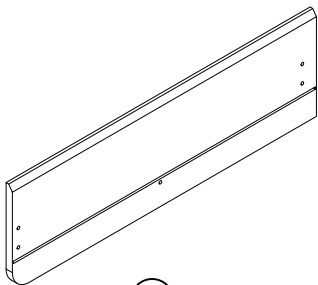
⑳

Qty: 1



㉑

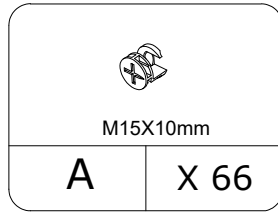
Qty: 1



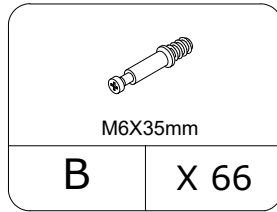
㉒

Qty: 1

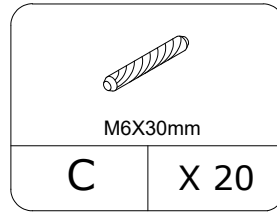
# Part List



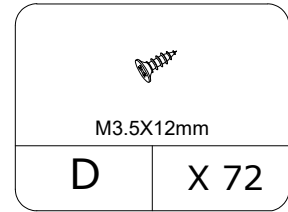
CAM LOCK  
spare:2



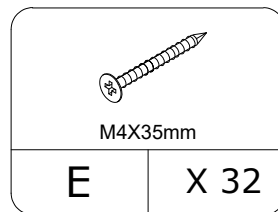
CAM BOLT  
spare:2



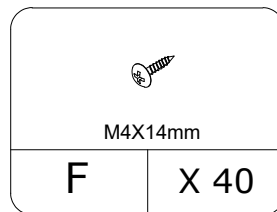
WOOD DOWEL  
spare:2



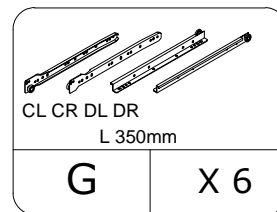
CONFIRMAT SCREWS  
spare:2



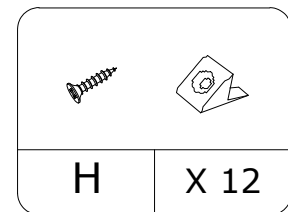
CONFIRMAT SCREWS  
spare:2



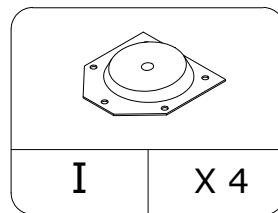
CONFIRMAT SCREWS  
spare:2



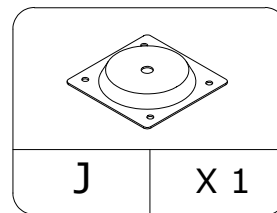
DRAWER RAILS



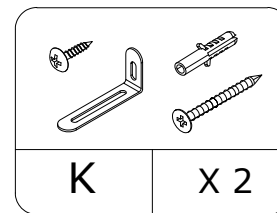
BACK PANEL BUCKLE  
spare:2



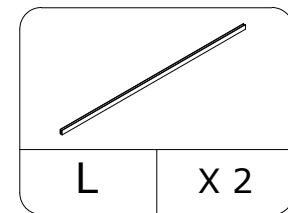
IRON SHEETS



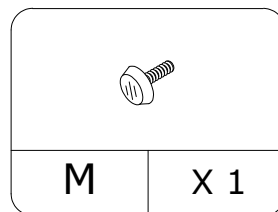
IRON SHEETS



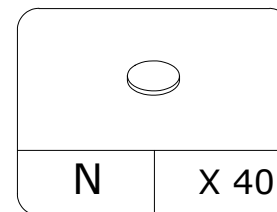
ANTI-DUMPING



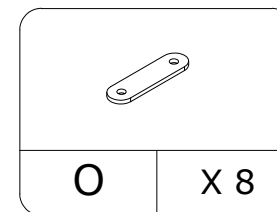
H-STRIP



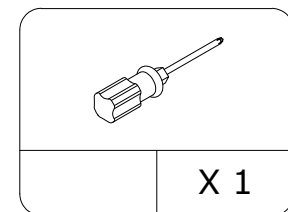
ADJUSTING NUT



PERFECT STICKER  
spare:2



METAL PLATE



HEX KEY

---

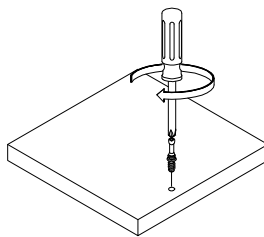
# Part List

---

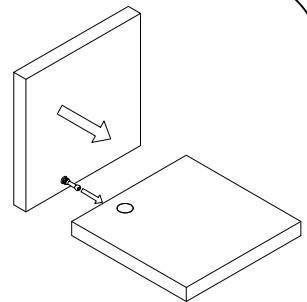
## Cam Lock Fastening System

Insert the cam bolt into the hole first, then insert the cam lock and lock it.

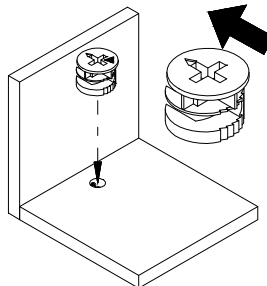
**1**



**2**

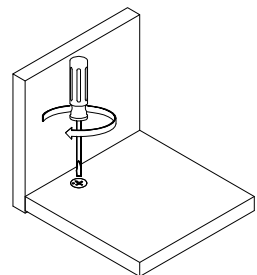


**3**



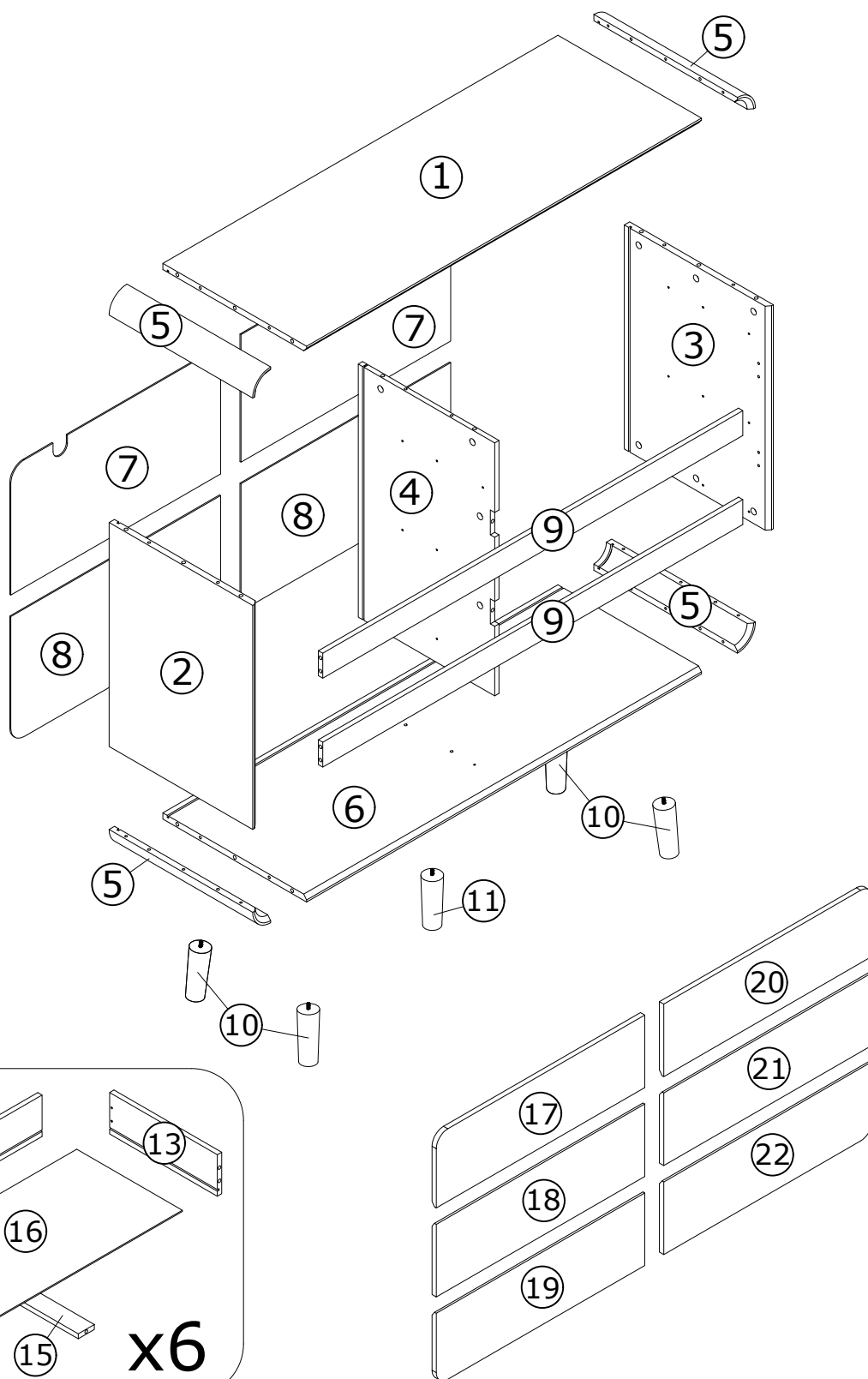
The opening must point toward the edge of the board

**4**

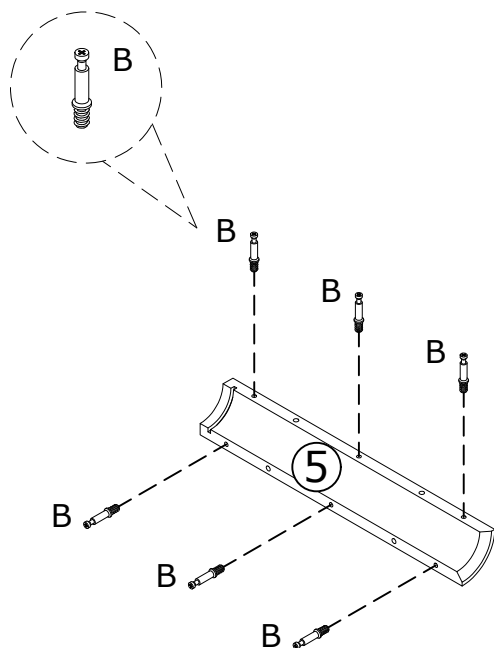
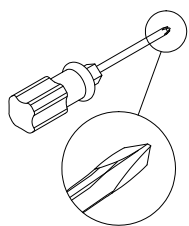



# Board Identification

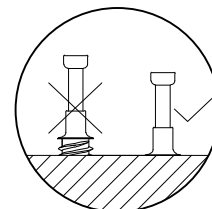
Not actual size



# STEP1

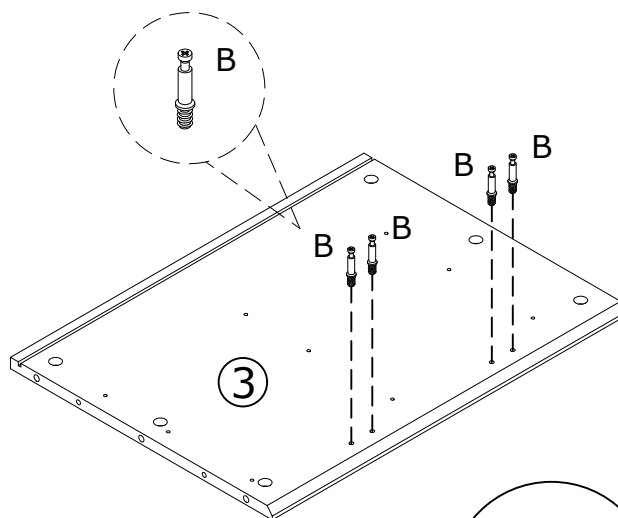
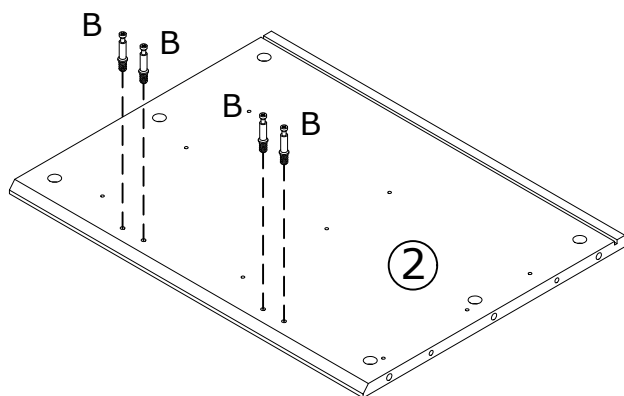
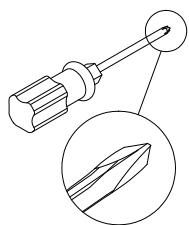



	
M6X35mm	
B	X 24

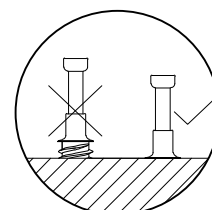


# x4

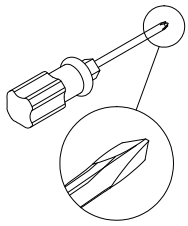
# STEP2





	
M6X35mm	
B	X 8

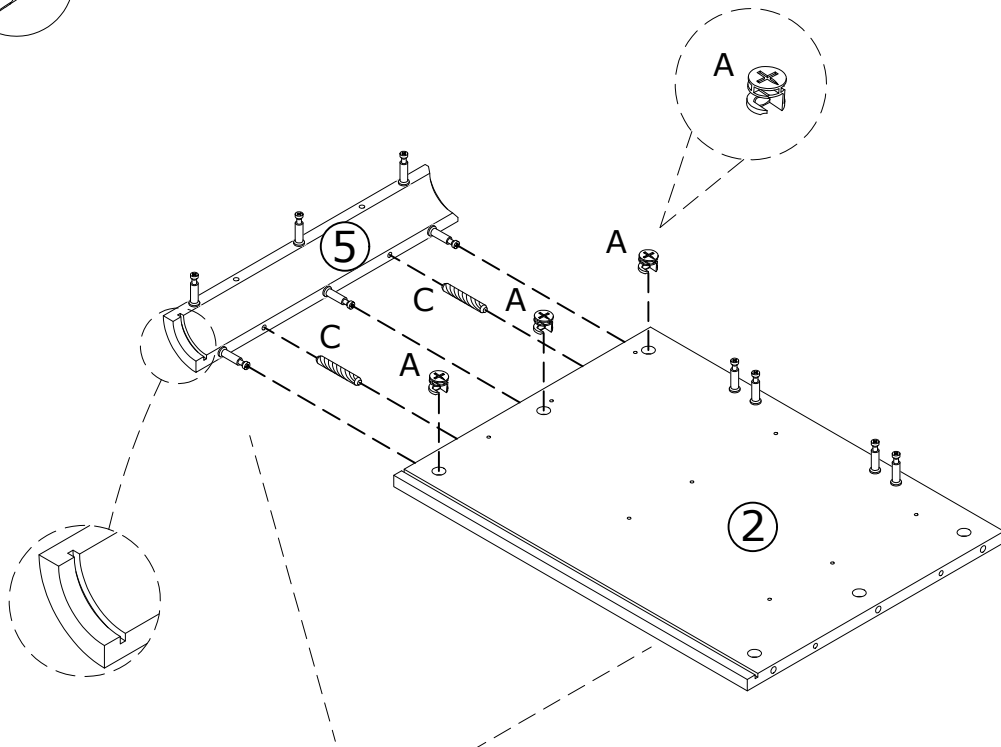


# STEP 3

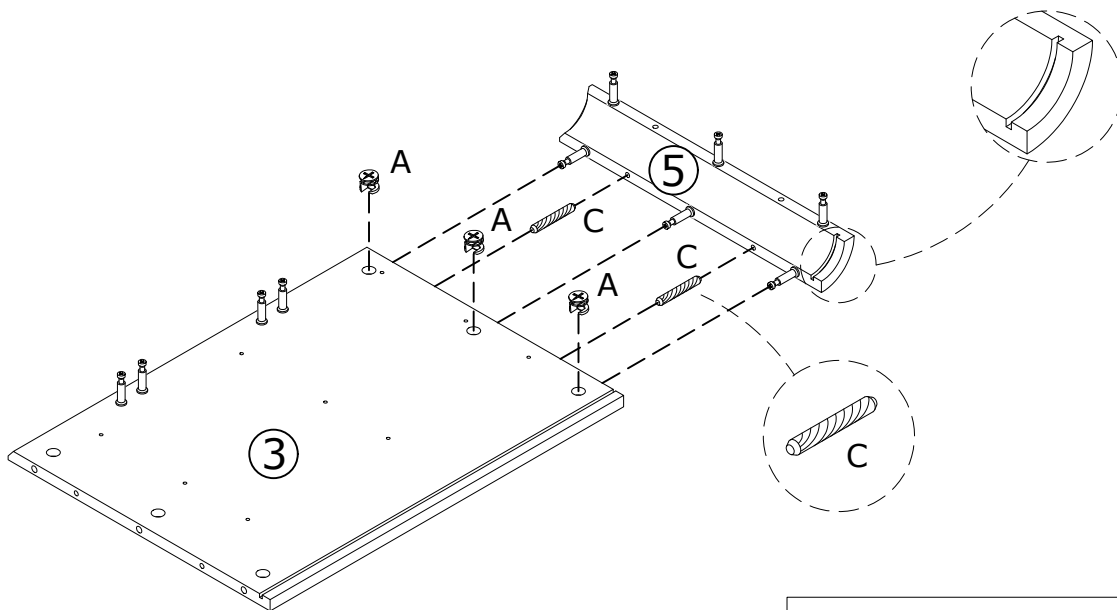


	
M15X10mm	
A	X 6

	
M6X30mm	
C	X 4




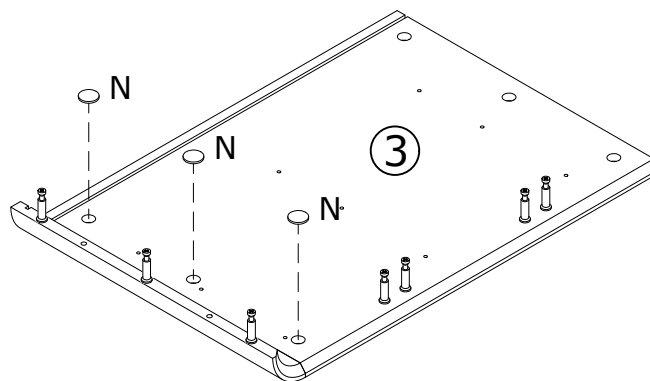
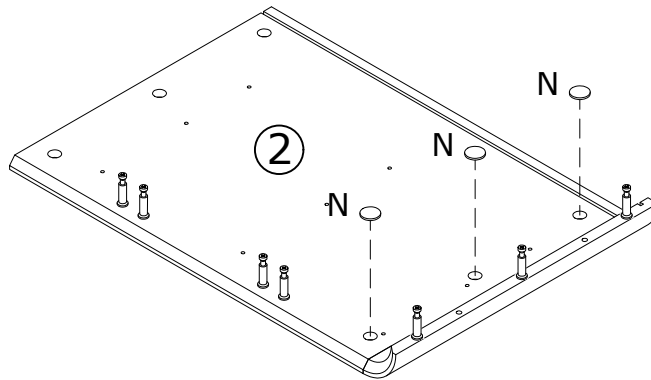
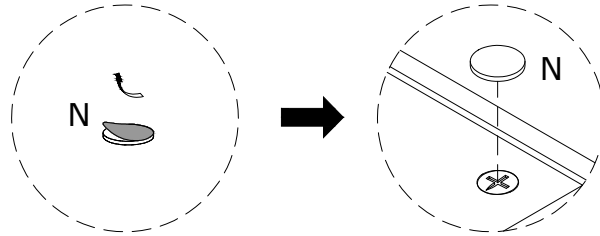
Ensure uniform groove direction during installation.



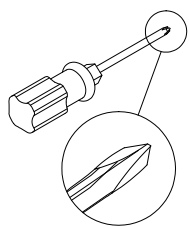
Insert the cam bolt into the hole first, then insert the cam lock and lock it.


# STEP4


	
N	X 6

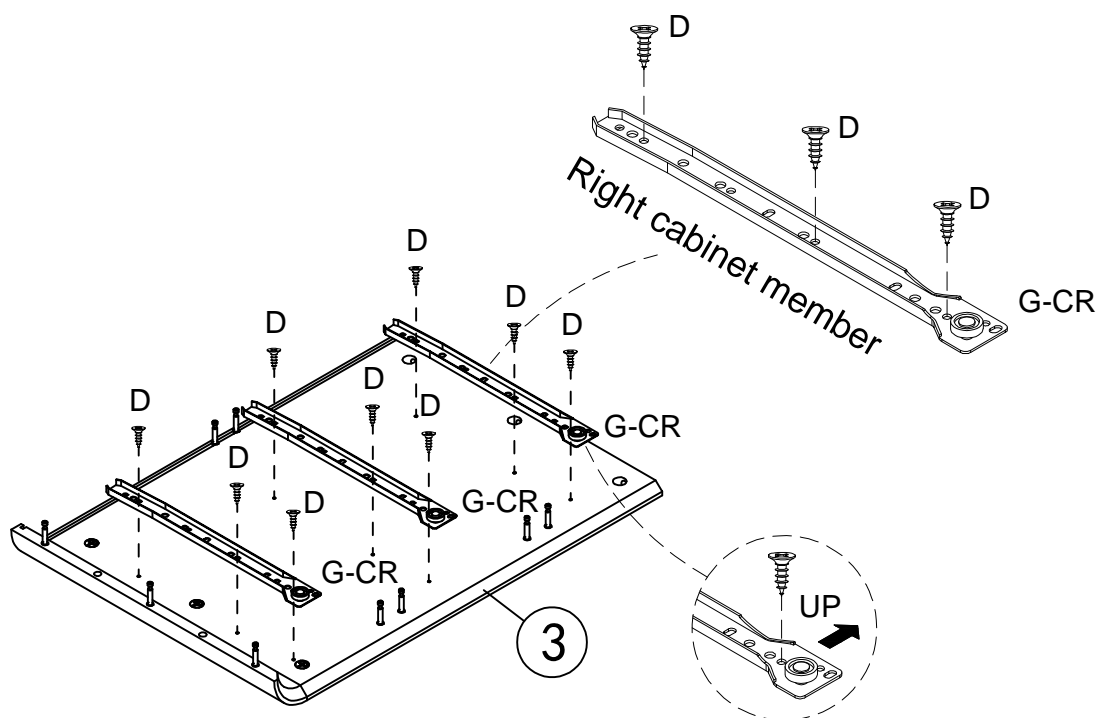
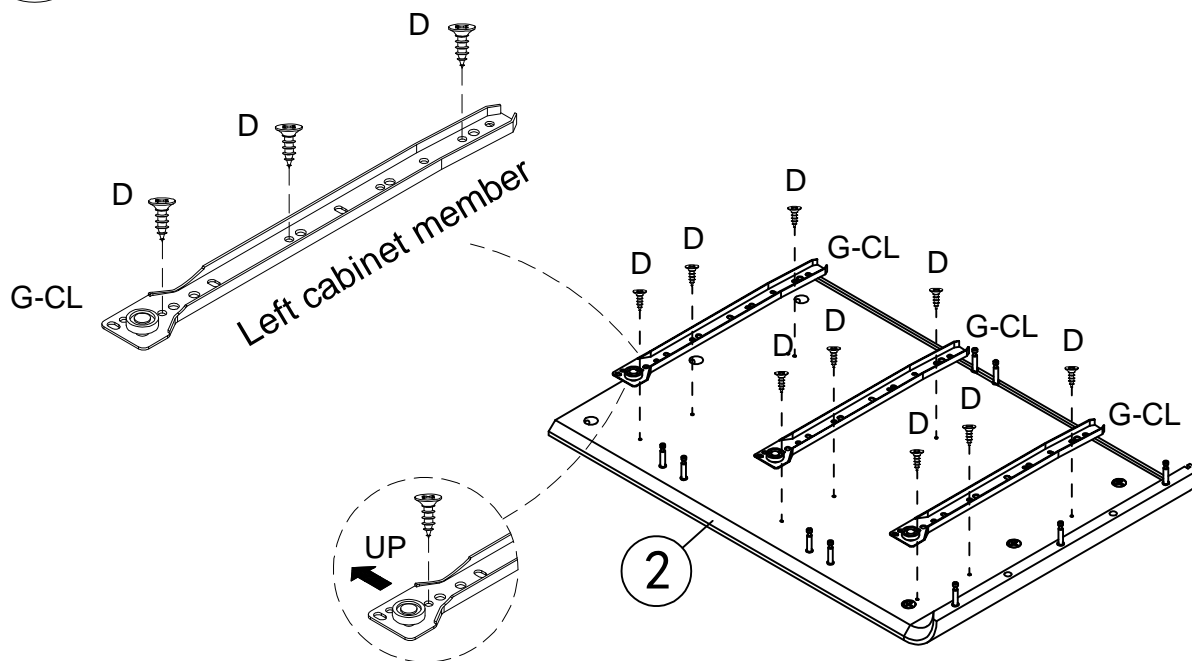


# STEP5

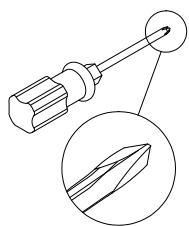



	
M3.5X12mm	
D	X 18


	
L 350mm	
G	X 3

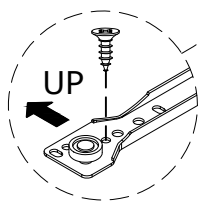
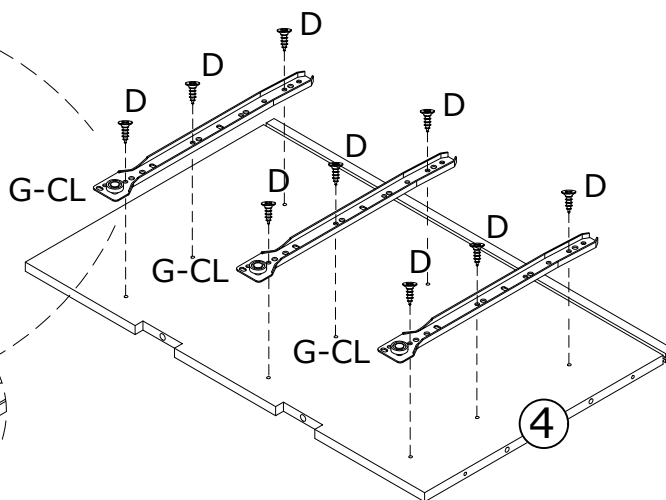
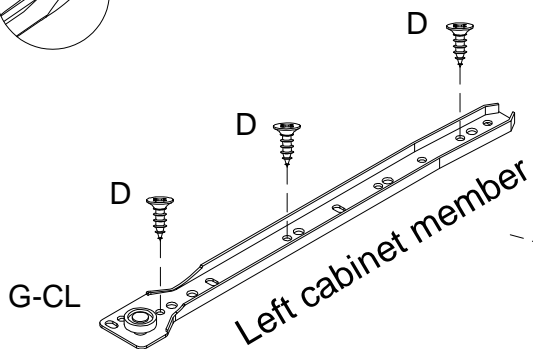


# STEP 6

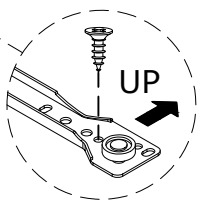
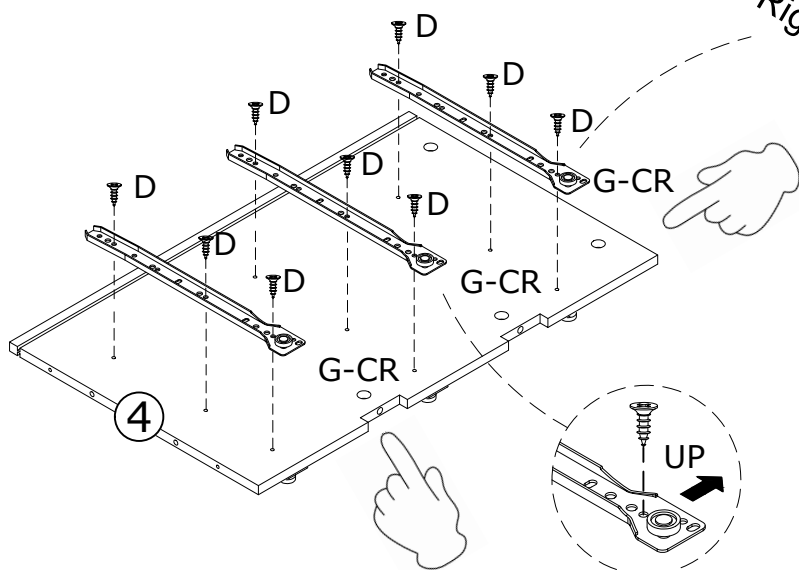
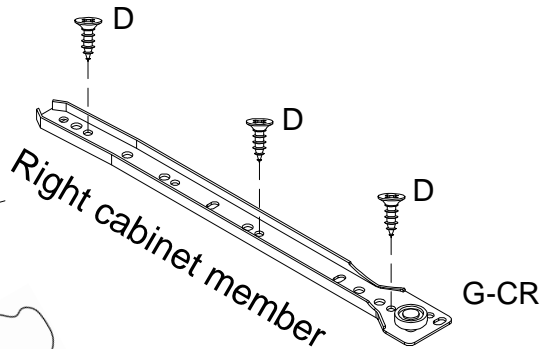


 M3.5X12mm	
D	X 18

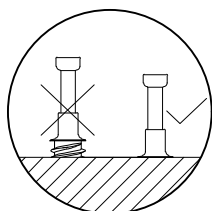
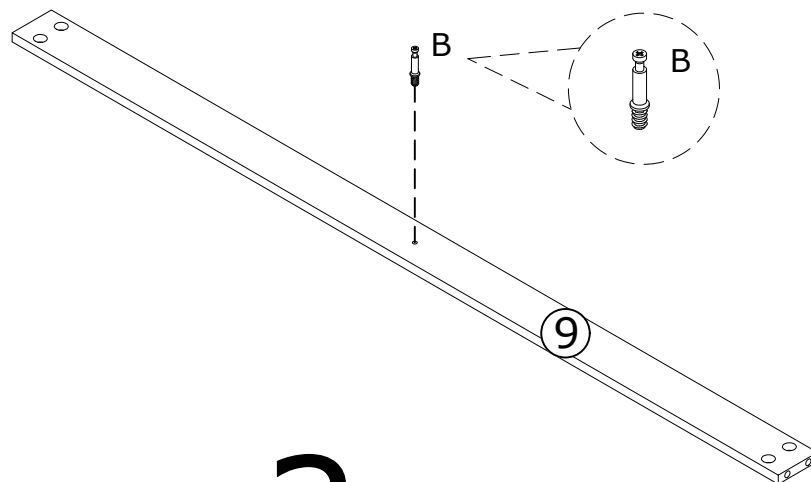
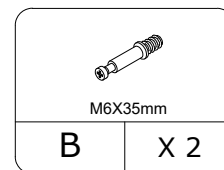
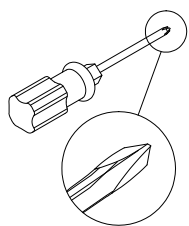
 L 350mm	
G	X 3



Flip

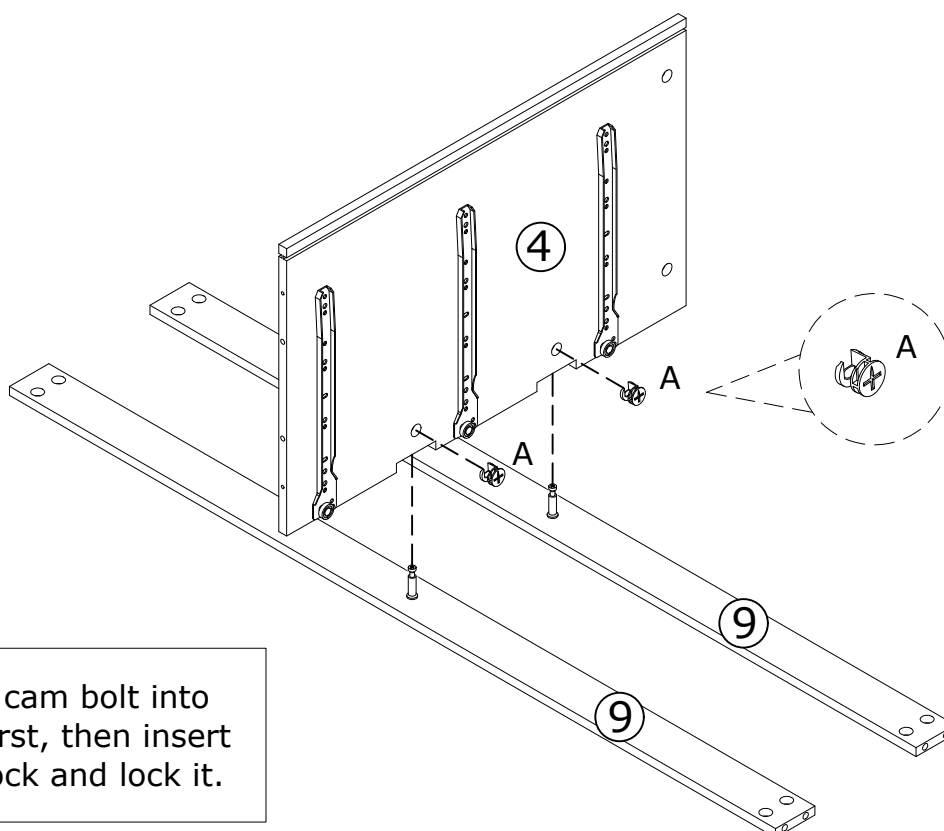
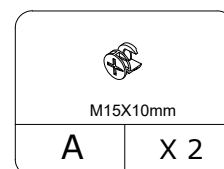
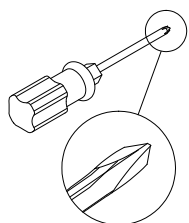


## STEP 7



x2

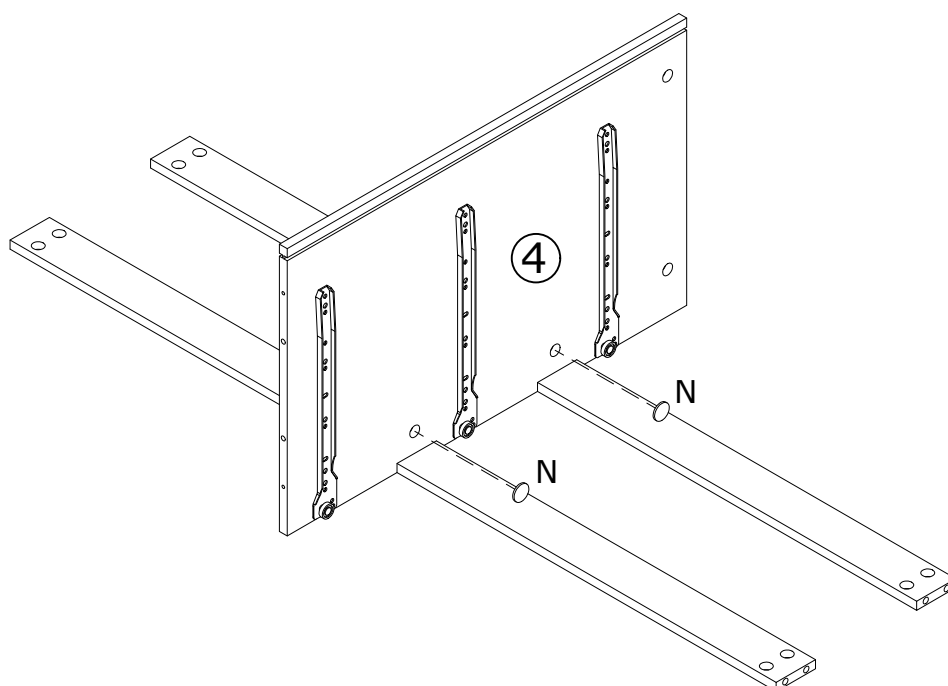
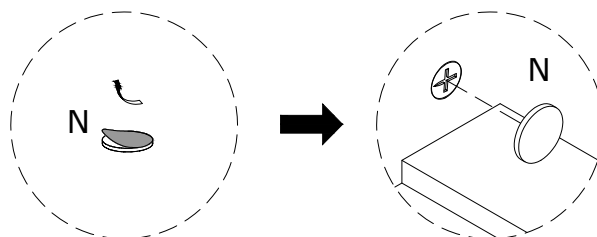
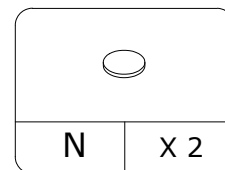
## STEP 8



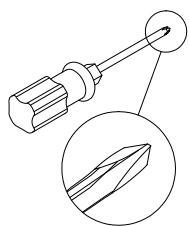
Insert the cam bolt into the hole first, then insert the cam lock and lock it.


# STEP9

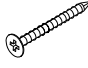
---



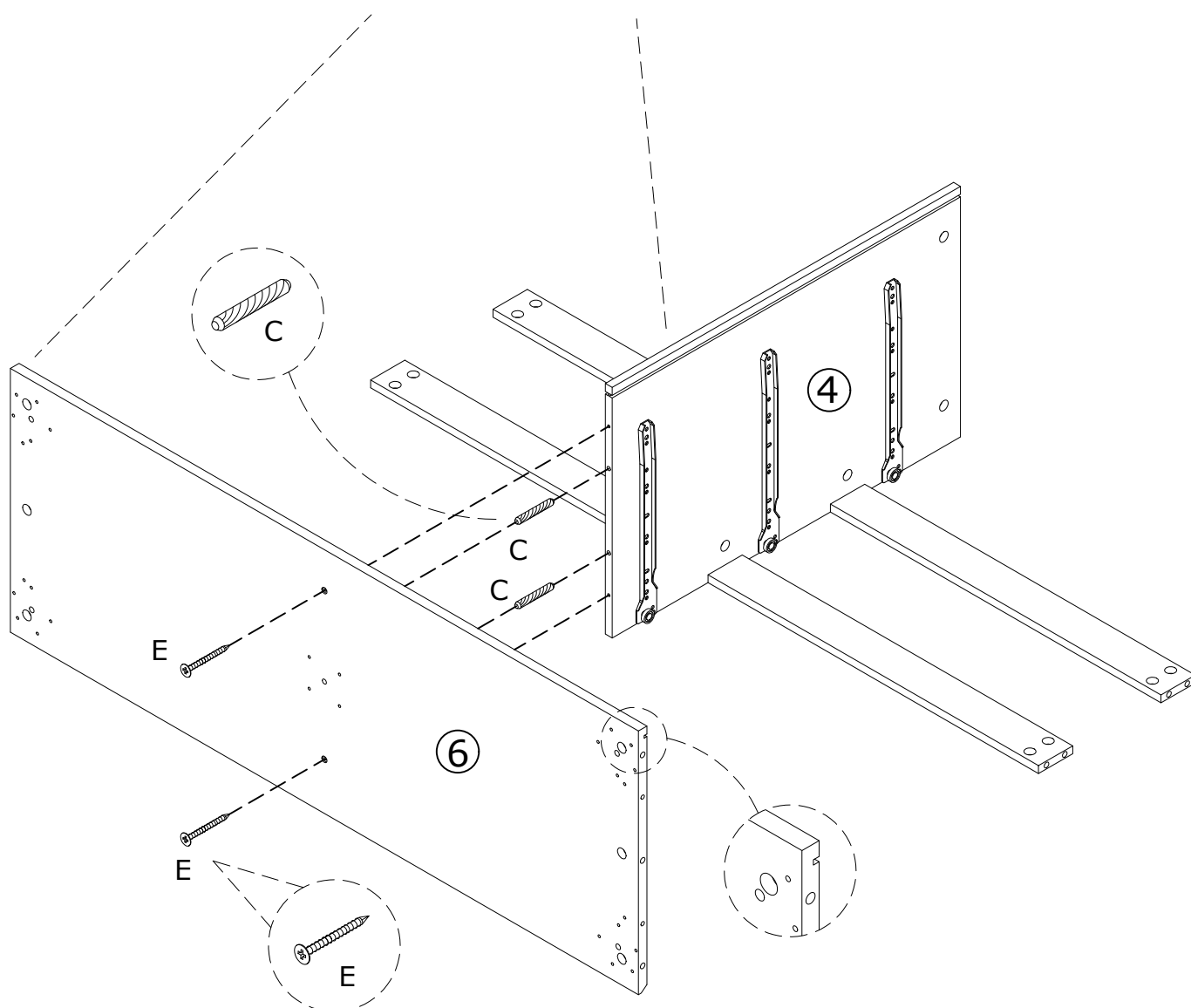
# STEP 10



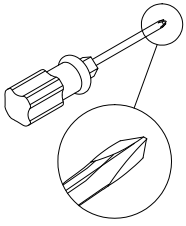
	
M6X30mm	
C	X 2


	
M4X35mm	
E	X 2


Ensure uniform groove direction during installation.



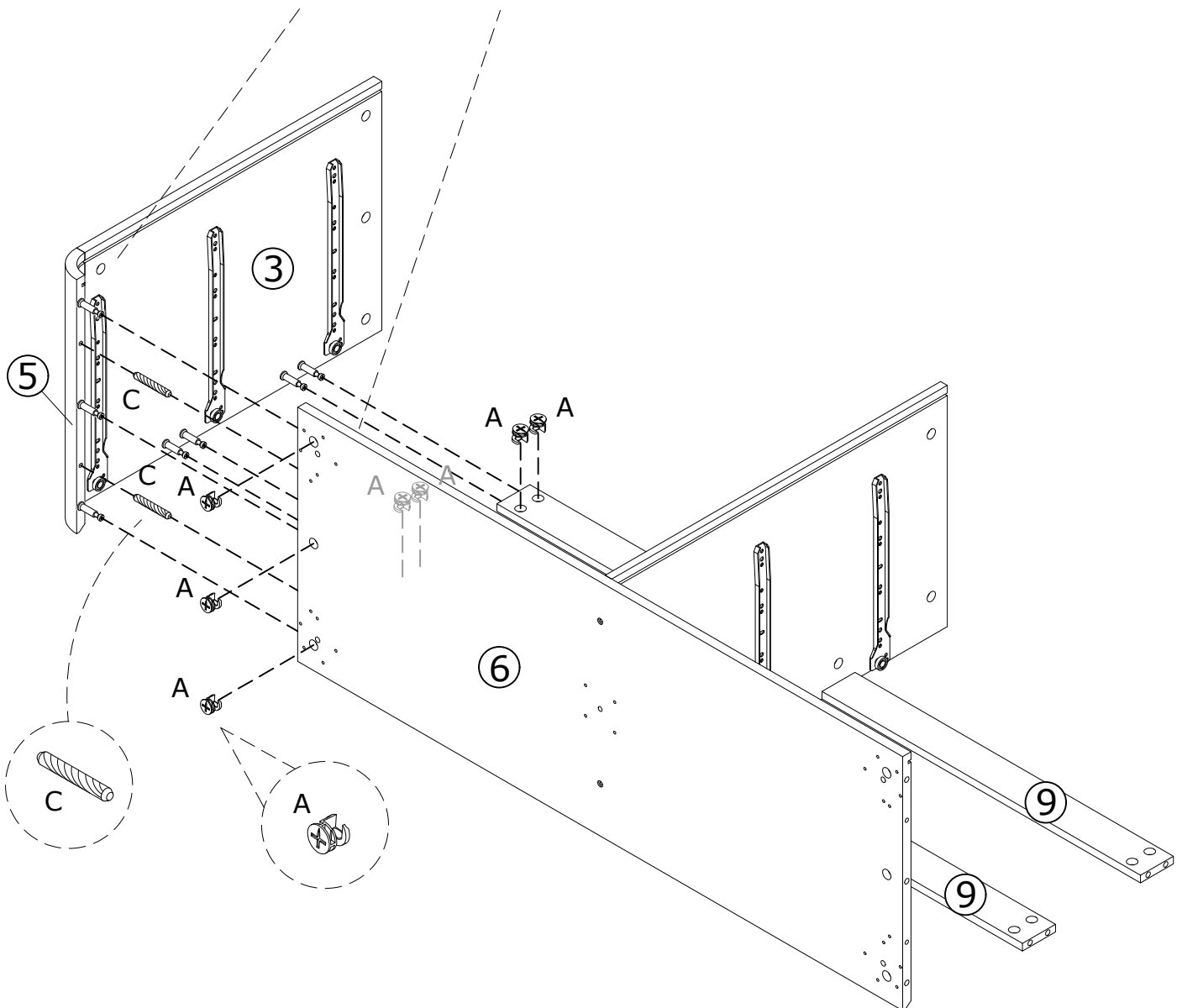
# STEP 11



	
M15X10mm	
A	X 7

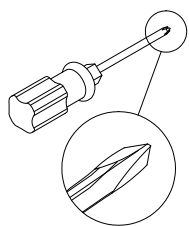
	
M6X30mm	
C	X 2


Ensure uniform groove direction during installation.




Insert the cam bolt into the hole first, then insert the cam lock and lock it.

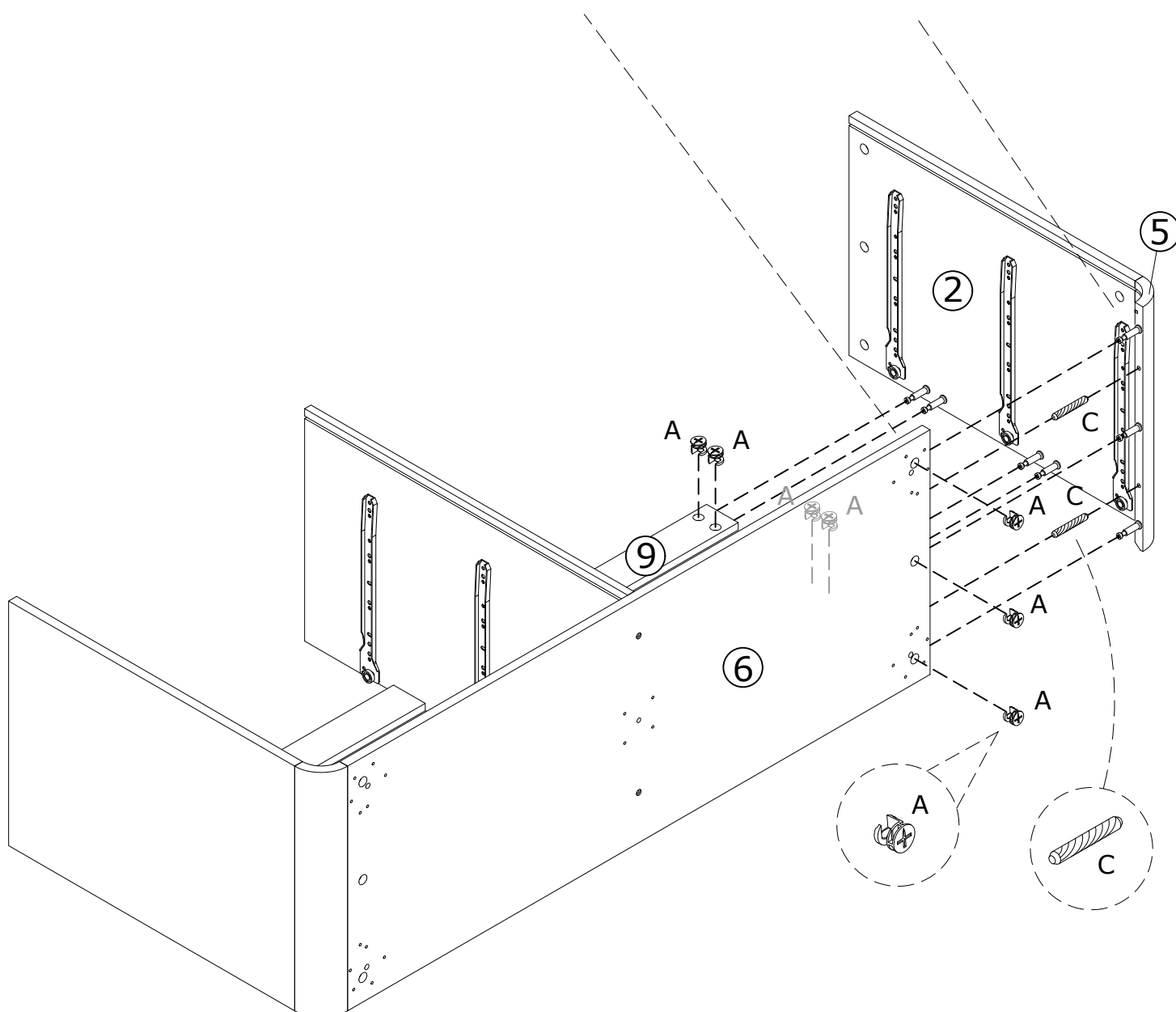
# STEP 12



	
M15X10mm	
A	X 7

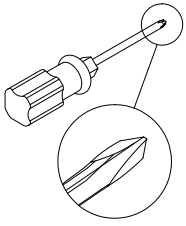
	
M6X30mm	
C	X 2


Ensure uniform groove direction during installation.

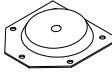


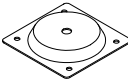
Insert the cam bolt into the hole first, then insert the cam lock and lock it.

# STEP 13



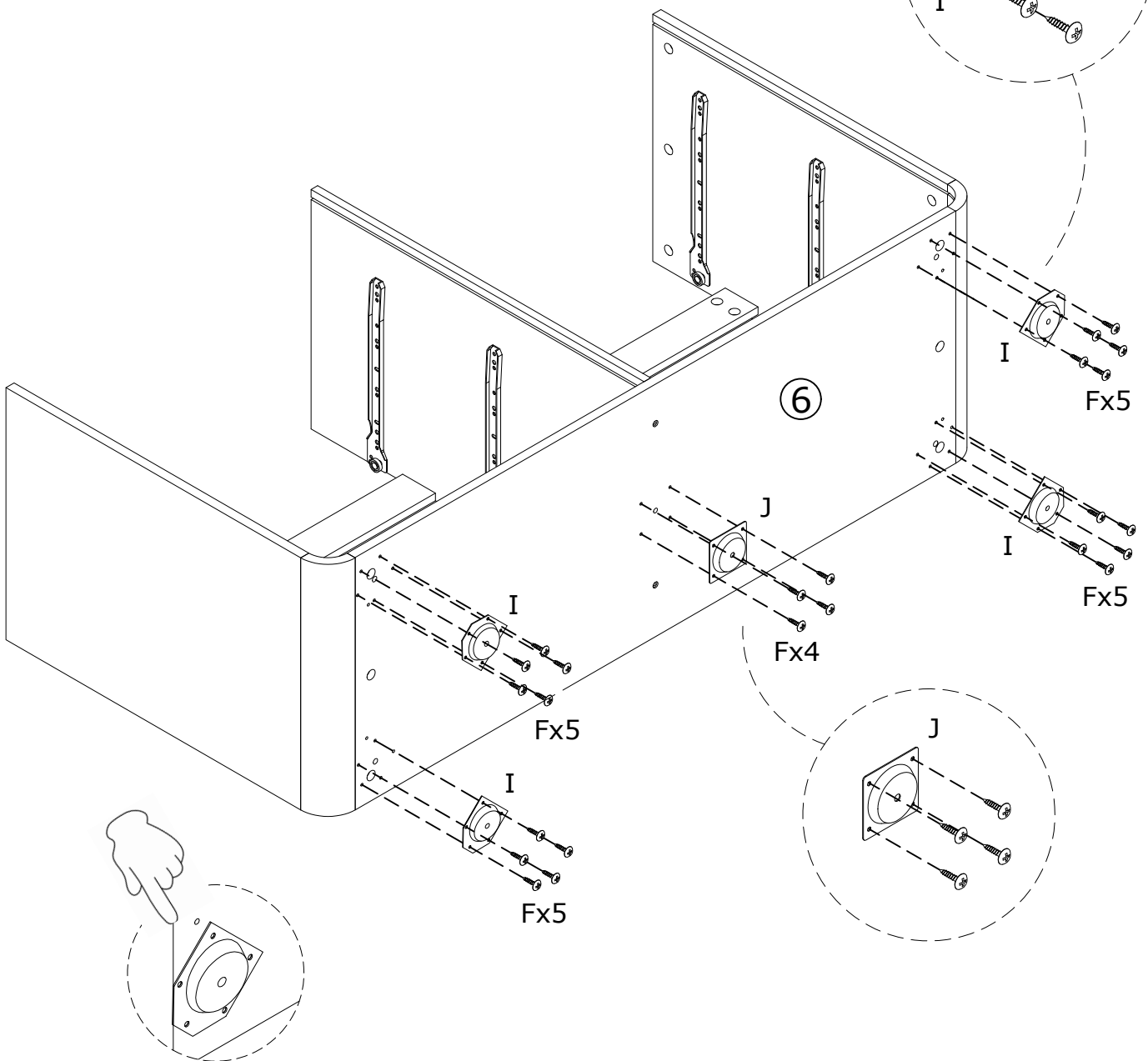
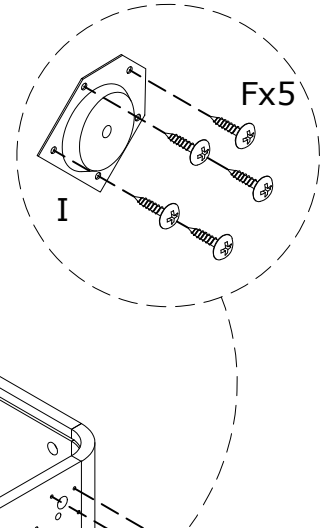
 M4X14mm	
F	X 24

	
I	X 4

	
J	X 1

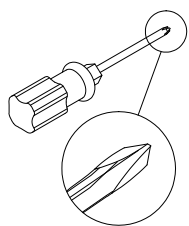



Higher edge facing inward.




This hole will be used in STEP 14.

# STEP14

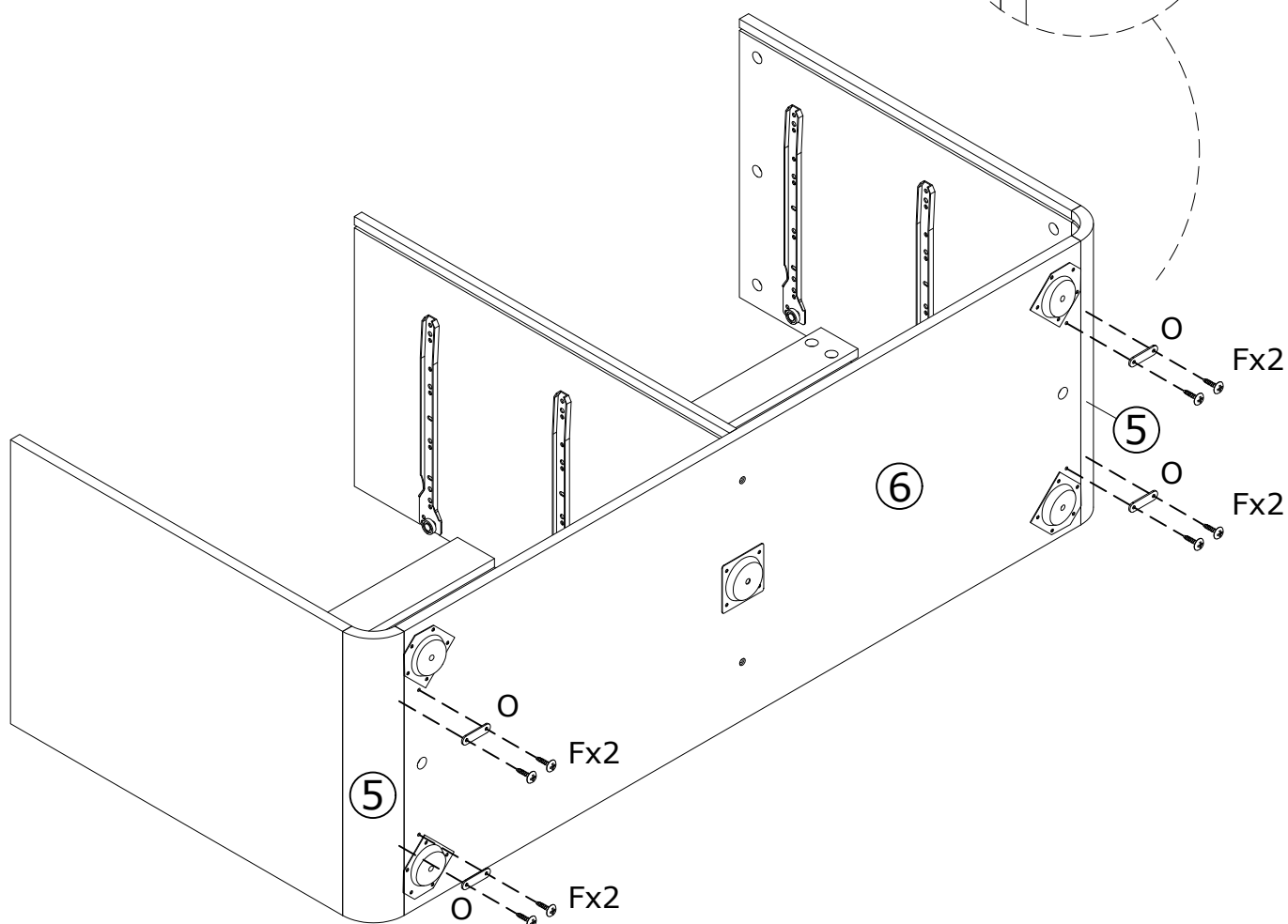
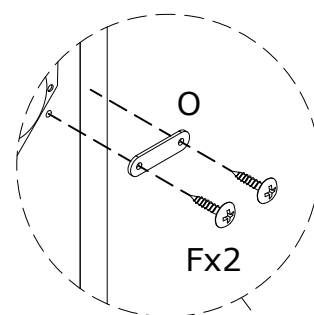


 M4X14mm	
F	X 8


	
O	X 4

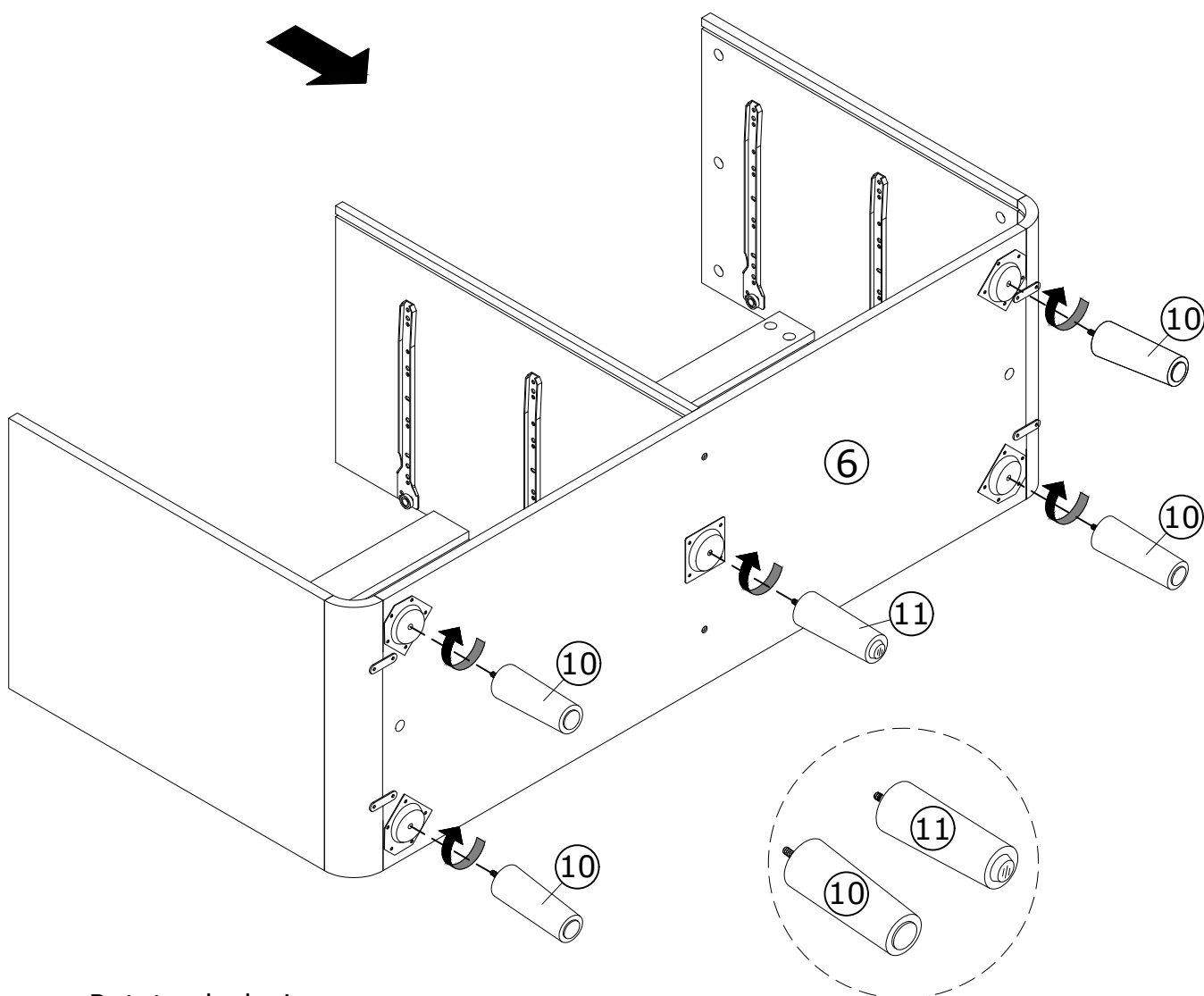
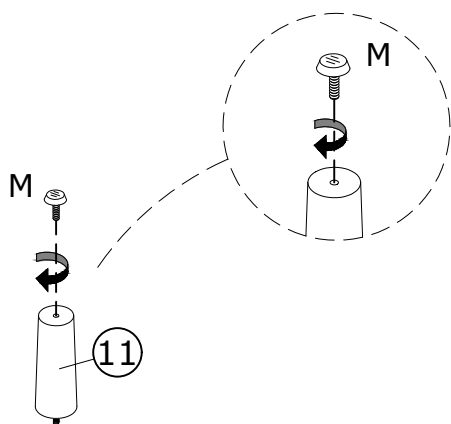


Drive self-tapping screws F using power tools to plate ⑤ and ⑥ .



# STEP 15

	
M	X 1



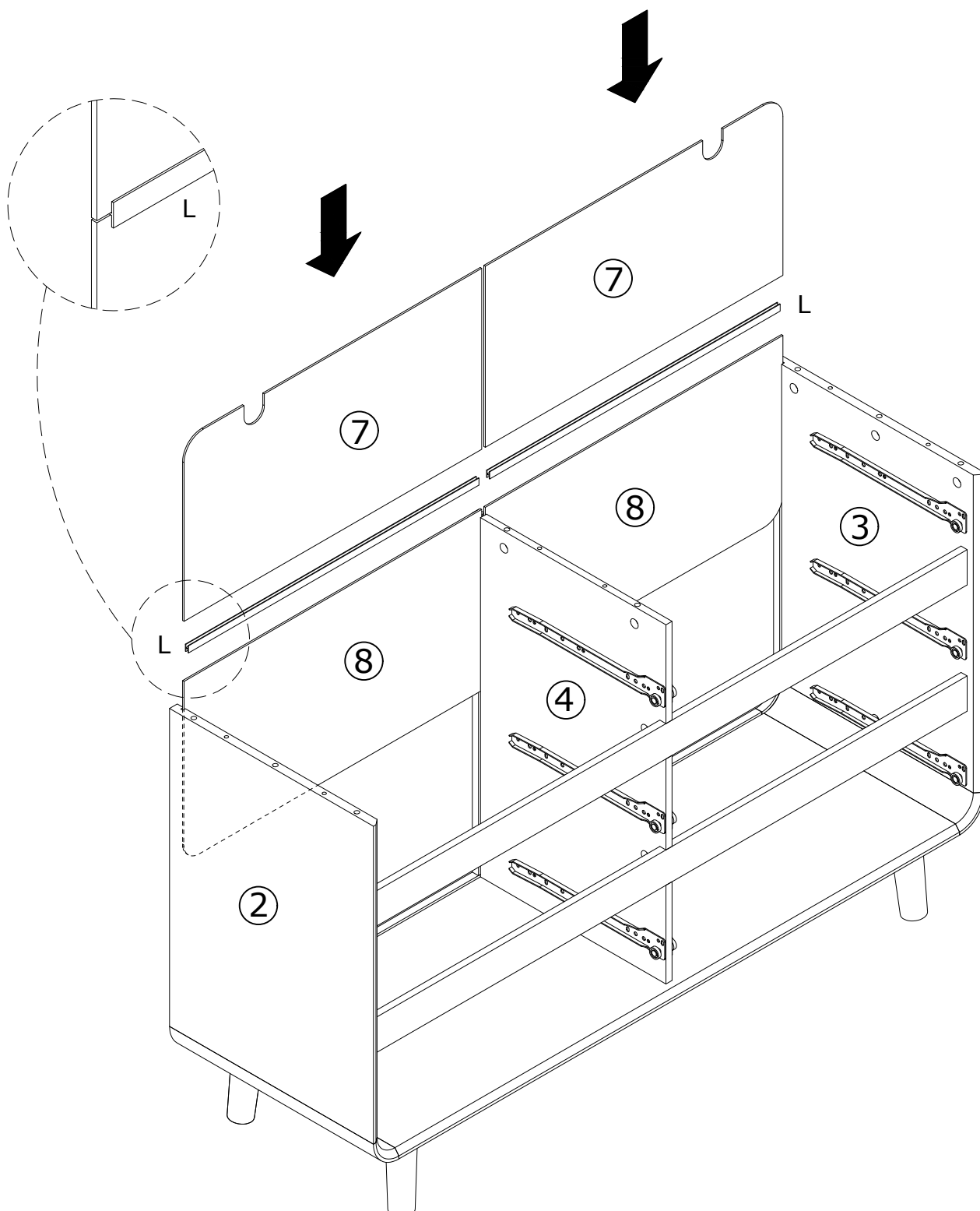
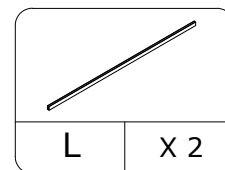
Rotate clockwise

Align the screws on the ⑩⑪ foot with the holes on the ⑥ plate, and rotate to install.

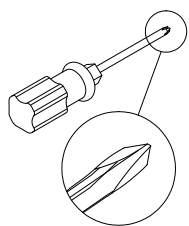
# STEP 16



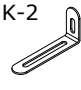


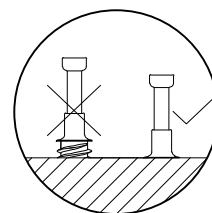
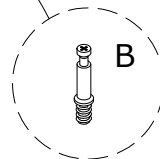
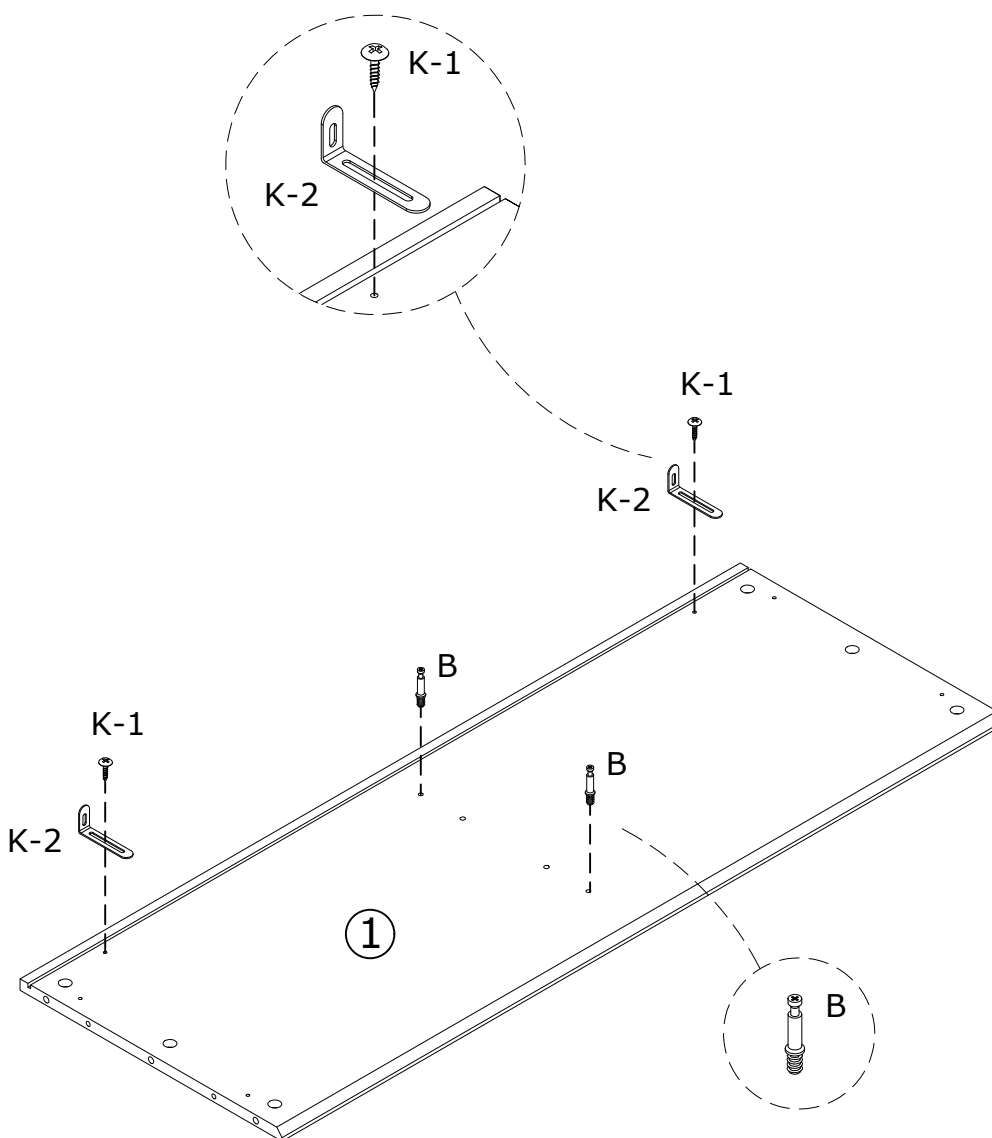
The upper and lower back plates are connected with H-shaped clamping strips.



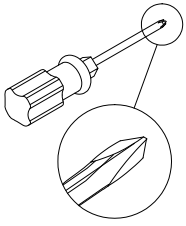
# STEP 17





 M6X35mm			
<b>B</b>	<b>X 2</b>	<b>K</b>	<b>X 2</b>



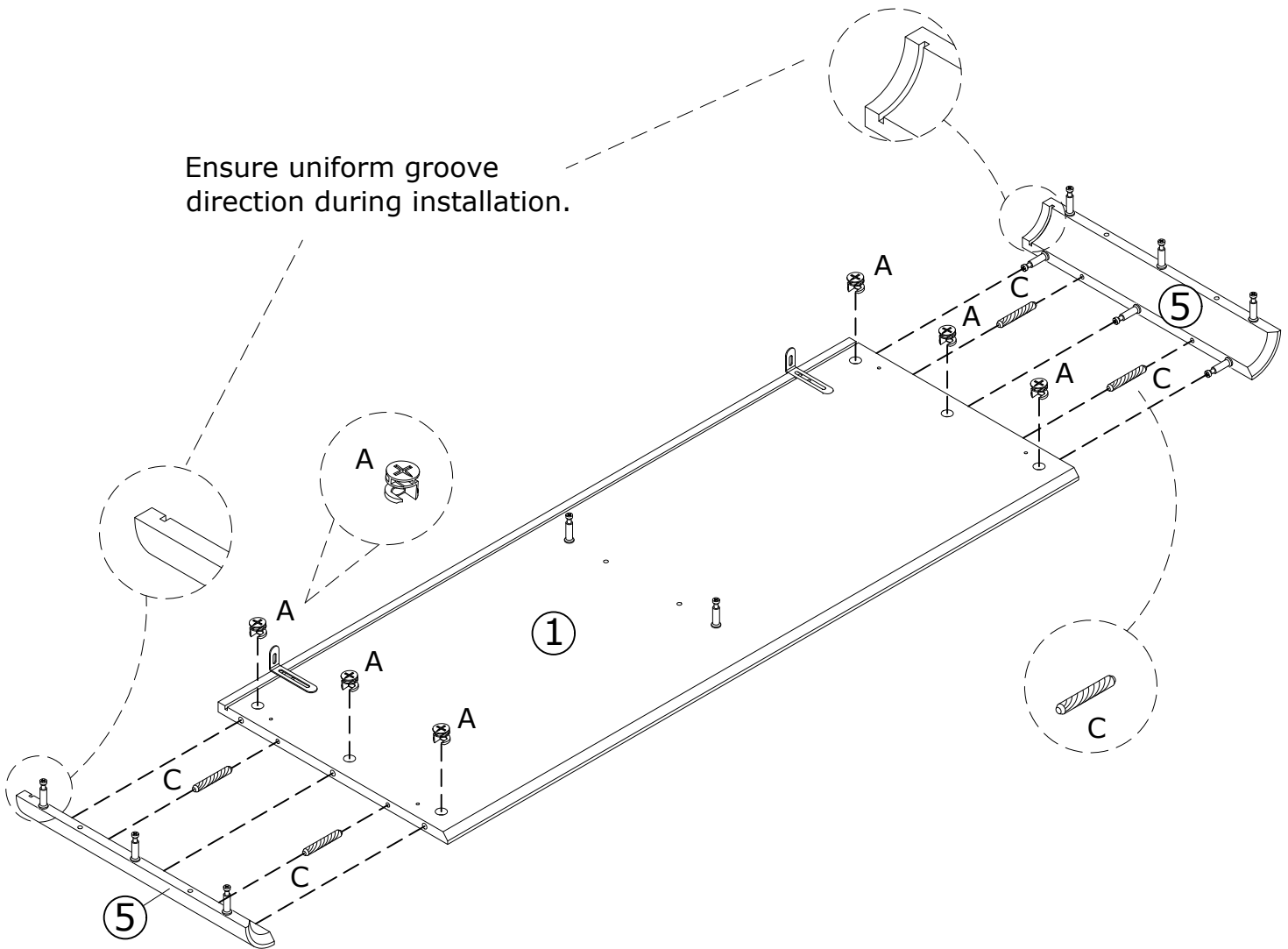
# STEP 18



	
M15X10mm	
A	X 6

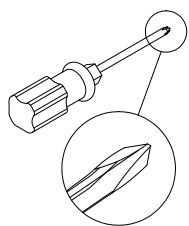
	
M6X30mm	
C	X 4


Ensure uniform groove direction during installation.




Insert the cam bolt into the hole first, then insert the cam lock and lock it.

# STEP 19

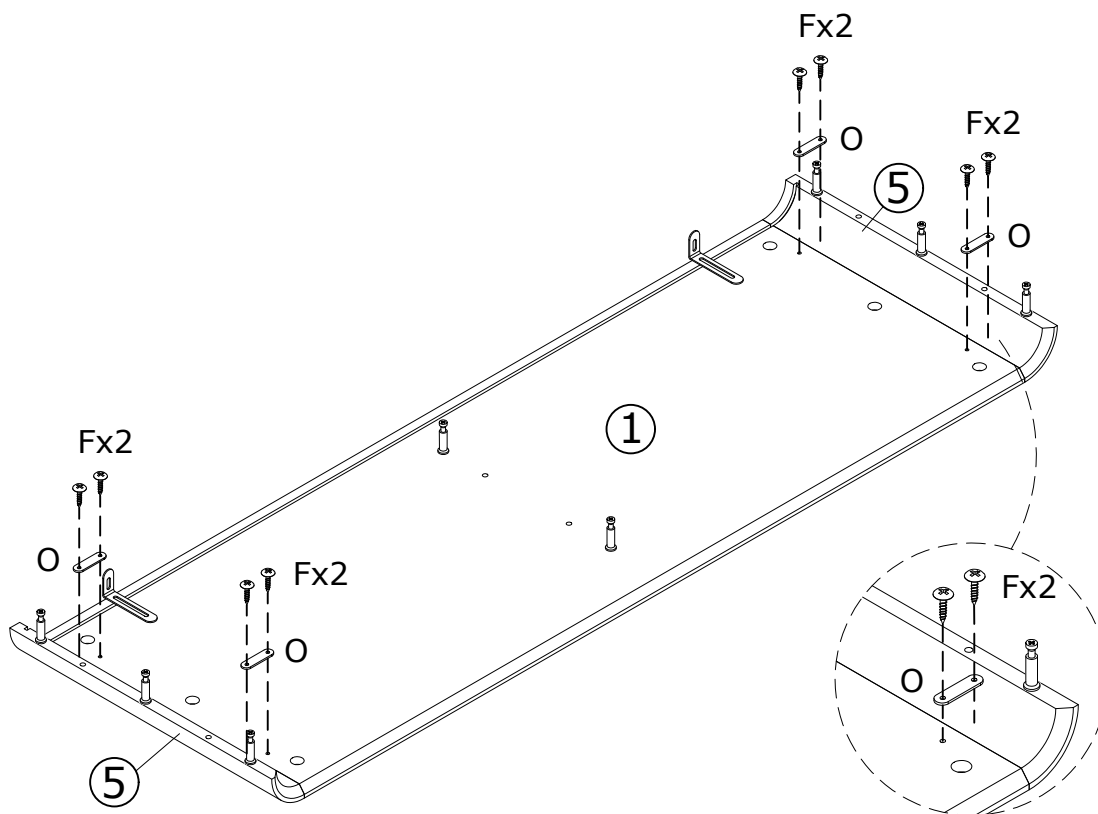


 M4X14mm	
F	X 8

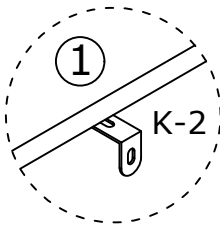
	
O	X 4



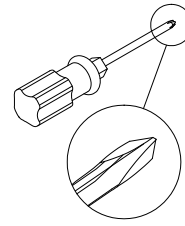
Drive self-tapping screws F using power tools to plate ① and ⑤ .





# STEP20

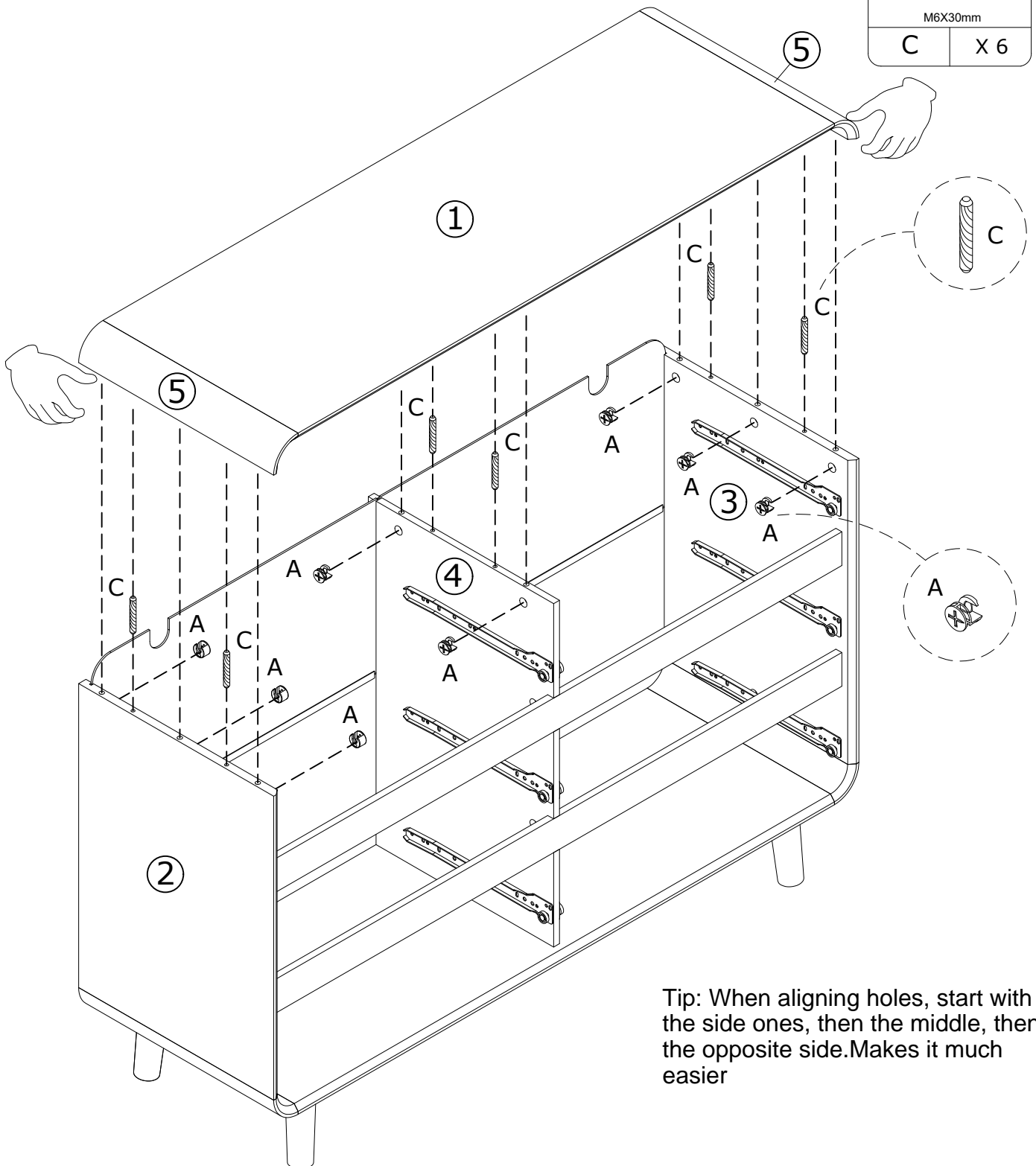


Before installing the ① board, ensure that the relative position of the K-2 accessory and the ① board is as shown in the figure.



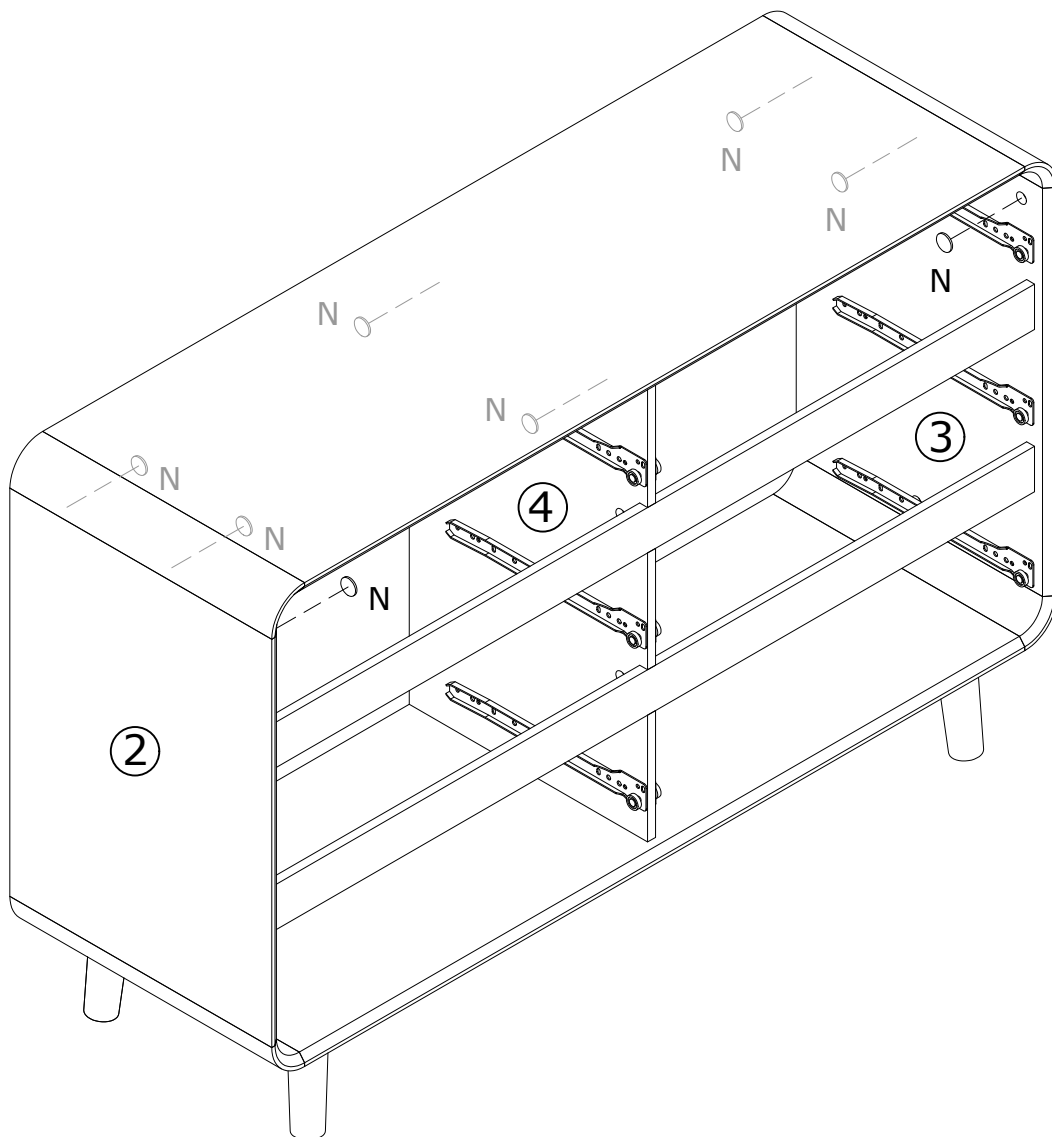
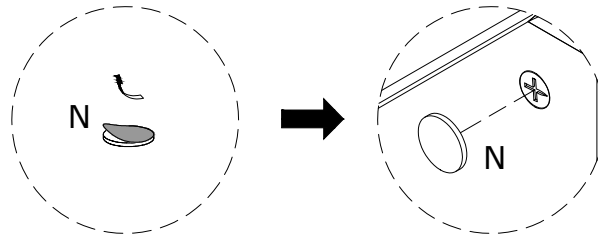
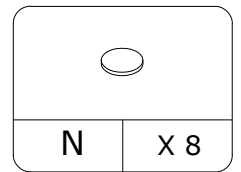
	
M15X10mm	
A	X 8

	
M6X30mm	
C	X 6

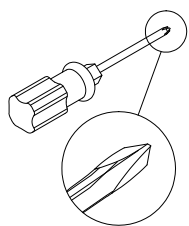


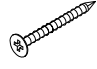
Tip: When aligning holes, start with the side ones, then the middle, then the opposite side. Makes it much easier

# STEP21

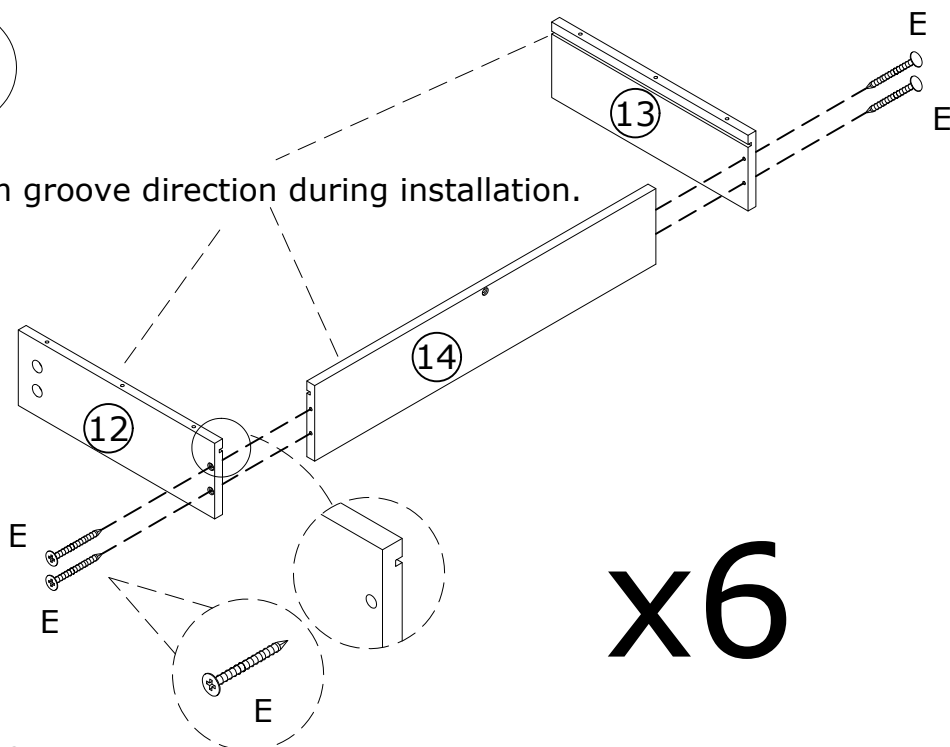


## STEP22

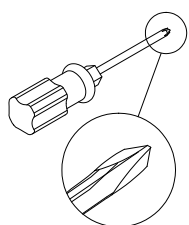


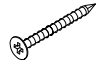
	
M4X35mm	
E	X 24

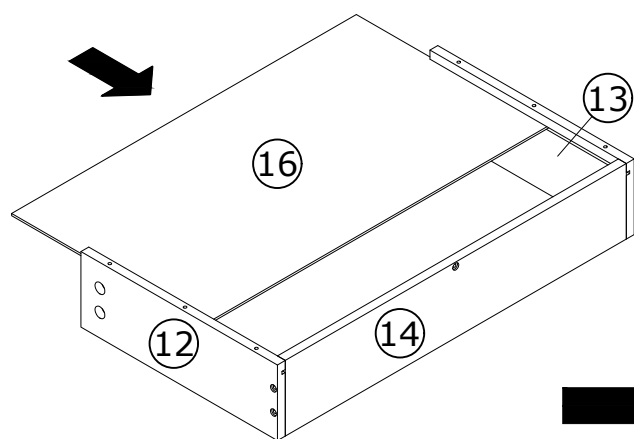
Ensure uniform groove direction during installation.



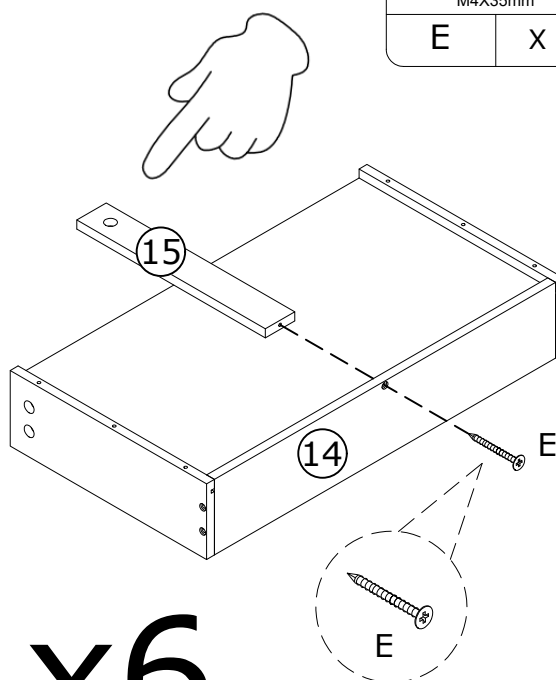
## STEP23



	
M4X35mm	
E	X 6

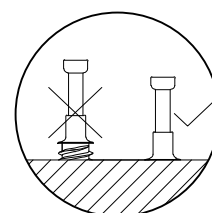
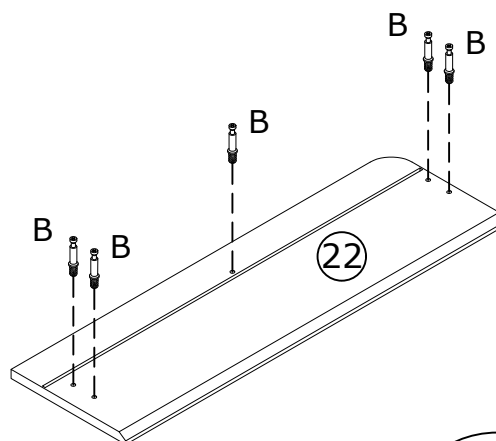
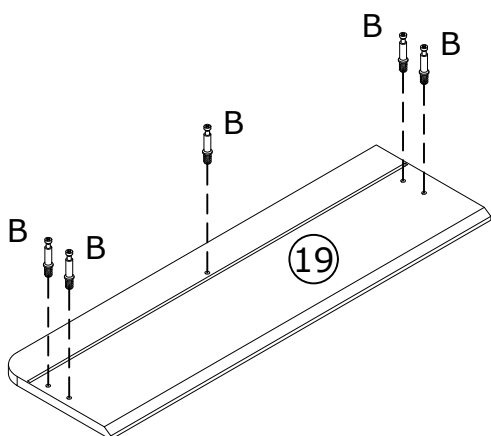
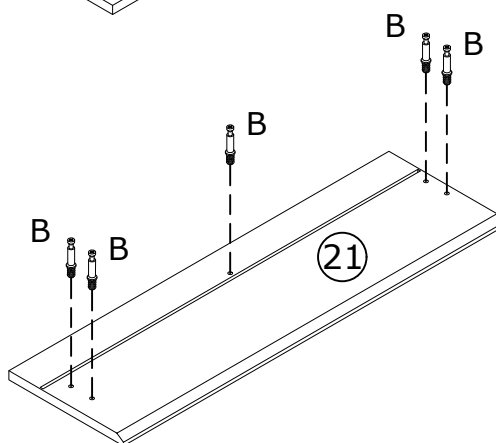
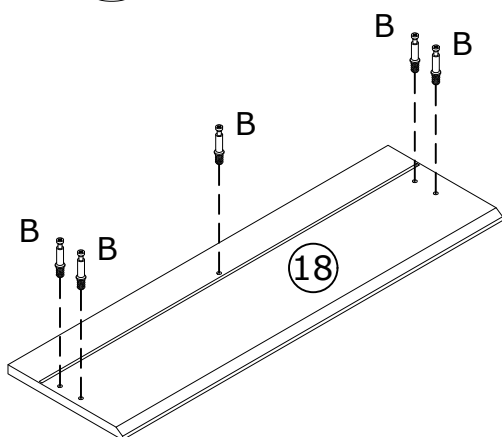
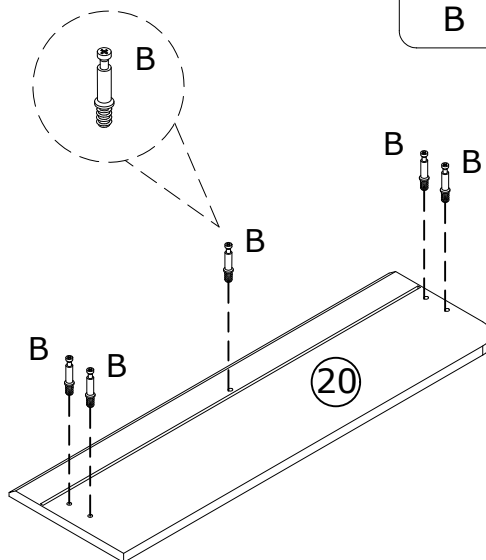
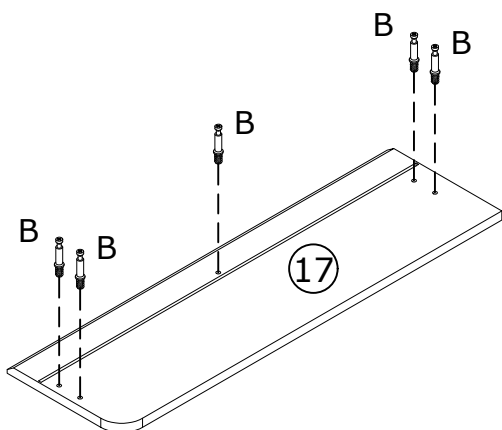
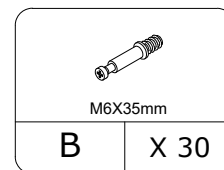
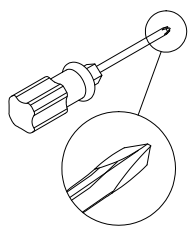


x6

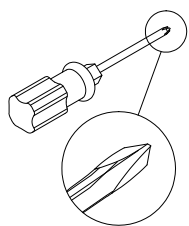



x6

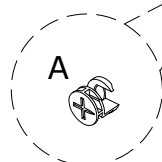
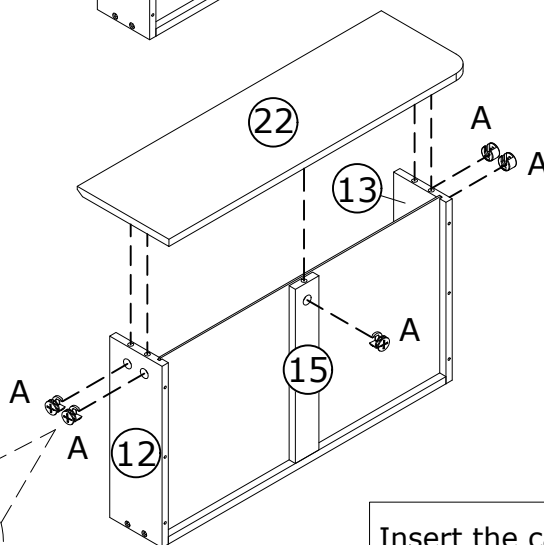
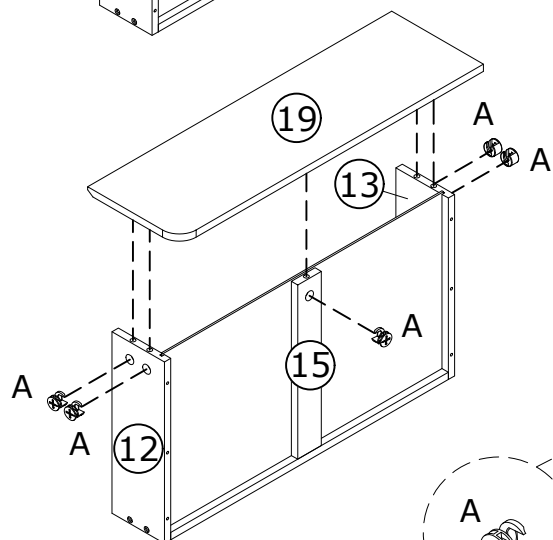
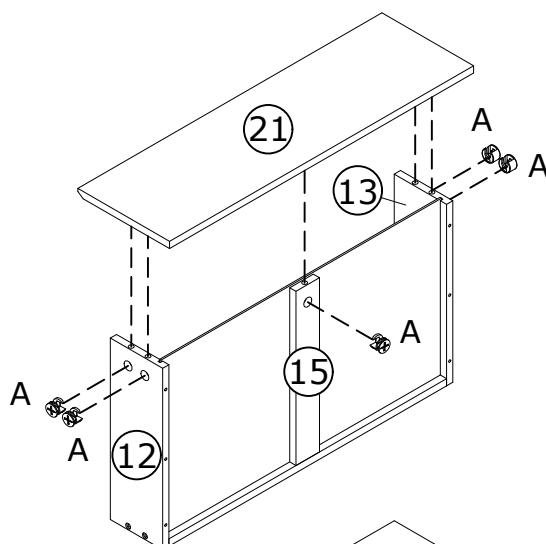
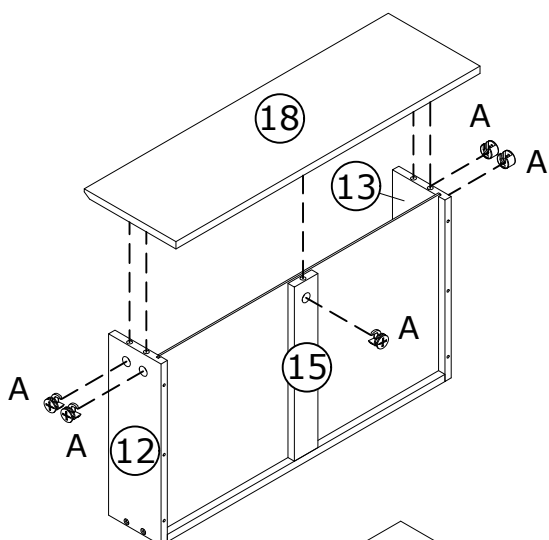
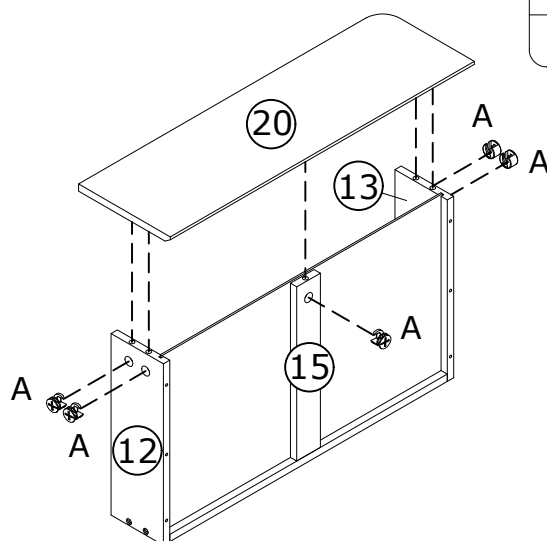
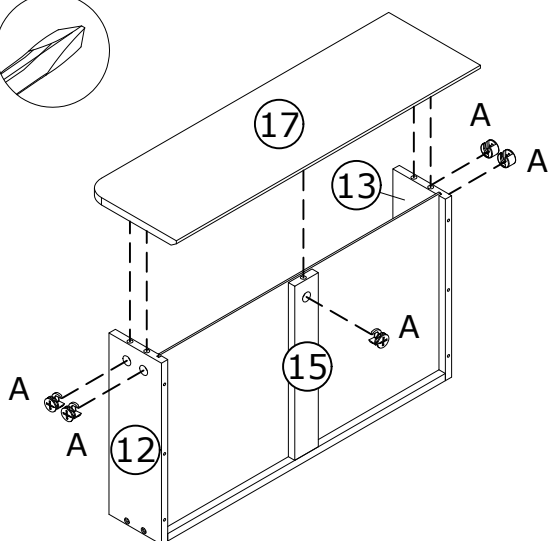
# STEP24



# STEP 25

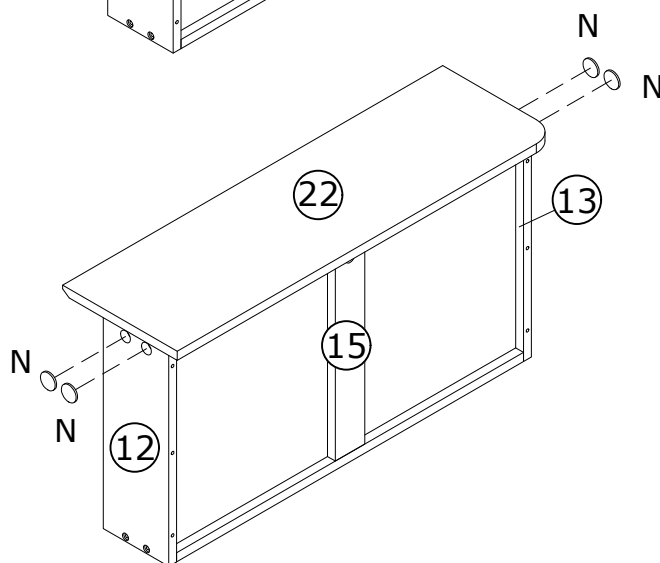
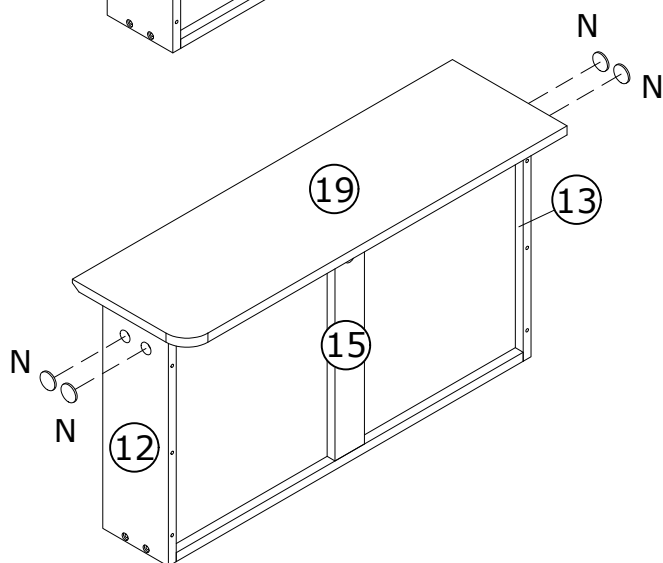
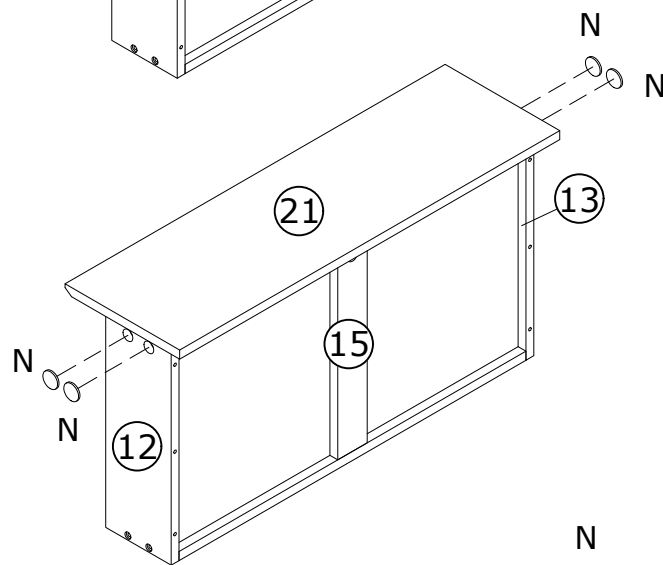
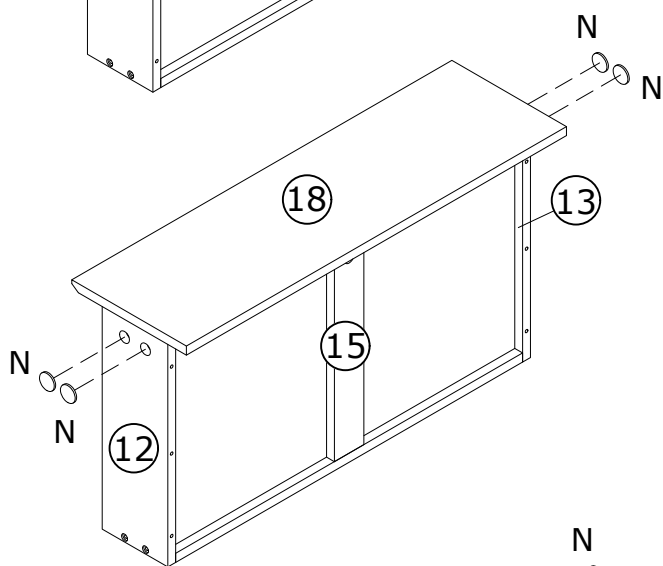
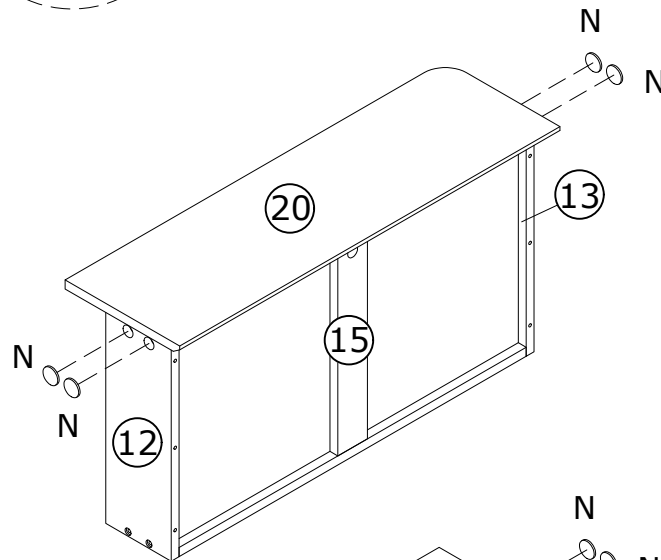
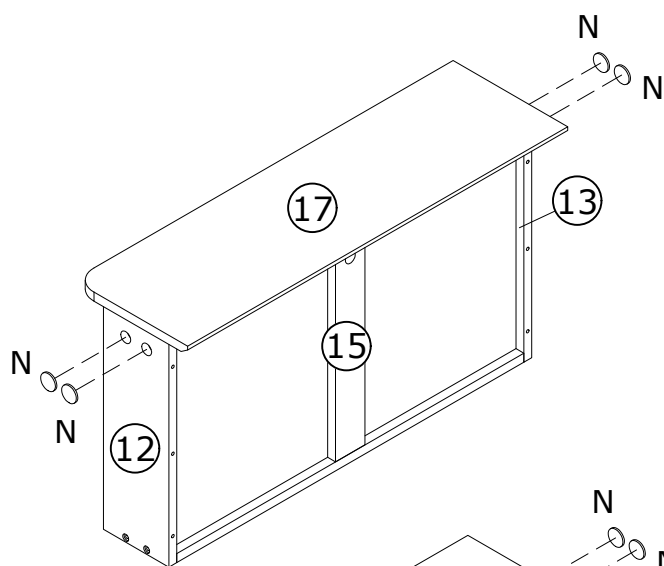
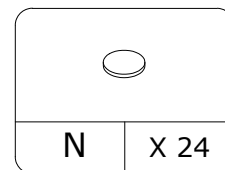
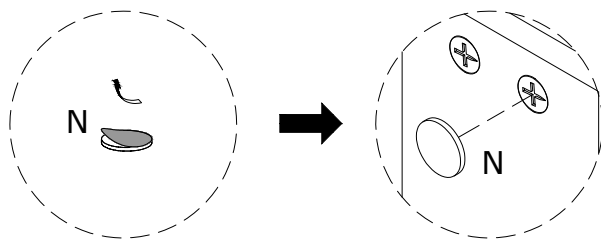


	
M15X10mm	
A	X 30

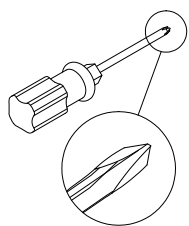



Insert the cam bolt into the hole first, then insert the cam lock and lock it.

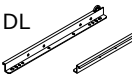
# STEP 26

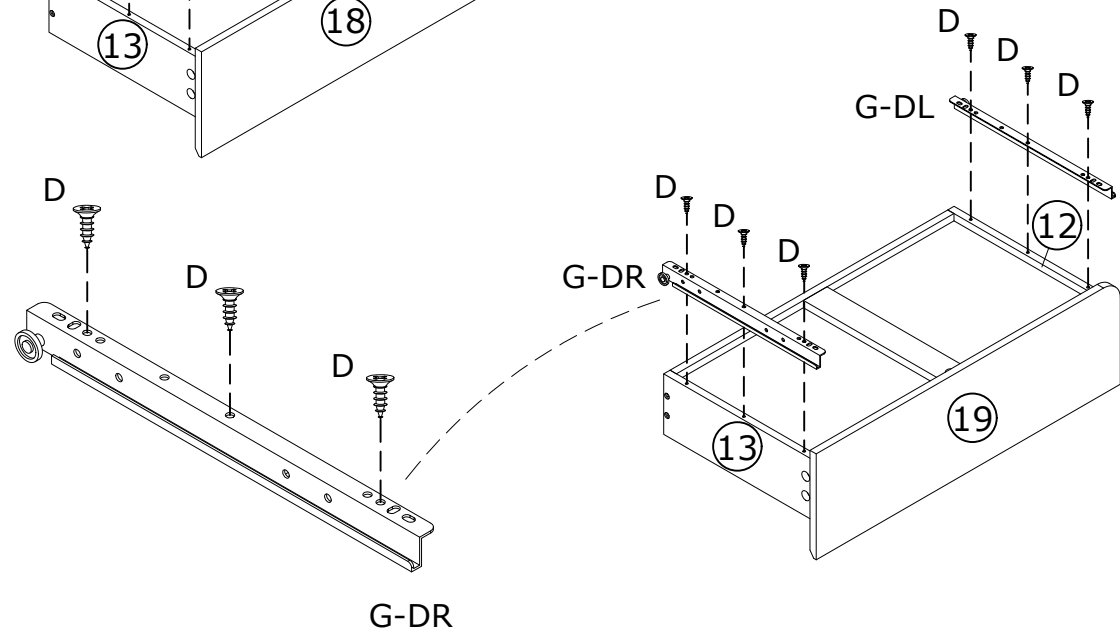
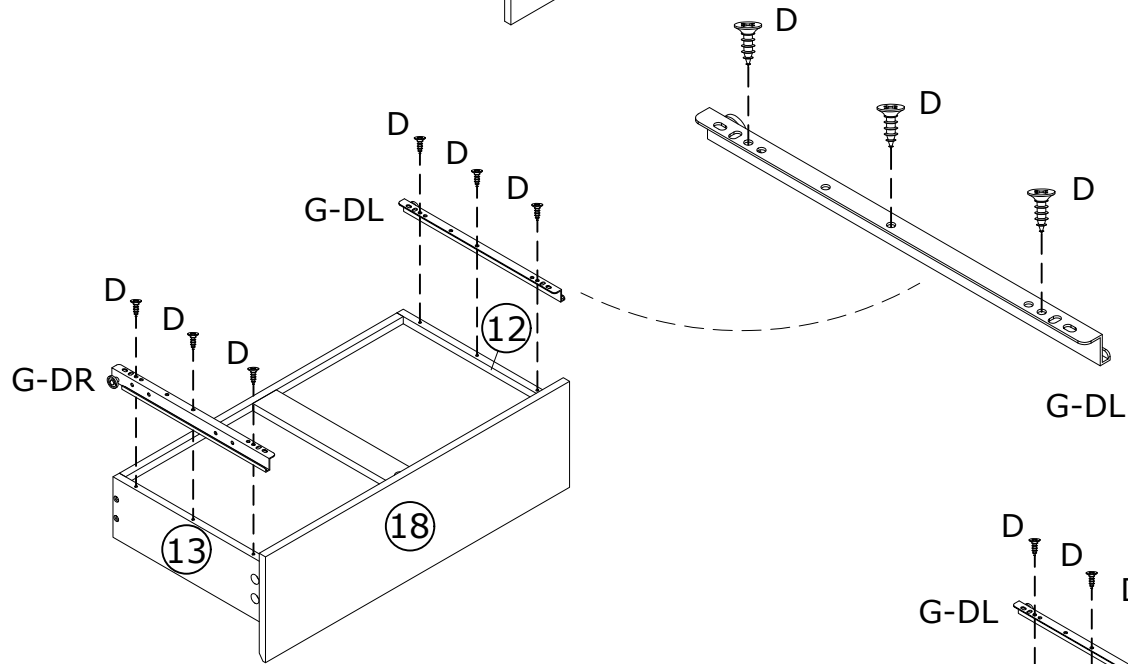
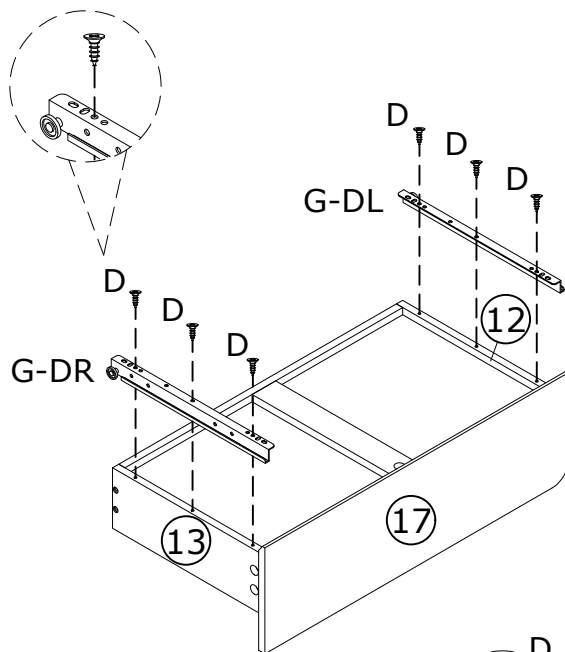


# STEP27

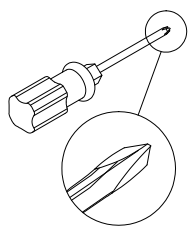



	
M3.5X12mm	
D	X 18

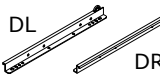
	
L 350mm	
G	X 3

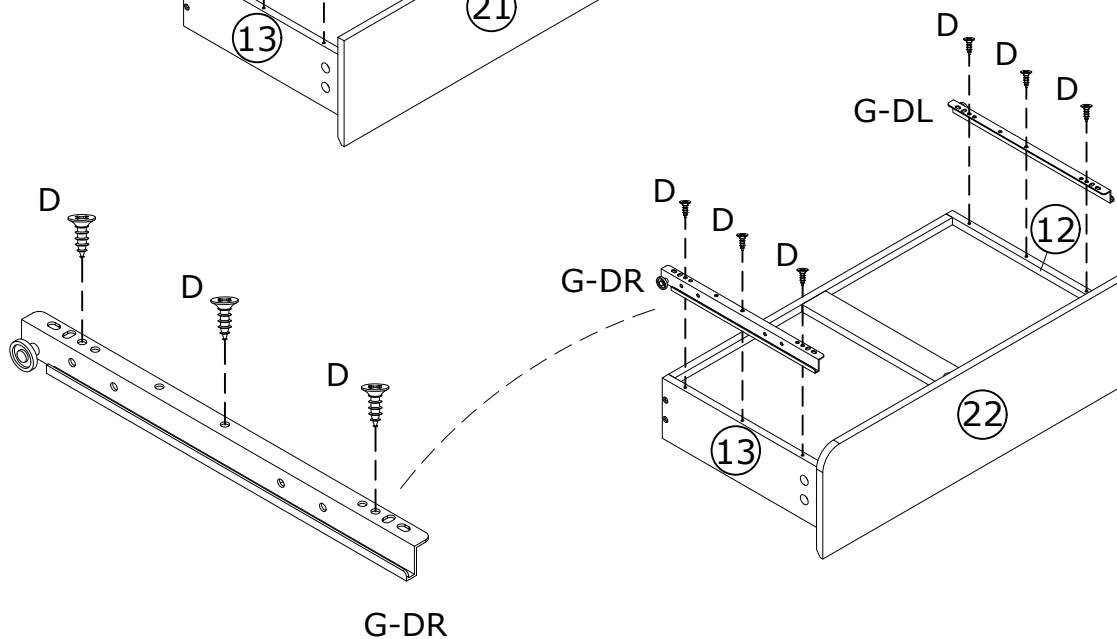
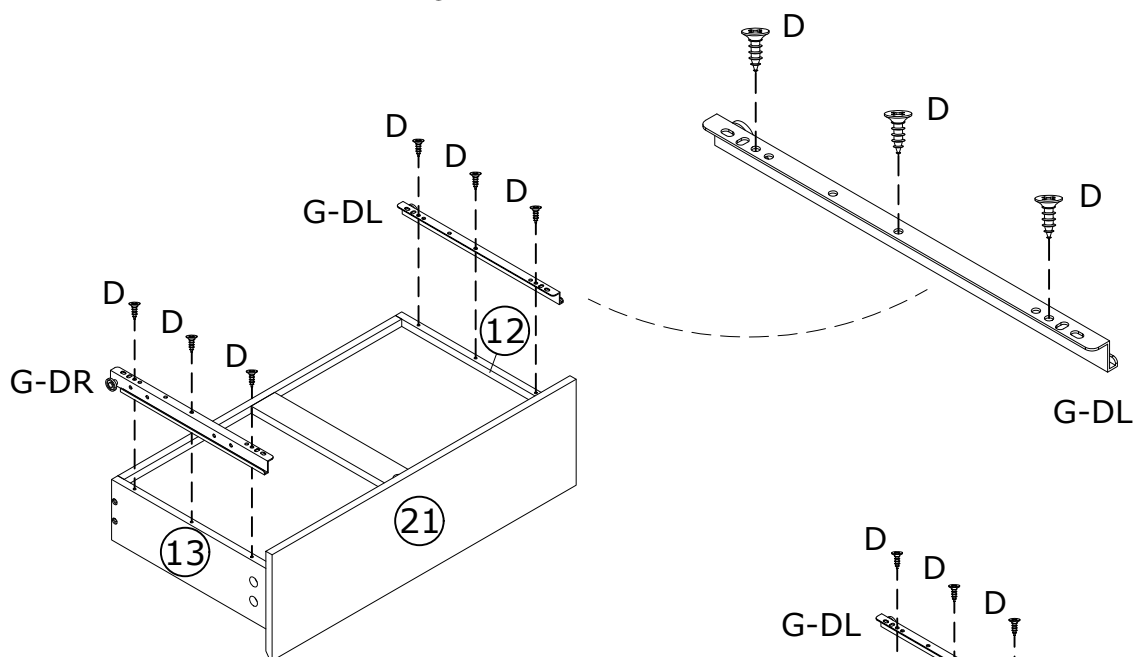
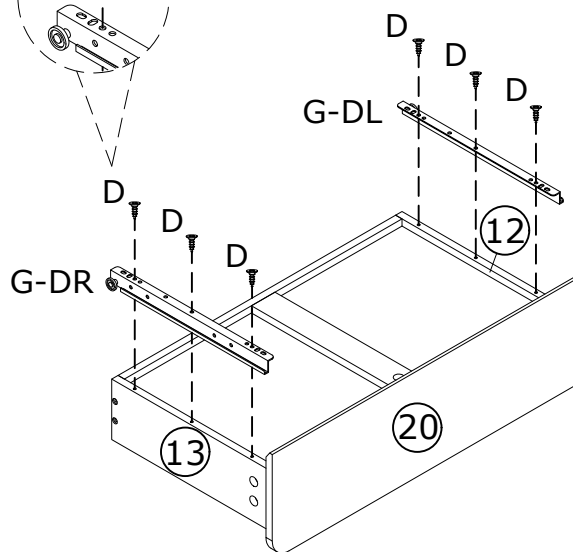


# STEP 28





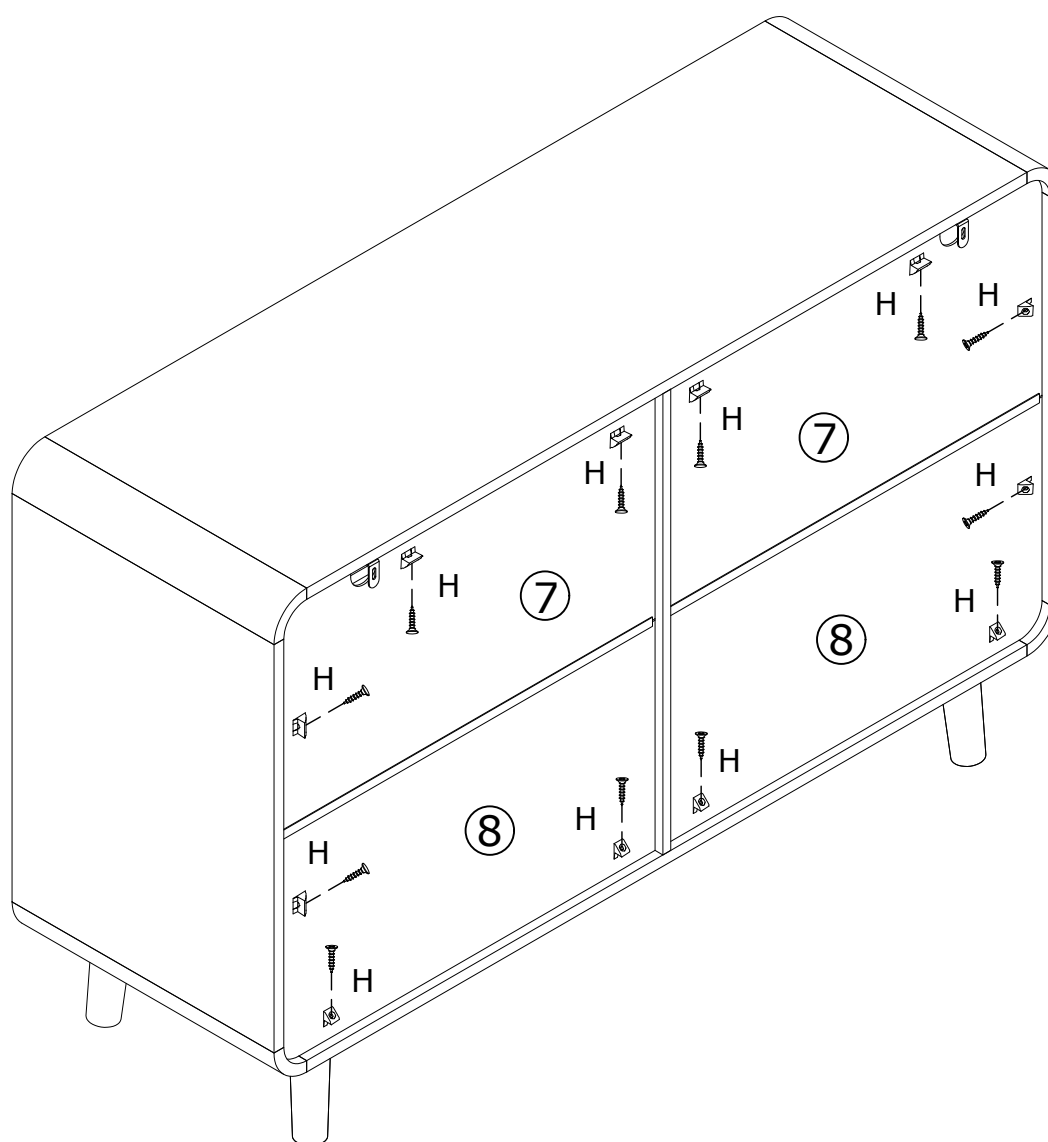
 M3.5X12mm	
D	X 18

 L 350mm	
G	X 3

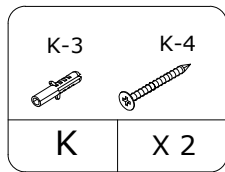
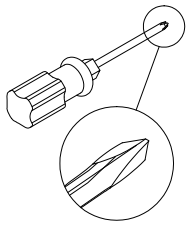


# STEP 29

	
H	X 12



# STEP30

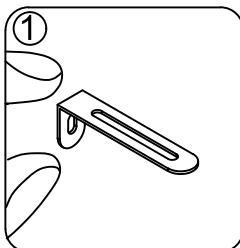


**NOTE:**The tipping restraint hardware included is for wooden stud wall construction. It must be attached to a wall stud. Depending upon your wall construction different anchor hardware may be required. Please contact your local hardware store for assistance. Young children can be seriously injured by tipping furniture. You must install the tipping restraint hardware with the unit to prevent the unit from tipping, causing any accidents or damage. The tipping restraints are intended only as a deterrent and are not a substitute for proper adult supervision. The tipping restraints are not earthquake restraints. If you wish to add the extra security of earthquake restraints, they must be purchased and installed separately.

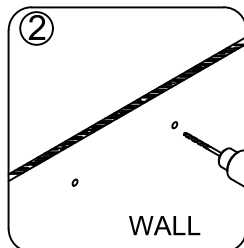
We have included a set of tipping restraint hardware for this unit. You must install this hardware to prevent accidents or injuries that can result from the unit falling. When properly installed, this restraint can provide protection against the unexpected tipping of the unit due to small tremors, bumps or climbing. We strongly recommend mounting this hardware to a wall stud and your unit.



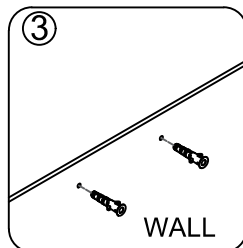
## Install the tipping restraint hardware



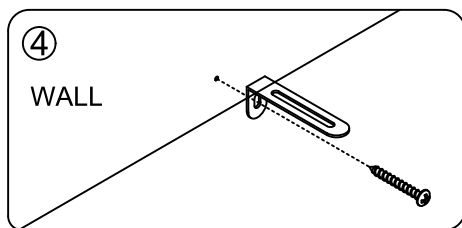
1. make mark on the wall



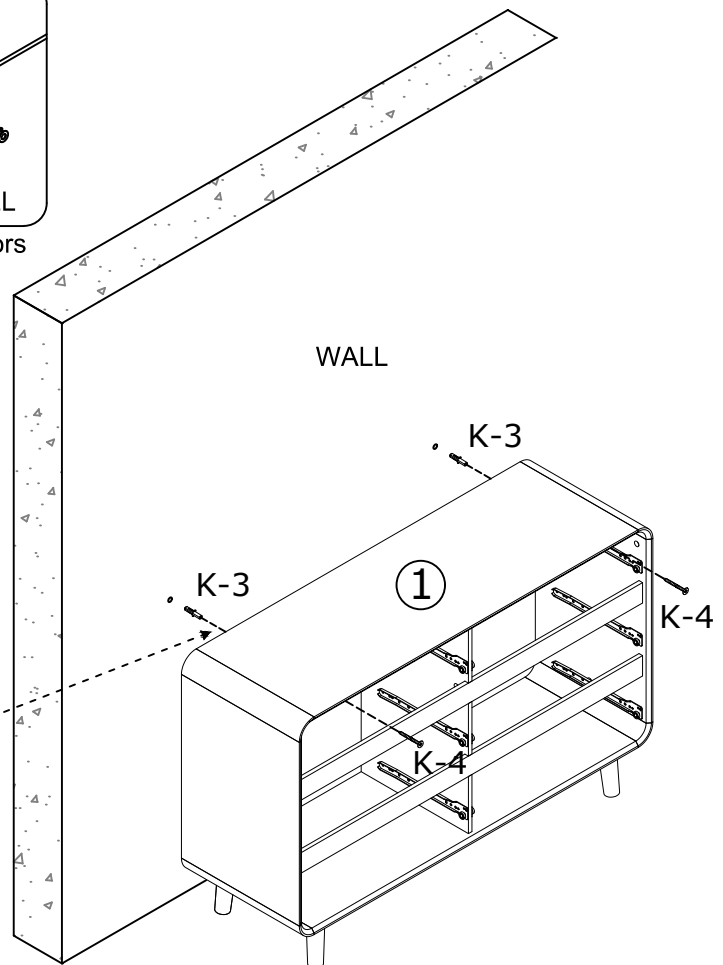
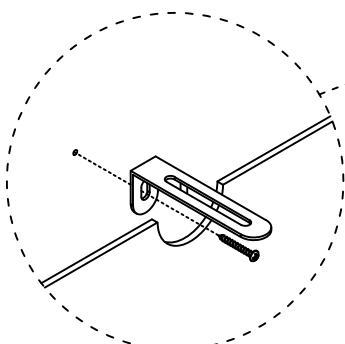
2. drill two Ø6 holes on the wall



3. put two anchors in the holes

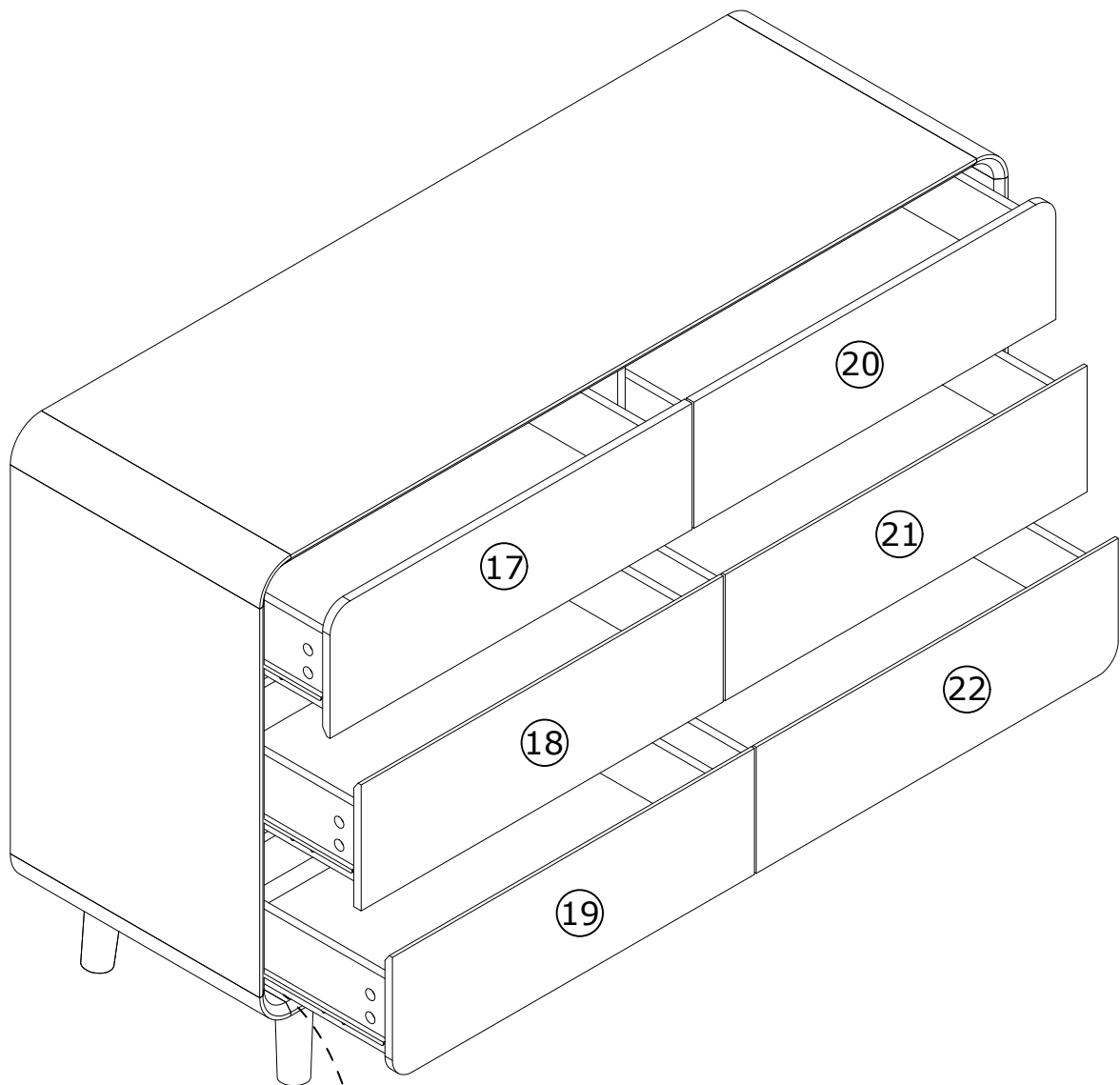


5. Push the cabinet close to the wall and then put on nylon tie to tighten it.

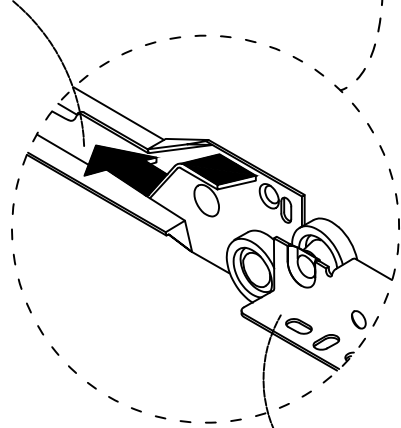


# STEP31

---



Cabinet Slide



Drawer Slide