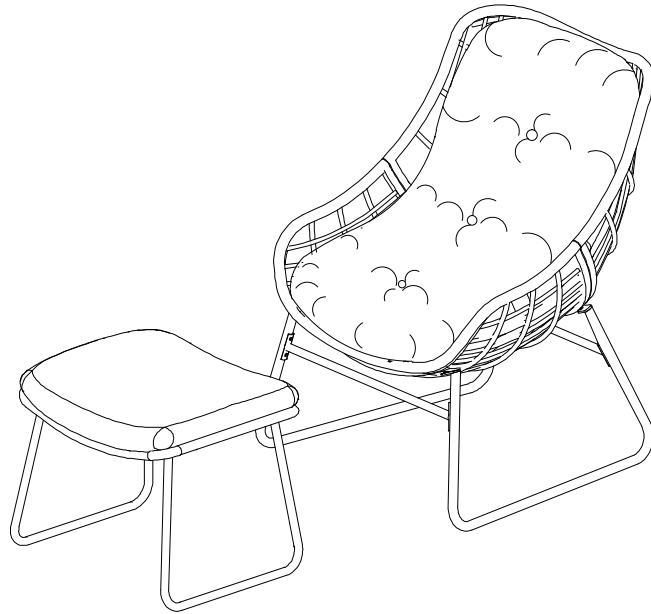


ASSEMBLY INSTRUCTIONS



ABOUT US

Since 2009, our company has been committed to producing high-quality outdoor products. Thank you for your trust and support. We will provide you with the best shopping experience with our sincerest service and deepest gratitude. Your satisfaction is our eternal pursuit. Being trusted by you is our perpetual goal. On the journey from strangeness to familiarity, and from trust to satisfaction, it is your warm support that gives us more motivation to continue moving forward and providing even better quality and service.



Estimated Time for Assembly

45:00



Weight Limitation

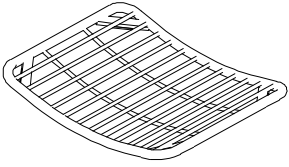
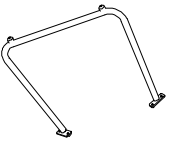
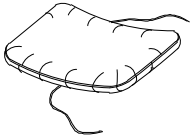
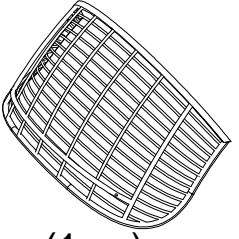
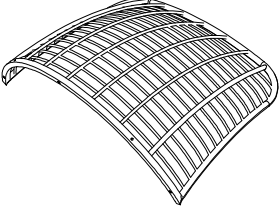
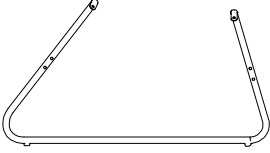
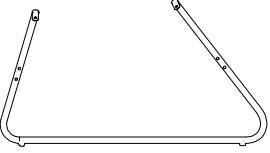
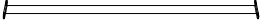


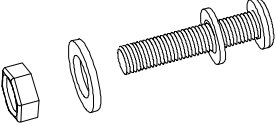
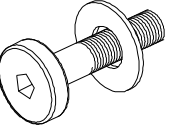

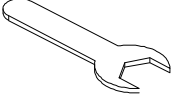
330 lbs Chair

330 lbs Ottoman

If you want to return or if the product is unsatisfactory, please try emailing us.

We are at your service for 18 hours and will definitely give you a satisfactory answer.

PART LIST

<p>A Ottoman Seat</p>  <p>(1 pc)</p>	<p>B Ottoman Leg</p>  <p>(2 pcs)</p>	<p>C Ottoman Cushion</p>  <p>(1 pc)</p>	<p>D Chair Seat</p>  <p>(1 pc)</p>
<p>E Chair Backrest</p>  <p>(1 pc)</p>	<p>F Left Chair Leg</p>  <p>(1 pc)</p>	<p>G Right Chair Leg</p>  <p>(1 pc)</p>	<p>H Rear Leg Linker</p>  <p>(1 pc)</p>
<p>I Front Leg Linker</p>  <p>(1 pc)</p>	<p>J Chair Cushion</p>  <p>(1 pc)</p>	<p>K Bolt&Washer&Nut</p>  <p>M6*50 (3 pcs)</p>	<p>L Bolt&Washer</p>  <p>M6*15 (20 pcs)</p>
<p>M Allen Key</p>  <p>(1 pc)</p>	<p>N Open Wrench</p>  <p>(1 pc)</p>		

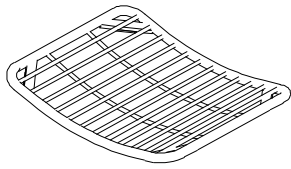
Do not fully tighten bolts until assembly is complete

Tools Needed

All necessary tools are included in the package.

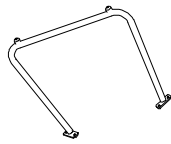
NOTE: The instruction booklet contains **IMPORTANT** safety information Please read and keep for future reference.

A Ottoman Seat



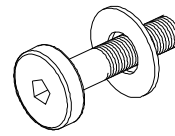
(1 pc)

B Ottoman Leg



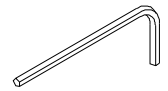
(2 pcs)

L Bolt&Washer



M6*15
(8 pcs)

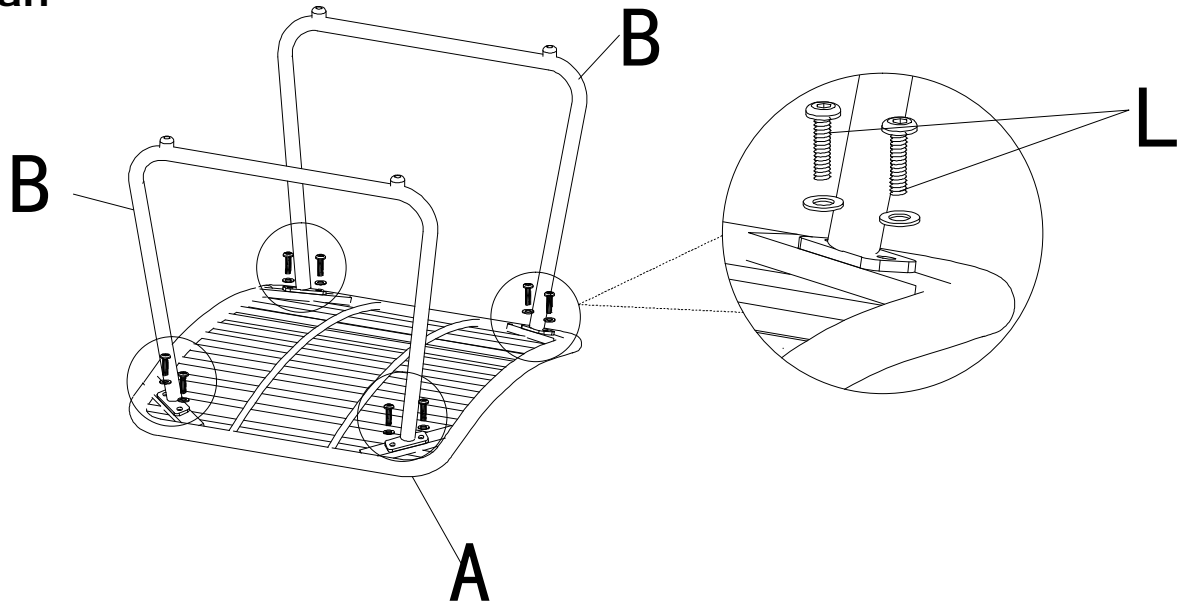
M Allen Key



(1 pc)

Step 1

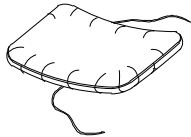
Ottoman



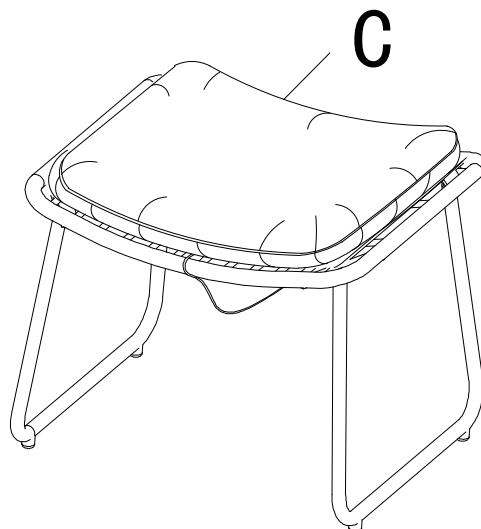
Step 2

Ottoman

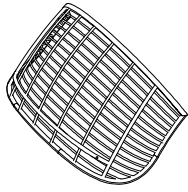
C Ottoman Cushion



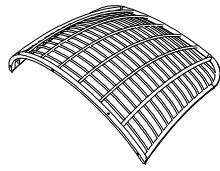
(1 pc)



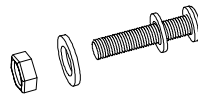
D Chair Seat **E** Chair Backrest **K** Bolt&Washer & Nut **M** Allen Key **N** Open Wrench



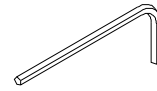
(1 pc)



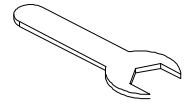
(1 pc)



M6*50
(3 pcs)

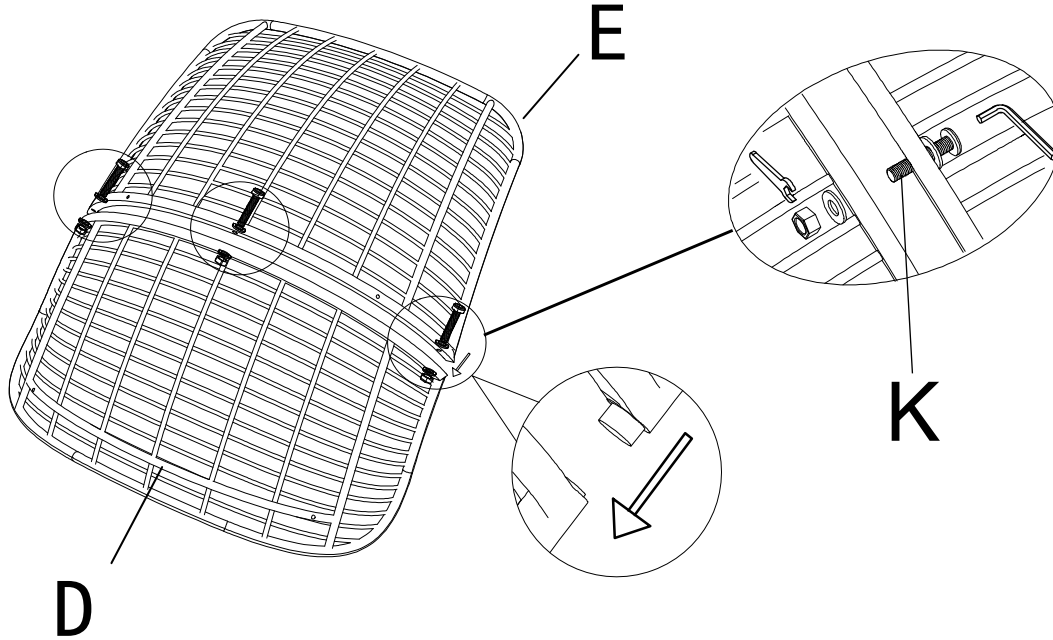


(1 pc)



(1 pc)

Step 3
Chair

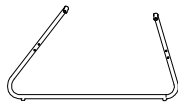


D

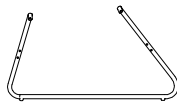
E

K

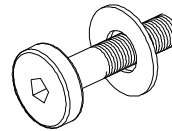
F Left Chair Leg **G** Right Chair Leg **L** Bolt&Washer **M** Allen Key



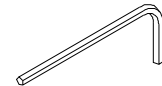
(1 pc)



(1 pc)

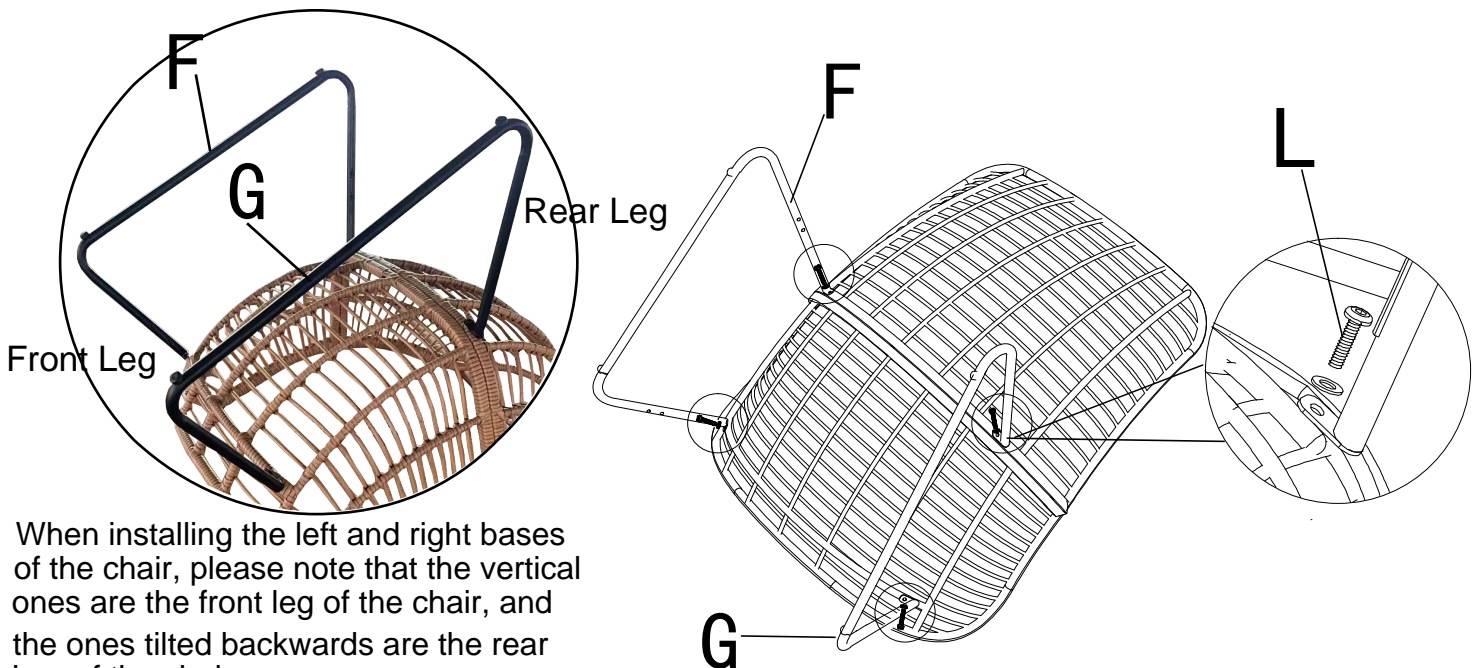


M6*15
(4 pcs)



(1 pc)

Step 4
Chair



F

G

Rear Leg

Front Leg

F

L

G

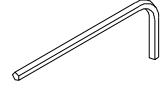
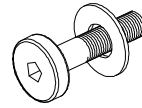
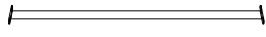
When installing the left and right bases of the chair, please note that the vertical ones are the front leg of the chair, and the ones tilted backwards are the rear Leg of the chair.

H Rear Leg Linker

I Front Leg Linker

L Bolt&Washer

M Allen Key



(1 pc)

(1 pc)

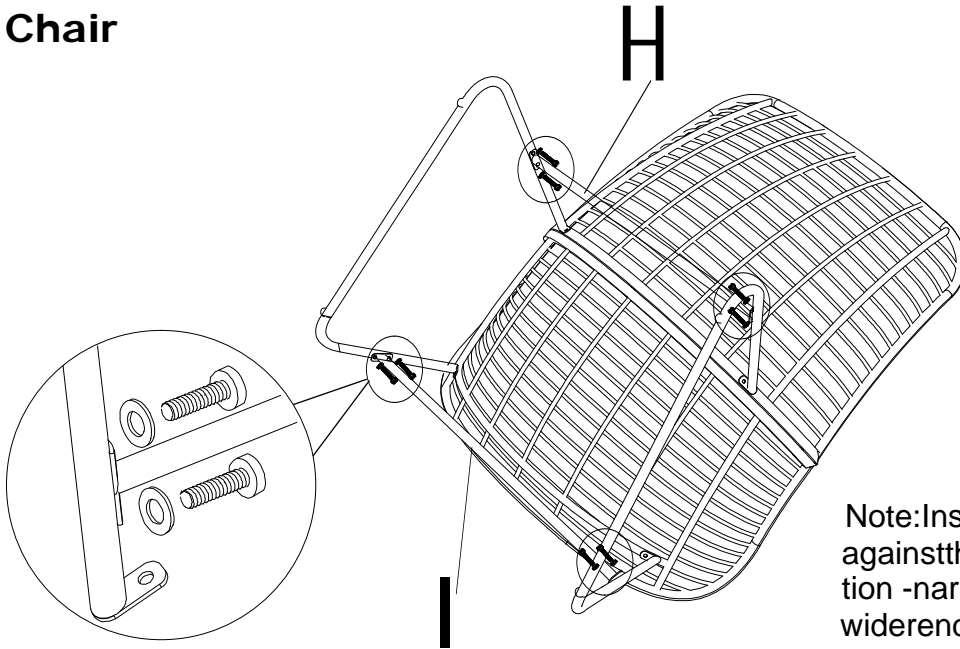
M6*15

(8 pcs)

(1 pc)

Step 5

Chair



Note:Inspect the connecting rod installation against the diagram, Ensure proper orientation -narrow end (top) must face chair seat, wider end (bottom) leg.

Note: The front leg linker is long and the rear leg linker is short.

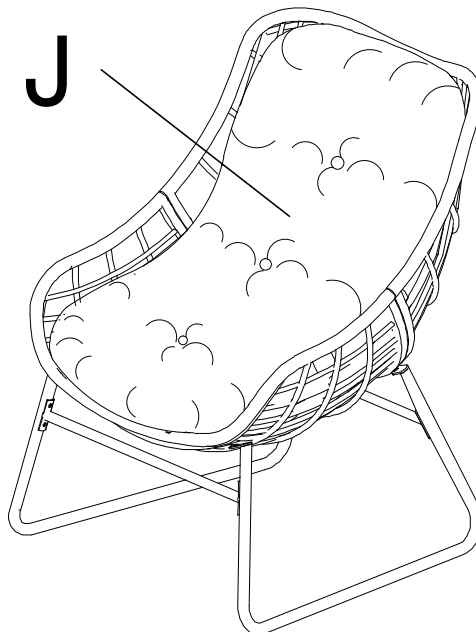
J Chair Cushion



(1 pc)

Step 6

Chair



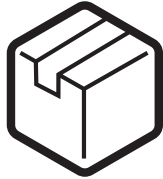


The End

Warranty

All of our products come with a 1-year warranty.

In case of damage caused by non-human factors, we will provide free return and exchange services.



Replacement



You

You don't have to worry about re-packaging / schedule pick-up.

Service

Looking forward to the completed product after assembly! As all our products are handmade, some uncontrollable factors may arise. If you encounter any quality issues with the product or experience difficulties during assembly, please do not do not panic! Kindly contact us as soon as possible. Our customer service team will provide you with the fastest solution and offer you quality and professional service.

CARE AND MAINTENANCE

Polyrattan

Thank you for your purchase. We want your item to last as long as possible. To ensure the product gives you years of service, please refer to this care and maintenance guide.



MAINTENANCE

- Tighten all bolts and screws again within the first 2 weeks of assembly.
- Check the tightness of all bolts every 2 months, tighten them if necessary.



CLEANING (CUSHION)

- Leave the filling inside the cover.
- Gently spray and wash the surface to remove any dirt and grime.
- Agitate the surface with natural soap (not detergent).
- Rinse the cushion with cold water.
- Fully air dry the cushion before using or storing.

⚠ DO NOT apply heat to the fabric.

⚠ DO NOT put fabric into washing machine or tumble dryer.

CLEANING (POLYRATTAN)

- Remove all cushion from the furniture.
- Spray and wash the furniture with warm water to remove dirt and dust.
- Use mild soap solution and agitate with a soft brush if necessary.
- Rinse the furniture with clean water to remove residue or any soap solution.

⚠ DO NOT wash the product with pressure washer or solvent based, abrasive powder, chlorine bleaches or silicone cleaner to prevent damaging the product.



STORAGE

- All polyrattan furniture and cushion should always be air dried before storage.
- To protect the appearance, the furniture should be protected from all severe weather or strong direct sunlight and stored under cover.