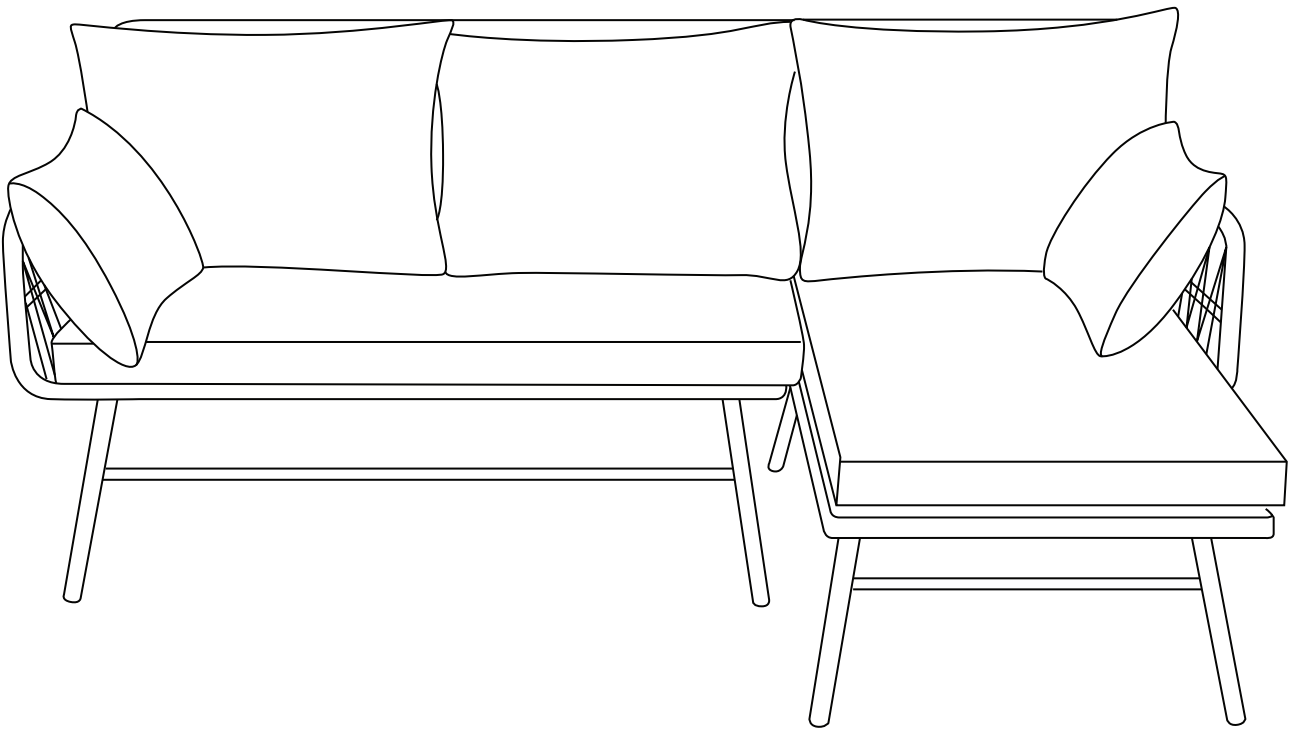


Assembly Instruction



L-Shaped Conversation Sofa Set

READ BEFORE INSTALLATION

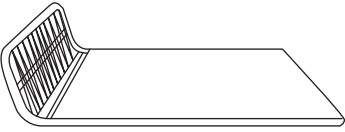
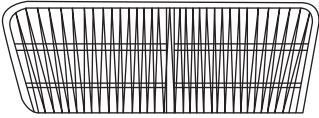



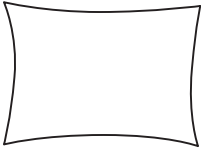
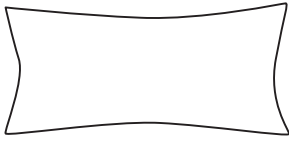
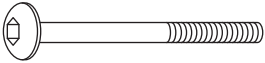
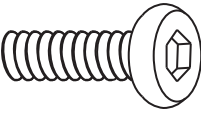


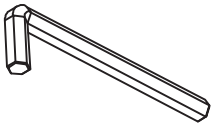


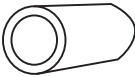
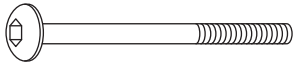
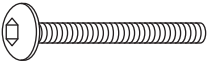
1. If you encounter any issues, such as missing hardware or damaged parts, please contact us.

Our after-sales team will get back to you within 24 hours.

2. Assembly is recommended for one person.

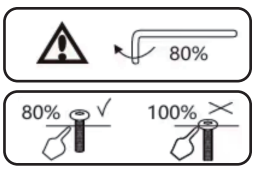
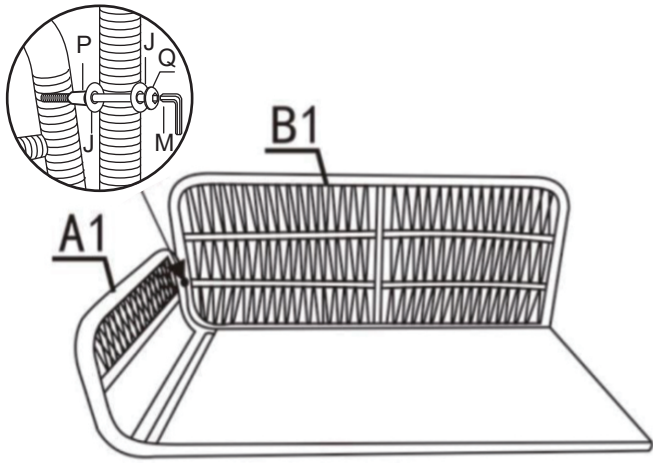
3. Use a low-speed drill. The included Allen wrench is recommended.

4. **Do not** fully tighten the screws until all screws are aligned with the holes.

<p>(A1)</p>  <p>Seat 1pc</p>	<p>(B1)</p>  <p>Backrest 1pc</p>	<p>(C1)</p>  <p>Feetube(short) 2pcs</p>	<p>(D1)</p>  <p>Cross bar(long) 2pcs</p>
<p>(E1)</p>  <p>Cushion 1pc</p>	<p>(F)</p>  <p>Throw Pillow 2pcs</p>	<p>(G)</p>  <p>Long throw pillow 1pc</p>	<p>(H)</p>  <p>M6x65MM 3pcs</p>
<p>(I)</p>  <p>M6x15MM 11pcs</p>	<p>(J)</p>  <p>Washer 23pcs</p>	<p>(K)</p>  <p>Nut 3pcs</p>	<p>(M)</p>  <p>Allen Wrench 1pc</p>
<p>(N)</p>  <p>Connector 1pc</p>	<p>(O)</p>  <p>Wrench 1pc</p>	<p>(P)</p>  <p>Metal Pipe 1pc</p>	<p>(Q)</p>  <p>M6x75mm 1pc</p>
<p>(R)</p>  <p>M6x40mm 4pcs</p>			

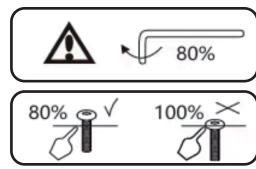
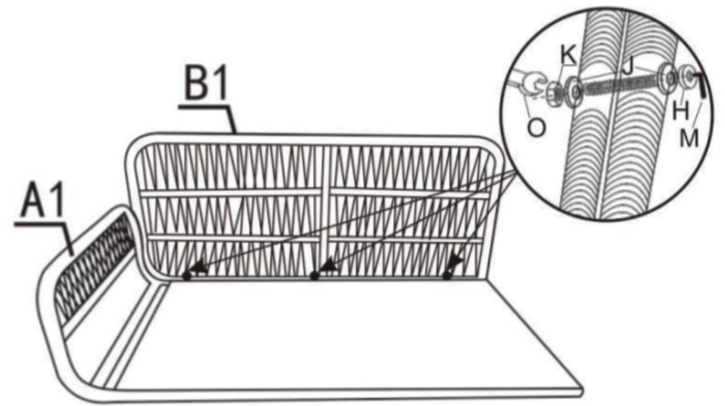
1

A1*1 B1*1 J*2 M*1 Q*1 P*1



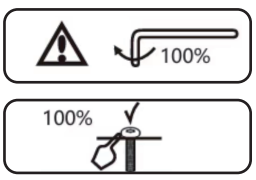
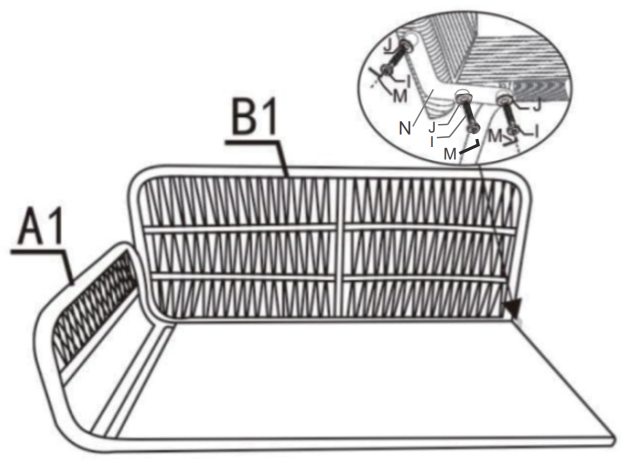
2

J*6 M*1 H*3 K*3 O*1

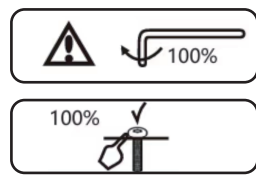
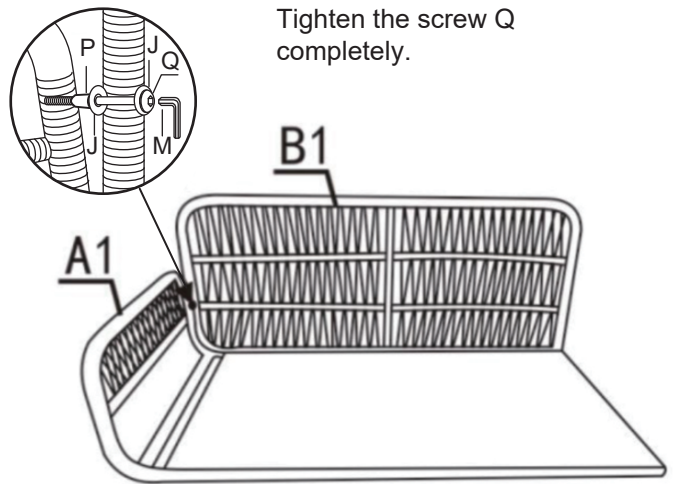


3

J*3 M*1 I*3 N*1

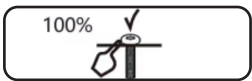
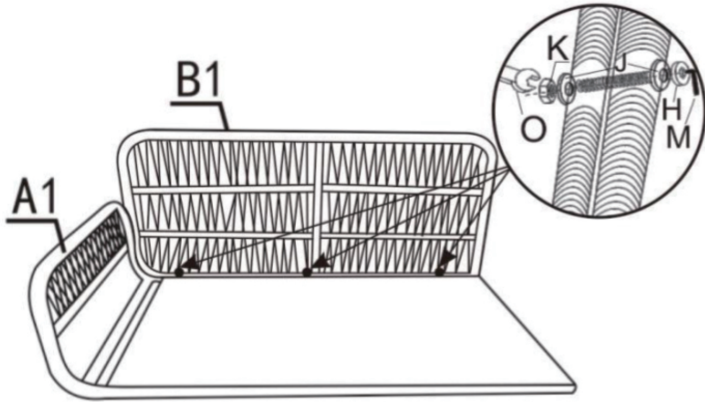


4



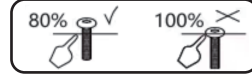
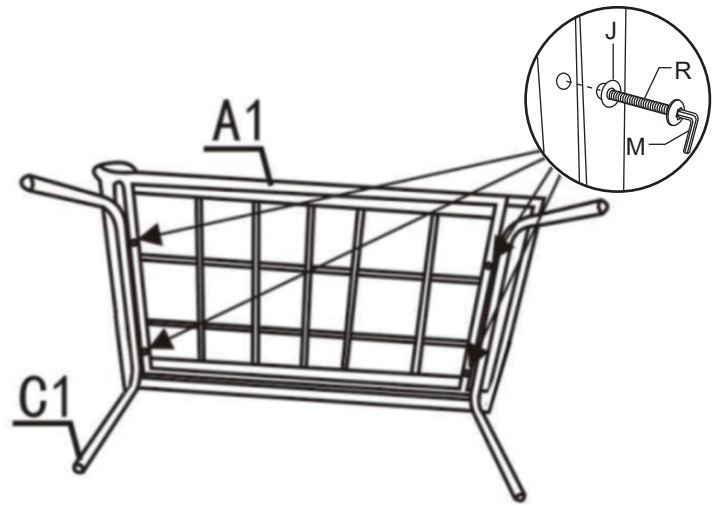
5

Tighten the screw H completely.



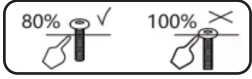
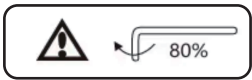
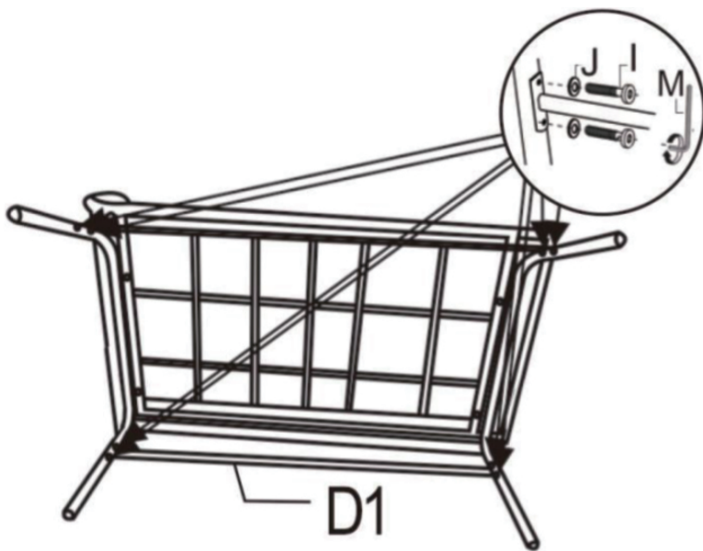
6

C1*1	J*4	M*1	R*4
------	-----	-----	-----



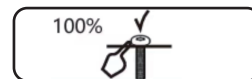
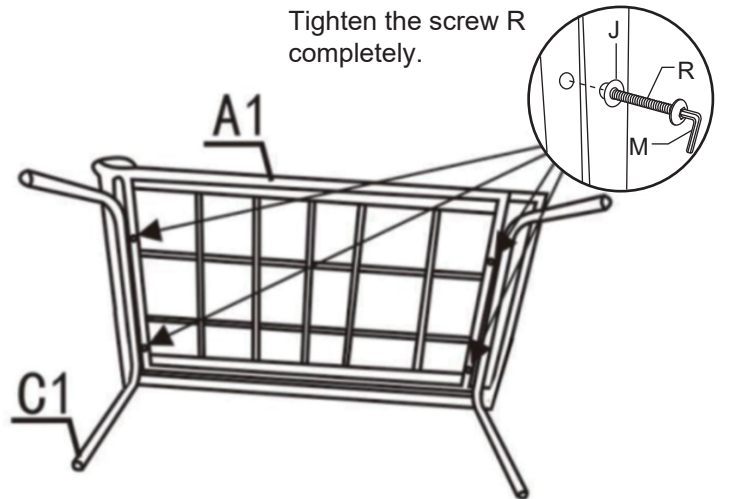
7

D1*2	I*8	J*8	M*1
------	-----	-----	-----



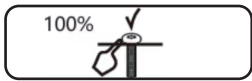
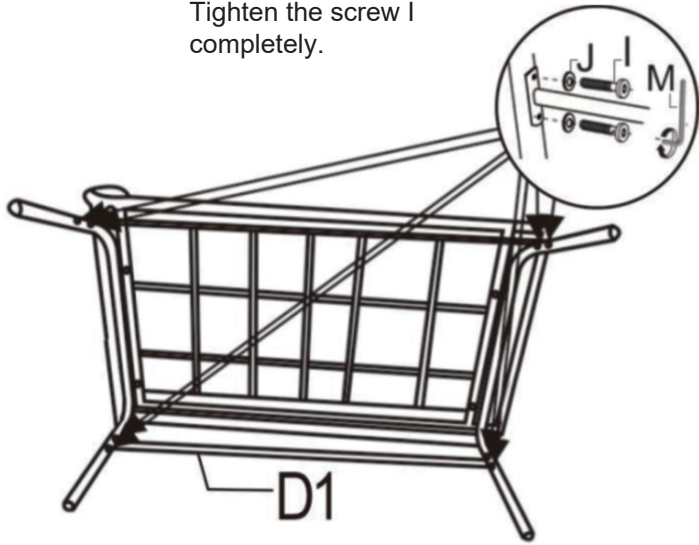
8

Tighten the screw R completely.

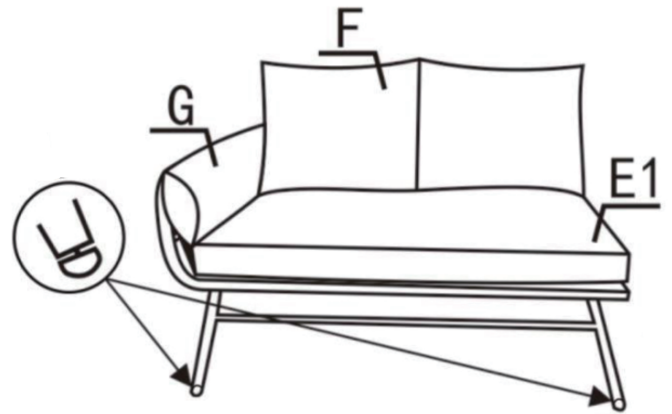


9

Tighten the screw I completely.

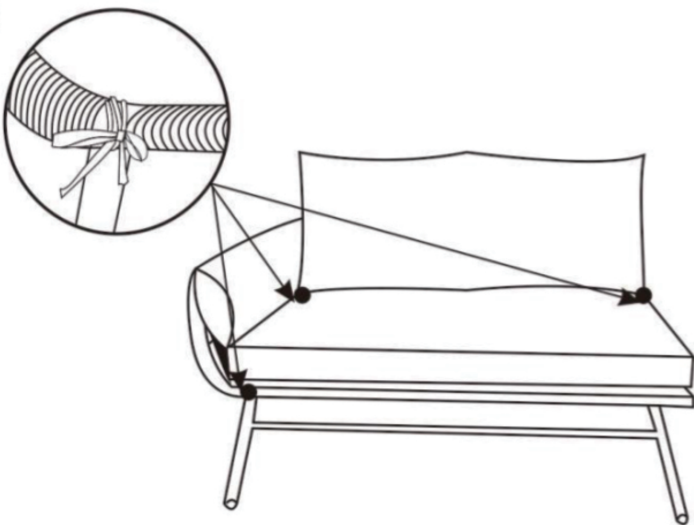


10

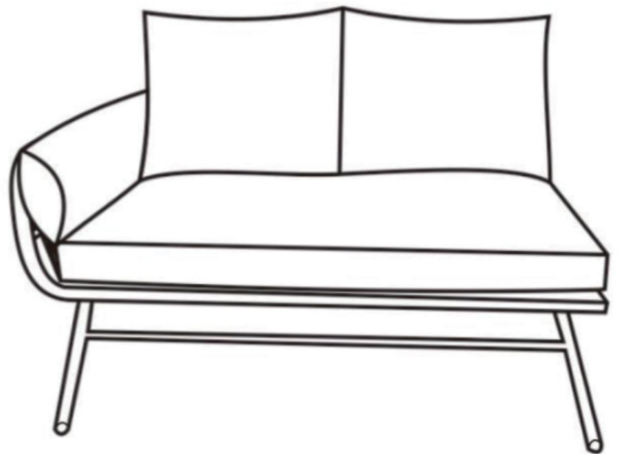


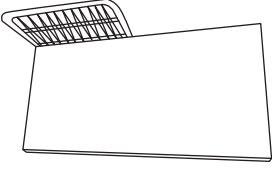
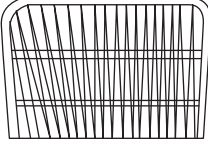



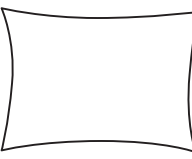
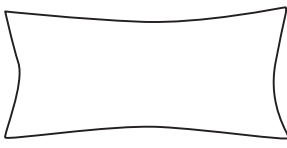
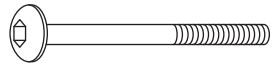
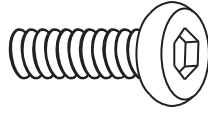


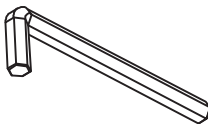


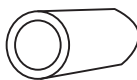
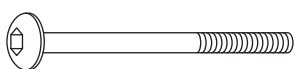

Tighten the plastic feet cap and adjust it if necessary.

11



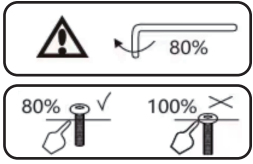
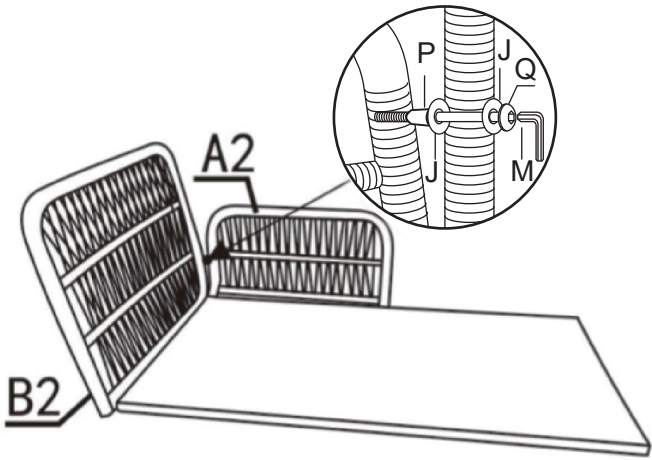
12



<p>A2</p>  <p>Seat 1pc</p>	<p>B2</p>  <p>Backrest 1pc</p>	<p>C2</p>  <p>Feet tube(longt) 2pcs</p>	<p>D2</p>  <p>Cross bar(short)2pcs</p>
<p>E2</p>  <p>Cushion 1pc</p>	<p>F</p>  <p>Throw Pillow 2pcs</p>	<p>G</p>  <p>Long throw pillow 1pc</p>	<p>H</p>  <p>M6x65MM 2pcs</p>
<p>I</p>  <p>M6x15MM 11pcs</p>	<p>J</p>  <p>Washer 21pcs</p>	<p>K</p>  <p>Nut 2pcs</p>	<p>M</p>  <p>Allen Wrench 1pc</p>
<p>N</p>  <p>Connector 1pc</p>	<p>O</p>  <p>Wrench 1pc</p>	<p>P</p>  <p>Metal Pipe 1pc</p>	<p>Q</p>  <p>M6x75mm 1pc</p>
<p>R</p>  <p>M6x40mm 4pcs</p>			

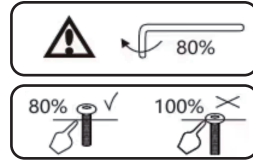
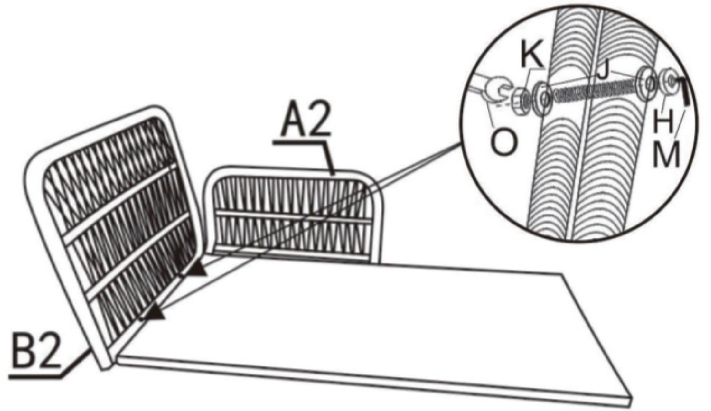
1

A2*1 B2*1 J*2 Q*1 M*1 P*1



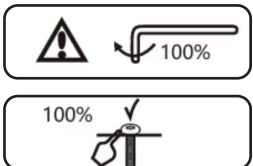
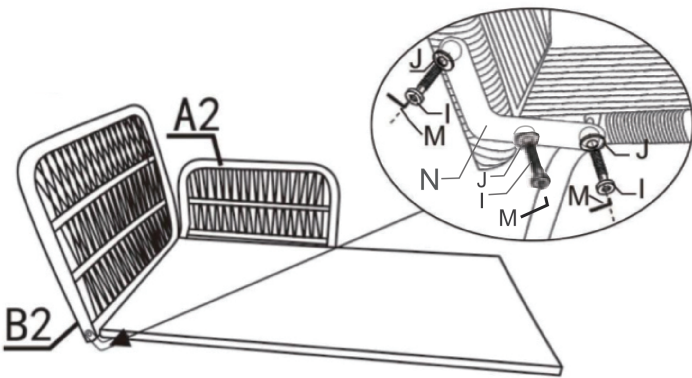
2

J*4 M*1 H*2 K*2 O*1



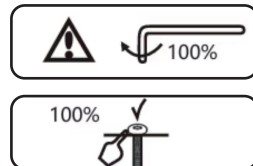
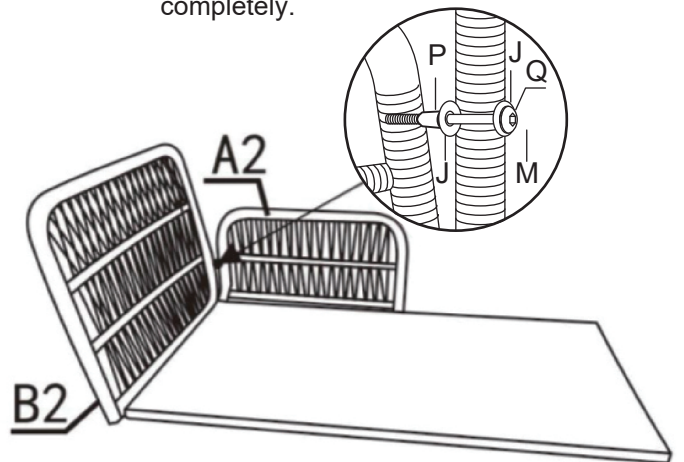
3

I*3 J*3 M*1 N*1



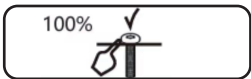
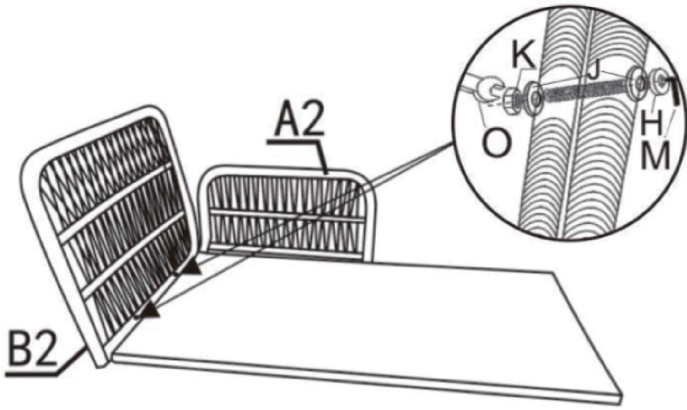
4

Tighten the screw Q completely.



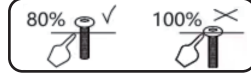
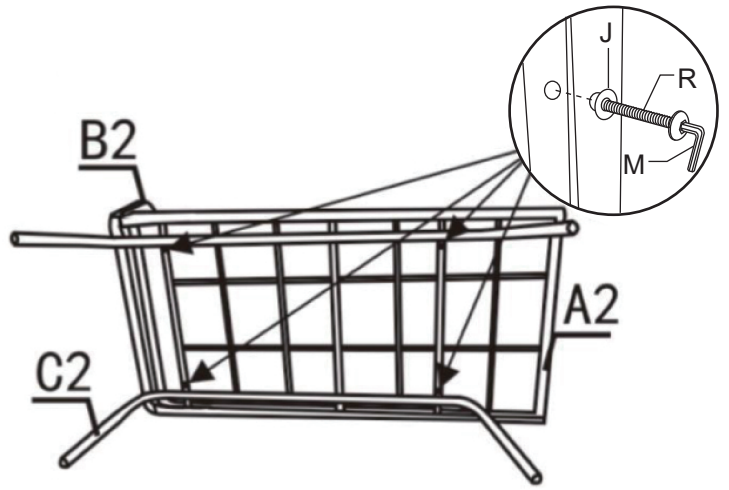
5

Tighten the screw H completely.



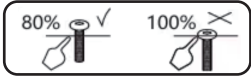
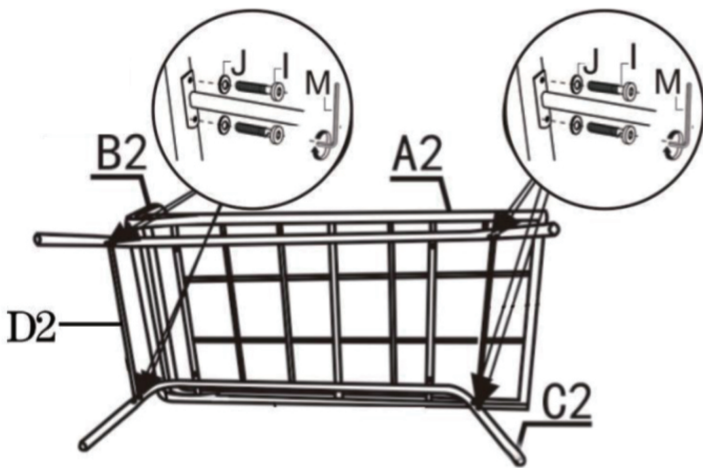
6

C2*1	J*4	M*1	R*4
------	-----	-----	-----



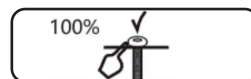
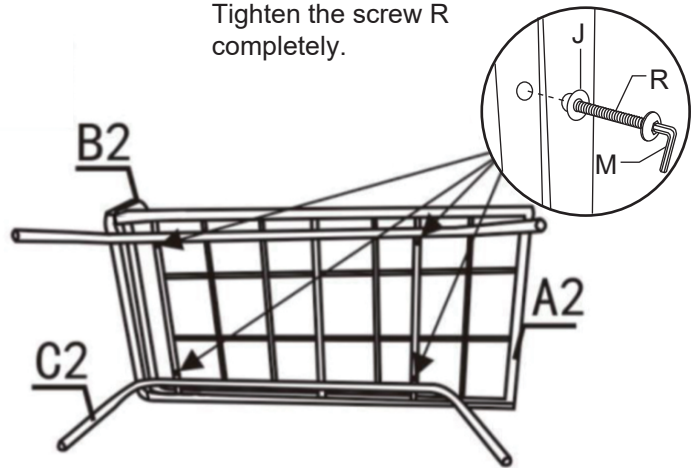
7

D2*2	I*8	J*8	M*1
------	-----	-----	-----



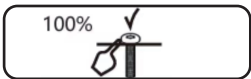
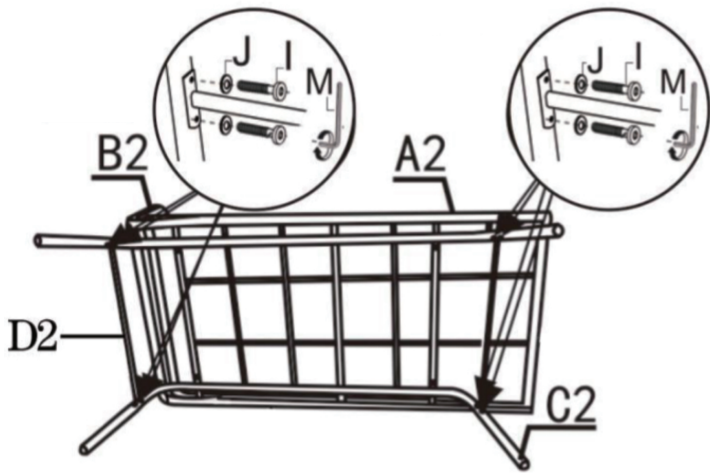
8

Tighten the screw R completely.

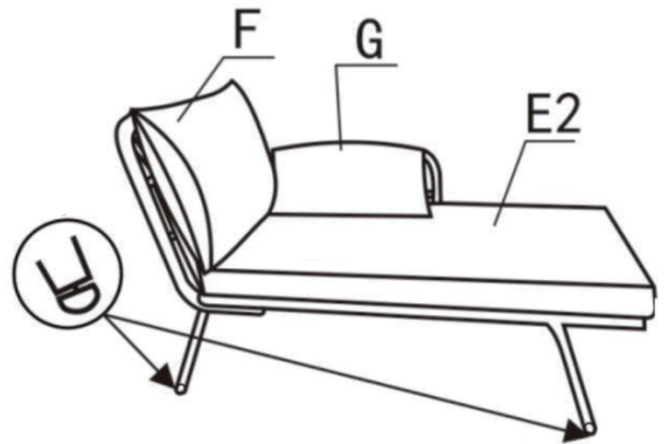


9

Tighten the screw I completely.

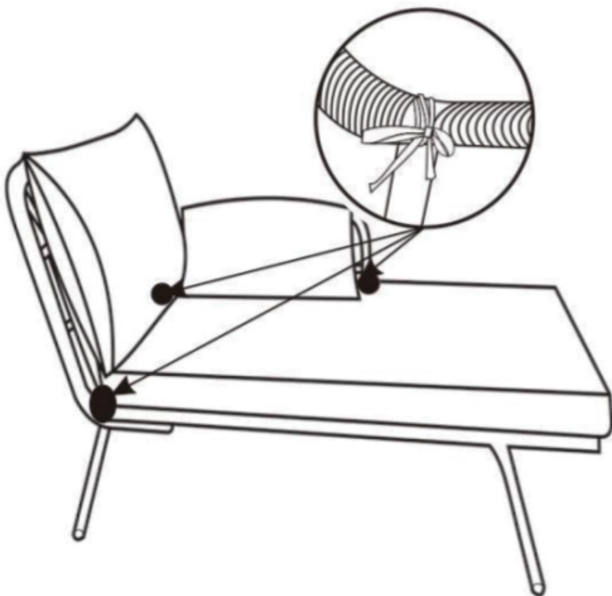


10



Adjust the plastic feet cap if necessary.

11



12

