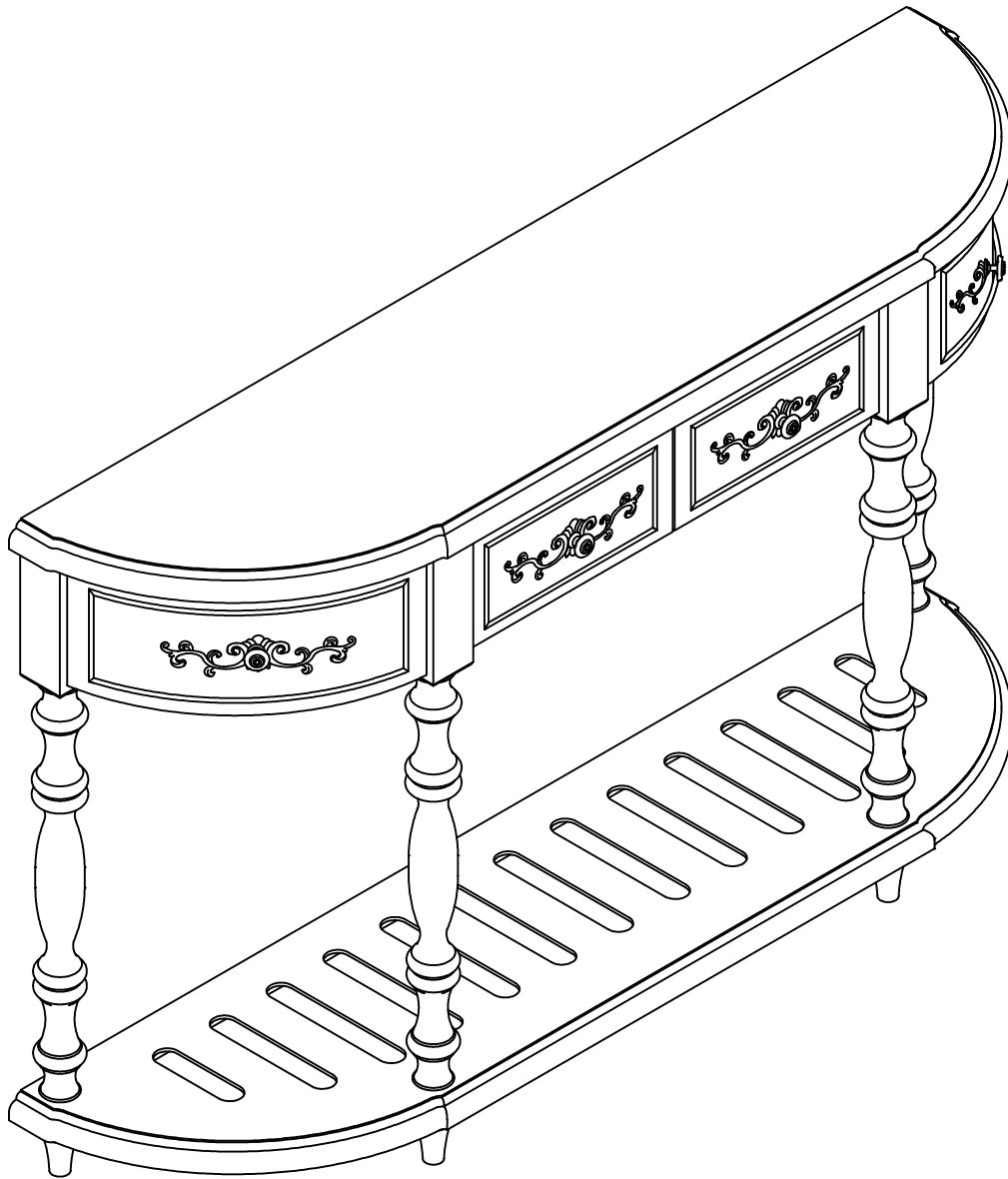
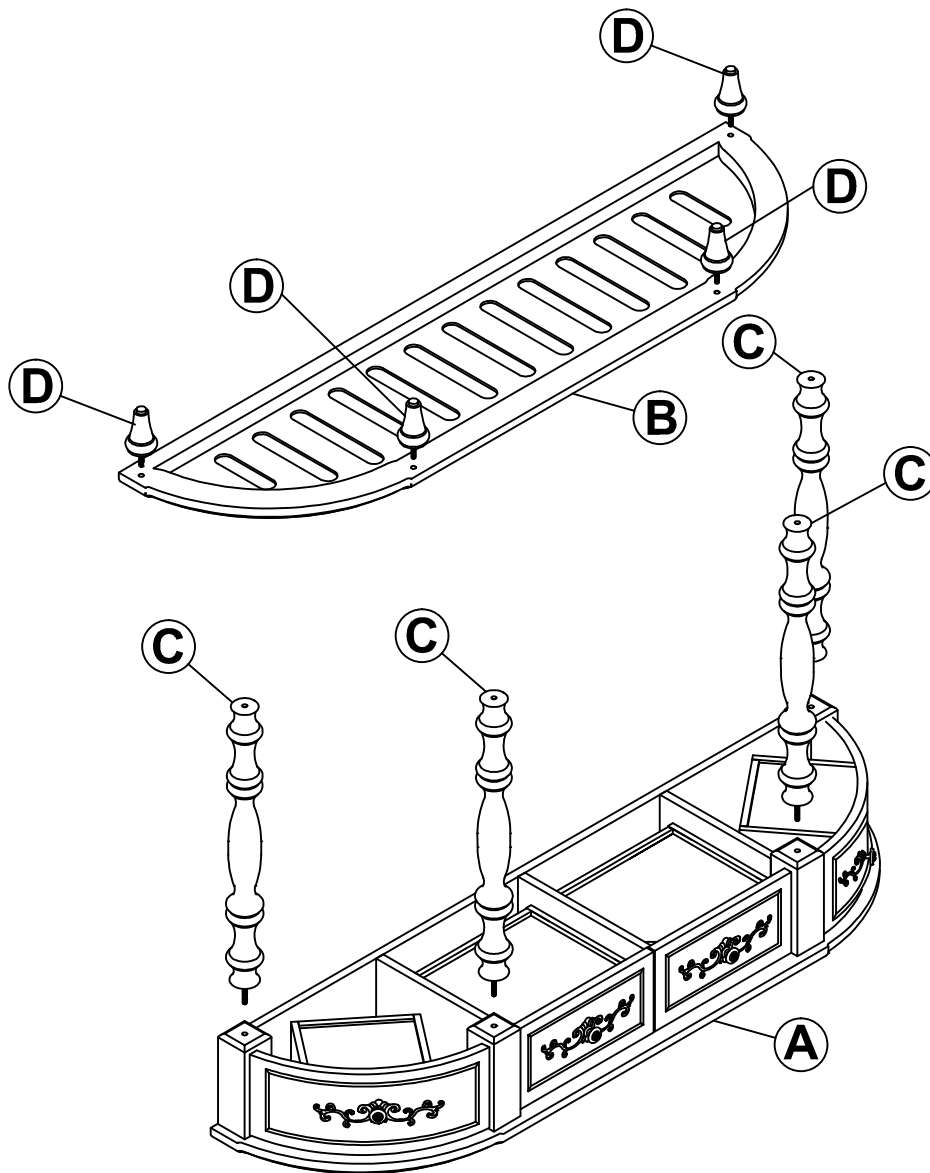


ASSEMBLY INSTRUCTIONS



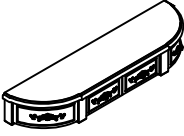


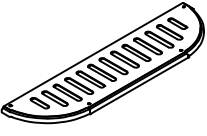





IMPORTANT NOTE:

- ① PLACE ALL PARTS ON A CLEAN AND SMOOTH SURFACE SUCH AS A RUG OR CARPET TO AVOID THE PARTS FROM BEING SCRATCHED.
- ② BEFORE YOU BEGIN, KINDLY FOLLOW THE ASSEMBLY INSTRUCTIONS STEP BY STEP.
- ③ DO NOT TIGHTEN ALL SCREWS AND BOLTS UNTIL THE TABLE IS FULLY SET-UP.

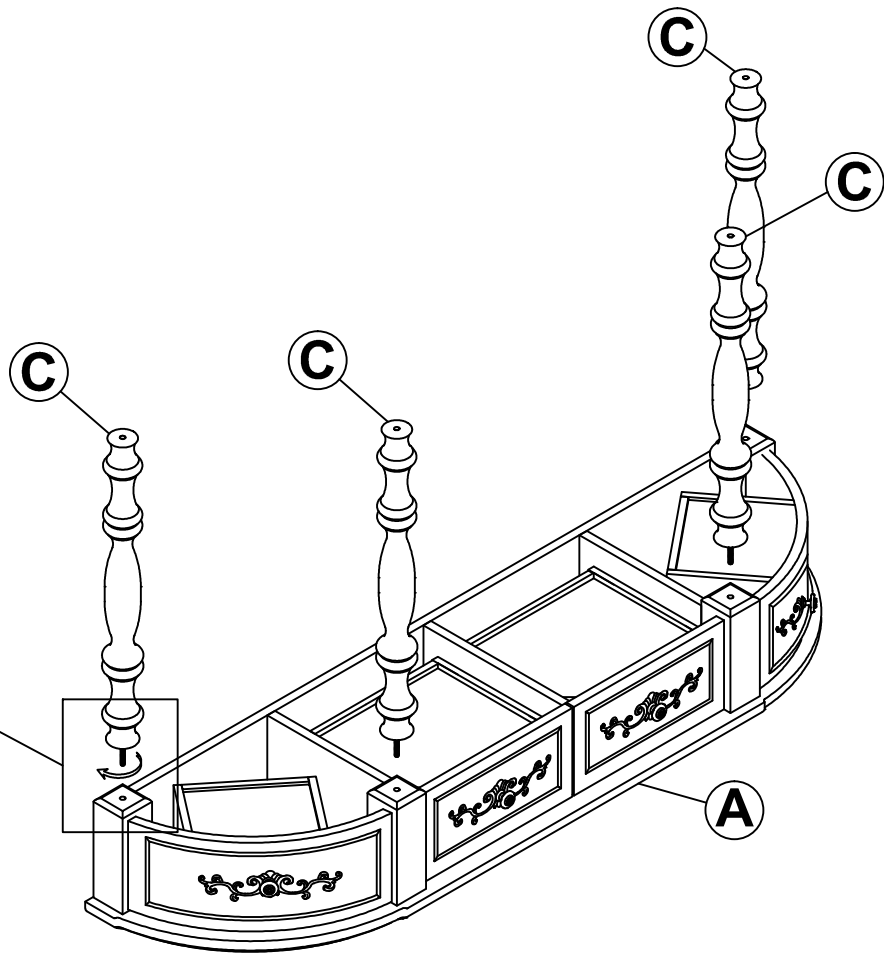
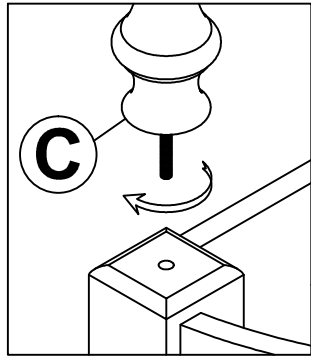


Part List For One

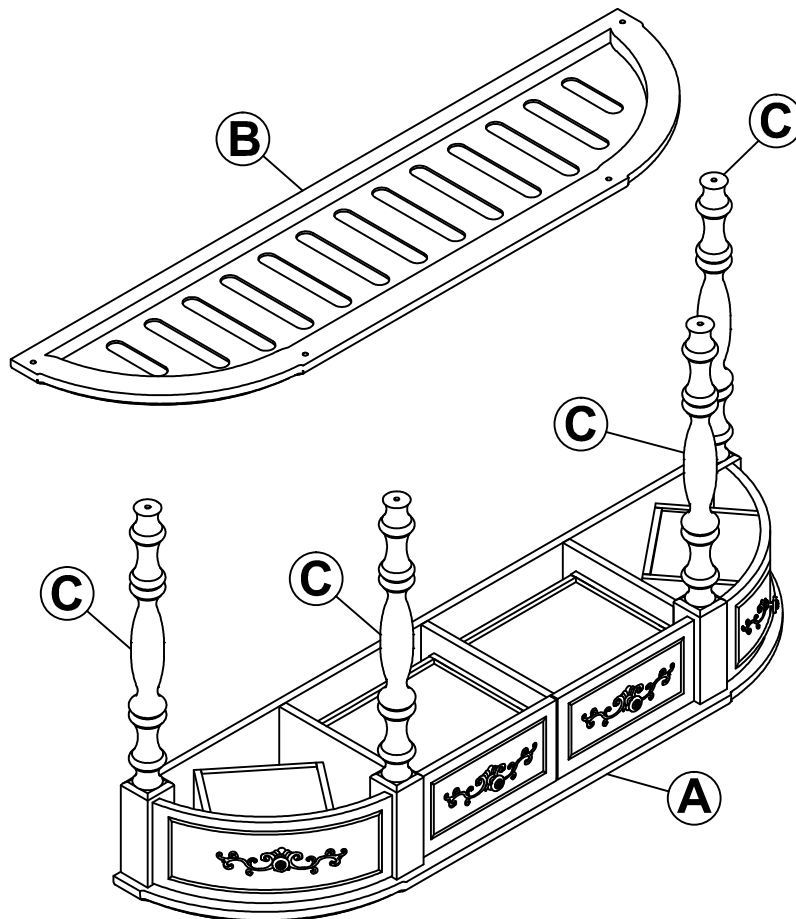
Anti-Tip Hardware

No	Part Desc.	Q'ty	No	Description	Q'ty
A	Top Panel 	1pc	1	Patch L 	2 pcs
			2	Anchor 	1pc
B	Shelf 	1pc	3	Plastic Strap 	1pc
			4	Short Screw 4x15mm 	1pc
C	Middle Legs 	4 pcs	5	Long Screw 4x50mm 	1pc
D	Bottom Legs 	4 pcs			

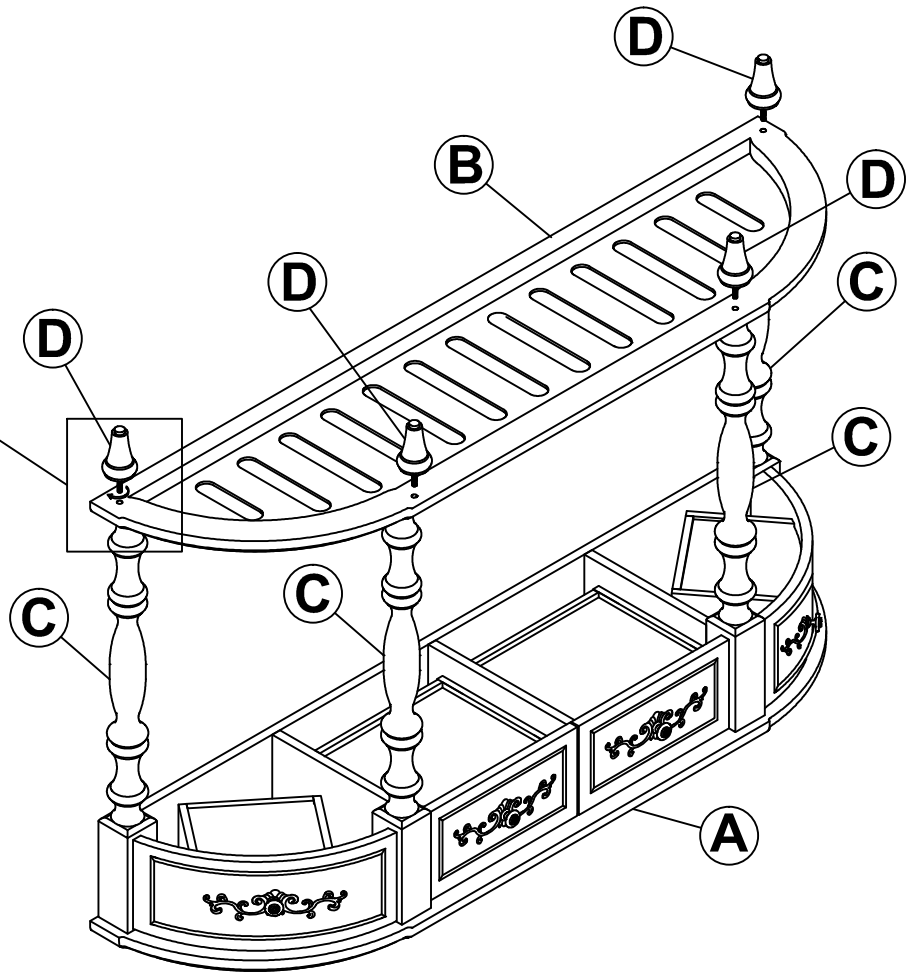
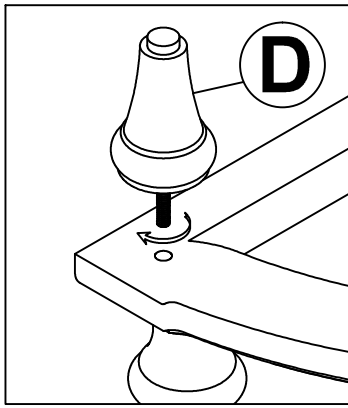
STEP 1



STEP 2

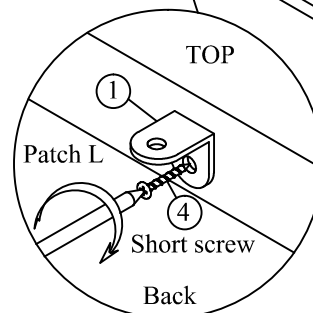
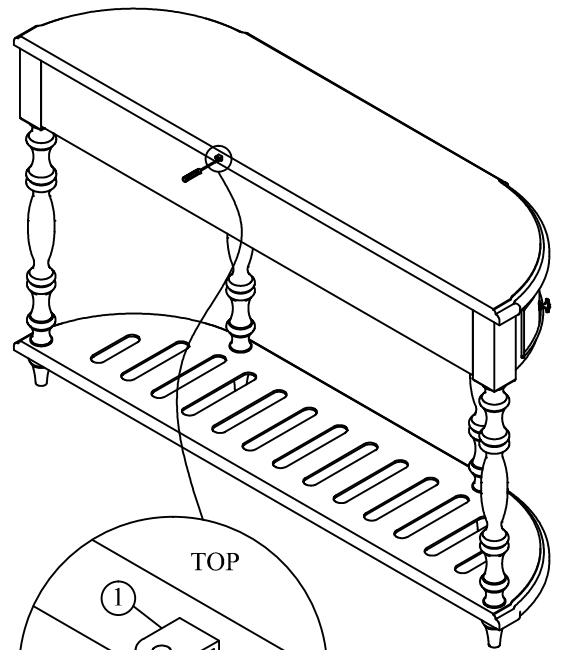
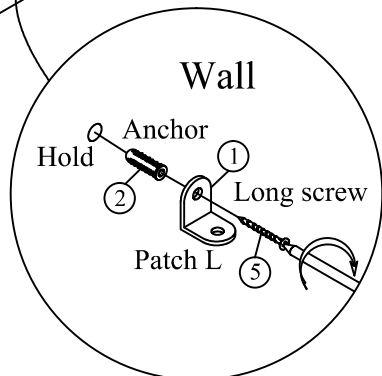
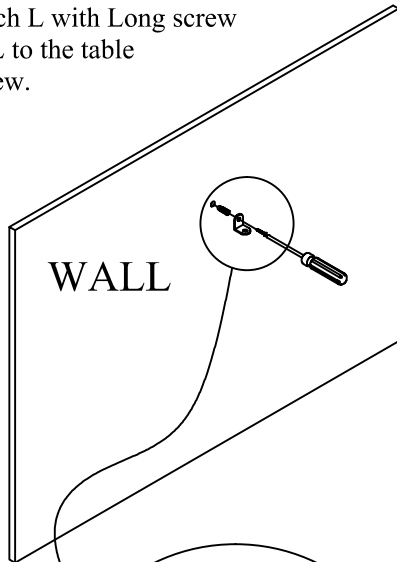


STEP 3

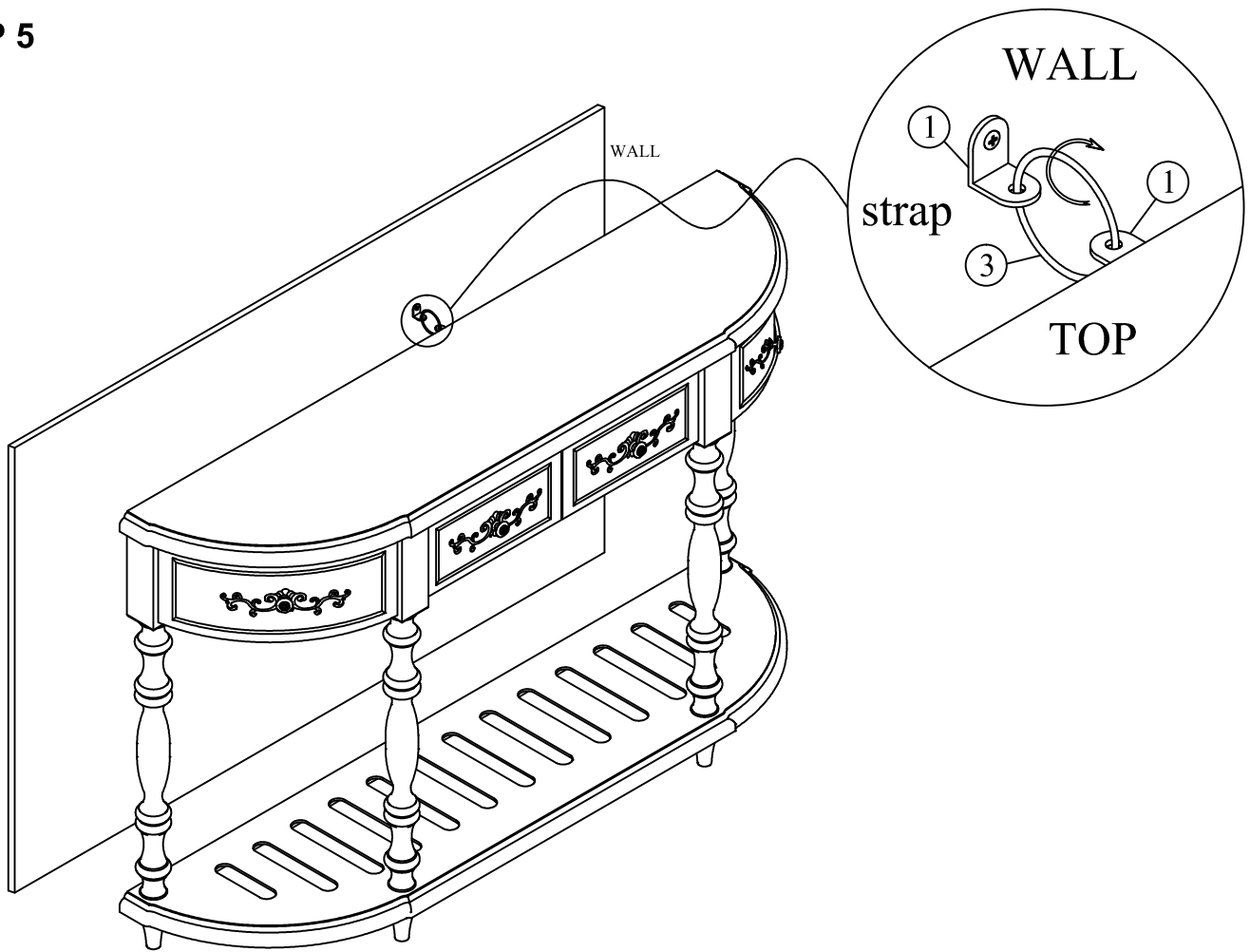


- Select the location to place the table
- Drill a hole in the dry wall to fit Anchor
- Then included the Patch L with Long screw
- Assembly the Patch L to the table and affix by short Screw.

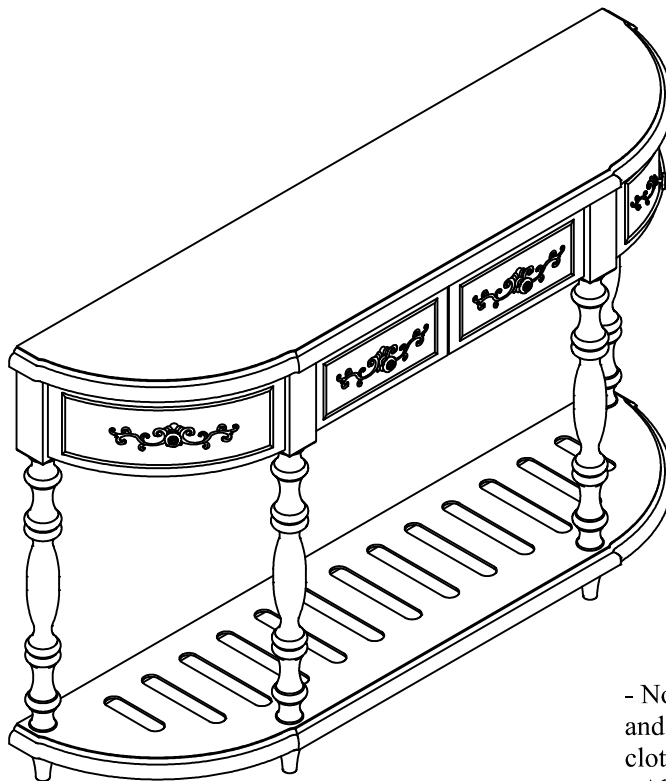
STEP 4



STEP 5



COMPLETED



- Note: This is not a clothing storage cabinet and it is not recommended to use it as a clothing storage cabinet.
- All cabinets come with TRD, stainless steel or our "L-Bracket "when shipped.