

Assembly Instructions

Caution: You must read this before you proceed

Care & Maintenance



- Not for commercial use. For residential use only.



- Do not put hot items directly on furniture surface.



- Do not clean furniture with harsh cleansers or polish.



- To obtain the longest lifespan of your outdoor product minimizing exposure to direct sunlight is recommended.



- Children should not climb or jump on the furniture.



- Do not write on furniture without a padded barrier to protect the surface.



- To obtain the longest lifespan of your outdoor products, avoid extended and lengthy exposure to rain, snow, and direct sunshine.
Whenever possible cover the product and /or place under patio or awnings.



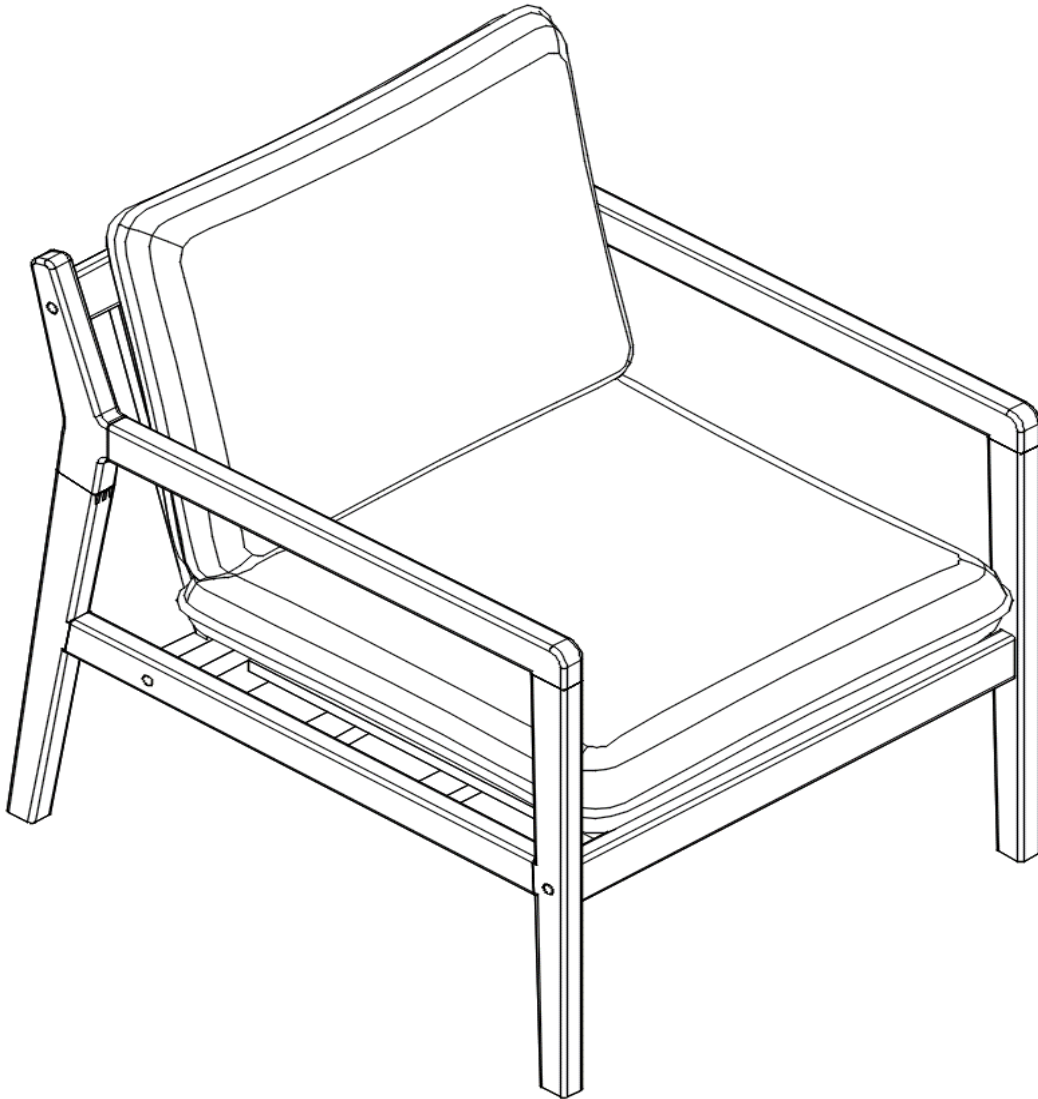
- Stains may be removed with mild soap solution and damp cloth.




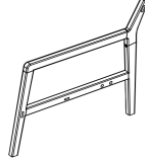

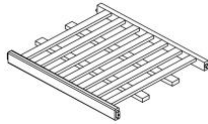
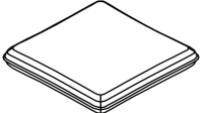

- Dust and pick-up spills using a clean, non-colored, lint- free cloth.

Please look in the Seat Panel for hardware packs.



CLUB CHAIR



Part List:

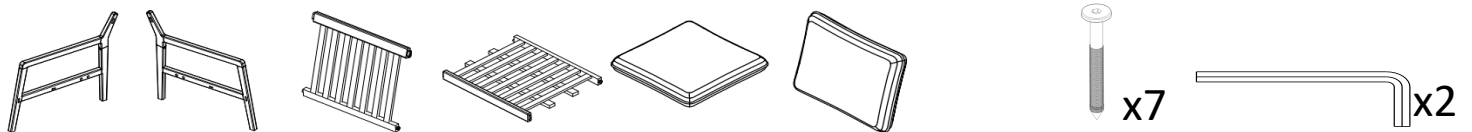
Label	Picture	Description	Qty
A		Backrest Panel	1
B		Left Arm Panel	1
C		Right Arm Panel	1
D		Seat Panel	1
E		Seat Cushion	1
F		Back Cushion	1






Hardware

No.	Picture	Description	Qty
①		Screw (M7 x 70mm)	7
②		Allen Wrench	2

Assembly Preparation

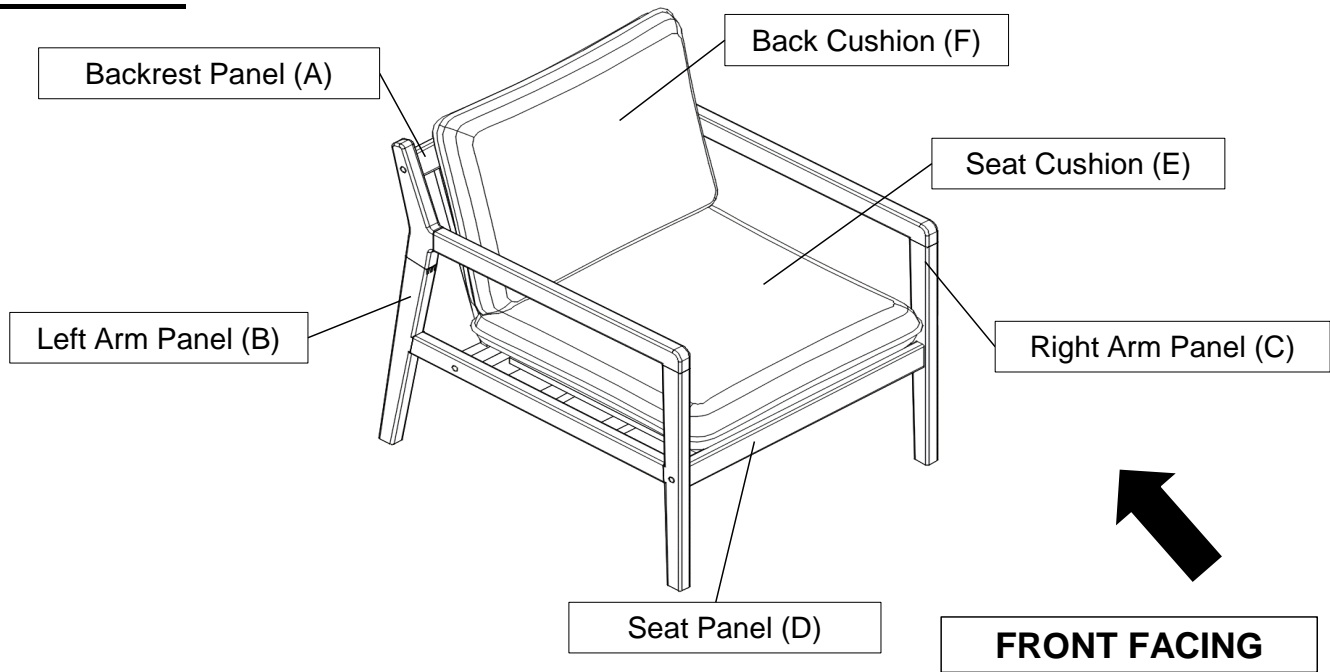
Before Beginning Assembly:



-  • Read instructions, cover to cover-
-  • Have 2 adults on hand for assembly-
-  • Do not assemble on flooring or carpet-
-  • Assemble on a clean non-marring surface (packing foam)-
-  • Save all packaging until finished-

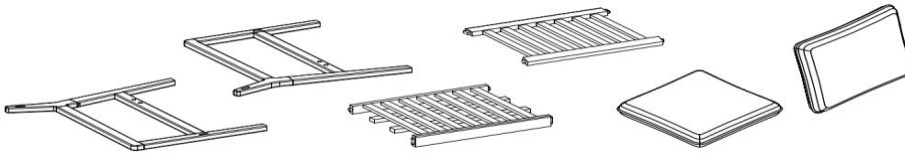
Assembly Steps

Overview:



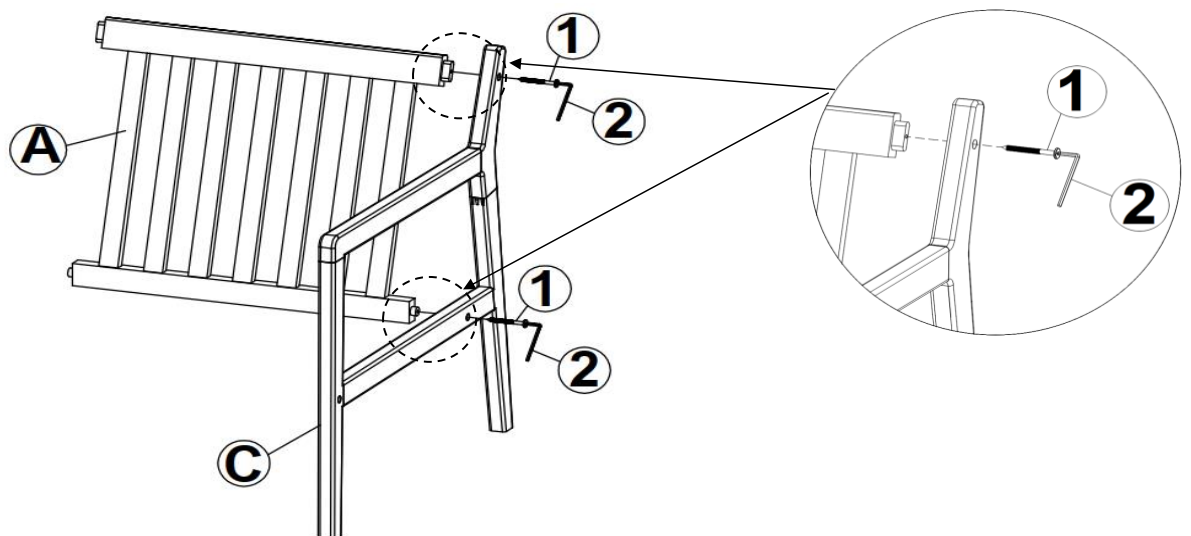
This Club Chair has multiple parts and may require up to 30 minutes to assemble. To give you an overview of the Club Chair parts, the above picture is to help you put the various parts into perspective. Please read through the instructions herebelow to familiarise the parts and steps before assembly.

Step 1:



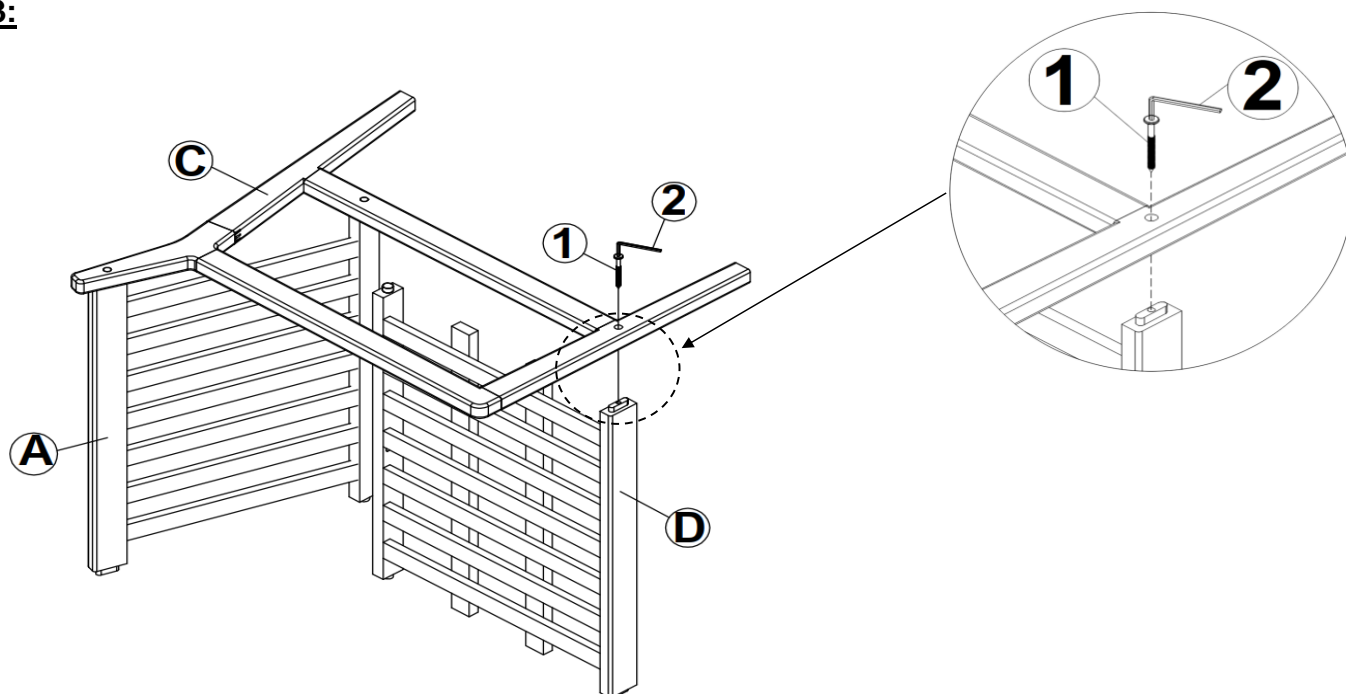
Unpack and place all parts on a clean, non-marring surface.

Step 2:



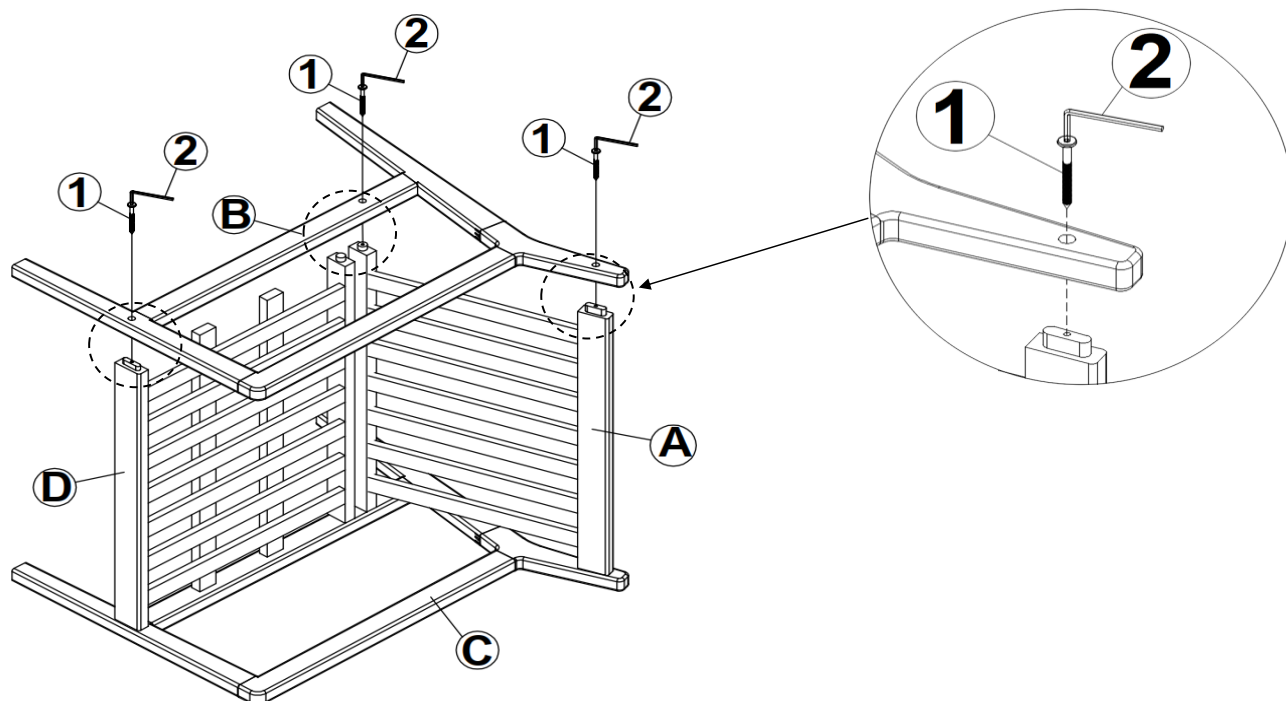
With the help of your adult partner, place the Right Arm Panel (C) stand up as shown in picture onto a clean, soft surface to avoid any scratches or damages to the product. Then align the tenon of Backrest Panel (A) into the mortise of the Right Arm Panel (C) and affix Backrest Panel (A) with Right Arm Panel (C) by using Screws (①) and Allen Wrench (②) as shown above. **Do not fully tighten the Screws.**

Step 3:



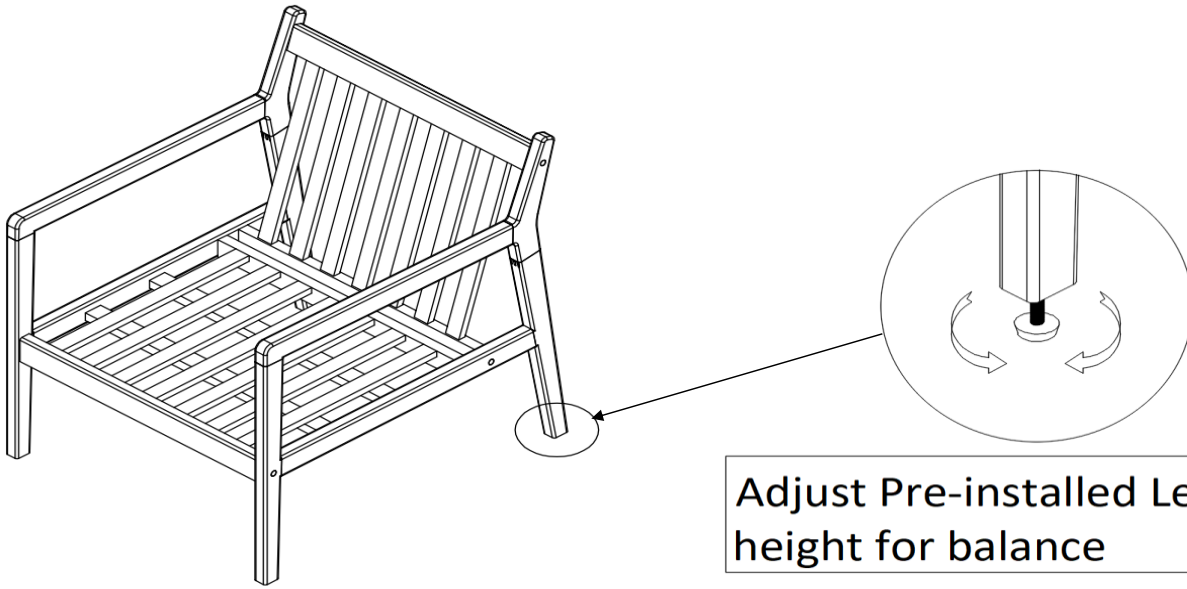
With the help of your adult partner, attach the Seat Panel (D) to the assembled part in Step 2 then affix the Right Arm Panel (C) to the Seat Panel (D) by using Screws (①) and Allen Wrench (②) as shown above. **Do not fully tighten the Screws.**

Step 4:



With the help of your adult partner, turn the assembled part in Step 3 to the opposite side and then attach the Left Arm Panel (B) to the Backrest Panel (A) and Seat Panel (D) by using Screws (①) and Allen Wrench (②) as shown above. **Do not fully tighten the Screws.**

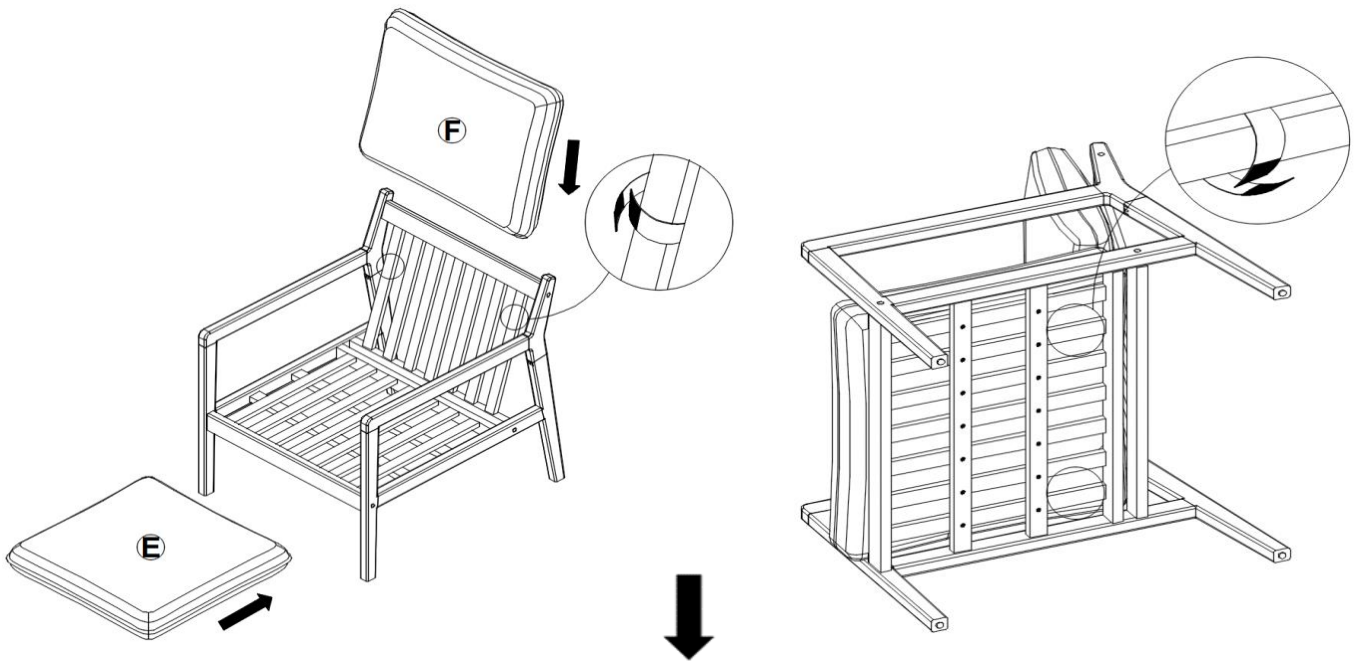
Step 5:

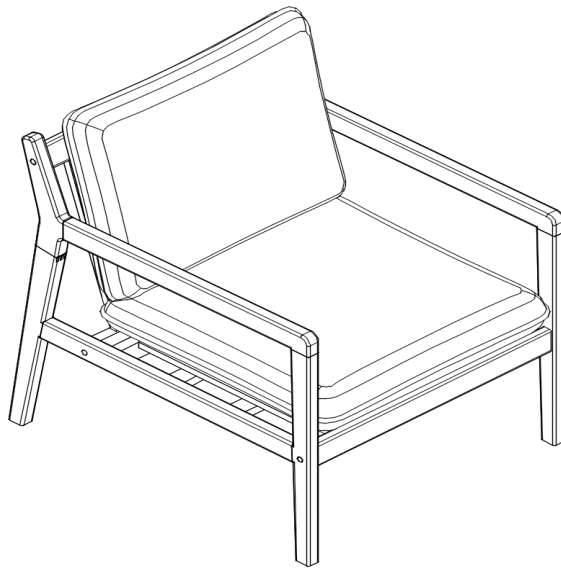


Adjust Pre-installed Levellers height for balance

Inspect it and make sure all parts are adequately connected.
Turn the Club Chair right side up.
Gently and gracefully, sit onto the Club Chair.
This will help to align all the parts at all joint areas.
Then get off the Club Chair and in a sequential manner, gradually tighten all Screws at all joints until evenly connected.
If there are still wobbles, loosen the Screws and execute this same process.
Adjust Pre-installed Leveler height for balance as shown above.

Step 6:





Place the Seat Cushion (E) by affix the Magic Tape Straps on the Seat Panel (D) and then place the Back Cushion (F) onto the Seat Cushion (E) and affix the Magic Tape Straps on the Backrest Panel (A) as shown above.

**WARNING!! IF CLUB CHAIR IS NOT STABLE, IT COULD LEAD TO DAMAGING THE PRODUCT.
Your Club Chair is ready for use.**

This Club Chair can only be used on a flat, level surface.

Questions & Answers about Proposition 65

• What is Proposition 65?

Proposition 65 requires businesses to provide warnings to Californians about significant exposures to chemicals that cause cancer, birth defects or other reproductive harm. These chemicals can be in the products that Californians purchase, in their homes or workplaces, or that are released into the environment. By requiring that this information be provided, Proposition 65 enables Californians to make informed decisions about their exposures to these chemicals.

Proposition 65 also prohibits California businesses from knowingly discharging significant amounts of listed chemicals into sources of drinking water.

Proposition 65 requires California to publish a list of chemicals known to cause cancer, birth defects or other reproductive harm. This list, which must be updated at least once a year, has grown to include approximately 900 chemicals since it was first published in 1987.

• What types of chemicals are on the Proposition 65 list?

The list contains a wide range of naturally occurring and synthetic chemicals that include additives or ingredients in pesticides, common household products, food, drugs, dyes, or solvents. Listed chemicals may also be used in manufacturing and construction, or they may be byproducts of chemical processes, such as motor vehicle exhaust.

• What does a warning mean?

If a warning is placed on a product label or posted or distributed at a workplace, a business, or in rental housing, the business issuing the warning is aware or believes that it is exposing individuals to one or more listed chemicals.

By law, a warning must be given for listed chemicals unless the exposure is low enough to pose no significant risk of cancer or is significantly below levels observed to cause birth defects or other reproductive harm.

• Where can I get more information on Proposition 65?

If you have specific questions on the administration or implementation of Proposition 65, you can contact OEHHA's Proposition 65 program at P65.Questions@oehha.ca.gov, or by phone at (916) 445-6900.