



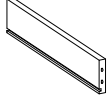
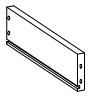
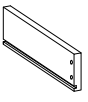
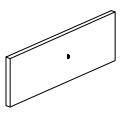
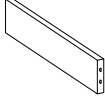

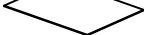
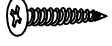
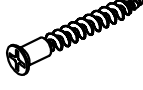
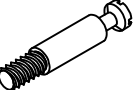

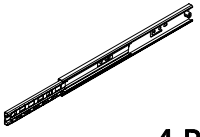


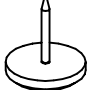

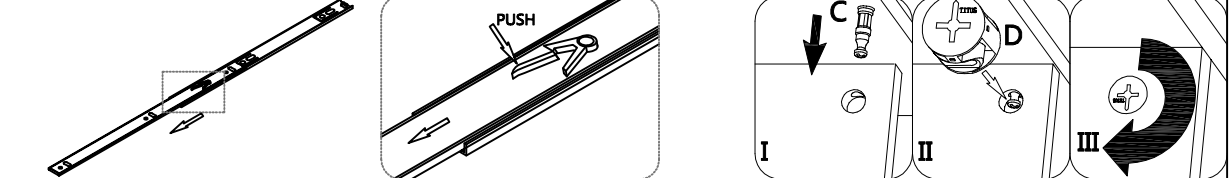
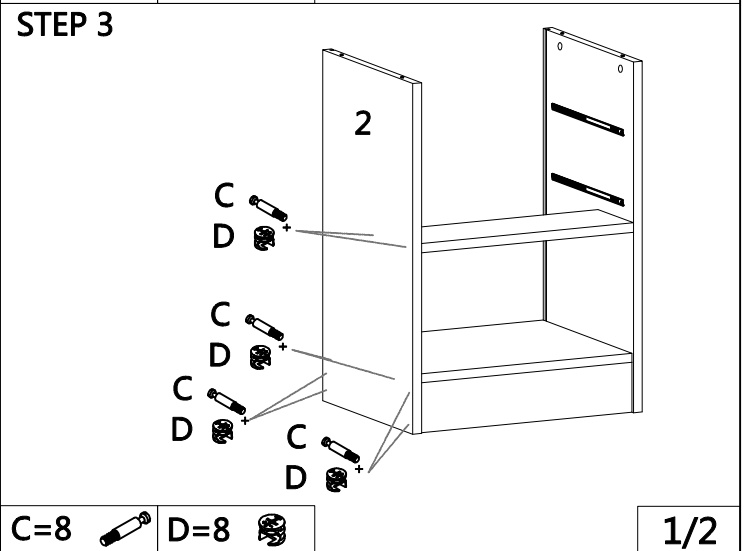
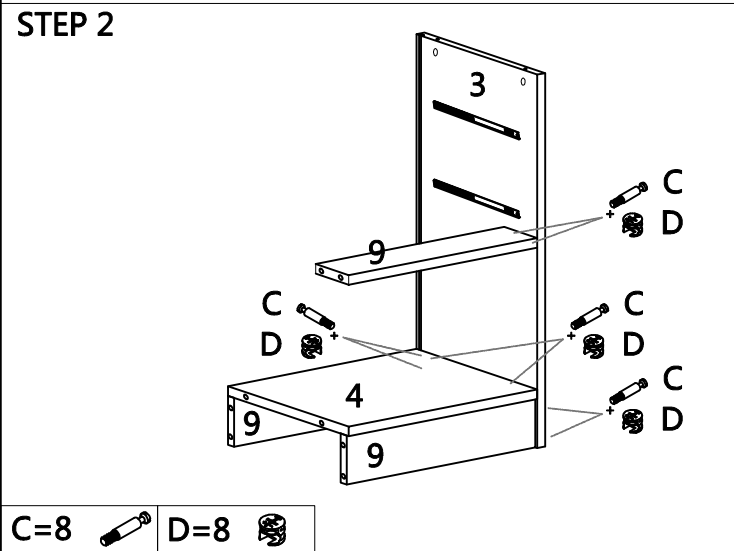
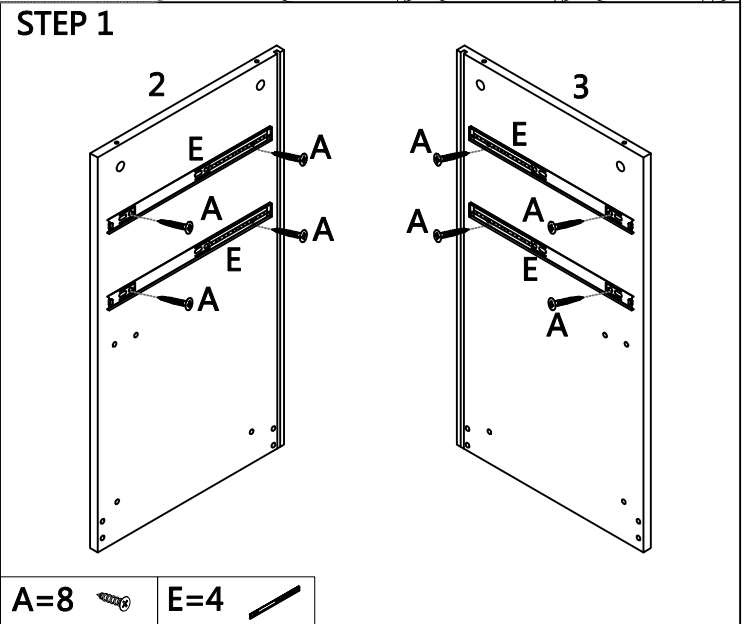
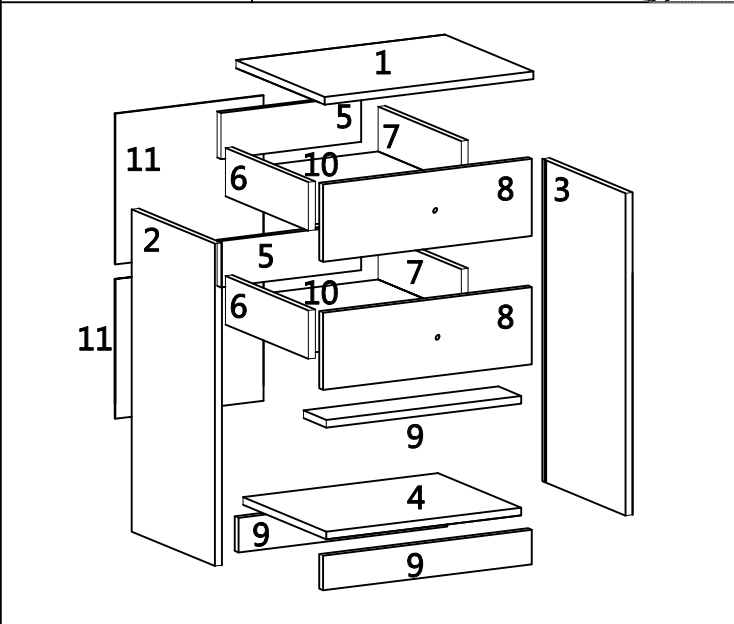


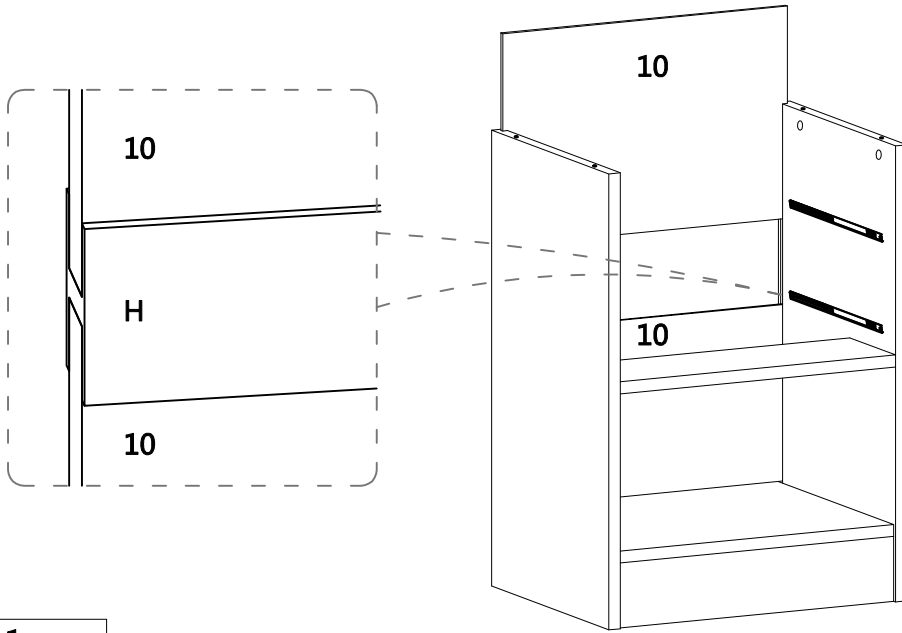
ASSEMBLY INSTRUCTION


ITEM:

1  400*320 1 Pc	2  585*298 1 Pc	3  585*298 1 Pc	4  360*298 1 Pc			
5  317*90 2 Pcs	6  238*90 2 Pcs	7  238*90 2 Pcs	8  356*115 2 Pcs	9  360*77 3 Pcs	10  327*233 2 Pcs	11  371*252 2 Pcs
A  M4*12 16 Pcs	B  M5*40 8 Pcs	C  28 Pcs	D  28 Pcs	E  4 Pcs	F  +  M4*18 2 Pcs	G  4 Pcs
H  1 Pc						

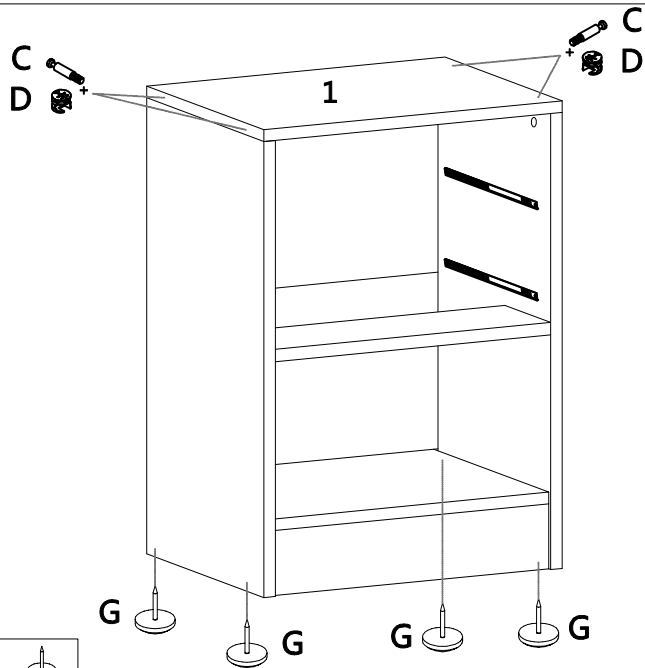





STEP 4



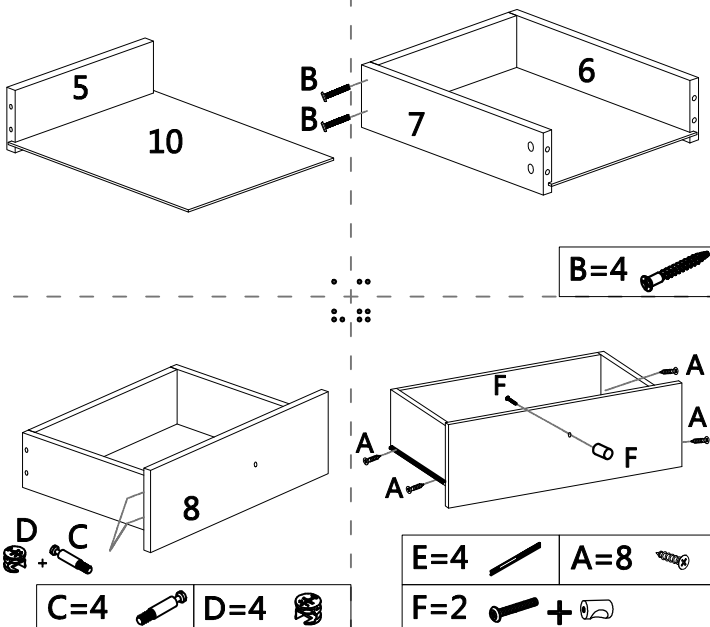
H=1 

STEP 5

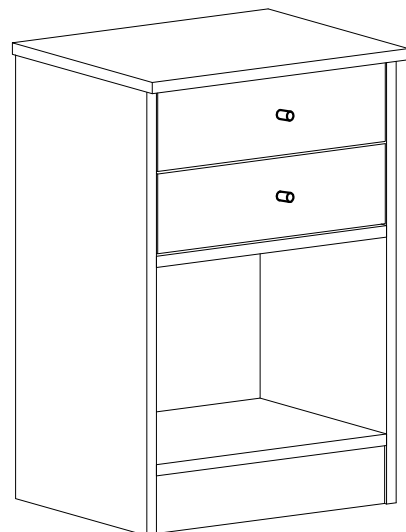





C=4  D=4  G=4 

STEP 6



STEP 7



E=4  A=8 
F=2  + 