

# **INSTALLATION**

## *Product Manual*

Version: 650015US-01-26A-OL



### **IMPORTANT INFORMATION!**

please read the entire manual before starting to assemble and/or using this product. follow the manual thoroughly and keep it for further reference.



### **AVOID SCRATCHES!**

In order to avoid scratching this furniture should be assembled on a soft layer- could be a rug.



### **IMPROVE EFFICIENCY !**

Try to find a partner to install with you, which can speed up the installation efficiency and shorten the time.



### **ANTI-TOPPLE WARNING !**

Overturnd furniture can cause serious or fatal crush injuries. To prevent tipping over, be sure to use the wall attachment, if not included with this product. Please purchase the wall attachment that fit your wall. If unsure, seek professional advice. Please read and follow each step of the instructions carefully.

### **IMPORTANT !**

It is important that any product which is assembled using any kind of screw is re-tightened 2 weeks after assembly, and once every 3 months - in order to assure stability through-out the lifespan of the product.

For regular maintenance and cleaning of the product, for the frame, please use a rag dipped in neutral detergent to fully wipe it, and then dry it with a clean rag. For glass materials, wipe with a rag dampened with water glass cleaner, and then dry with a dry rag.

Do not use an electric screwdriver, and do not use too much force when installing, because the board is easy to break.

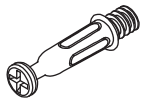


Please prepare the following tools



When installing, please carefully confirm whether each screw corresponds to the manual, accessories with similar shapes can be distinguished by size

A x 52



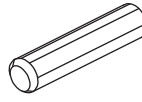
Ø 6 x 40 mm

B x 52



Ø 12 x 12 mm

C x 20



Ø 8 x 30 mm

D x 12



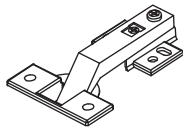
Ø 4 x 30 mm

E x 52

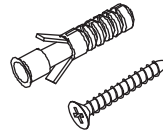


Ø 3.9 x 16 mm

F x 6

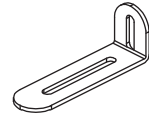


G x 2



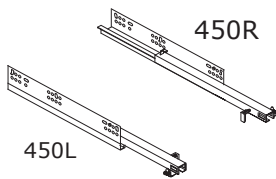
Ø 3.9 x 40 mm

H x 2



65 x 15 mm

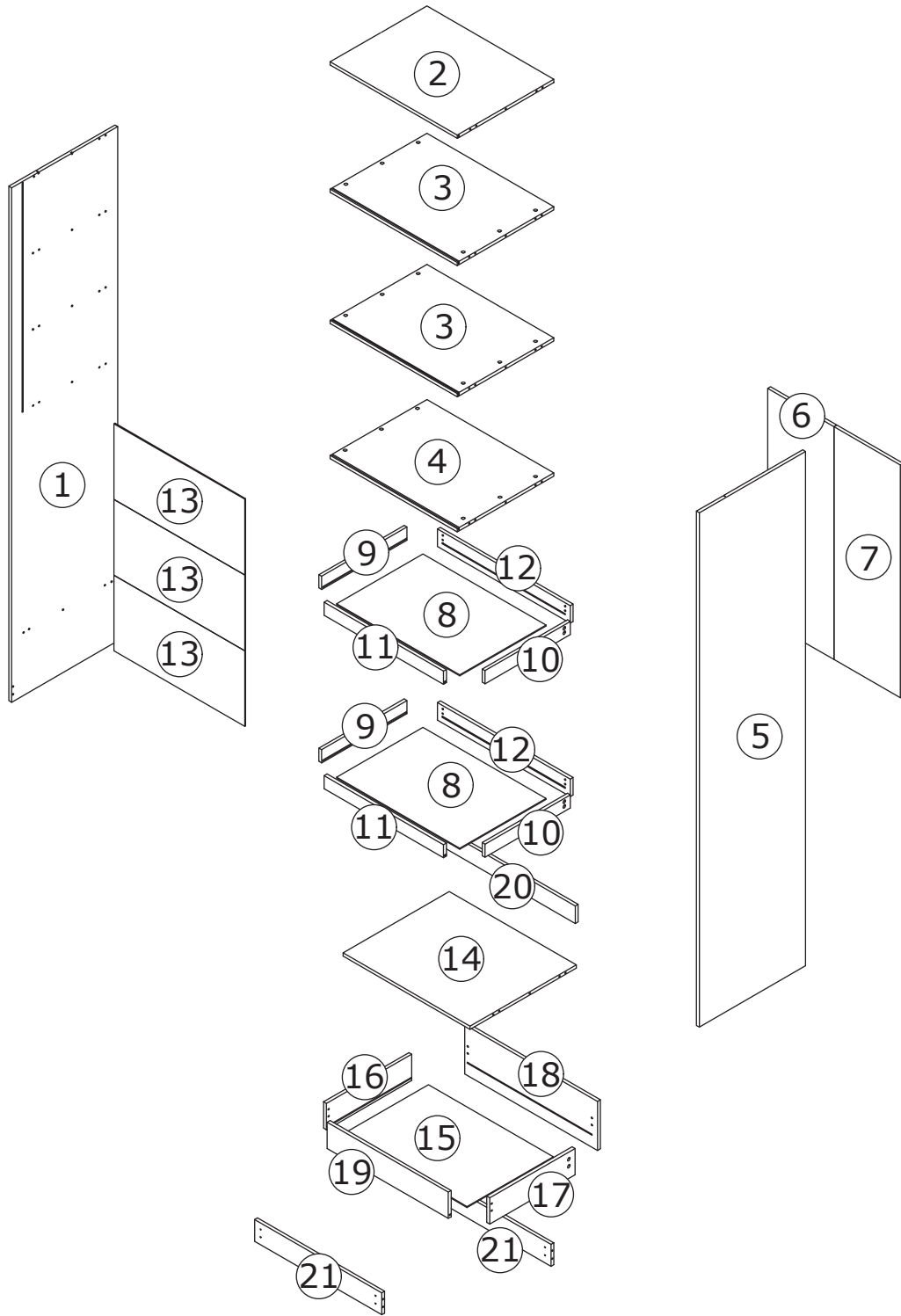
J x 3



450L

450R

L=18 inch



## ⚠ WARNING



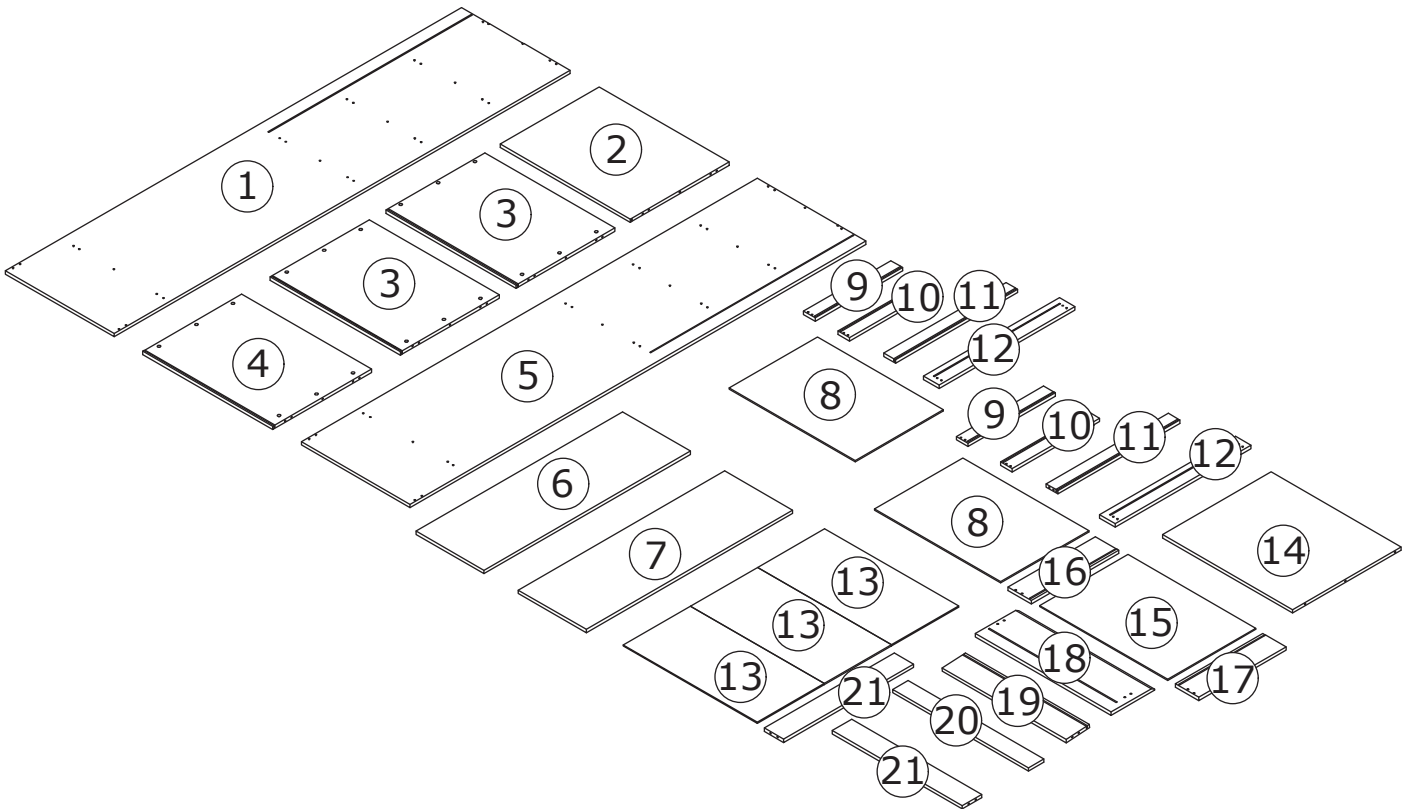
**Children have died from furniture tipover. To reduce the risk of furniture tipover:**

- ALWAYS install Anti-tip device provided.
- NEVER put a TV on this product.
- NEVER allow children to stand, climb or hang on drawers, doors, or shelves.
- NEVER open more than one drawer at a time.
- Place heaviest items in the lowest drawers.

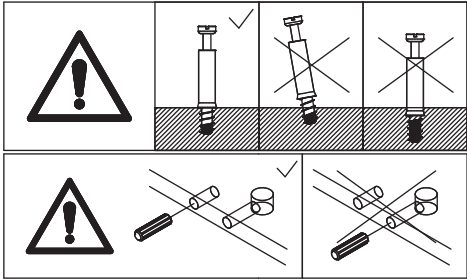
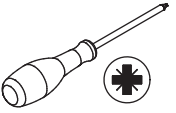
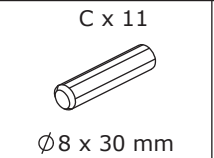
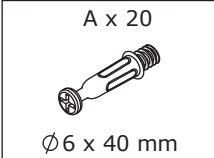


*This is a permanent label.  
Do not remove!*

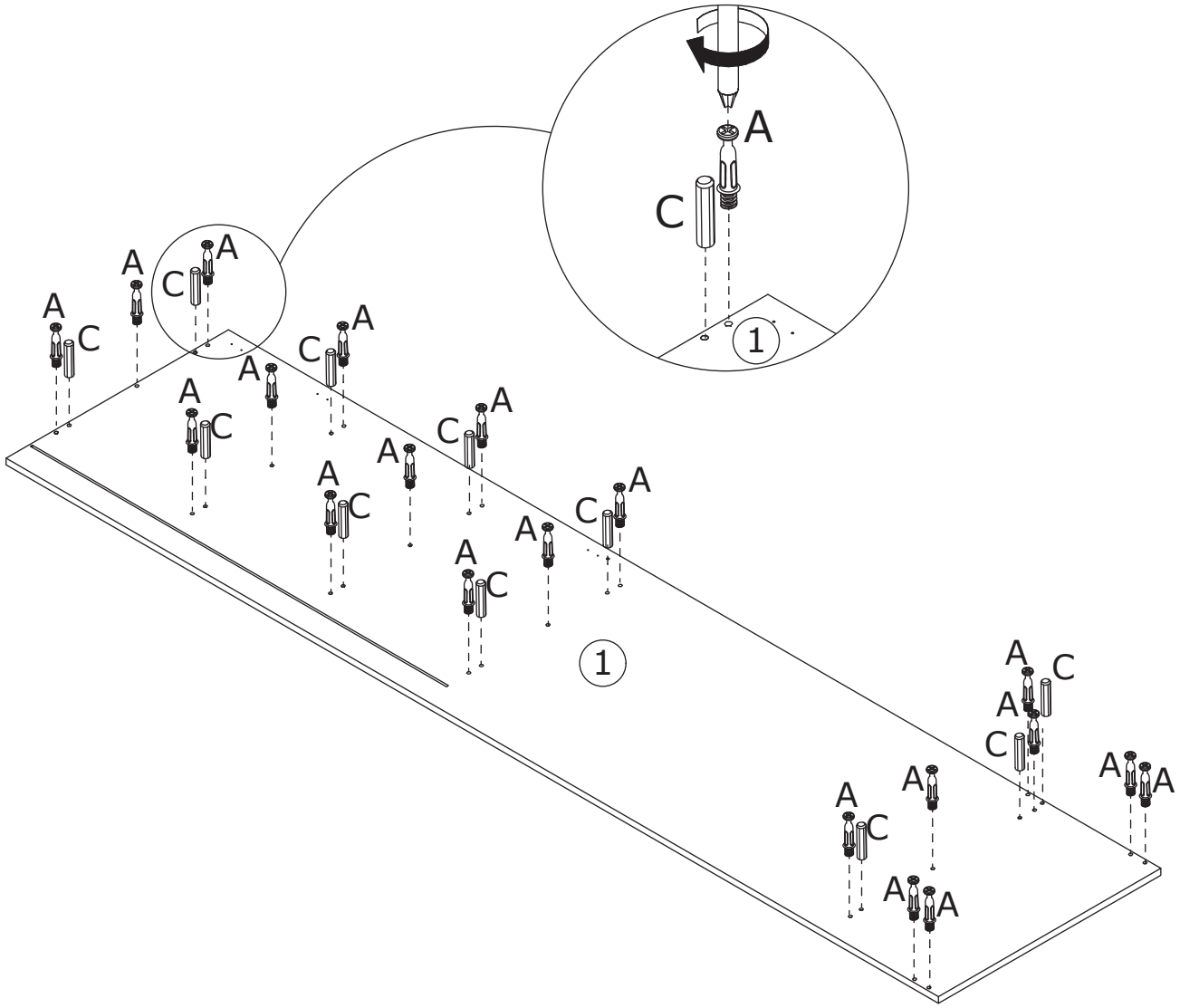





1



As shown in the diagram, screw the self-tapping stud (A) into panel 1, and insert the dowel (C) into panel 1.

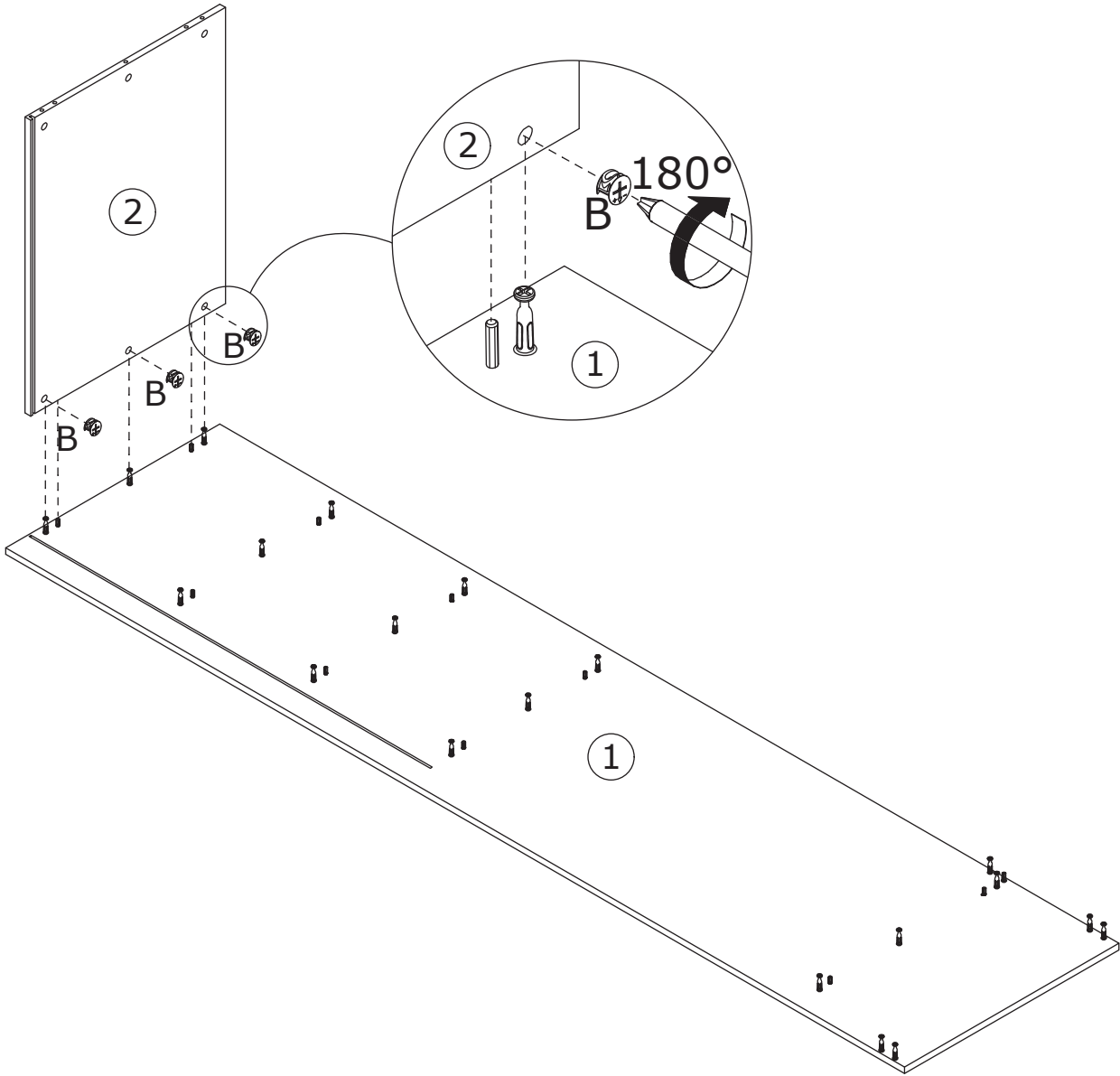
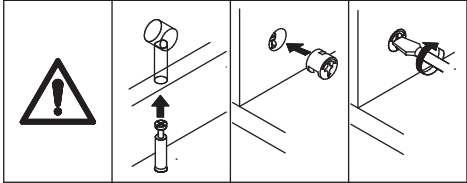


2


B x 3  
  
Ø 12 x 12 mm



As shown in the diagram, connect panel 2 to panel 1, insert the cam lock (B), and tighten by rotating clockwise.

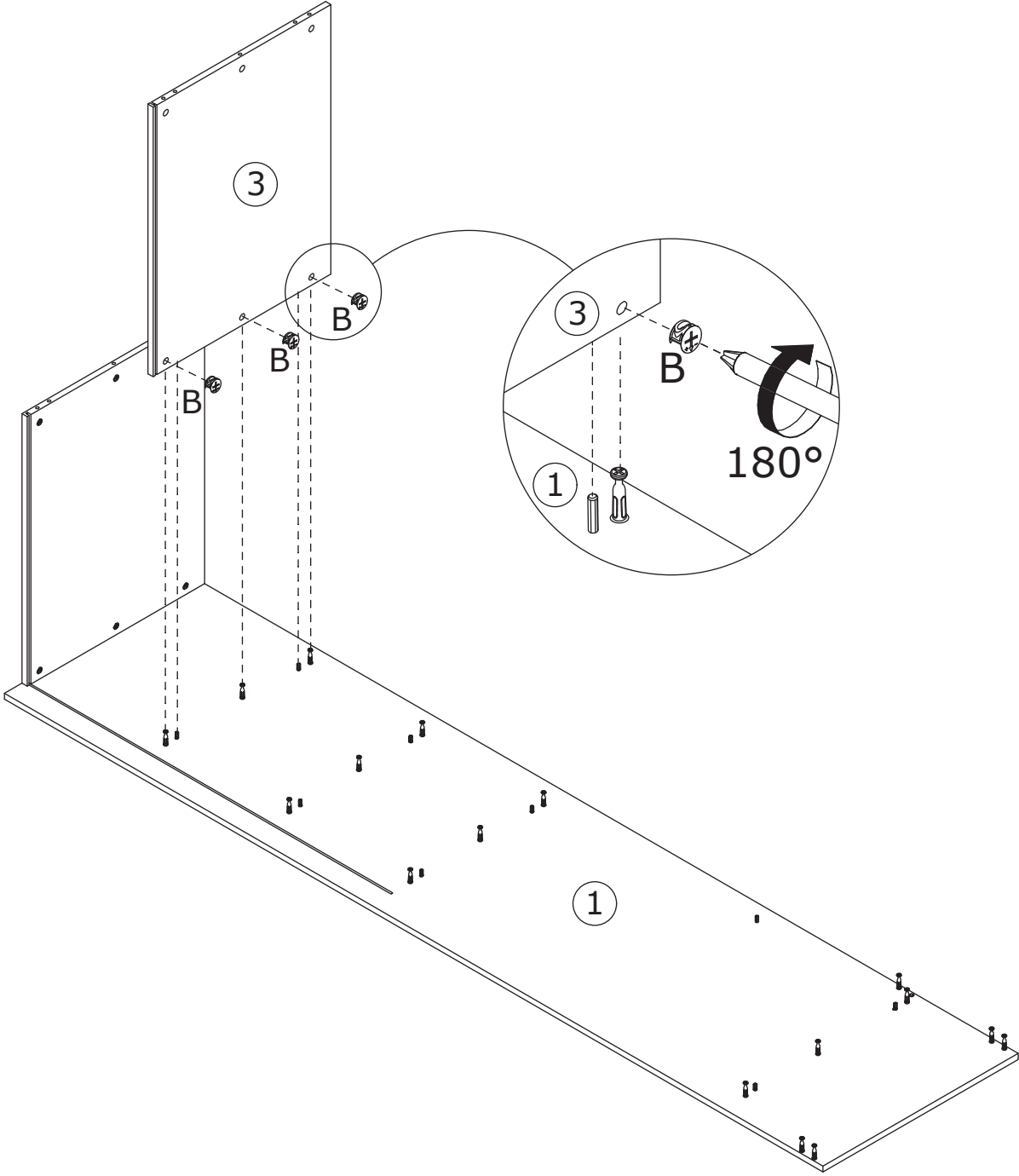
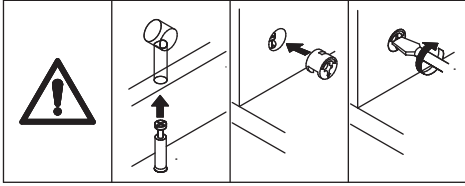


3


B x 3  
  
Ø 12 x 12 mm



As shown in the diagram, connect panel 3 to panel 1, insert the cam lock (B), and tighten by rotating clockwise.

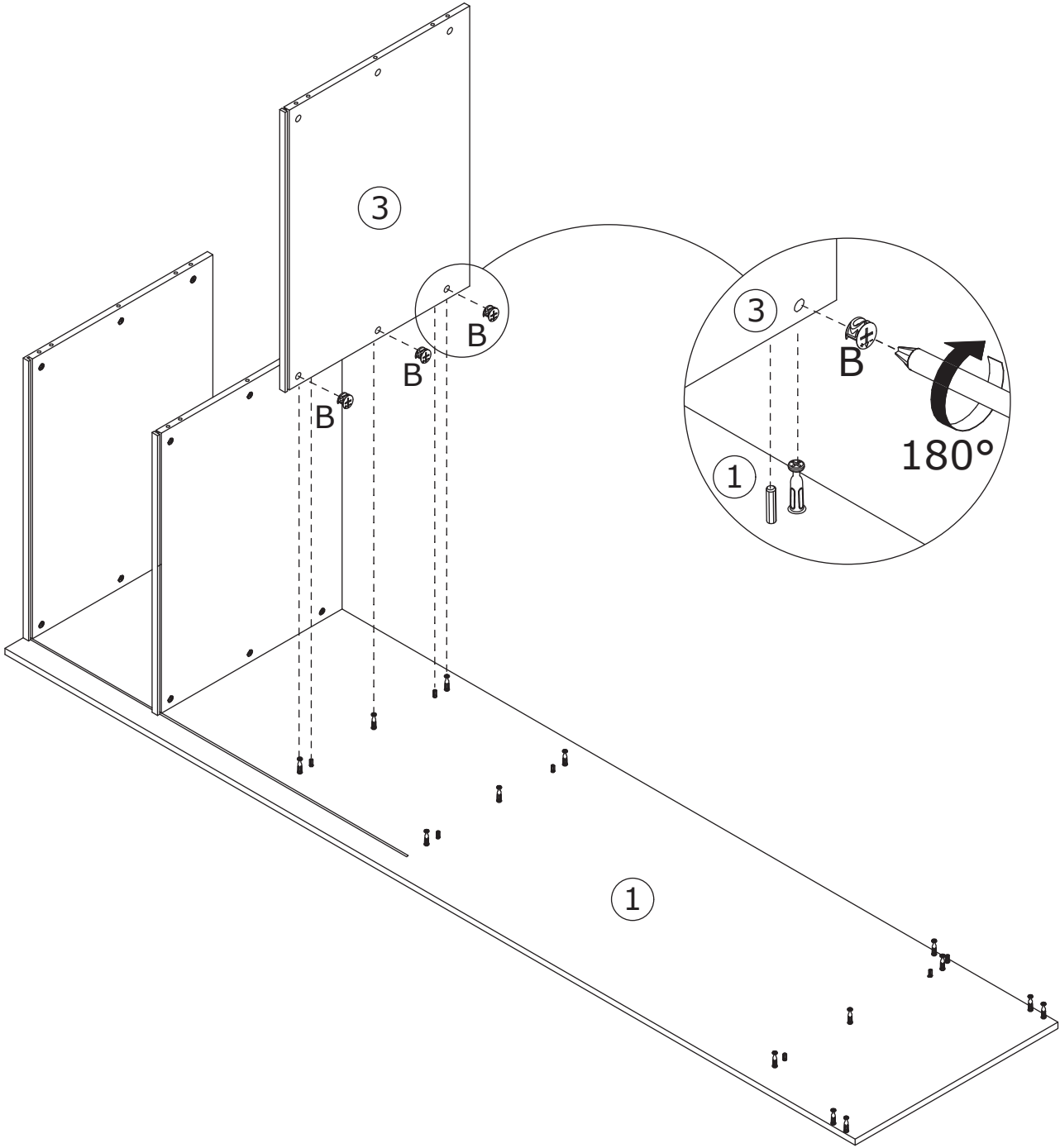
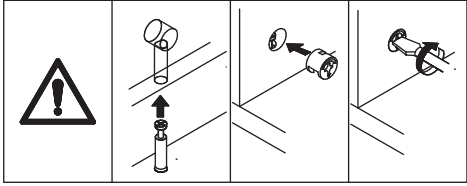


4


B x 3  
  
Ø 12 x 12 mm

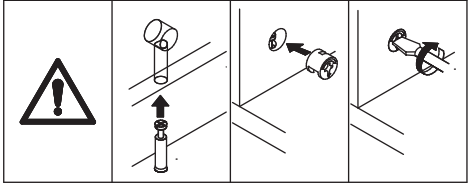


As shown in the diagram, connect panel 3 to panel 1, insert the cam lock (B), and tighten by rotating clockwise.

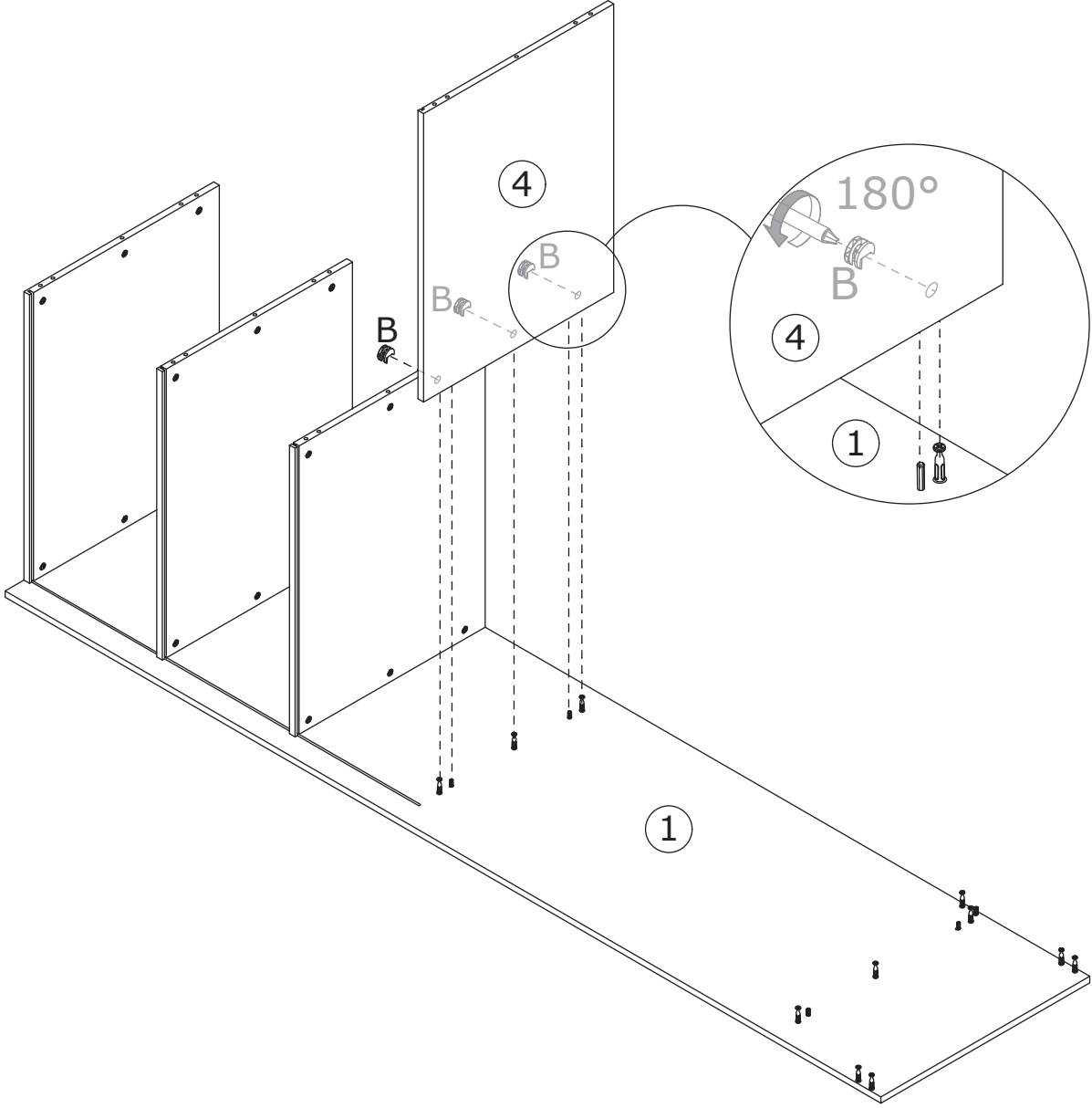


5


B x 3  
  
Ø 12 x 12 mm

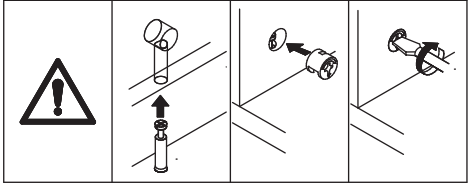


As shown in the diagram, connect panel 4 to panel 1, insert the cam lock (B), and tighten by rotating clockwise.

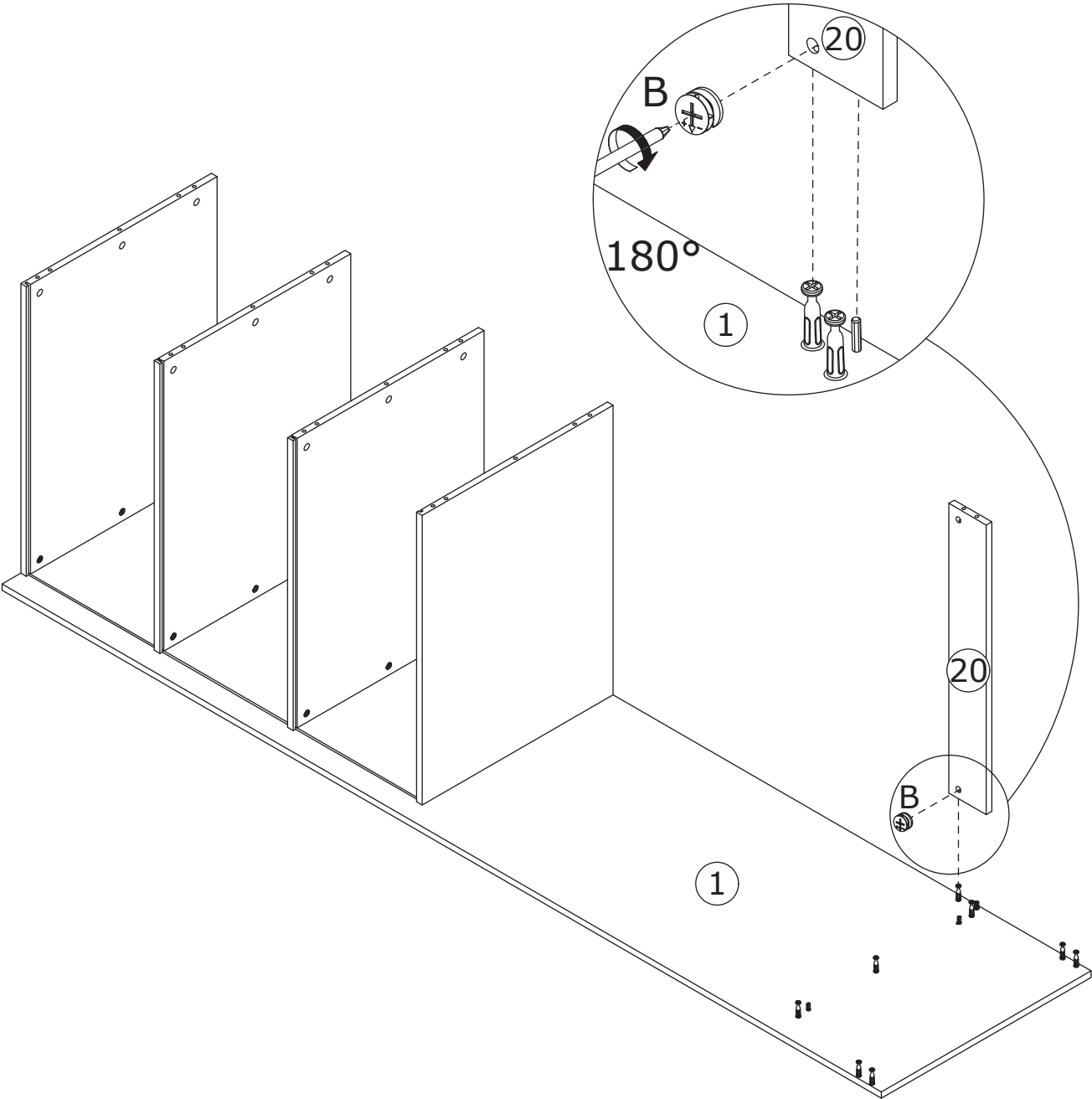


6


B x 1  
  
Ø 12 x 12 mm

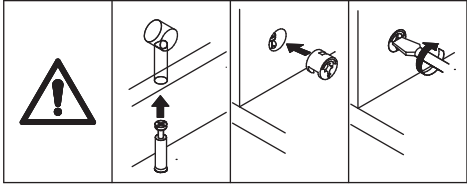


As shown in the diagram, connect panel 20 to panel 1, insert the cam lock (B), and tighten by rotating clockwise.

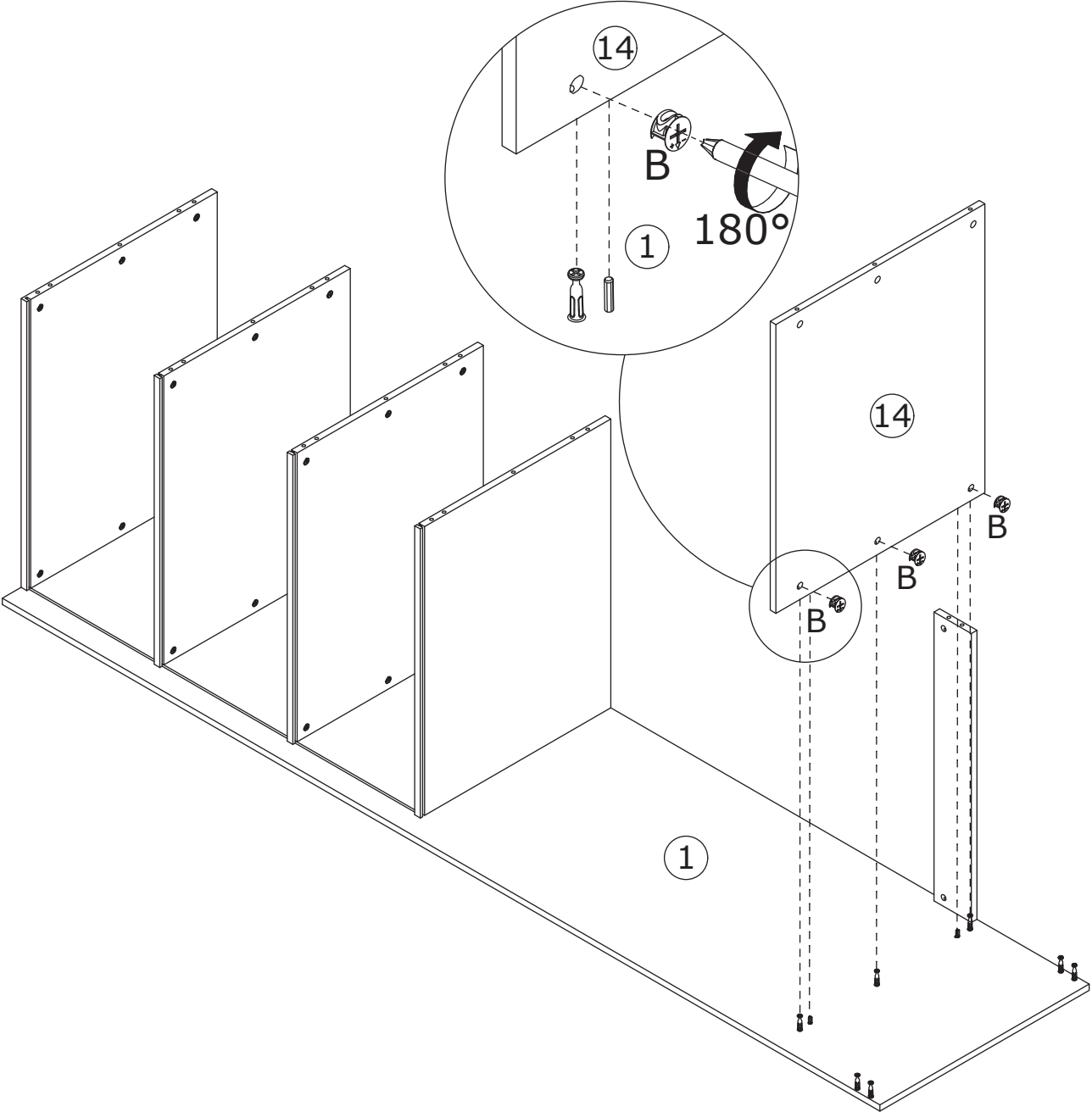


7


B x 3  
  
Ø 12 x 12 mm



As shown in the diagram, connect panel 14 to panel 1, insert the cam lock (B), and tighten by rotating clockwise.

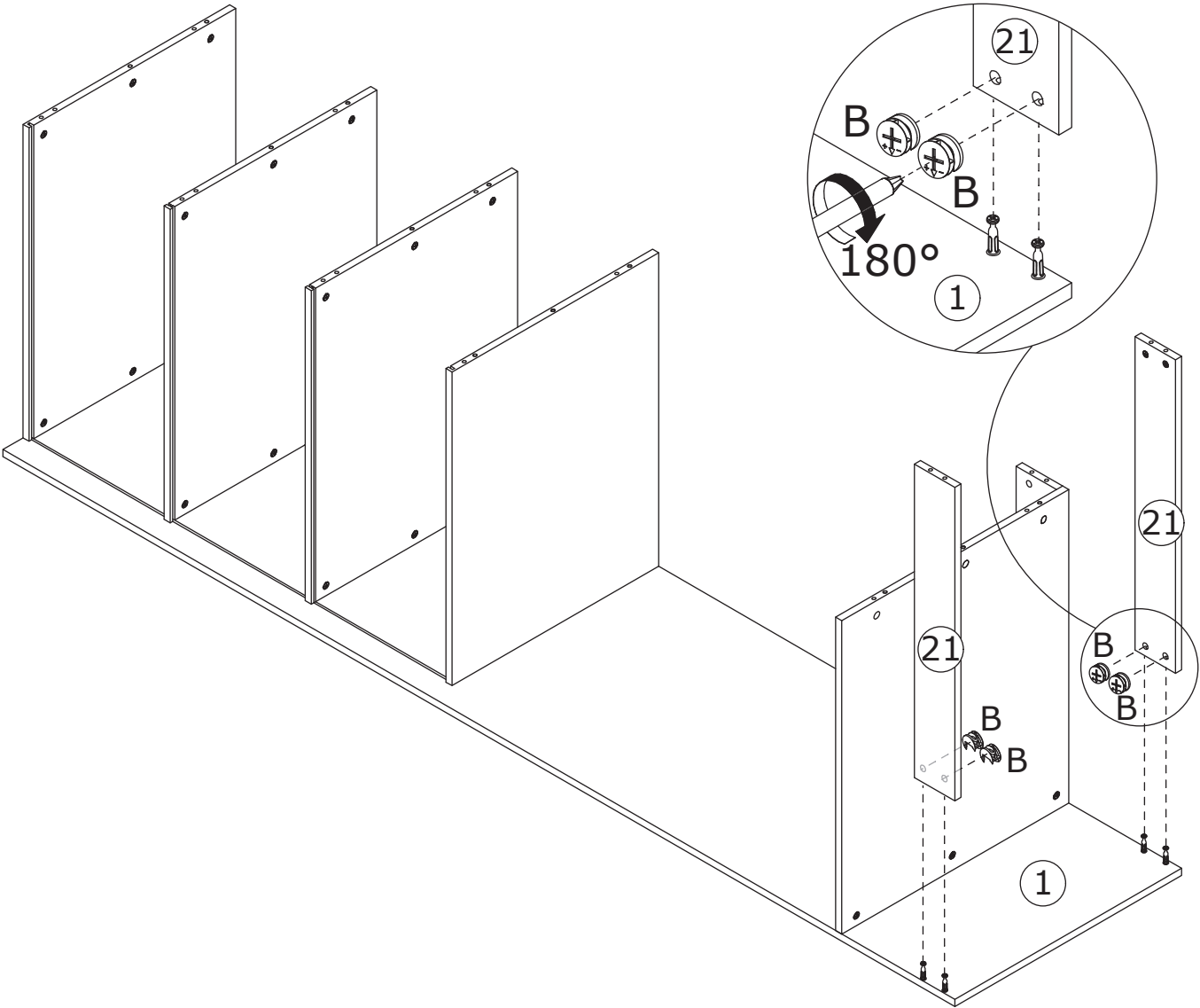
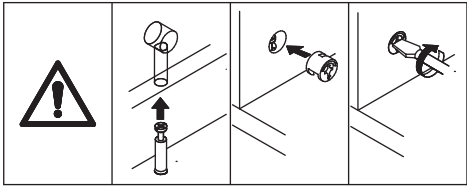


8

B x 4  
  
Ø 12 x 12 mm



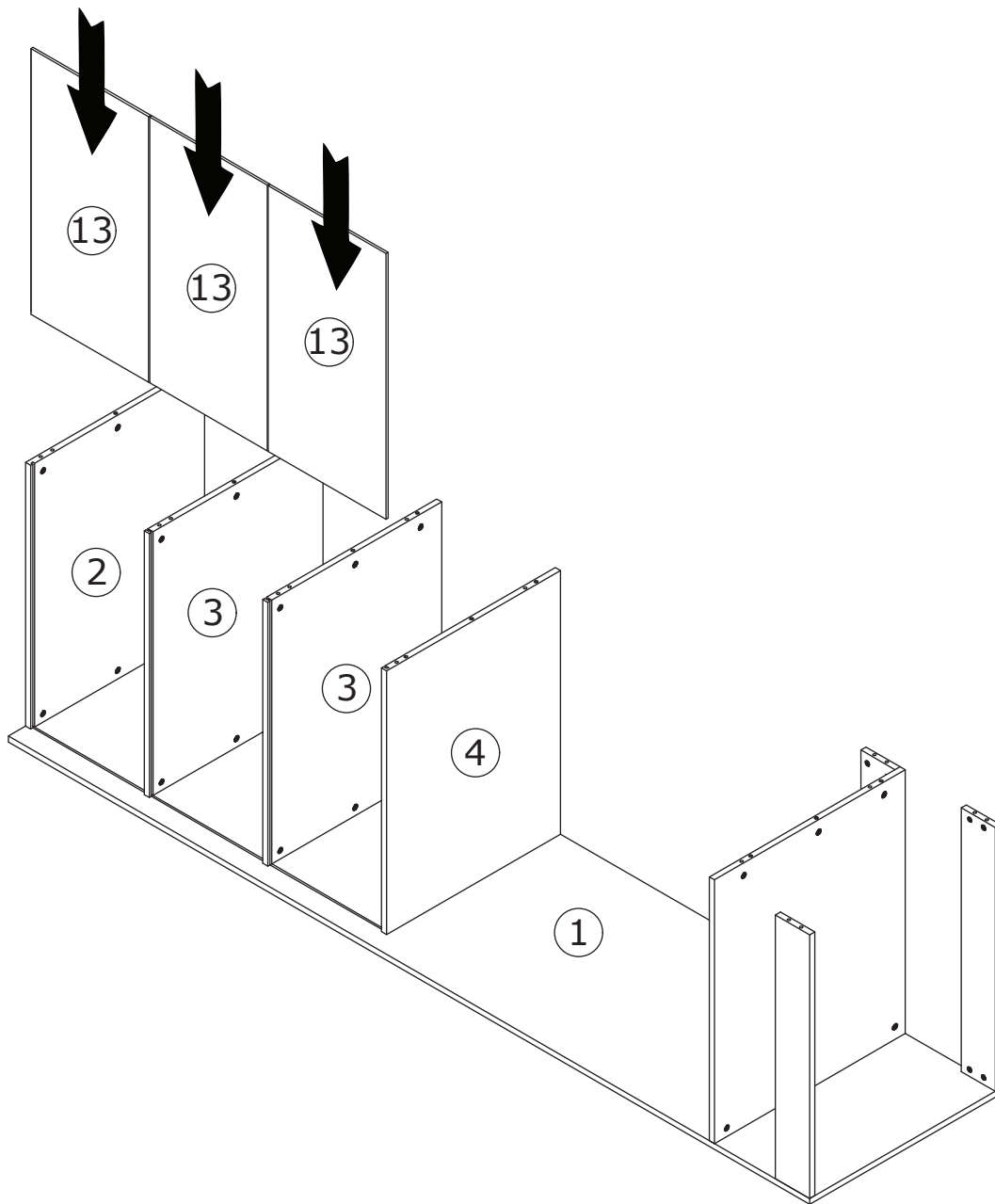
As shown in the diagram, connect panel 21 to panel 1, insert the cam lock (B), and tighten by rotating clockwise.



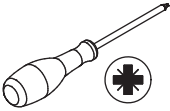
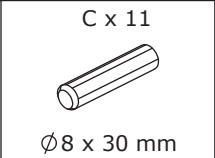
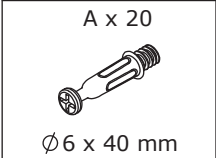
9



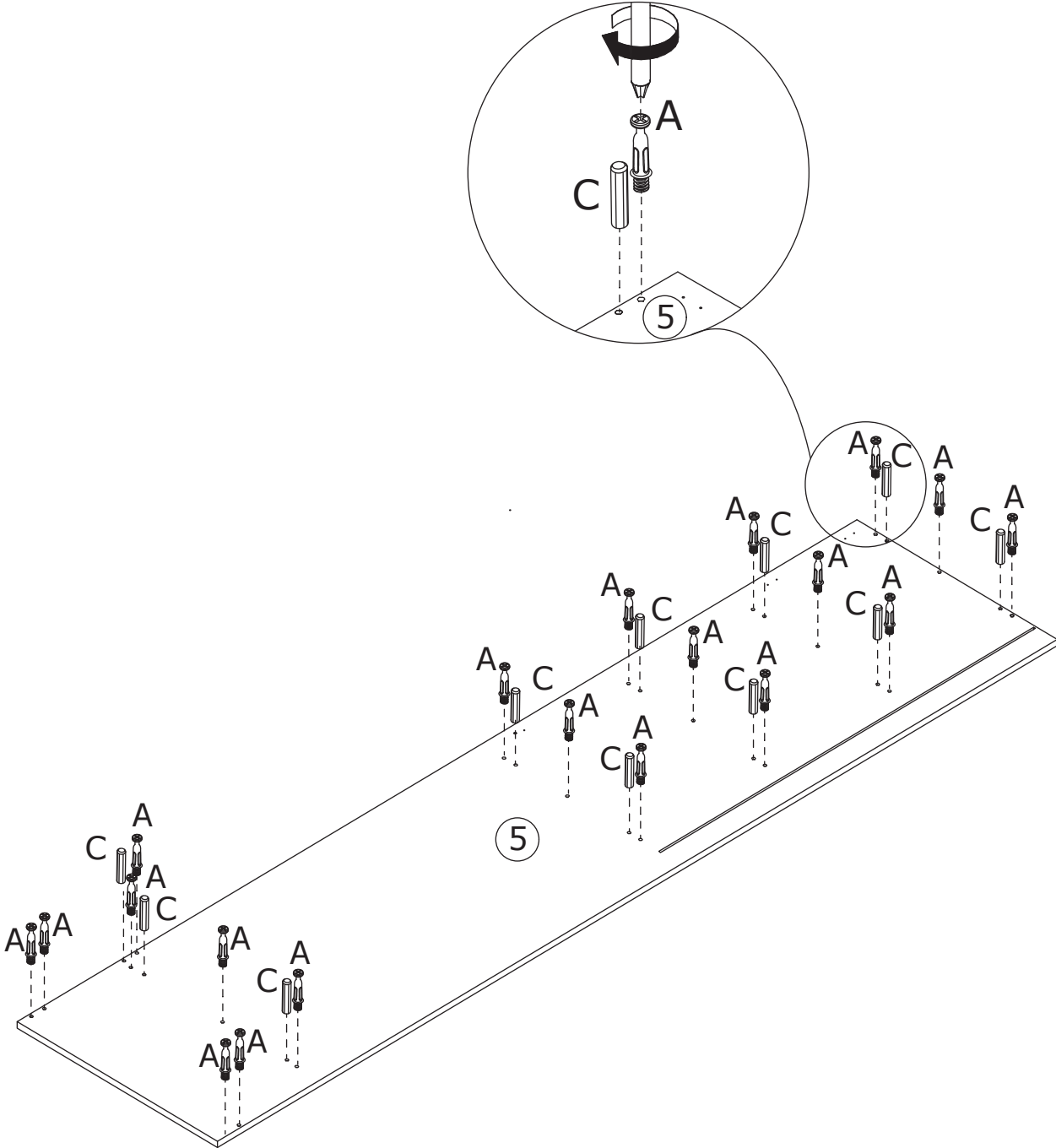
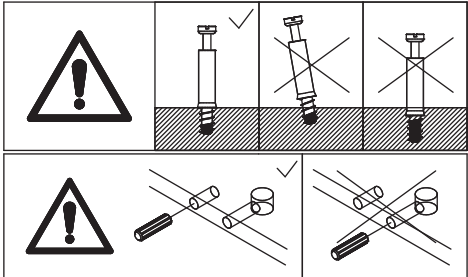
As shown in the diagram, insert panel 13 along the available slot.




10



As shown in the diagram, screw the self-tapping stud (A) into panel 5, and insert the dowel (C) into panel 5.

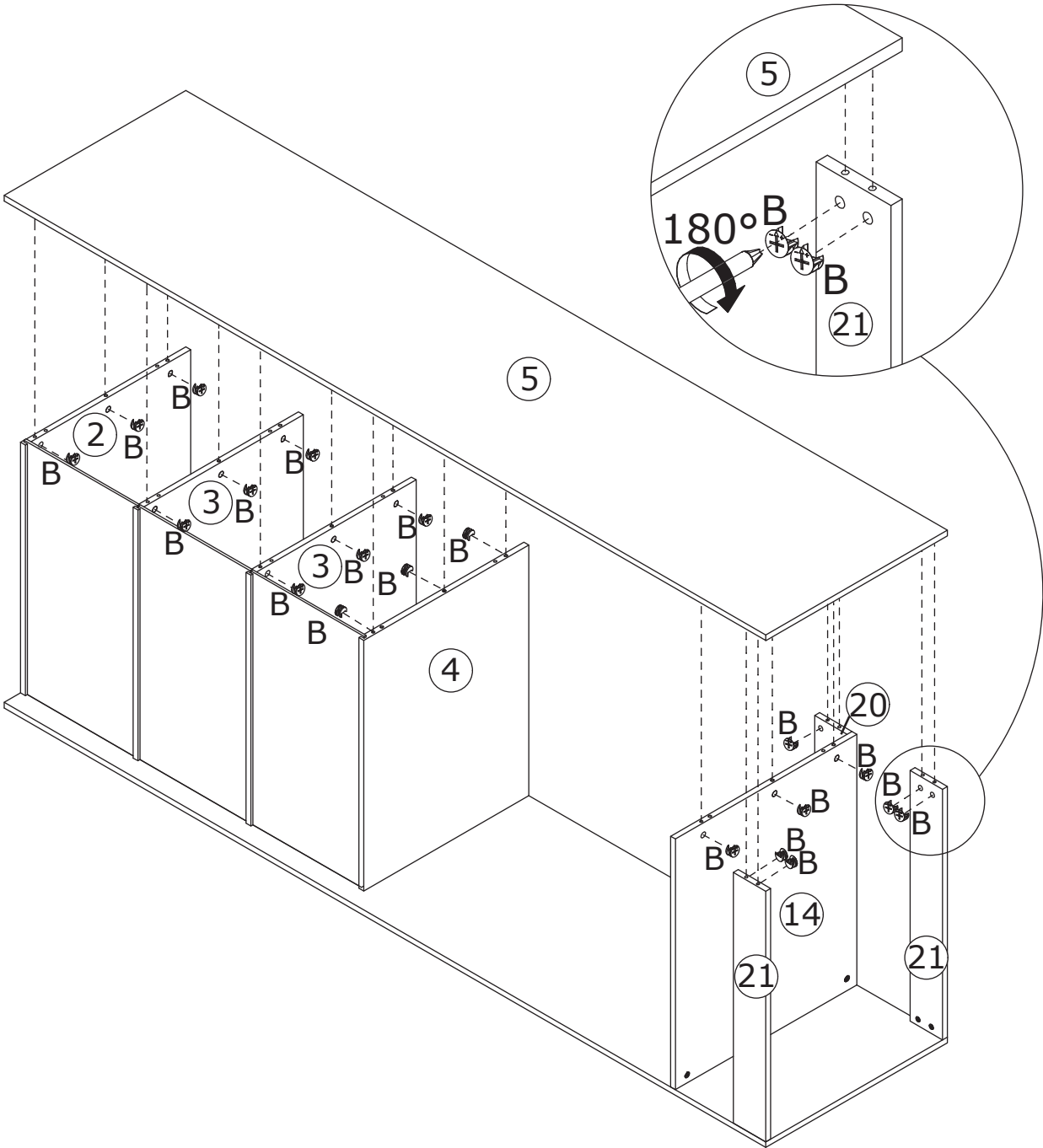
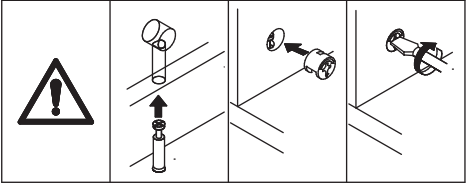


11

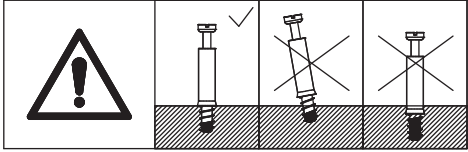
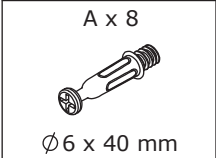
B x 20  
  
Ø 12 x 12 mm



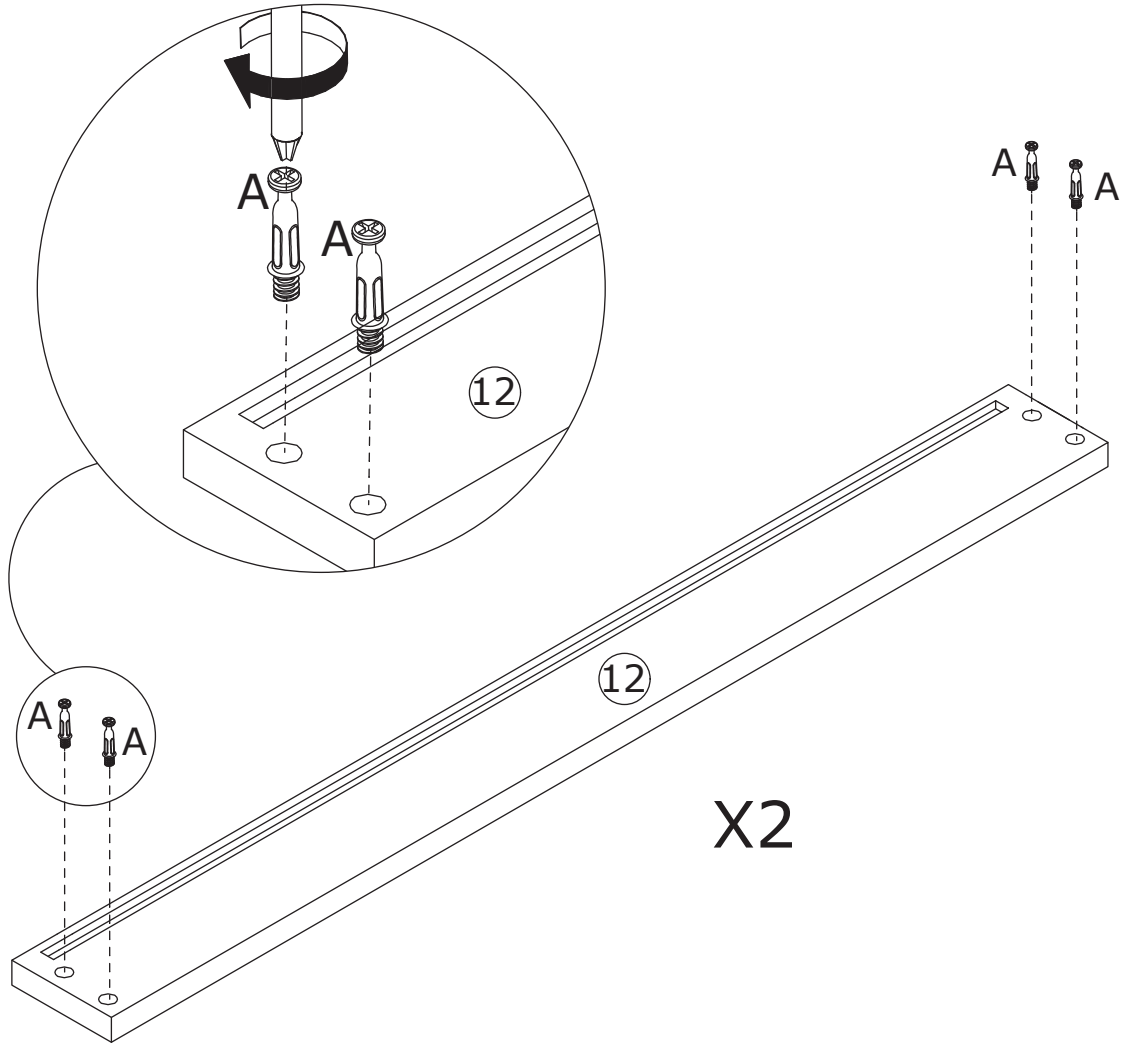
As shown in the diagram, connect panel 5 to panel 2, panel 3, panel 4, panel 14, panel 20 and panel 21, insert the cam lock (B), and tighten by rotating clockwise.




12

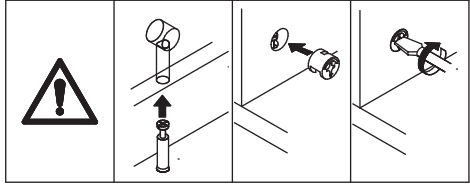


As shown in the diagram, screw the self-tapping stud (A) into panel 12.

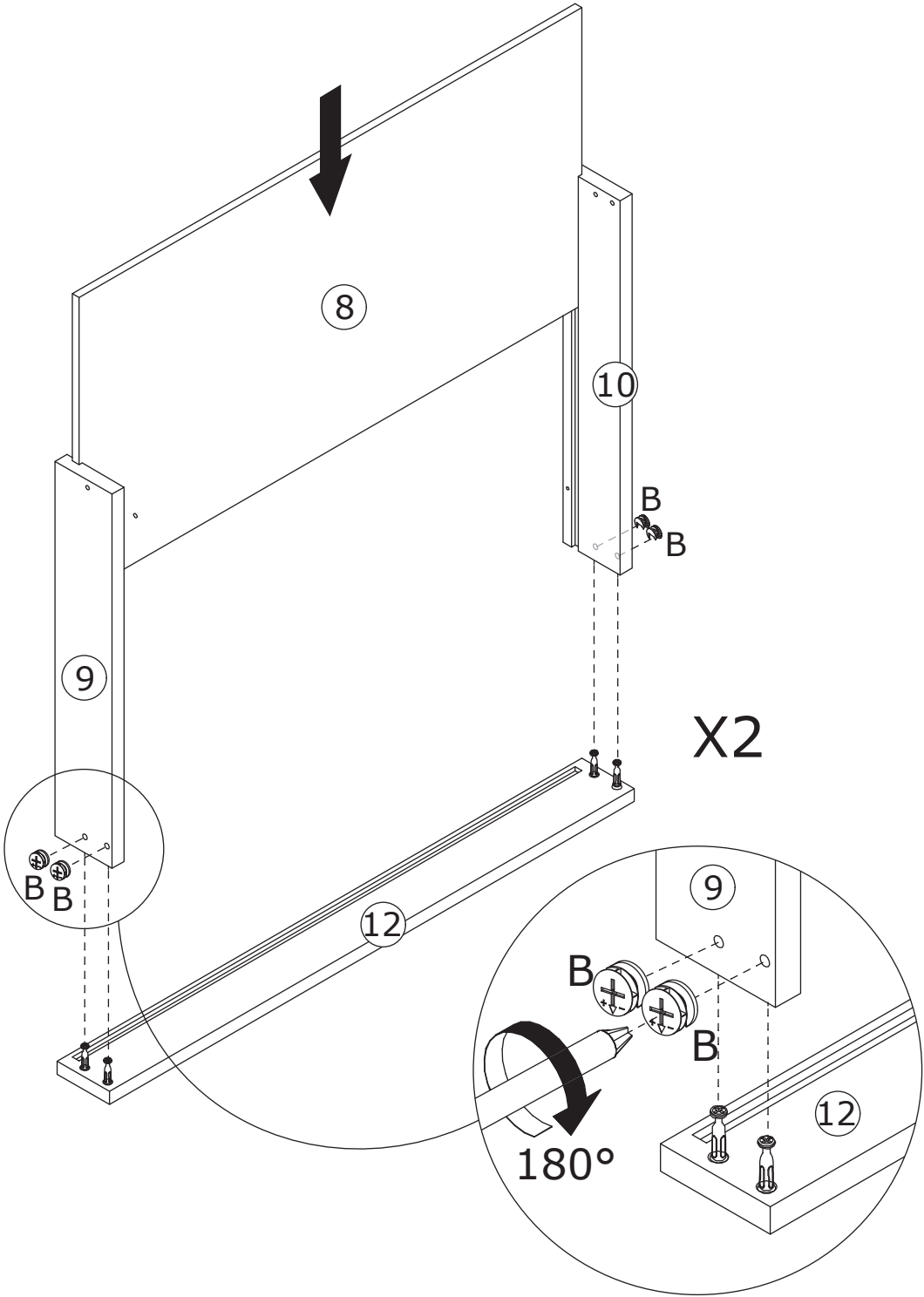


13

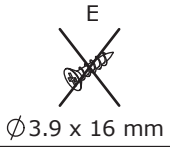
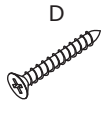
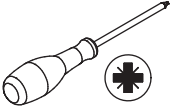
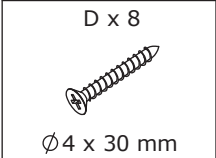
B x 8  
  
Ø 12 x 12 mm



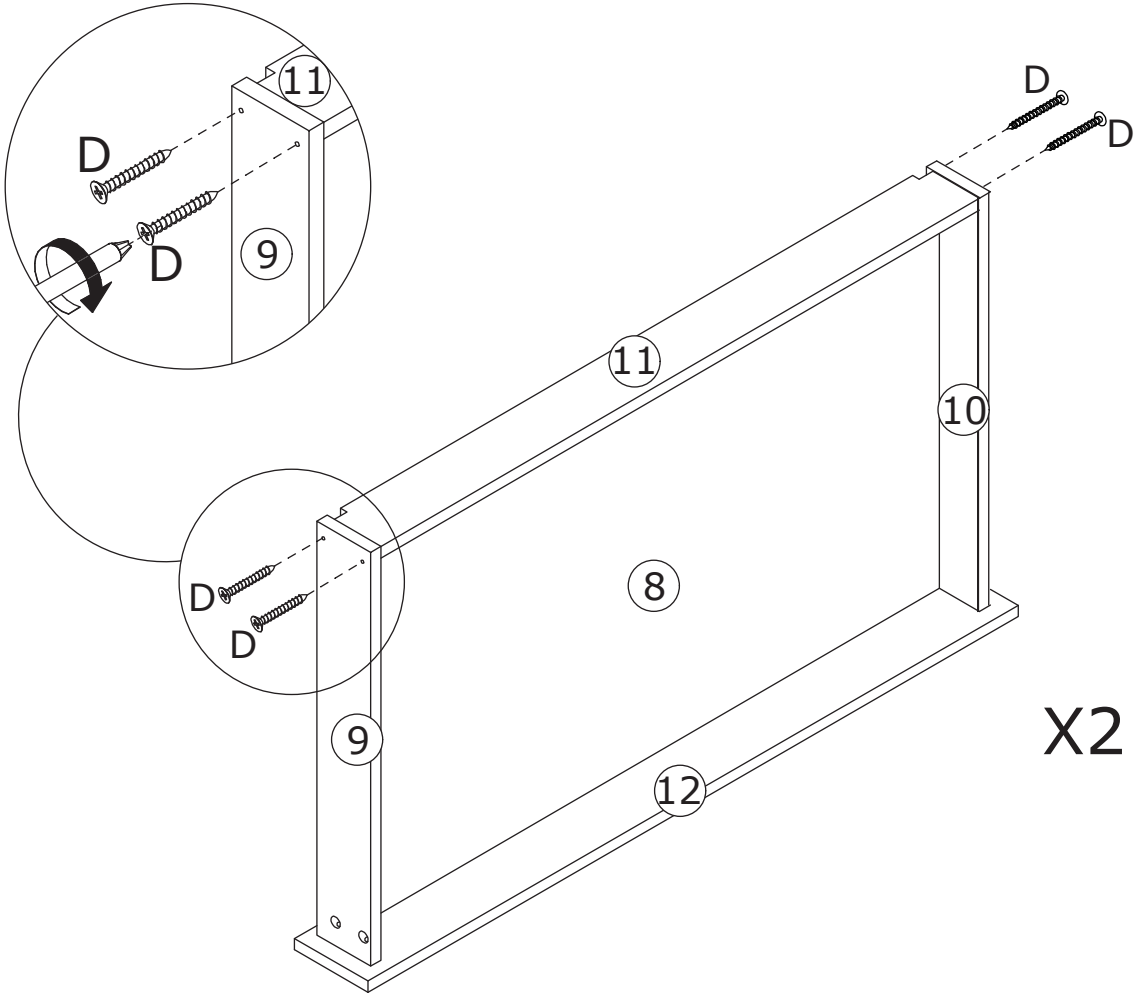
As shown in the diagram, connect panel 12 to panel 9 and panel 10, insert the cam lock (B) and tighten by rotating clockwise, then insert panel 8 along the available slot.



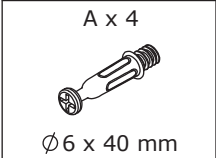
14



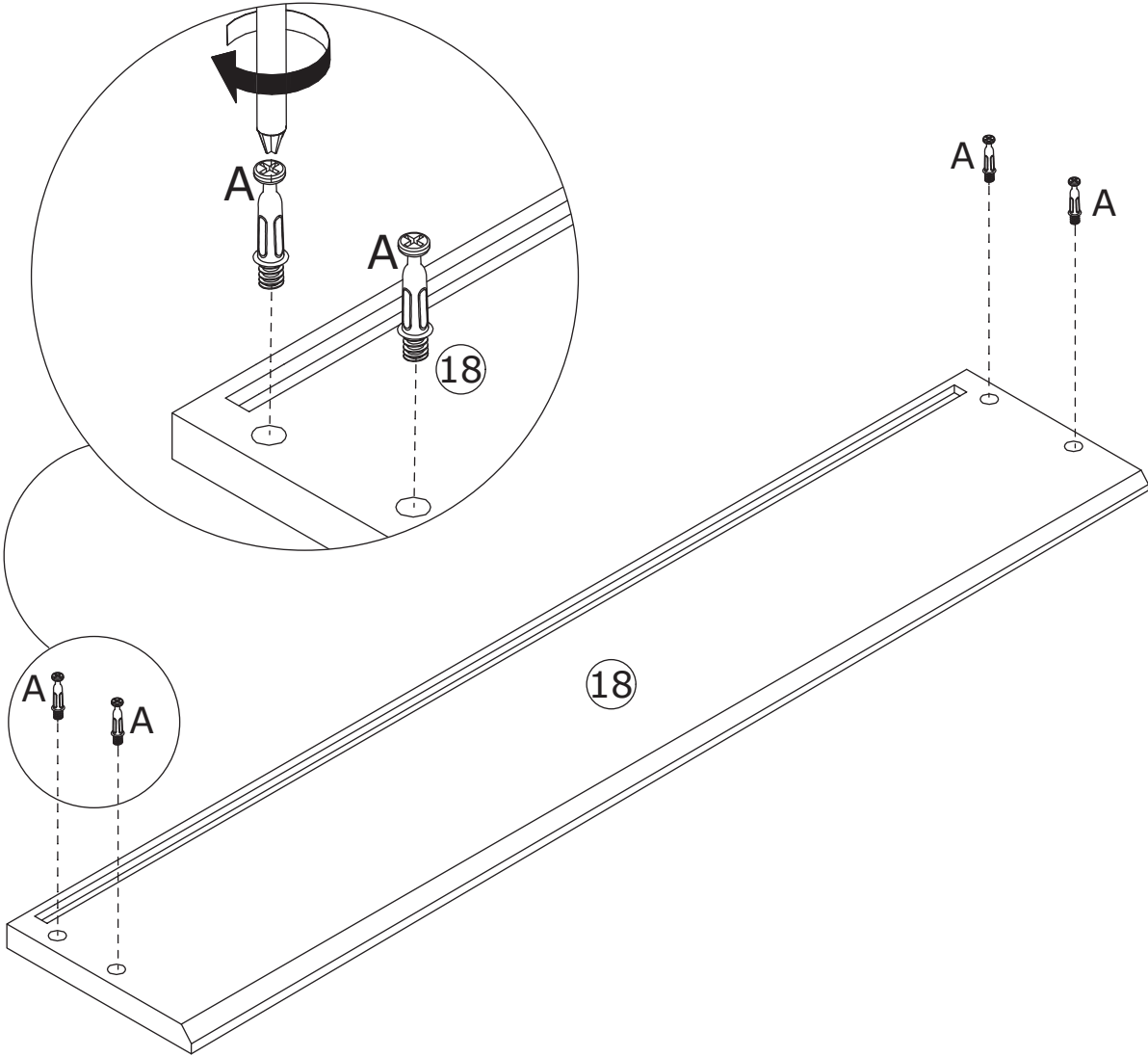
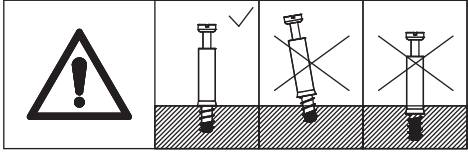
As shown in the diagram, use screw (D) to connect panel 11 to panel 9 and panel 10.



15



As shown in the diagram, screw the self-tapping stud (A) into panel 18.

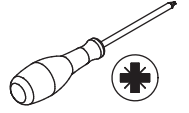


# 16

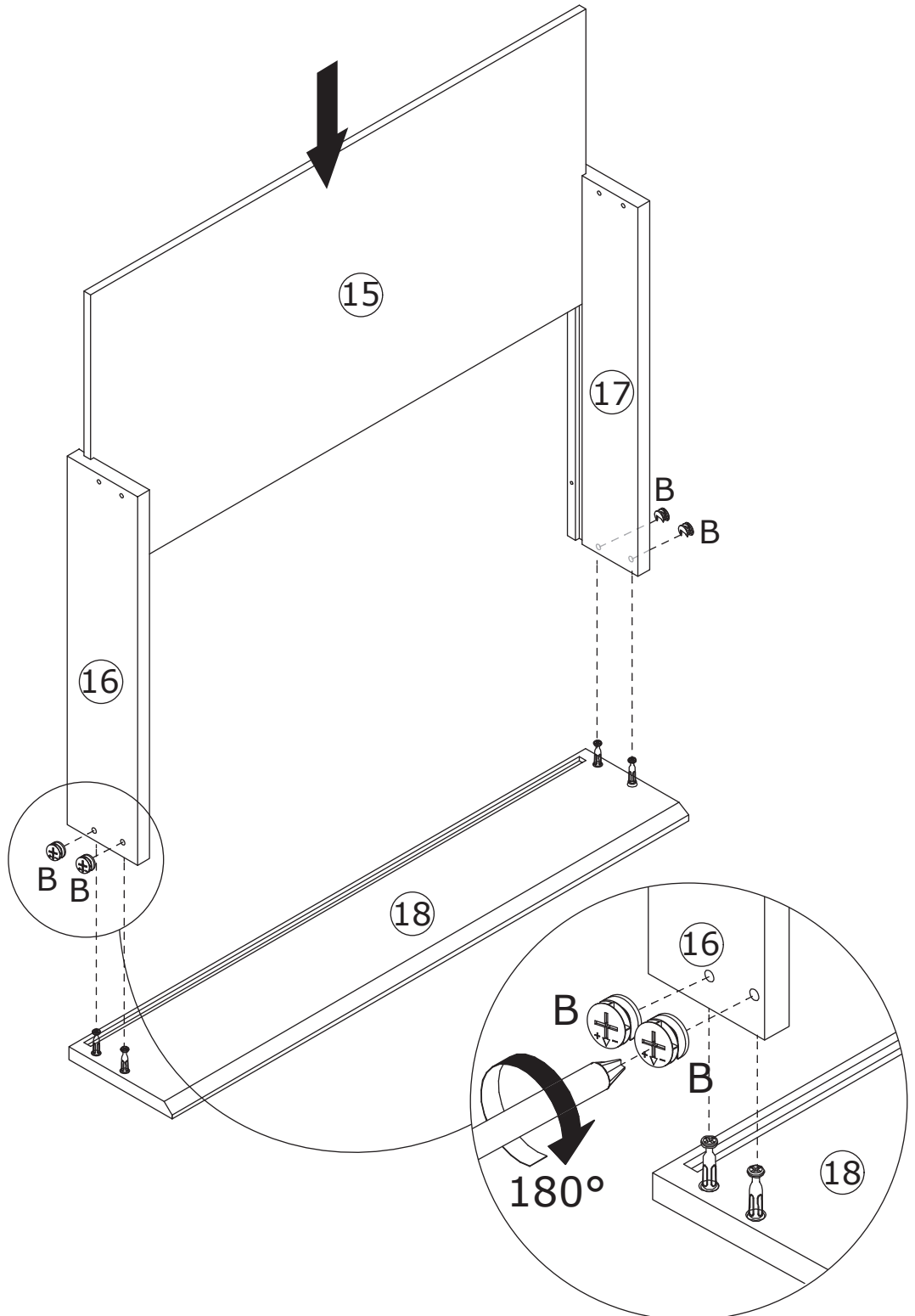
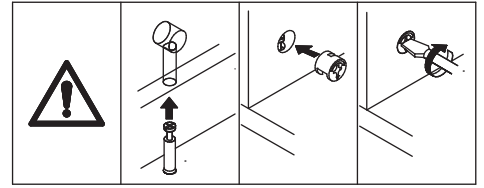
B x 4



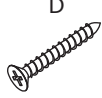
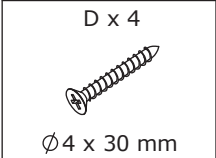
Ø 12 x 12 mm



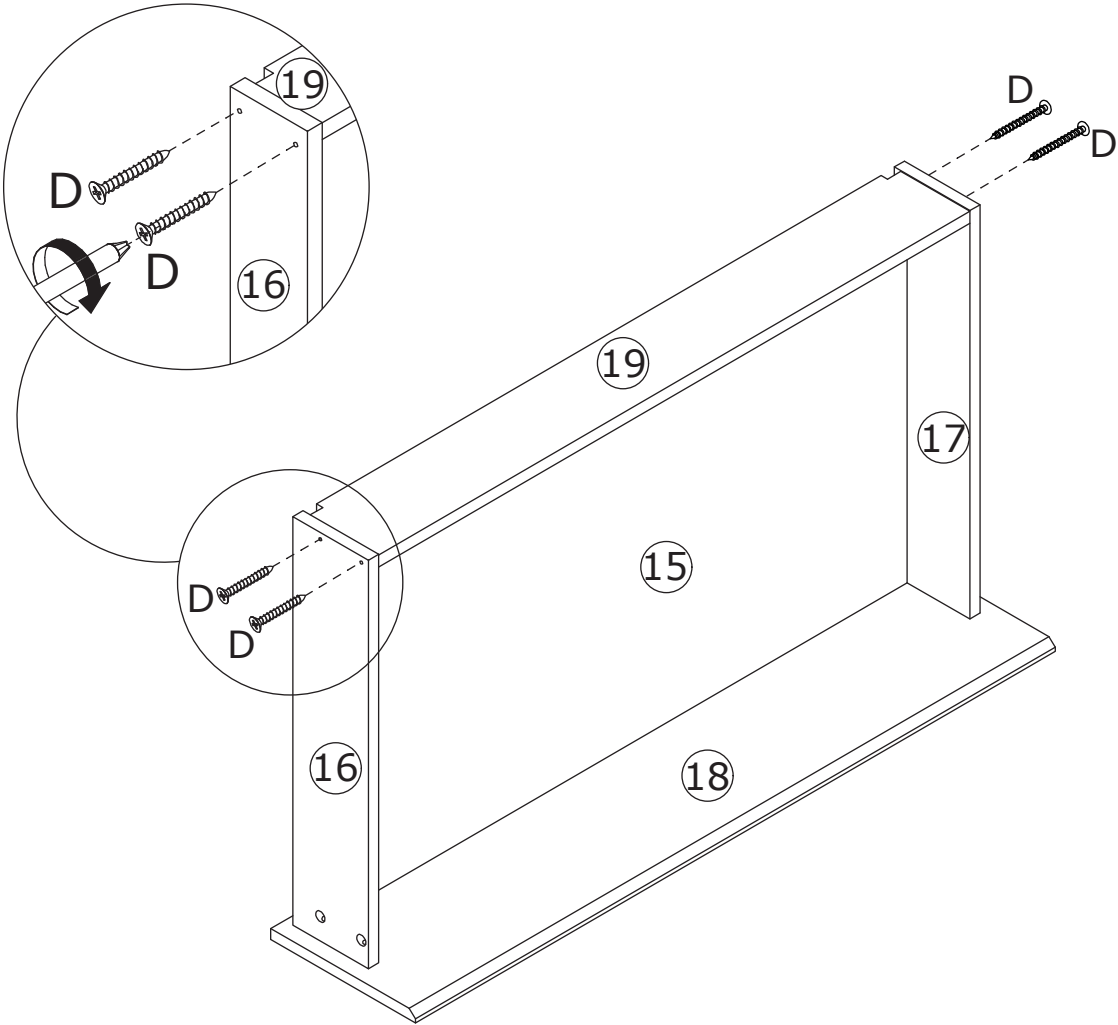
As shown in the diagram, connect panel 18 to panel 16 and panel 17, insert the cam lock (B) and tighten by rotating clockwise, then insert panel 15 along the available slot.



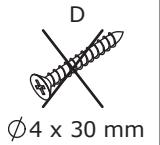
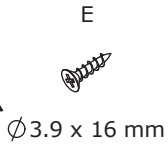
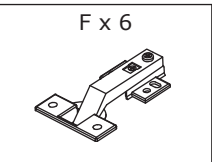
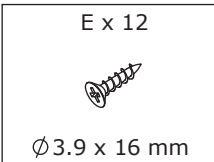
17



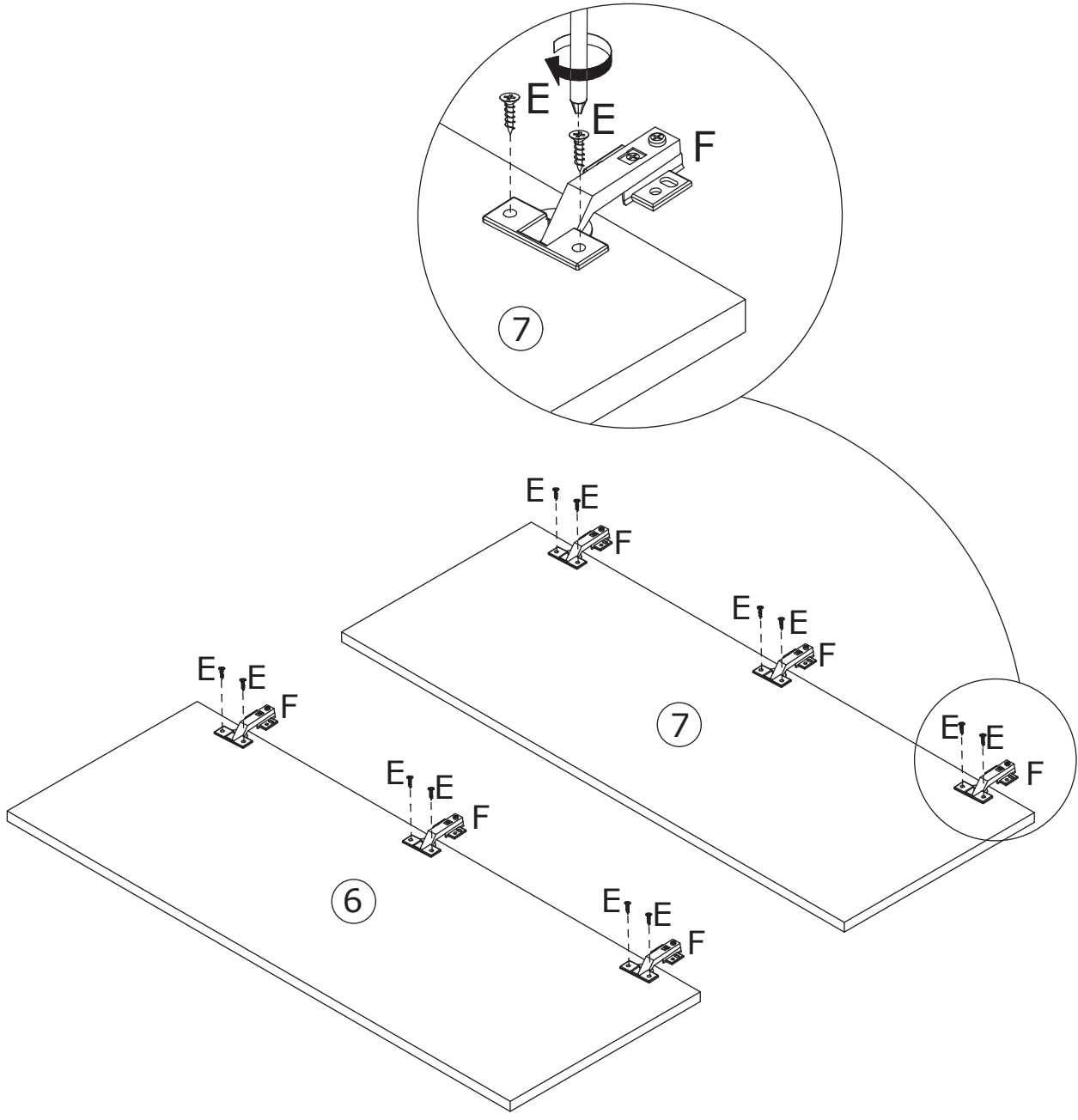
As shown in the diagram, use screw (D) to connect panel 19 to panel 16 and panel 17.



18



As shown in the diagram, use screw (E) to secure component (F) to panel 6 and panel 7.

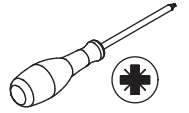


19

E x 6



Ø3.9 x 16 mm



As shown in the diagram, use screw (E) to secure panel 7 to the installation unit.



E

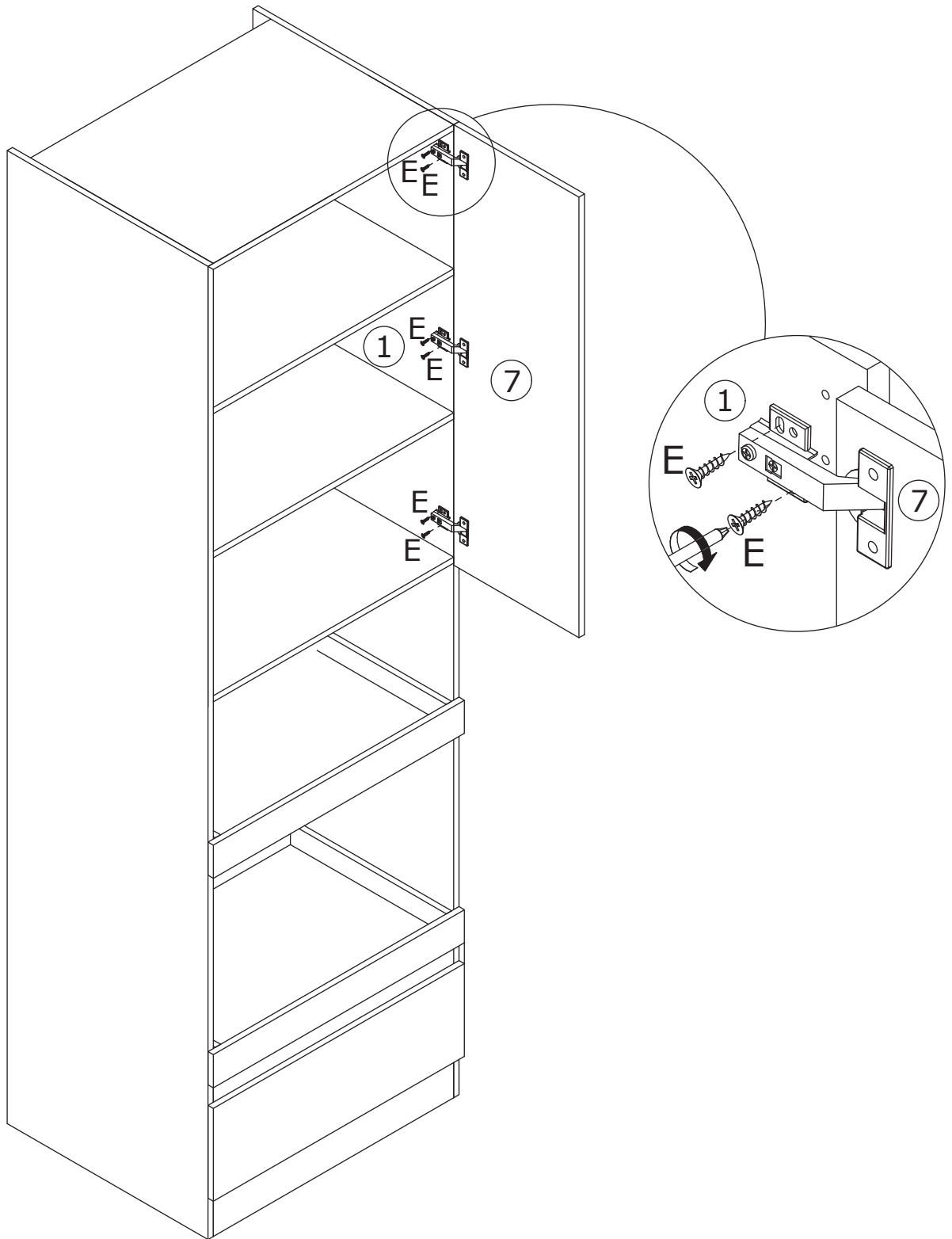


Ø3.9 x 16 mm

D

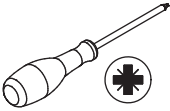


Ø4 x 30 mm



20

E x 6  
Ø3.9 x 16 mm



As shown in the diagram, use screw (E) to secure panel 6 to the installation unit.



E

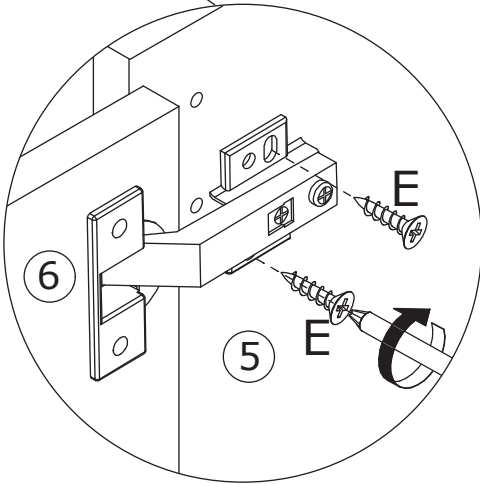
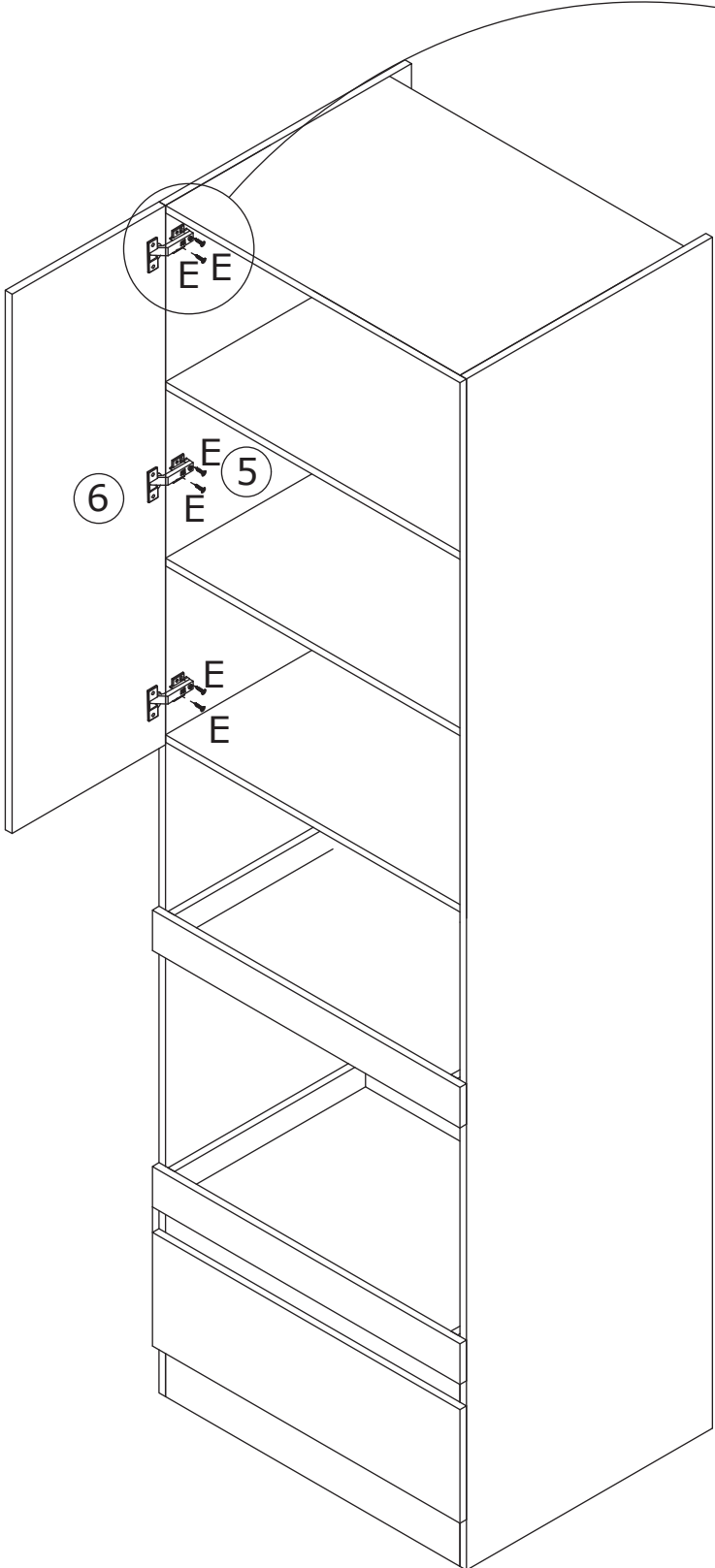


Ø3.9 x 16 mm

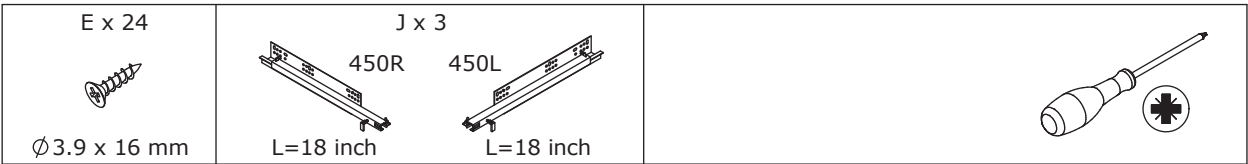
D



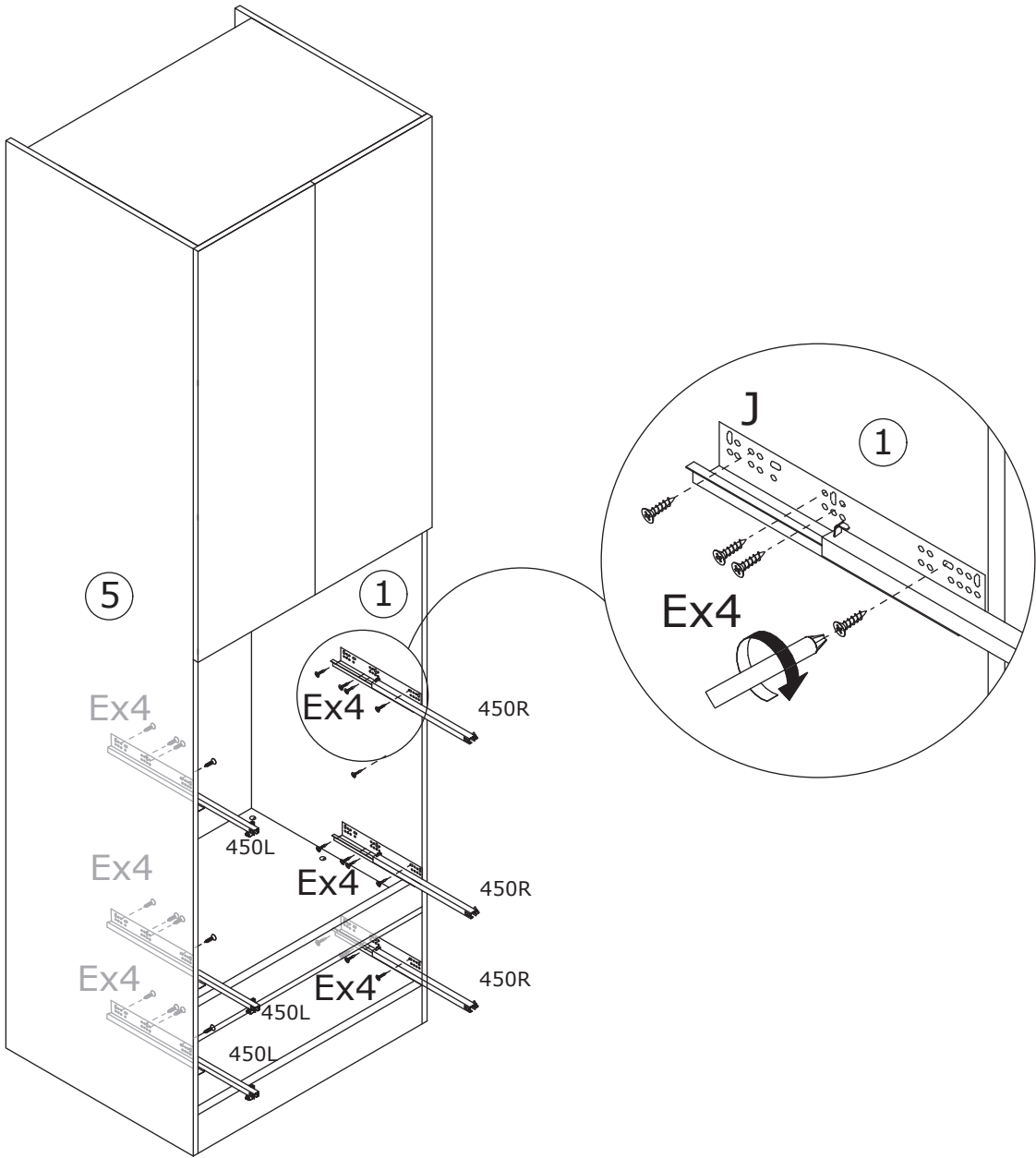
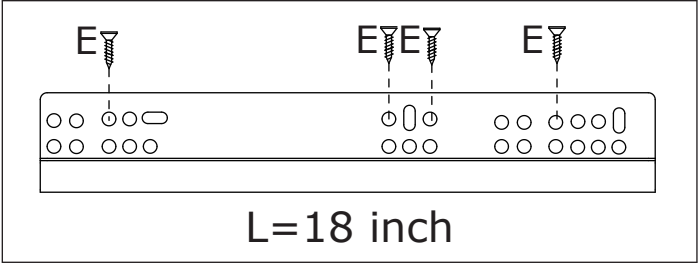
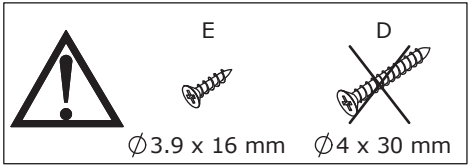
Ø4 x 30 mm



21

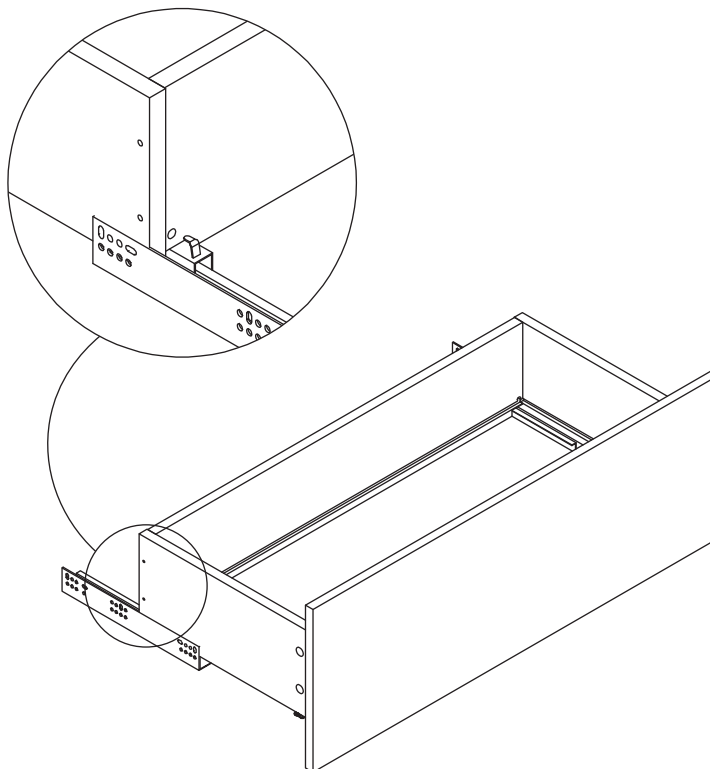


As shown in the diagram, use screw (E) to secure component (J) and component (K) to the installation unit.

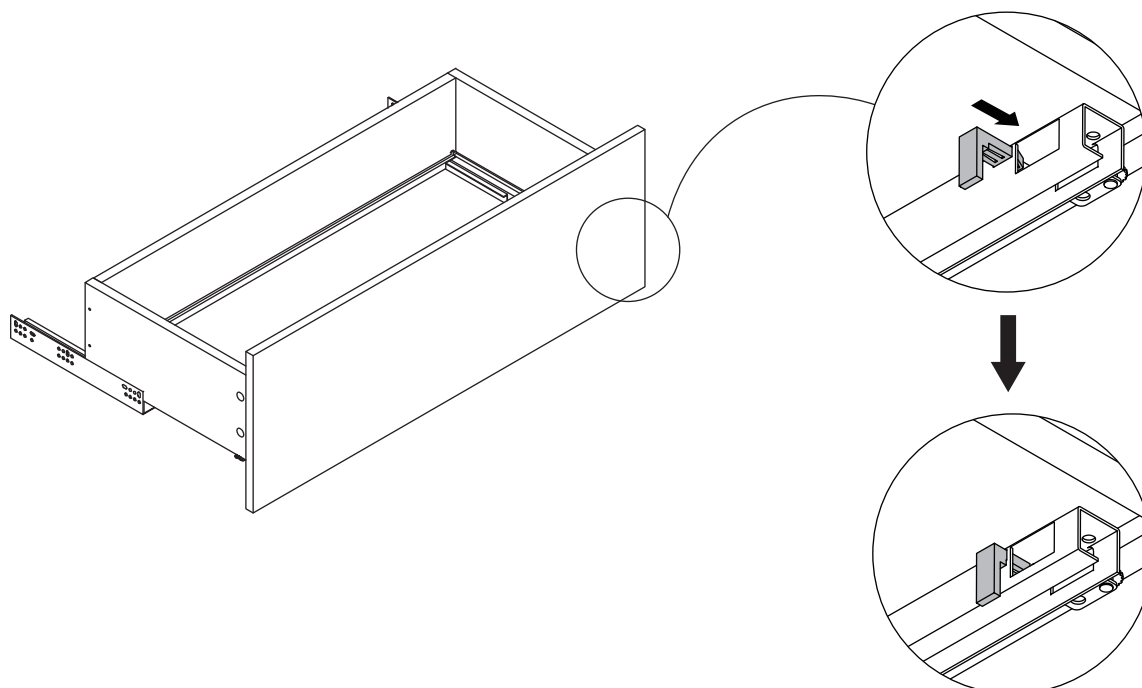


## Tutorial for installing drawers

**STEP 1: insert the rear hook of the slide rail into the hole at the back of the drawer box.**



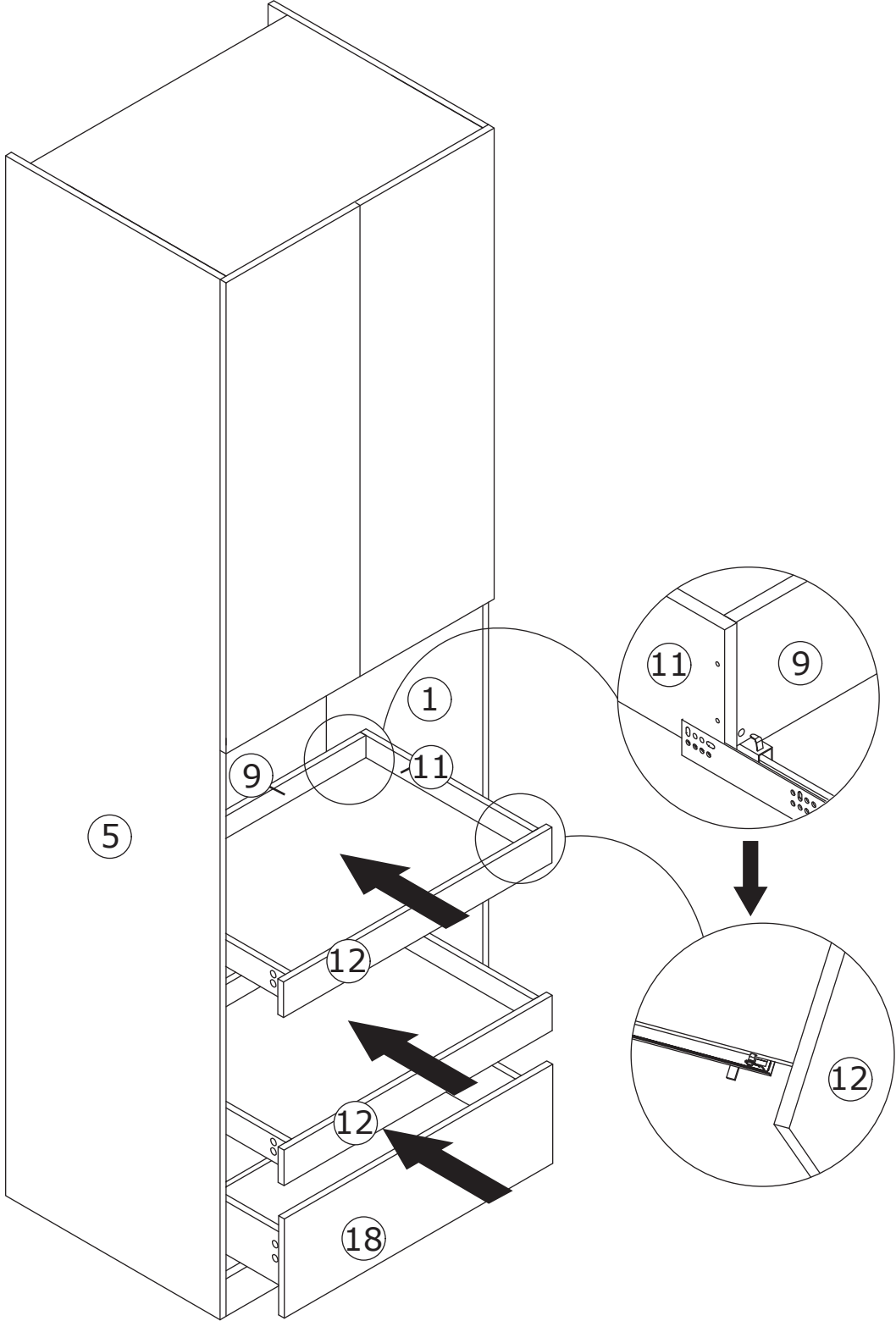
**STEP 2: align the slide rail and insert the slide rail buckle into the side hole of the drawer.**



23

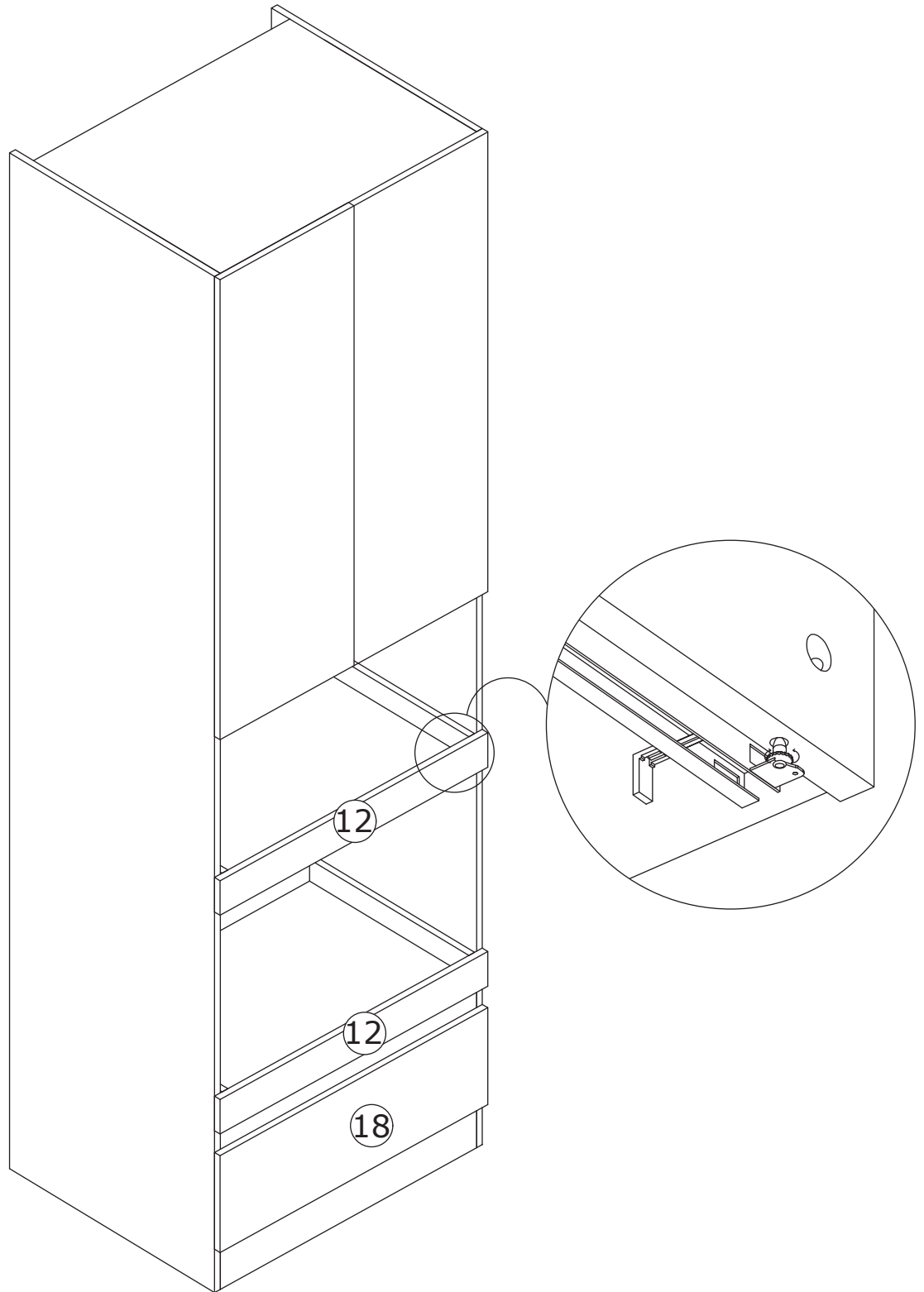


As shown in the diagram, push the drawer box into place.

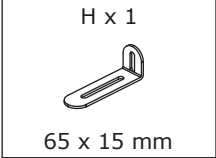
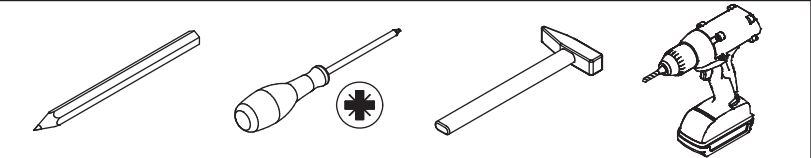
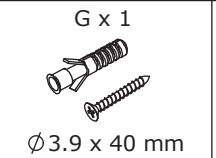
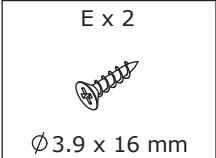


24

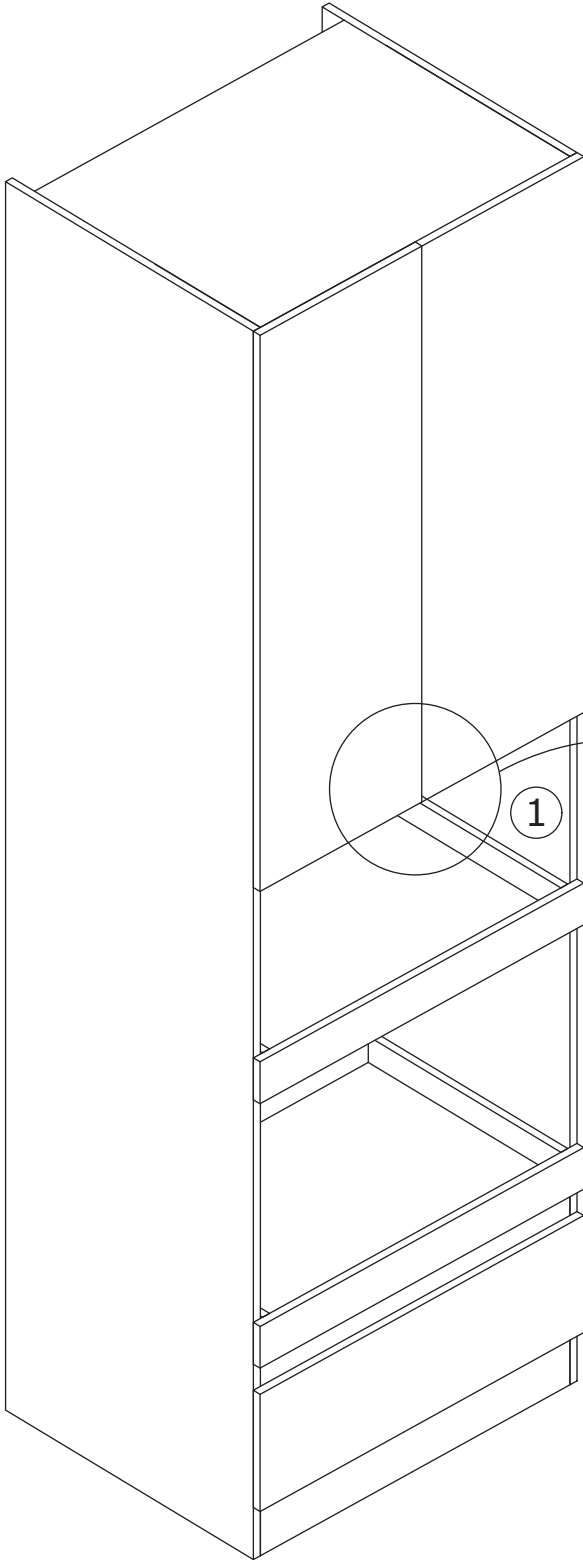
As shown in the diagram, adjust the drawer gap by rotating the knob at the bottom of the drawer.

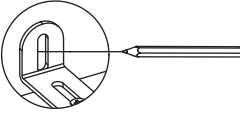
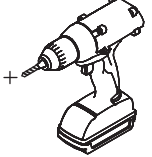
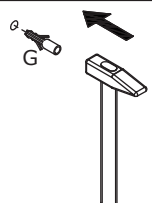
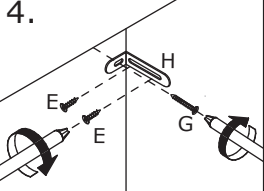


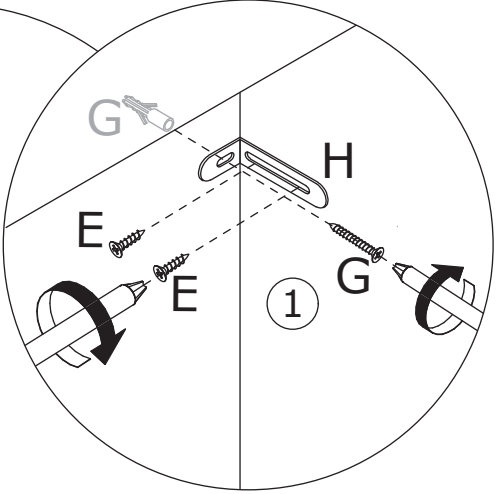
25



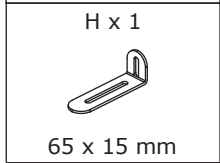
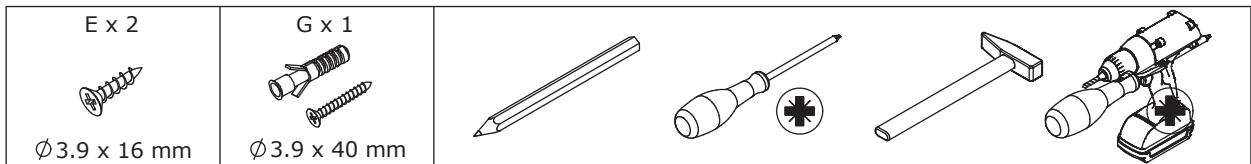
As shown in the diagram, install anti-tipping device G. Select components according to your wall material.



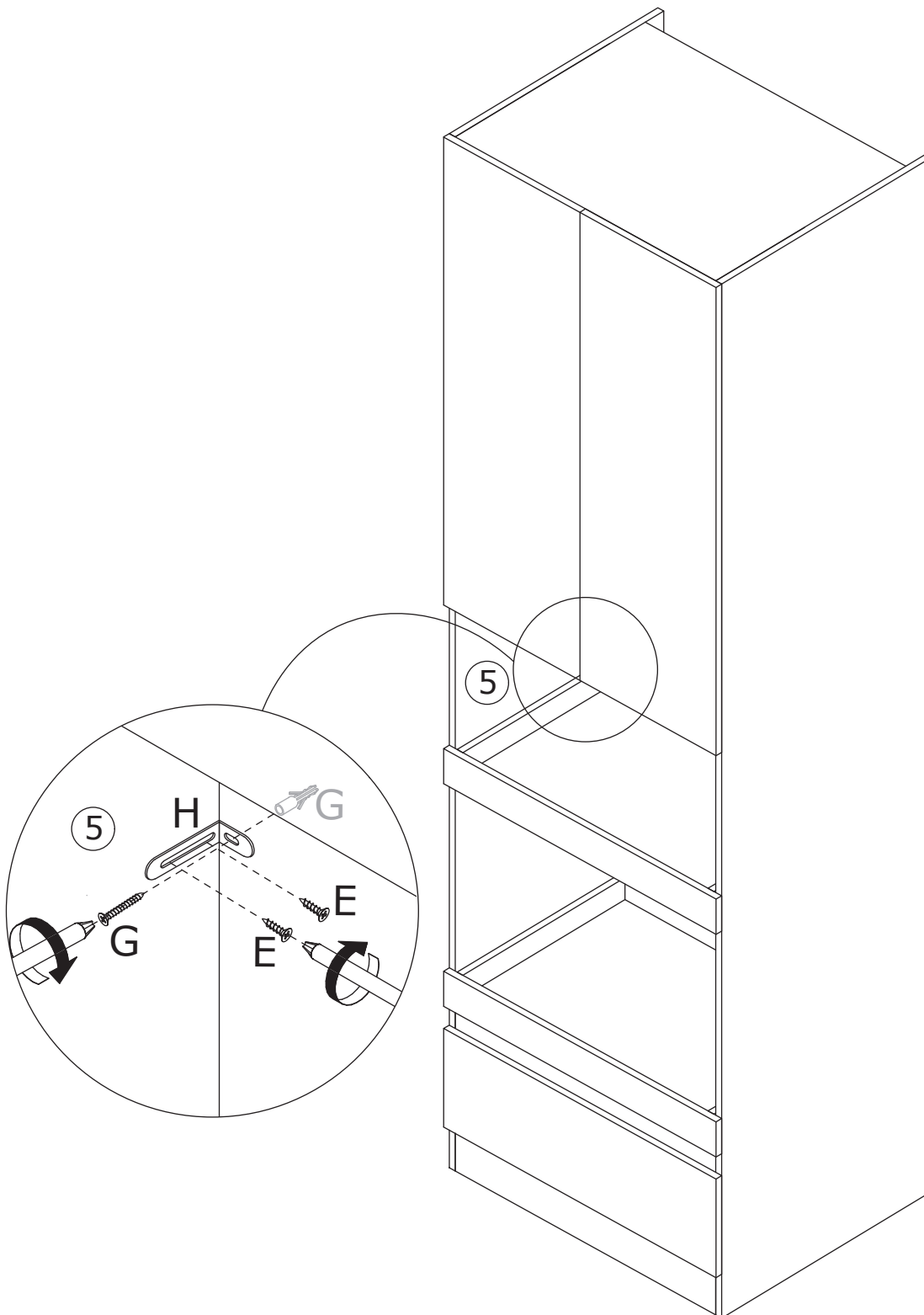
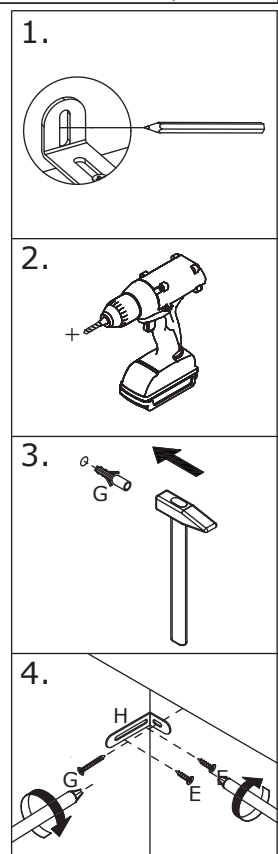
1. 
2. 
3. 
4. 

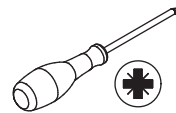


26



As shown in the diagram, install anti-tipping device G. Select components according to your wall material.

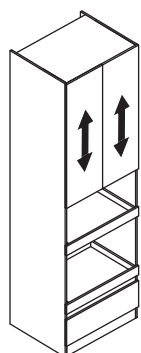
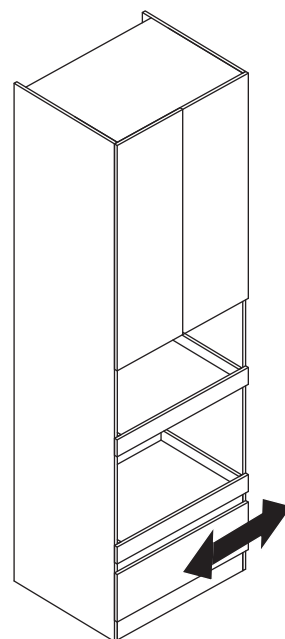




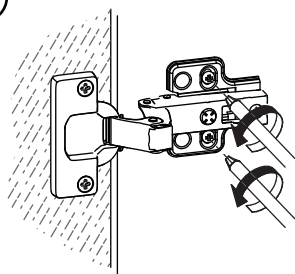
If doors are still not aligned if the hinges are properly correctly, please watch the video.

<https://youtu.be/n0Lb36SoODM>

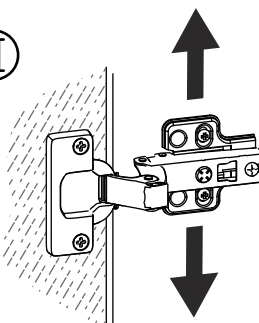
If there is misalignment after you install, adjust the screw to the best condition



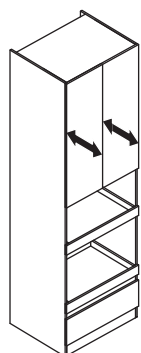
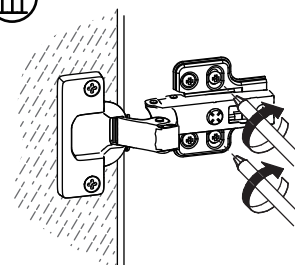
I



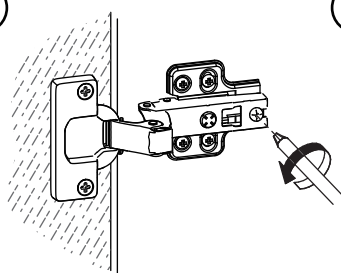
II



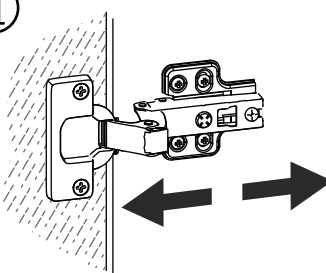
III



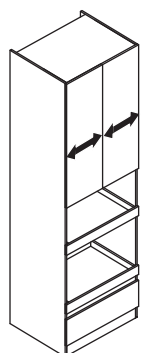
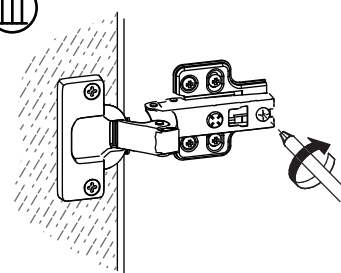
I



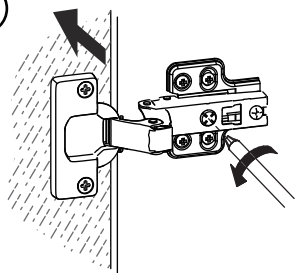
II



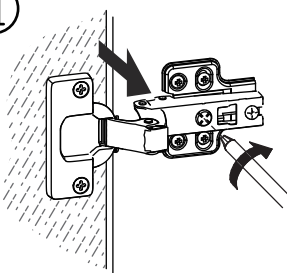
III



I



II



# WARRANTY

## WARRANTY CLAIMS

- There is a 30-day warranty for broken furniture or any other problems that do not work properly. The warranty will start from the date of purchase which must be verified by proof of purchase.
- Before making a claim, we may be able to answer your query, simply call us. Please leave your purchase order number, along with some details of the problem, if you want a replacement part. We will arrange within 48 hours. If there is out of stock, we will reply with a shipping date.
- The product must be used in accordance with the instructions provided. For health reasons.
- For other reasons, if the furniture needs to be returned, it must be cleaned and dried and operated within 30 days of receipt.

## Type of Warranty Claim

- Failure to follow the furniture instructions will invalidate the warranty. Attention please.
- Does not include damage during installation, but includes damage during transportation.

## Scope of responsibility

- Shall not bear any responsibility for misuse or user damage and / or loss of parts during the installation of furniture.
- After using, the damage and scratches of the furniture are not covered by the warranty.

## The Warranty Relates to All Bought in The Us and Covers The Following Areas

- Sheet parts: 1 month from the date of purchase.
- Electrical parts: 1 month from the date of purchase.

# RETURNS

## CHANGED YOUR MIND AND NEED TO RETURN YOU ITEM?

### PLEASE FOLLOW THE BELOW INSTRUCTIONS:

- If you have purchased and have simply changed your mind, follow the retailer's instructions for returns.

### DEFECTIVE ITEMS

- If your item is defective in any way, i.e. it doesn't work but you can't identify why, in the first instance, please call us.

### DAMAGED ITEMS

- If you receive an order with obvious shipping damage from the retailer, then we suggest the delivery is refused. If the delivery has been accepted and then shipping damage is found, please follow the specific instructions advised by the retailer.  
In all circumstances please save all packaging material and paperwork for the order. Please be aware that if you dispose of packaging material or attempt to return the merchandise without contacting the fulfiller, you jeopardise your chances of making a claim, and you may not receive a credit for the return.

### AFTER-SALES CONTACT



adelahu@fufugaga.com



208-820-0068