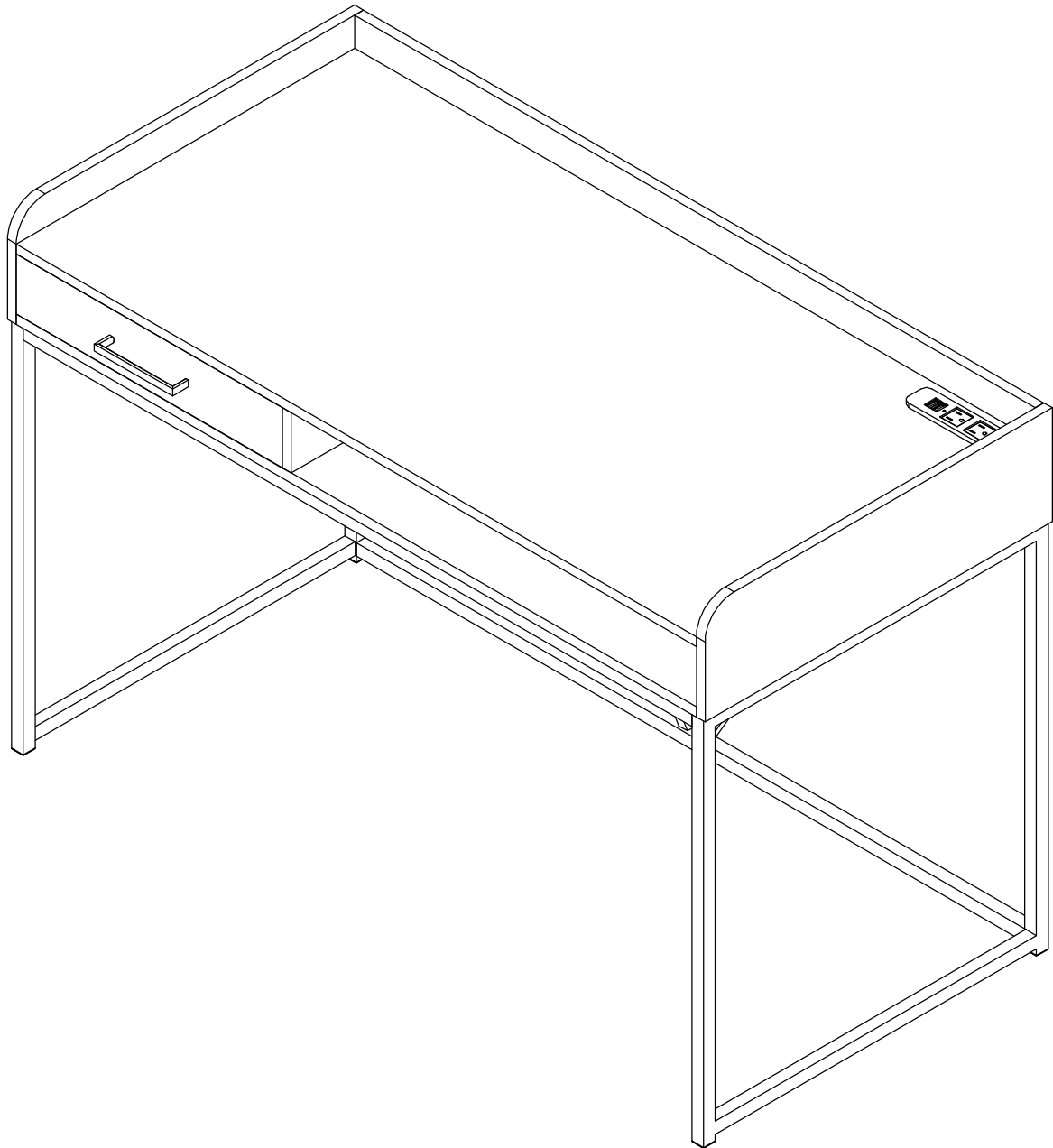


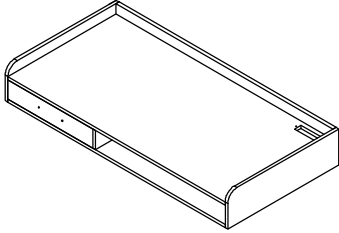
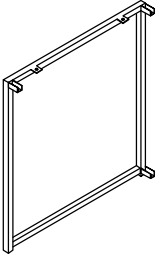
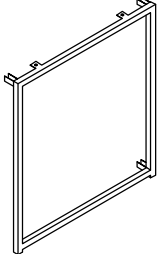
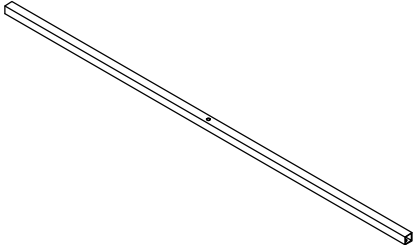
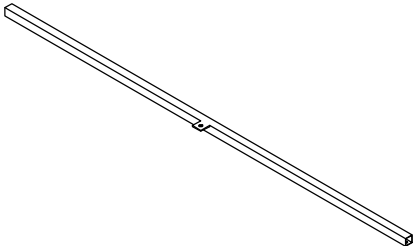
Preston Desk/Grey

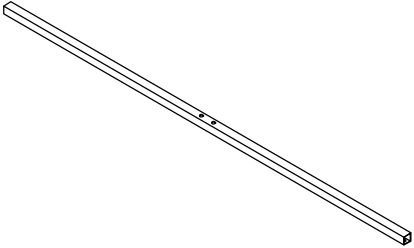
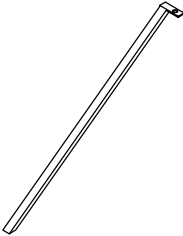
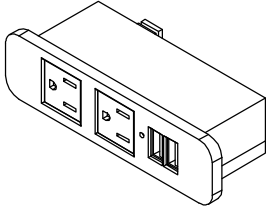
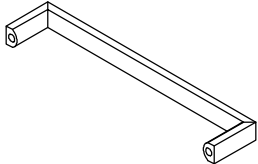
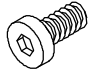
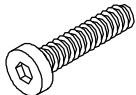
ASSEMBLY INSTRUCTIONS

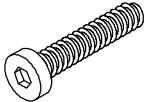
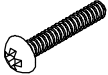
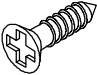
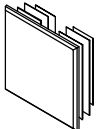
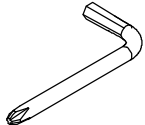


ASSEMBLY INSTRUCTIONS

**Please identify and locate all assembly parts (see parts list) before discarding any packing materials.
Some parts may have become loose during transit.**

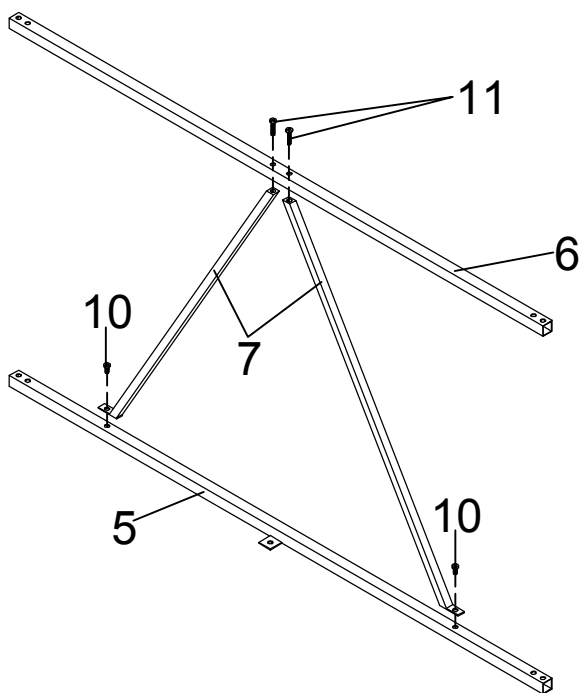
PARTS LIST			
NO.	SKETCH	DESCRIPTION	QYT
1		DESK TOP	1PC
2		LEFT FRAME	1PC
3		RIGHT FRAME	1PC
4		FRONT CROSSBAR	1PC
5		REAR UPPER CROSSBAR	1PC

NO.	SKETCH	DESCRIPTION	QYT
6		REAR BOTTOM CROSSBAR	1PC
7		SUPPORT CROSSBAR	2PCS
8		POWER OUTLET	1PC
9		DRAWER PULL	1PC
10		SHORT BOLT 1/4" x 12mm	19PCS
11		MEDIUM BOLT 1/4" x 25mm	2PCS

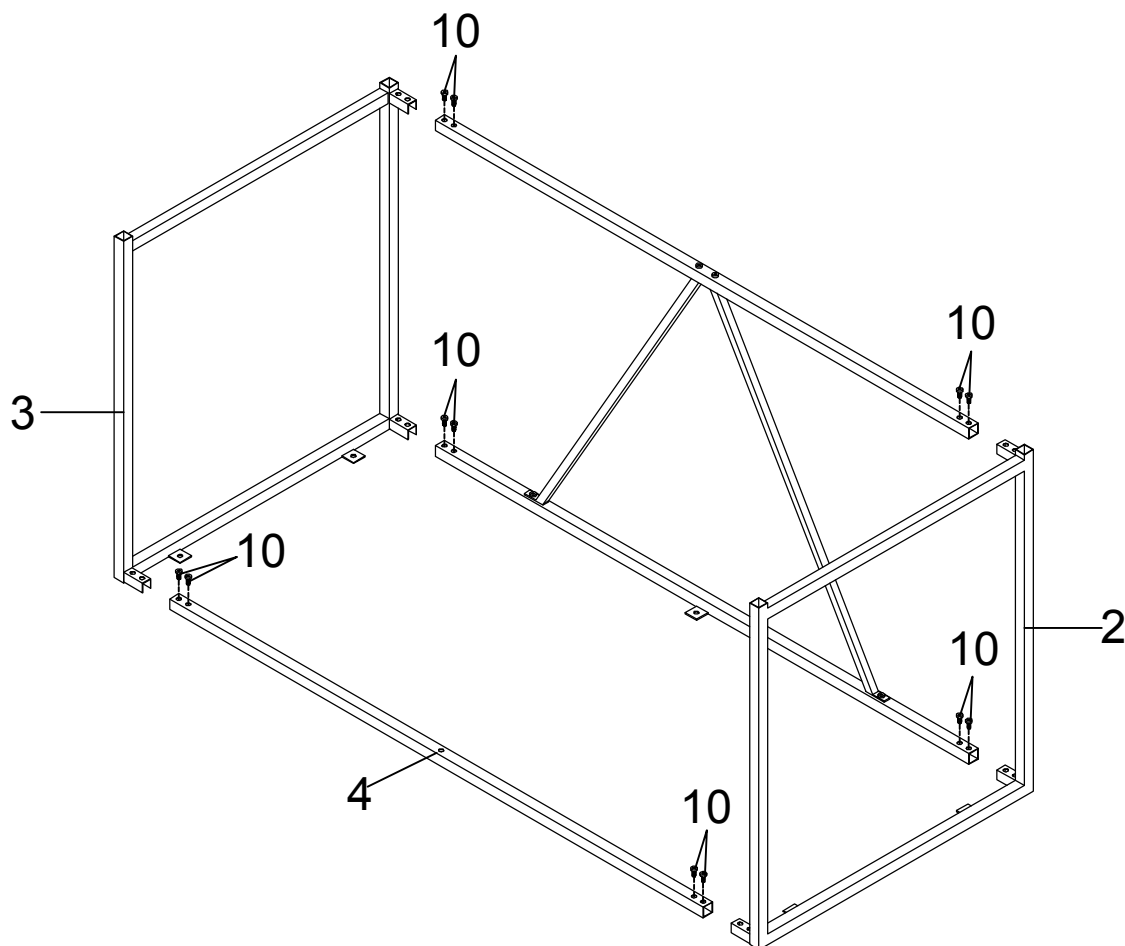
NO.	SKETCH	DESCRIPTION	QYT
12		<p>LONG BOLT 1/4" x 32mm</p>	1PC
13		<p>BOLT 5/32" x 22mm</p>	2PCS
14		<p>SCREW 4 x 15mm</p>	2PCS
15		<p>CAP 20 x 20mm</p>	4PCS
16		<p>ALLEN KEY 4mm</p>	1PC

NOTE: Do not tighten until each step is completed or instructed.

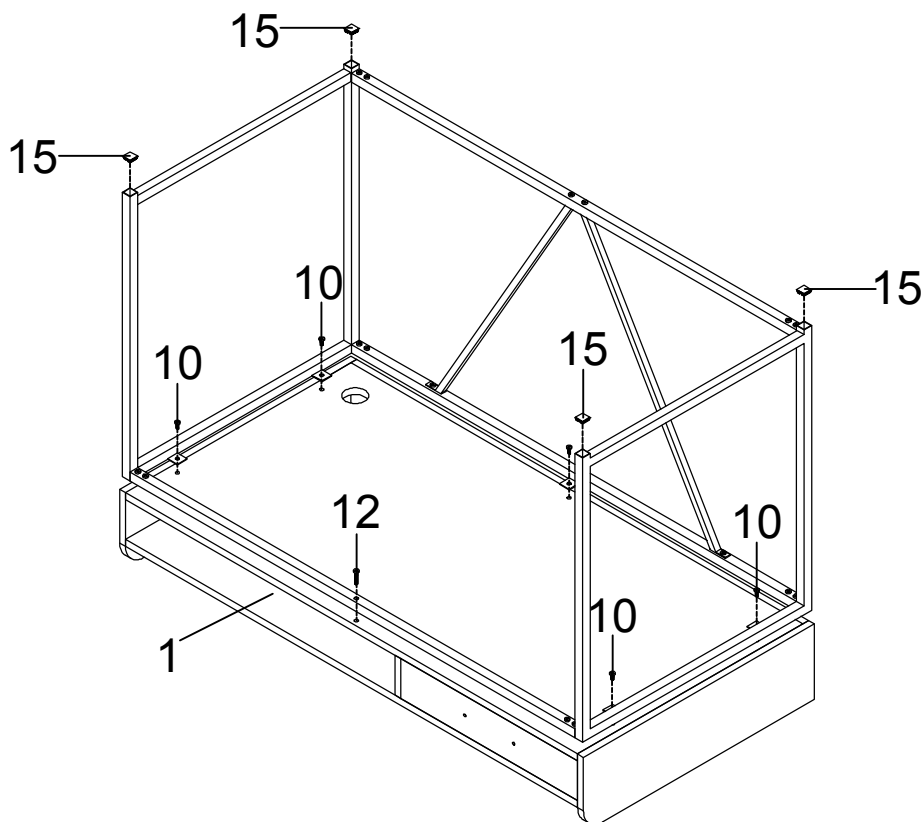
Step 1: Attach Support Crossbar (7) to Rear Upper Crossbar (5) using Short Bolt (10), and attach Support Crossbar (7) to Rear Bottom Crossbar (6) using Medium Bolt (11). Secure bolts with Allen Key (16).



Step 2: Attach the assembly in Step 1 and Front Crossbar (4) to Left Frame (2) and Right Frame (3) using Short Bolt (10) with Allen Key (16).



- Step 3: 1.Insert Cap (15) into the Left Frame (2) and Right Frame (3).
2.Attach the assemble in Step 2 to the Desk Top (1) using Short Bolt (10) and Long Bolt (12).



- Step 4: 1.Open the drawer. Then attach Drawer Pull (9) to the Drawer using Bolt (13) with Allen Key (16).
2.Insert the Power Outlet (8) using Screw (14) with Allen Key (16).

