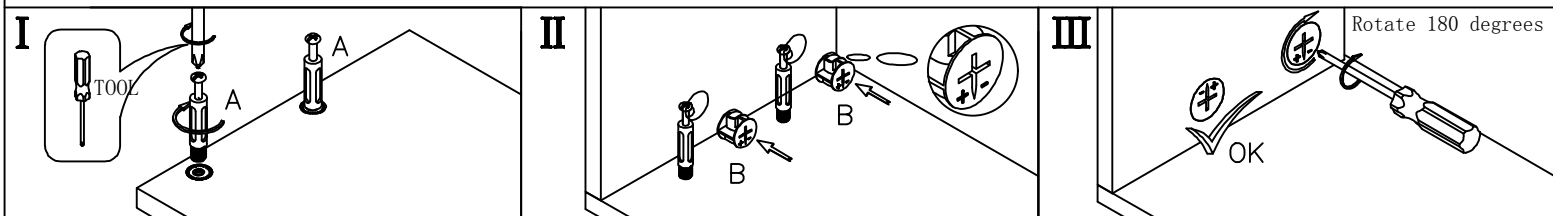





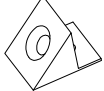
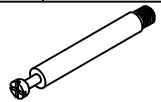


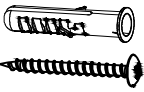
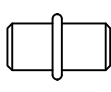

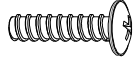
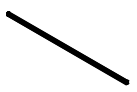



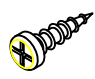

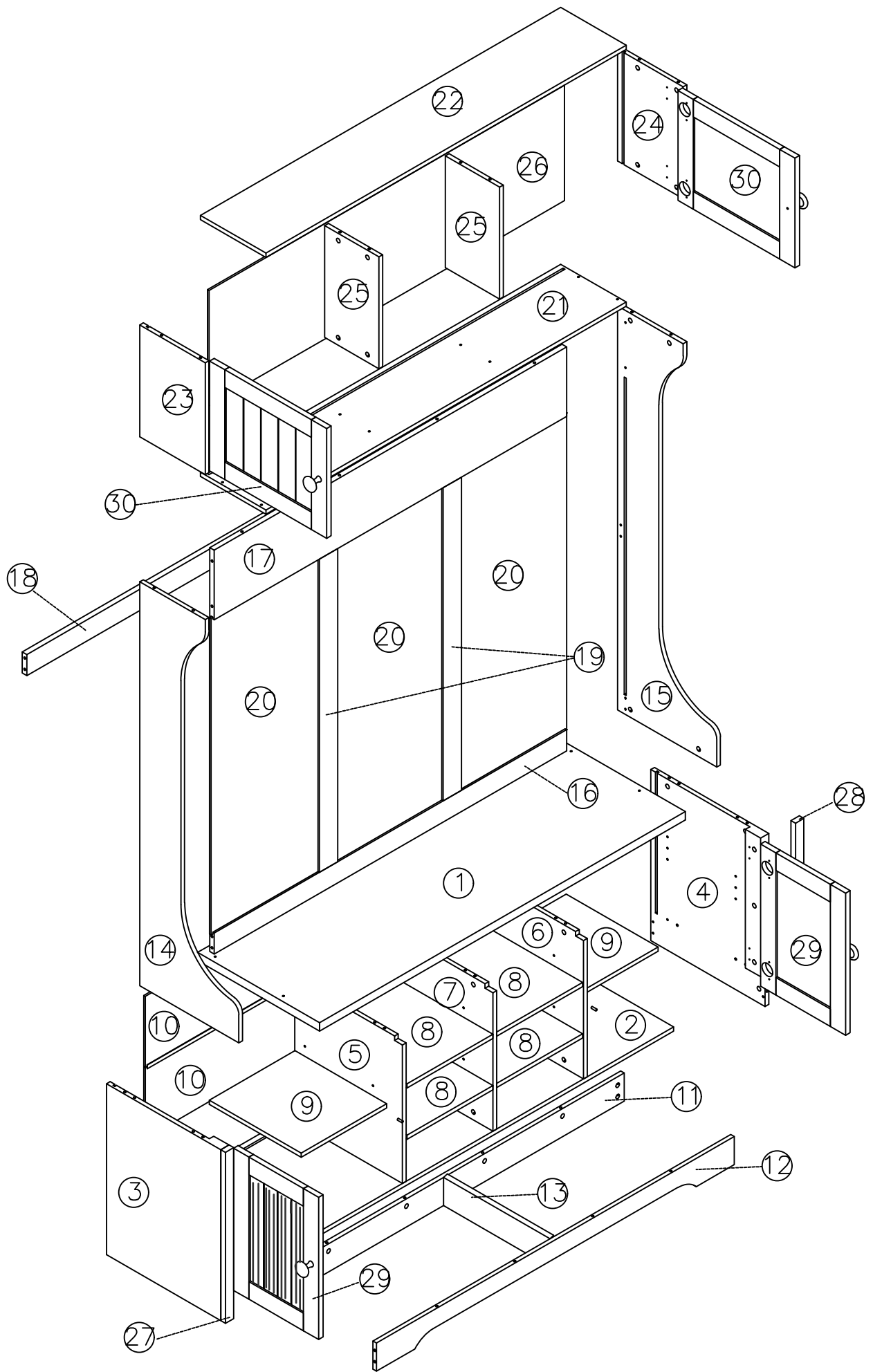


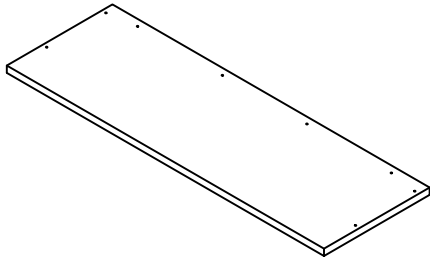
Disassembly and installation of accessories



A 91PCS  Ø6*28mm	B 91PCS  Ø12*9.5mm	C 20PCS  Ø6*30mm	D 94PCS  M3.5*12mm	E 8PCS 	F 42PCS 	G 8PCS  Ø6*60mm
H 8PCS  Ø6*10mm	I 2PCS 	J 2PCS 	K 24PCS 	L 4PCS  Ø28*25mm	M 4PCS  M4*18mm	N 1PCS 
O 8PCS  Ø15*11.5mm	P 2PCS  Ø4*25mm	Q 7PCS 	R 14PCS  Ø4*16mm	S 10PCS 	Spare screws	

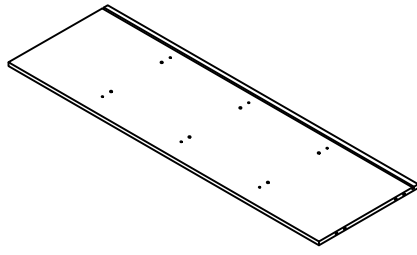


1



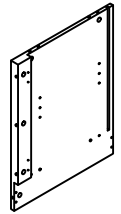
1PCS

2



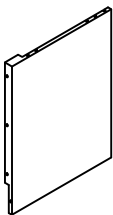
1PCS

3



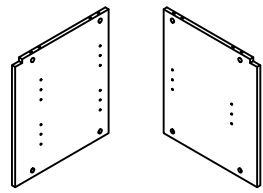
1PCS

4



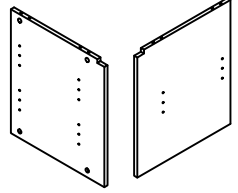
1PCS

5



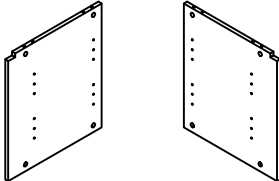
1PCS

6



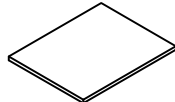
1PCS

7



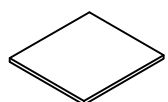
1PCS

8



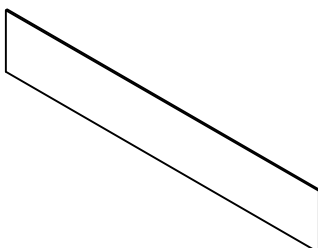
4PCS

9



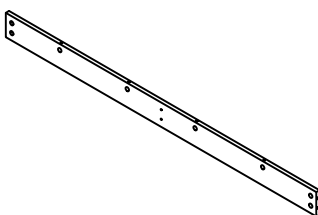
2PCS

10



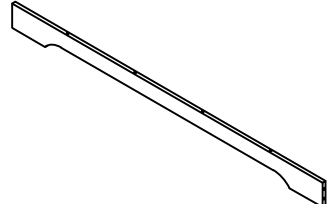
2PCS

11



1PCS

12



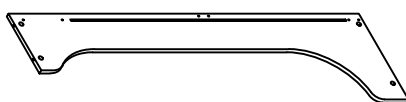
1PCS

13



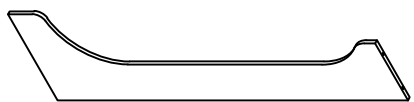
1PCS

14



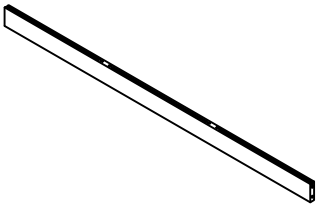
1PCS

15



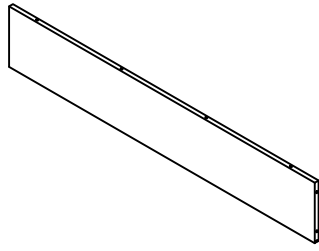
1PCS

16



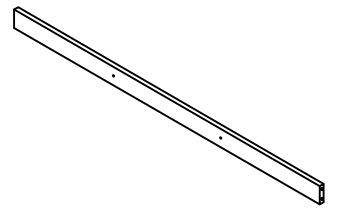
1PCS

17



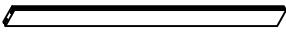
1PCS

18



1PCS

19



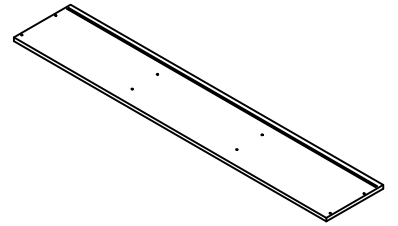
2PCS

20



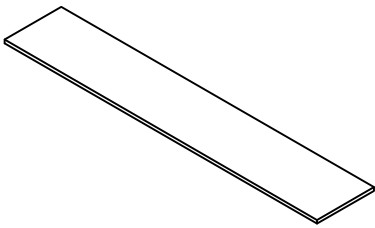
3PCS

21



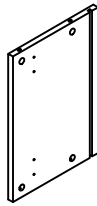
1PCS

22



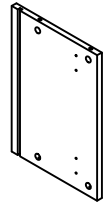
1PCS

23



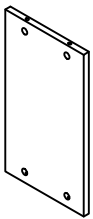
1PCS

24



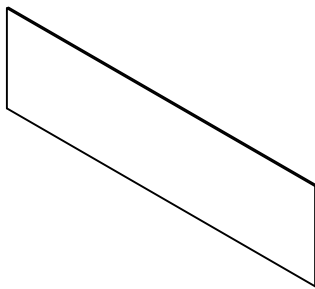
1PCS

25



2PCS

26



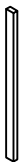
1PCS

27



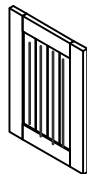
1PCS

28



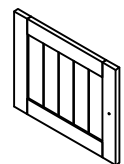
1PCS

29



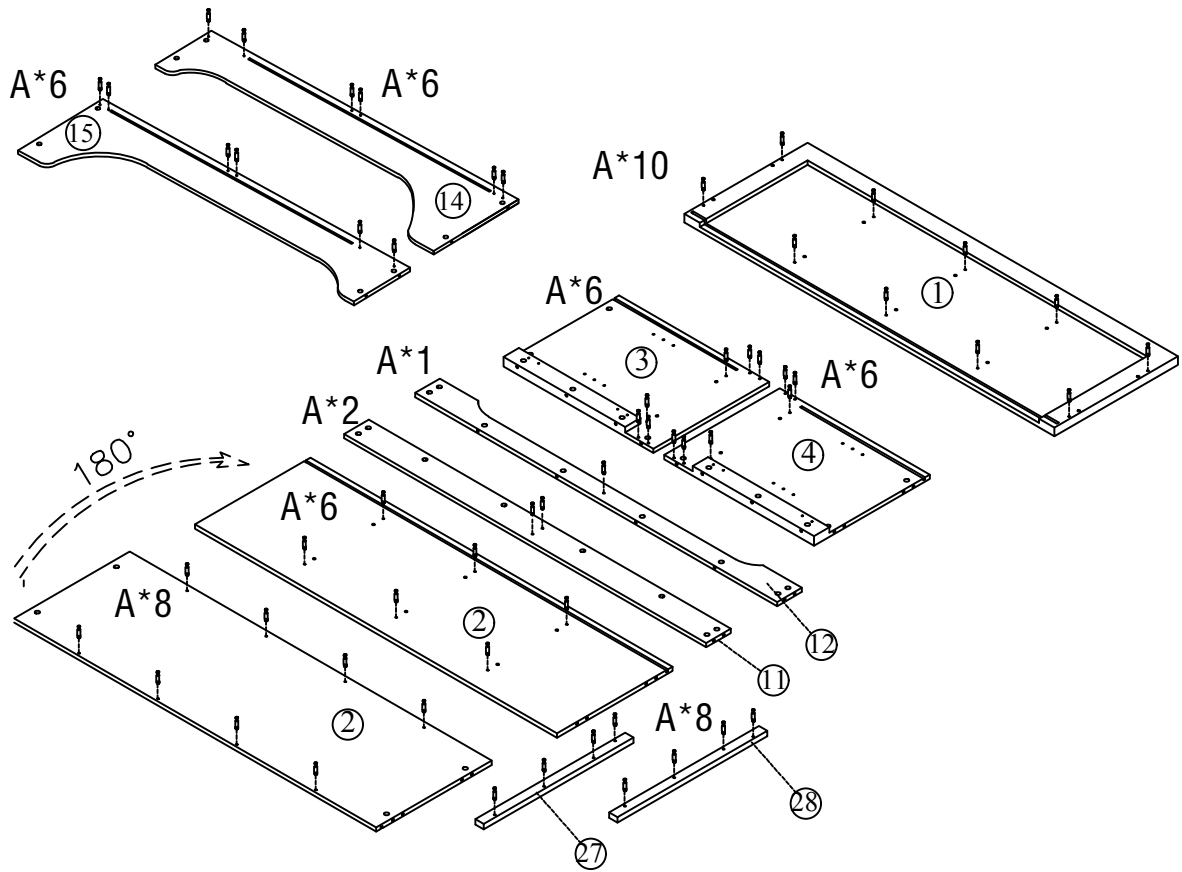
2PCS

30



2PCS

STEP 1

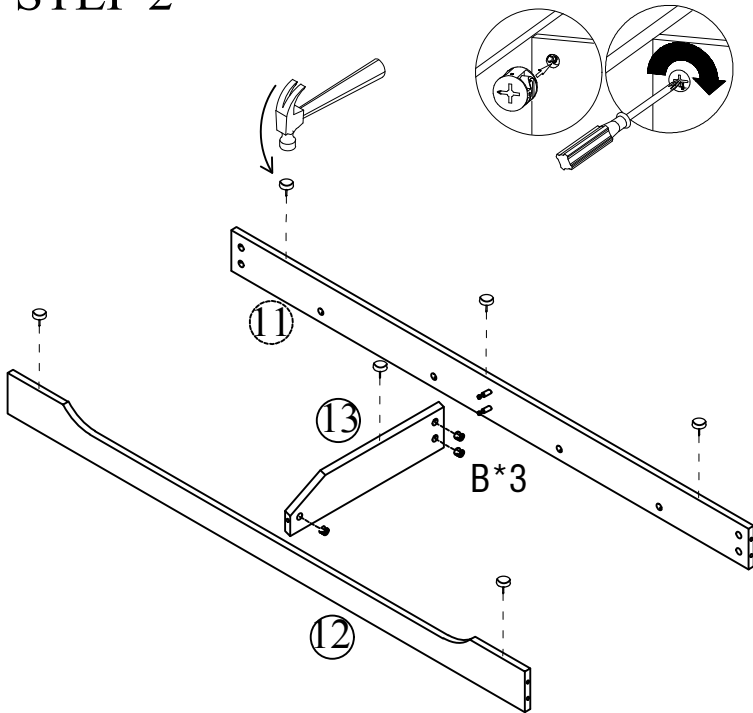


A 59PCS



Ø6*28mm

STEP 2



B 3PCS

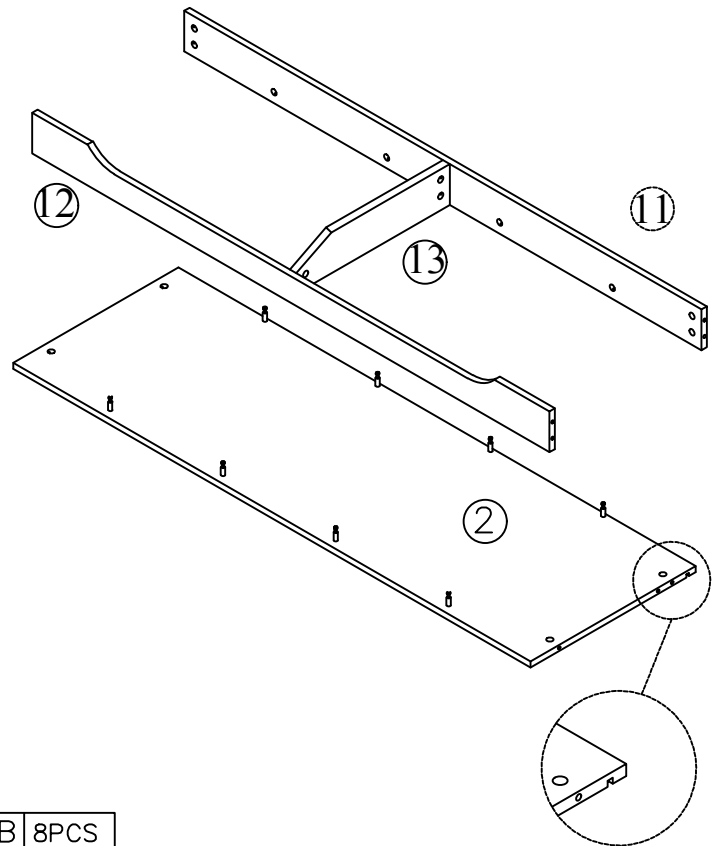


Ø12*9.5mm

S 6PCS



STEP 3

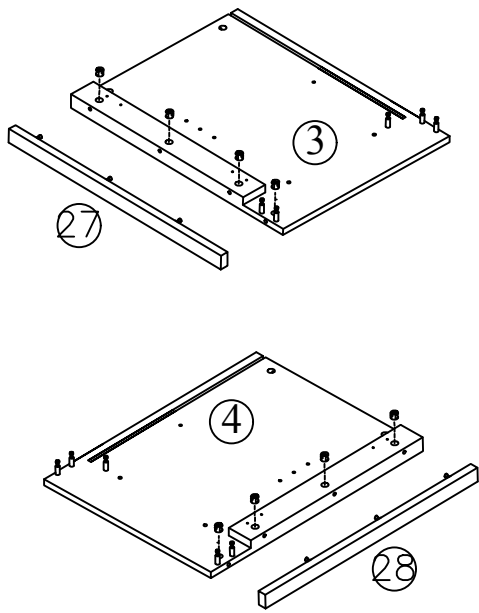



B 8PCS



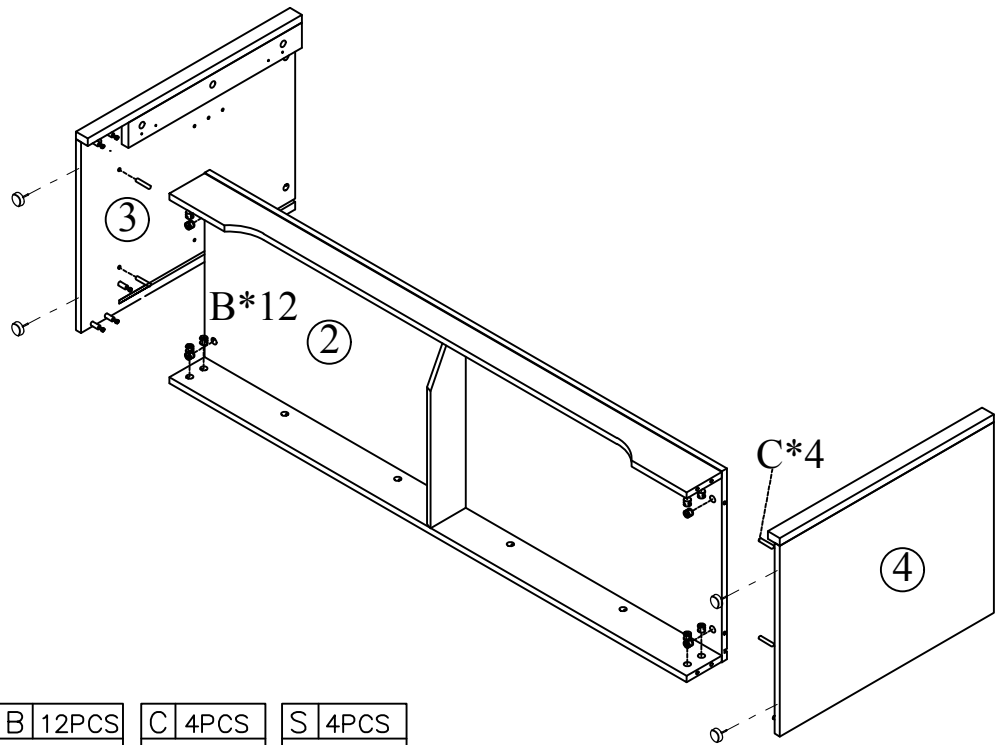
Ø12*9.5mm




STEP 3



B	8PCS
	
Ø12*9.5mm	

STEP 4

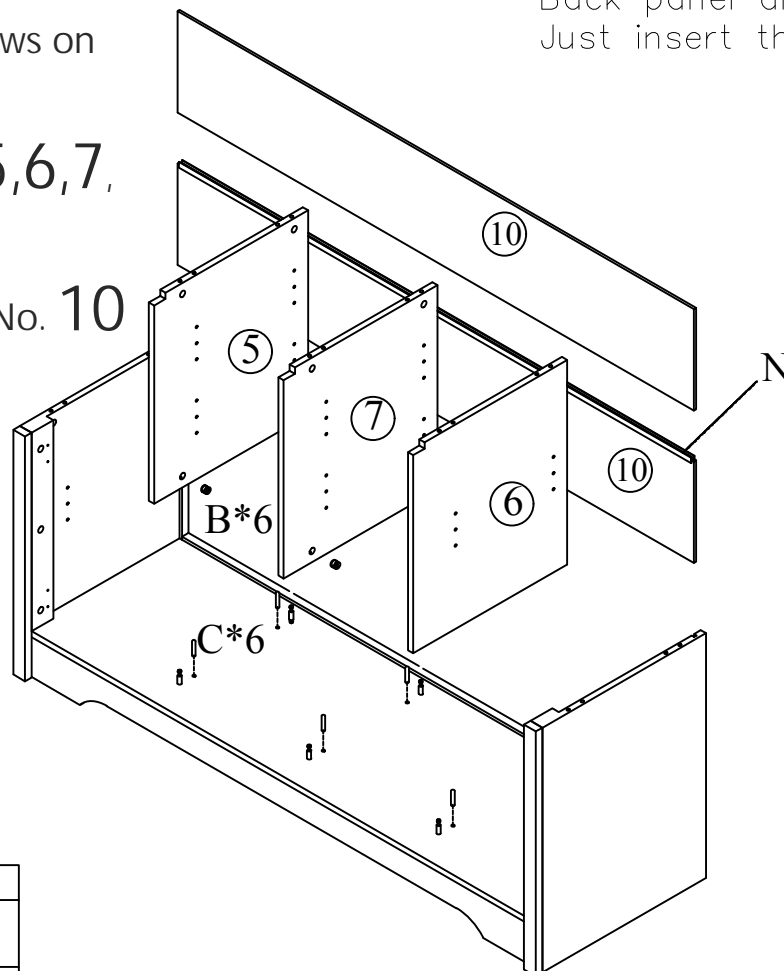





B	12PCS	C	4PCS	S	4PCS
					
Ø12*9.5mm		Ø6*30mm			

STEP 8

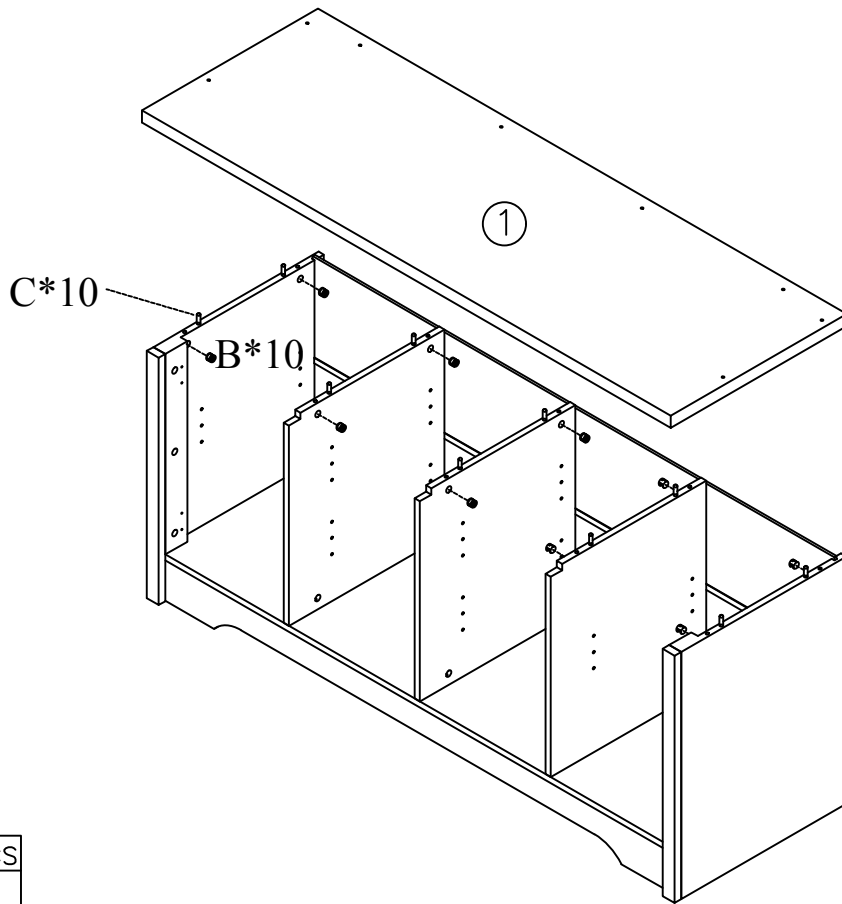
First, tighten the screws on the board numbered 5,6,7, and then insert board No. 10 and accessory N.



Back panel and accessory N. Just insert the back panel



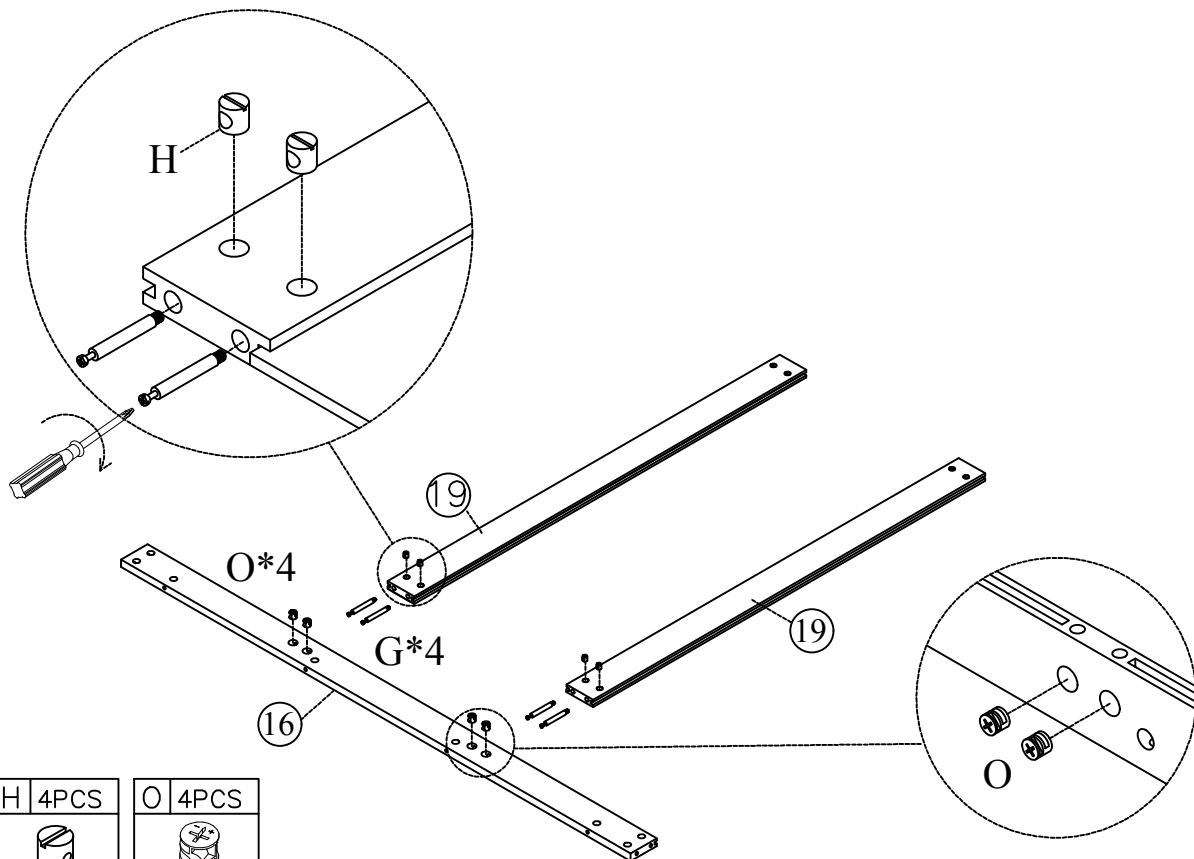
B	6PCS	C	6PCS	N	1PCS
					
Ø12*9.5mm		Ø6*30mm			




STEP 6



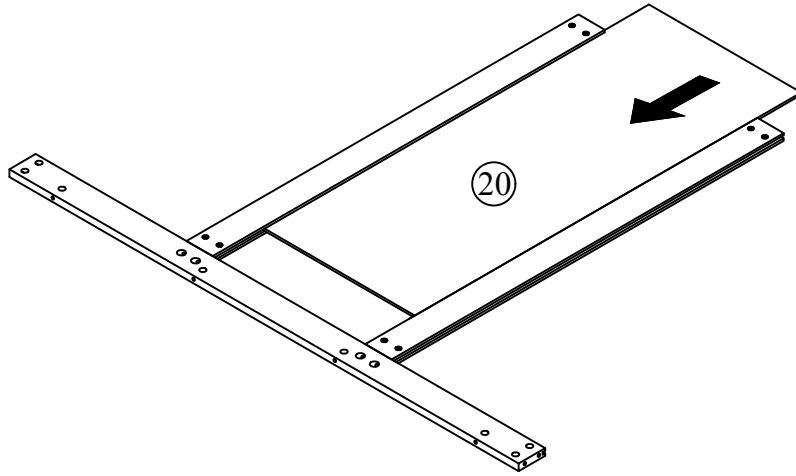
B 10PCS	C 10PCS
	
Ø12*9.5mm	Ø6*30mm

STEP 7

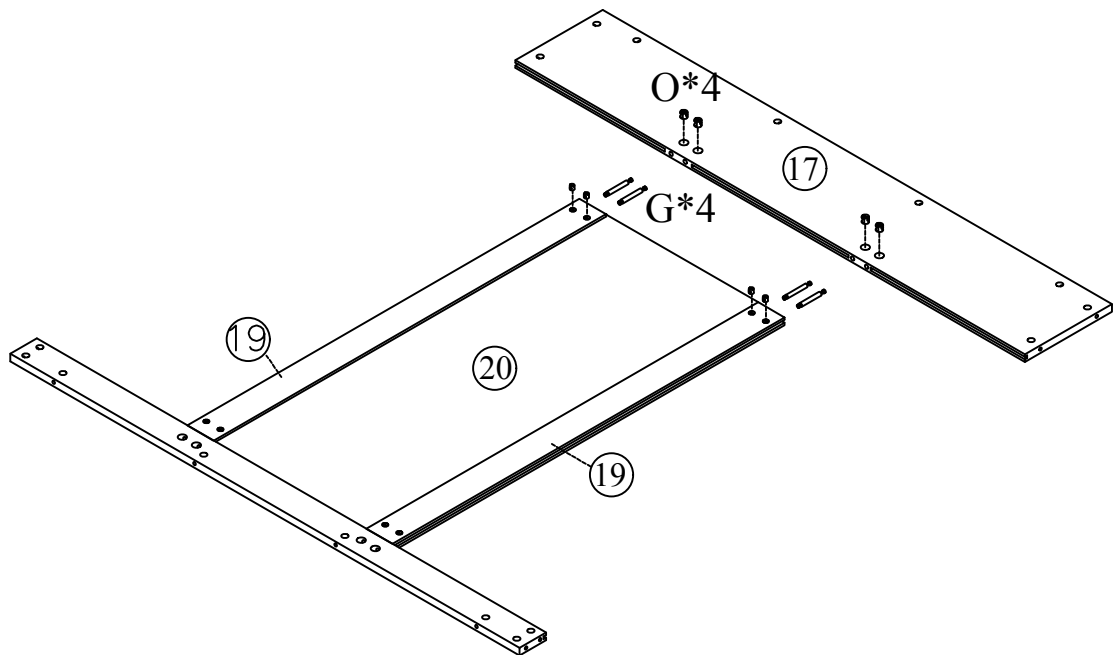


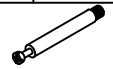


G 4PCS	H 4PCS	O 4PCS
		
	M4*25mm	Ø15*11.5mm

STEP 8

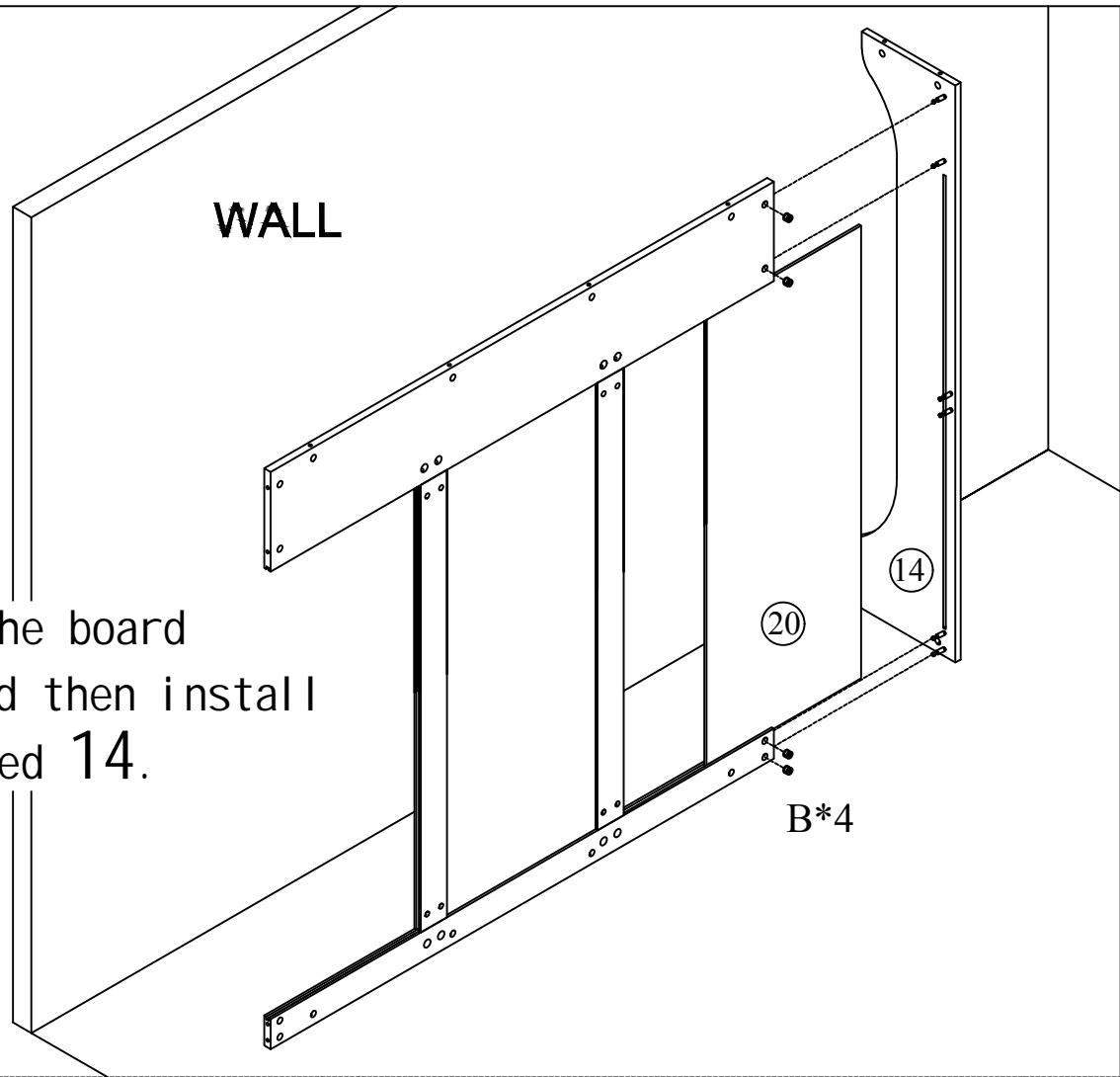


STEP 9




G 4PCS	H 4PCS	O 4PCS
		
	M4*25mm	Ø15*11.5mm

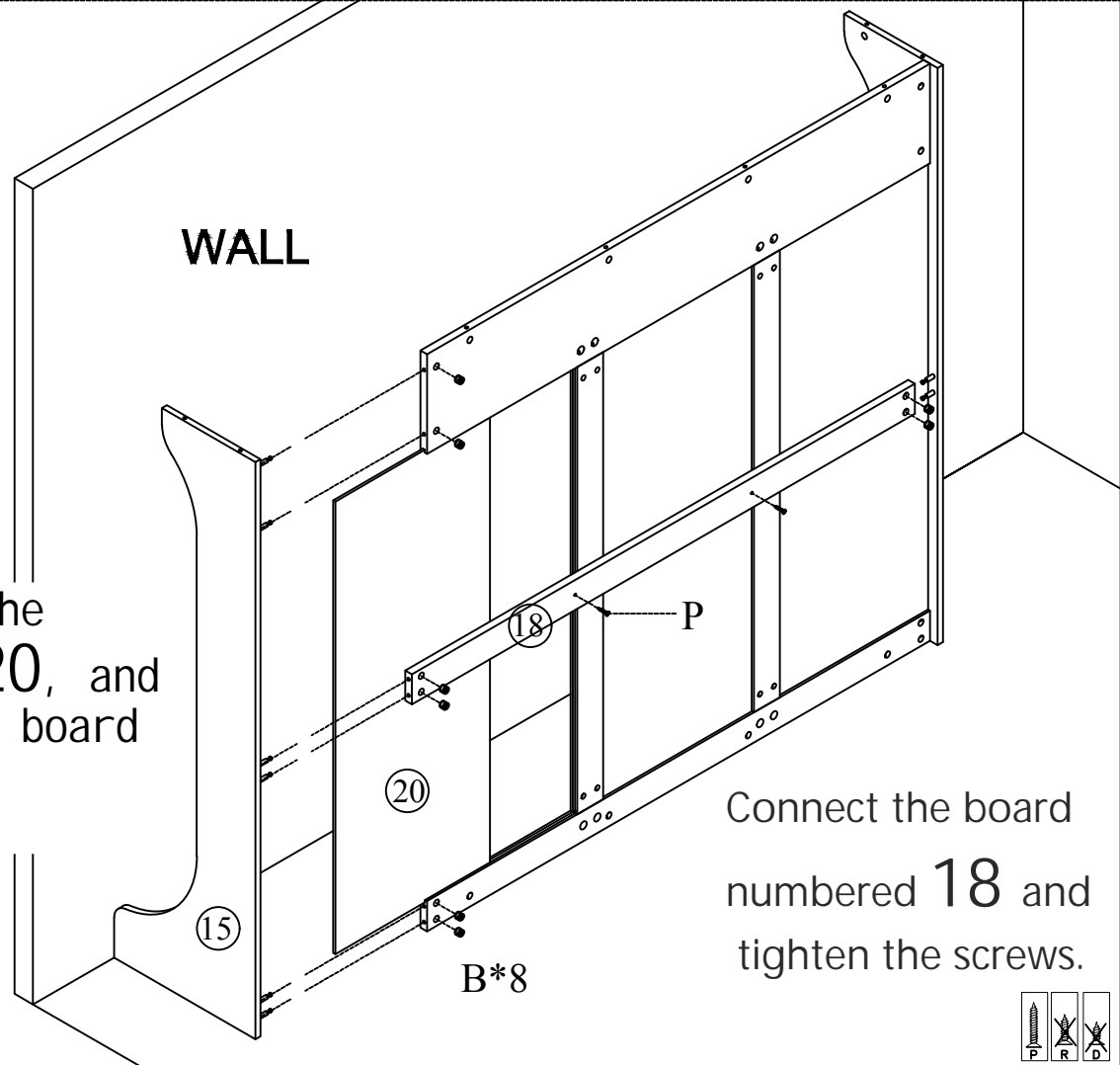
STEP 10



First, install the board numbered 20, and then install the board numbered 14.



B	4PCS
	
$\varnothing 12 \times 9.5 \text{mm}$	

STEP 11



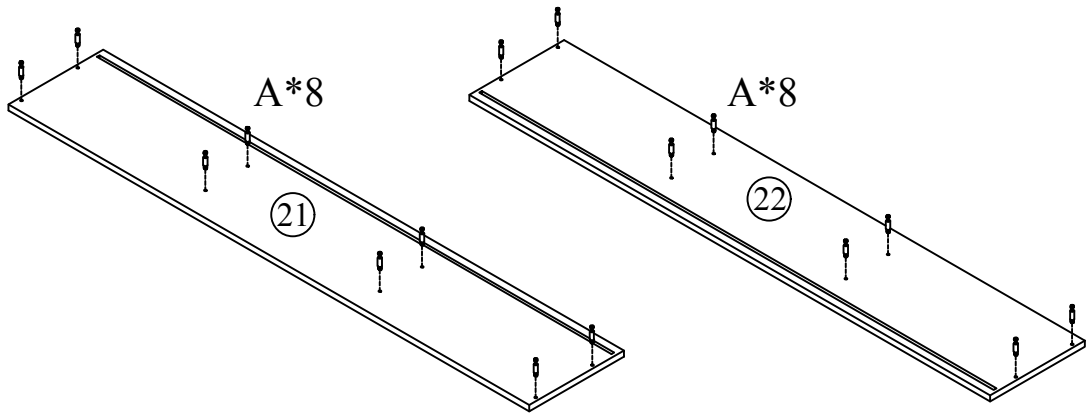
First, install the board numbered 20, and then install the board numbered 15.

Connect the board numbered 18 and tighten the screws.

B	8PCS	P	2PCS
			
$\varnothing 12 \times 9.5 \text{mm}$		$\varnothing 4 \times 25 \text{mm}$	



STEP 12

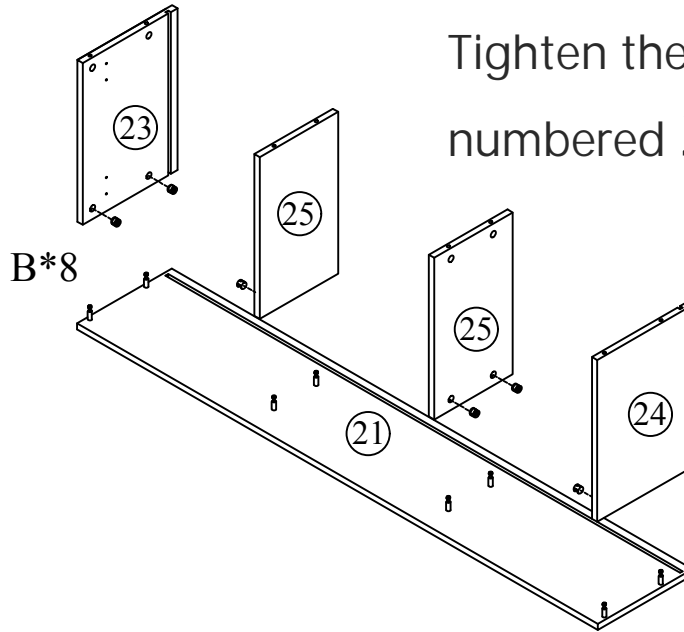


A 16PCS



Ø6*28mm

STEP 13



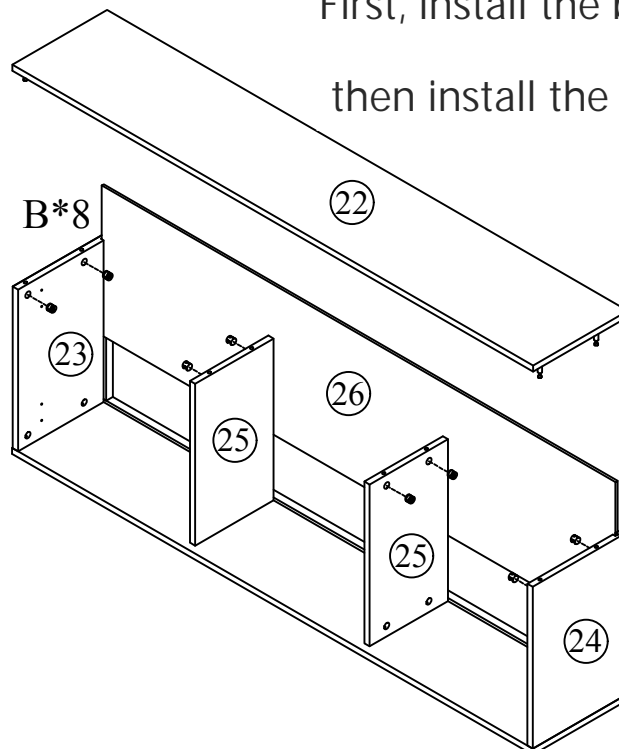
Tighten the screws on the boards numbered 23, 24, 25,25.

B 8PCS



Ø12*9.5mm

STEP 14



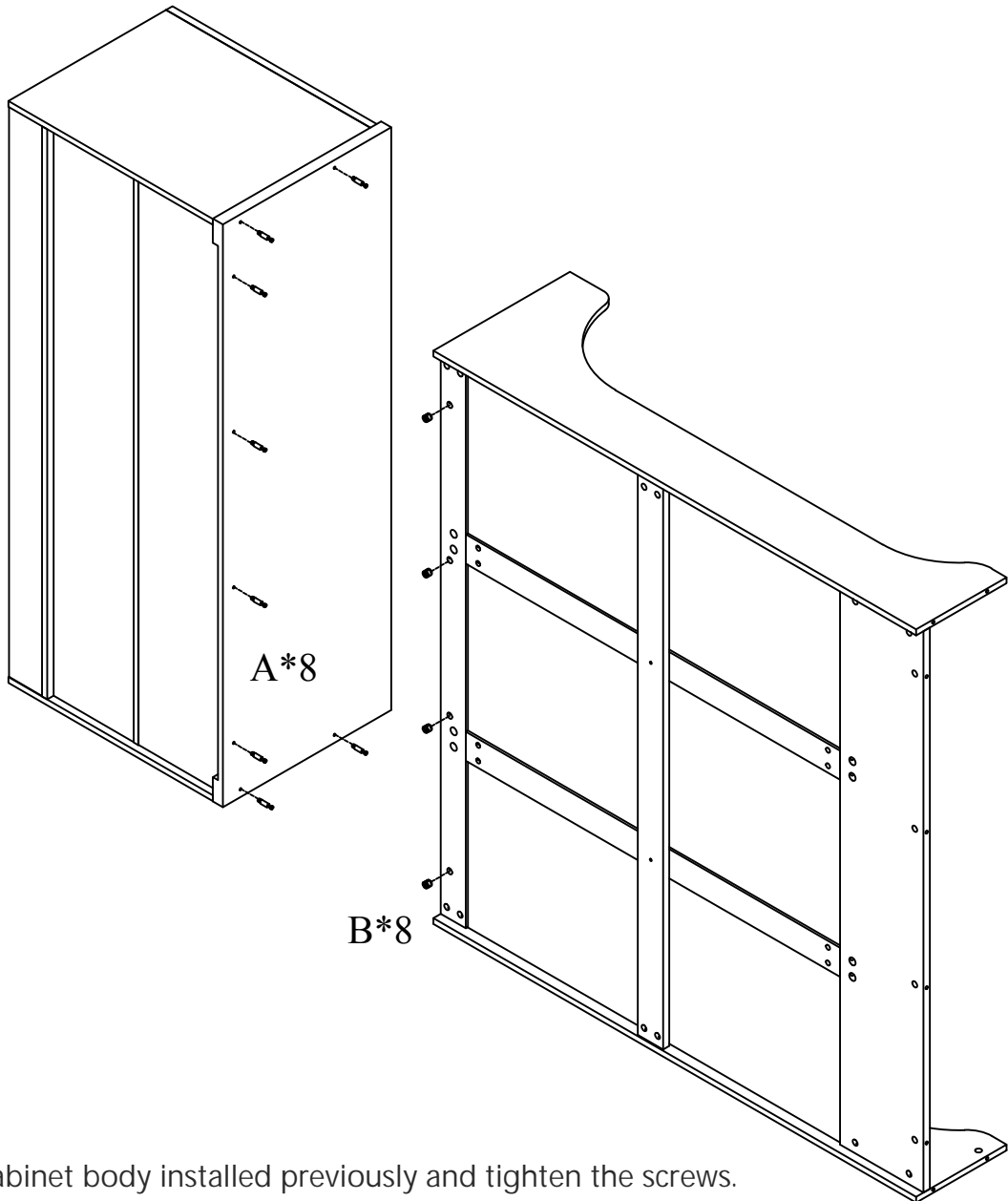
First, install the board numbered 26, and then install the board numbered 22.

B 8PCS





Ø12*9.5mm

STEP 15



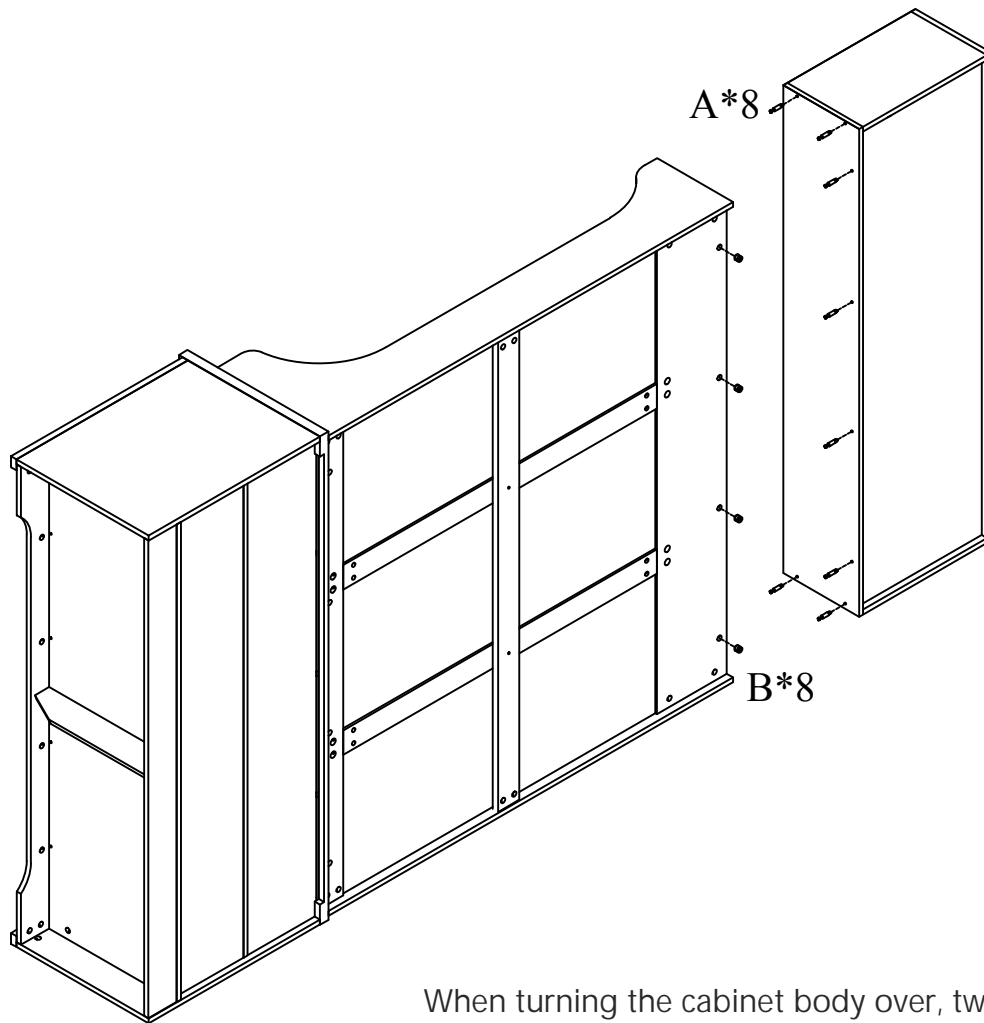
Connect the cabinet body installed previously and tighten the screws.

When turning the cabinet body over, two people are needed to install it together.
Please pay attention to safety.



A	8PCS	B	8PCS
			
Ø6*28mm		Ø12*9.5mm	

STEP 16

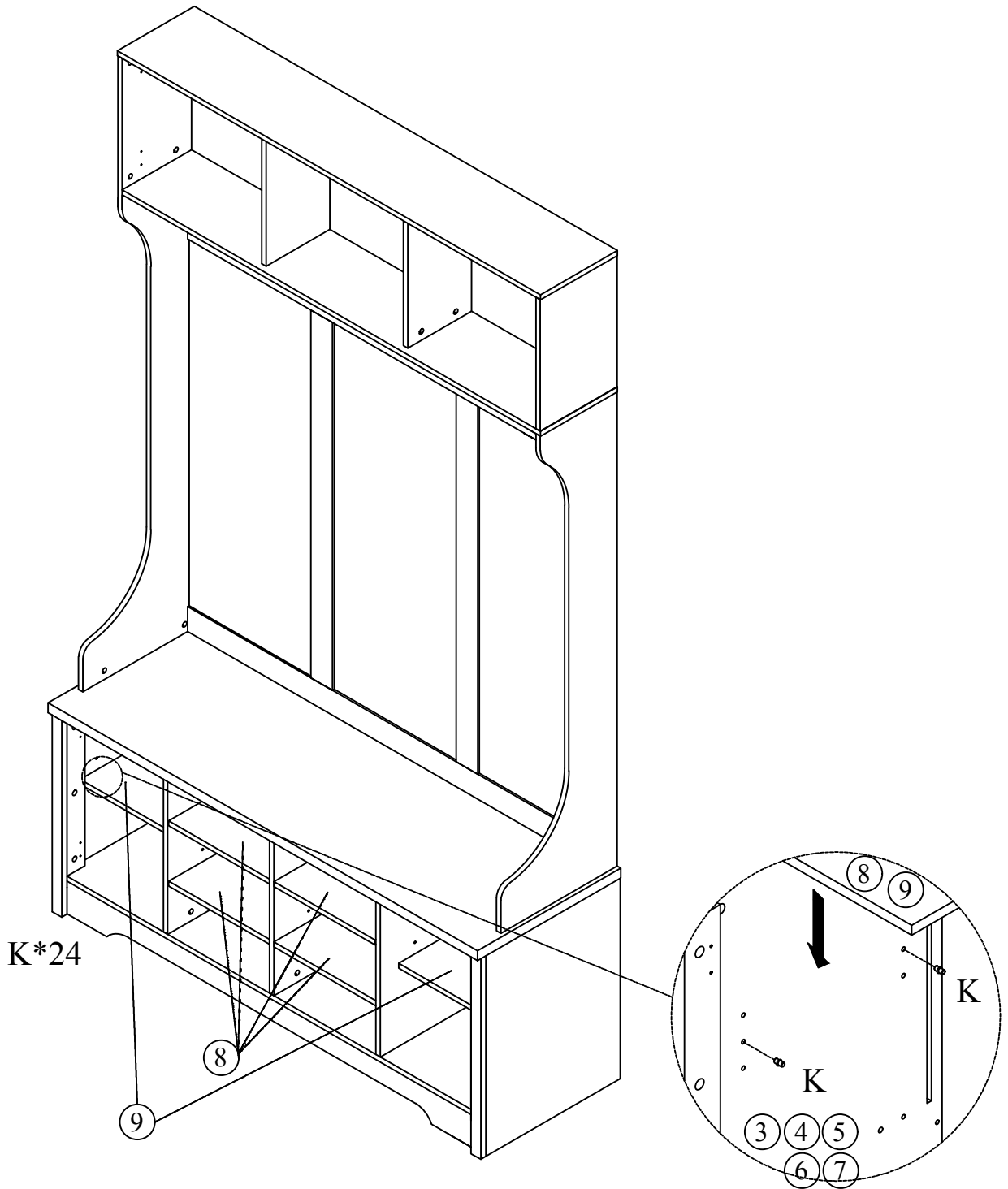
Connect the cabinet body installed previously and tighten the screws.



When turning the cabinet body over, two people are needed to install it together. Please pay attention to safety.

A 8PCS	B 8PCS
	
Ø6*28mm	Ø12*9.5mm

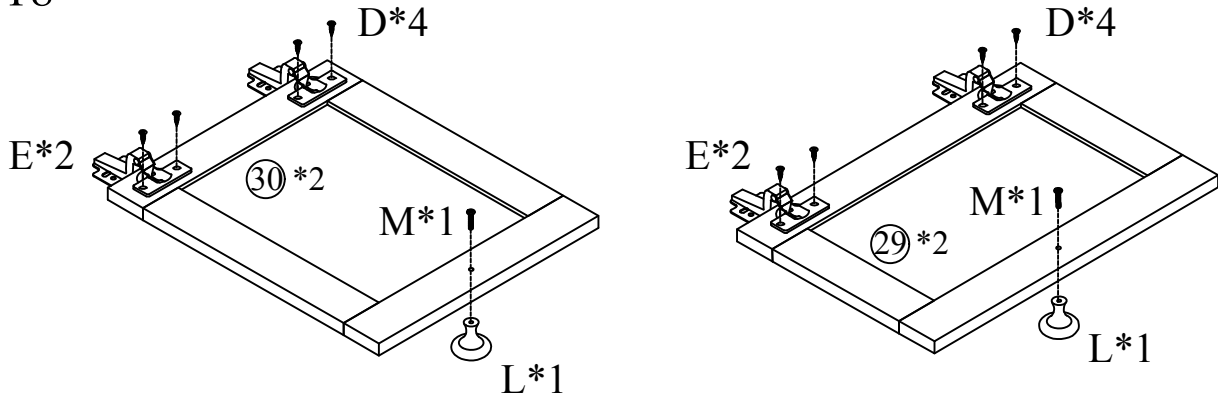
STEP 17




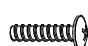


K 24PCS



STEP 18



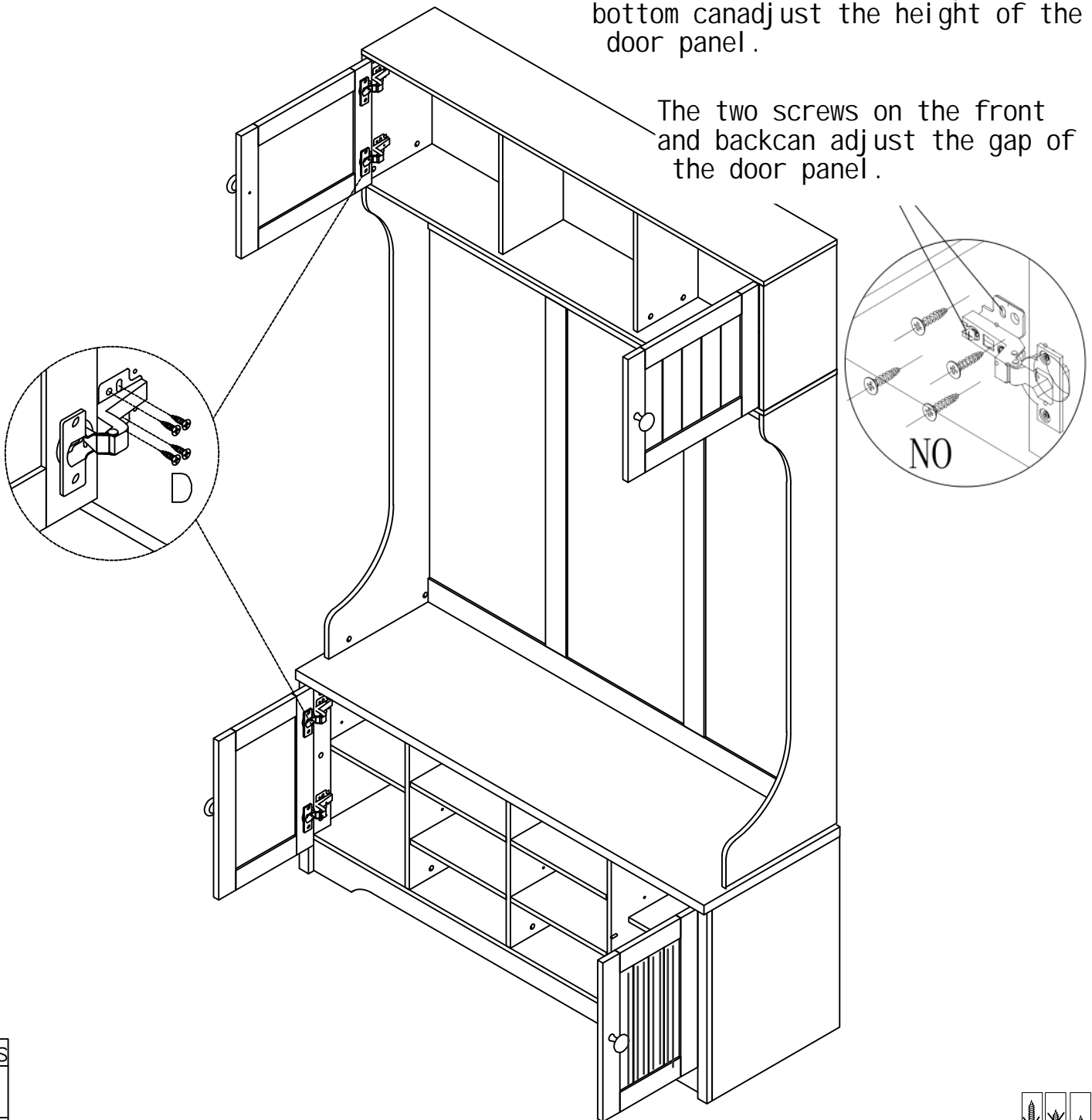
D 16PCS	E 8PCS	L 4PCS	M 4PCS
			
M3.5*12mm		Ø28*25mm	M4*18mm




STEP 19

The screw holes on the top and bottom can adjust the height of the door panel.

The two screws on the front and back can adjust the gap of the door panel.

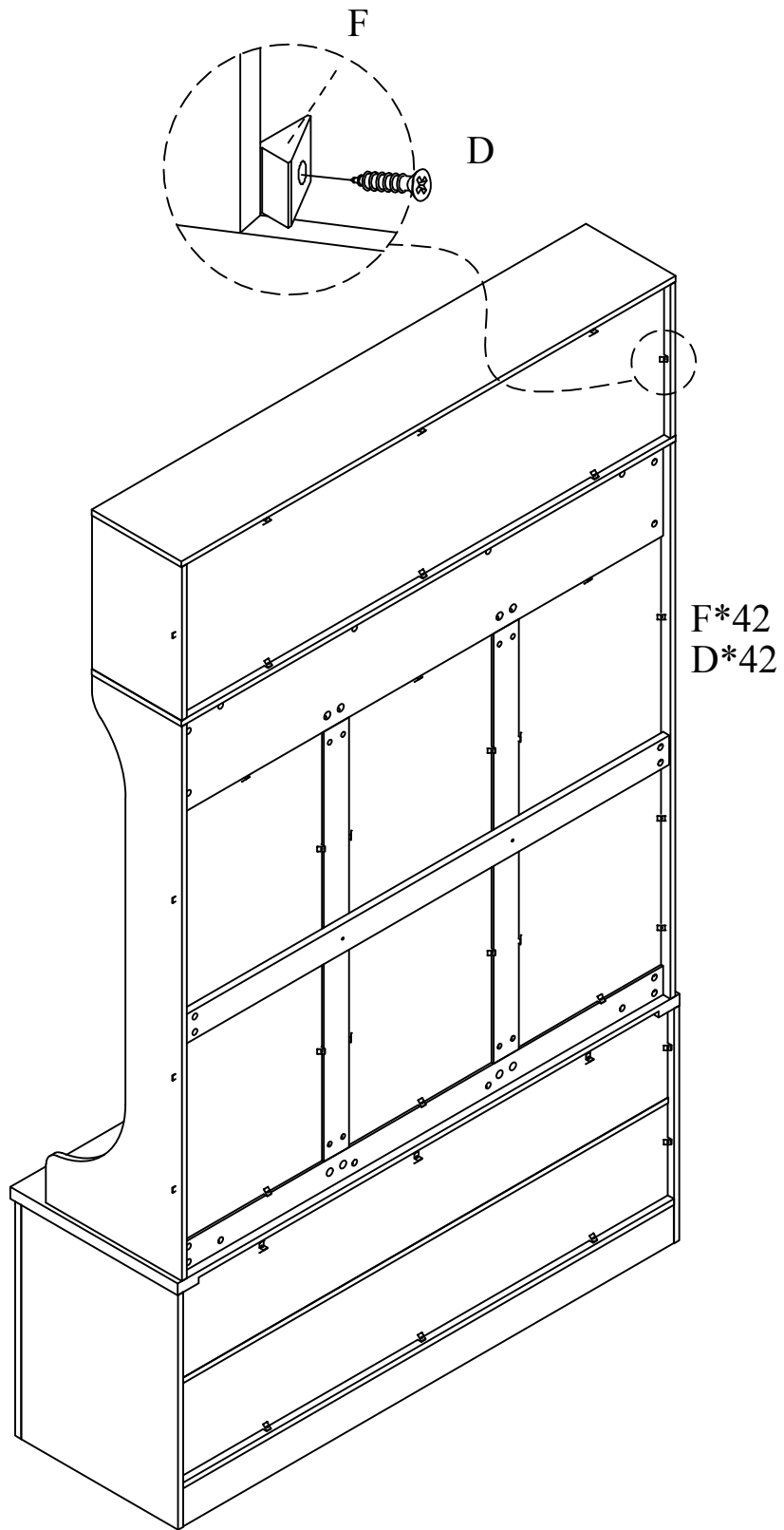


D 32PCS

M3.5*12mm





STEP 20

Use screw D to tighten the fittings numbered F so that the cabinet will be more solid.



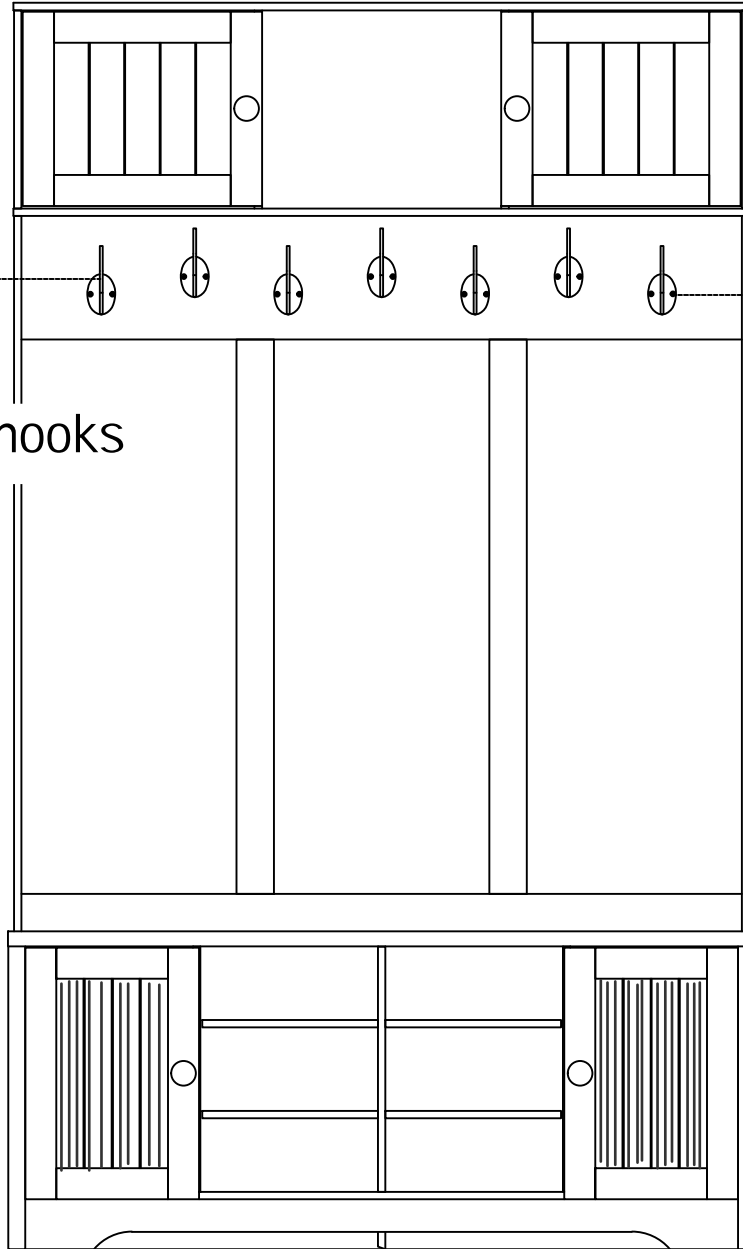
F*42
D*42

F	42PCS
	

D	42PCS
	
M3.5*12mm	





STEP 21



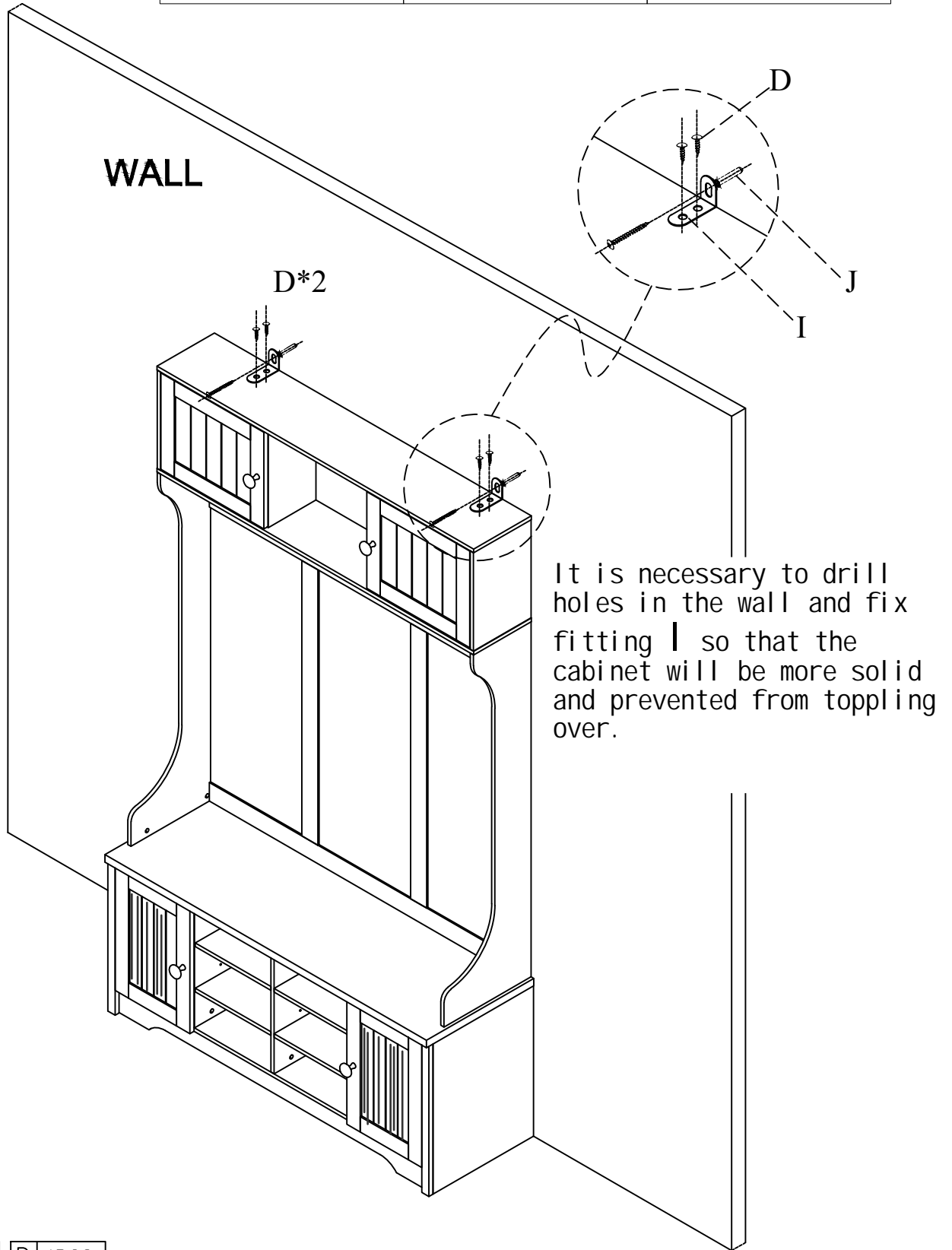
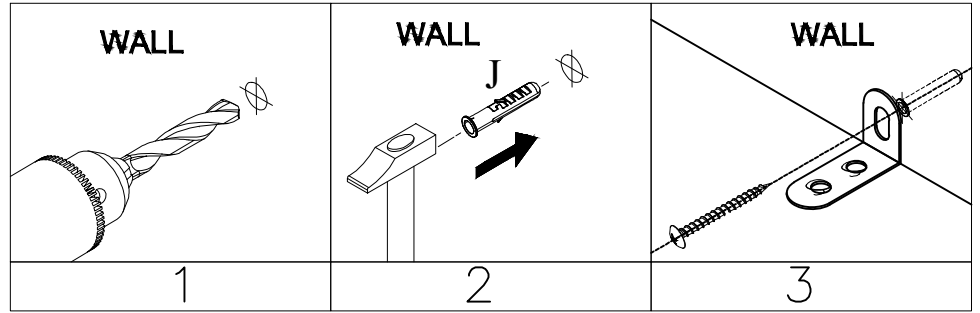
Q*7

R*14


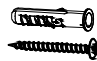

Install the hooks

Q 7PCS	R 14PCS
	
	Ø4*16mm

STEP 22



It is necessary to drill holes in the wall and fix fitting I so that the cabinet will be more solid and prevented from toppling over.

I 2PCS	J 2PCS	D 4PCS
		
		M3.5*12mm

