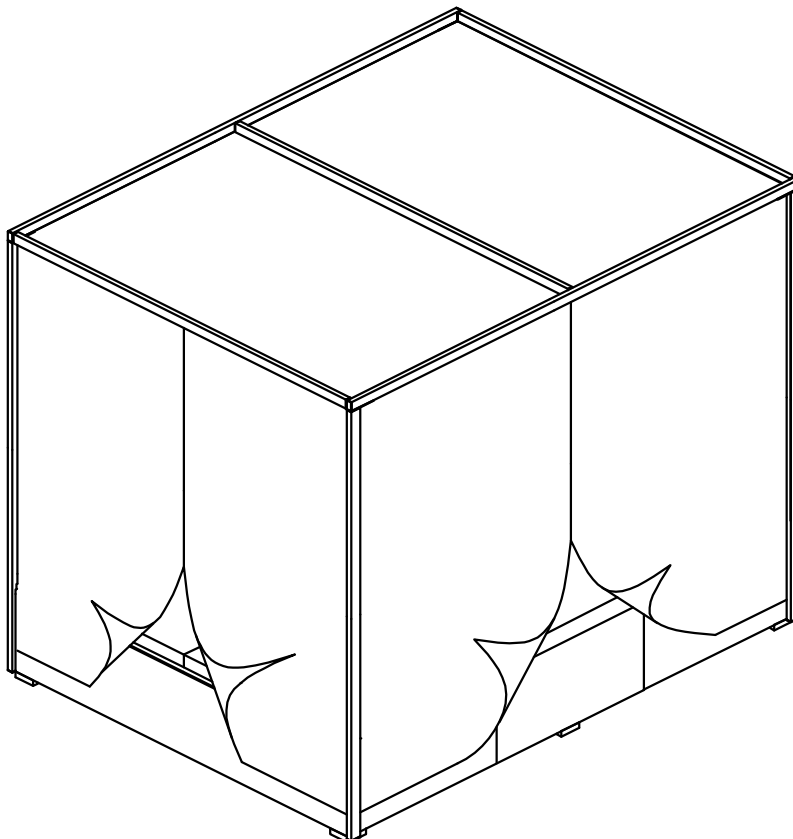


ASSEMBLY INSTRUCTIONS

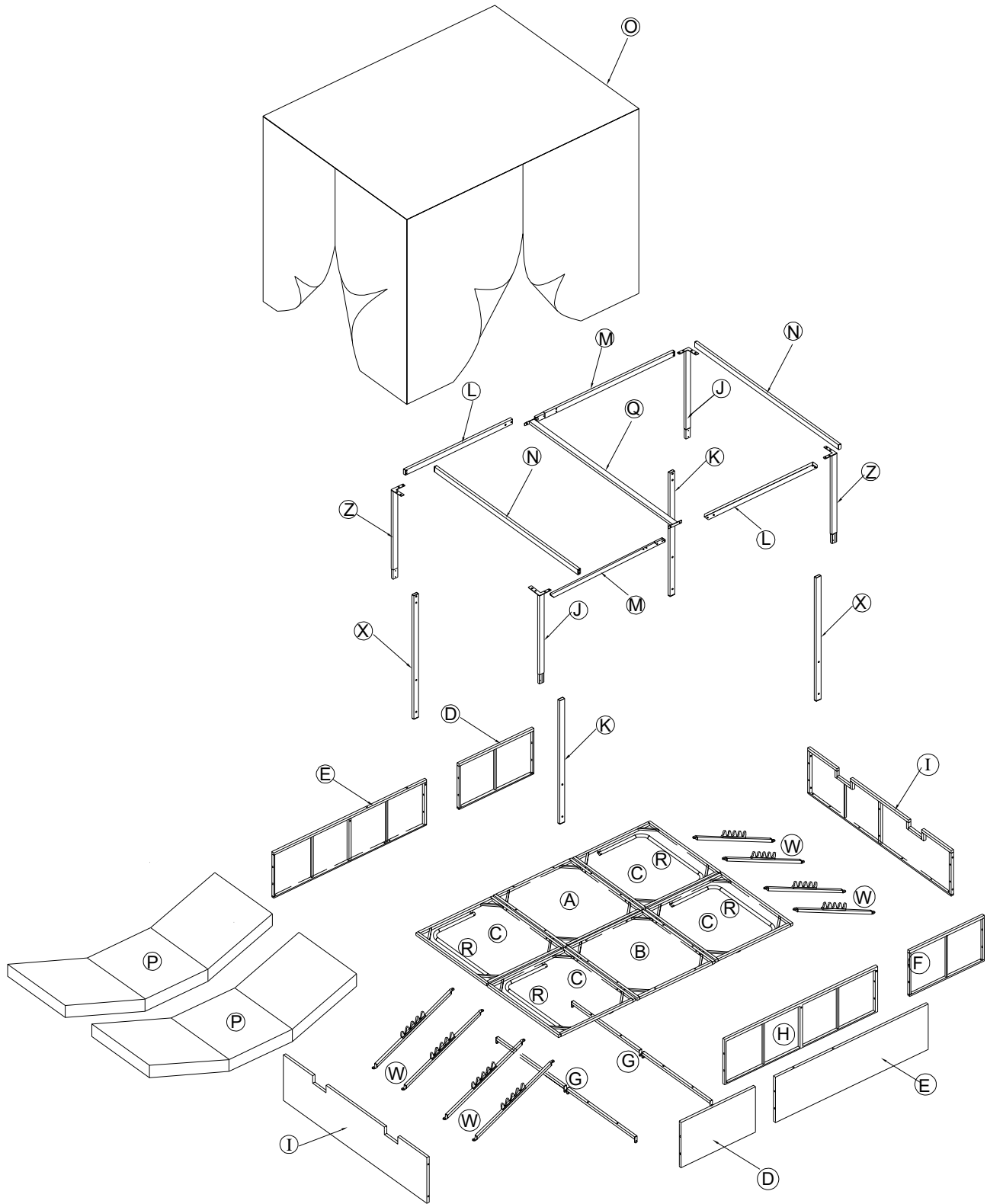
ITEM: N711P244890/N711P244891

IMPORTANT NOTE

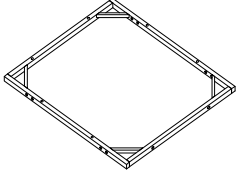
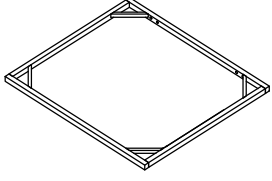
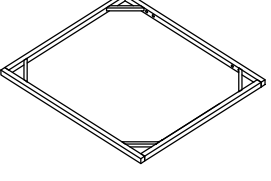
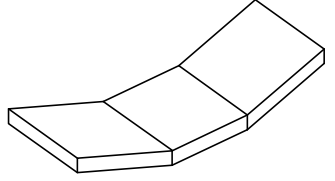
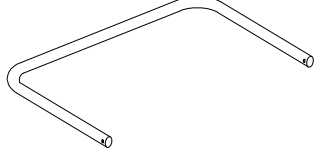
- ** Place all parts on a clean and smooth surface such as a rug or carpet to avoid the parts from being scratched.
- ** Before you begin, please review the assembly instruction step by step.
- ** Return & Warranty policy:
 - We strive to offer the highest quality products. We also provide positive solutions with replacements or refund if needed.
 - If the item is damaged or defective, please take photos to show the problem and email to the seller.
 - Please do not return back the products before contact the seller.



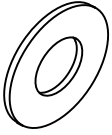
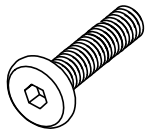
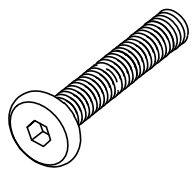
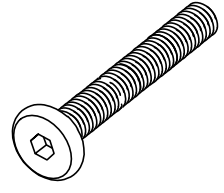
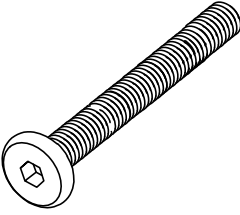
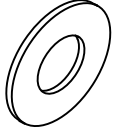
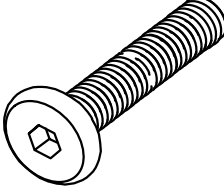
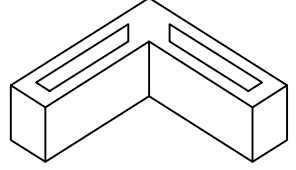
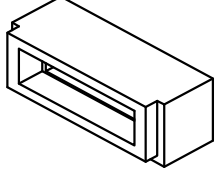
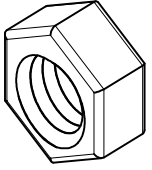
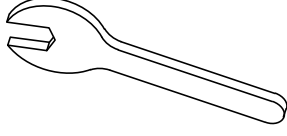
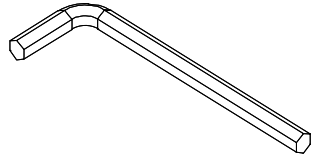
PART LIST



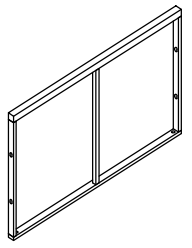
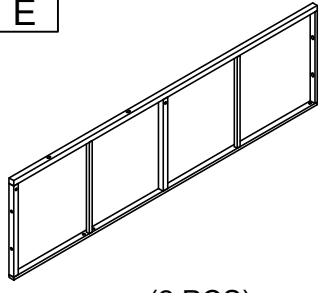
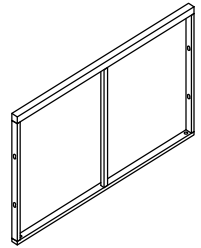
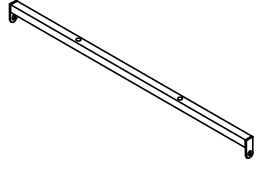
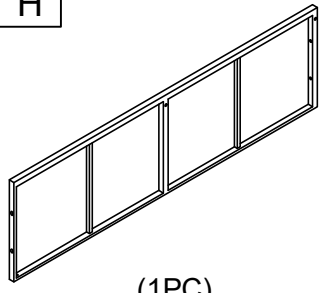
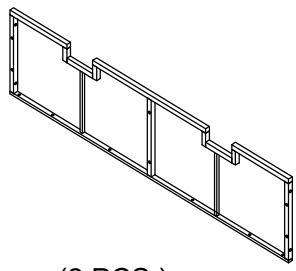

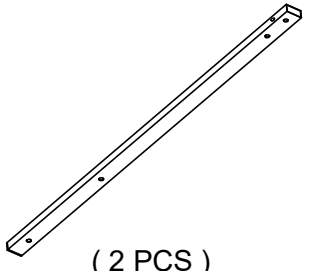
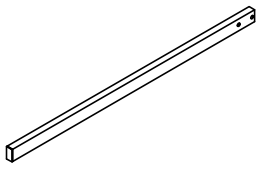
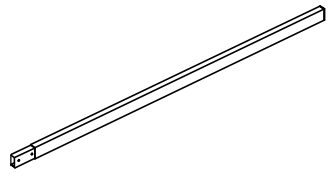
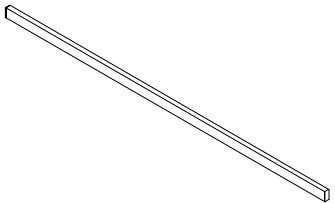
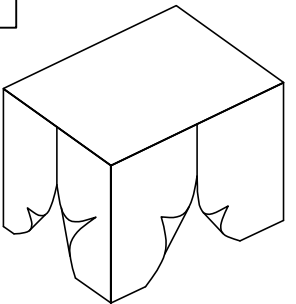
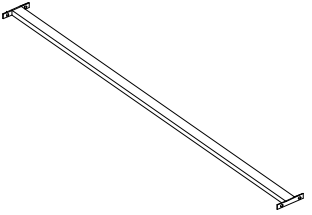
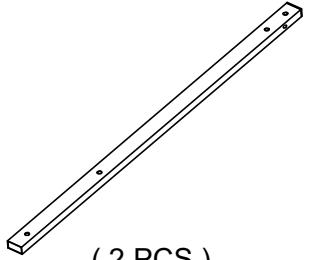
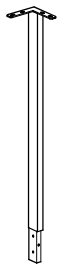
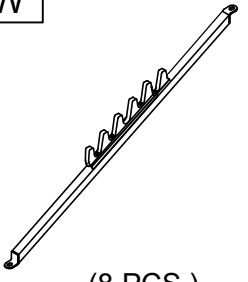
PART LISTS BOX 1: N711P244890

A  (1 PC)	B  (1 PC)	C  (4 PCS)	P  (2 PCS)
R  (4 PCS)			

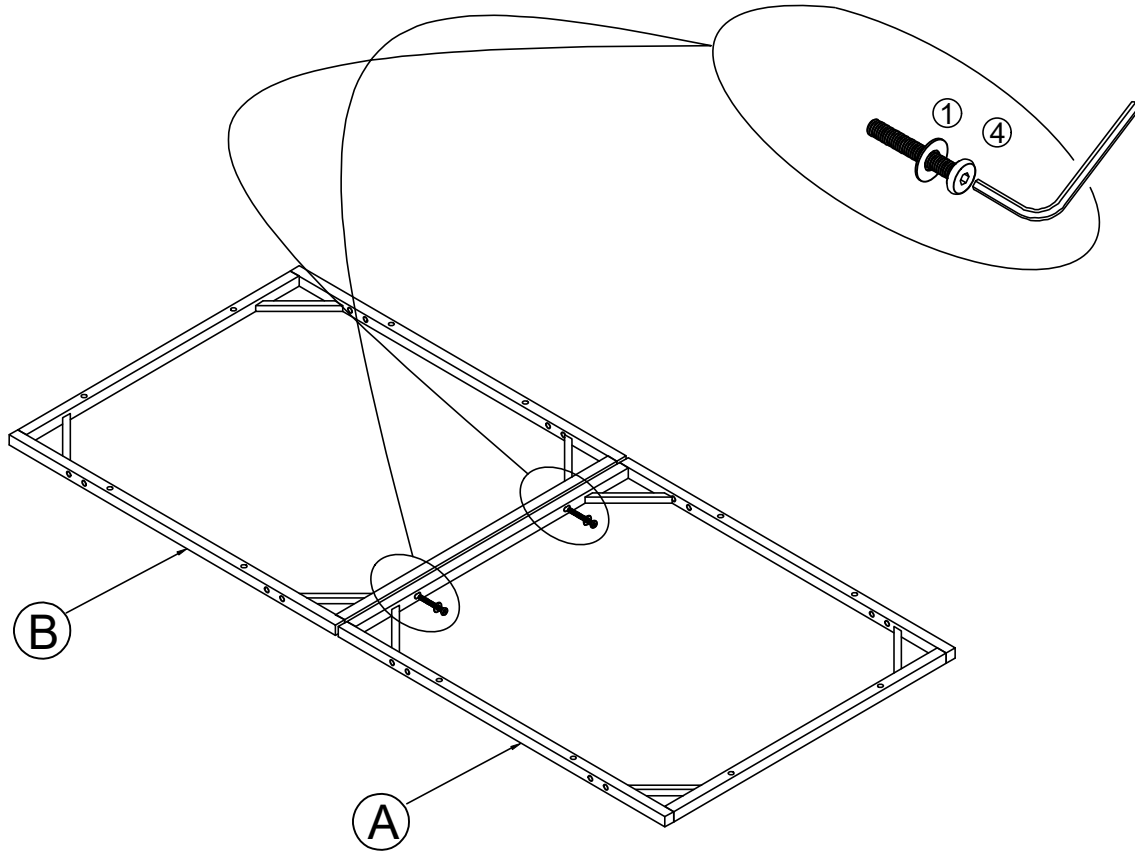
HARDWARE LIST : N711P244891

1  (ø16*1: 94 PCS)	2  (M6x20: 66 PCS)	3  (M6x30: 18 PCS)	4  (M6x40: 40 PCS)
5  (M6x55: 2 PCS)	6  (ø23*1: 8 PCS)	7  (M8x40: 8 PCS)	8  (4 PCS)
9  (5 PCS)	10  (2 PCS)	11  (1 PC)	 (2 PCS)

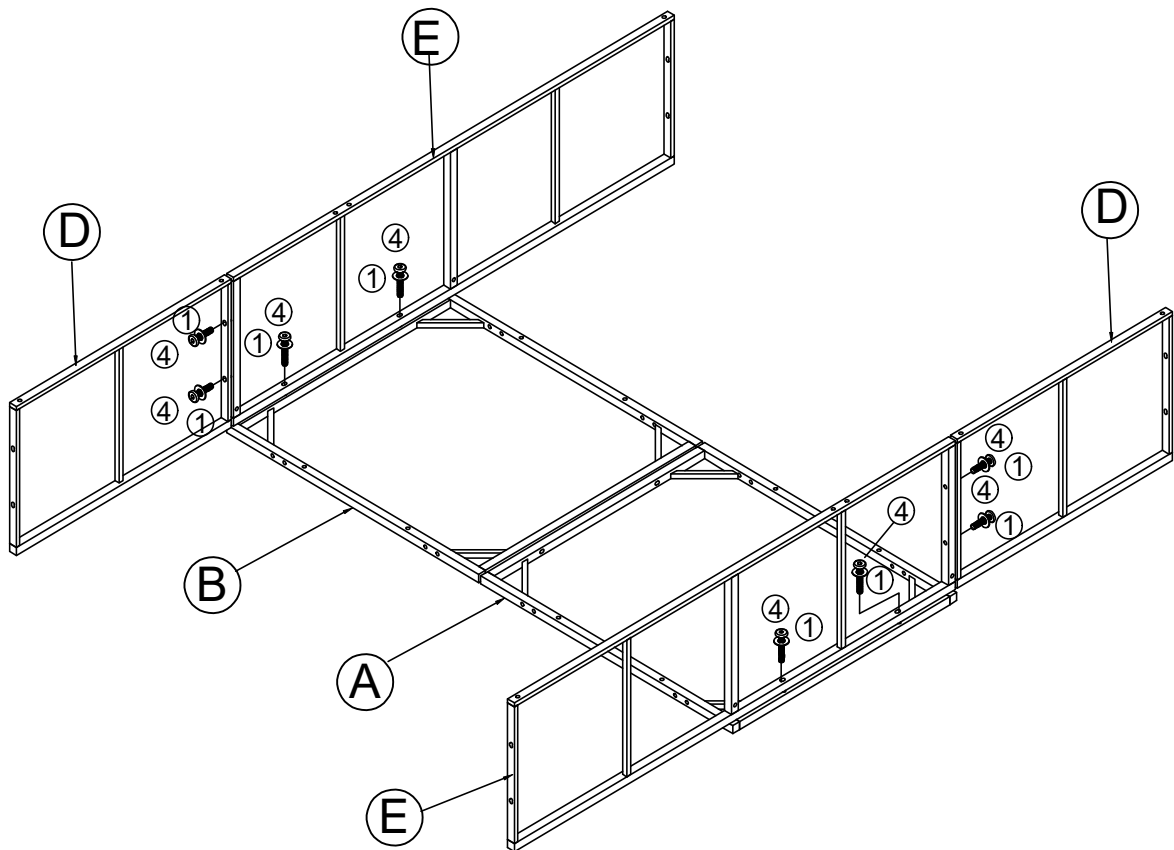
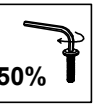
PART LISTS BOX 2: N711P244891

<p>D</p>  <p>(2 PCS)</p>	<p>E</p>  <p>(2 PCS)</p>	<p>F</p>  <p>(1PC)</p>	<p>G</p>  <p>(4 PCS)</p>
<p>H</p>  <p>(1PC)</p>	<p>I</p>  <p>(2 PCS)</p>	<p>J</p>  <p>(2 PCS)</p>	<p>K</p>  <p>(2 PCS)</p>
<p>L</p>  <p>(2 PCS)</p>	<p>M</p>  <p>(2 PCS)</p>	<p>N</p>  <p>(2 PCS)</p>	<p>O</p>  <p>(1 PC)</p>
<p>Q</p>  <p>(1 PC)</p>	<p>X</p>  <p>(2 PCS)</p>	<p>Z</p>  <p>(2 PCS)</p>	<p>W</p>  <p>(8 PCS)</p>

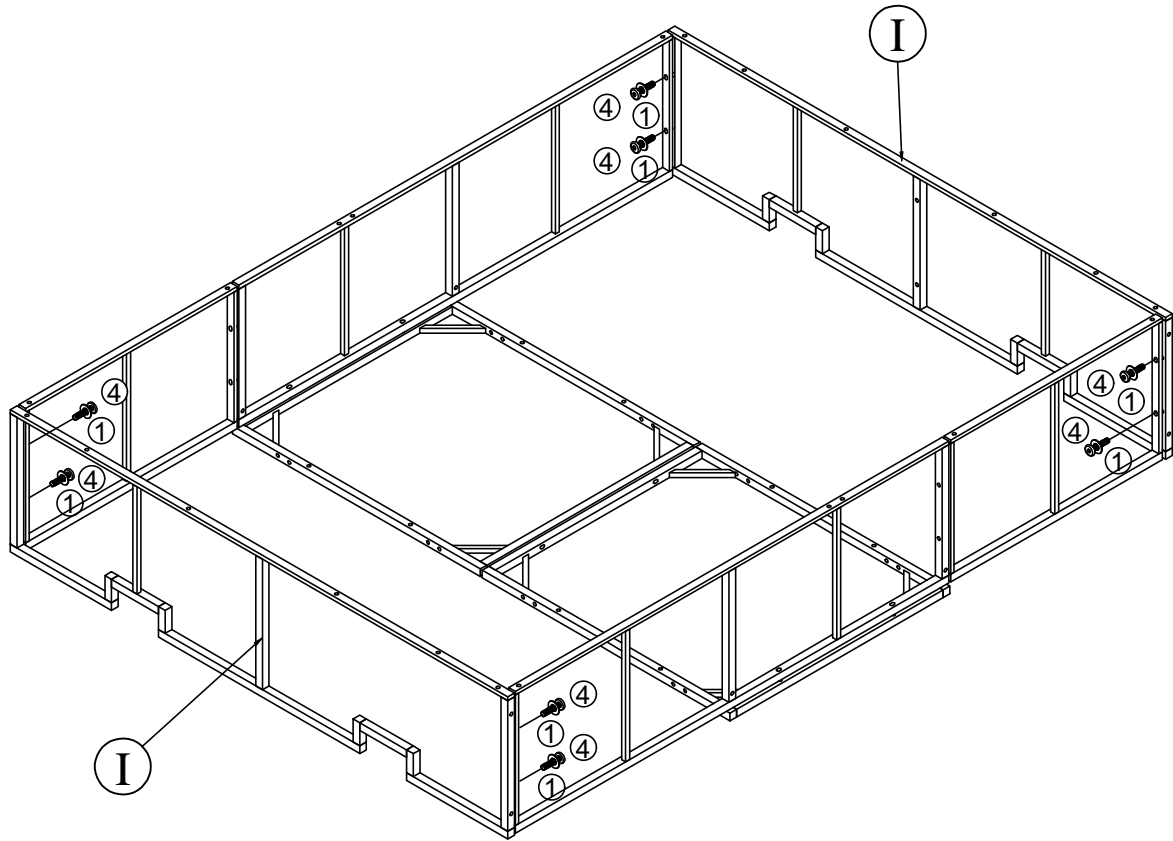
Step 1: (A)*1, (B)*1, (1)*2, (4)*2



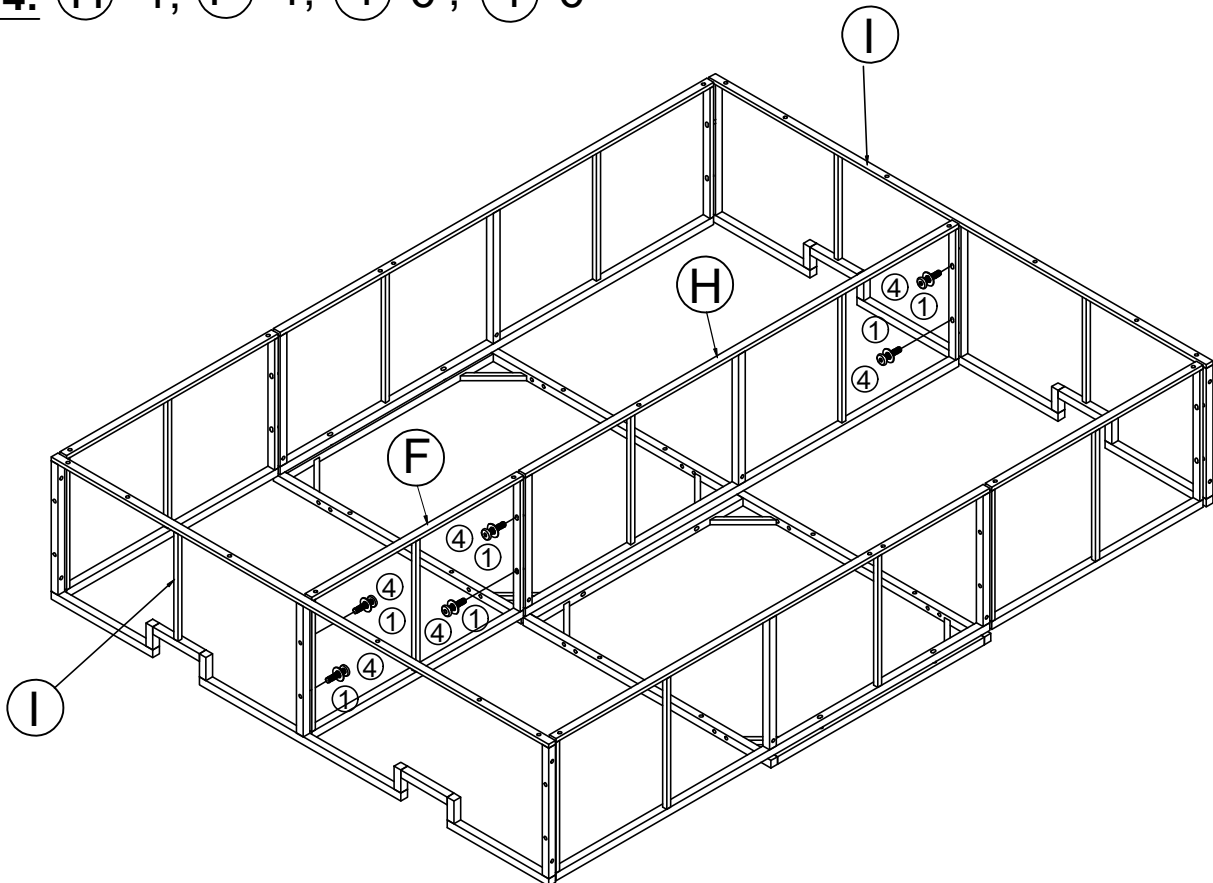
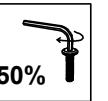
Step 2: (D)*2, (E)*2, (1)*8, (4)*8



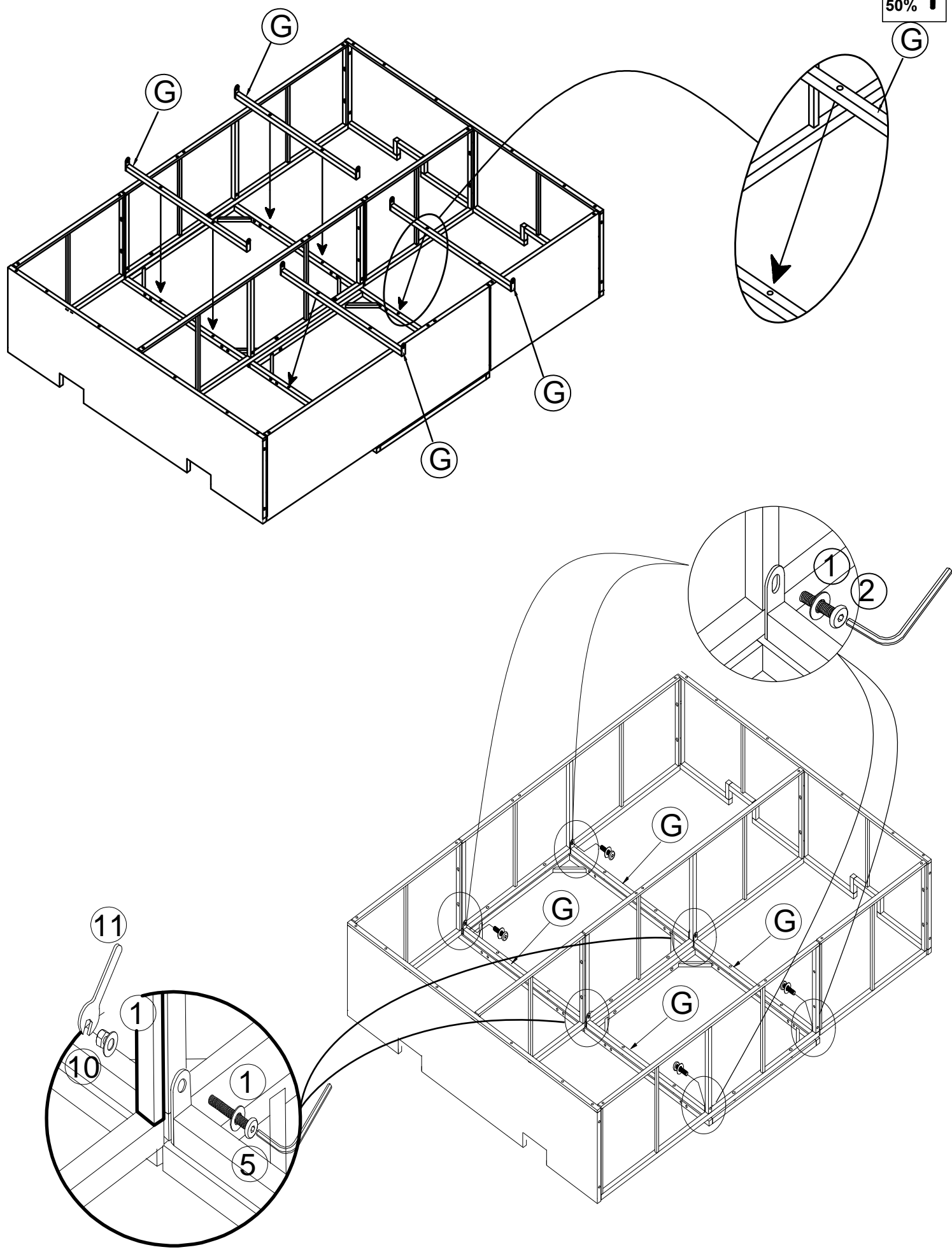
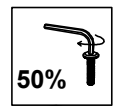
Step 3: (I) *2, (1) *8, (4) *8



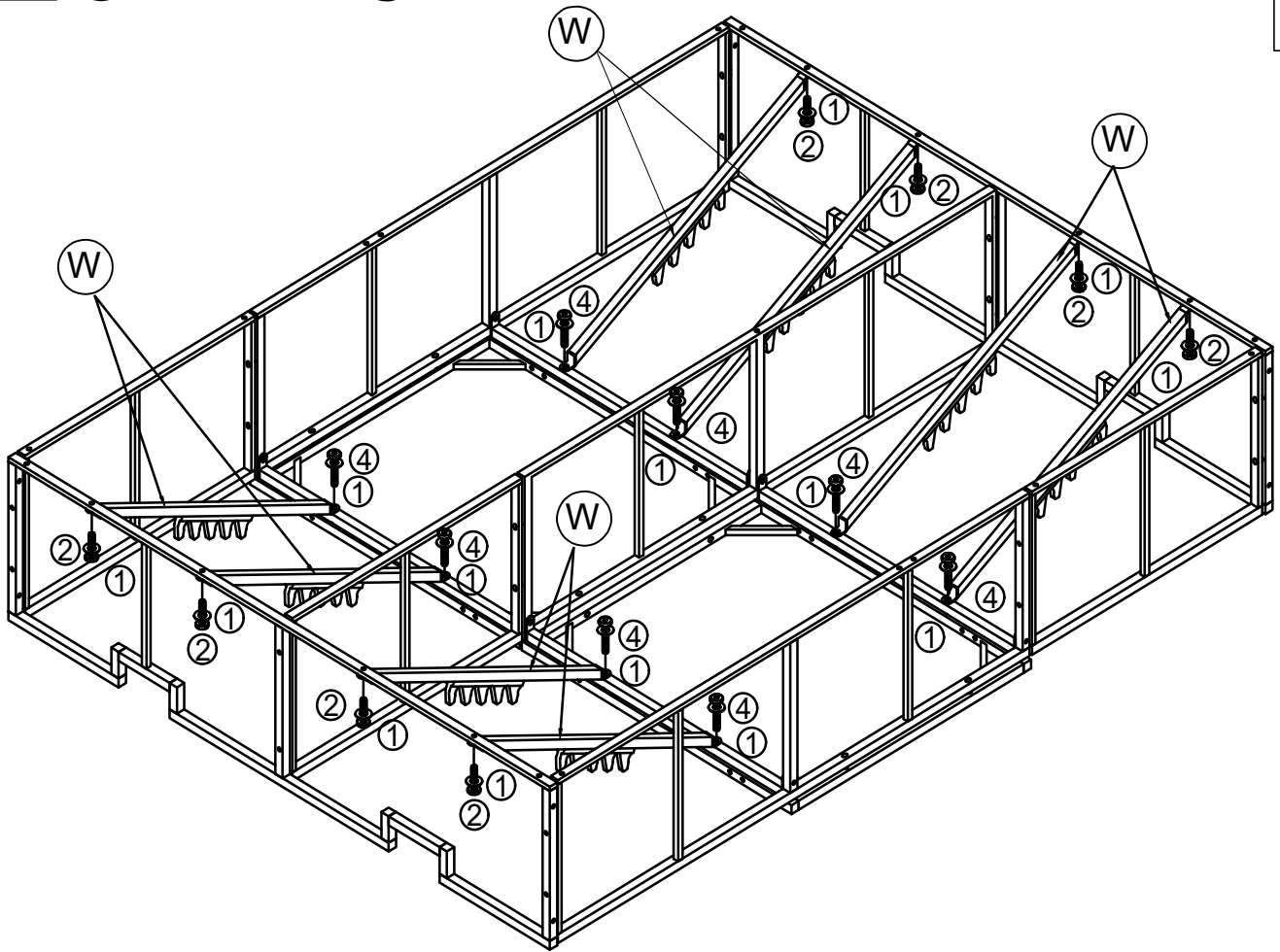
Step 4: (H) *1, (F) *1, (1) *6, (4) *6



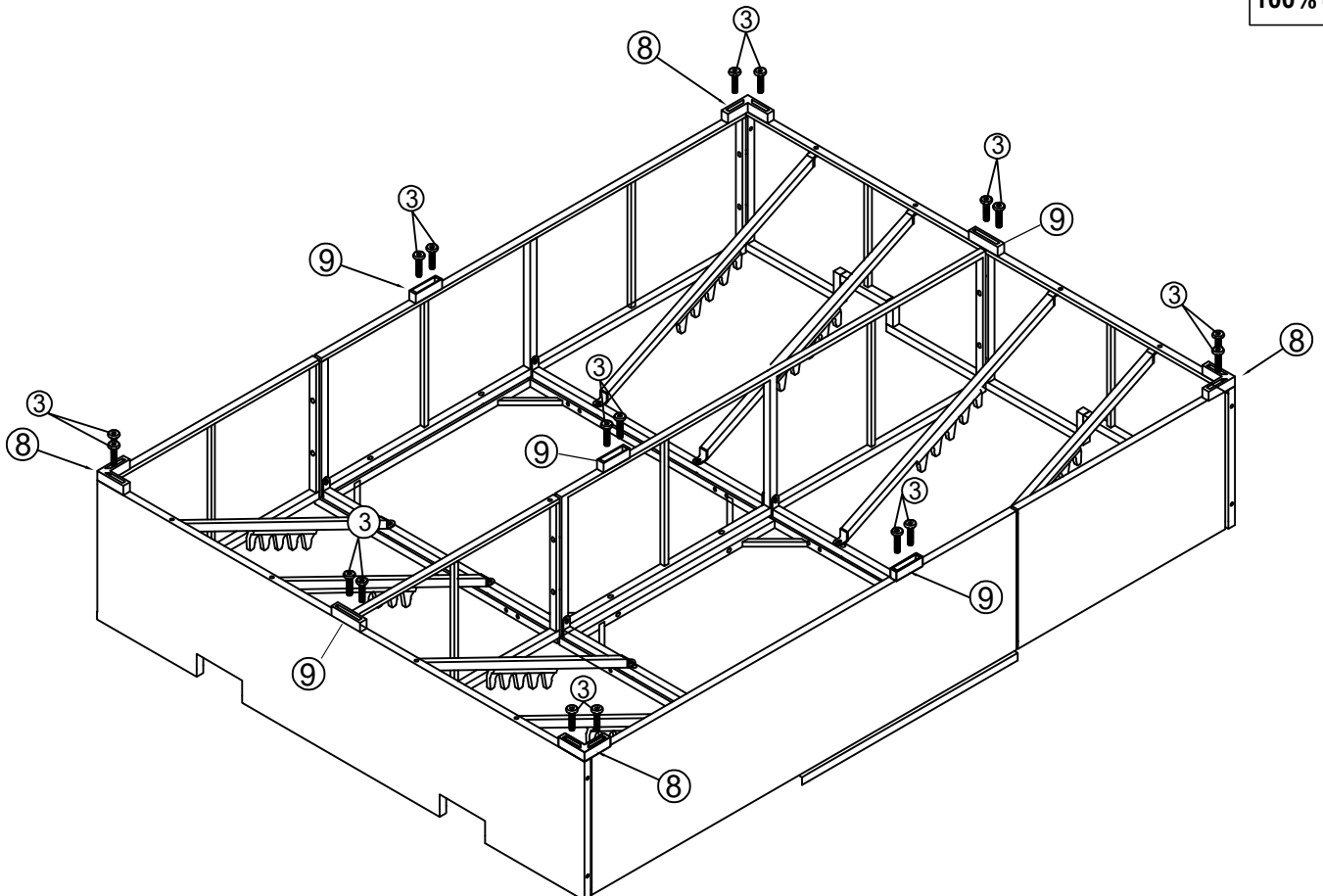
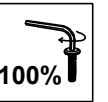
Step 5: (G)*4, (1)*8, (2)*4, (5)*2, (10)*2, (11)*1



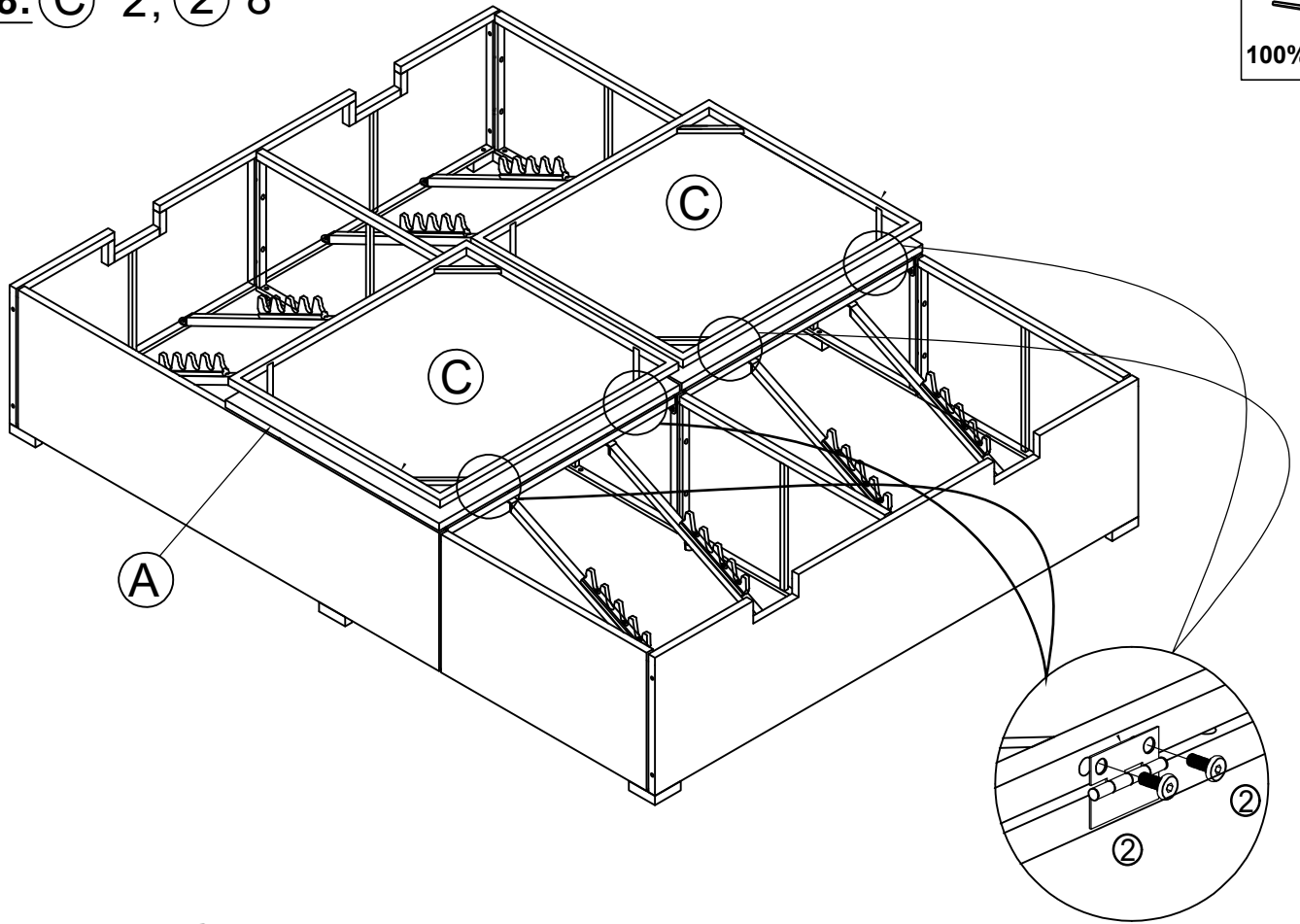
Step 6: (W)*8, (1)*16, (2)*8, (4)*8



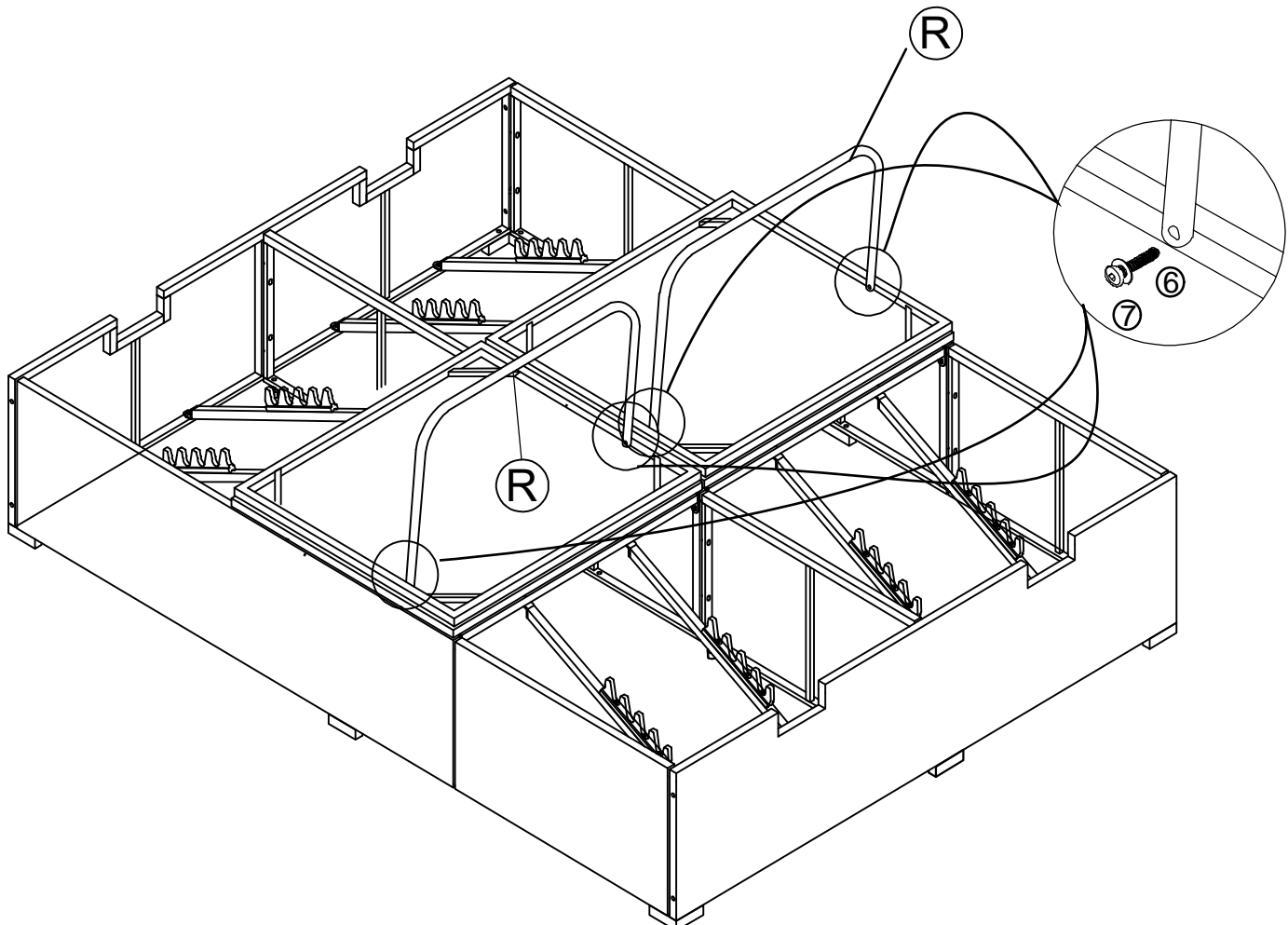
Step 7: (3)*18, (8)*4, (9)*5



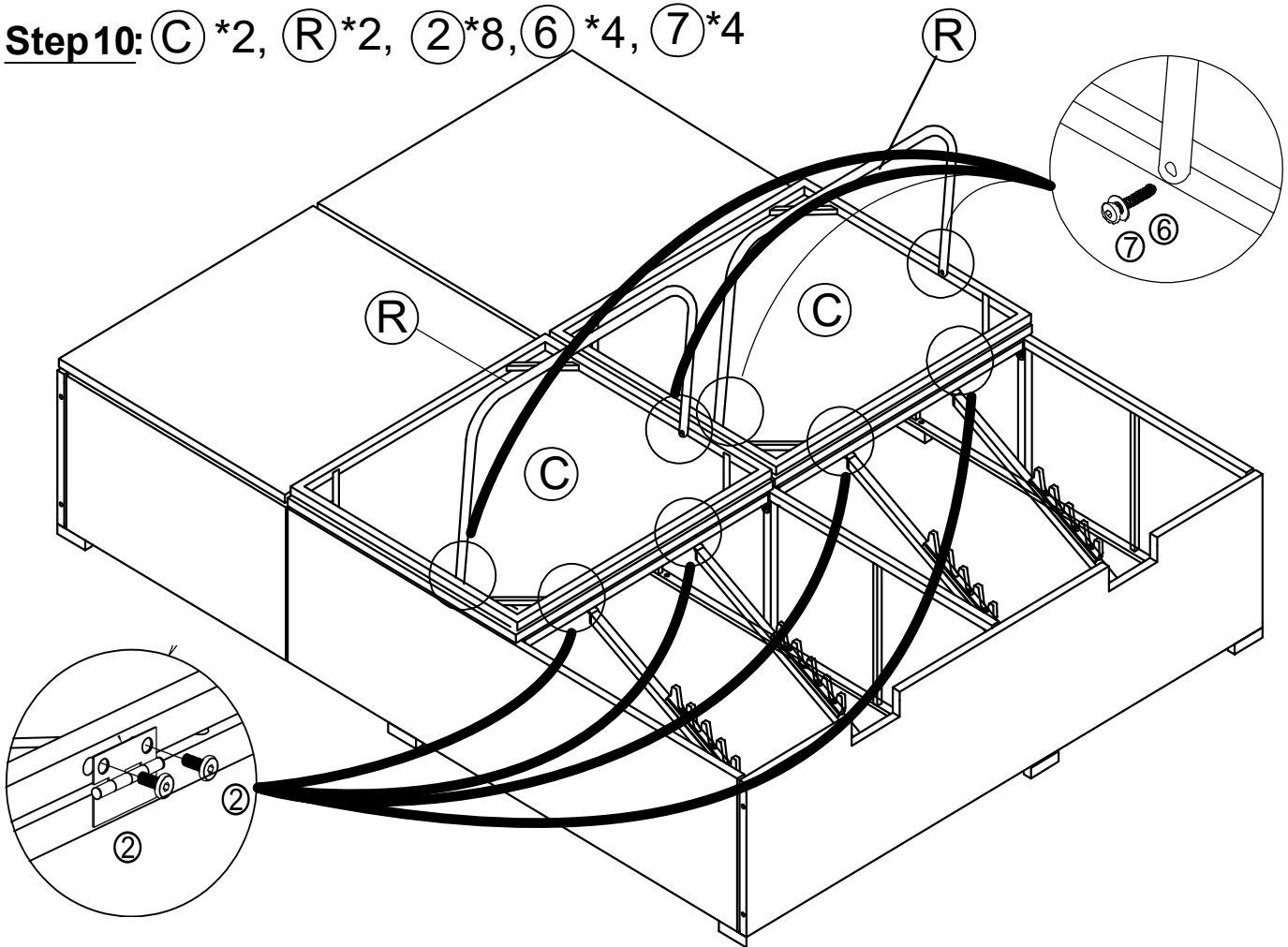
Step 8: (C) *2, (2) *8



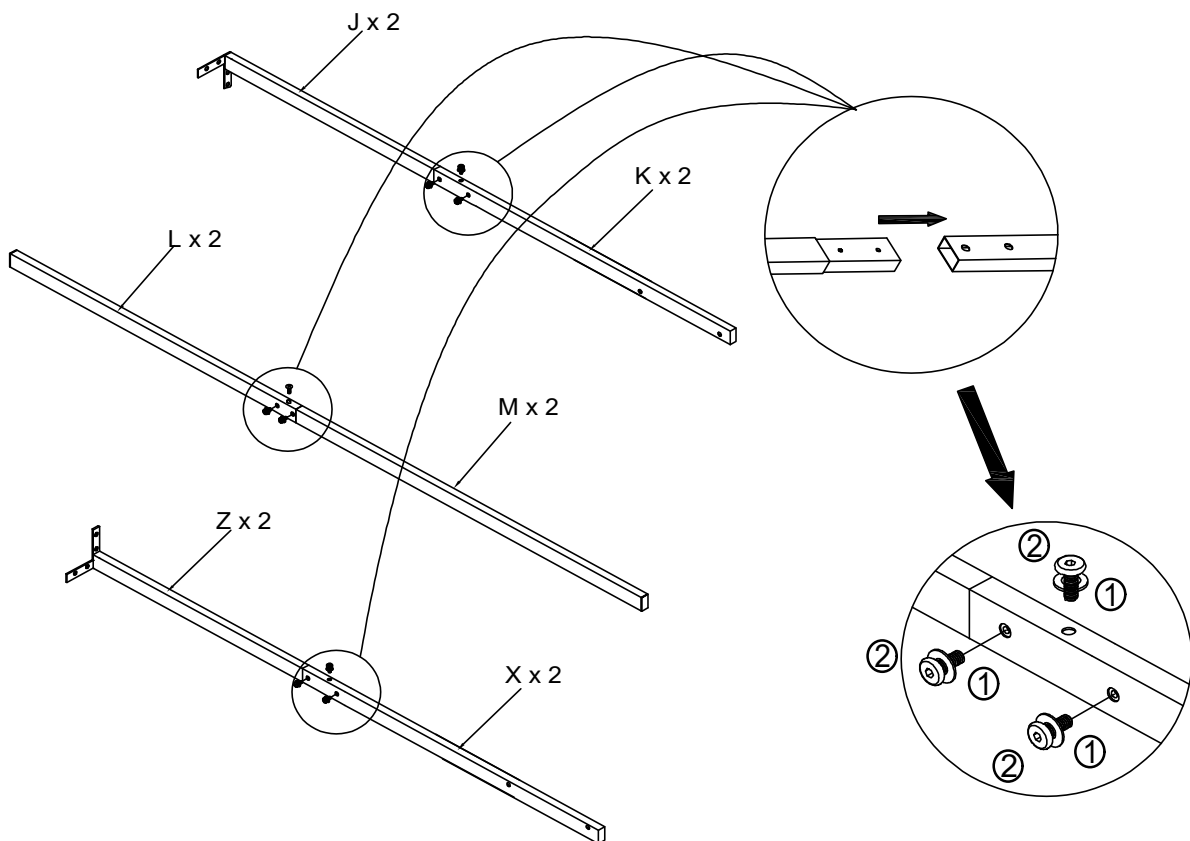
Step 9: (R) *2, (6) *4, (7) *4



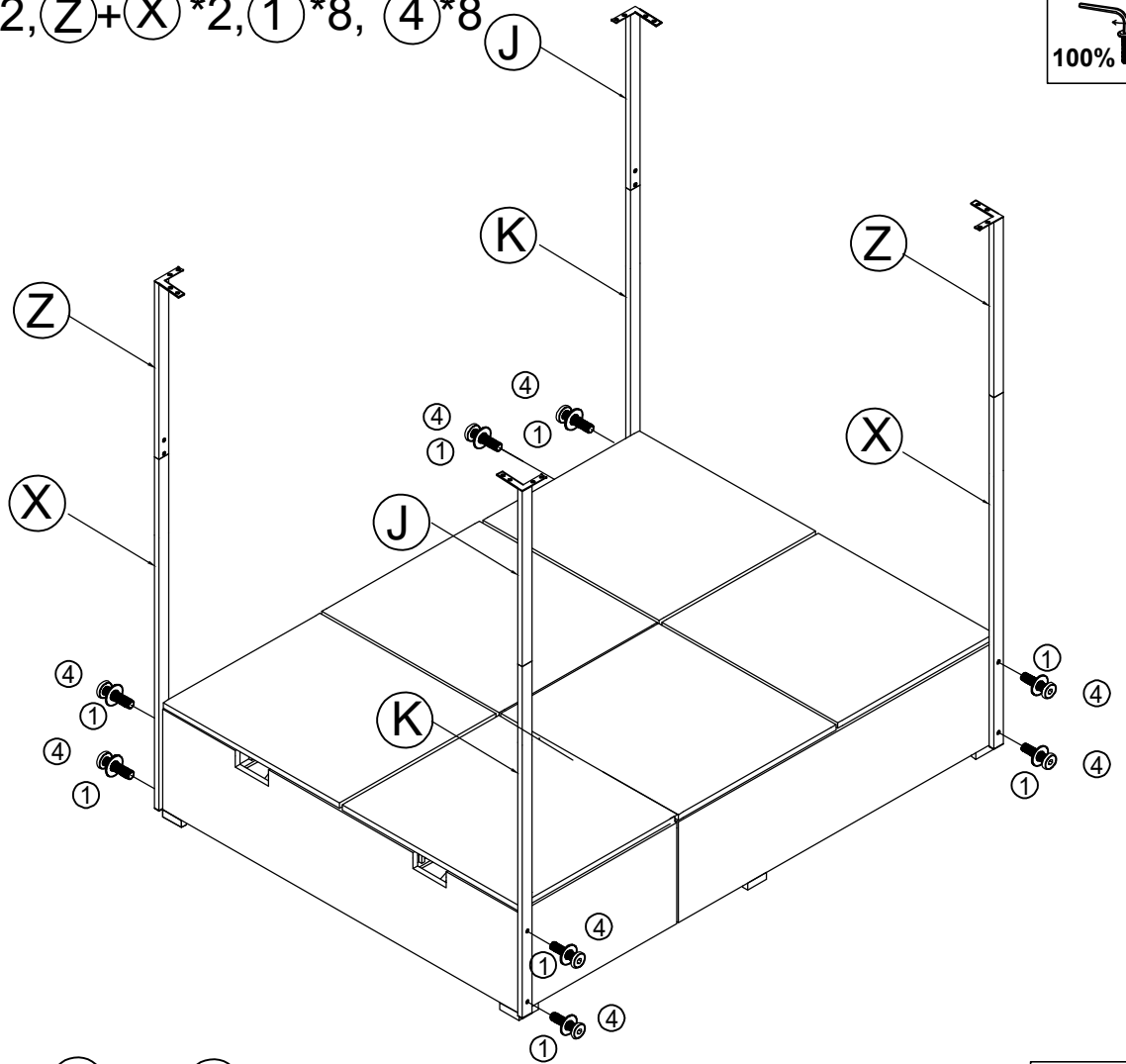
Step 10: (C) *2, (R) *2, (2) *8, (6) *4, (7) *4



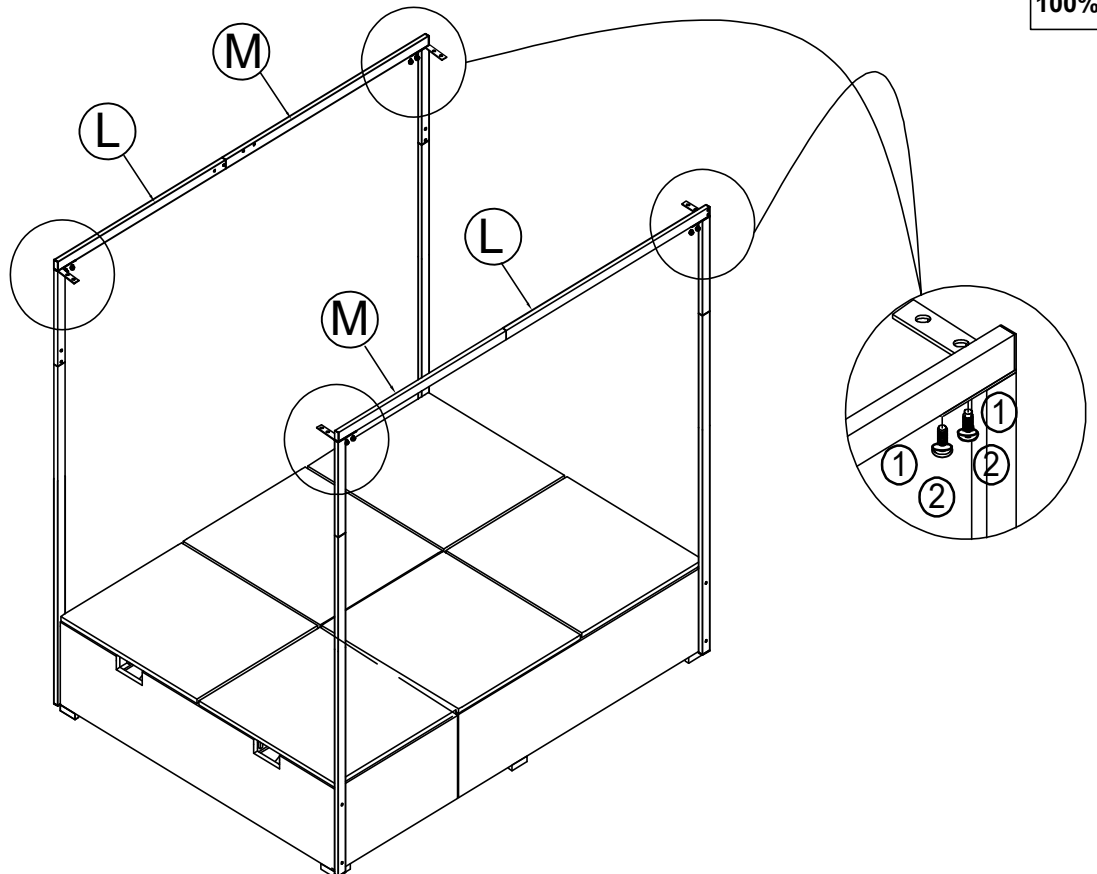
Step 11: (K) *2, (L) *2, (M) *2, (J) *2, (1) *18, (2) *18



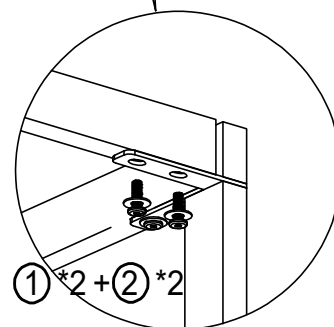
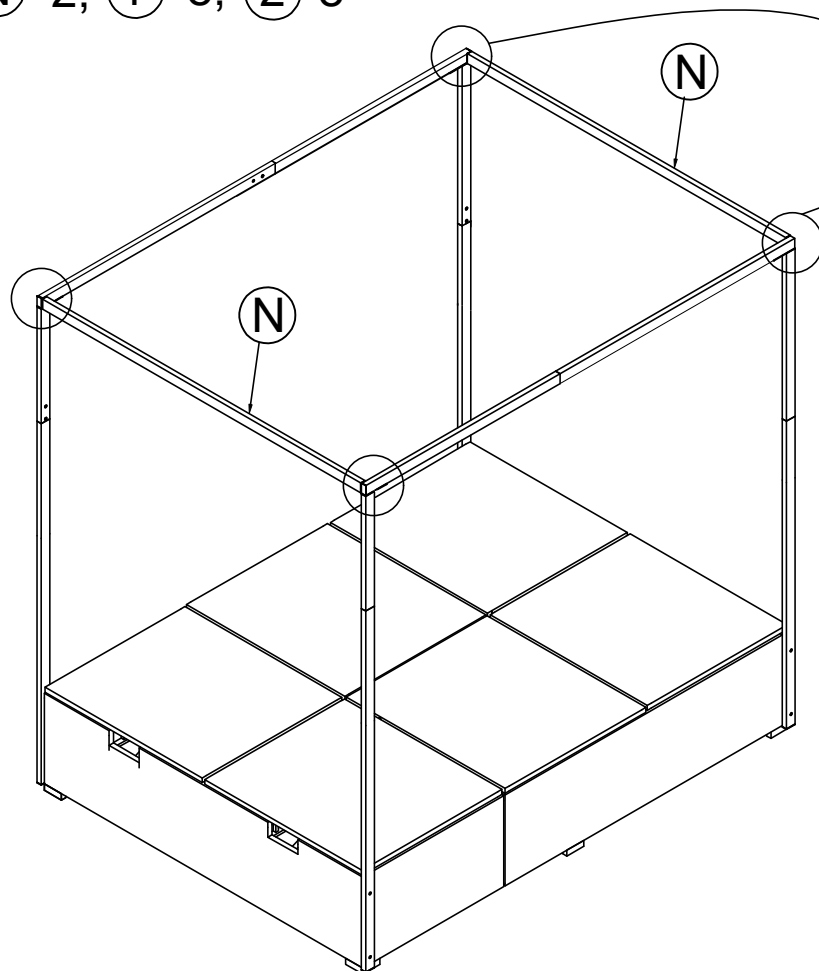
Step 12: (J) + (K) * 2, (Z) + (X) * 2, (1) * 8, (4) * 8



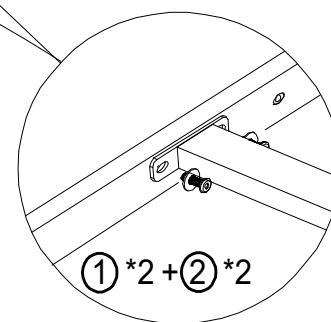
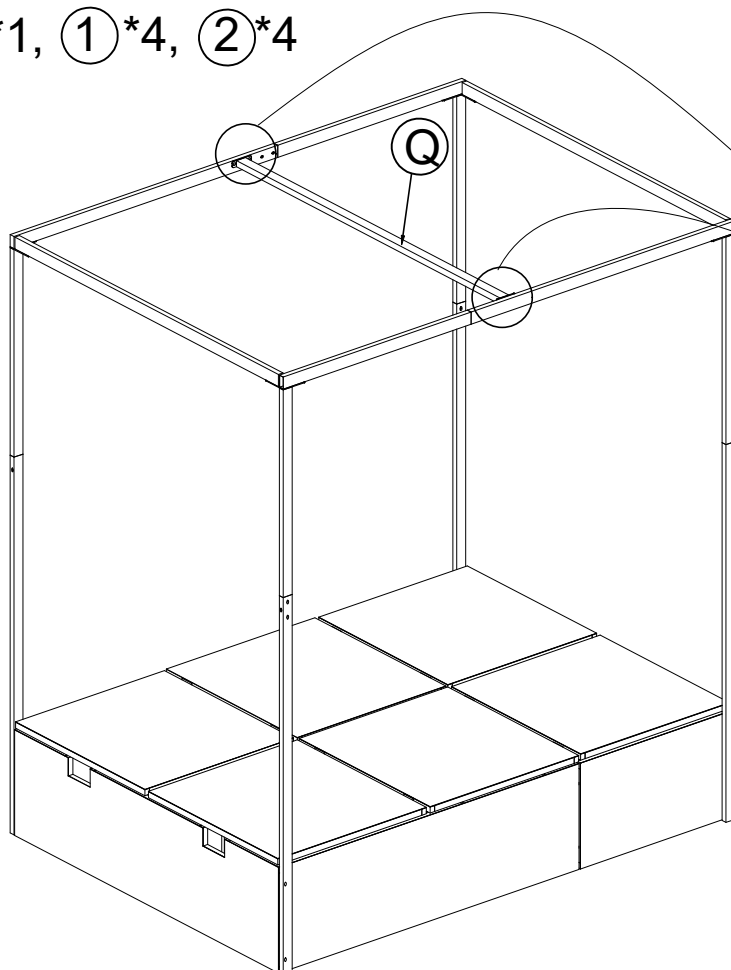
Step 13: (L) + (M) * 2, (1) * 8, (2) * 8



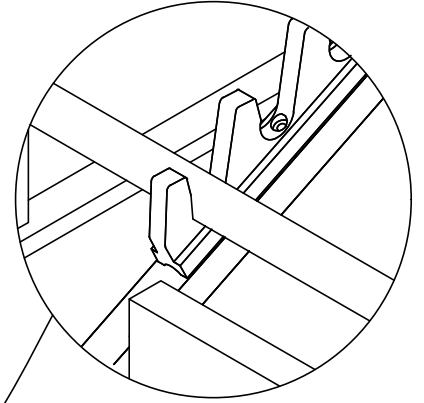
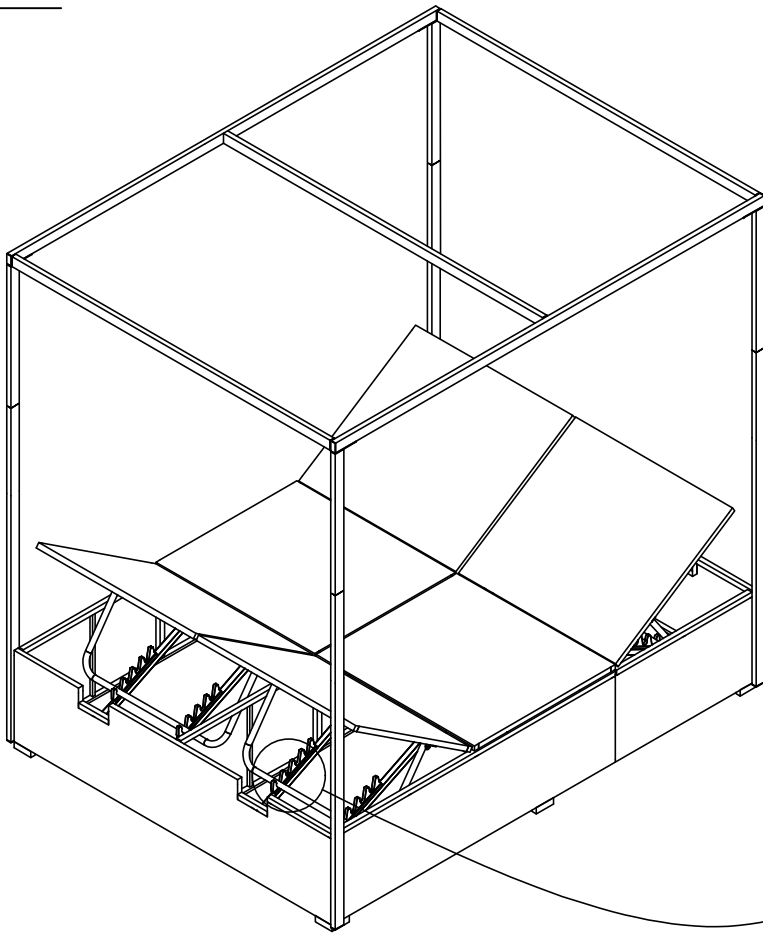
Step 14: (N)*2, (1)*8, (2)*8



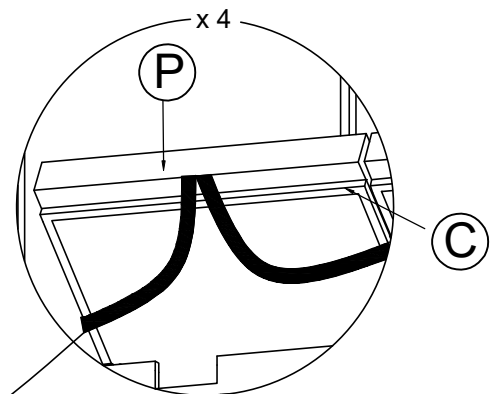
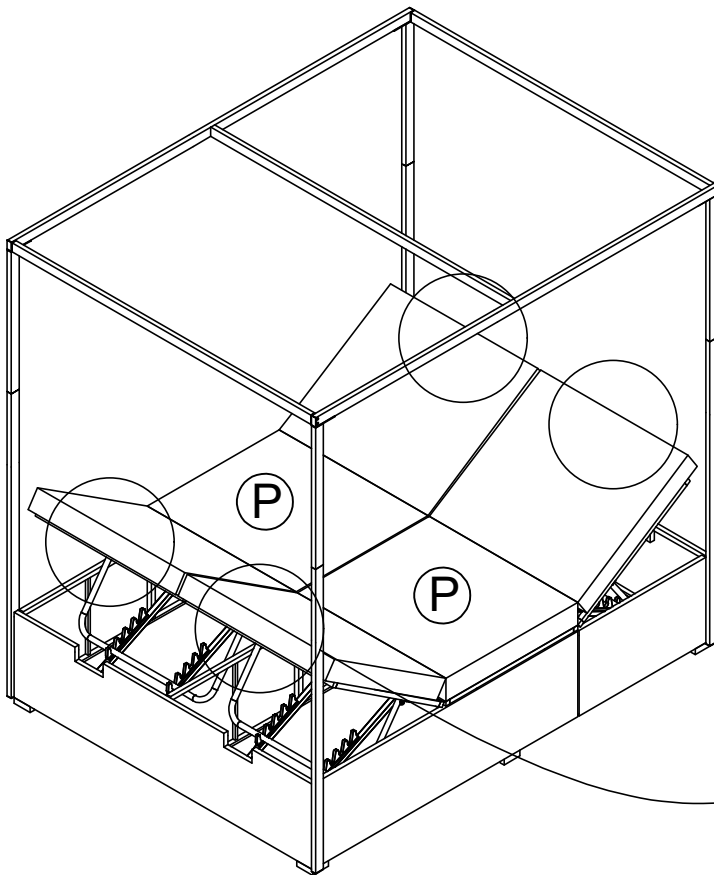
Step 15: (Q)*1, (1)*4, (2)*4



Step 16



Step 17: (P) *2



Step 18: ○ *1

