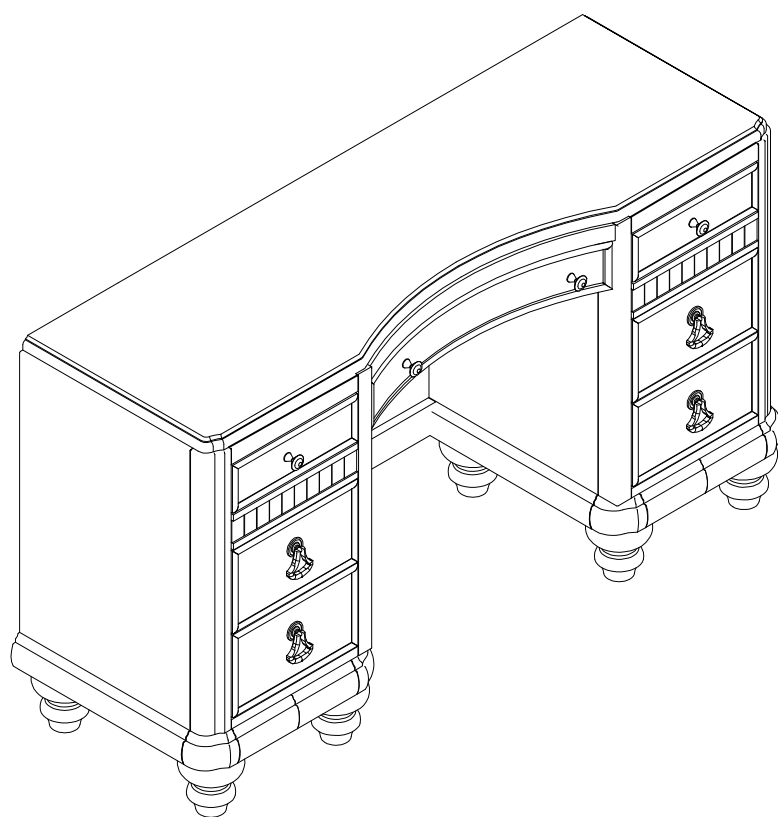


ASSEMBLY INSTRUCTIONS



Vanity Desk

ASSEMBLY INSTRUCTIONS

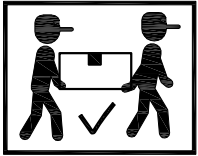
ASSEMBLY TIPS:

- 1.Remove hardware from box and sort by size.
- 2.Please check to see that all hardware and parts are present prior to start of assembly.
- 3.Please follow attached instructions in the same sequence as numbered to assure fast & easy assembly.

WARNING!



- 1.Don't attempt to repair or modify parts that are broken or defective. Please contact the store immediately.
- 2.This product is for home use only and not intended for commercial establishments.

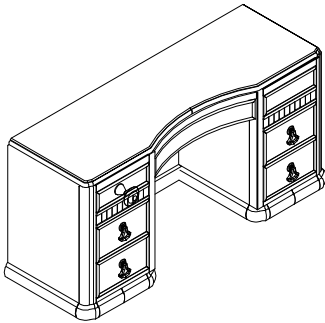


ASSEMBLY TIME

15 MINUTES

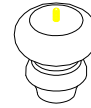
PARTS IDENTIFICATION

A DRESSER



1PC

B BUN FOOT

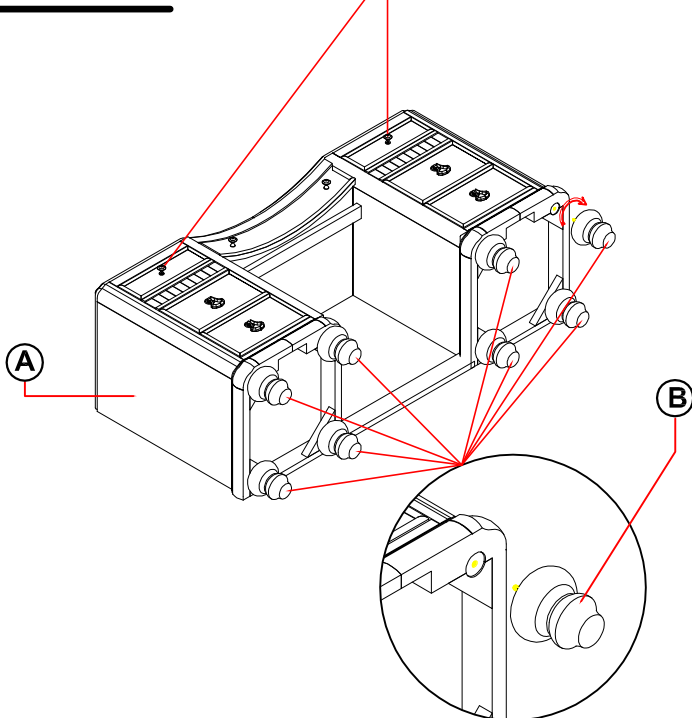


4PCS

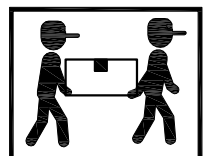
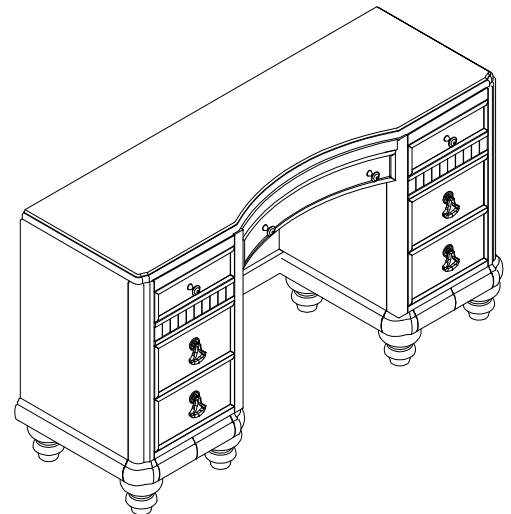
ASSEMBLY INSTRUCTIONS

STEP 1

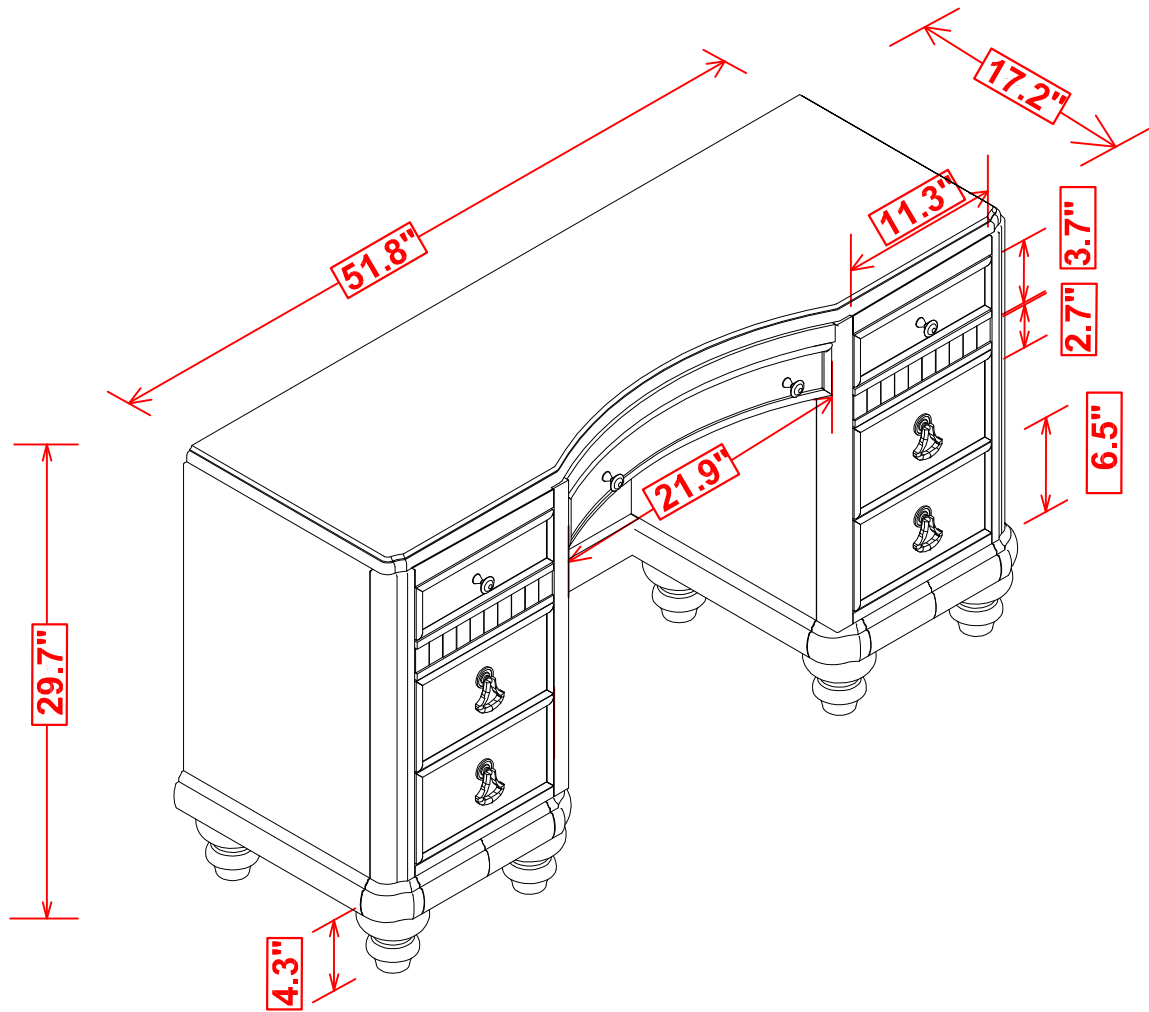
Bun Foot Are Inside
the Bottom Drawer



STEP 2 COMPLETE



INNER SIZE OF DRAWER 1 : 21.9" x 15.4" x3.7"
INNER SIZE OF DRAWER 2 : 11.3" x14.6" x3.7"
INNER SIZE OF DRAWER 3 : 11.3" x14.6" x2.7"
INNER SIZE OF DRAWER 4 : 11.3" x14.6" x6.5"



Note : Dimension tolerance $\pm 5\%$