

Quick Start & Care Guide

Thank you for your purchase! Your new chair is thoughtfully designed for comfort and style.

Follow this simple guide to ensure long-lasting enjoyment and reliable use.

Warranty Policy

Our Promise to You (1-Year Limited Warranty)

We stand by our quality. Your chair is protected against manufacturing defects for one year from the purchase date.

What's Covered:

- ✓ Structural Defects: Issues with the wooden or iron frame.
- ✓ Hardware Failure: Problems with screws or connectors under normal use.

What's Not Covered:

- ✗ Normal Wear & Tear: Fading, scratches, or wrinkles from daily use.
- ✗ Accidents & Spills: Damage from pets, liquids, or improper use.
- ✗ Improper Assembly: Damage caused during setup.
- ✗ Commercial Use: Use in a non-residential setting.

How to Contact Us for Warranty Service:

Simply contact us through the Amazon platform with your order number and a photo of the issue. We'll take care of the rest.

Assembly Guide & Installation Diagram

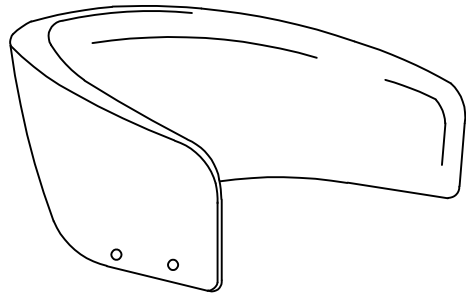
Before You Begin:

1. Check Parts: Ensure all pieces from the parts list are included.
2. Clear a Space: Assemble on a soft surface, like a rug, to prevent scratches.

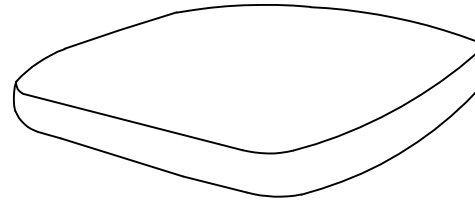
Installation Notes:

1. Use moderate torque with electric screwdrivers to avoid damage.
2. Insert all screws about 70% first to align the parts, then fully tighten them once everything is in place.

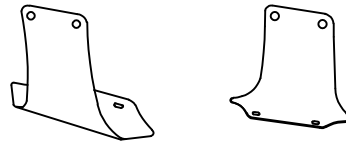
Assembly Diagram



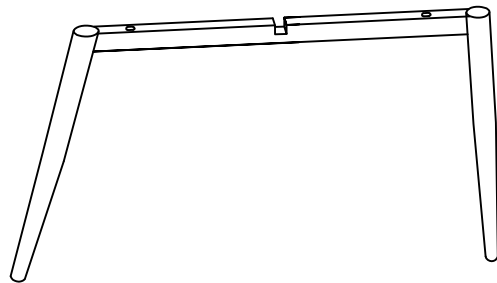
A---U-shaped backrest*1



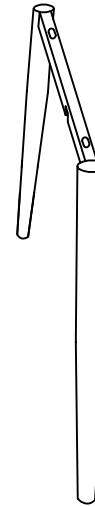
B---seat cushion*1



C---Connector*2



D---Bottom tripod*1



E---Upper tripod*1

F



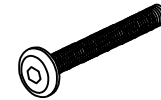
4 × M6*20 Hex Screws

G



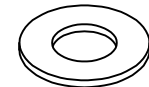
4 × M6*25 Hex Screws

H



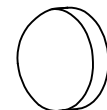
4 × M6*35 Hex Screws

I



8 × Ø9*Ø19shim

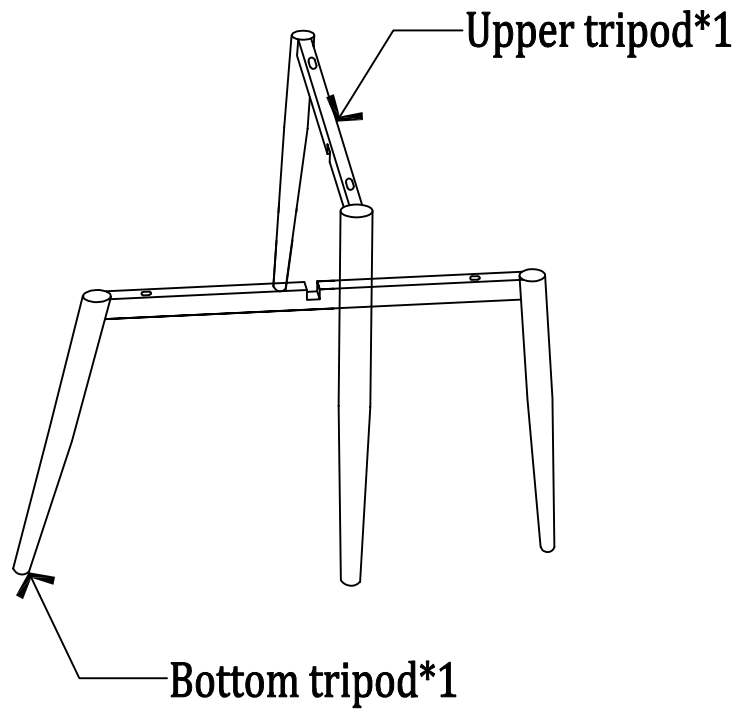
J



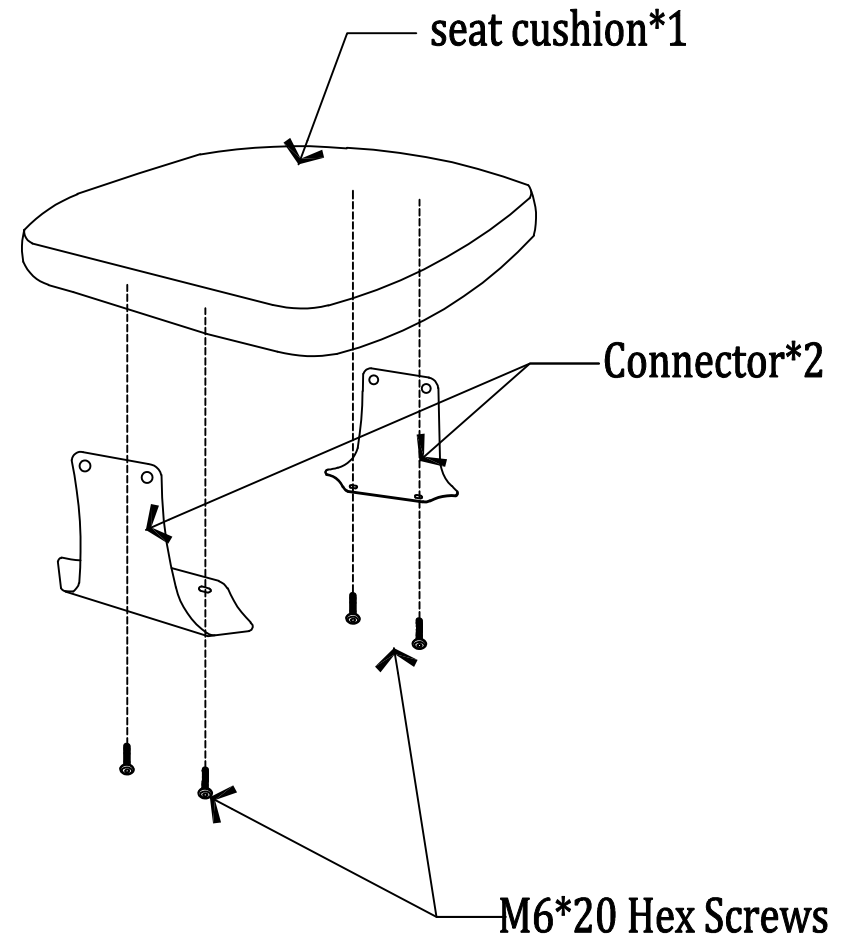
4 × Decorative cover

Assembly Diagram

Step1:
Connect the upper and lower legs



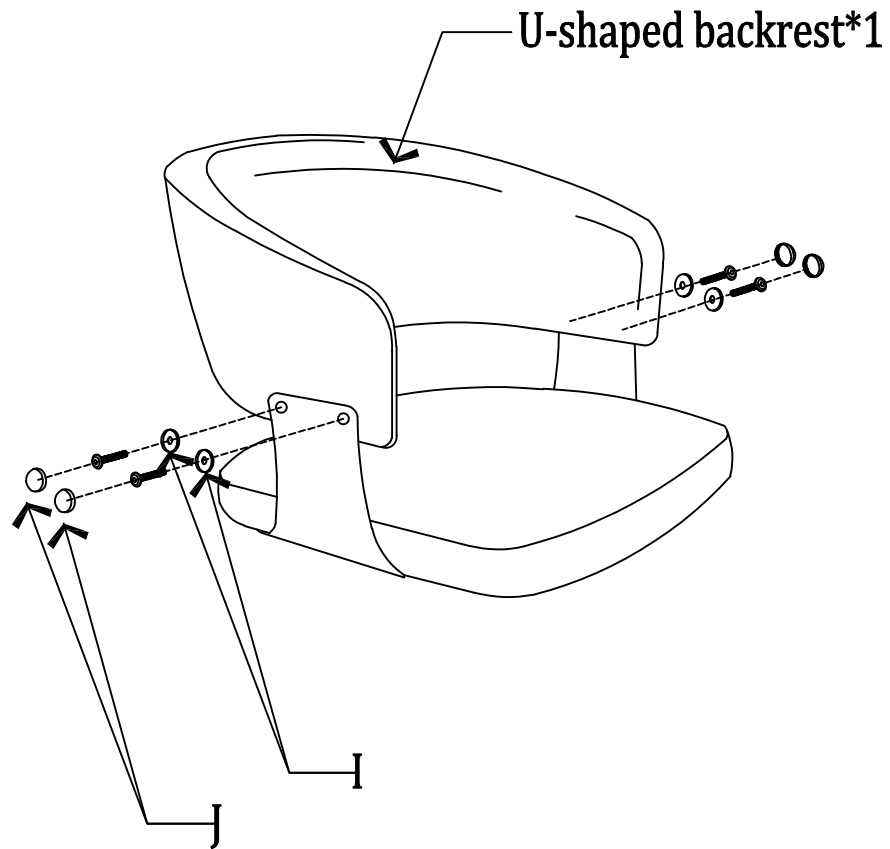
Step2: Fix the connector onto the seat cushion using M6 * 20 hex screws



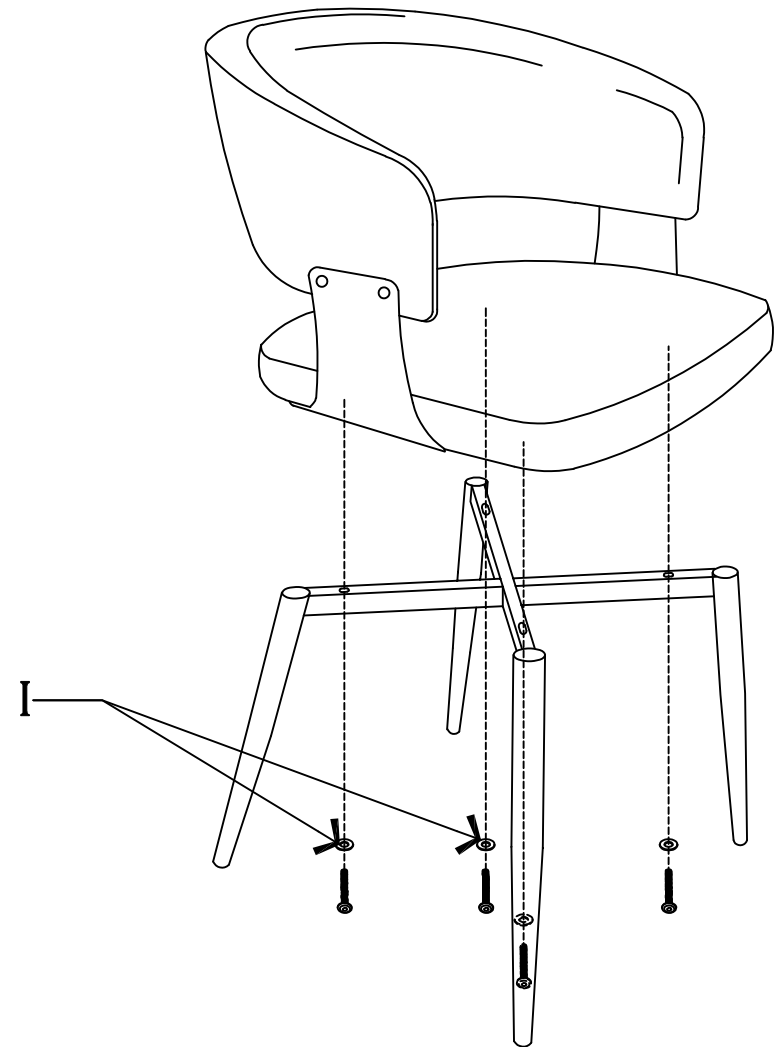
Assembly Diagram

Step3:

Fix the backrest onto the connecting piece with M6 * 25 hexagonal screws and cover it with a decorative cover

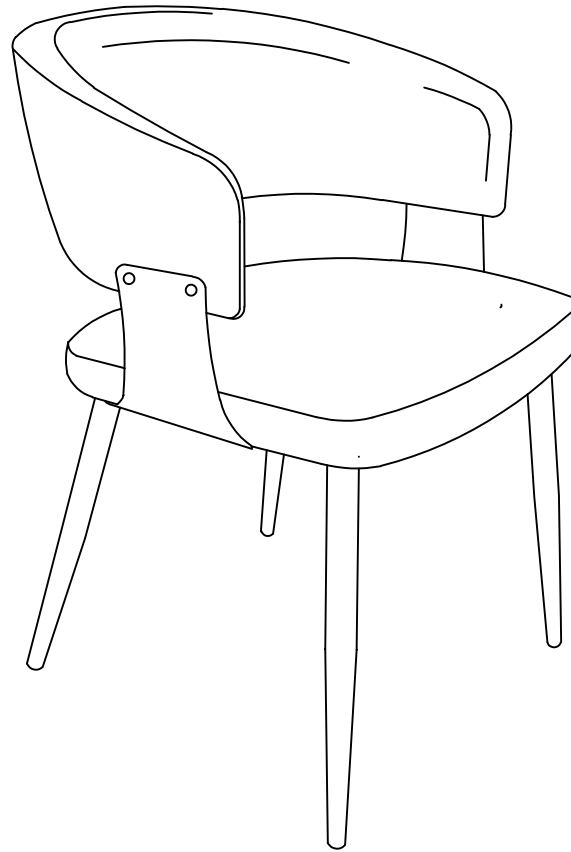


Step4: Fix the seat cushion from below the tripod with M6 * 35 hex screws



Assembly Diagram

Step5:
installation is complete



Care & Maintenance

Care methods vary by material. Please follow the instructions that match your chair's material to keep it in top condition.

General Rules:

Avoid Direct Sunlight: Protects from fading.

Keep Away from Heat: Prevents materials from drying out or cracking.

Tighten Up: Periodically check that all screws are tight.

Material-Specific Care:

Wooden Frame: Dust with a soft, dry cloth. For spots, use a damp cloth with mild soap, then wipe dry immediately.

Iron Frame: Dust with a dry cloth. Clean with a damp cloth and mild soap, ensuring it's wiped completely dry to prevent rust.

PU Leather: Wipe clean with a damp cloth. For tougher stains, use a dedicated PU leather cleaner.

Fabric: Vacuum regularly with a soft brush. Blot spills immediately with a dry cloth. Use a fabric upholstery cleaner for stains.

⚠ Safety First!

Your safety is our priority. Please follow these rules.

Weight Limit: Please respect the weight limit of [300 lbs / 136 kg].

No Standing: Never stand on the chair or use it as a ladder.

Sit Properly: Avoid sitting on the very edge of the seat.

Protect Your Floors: Use felt pads under the chair legs.

Keep Parts Away from Children: Small hardware can be a choking hazard.