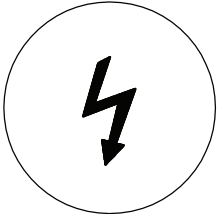


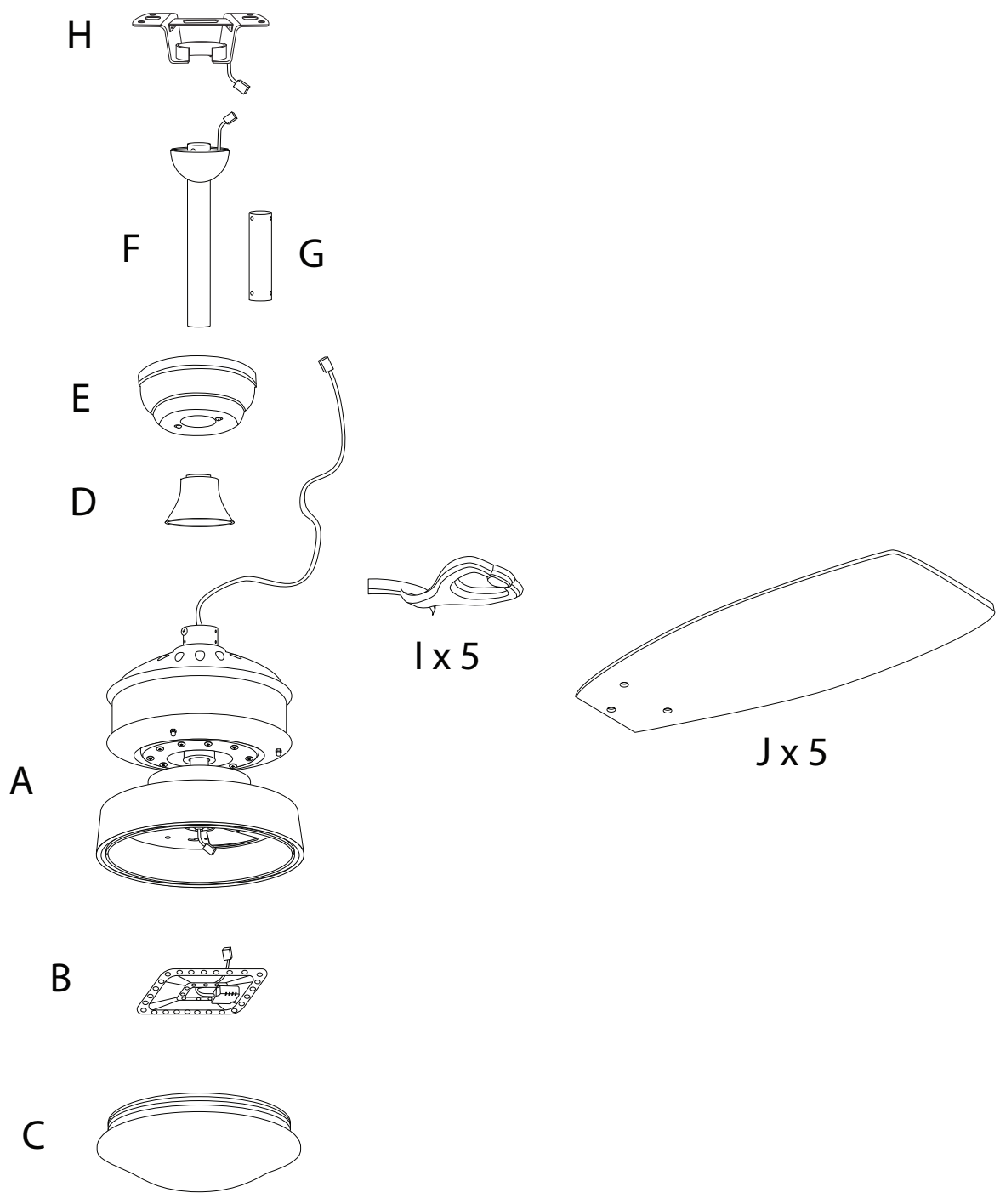
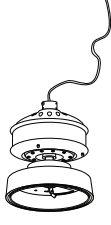
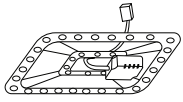
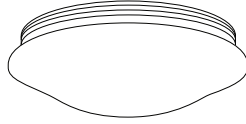

		60'
		
		2



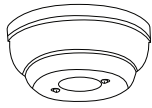
A	B	C
		
x 1	x 1	x 1

D



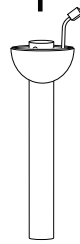
x 1

E



x 1

F



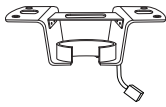
x 1

G



x 1

H



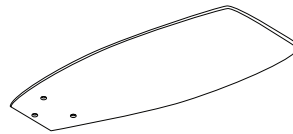
x 1

I



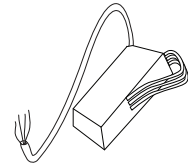
x 5

J



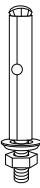
x 5

K



x 1

L



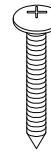
x 2

M



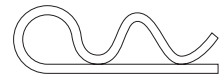
x 4

N



x 4

O



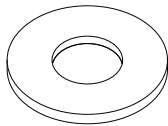
x 1

P



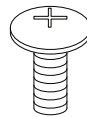
x 1

R



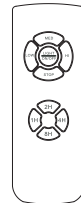
x 15

S

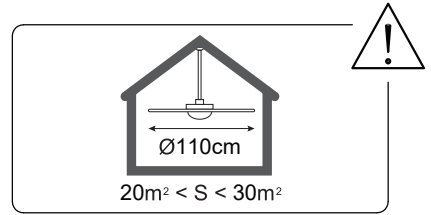
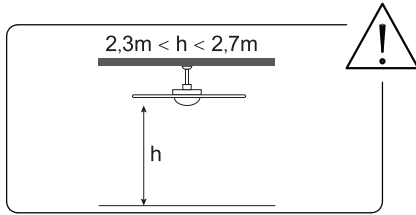
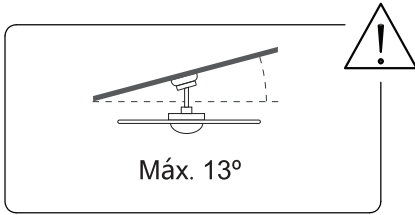
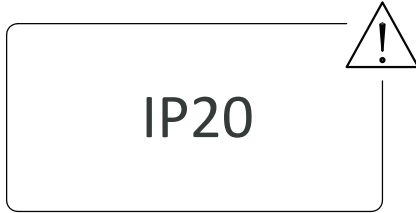
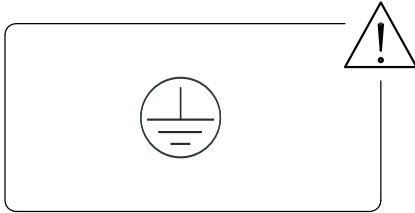
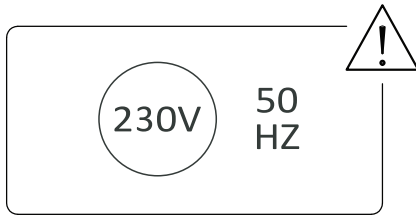


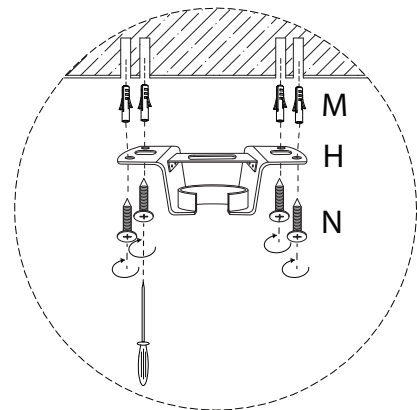
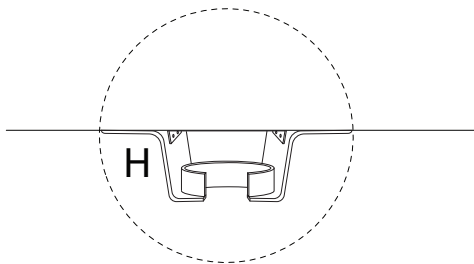
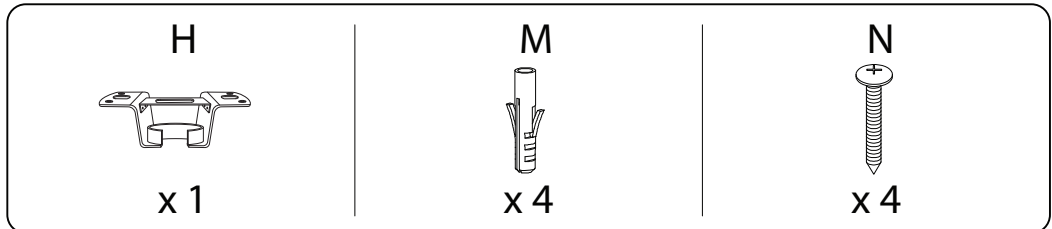
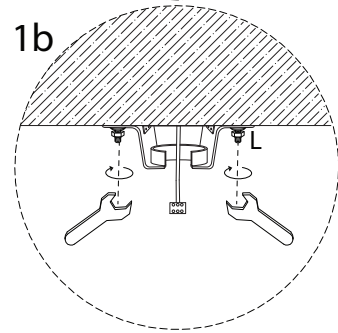
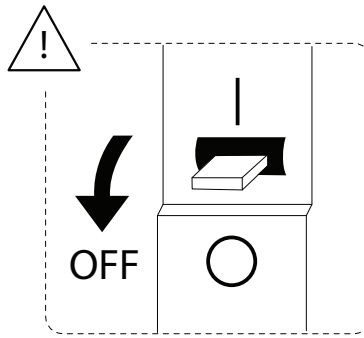
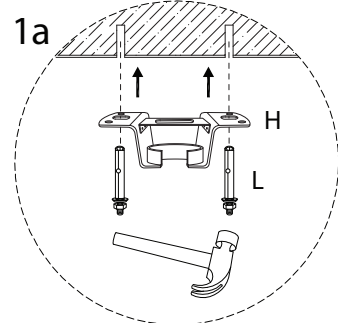
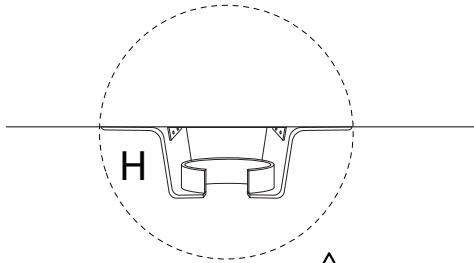
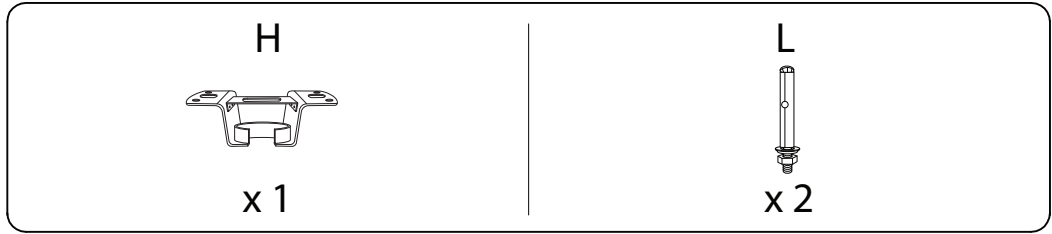
x 15

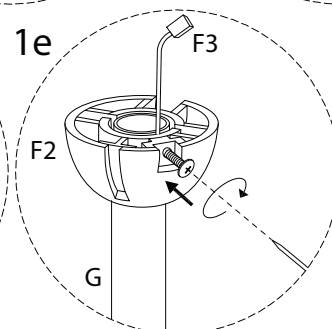
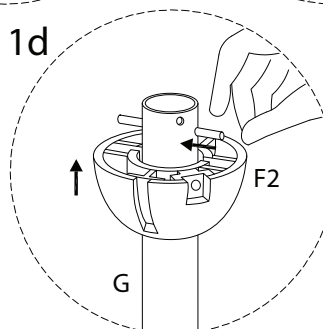
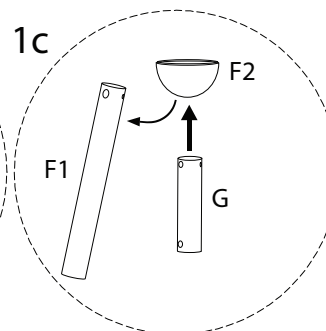
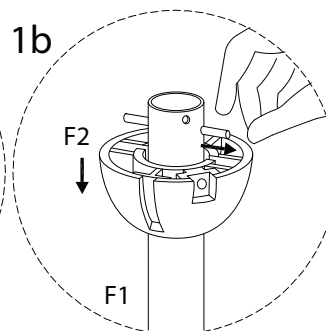
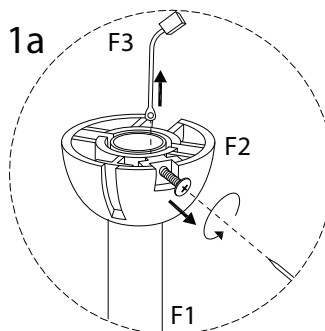
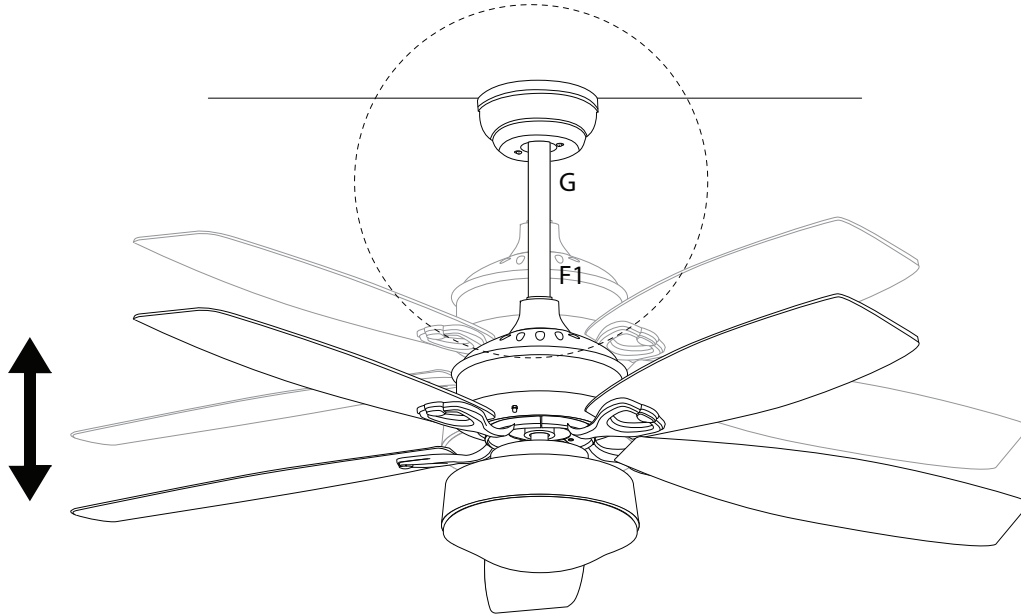
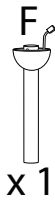
T



x 1







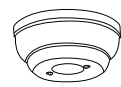
1

D

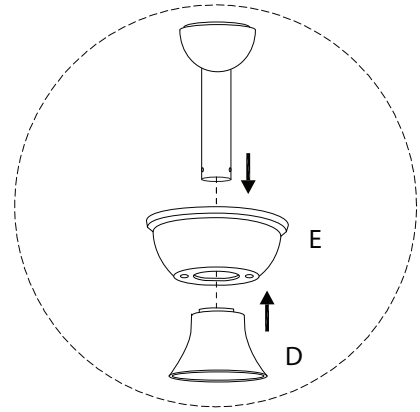
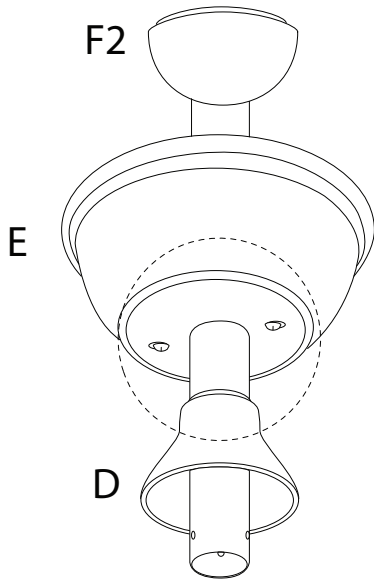


x 1

E



x 1

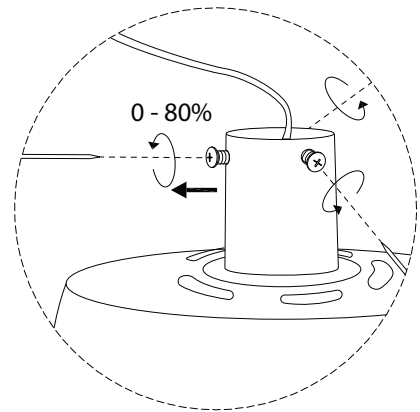
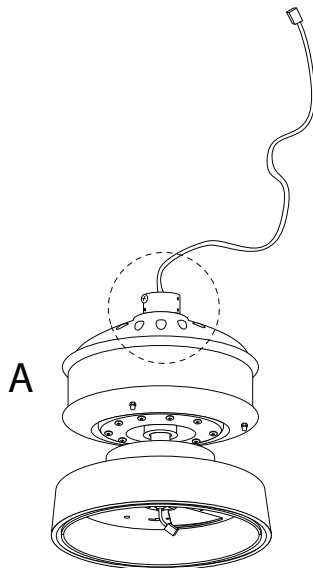


2

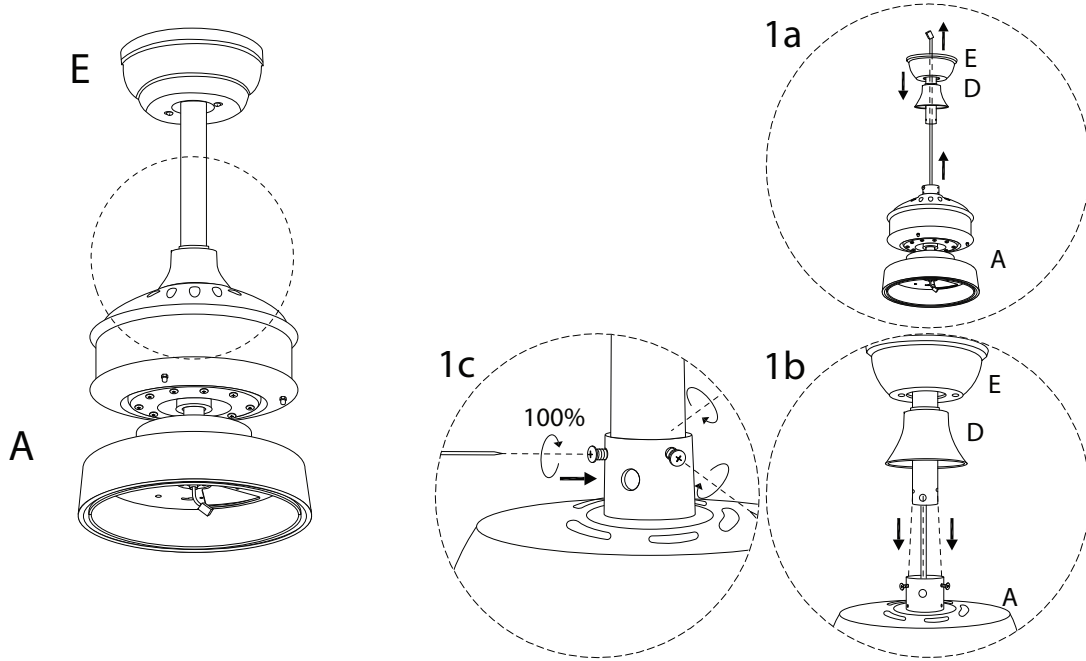
A



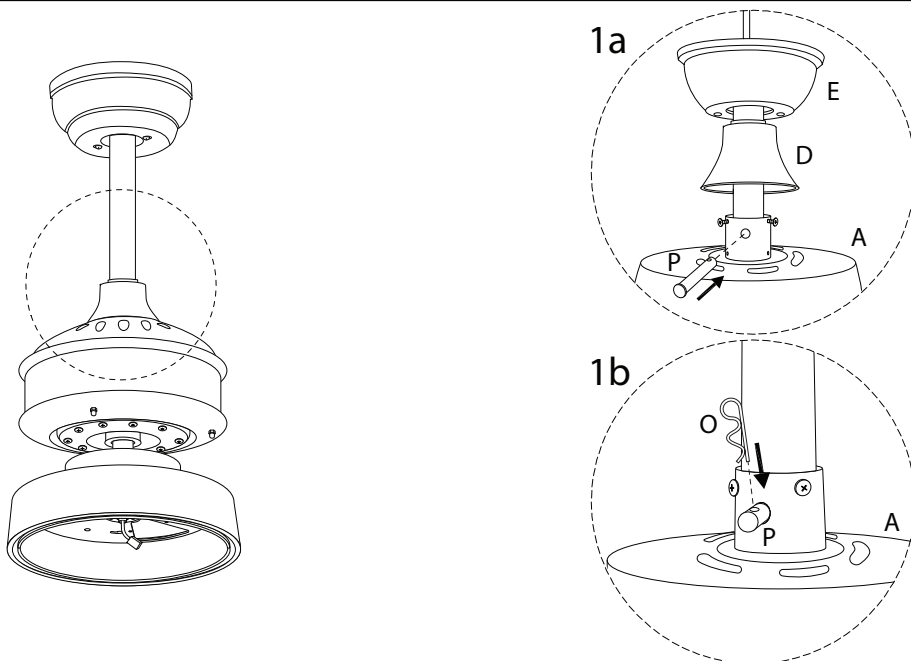
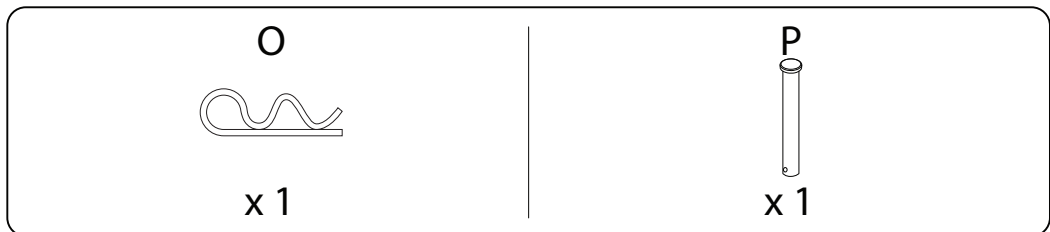
x 1



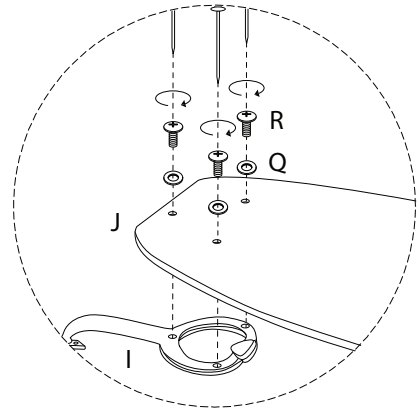
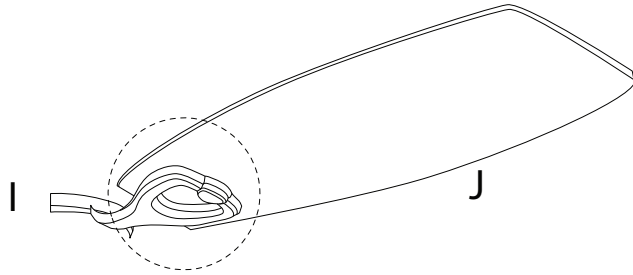
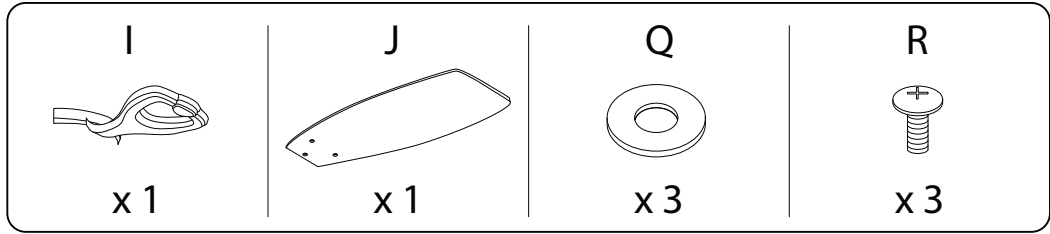
3



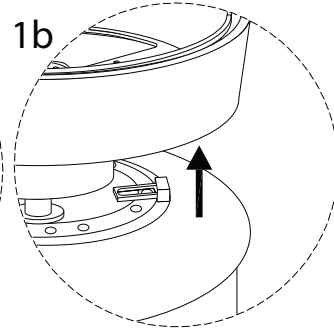
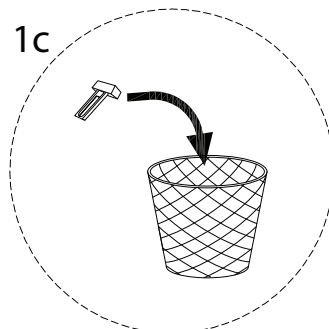
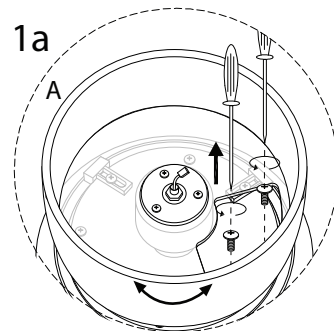
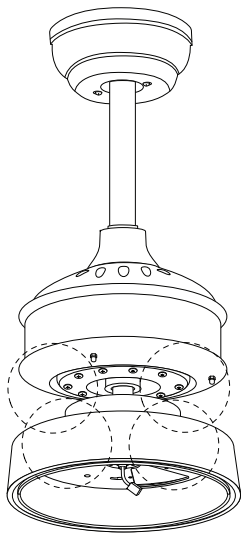
4



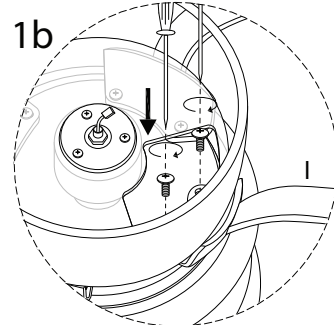
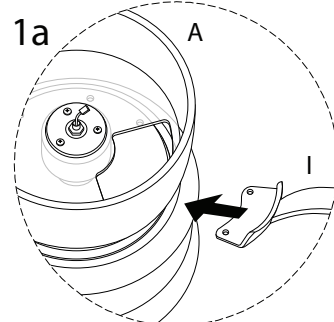
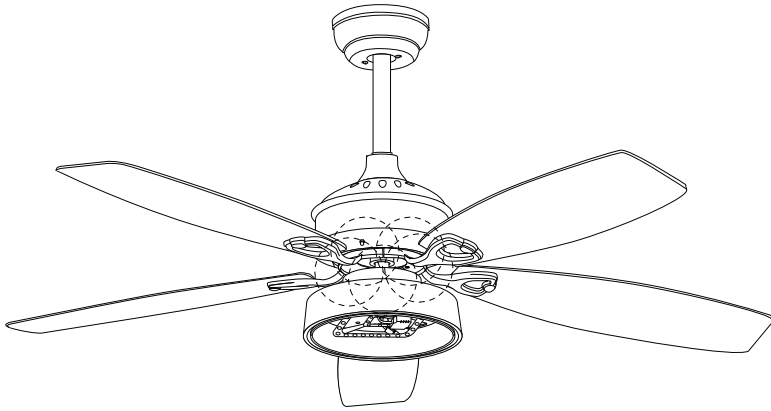
5 x 5



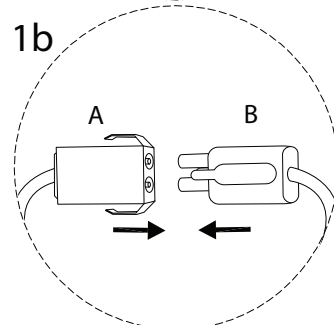
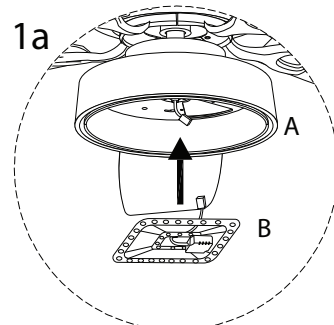
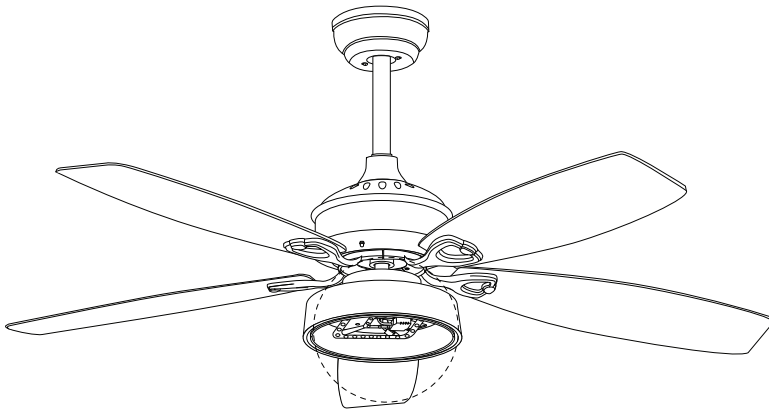
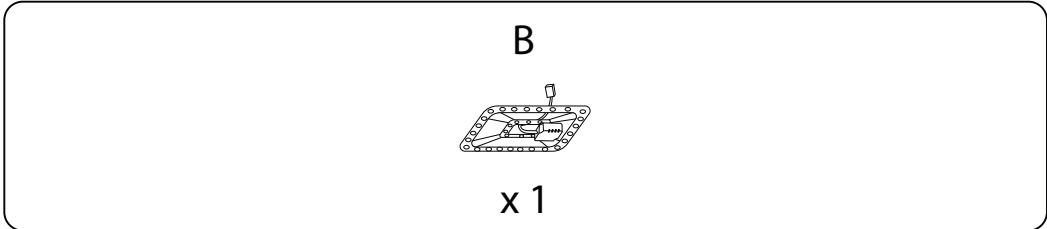
6



7



8

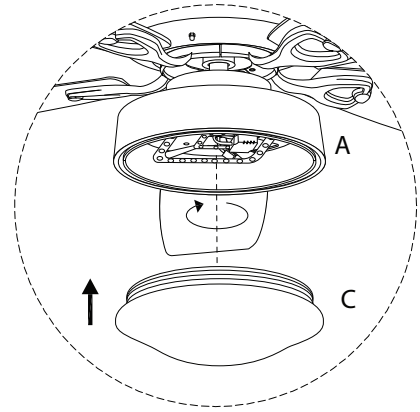
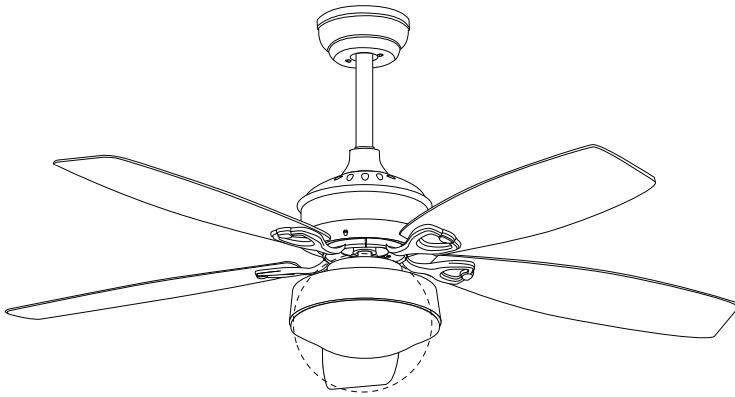


9

C

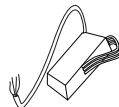


x 1

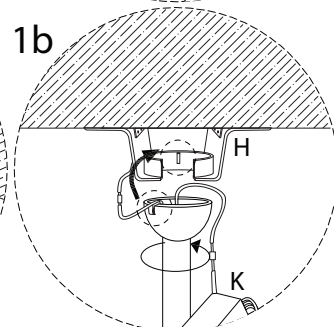
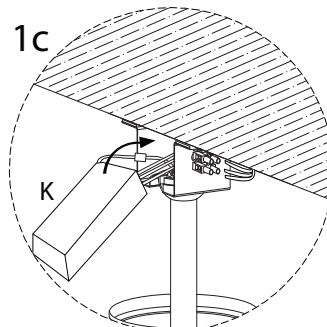
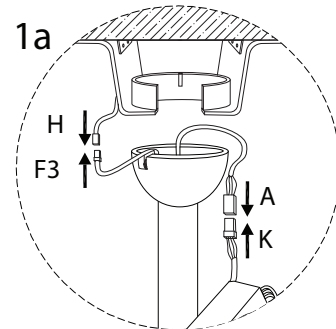
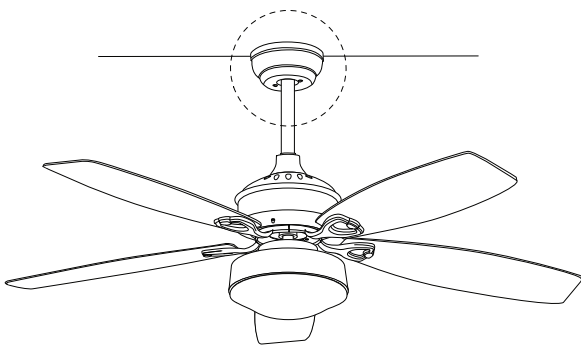


10

K



x 1



11

