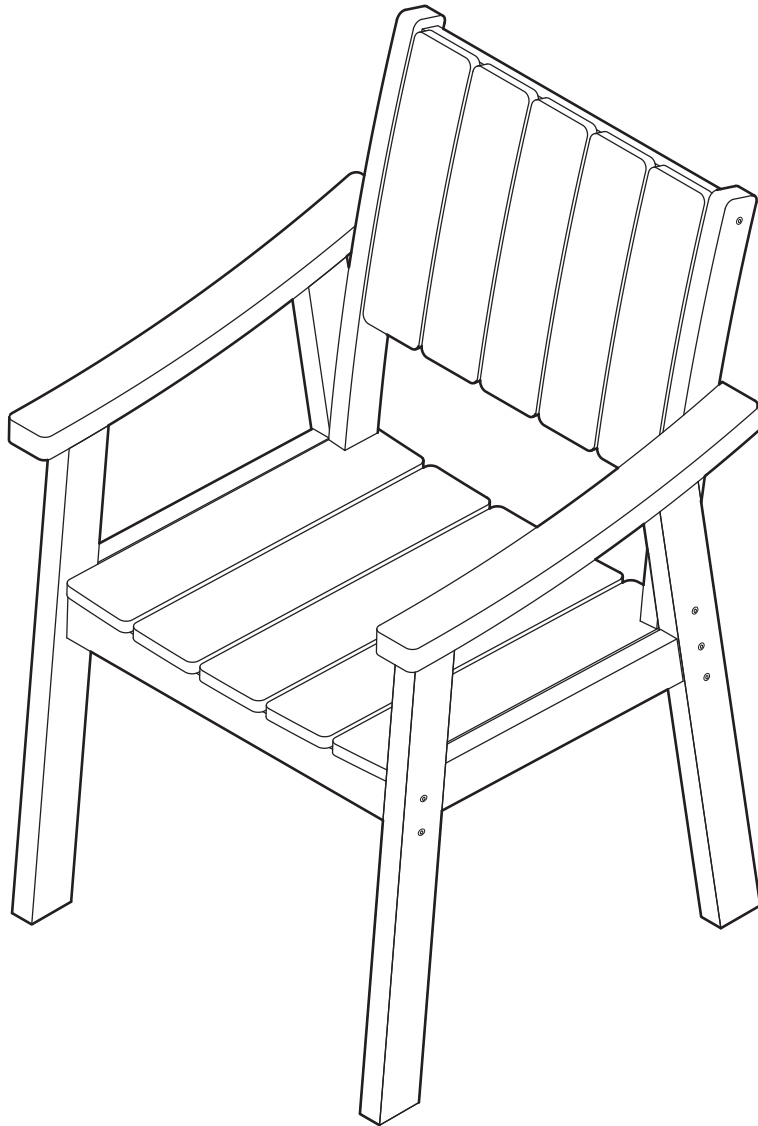


- PLEASE BE PATIENT THAT THE OTHER ITEMS ARE ON THE WAY IF YOU BUY MORE THAN ONE PRODUCT.

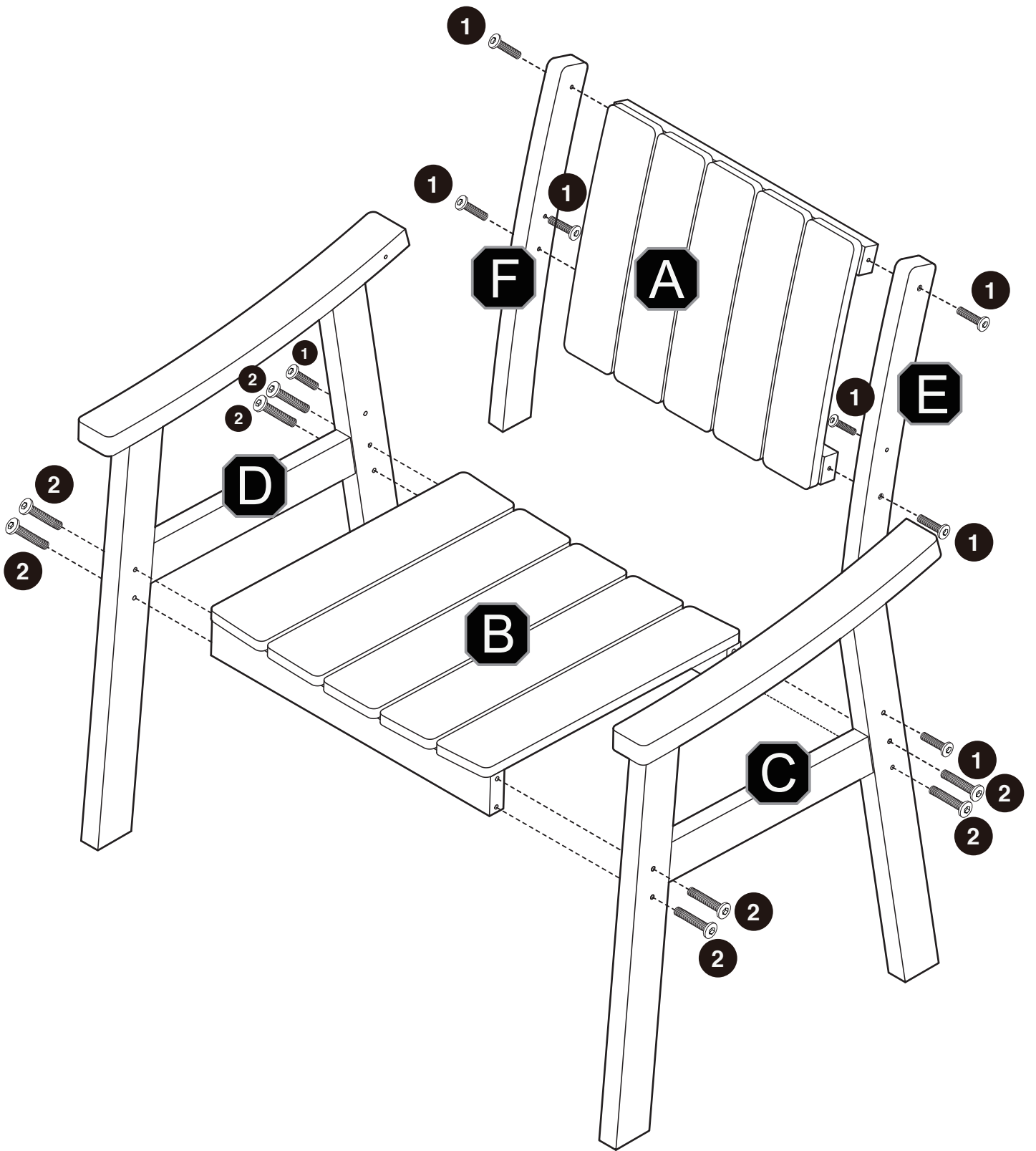
User's Manual

NOTE : *Please read instructions before assembly.*

If incorrect assembled, could reasonably result in the creation of a hazard!!!



Product Description	Dining Arm Chair	For Outdoor
--------------------------------	-------------------------	--------------------



1 X 8



M6*45 Bolt

2 X 8



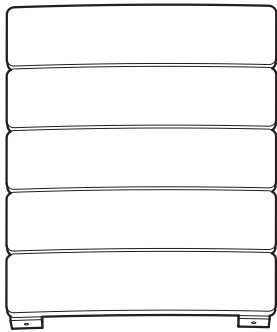
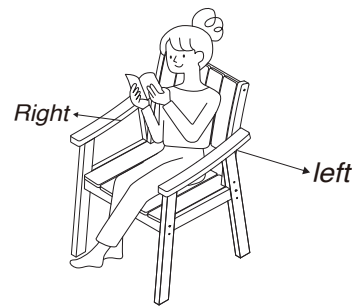
M6*60 Bolt

3 X 1

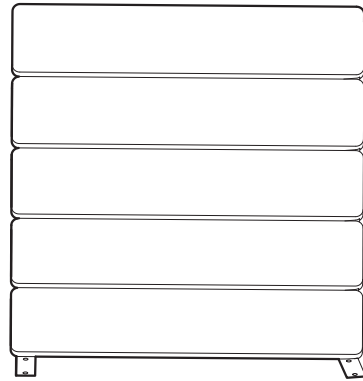


Screwdriver

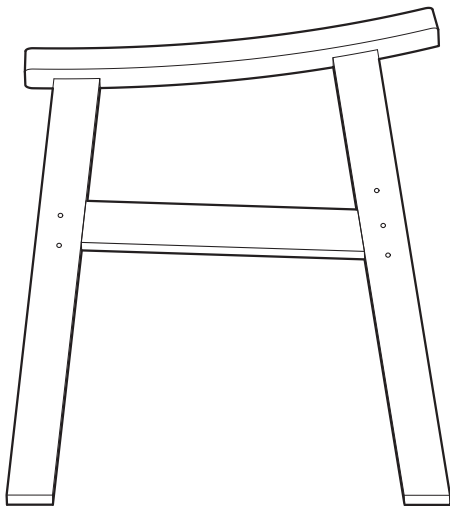
The left and right directions of the legs and armrests are determined based on the angle of a person sitting in the chair.



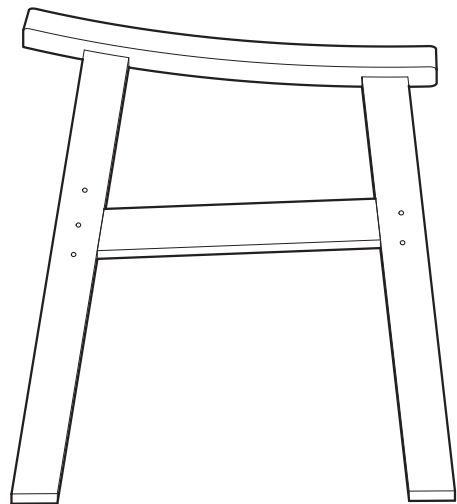
A Backrest X 1



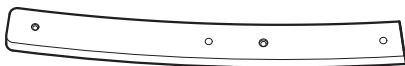
B Seat Pan X 1



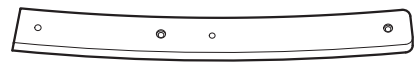
C Left Chair Leg X 1



D Right Chair Leg X 1



E Backrest Support Left X 1

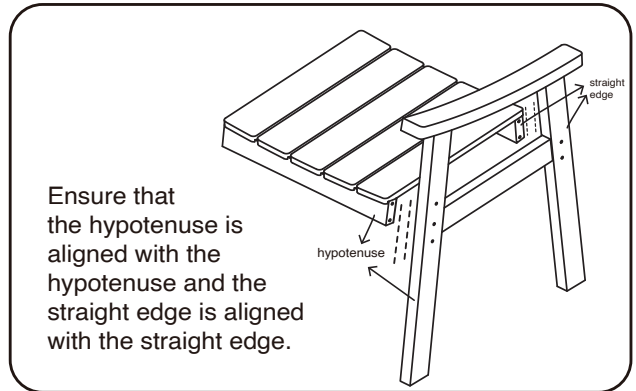
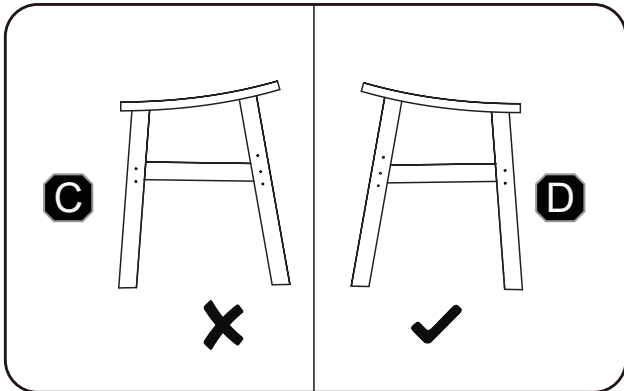


F Backrest Support Right X 1

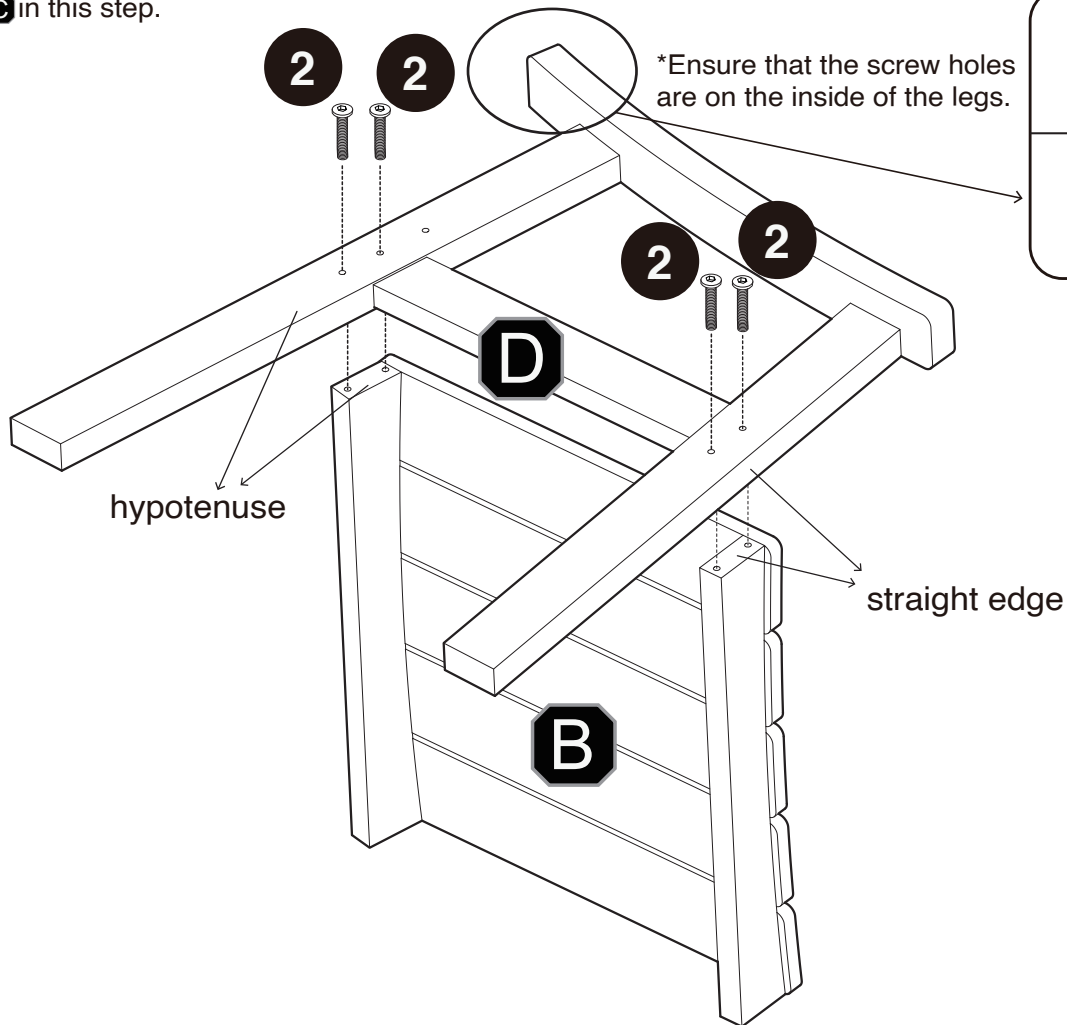
NOTE: ⚠

1. If it seems parts aren't fitting together you likely have something wrong and you should reread the instructions to ensure you are aligning the proper components.
2. When assembling the product, do not tighten the screws all the way at the first, tighten them to 70% , and then once all the screws are assembled, tighten them to 100%.

Step 1

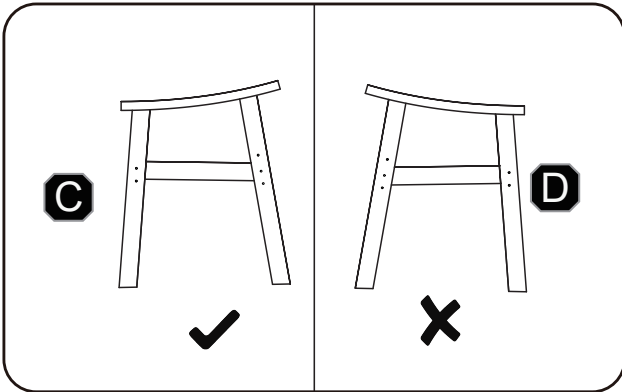


*Use Right Chair Leg **D** but not Left Chair Leg **C** in this step.

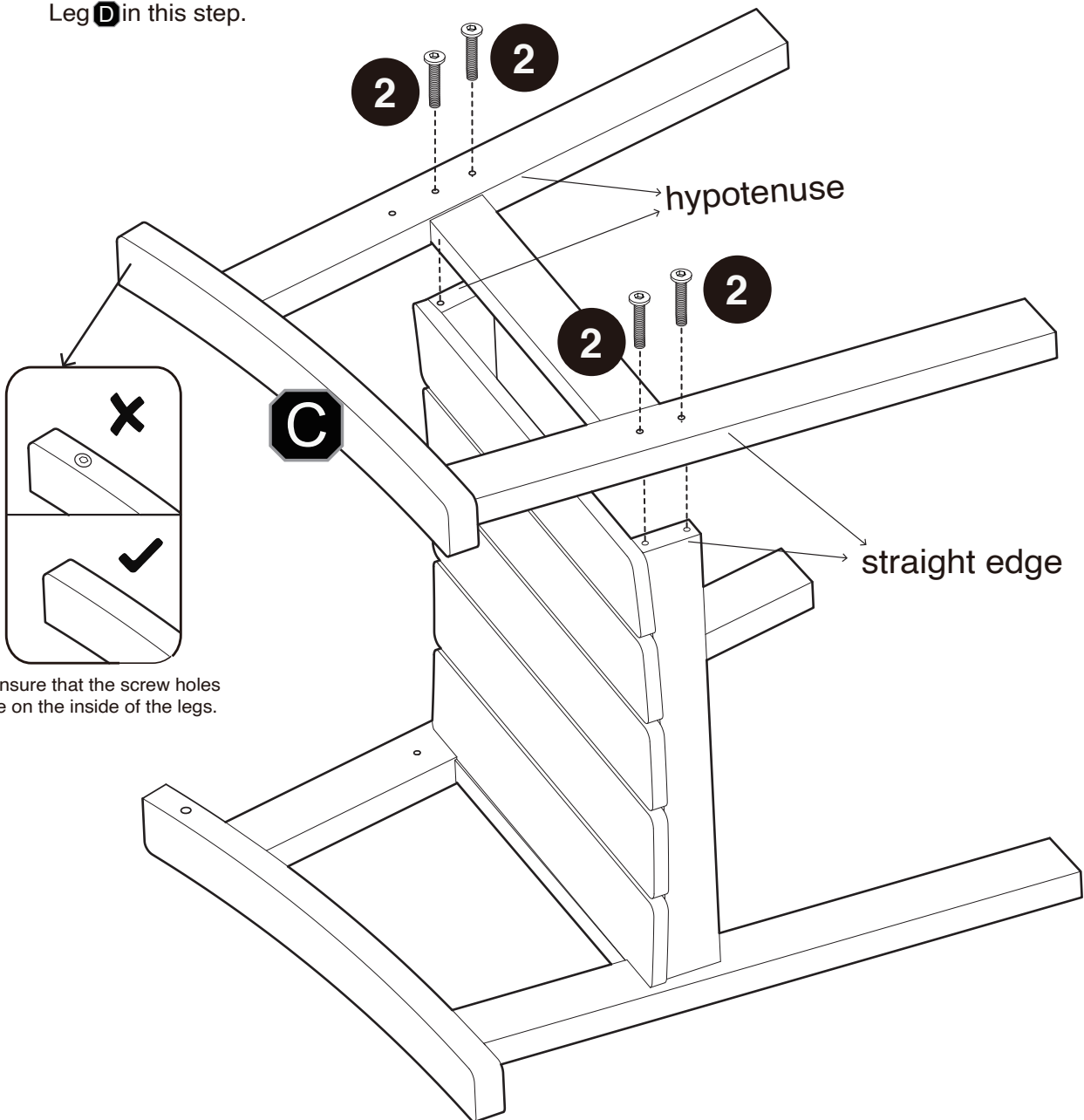
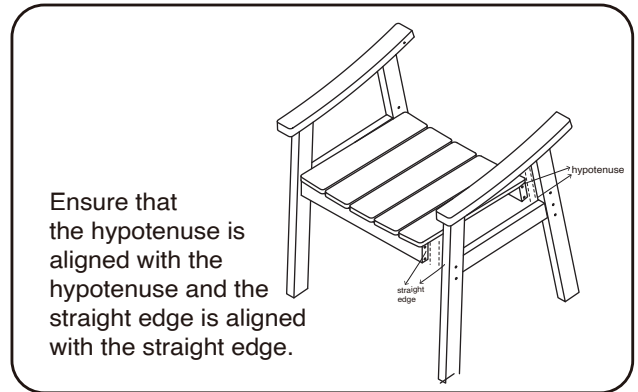


Use 4 screws **2** to connect Seat Pan **B** to Right Chair Leg **D**

Step 2



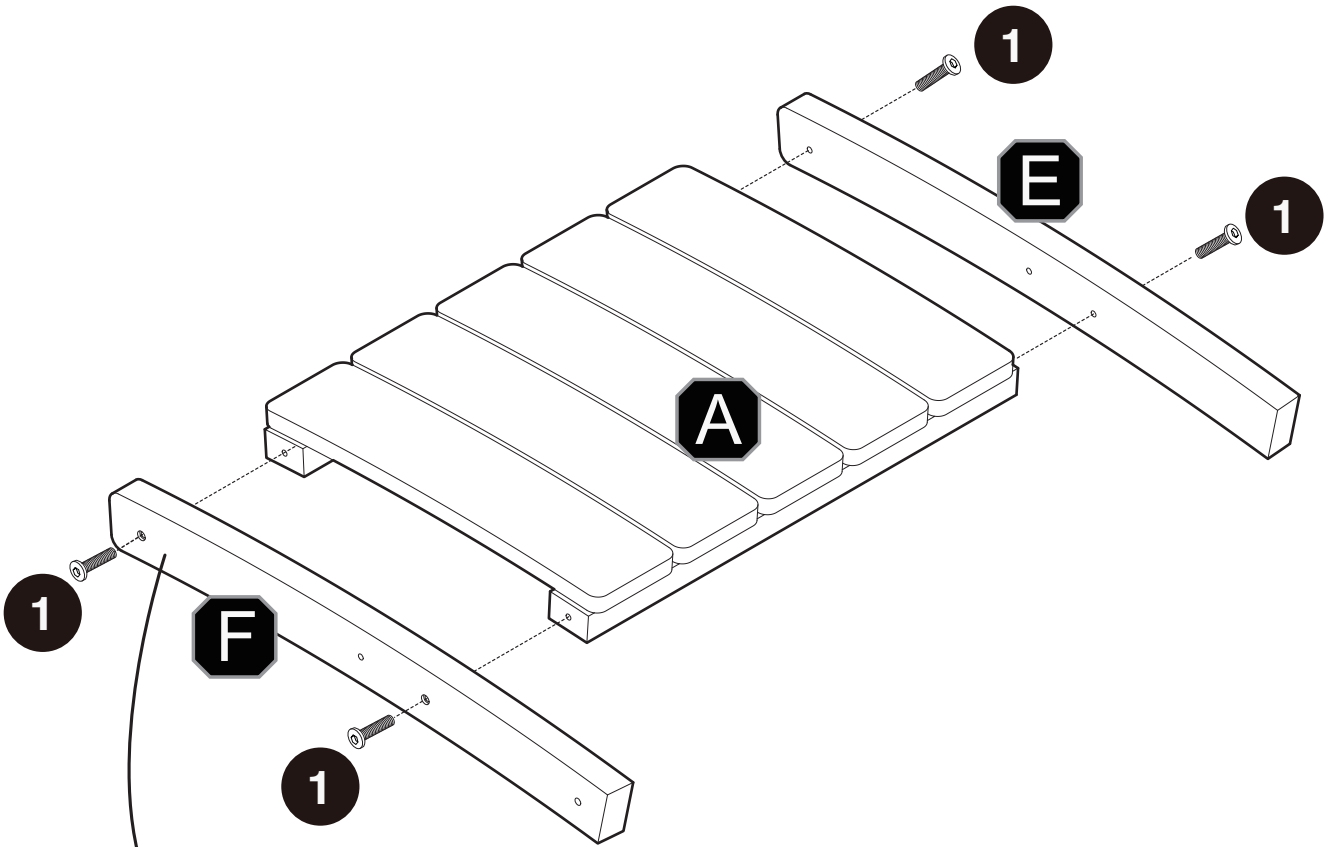
*Use Left Chair Leg **C** but not Right Chair Leg **D** in this step.



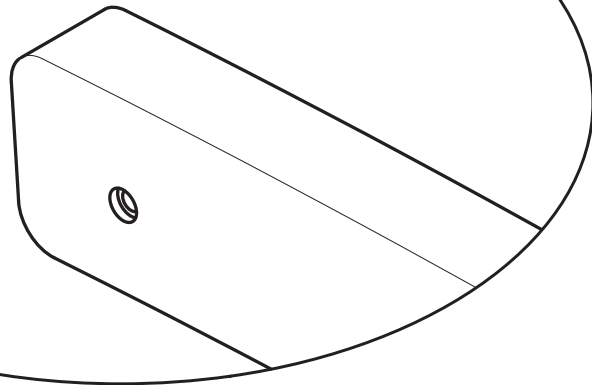
*Ensure that the screw holes are on the inside of the legs.

Use 4 screws **2** to connect Seat Pan **B** and Left Chair Leg **C** to Right Chair Leg **D**

Step 3

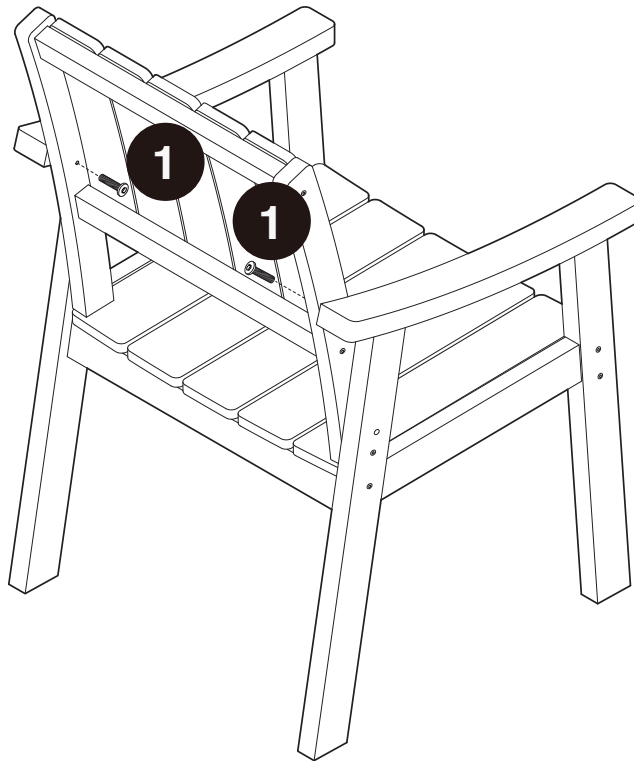


Please ensure that the countersunk holes are oriented outward.



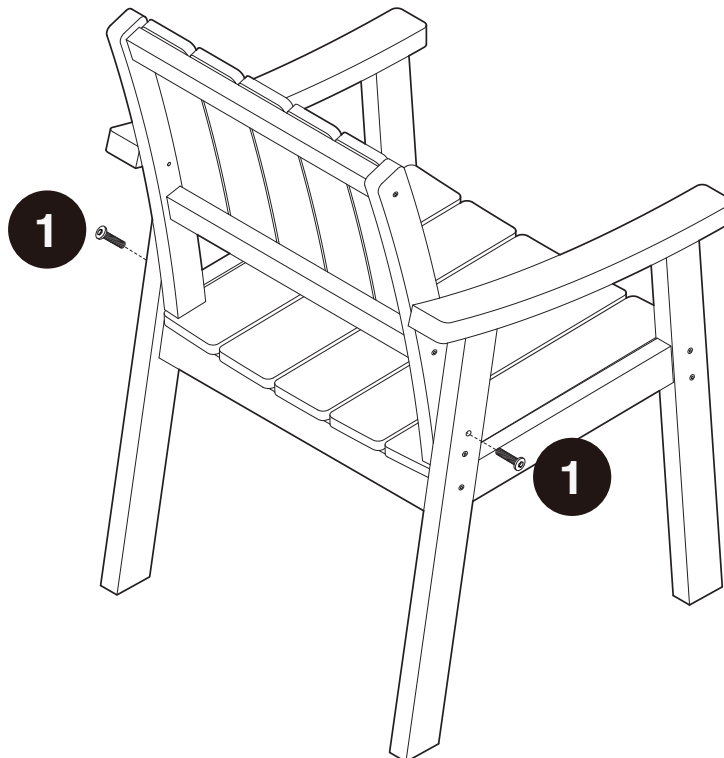
Use 4 screws **1** to connect Backrest Support Right **F** and Backrest Support Left **E** to Backrest **A**

Step 4



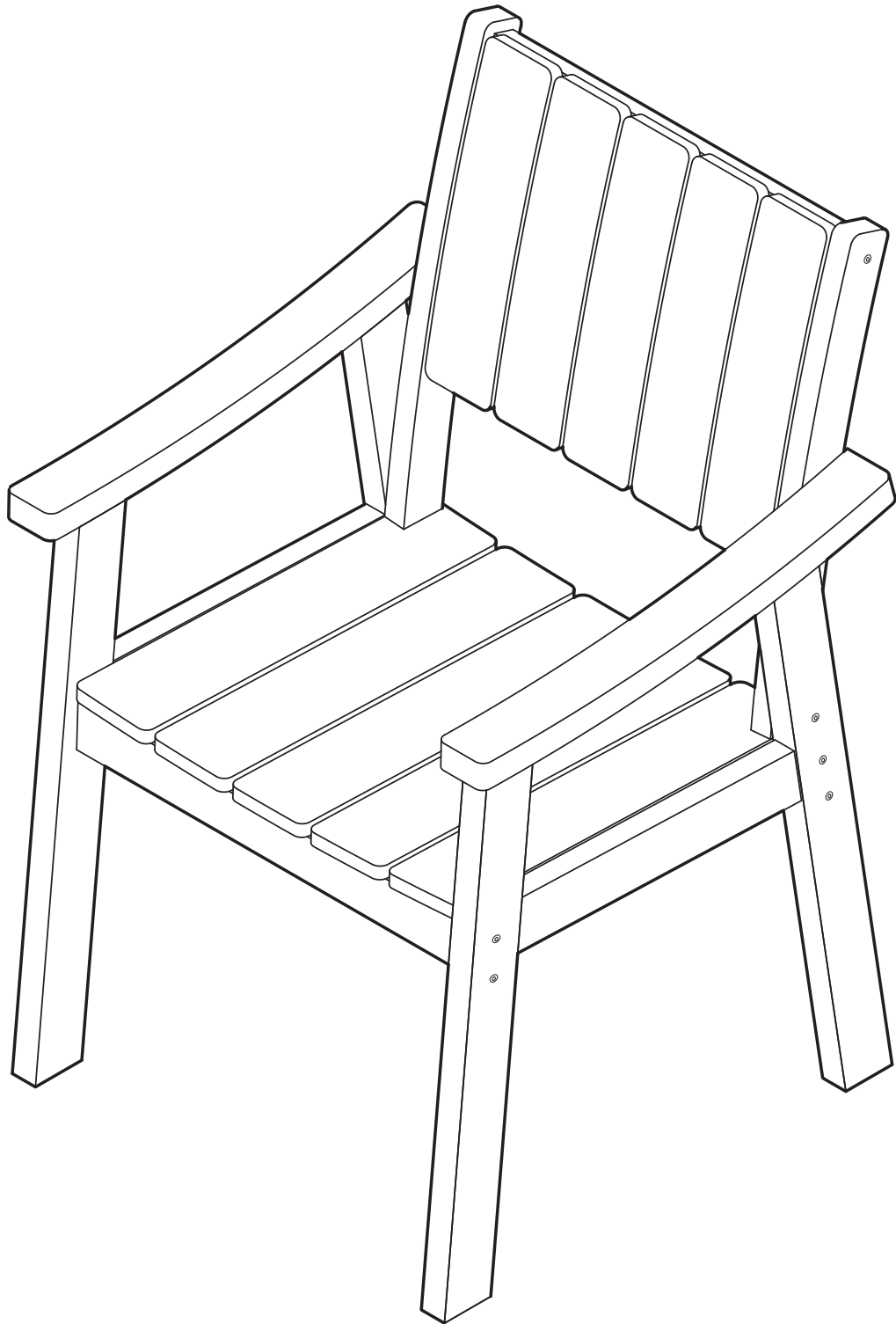
Use 2 screws **1** to connect Backrest to other components.

Step 5



Use 2 screws **1** to connect Backrest to other components.

Step 6



Tighten the screws that are currently at 70% to 100%.

Product Declaration

Product:	Dining Arm Chair
Main material:	HDPE
Product No:	Please refer to the label or the Assembly and User Instruction. The product code refers to the type, length and color of the product. As an example : "A"· Backrest, "B"· Seat Pan, "C"· Left Chair Leg, "D"· Right Chair Leg etc.
Technical character and size:	Please refer to the User's Manual.
Assembly and spare parts:	Please refer to the User's Manual.
Maintenance:	Please refer to the User's Manual.
Production date:	Please refer to the label on the outer package.

Since our establishment in 2016, WINGYZ has been dedicated to creating high-quality and authentic outdoor and indoor furnishings. Our skilled craftsmen use traditional techniques to transform the natural beauty into unique, functional pieces that add warmth and character to any home.



Low Maintenance

Our weather-resistant patio furniture cleans easily with soap and water, and you never need to paint, stain, or waterproof it, saving you time and money.



Color-Stay Technology

UV inhibitors and stabilizers protect from environmental degradation, along with light stable pigments, run throughout the lumber so you can enjoy rich color for years to come.



Weatherproof

Our all-weather patio furniture is built to handle the harshest conditions from hot sun and salt spray, to heavy winds and even blizzards.



Sustainability Minded

Our infinitely recyclable lumber is made from reusable plastics with a zero-waste mindset right here in the USA to leave behind the lightest footprint possible.

★ MAINTENANCE INSTRUCTIONS:

*Please read before beginning assembly! To avoid damaging furniture perform the assembly of your WINGYZ furniture on a clean soft surface like a blanket, carpet, or the flattened cardboard box the furniture was shipped in. Components should not be unnecessarily forced together! Use a Cordless Screw Gun if you have one and know how to use it. Set the clutch setting at medium torque. We do not recommend using an electric drill with a cord and without a clutch to install bolts in inserts as you can easily overtighten and damage the product. All bolts come standard with a thread coating to reduce bolts loosening after assembly while still allowing removal and reuse of the bolt.

Manufacturer: ShenZhen Seven Colours Electric Appliance Co., Ltd

Address: CN, 518000, guangdong, shenzhen, Longhua District, Longhua Street, Song He Community, Hui Shi Street, Lane 1, No.2,6/, 6A