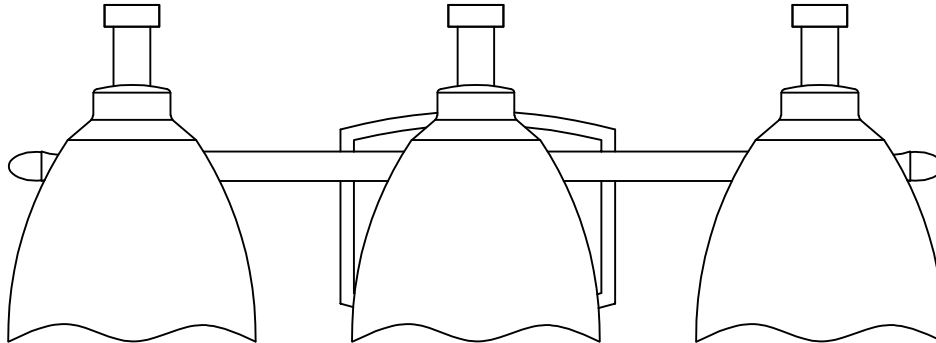


Installation Instructions



3x Max 60W Candelabra Base

Safety Information

READ AND SAVE THESE INSTRUCTIONS

1. For your protection and safety, carefully read and understand the information provided in this manual completely before attempting to assemble, install, or operate this product. Failure to do so could lead to electrical shock, fire, or other injuries that could be hazardous or even fatal.
2. Before touching any wire, use a voltage tester to make sure it is not live.
3. When replacing fuses, turn off the main power first. Make sure your hands and feet are dry, and place one hand behind your back to prevent electricity from making a complete circuit through your chest. Touch the plug fuse only by its insulated rim. Remove cartridge fuses with a fuse puller.
4. Use tools with insulated handles and ladders made of wood or fiberglass.
5. To protect children, place a safety cover over any unused outlets.



DANGER: Before starting installation of this fixture or removal of a previous fixture, disconnect the power by turning off the circuit breaker, removing the fuse at the fuse box, or tripping the breaker that controls that circuit. Tape a sign to the panel warning others to leave the circuit alone while you work.



CAUTION: CONSULT A QUALIFIED ELECTRICIAN IF YOU HAVE ANY ELECTRICAL QUESTIONS. If you have any non-electrical questions about this fixture please contact our customer service via the distributor where you purchased this product from. We will be more than happy to assist.

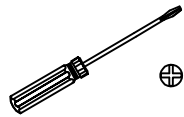
Pre-Installation

PLANNING INSTALLATION

Read all instructions before installing.

To avoid damaging this product, place it on a soft, non-abrasive surface, such as carpet or cardboard.

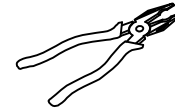
TOOLS REQUIRED (NOT INCLUDED)



Phillips
Screwdriver



Wire
Stripper



Pliers

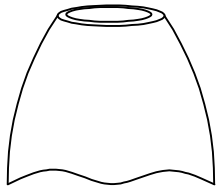


Safety
Goggles

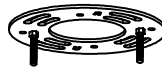


Electrical
Tape

HARDWARE INCLUDED



glass 3PCS



hanging board 1PCS



3PCS



3PCS



3PCS



2PCS



1PCS



2PCS



decorative accessories 2PCS



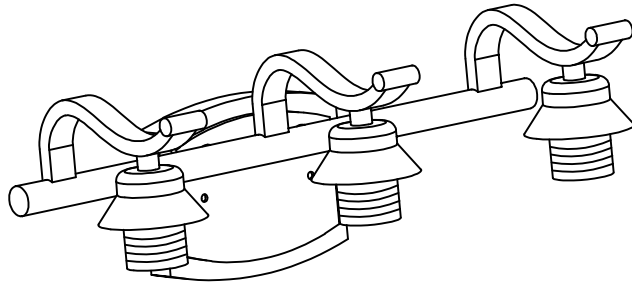
Cap nut 2PCS

Assembly Instructions

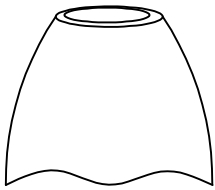
Assembly of this fixture will be accomplished by first determining the length of stem or chain required, attaching the mounting plate to the junction box, making all necessary electrical connections, hanging the fixture from the ceiling and then installing the fixture

Safety Warning

Read wiring and grounding instruction and any additional directions. Turn power supply off during installation. If new wiring is required, consult a qualified electrician or local authorities for code requirements.



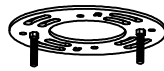
lamp body 1PCS



glass 3PCS



decorative accessories 2PCS



hanging board 1PCS



Cap nut 2PCS



3PCS



3PCS



3PCS



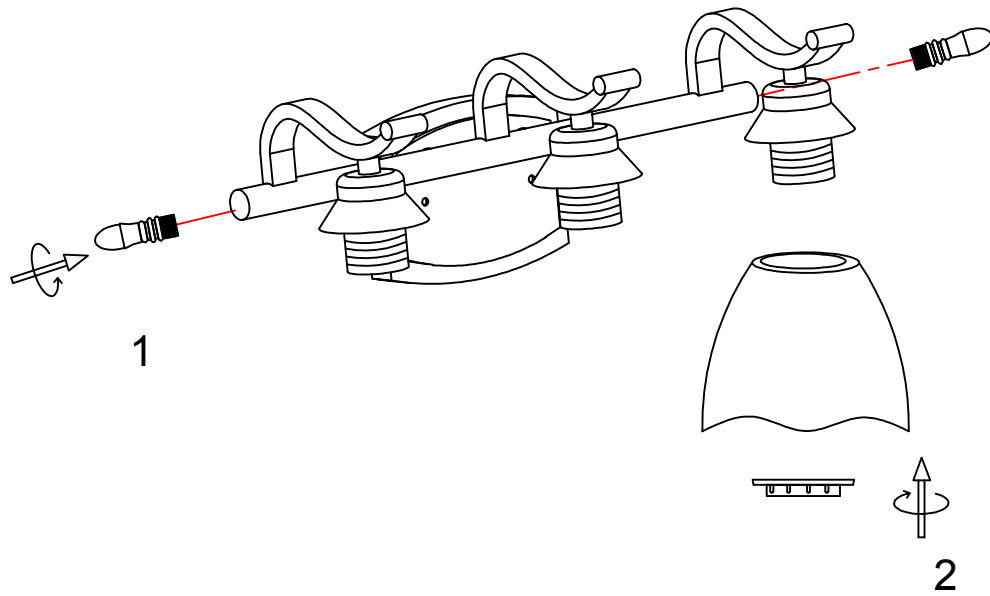
2PCS



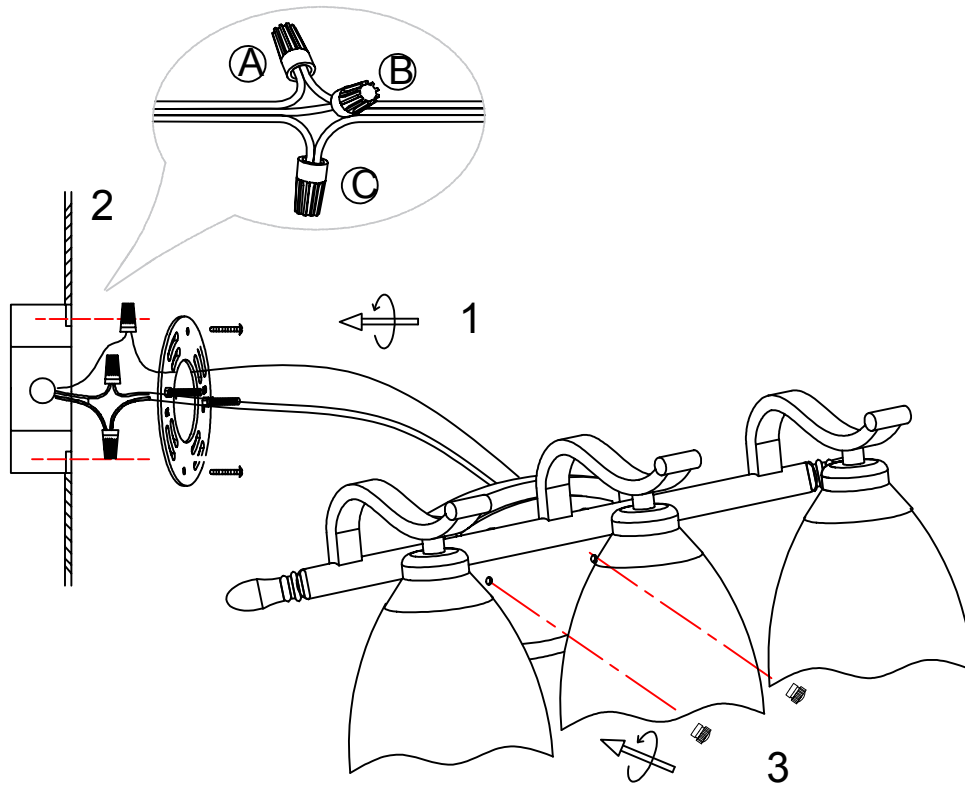
1PCS



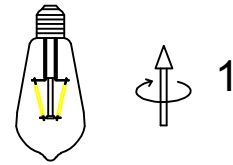
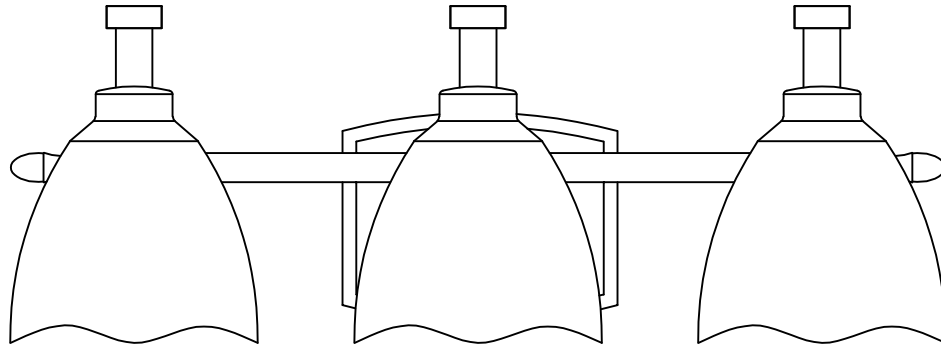
2PCS



1. Fix decorative accessories onto the main body of the lamp
2. Use a lamp holder ring to fix the glass onto the lamp holder



1. Install the hanging board on the wall junction box
2. Connect the wires to the home circuit and distinguish between positive and negative
3. The lamp body through the screw on the hanging board and is fixed with a cap nut



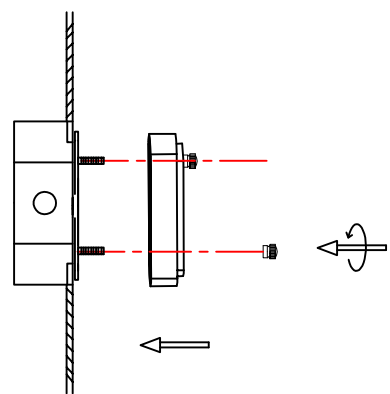
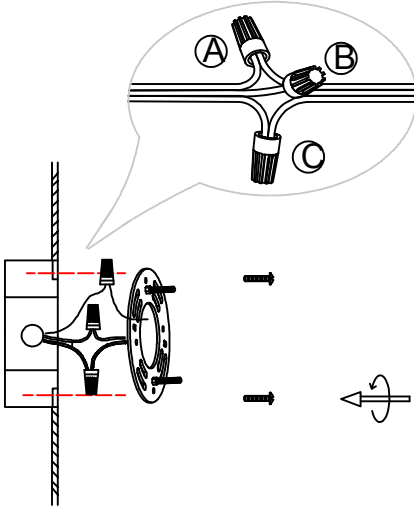
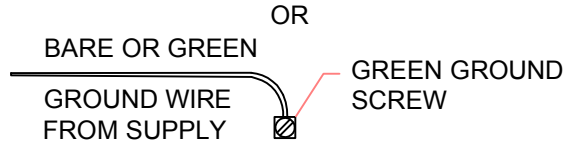
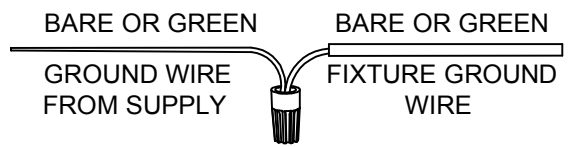
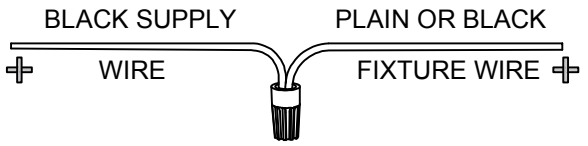
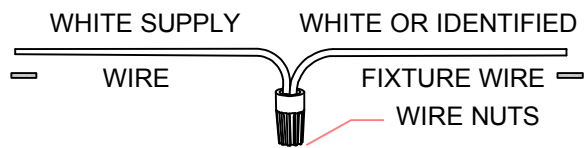
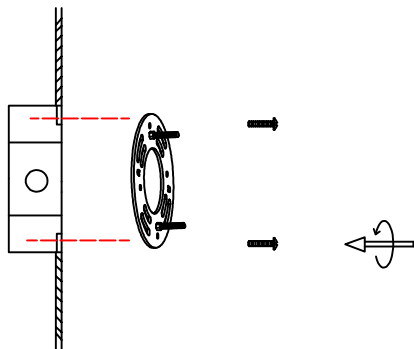
(Bulbs not included)

1. Twist the light bulb onto the lamp head

Please read carefully before installation!!!

Note : Please make sure that the electricity is powered off during installation !

Only a professional electrician should install this kind of product !



Disclaimer

Read this disclaimer completely and carefully before proceeding with the rest of the manual content.

1.Product Modifications

Any modifications or alterations to this product void any warranties and may result in damage or injury. We shall not be liable for any damages resulting from such modifications or alterations.

2.Compliance with Laws

Customers shall be liable for ensuring that the use of this product complies with all applicable laws and regulations in their respective jurisdictions. We shall not be responsible for any violations of laws or regulations resulting from the use of this product.

3.Correct Use

Always use this product only as directed in the accompanying manuals. Failure to follow instructions may result in injury or damage. Always ensure the assembly, installation, operation, maintenance, or repair of this product is carried out by a competent person. Regular maintenance should be performed throughout the lifecycle of this product. You are responsible for ensuring this product operate as intended. Always wear appropriate protective gear.

4.Third-Party Products

We shall not be liable for any damages or losses resulting from the use of third-party products in conjunction with our products. Customers shall refer to the third-party' sguidelines or/and warranties (if any) for any third-partyproducts used.

5.Limitation of Liability

We shall not be liable for any direct, indirect, punitive, incidental, special, or consequential damages to property or life, whatsoever arising out of or connected with the use or misuse of our products. In no event shall our liability exceed the value of the products sold.

6.Warranty

Refer to the sales page for warranty information.

This disclaimer states the entire obligation of us with respect to this product. If any part of this disclaimer is determined to be void, invalid, unenforceable, or illegal, including but not limited to the warranty disclaimers, liability disclaimers, and liability limitations set forth above, the invalid or unenforceable provision will be deemed superseded by a valid and enforceable provision that most closely matches the intent of the original provision and the remainder of the agreement shall remain in full force and effect.