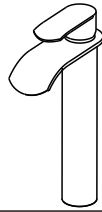


SINGLE HANDLE CENTERSET BATHROOM FAUCETS



2329800

You may need

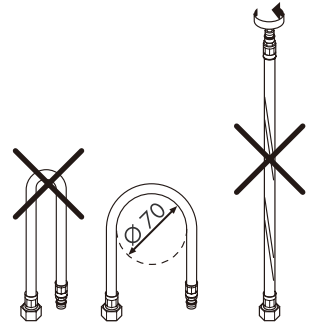
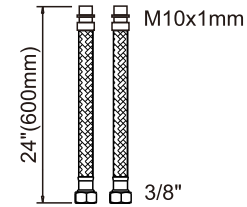
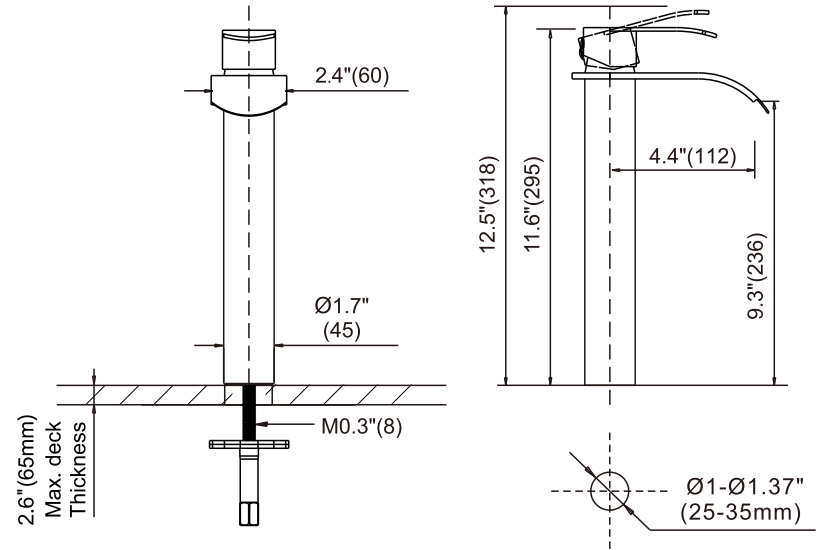


Cleaning and Care

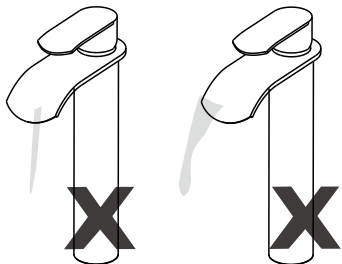
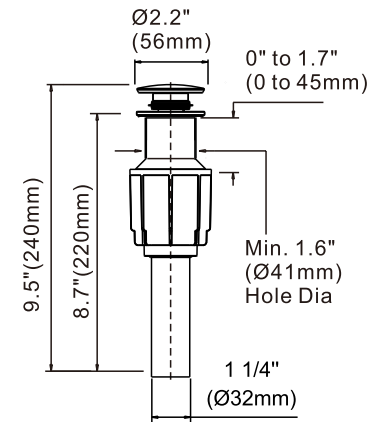
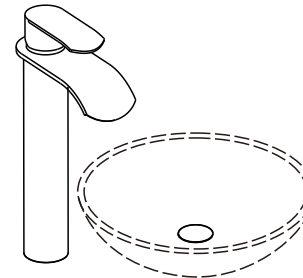
Care should be given to the cleaning of this product. Although its finish is extremely durable, it can be damaged by harsh abrasives or polish. To clean, simply wipe gently with a damp cloth and blot dry with a soft towel.

With 1.2 gpm are compliant with California water efficiency regulations, Complies with California Proposition 65 and with the Federal Safe Drinking Water Act.

unit:inch (mm)

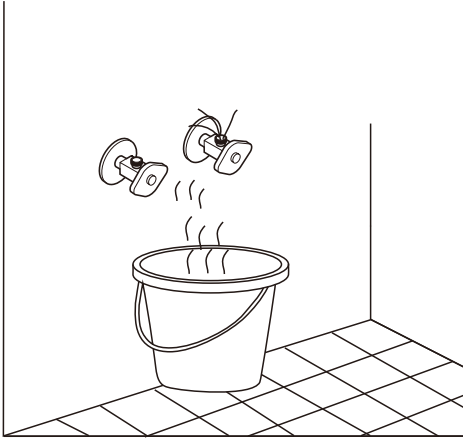


Pop-up Without Overflow

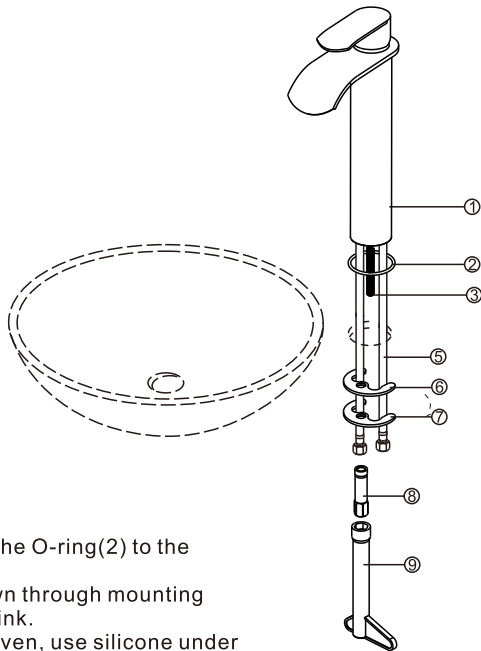


Notes

Before installing the valves, clean the water pipe thoroughly to avoid dirt and deposits.

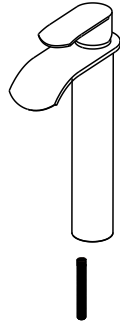


3



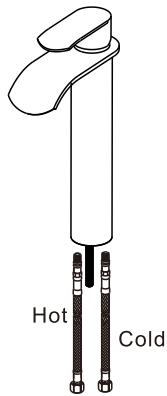
1. Make sure attach the O-ring(2) to the base of faucet body.
2. Slide tubes(5) down through mounting hole and faucet on sink.
Option: If sink is uneven, use silicone under the gasket.
3. Place washer(6) and metal plate(7) over thread rod(3) under sink.
4. Secure the M8 nut(8) to the thread rod(3) with tool(9).

1



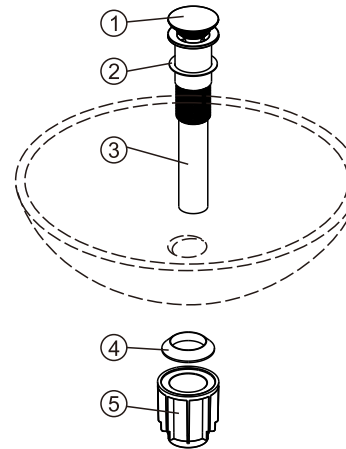
Attach thread rod under faucet body

2



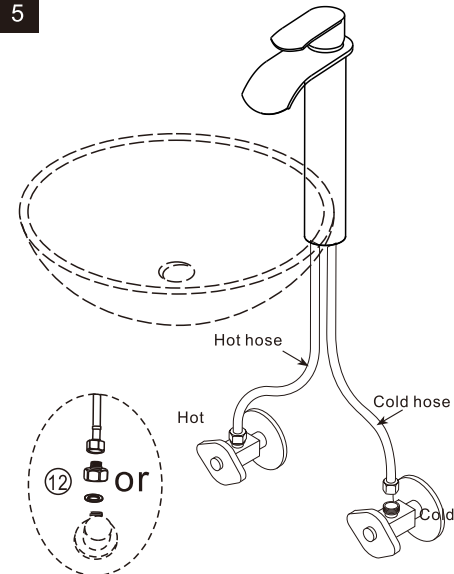
Attach flexible hoses under the faucet body.

4



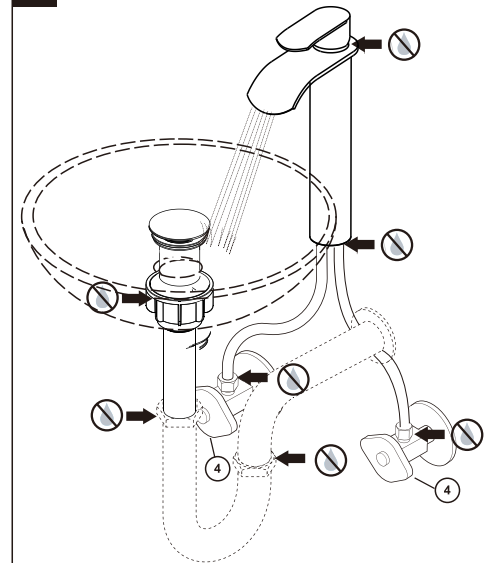
1. Remove the washer (2), black gasket (4) and nut (5) from the assembly.
2. Slide washer (2) up to underside of flange (3). Insert flange (3) and washer (2) into sink and secure with the black gasket (4) washer and nut (5) from underneath the sink.
3. Put down and check the Springloaded stopper (1).
4. Connect assembly to drain.

5



Secure metal nut on faucet supply hoses to supply valve connection and hand tighten, then tighten one additional revolution with wrench.
DO NOT OVERTIGHTEN.
Repeat for other hose connection making sure the hose with the hot label is connected to the hot supply valve and the other hose is connected to the cold supply valve.
WARNING: Do not use pipe dope or other sealants on water connections. If the angle is G1/2", please use G3/8" standard pipe connection G1/2" adapter included (12).

6



FLUSH SYSTEM/CHECK FOR LEAKS.
Turn on hot and cold water supplies and flush water lines for one minute. Check all connections at arrows for leaks. Retighten if necessary, but do not overtighten.