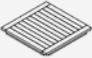










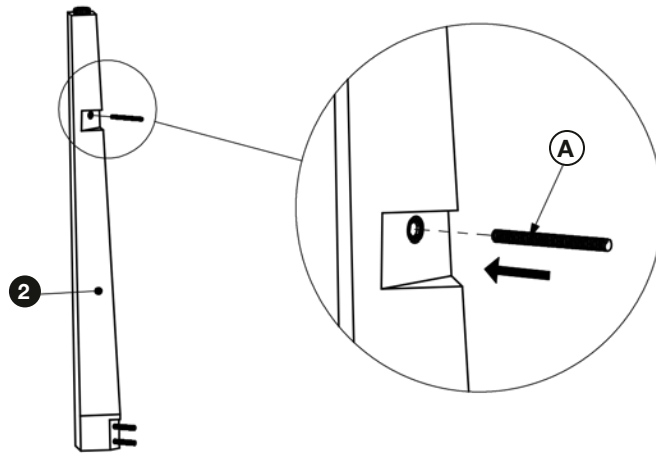


PARTS CHECKLIST		
1		Table Top (1 pc)
2		Leg (4 pc)
3		X-Base Stretcher (1 pc)

HARDWARE CHECKLIST		
A		Threaded Rod M6x75mm (4 pcs)
B		Long Nut M6x15mm (4 pcs)
C		Curved Washer (4 pcs)
D		Nut M8x11mm (8 pcs)
E		Spring Washer M6x11mm (8 pcs)
F		Flat Washer M6x18mm (8 pcs)
G		Wrench 10 (1 pc)
H		Wrench 13 (1 pc)

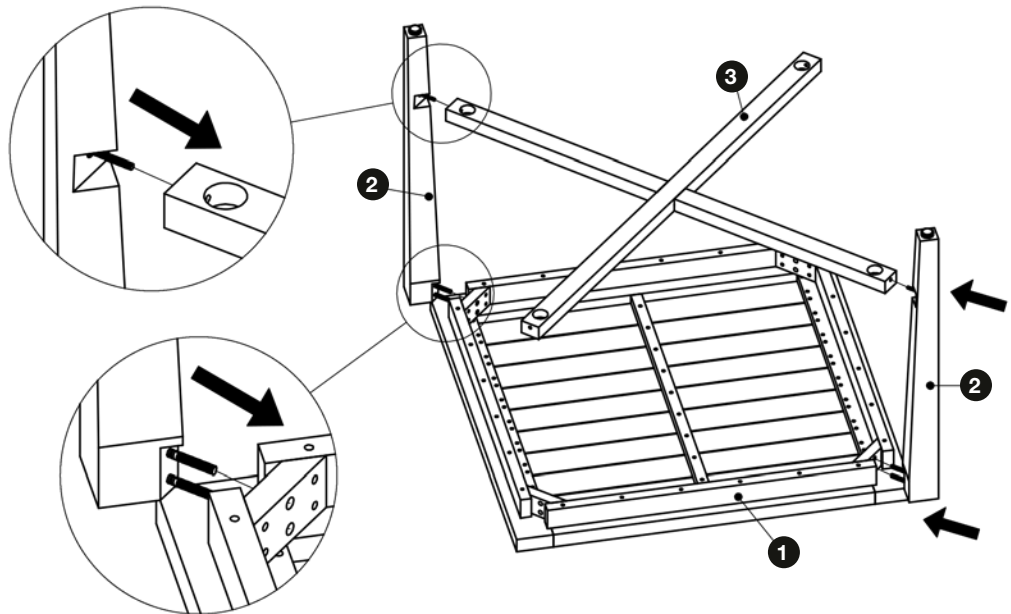
Step 1

Insert the threaded rod into the leg.



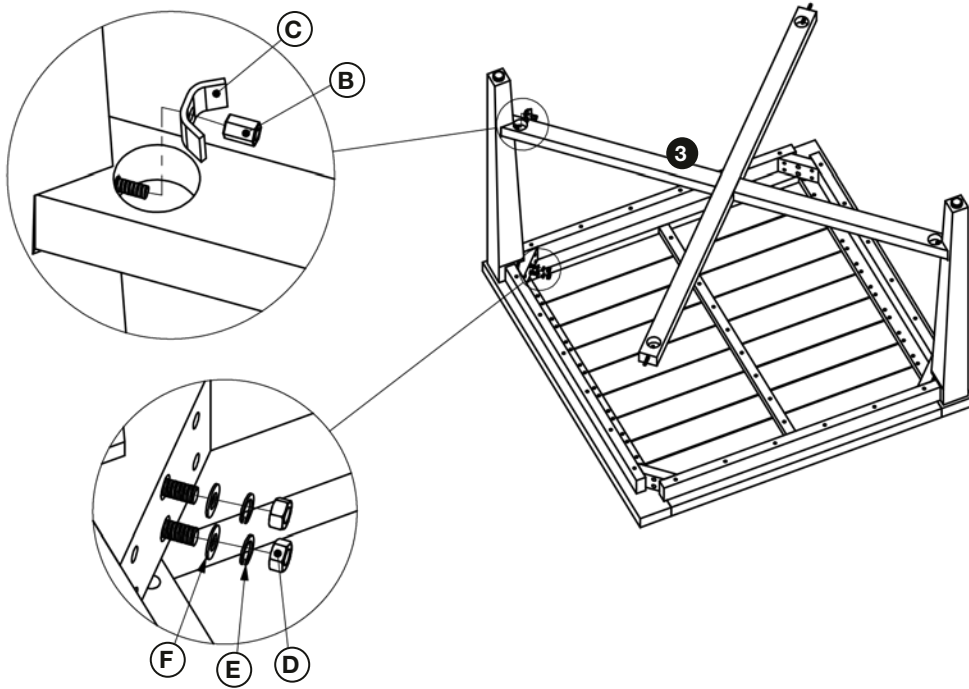
Step 2

Attach two legs on opposite corners.



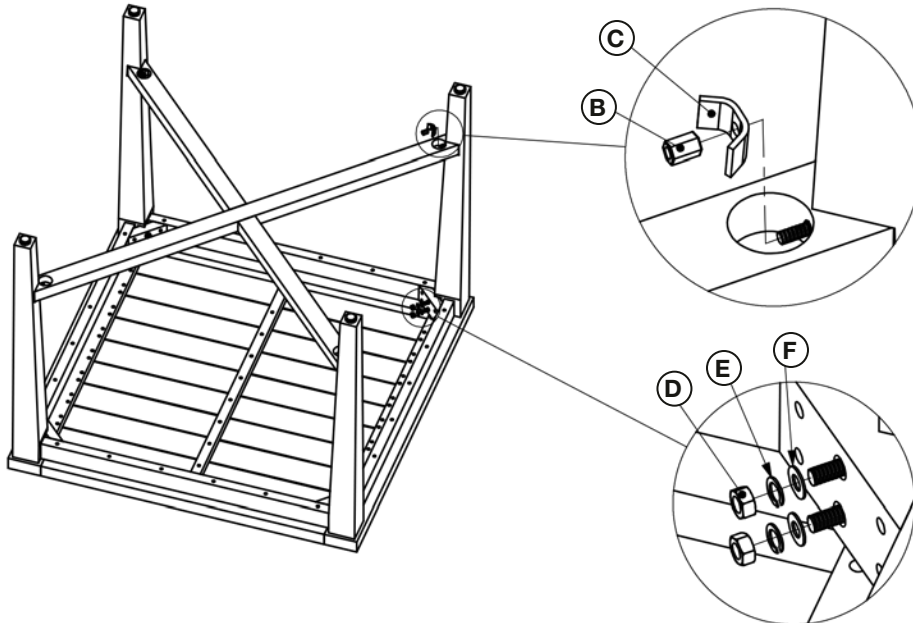
Step 3

Attach X-Base Stretcher. Do not tighten the bolts until all pieces have been connected.



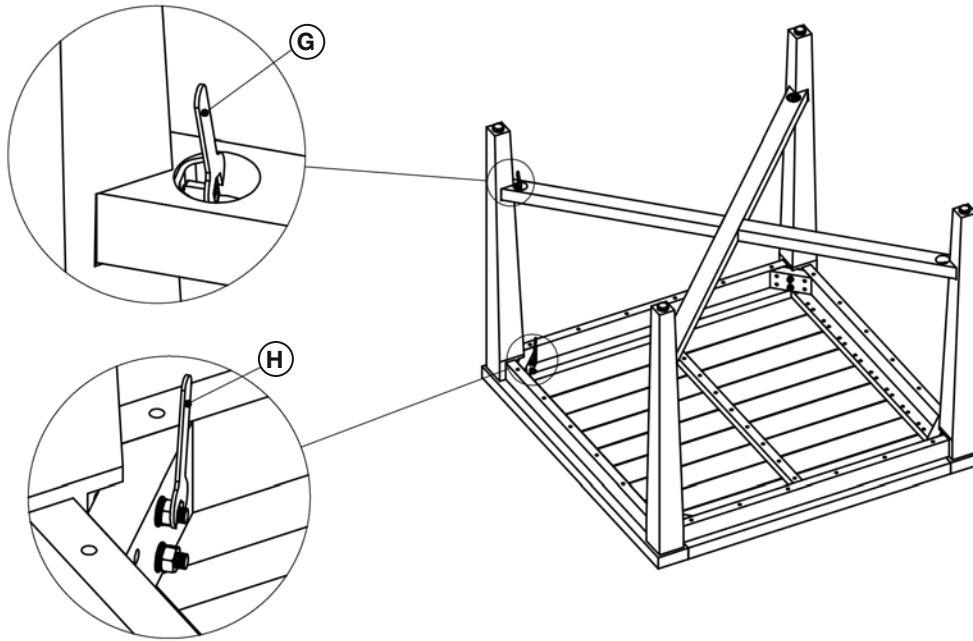
Step 4

Attach the remaining two legs on opposite corners. Do not tighten the bolts until all pieces have been connected.



Step 5

Tighten all bolts completely.



Step 6

Adjust feet levelers.

