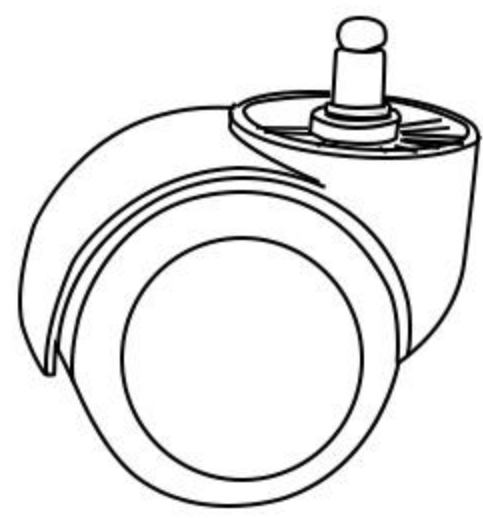
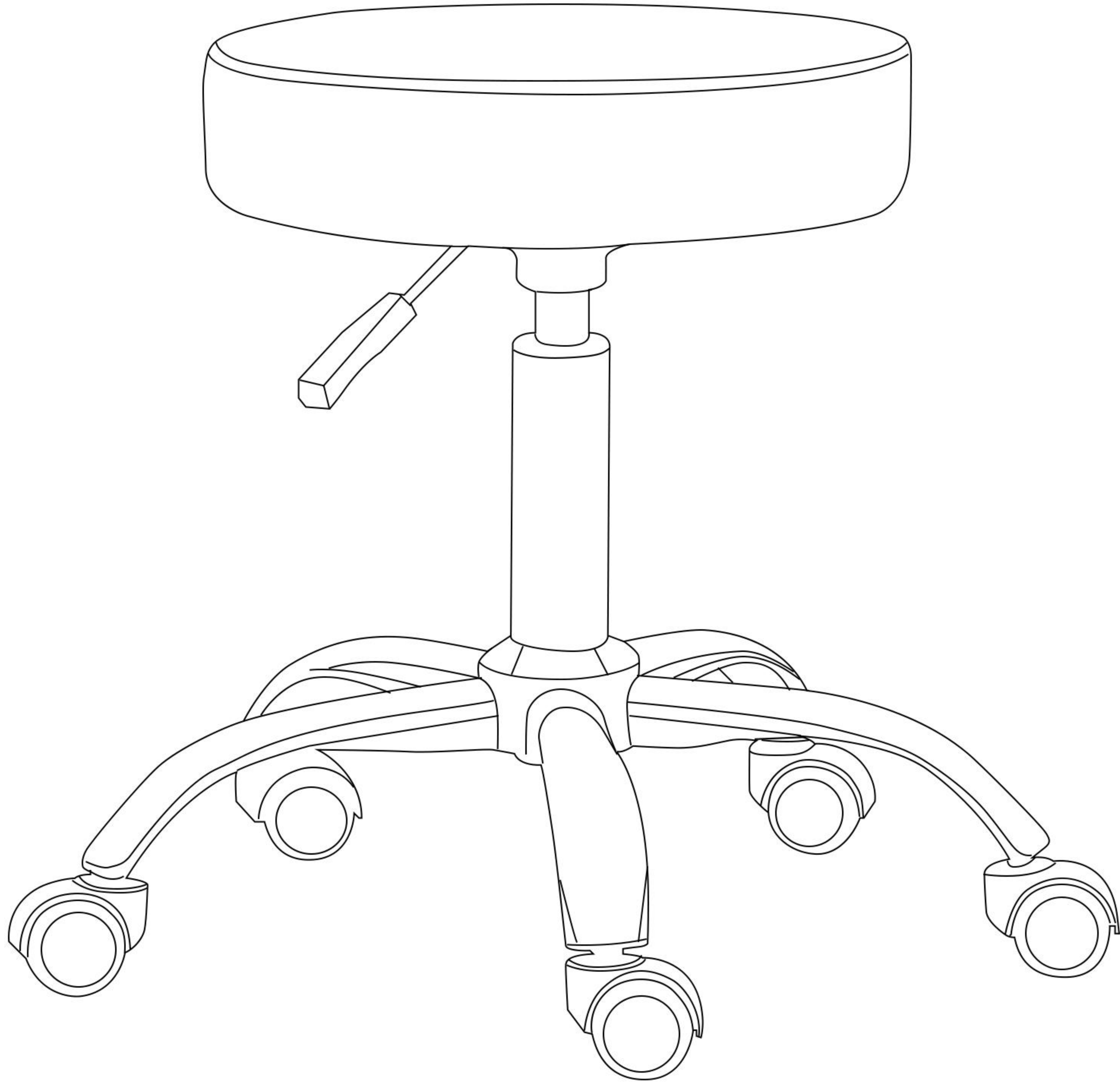


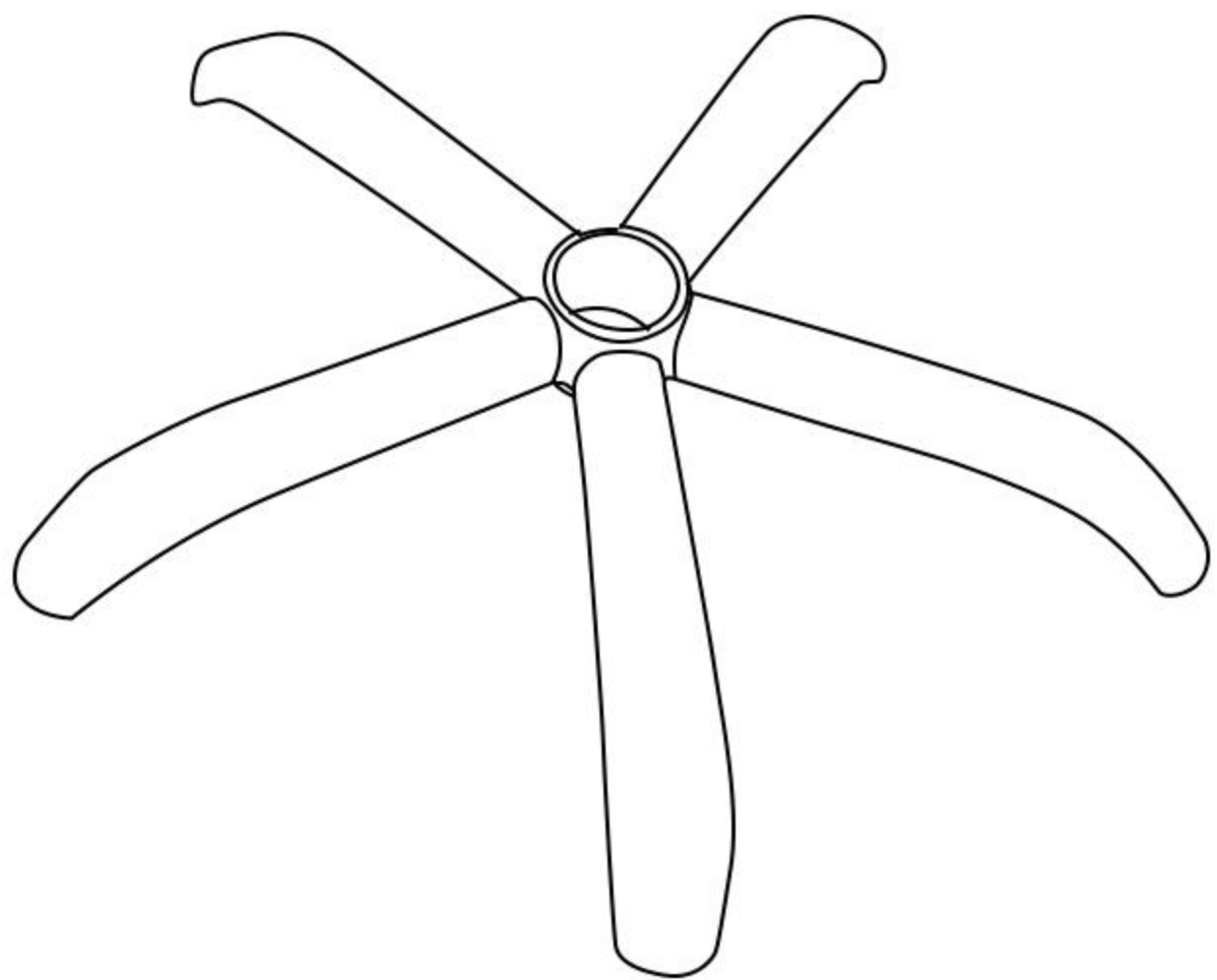
Chair installation manual



① x5



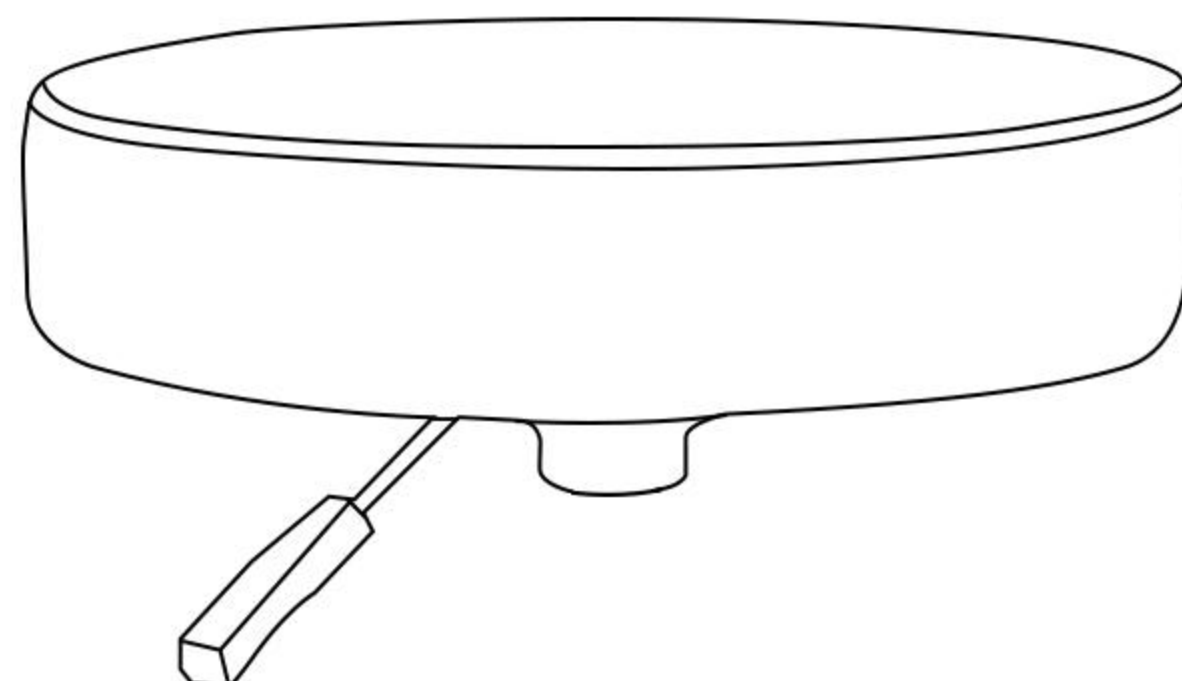
②



③



④

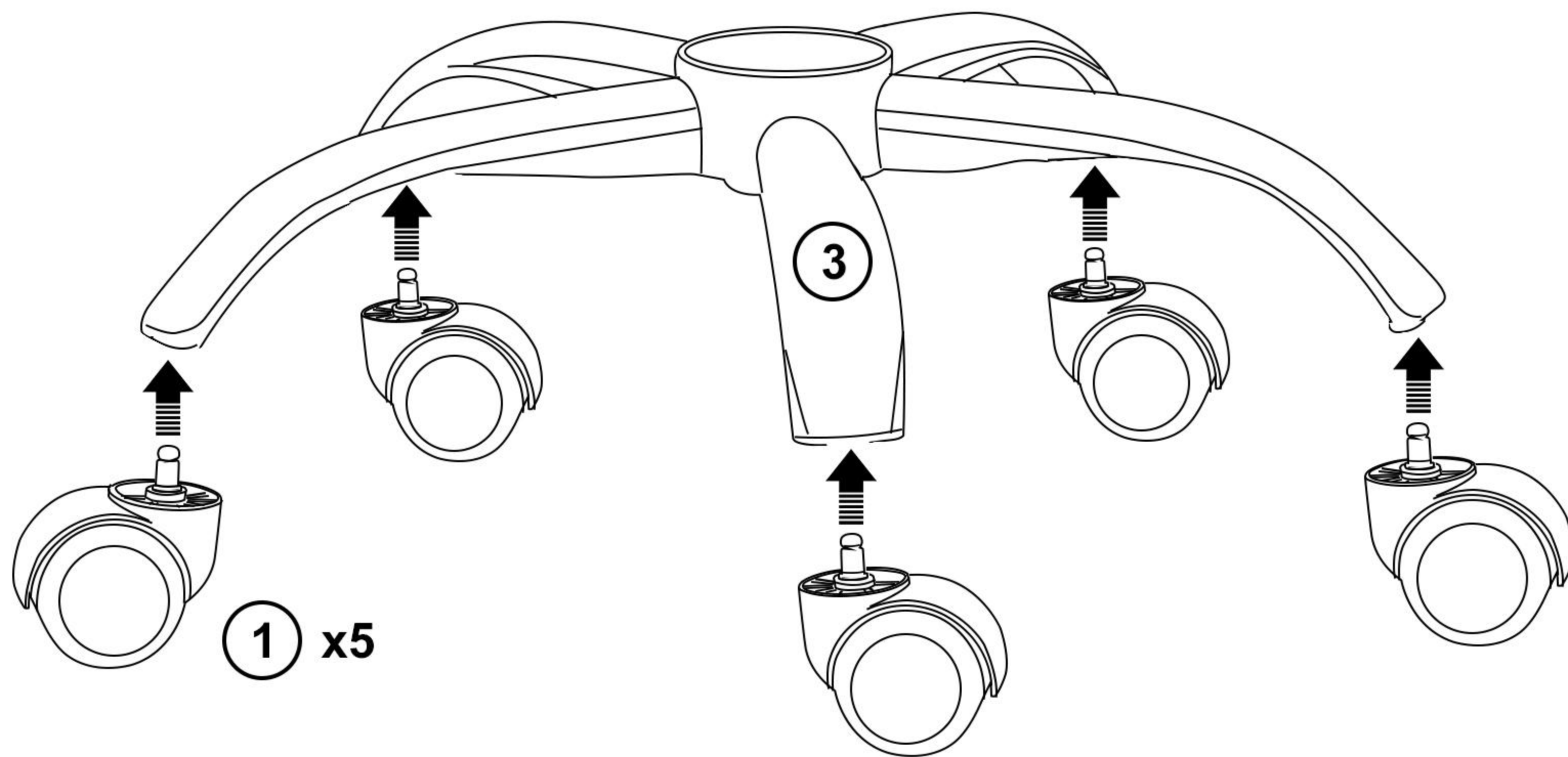


⑤

I. Operating Steps

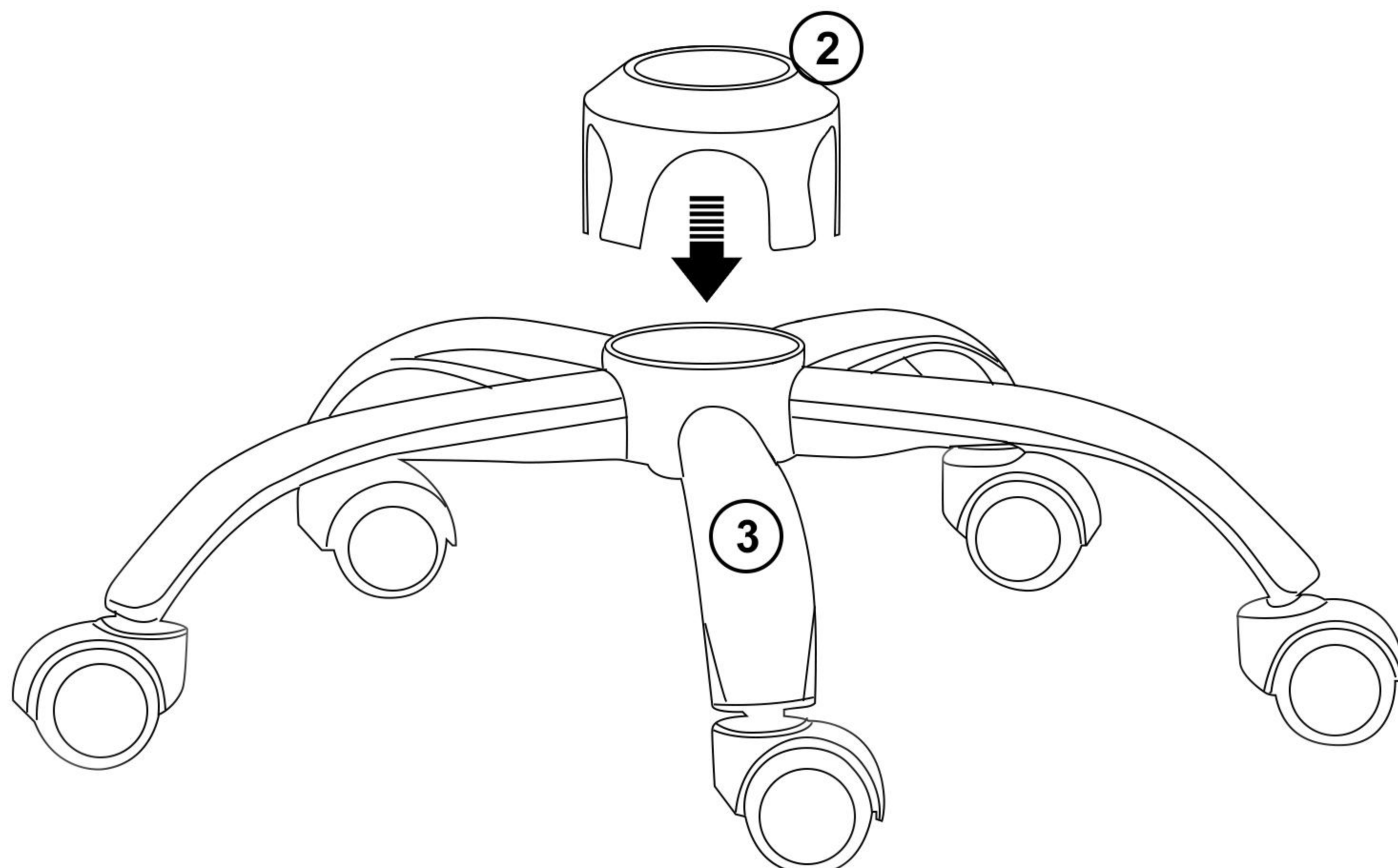
step 1

① Insert the five casters in ③



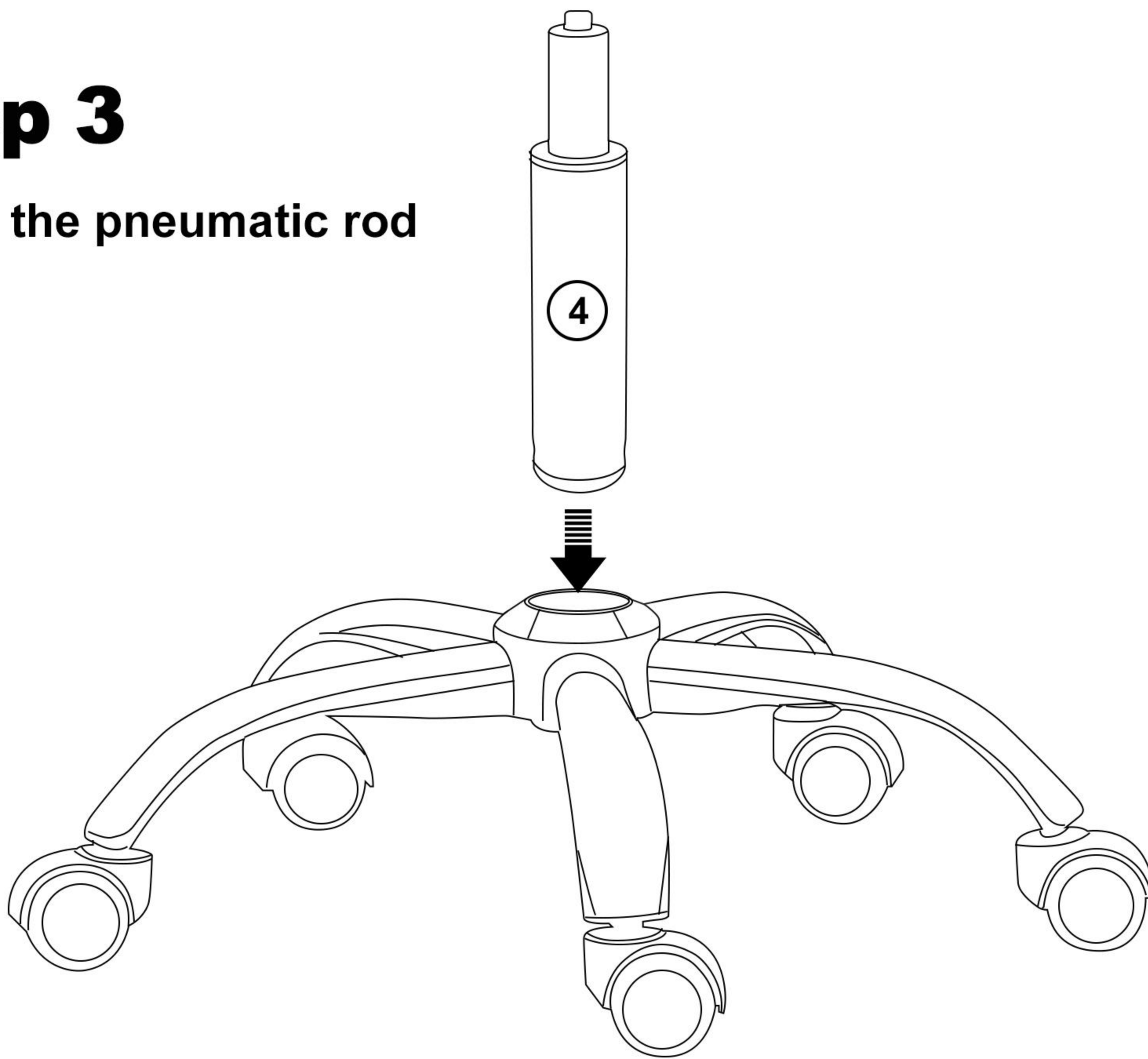
step 2

Insert the aesthetically pleasing cover



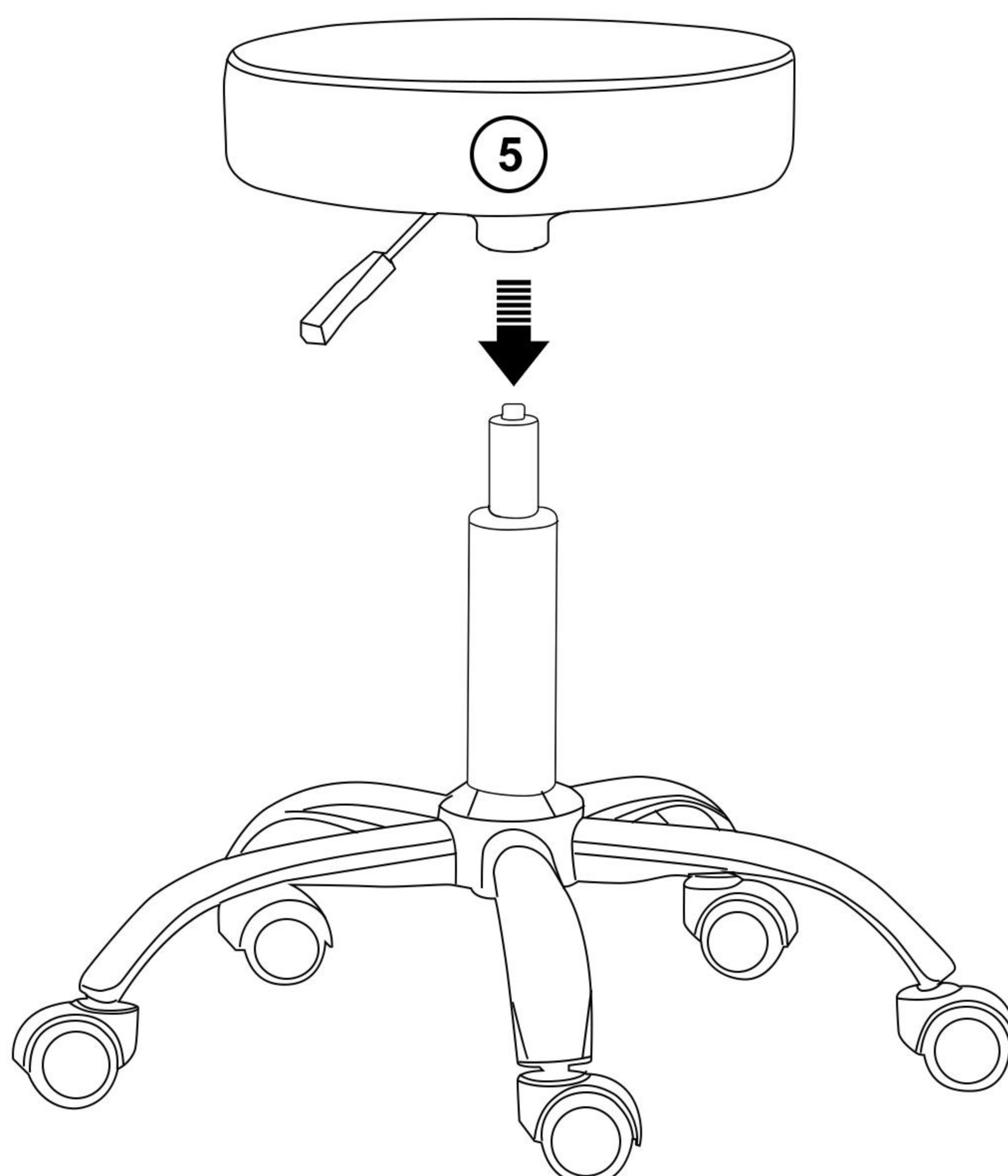
step 3

Insert the pneumatic rod



step 4

Insert into the seat surface



step 5

Complete.

