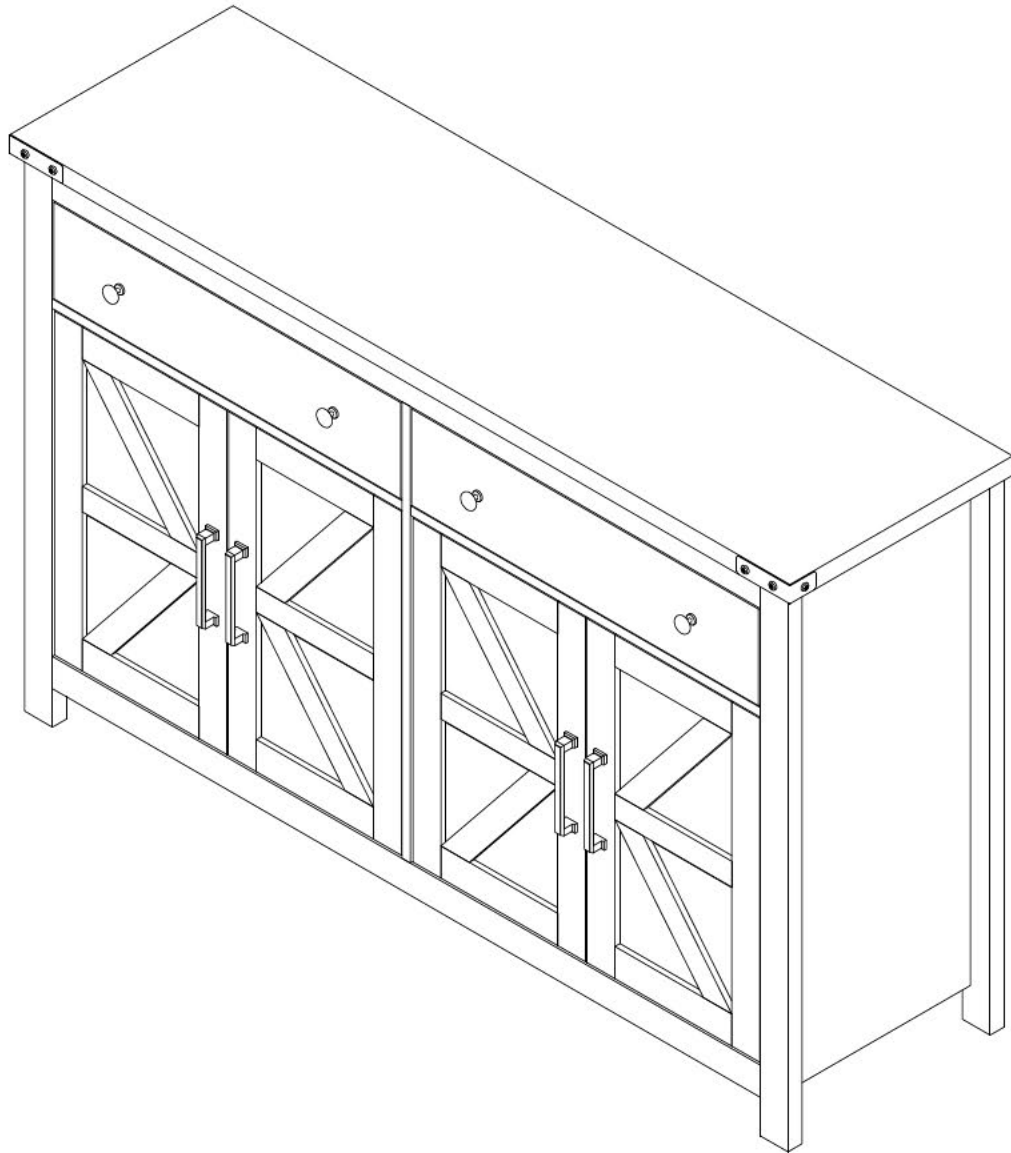


Sideboard

Assembly Instructions



Dimensions

Width - 140CM

Depth - 40CM

Height - 89CM

Important – Please read these instructions fully before starting assembly



Safety and Care Advice

Important – Please read these instructions fully before starting assembly

- Check you have all the components and tools listed on the following pages.
- Remove all fittings from the plastic bags and separate them into their groups.
- Keep children and animals away from the work area, small parts could choke if swallowed.
- Make sure you have enough space to layout the parts before starting.

- During assembly do not stand or put weight on the product, this could cause damage.
- Assemble the item as close to its final position (in the same room) as possible.
- Assemble on a soft level surface to avoid damaging the unit or your floor.
- Parts of the assembly will be easier with 2 people.



- To reduce the likelihood of damaging your product please ensure that your power drill is set on a low torque setting.

Care and maintenance

- Only clean using a damp cloth and mild detergent, do not use bleach or abrasive cleaners.
- From time to time check that there are no loose screws on this unit.
- This product should not be discarded with household waste. Take to your local authority waste disposal centre.

Handy Hints

- Assemble all parts and bolts loosely during assembly, only once the product is complete should you fully tighten the bolts
- Regularly check and ensure That all bolts and fittings are tightend properly.



WARNING



Children have died from furniture tipover.
 To reduce the risk of furniture tipover:






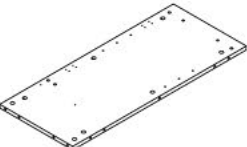

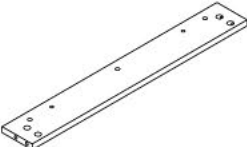
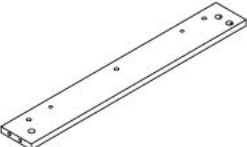
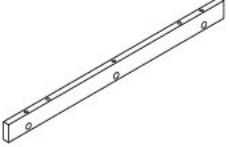







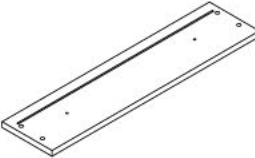
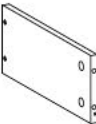
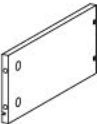



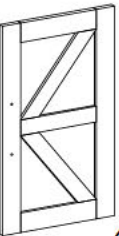
- ALWAYS install Anti-tip device provided.
- NEVER put a TV on this product.
- NEVER allow children to stand climb or hang on any drawers, doors, or shelves.
- NEVER open more than one drawer at a time.
- Place heaviest items in the lowest drawers.

This is a permanent label.

Do not remove!

Components - Panels





















Please check you have all the panels listed below

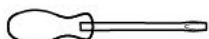
 1 PC	 1 PC	 1 PC	 1 PC	 1 PC
 1 PC	 1 PC	 1 PC	 1 PC	 2 PCS
 1 PC	 1 PC	 1 PC	 1 PC	 1 PC
 1 PC	 1 PC	 2 PCS	 2 PCS	 2 PCS
 2 PCS	 2 PCS	 2 PCS	 4 PCS	

Components - Fittings

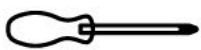
Please check you have all the panels listed below

Note: The quantities below are the correct amount to complete the assembly. In some cases more fittings may be supplied than are required.

A  Male Camlock x 59	B  Female Camlock x 59	C  Dowel x 29
D  Drawer slider 12" X 2	E  3*12mm Screw x 16	F  4*30mm Screw x 8
G  3*17mm Screw x 12	H  Plasticwedge x12	I  Protective Feet x 4
J  Adjustable Foot x 1	K  6.8*48mm Screw x 4	L  Ø20 Sticker x 22
M  Shelf Support Pin x 8	N  3.5*14mm Screw x 52	O  Door Hinge x 8
P  Handle & Fixings x 4	Q  Handle & Fixings x 4	R  Wall Fixing Pack x 2
 x 1	 M4 x 1	



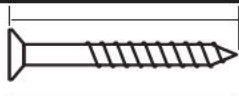
Tools required



Phillips screwdriver
(medium & large)

Ruler - Use this ruler to help correctly identify the screws

0 5 10 15 20 25 30 35 40 45 50 55 60 65 70 75 80 85 90 95 100 105 110 115 120 125 130 135 140 145 150 155 160 165 170



The screws length is measured from the head to the point (35mm screw shown).

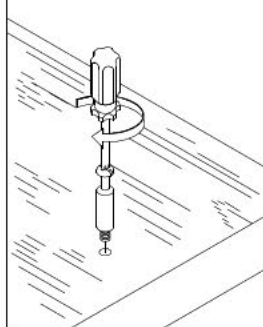
Using Camlocks

Step 1

Connect the male camlock as directed in the assembly instructions using a screwdriver.

1

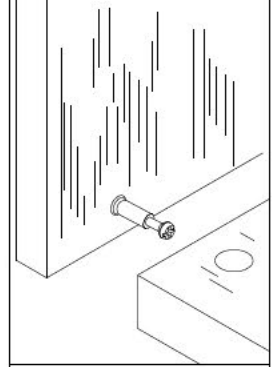
DO NOT OVER TIGHTEN.
NE PAS SERRER EXCESSIVEMENT.



Step 2

Push the male camlock into the entry hole.

2

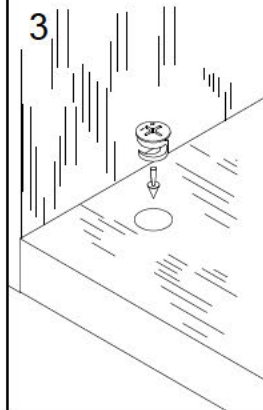


Step 3

Insert the female camlock as shown in the instruction.

Note: ensure that the arrow on the top of the camlock points towards the entry hole for the male camlock.

3



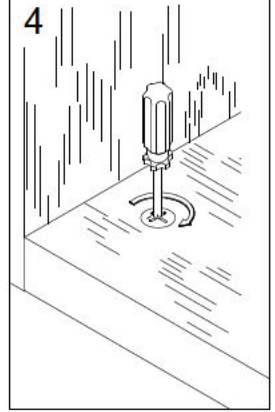
Step 4

Turn the female camlock clockwise with a screwdriver.

You should feel a click when the camlock is locked in place.

The joint is now secure.

4



Adjusting Hinges

Hinge adjustment:

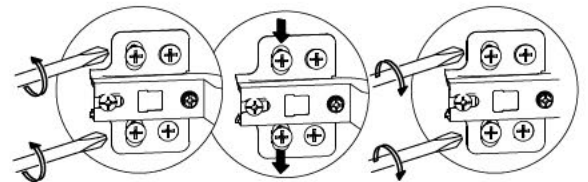
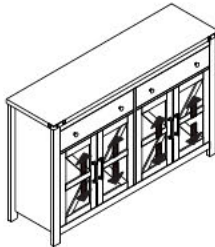
a: To move the top panel up or down, loosen screws shown and move top panel to suit

b: To move the top panel in or out, loosen screws shown and move top panel to suit.

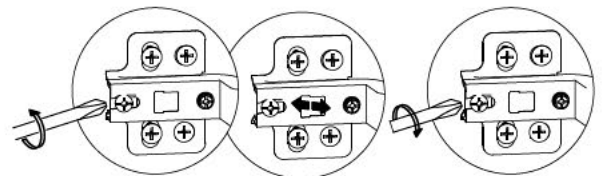
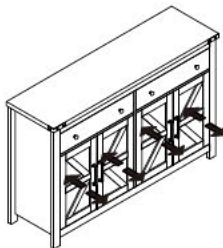
Retighten screws

c: To move the top panel left or right, adjust screws shown.

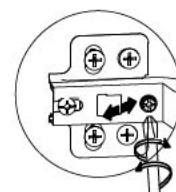
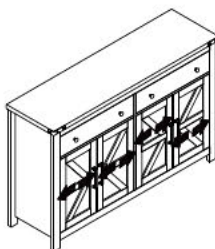
a:



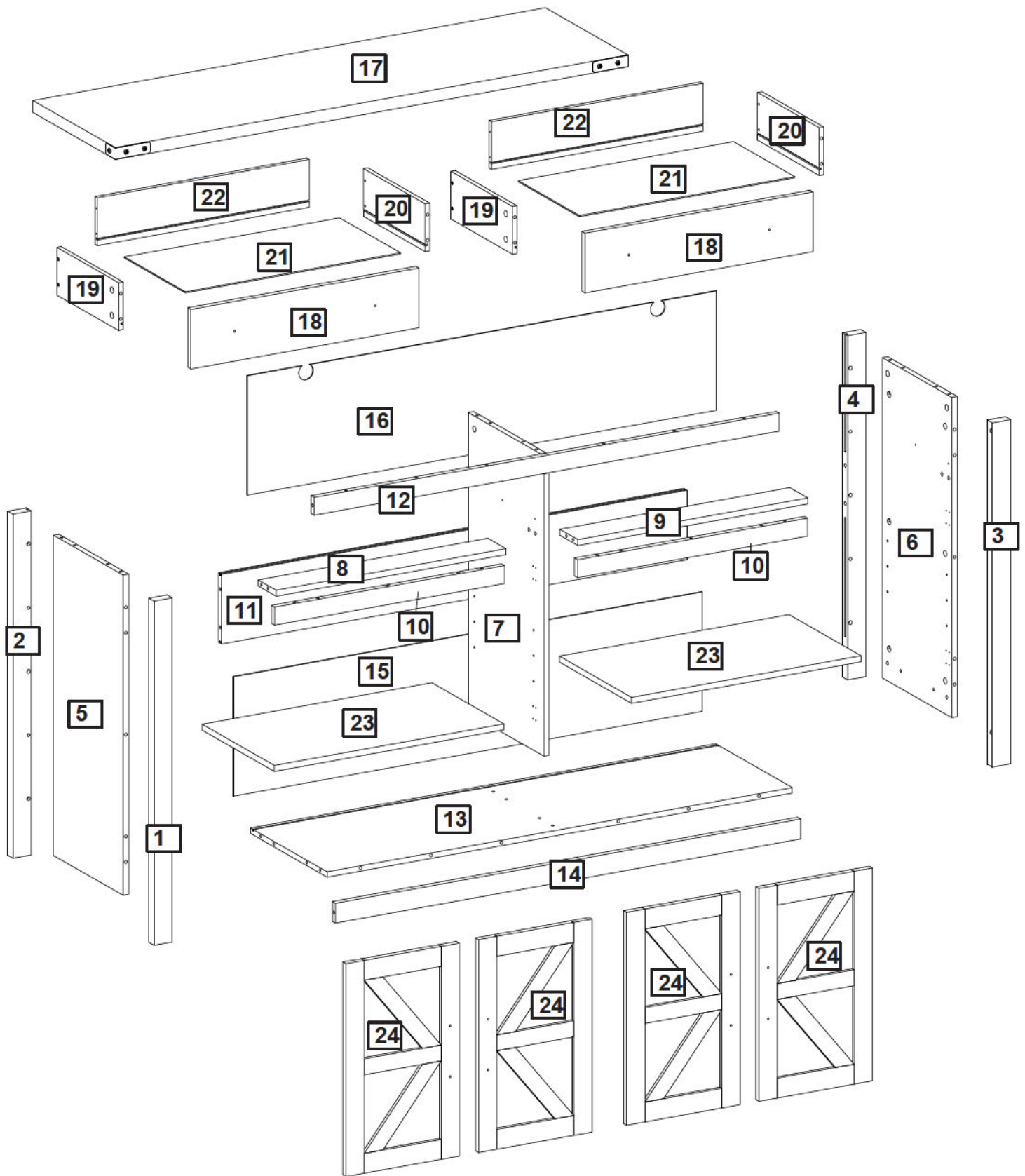
b:



c:

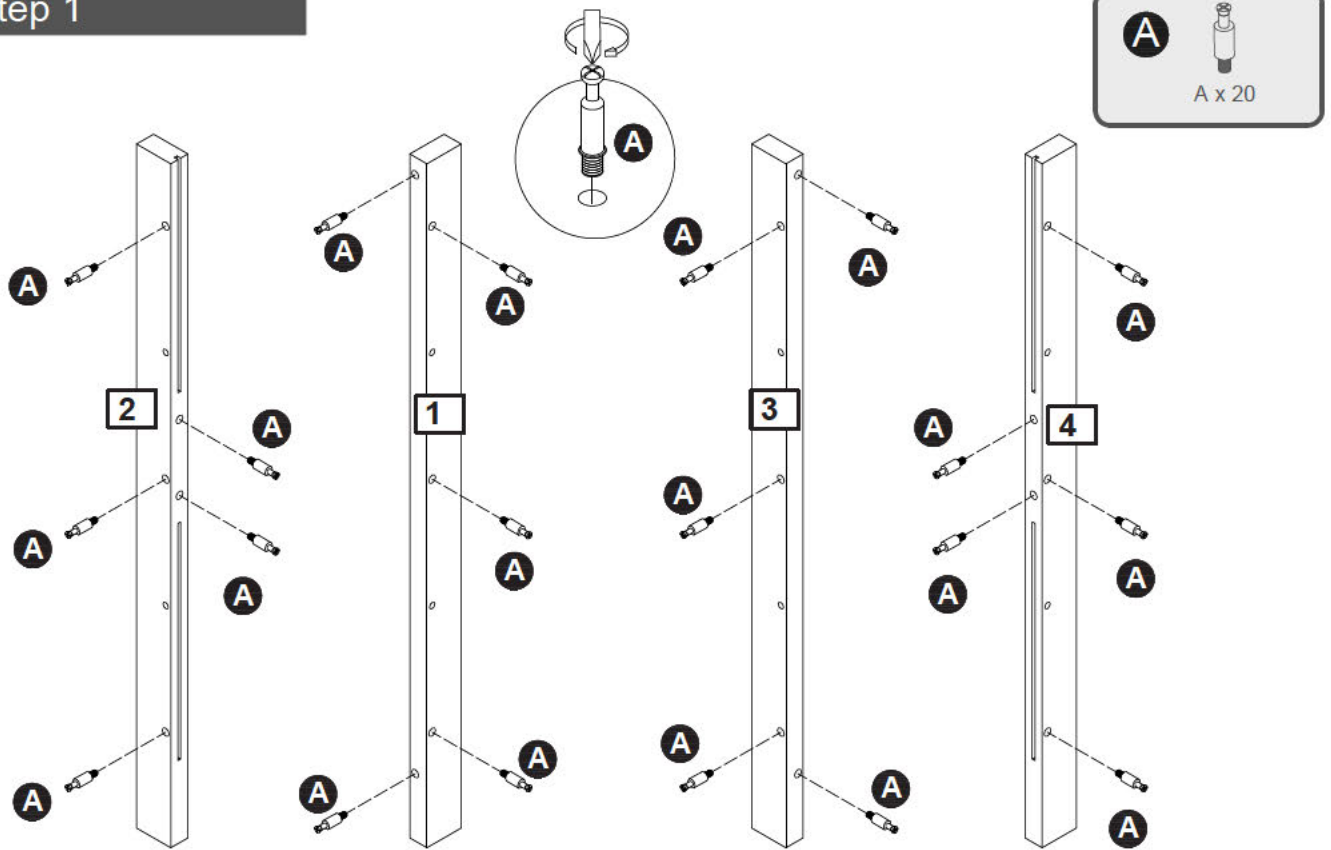


Assembly Instructions

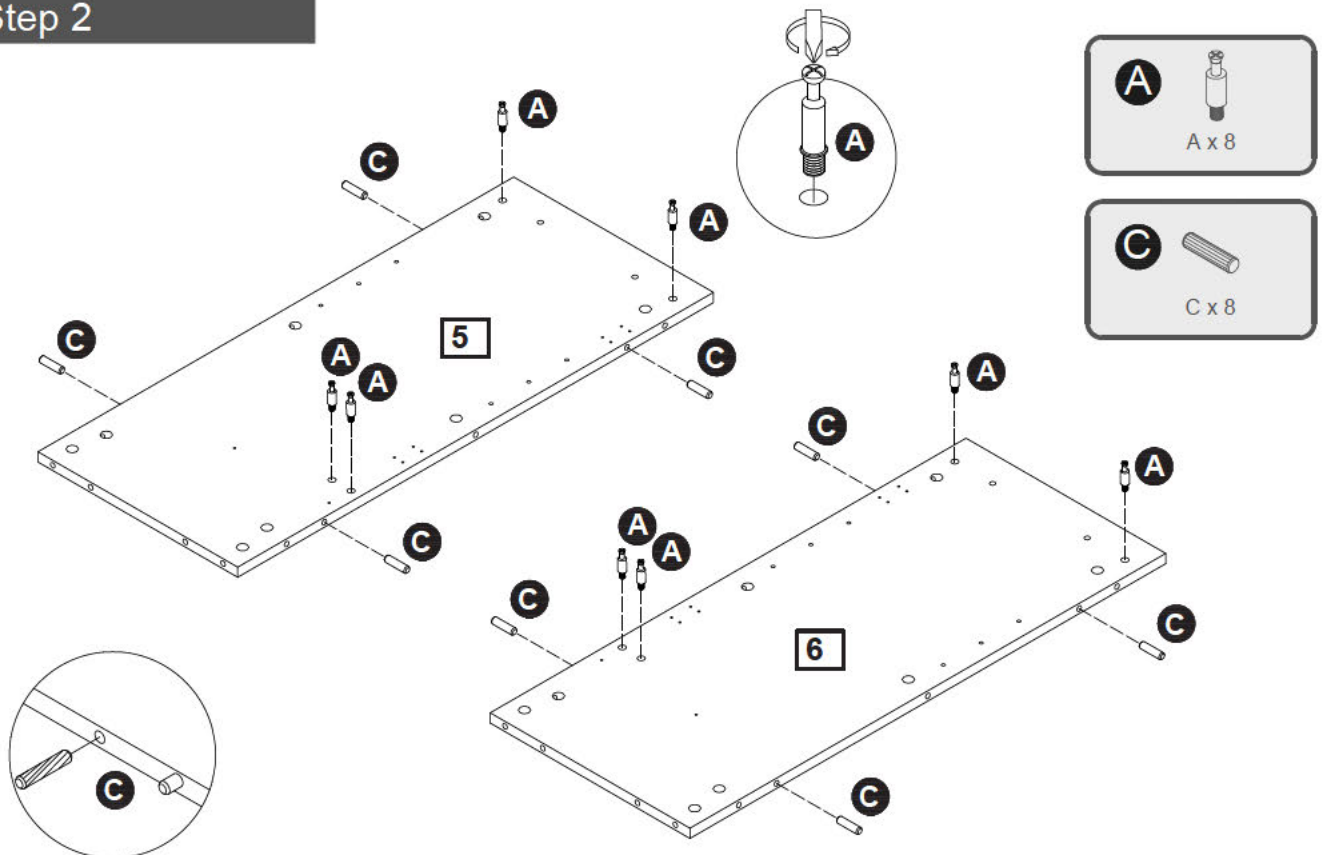


Assembly Instructions

Step 1

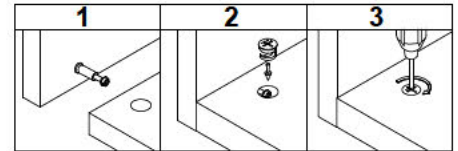
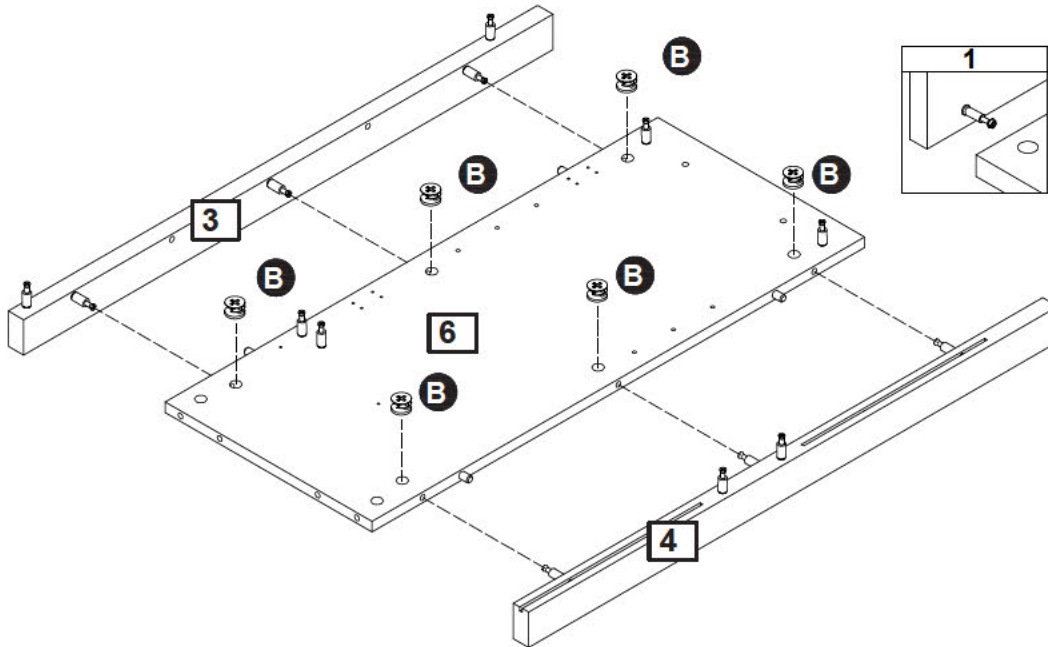


Step 2

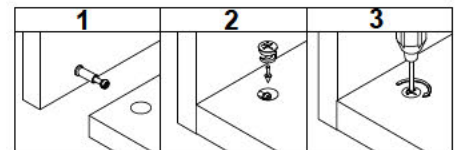
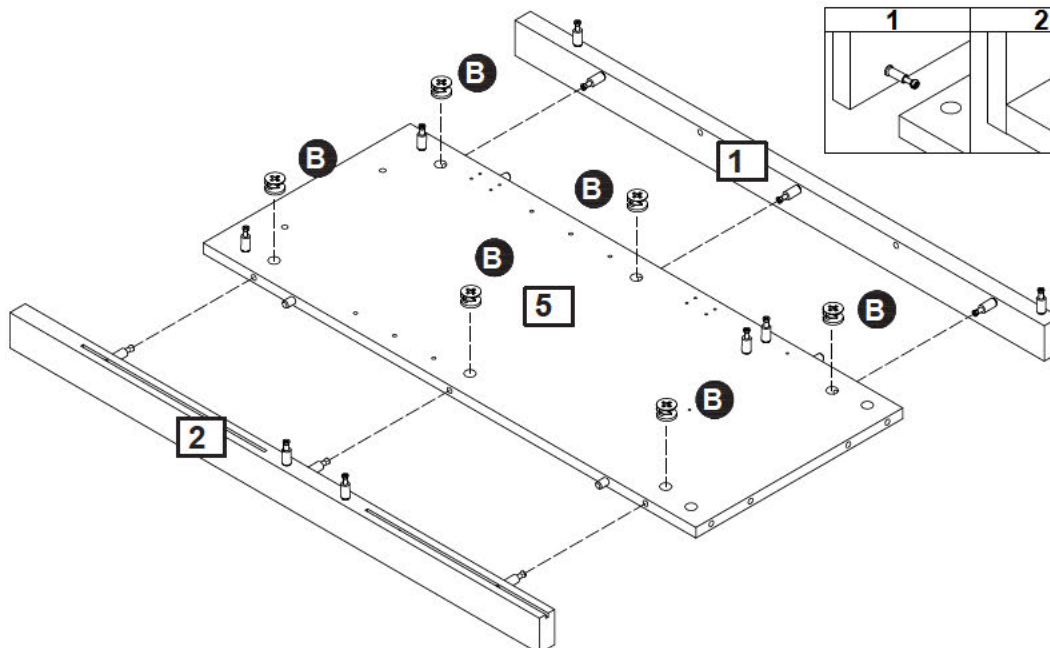


Assembly Instructions

Step 3



Step 4

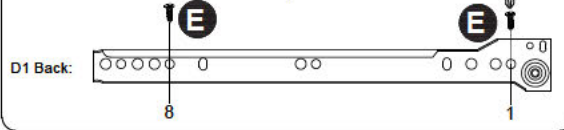


Assembly Instructions

Step 7

Attention:
1. Please locate the holes from the back of part D1.

D1 Back:



A

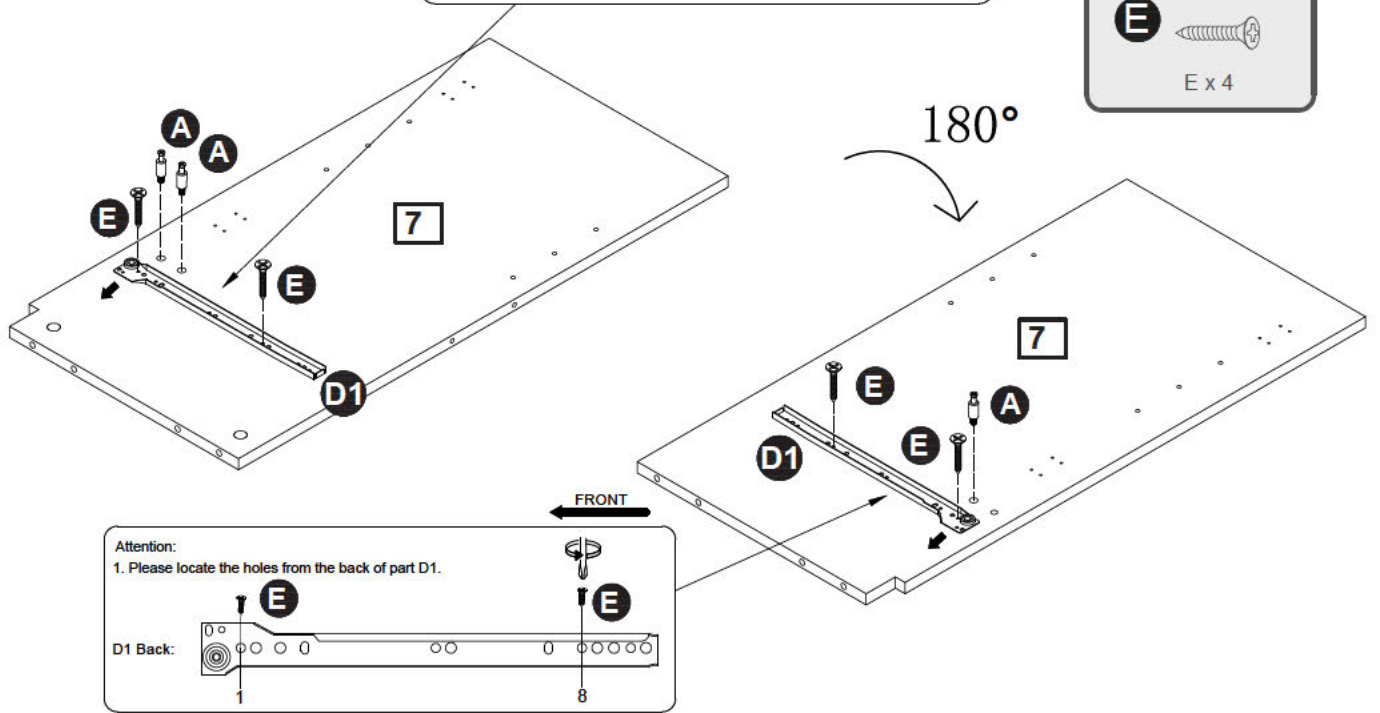


A x 3

E

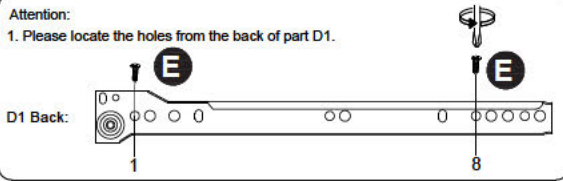


E x 4



Attention:
1. Please locate the holes from the back of part D1.

D1 Back:

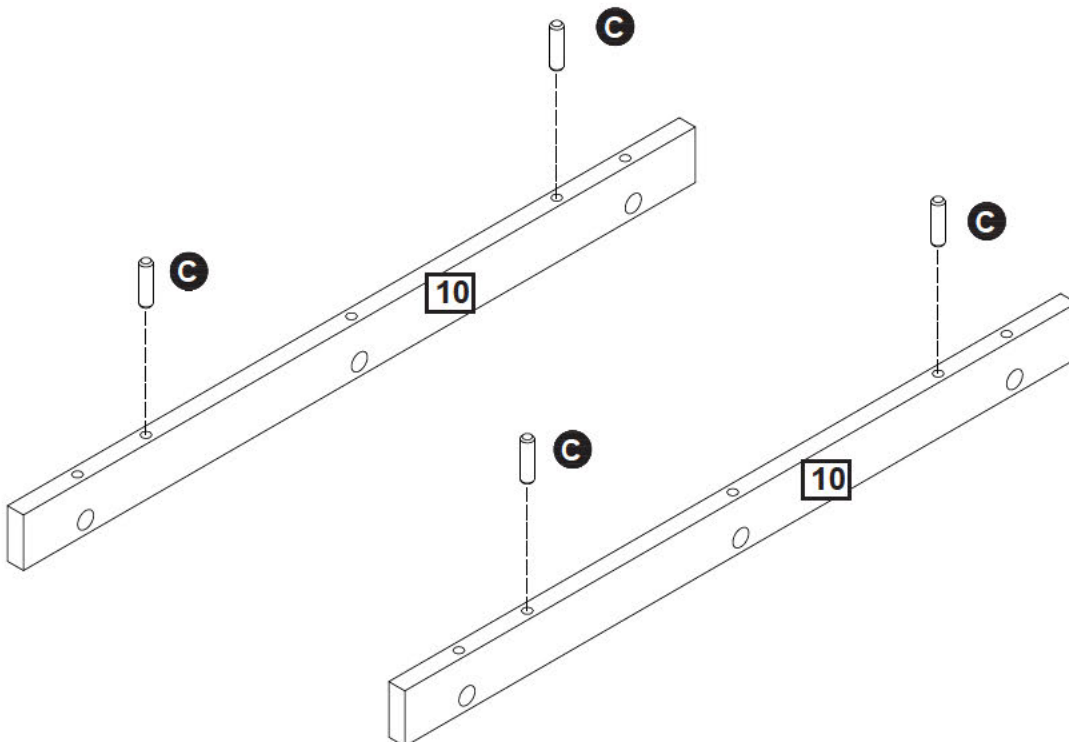


Step 8

C

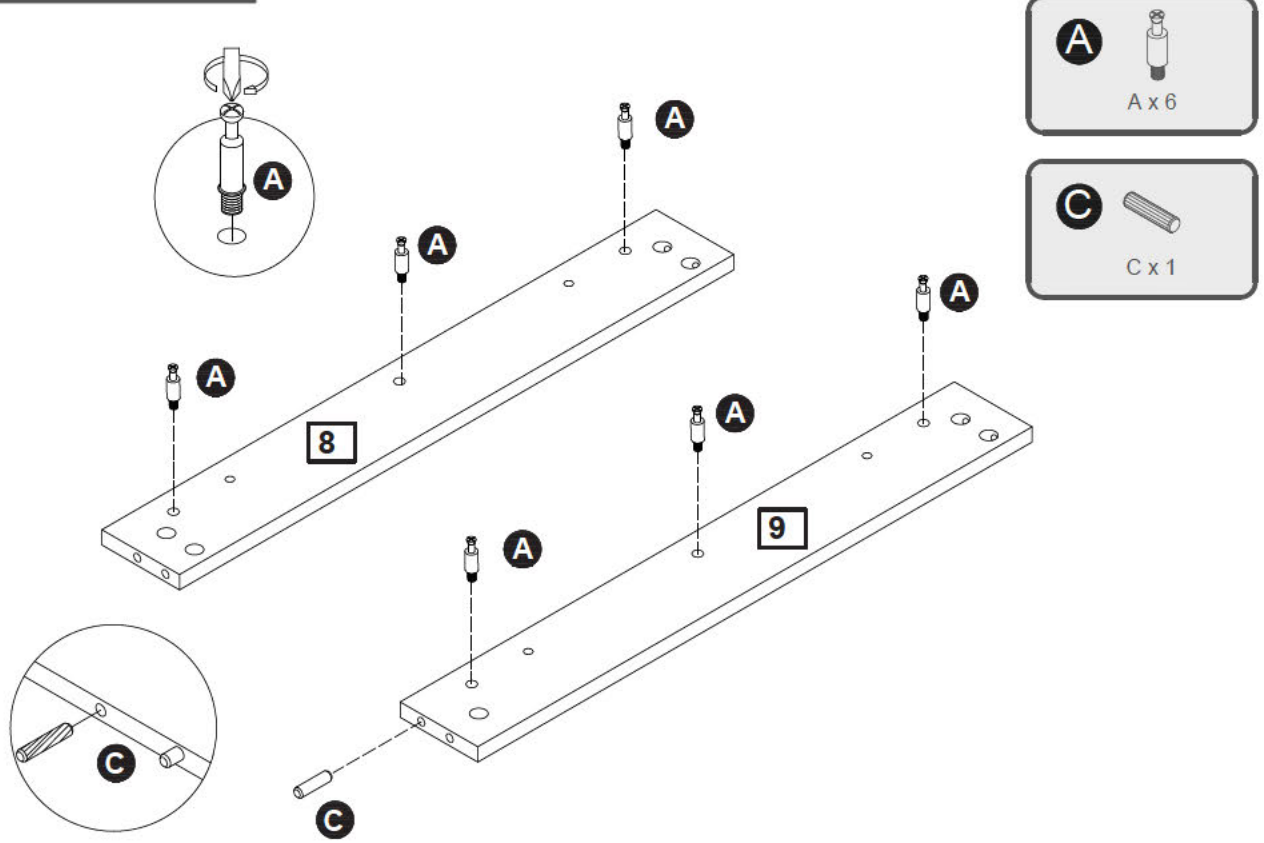


C x 4

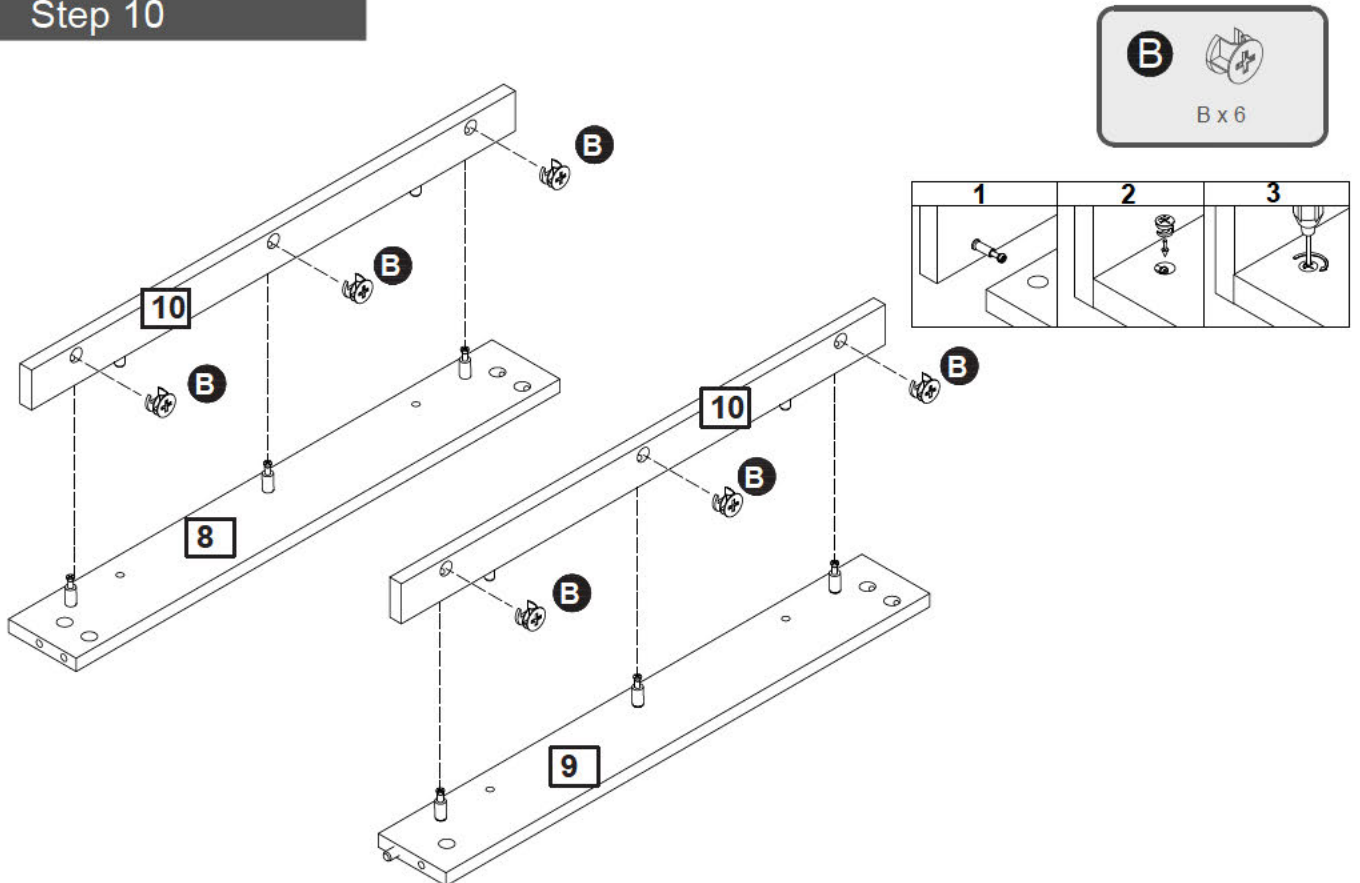


Assembly Instructions

Step 9

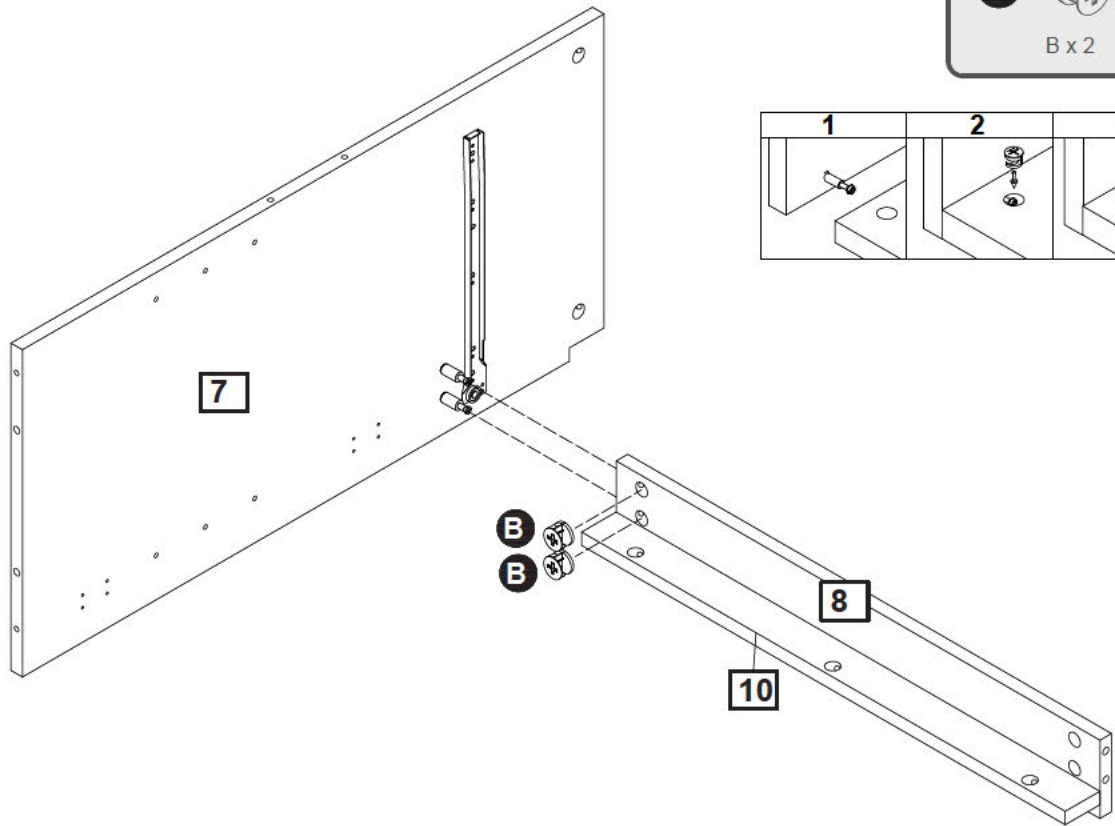


Step 10

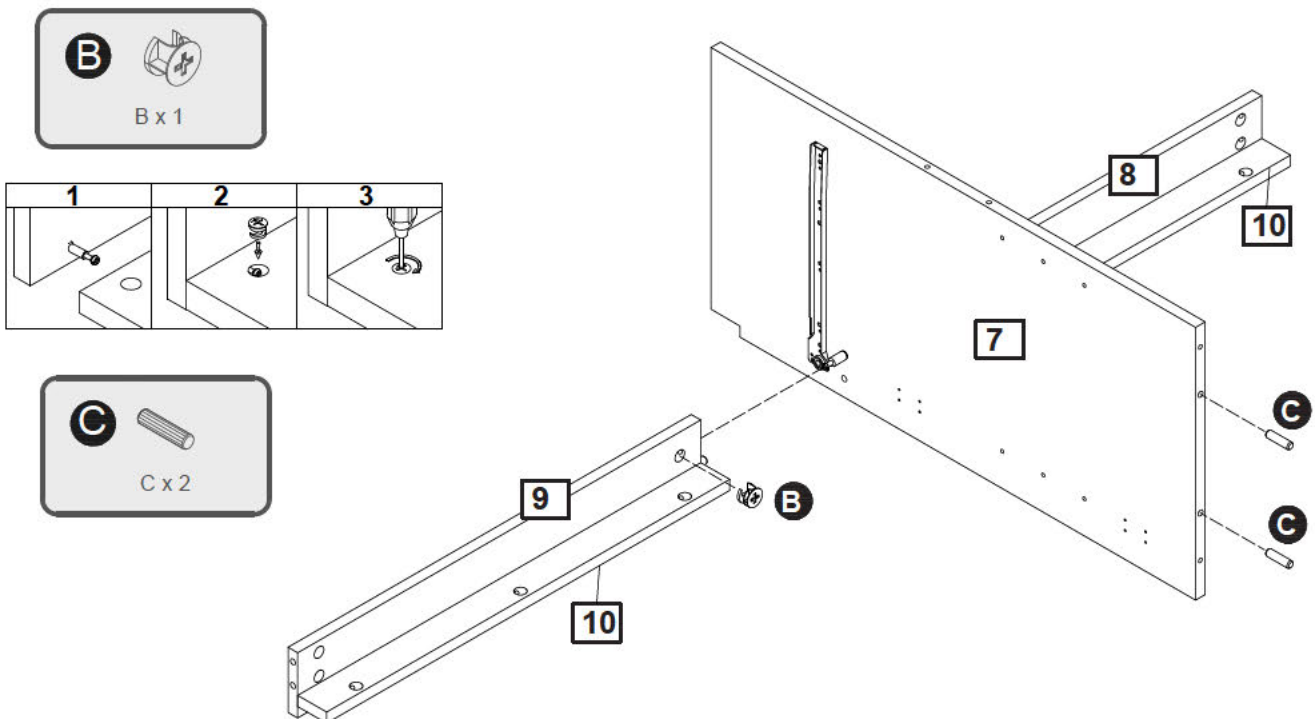


Assembly Instructions

Step 11

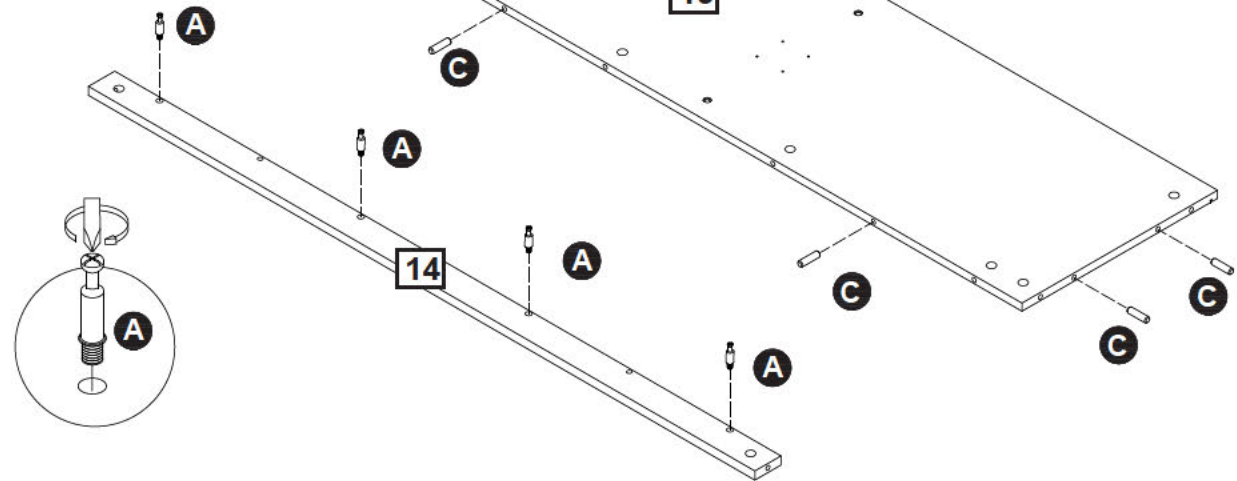
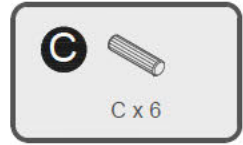
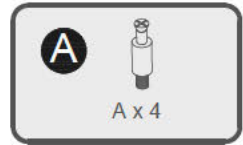
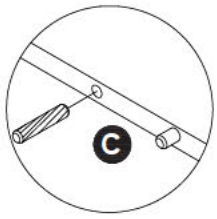


Step 12

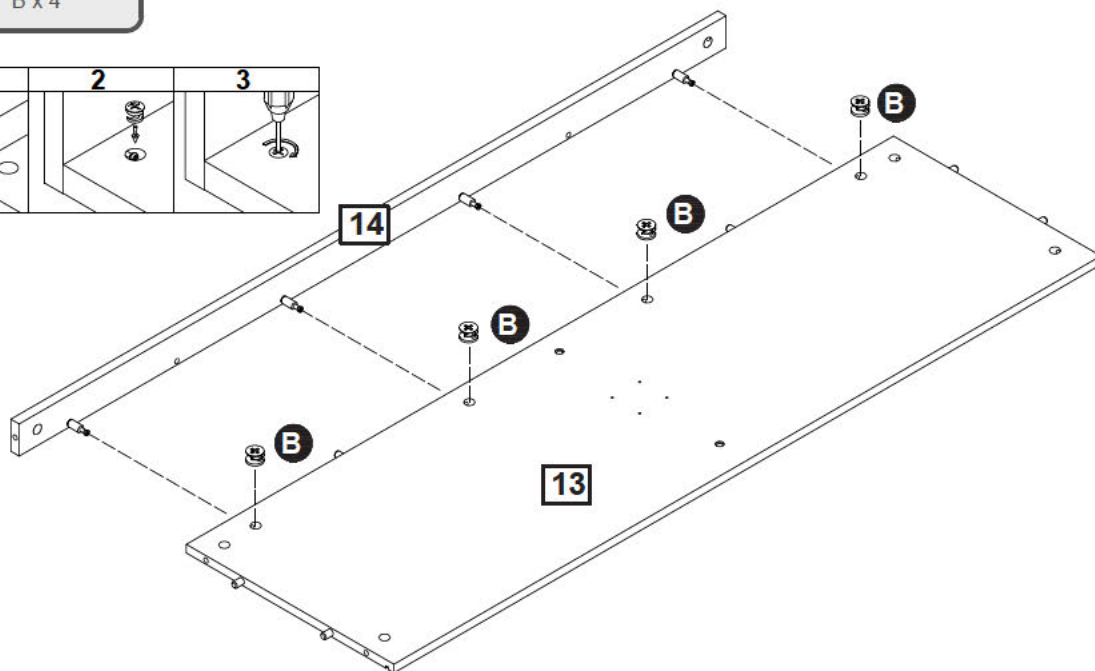
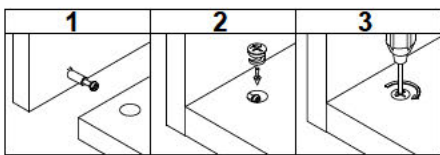


Assembly Instructions

Step 13

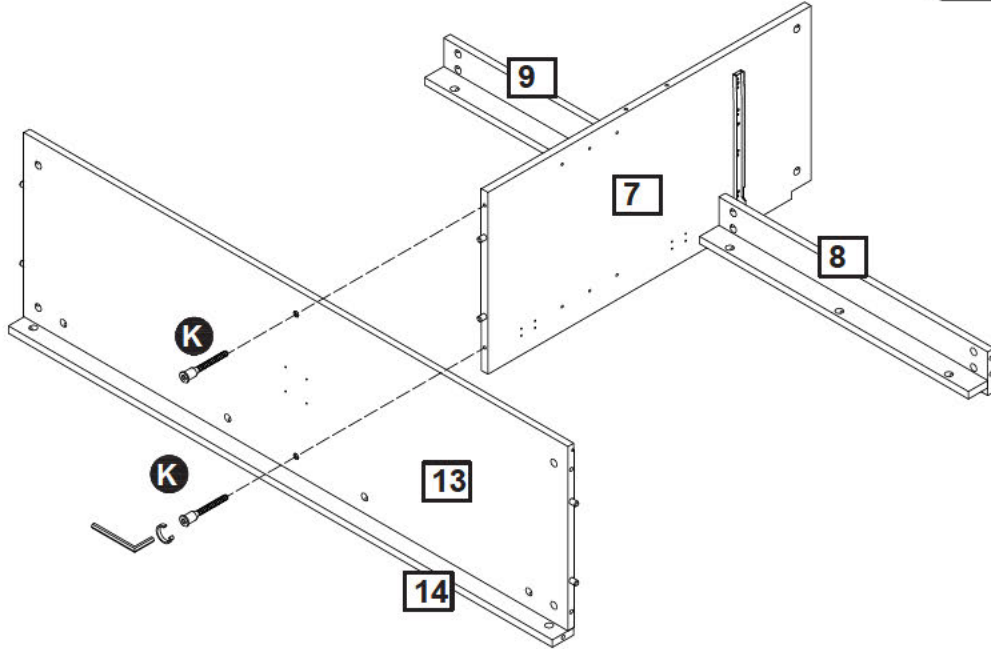
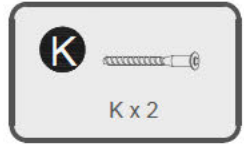


Step 14

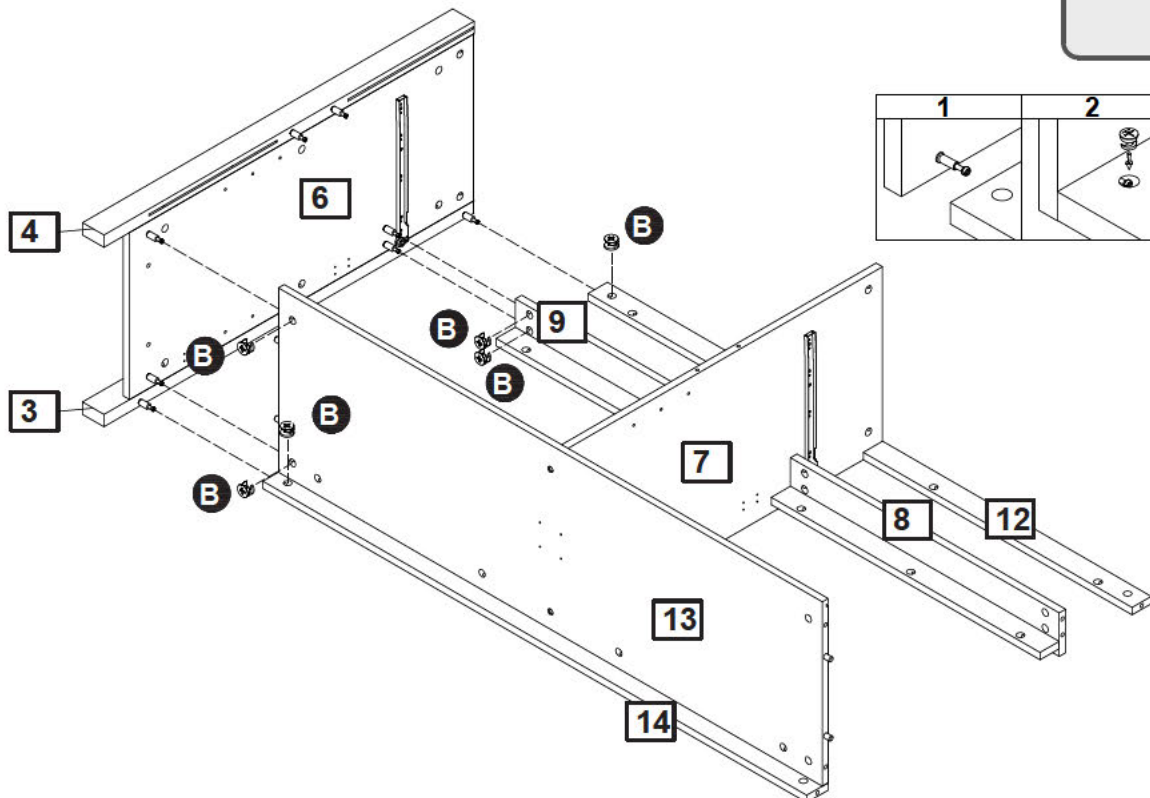


Assembly Instructions

Step 15

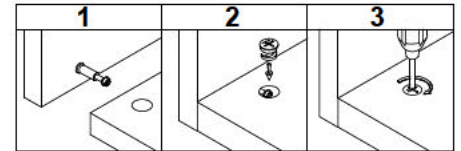
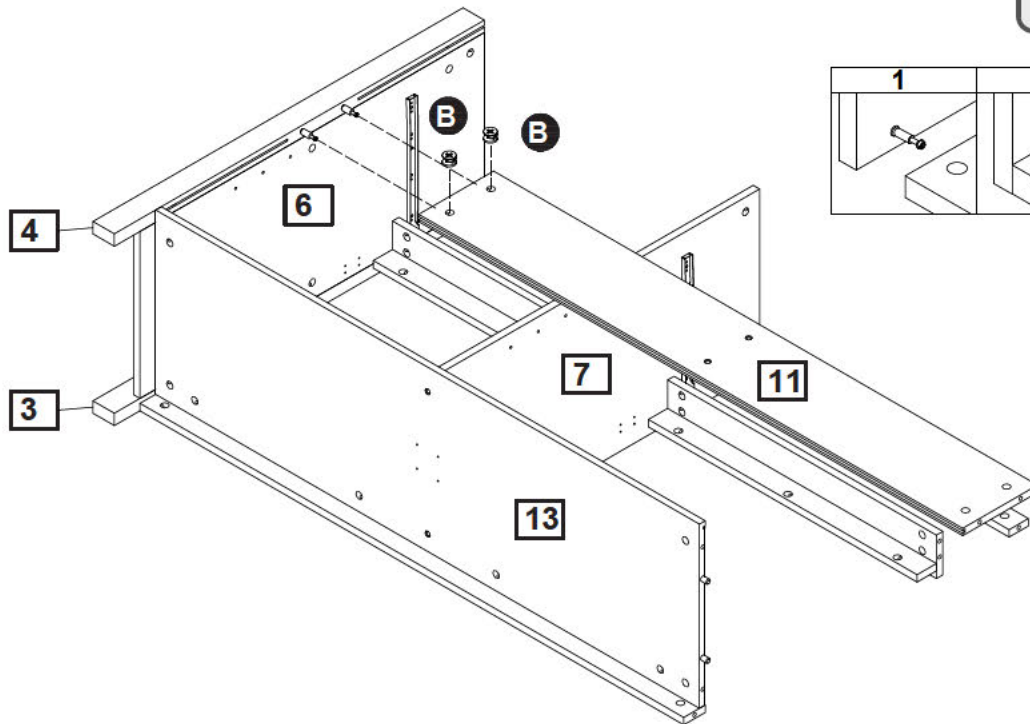


Step 16

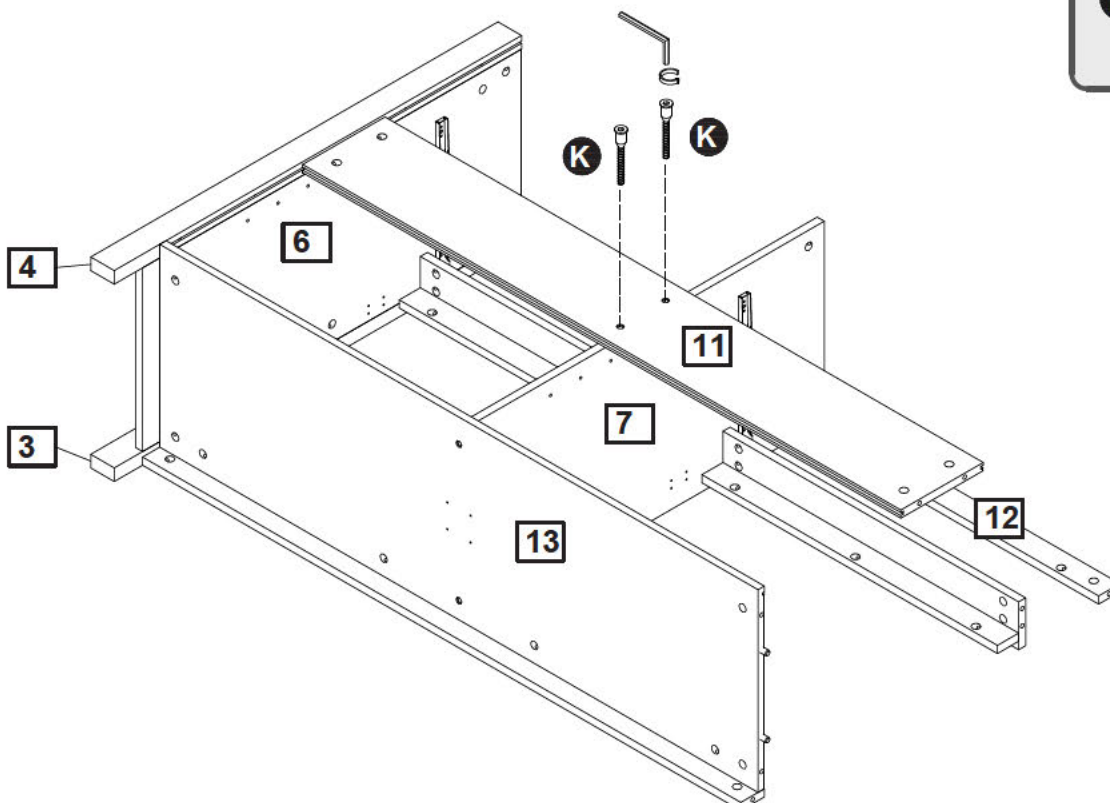


Assembly Instructions

Step 17

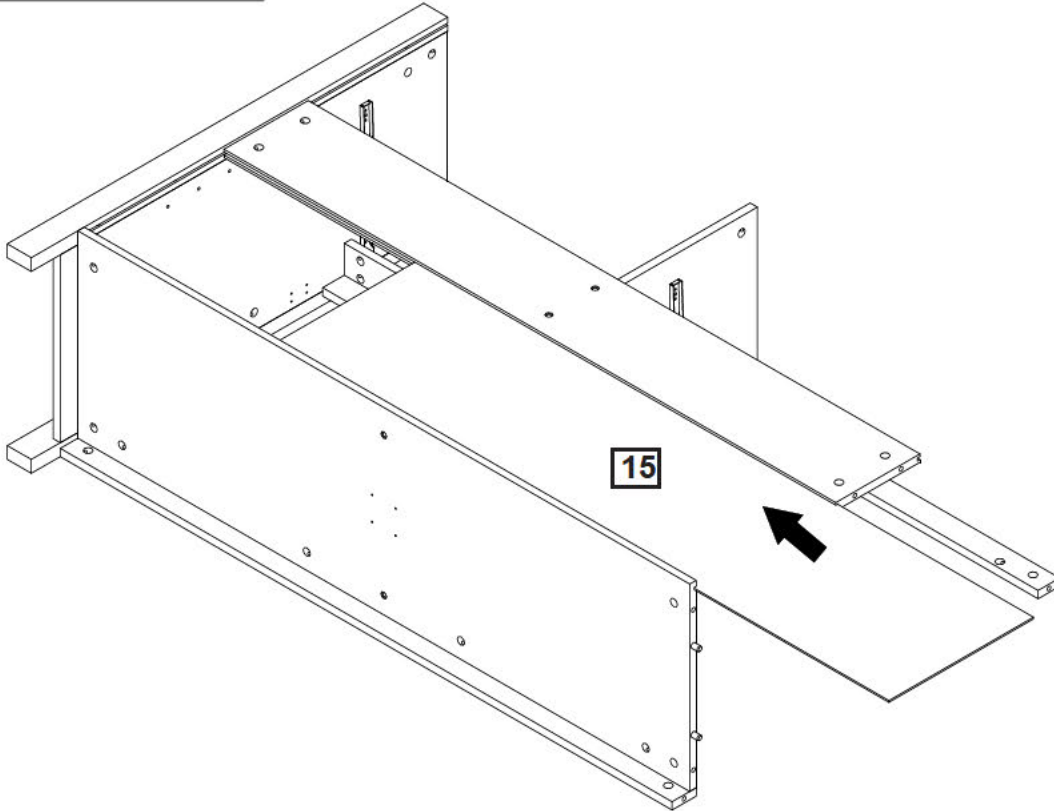


Step 18

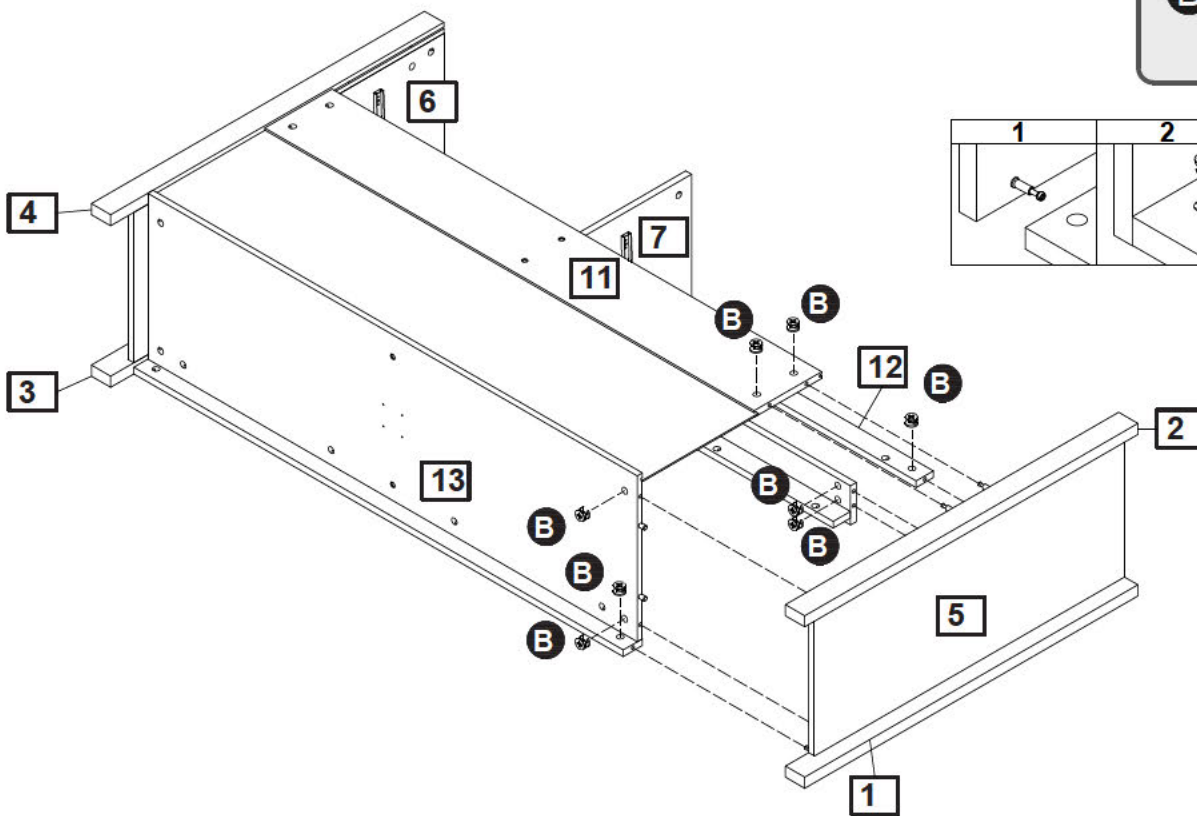


Assembly Instructions

Step 19

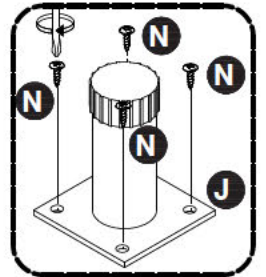
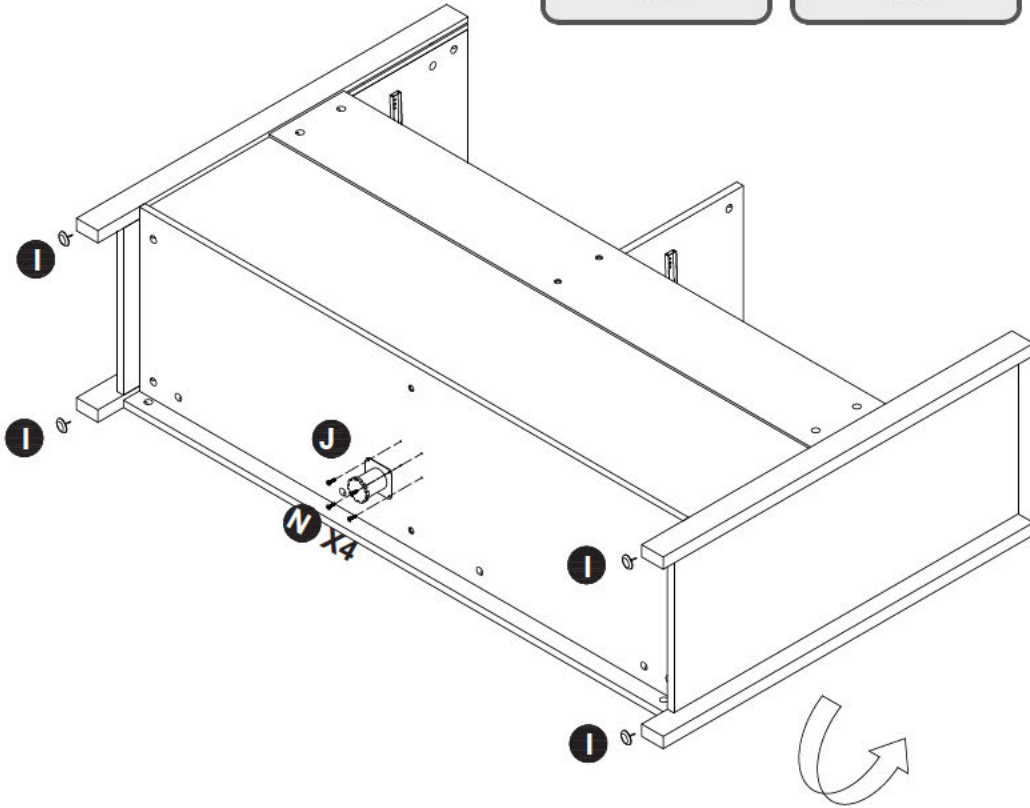


Step 20

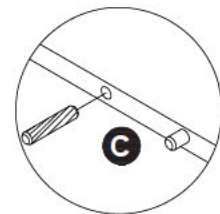
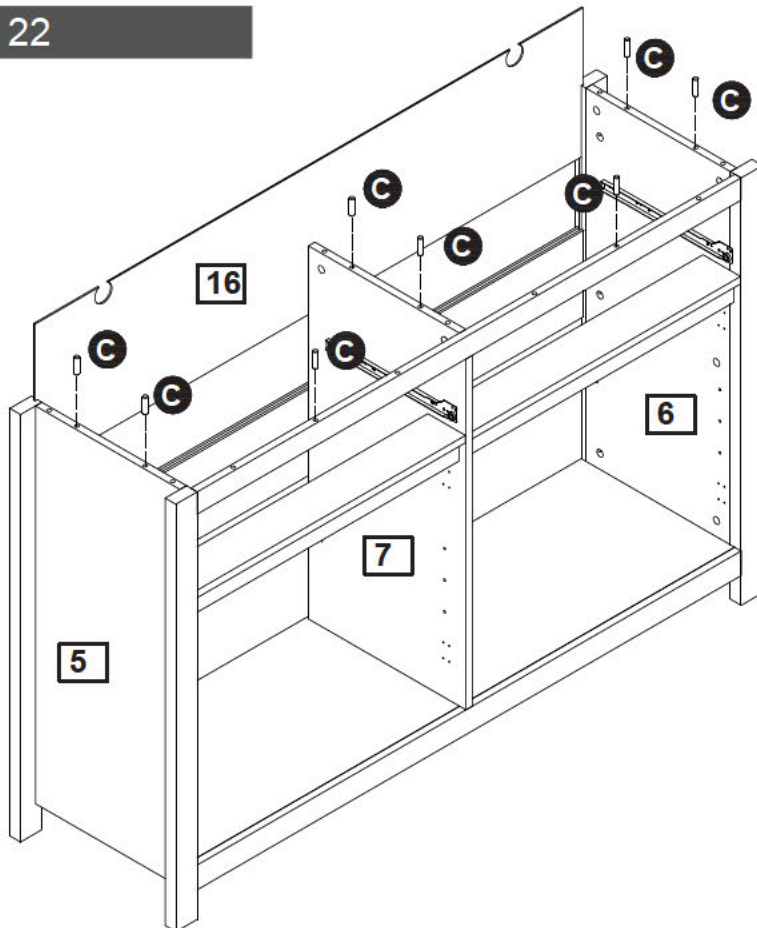
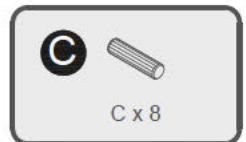


Assembly Instructions

Step 21

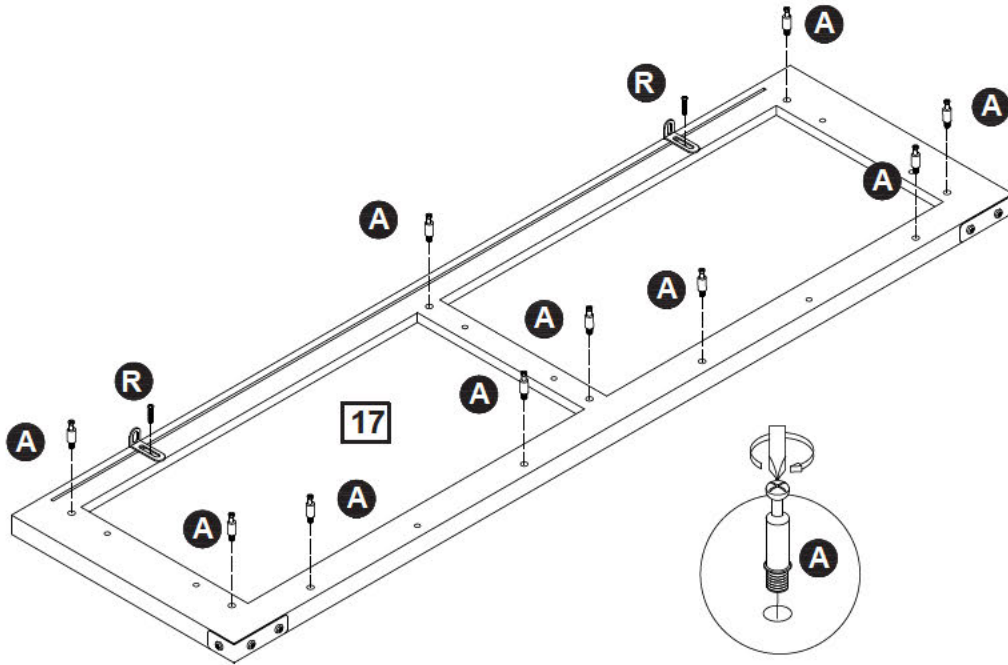


Step 22

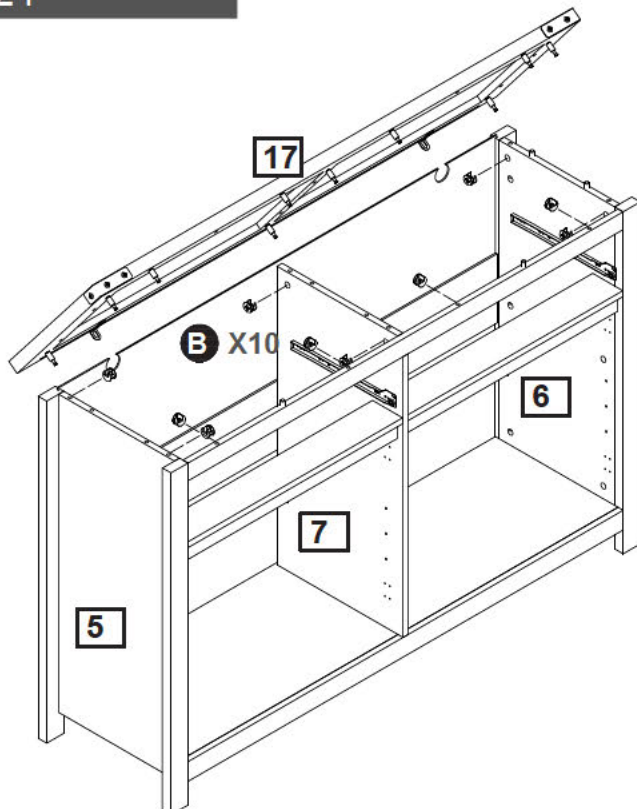


Assembly Instructions

Step 23

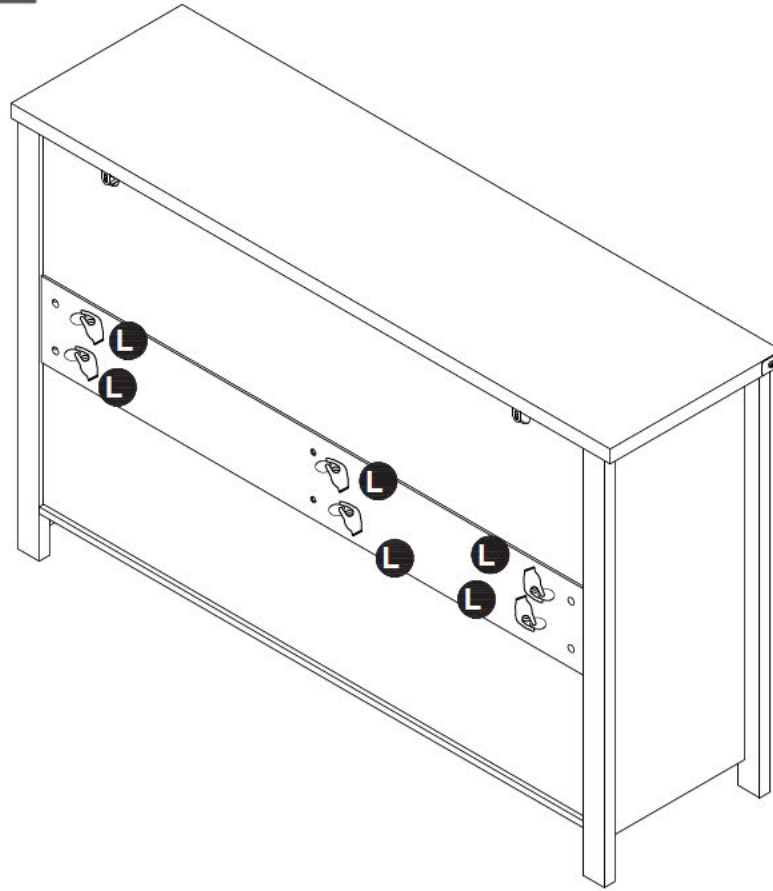
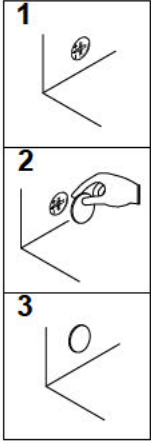


Step 24

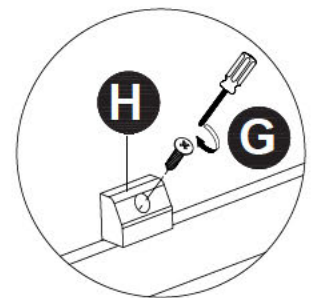
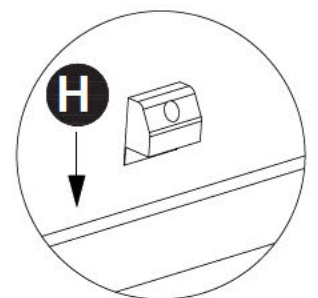
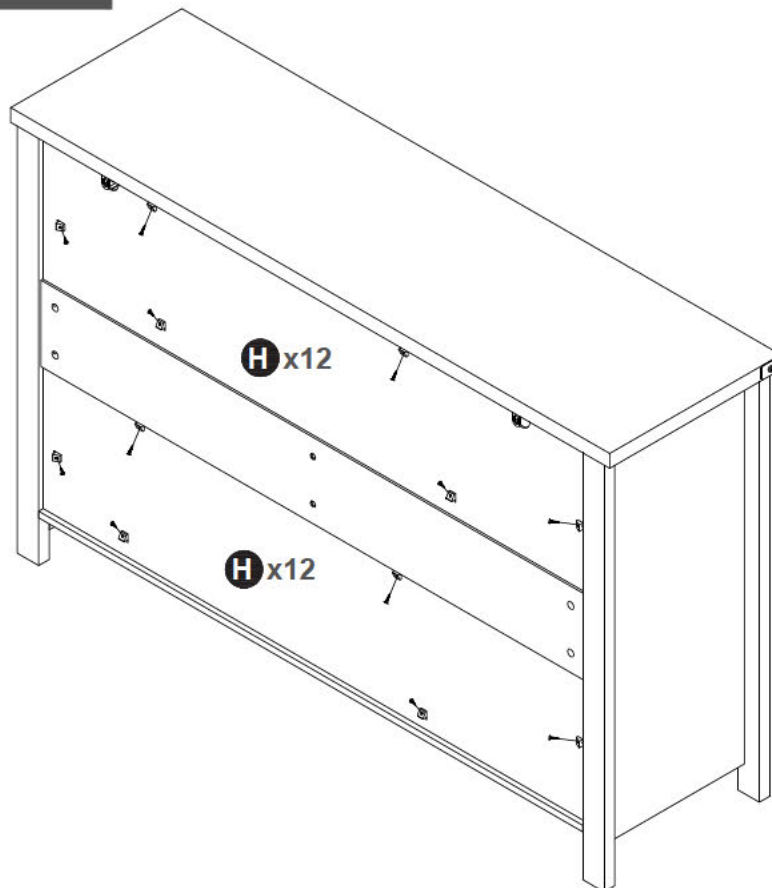


Assembly Instructions

Step 25



Step 26

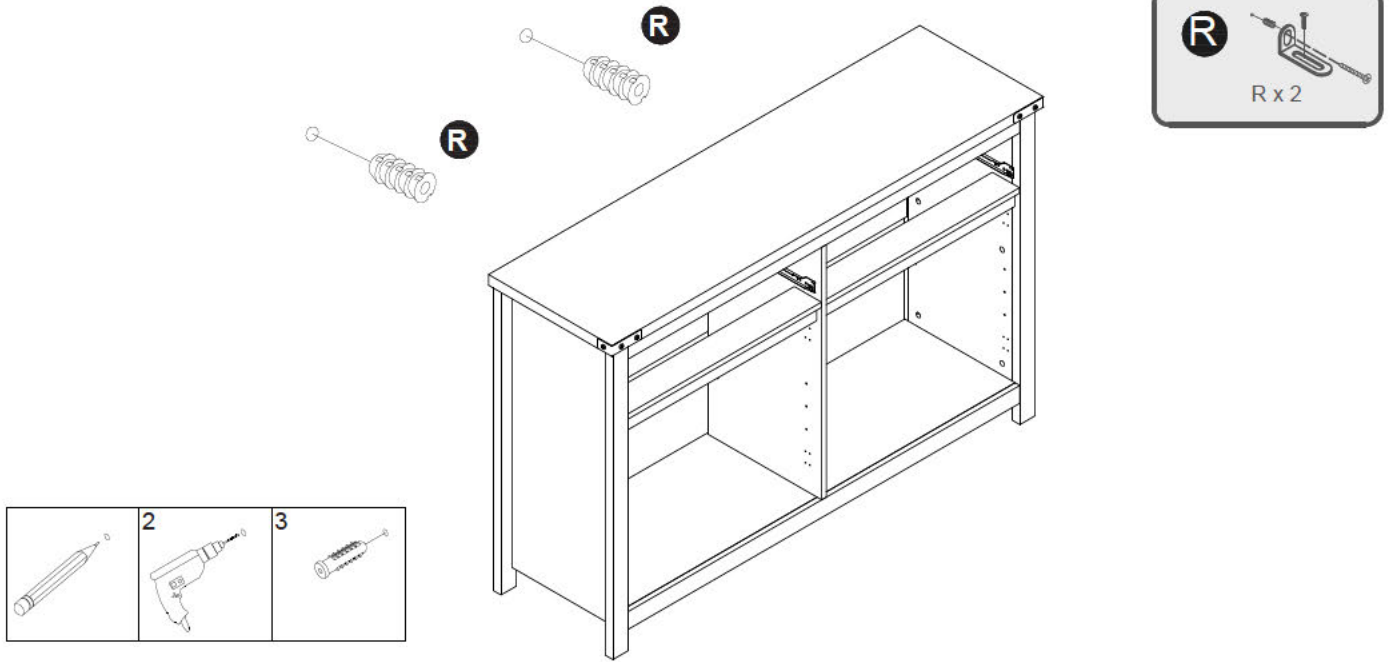


Assembly Instructions

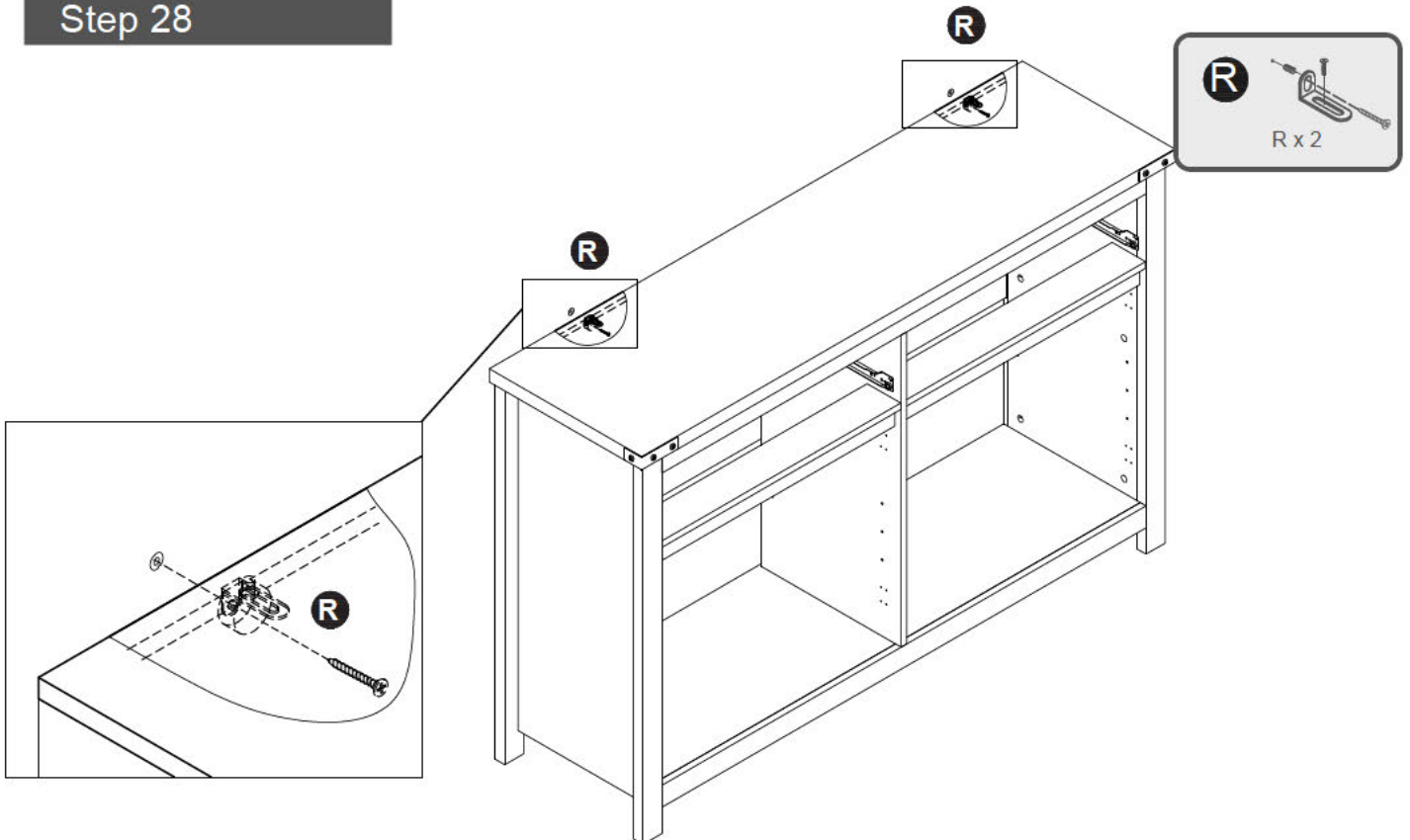
Step 27

WARNING

Serious or fatal injuries can occur from furniture tipping over. To prevent the furniture from tipping over we recommend that it is permanently fixed to the wall. Wall anchor and hardware are included with this product. Please make sure hardware is suitable for your walls before installing, as different wall materials may require different types of anchors.

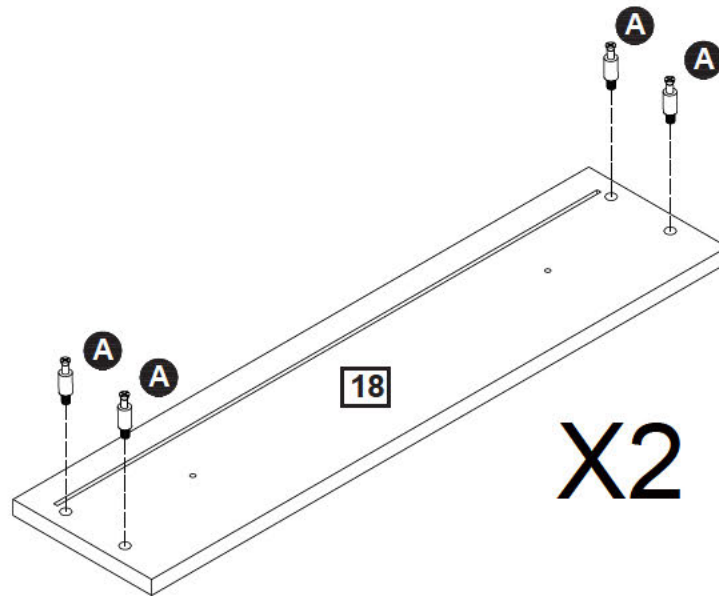
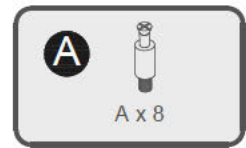


Step 28

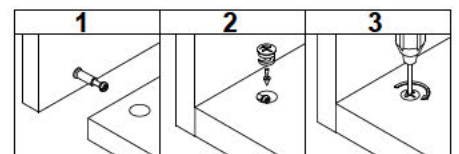
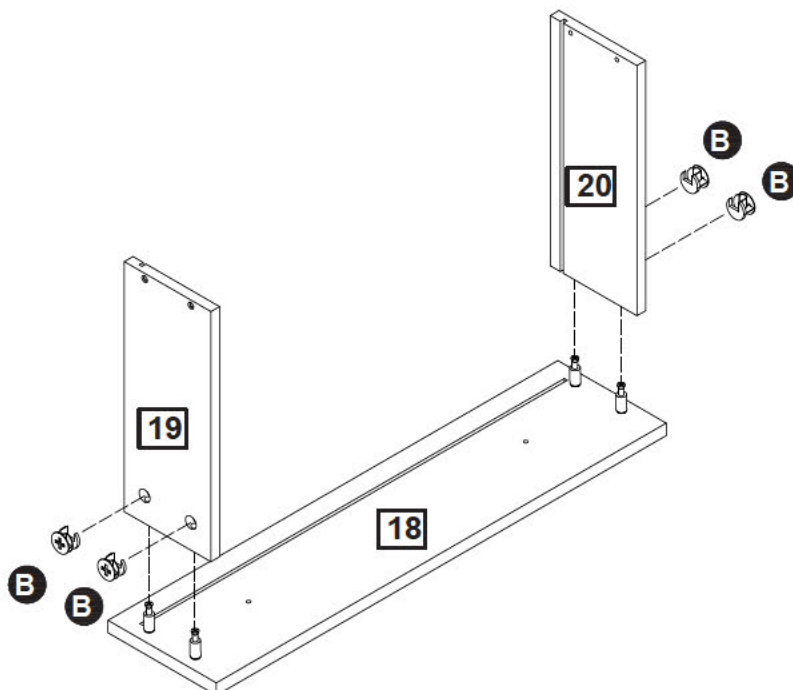


Assembly Instructions

Step 29

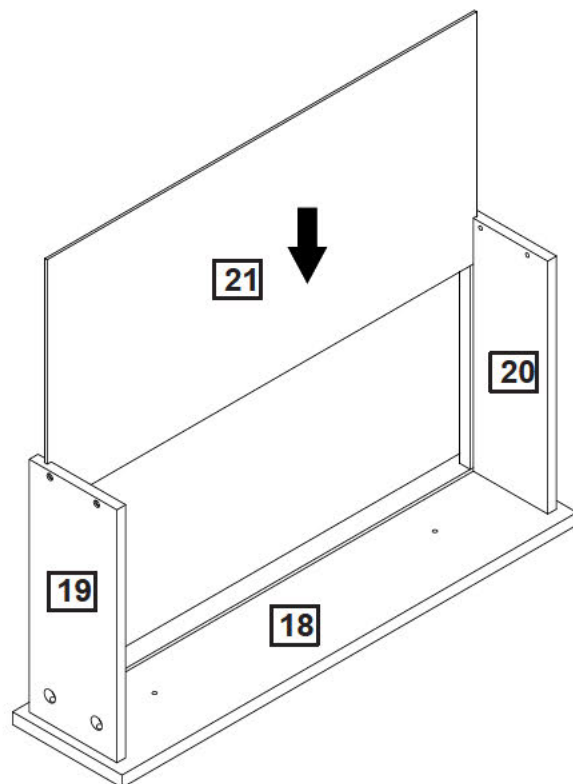


Step 30



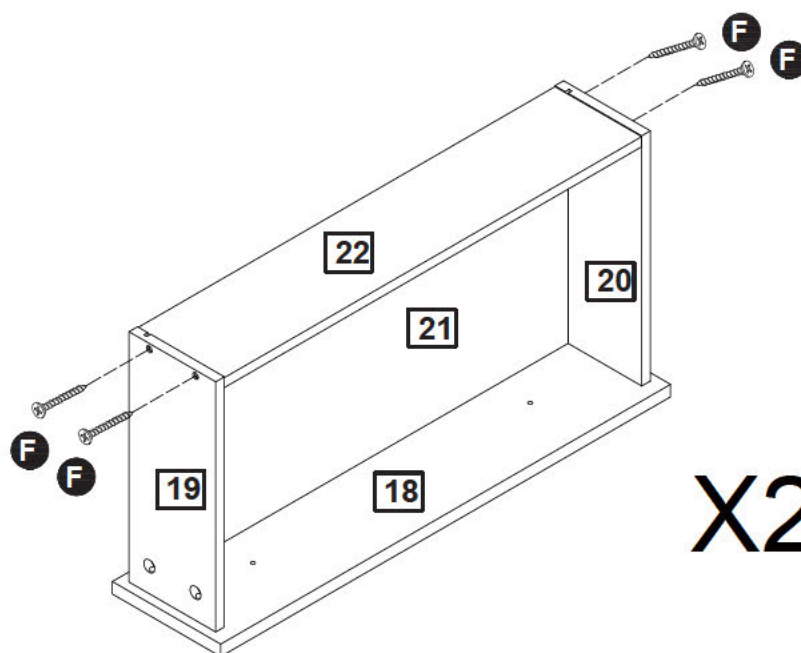
Assembly Instructions

Step 31



X2

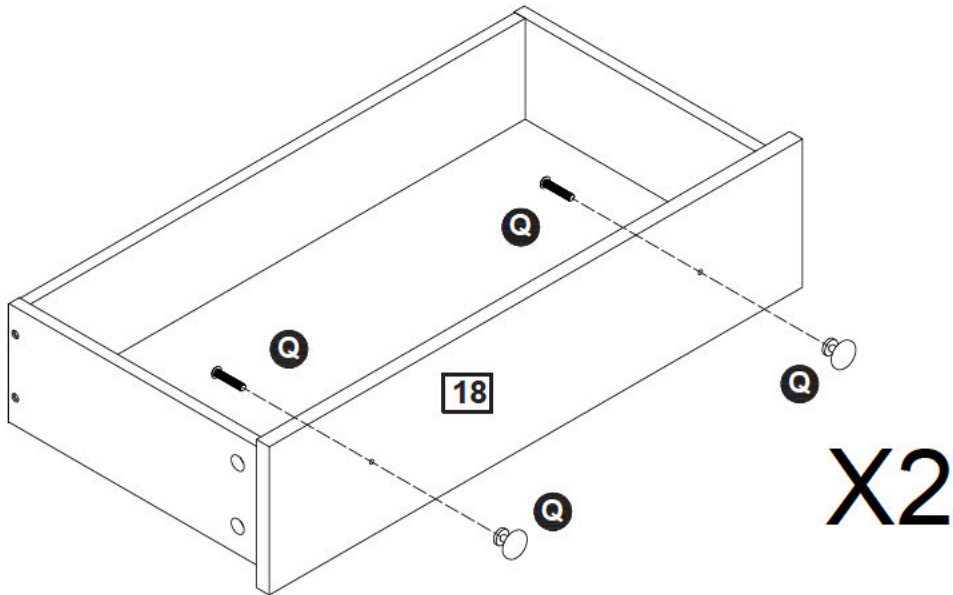
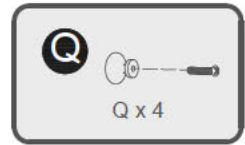
Step 32



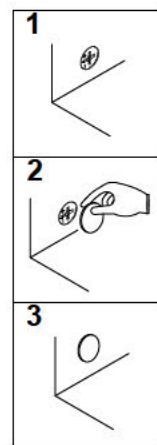
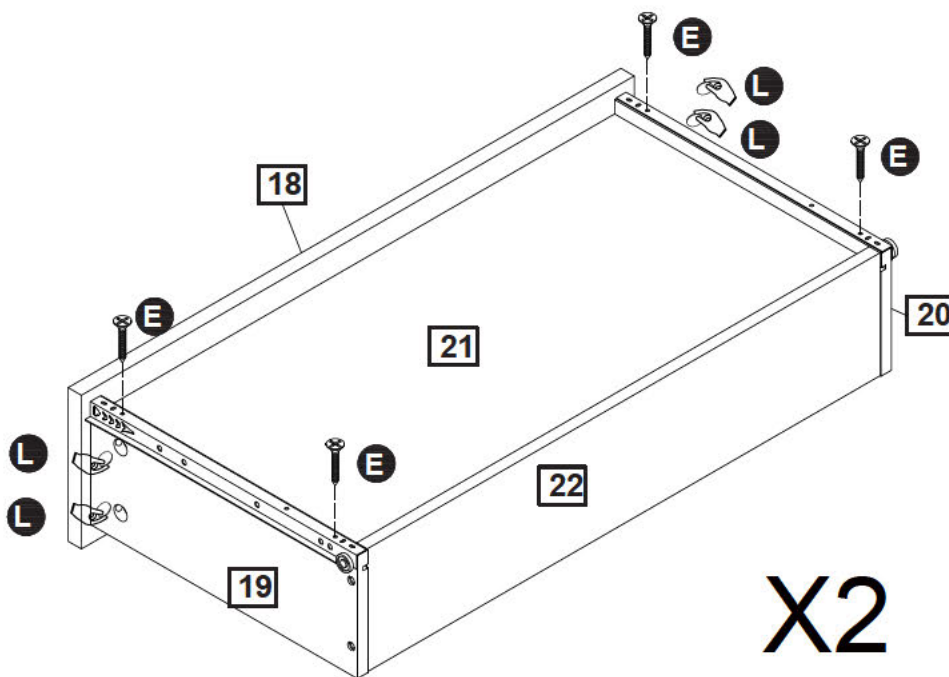
X2

Assembly Instructions

Step 33

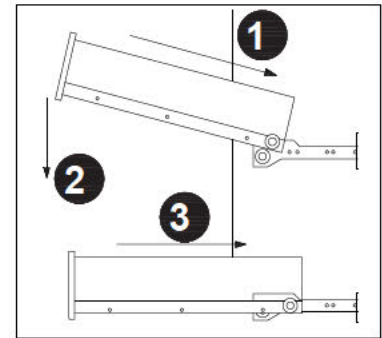
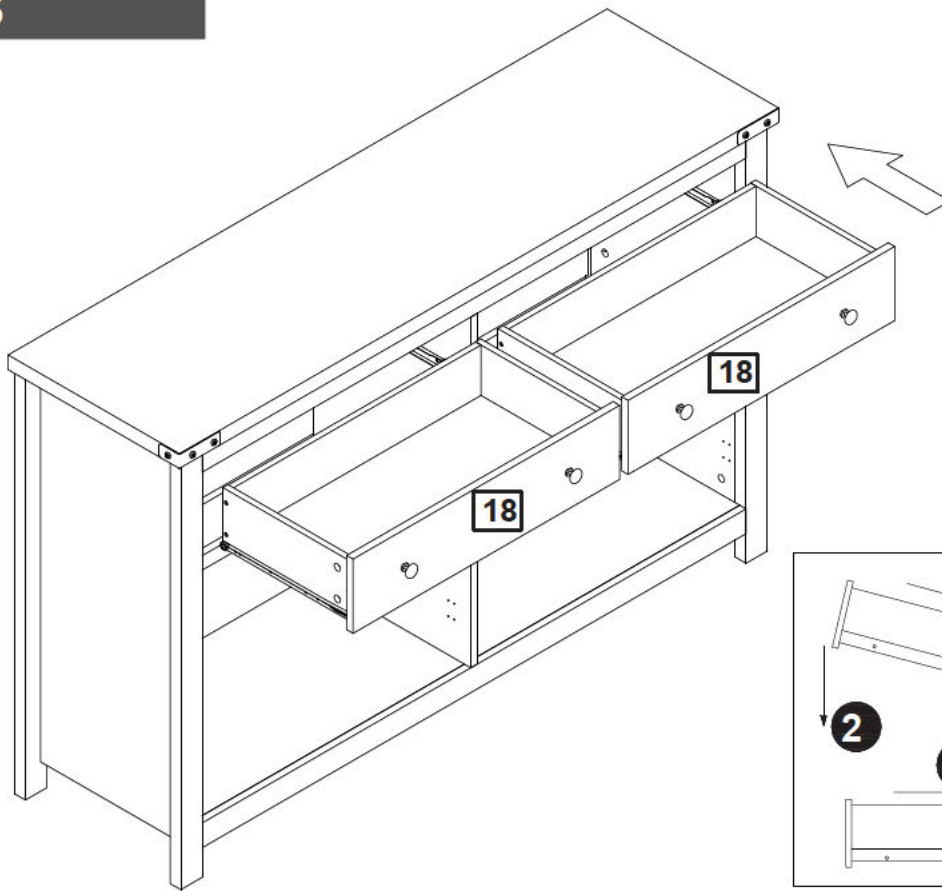


Step 34



Assembly Instructions

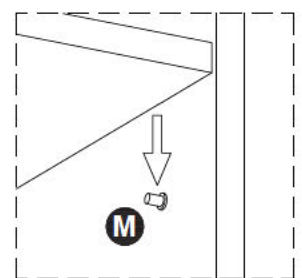
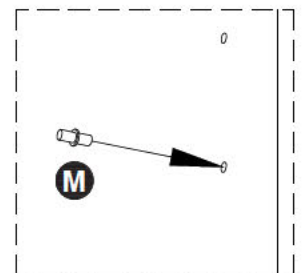
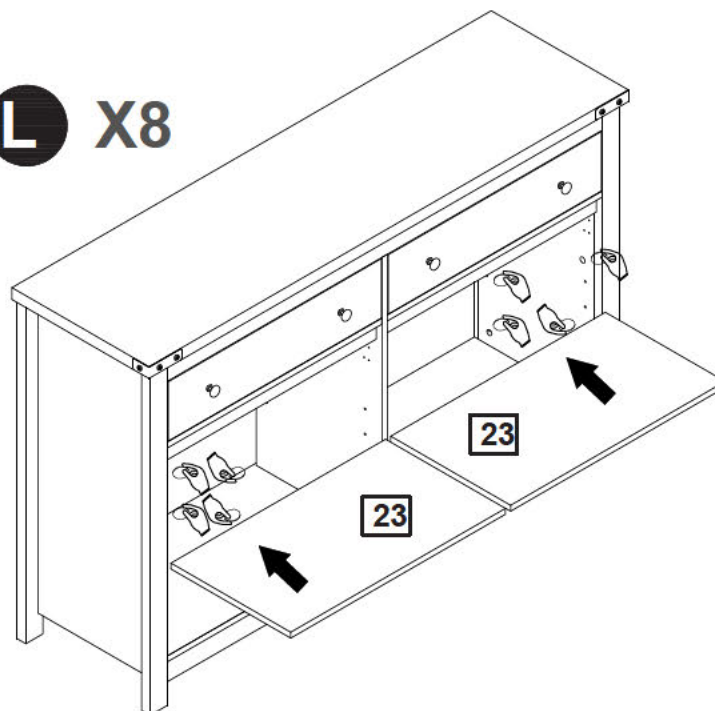
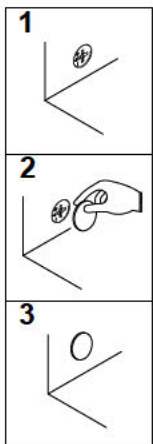
Step 35



Step 36

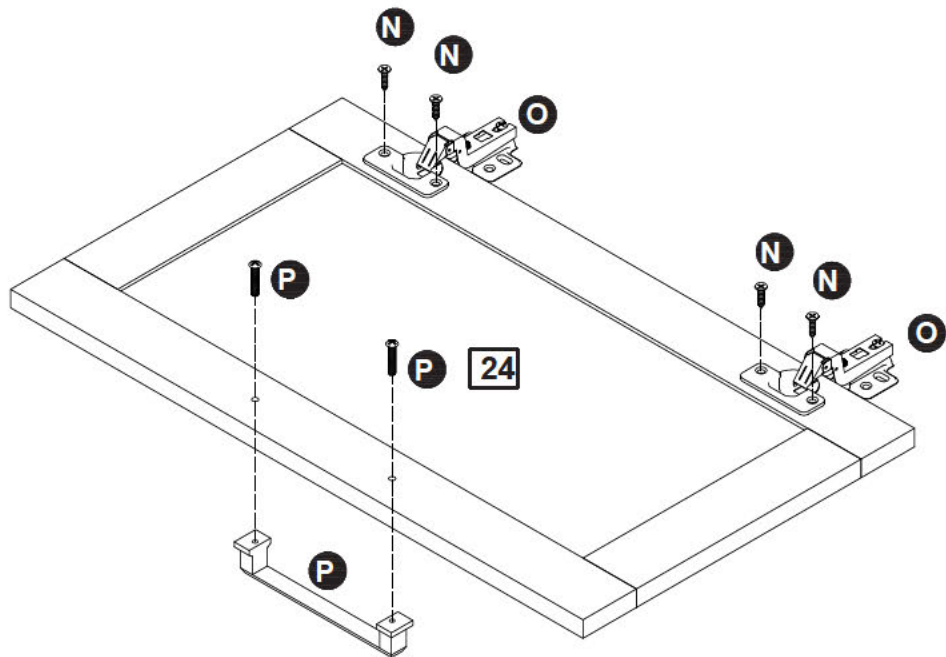
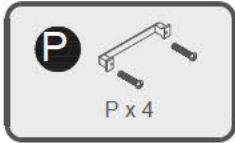


L X8



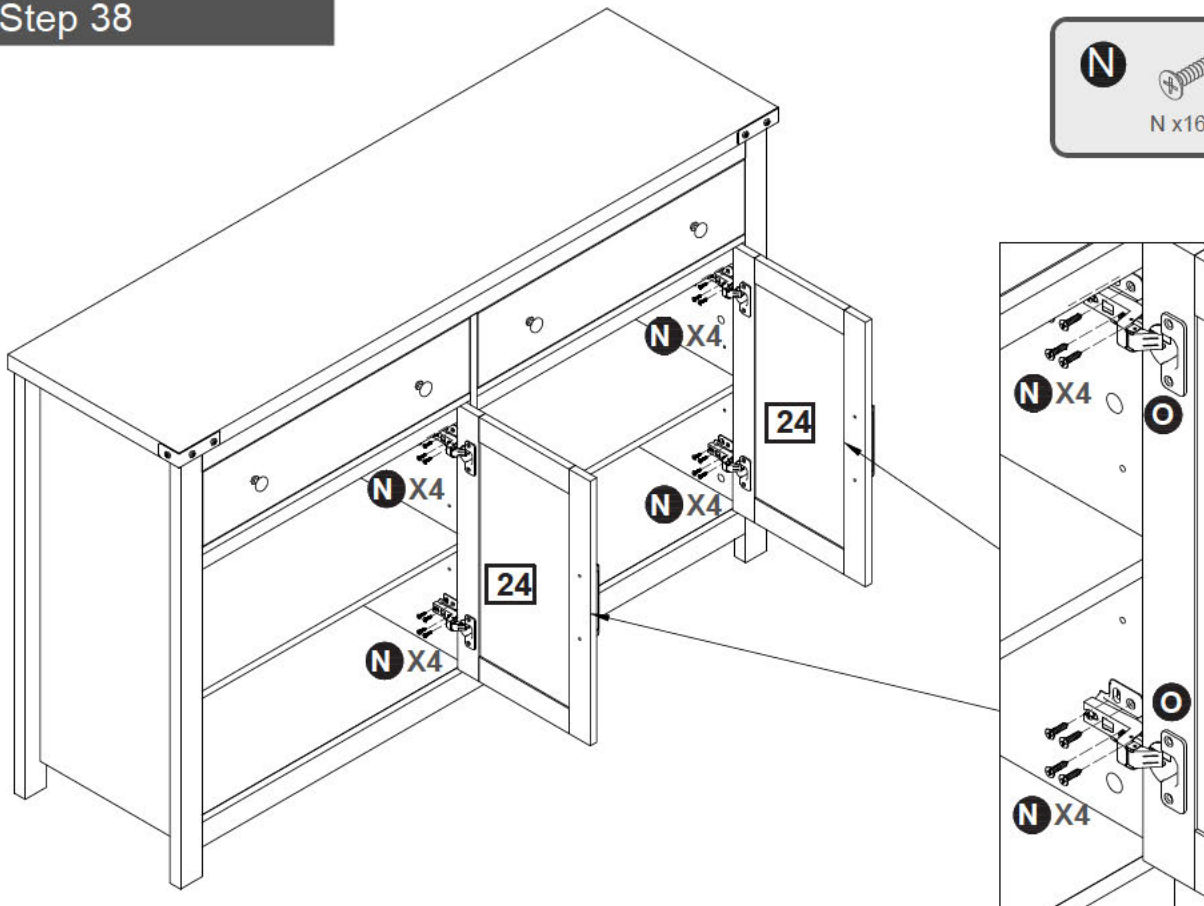
Assembly Instructions

Step 37



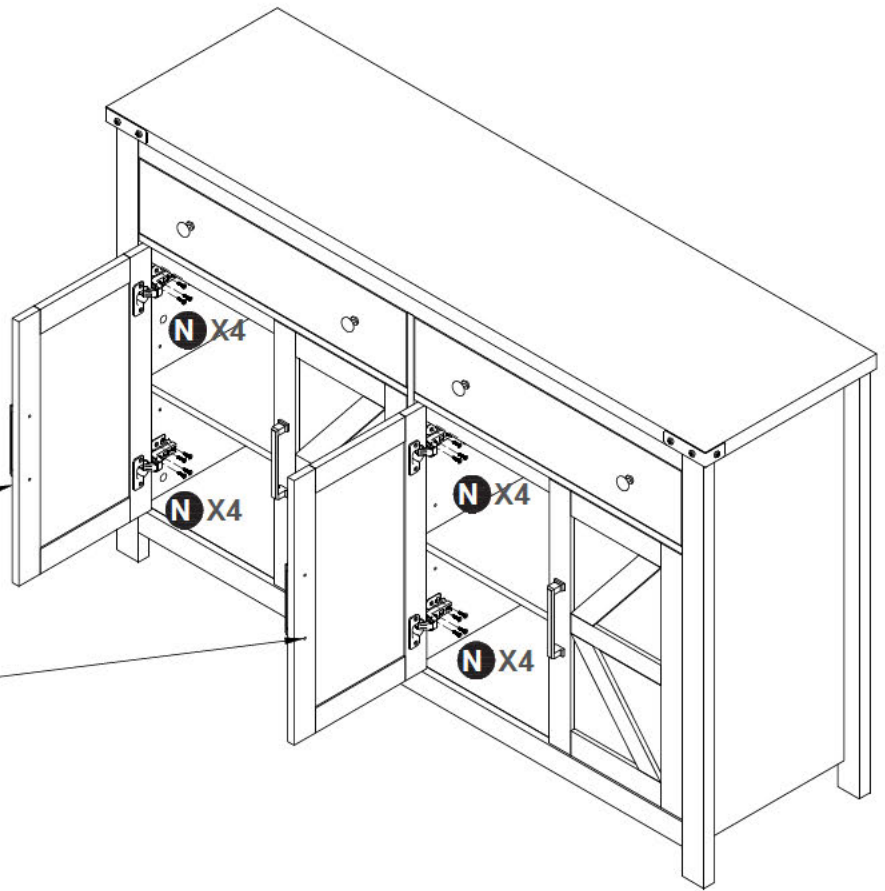
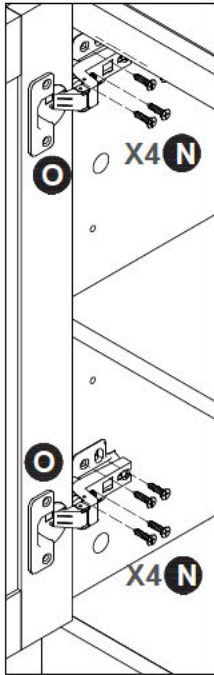
X4

Step 38

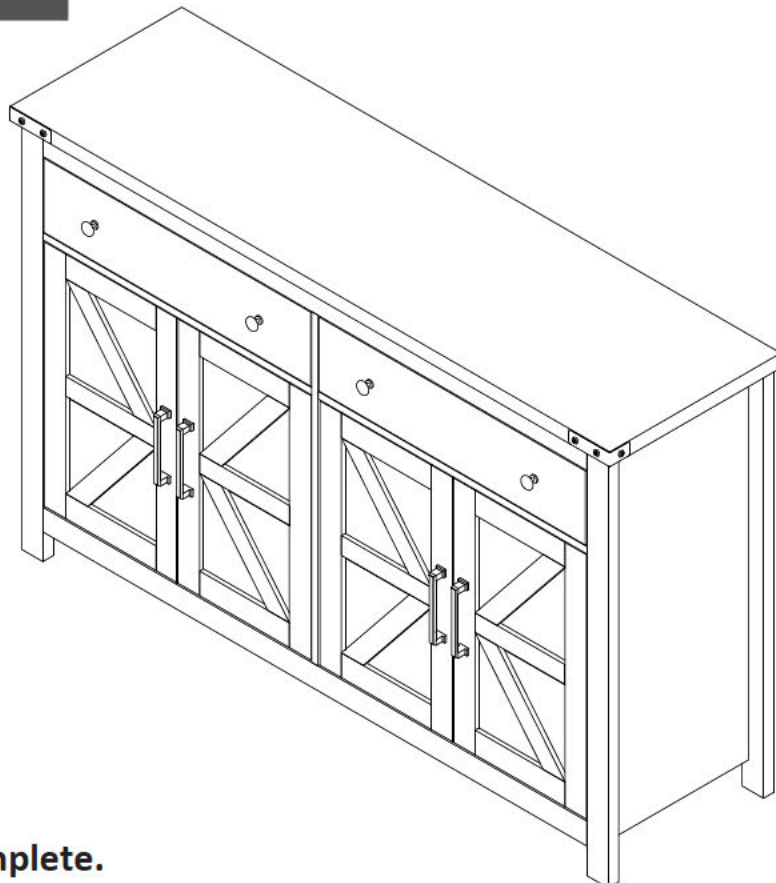


Assembly Instructions

Step 39



Step 40



Assembly is complete.

A Guide to Wall Mounting & Fixings

Important note:

If plastic wall plugs (rawl plugs) are supplied with your product, e.g.:



- these are only suitable for use in masonry walls.

If you are in any doubt about the correct wall plugs for your wall, seek professional advice.


Failure of the product due to using the incorrect fixings is the responsibility of the installer.



Important: when drilling into walls always check that there are no hidden wires or pipes etc.

Make sure that the screws and wall plugs being used are suitable for **supporting your unit**. **Consult a qualified tradesperson if you are unsure.**

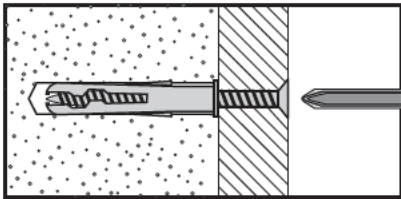
Hints:

- 1: General rule:  always use a larger screw and wall plug if you are not sure.
- 2: Ensure you use the recommended drill bit to match the wall plug and hole size.
- 3: Ensure you drill the hole horizontally; do not force the drill or enlarge the hole.
- 4: Take extra care when drilling high walls, ceilings and ceramic tiles. Ensure wall plugs are inserted beyond the thickness of the ceramic tiles to avoid the tiles splitting or cracking.
- 5: Ensure wall plugs are well fitted and are a tight fit in the drilled hole.

Types of walls

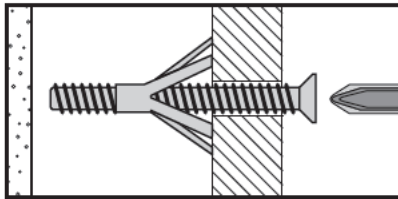
You can use one of the following types of wall plug if your walls are made of brick, breeze block, concrete, stone or wood.

No.1 "General Purpose" wall plug



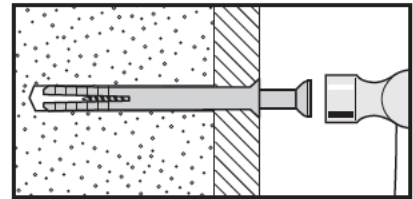
Generally aerated blocks should not be used to support heavy loads, use a specialist fitting in this case. For light loads, general purpose wall plugs can be used.

No.3 "Cavity Fixing" wall plug



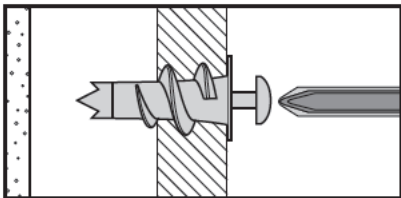
For use with plasterboard partitions or hollow wooden doors.

No.5 "Hammer Fixing" wall plug



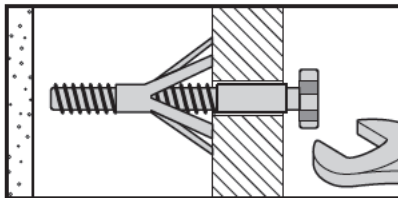
For use with walls stuck with plasterboard. The hammer fixing allows it to be fixed to the wall rather than the plasterboard. Always check the fixing is secure to the retaining wall.

No.2 "Plasterboard" wall plug



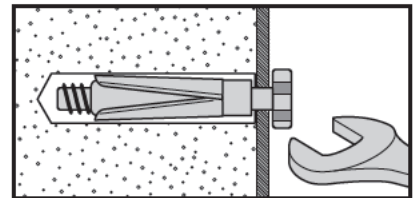
For use when attaching light loads onto plasterboard partitions.

No.4 "Cavity Fixing - Heavy Duty" wall plug



For use when fitting or supporting heavy loads such as shelving, wall cabinets and coat racks.

No.6 "Shield Anchor" wall plug - heavy loads



For use with heavier loads such as TV and HiFi speakers and satellite dishes etc.



Care & Maintenance

Safety: always check the fitting and location to ensure your safety in and around the home.

Fitting: from time to time check the fitting to ensure the wall plugs or screws do not become loose.