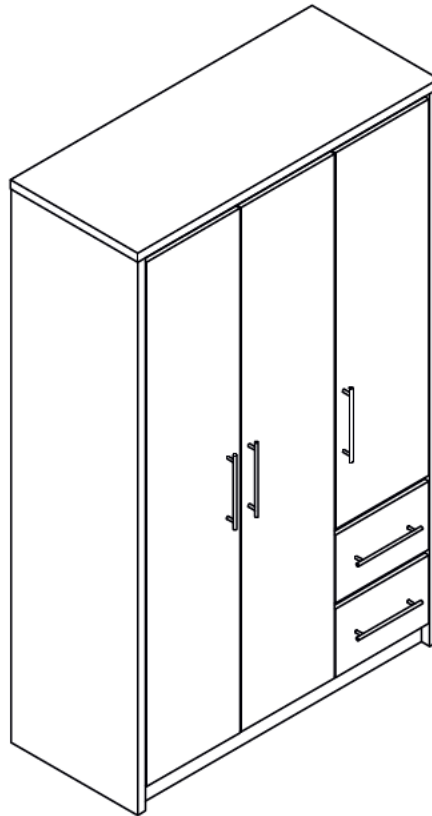


3 DOOR 2 DRAWER WARDROBE ASSEMBLY INSTRUCTIONS



FOR DOMESTIC USE ONLY
IMPORTANT

PLEASE READ BEFORE YOU CONTINUE FURTHER

THE PRODUCT YOU HAVE PURCHASED WILL GIVE YOU MANY YEARS OF SERVICE IF YOU FOLLOW THE GUIDELINES FOR ITS SAFE ASSEMBLY AND PERIODIC MAINTENANCE **AND CLEANING.**

ASSEMBLE ON A SOFT CLEAN **SURFACE.**

DO NOT USE ANY TOOLS OTHER THAN THOSE **SHOWN.**

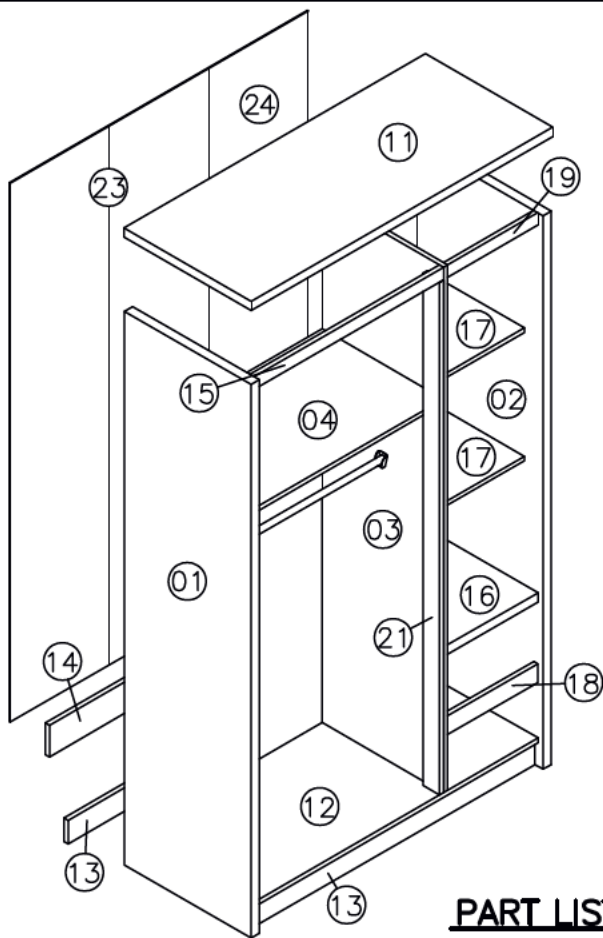
ANY SPANNERS OR ALLEN KEYS REQUIRED ARE INCLUDED WITH THE **FITTINGS KIT.**

DO NOT FOR ANY REASON USE A POWER TOOL TO ASSEMBLE THIS PRODUCT. ITS USE WILL INVALIDATE ANY CLAIM YOU MAY HAVE AND COULD MAKE THIS PRODUCT UNSAFE.

DEPENDING ON THE AMOUNT OF USE THIS PRODUCT RECEIVES, IT MAY BE NECESSARY TO TIGHTEN UP THE FIXINGS FROM TIME TO TIME. THIS IS COMPLETELY NORMAL FOR ANY FLAT PACK FURNITURE. DO NOT OVERTIGHTEN FIXINGS.

FOR CLEANING, YOU MAY USE A DAMP CLOTH (NOT WET). DO NOT USE POLISH, DETERGENT OR CHEMICAL CLEANERS.

THE SURFACE OF THIS ITEM IS NOT HEAT RESISTANT. ALWAYS USE A PLACE MAT UNDER HOT OR COLD ITEMS TO PREVENT MARKING.



PART LIST

Carton 1

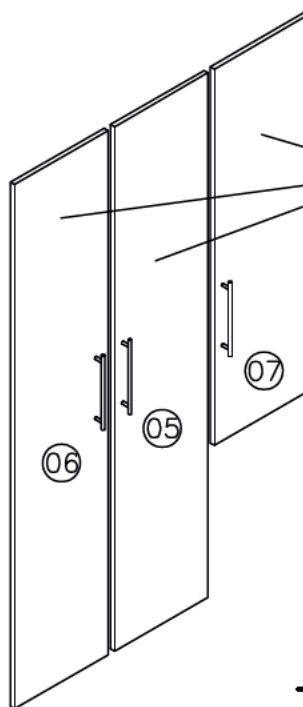
No.	Part Name	QTY
1	Left Side Panel	x1
2	Right Side Panel	x1
3	Centre Panel	x1
23	Back Panel	x1
24	Back Panel	x1

Carton 2

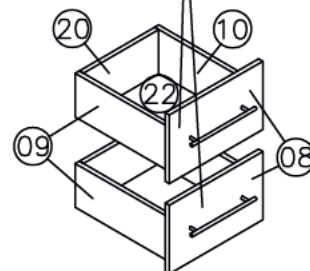
No.	Part Name	QTY
5	Centre Door Panel	x1
6	Left Door Panel	x1
7	Right Door Panel	x1
8	Drawer Front	x2
9	Left Drawer Side	x2
10	Right Drawer Side	x2
14	Back Support	x1
16	Shelf Right	x1
18	Support	x1
19	Right Support Panel	x1
20	Drawer Back	x2
21	Support Centre	x1

Carton 3

No.	Part Name	QTY
4	Shelf Left	x1
11	Top Panel	x1
12	Bottom Panel	x1
13	Crossbar	x2
15	Left Support Panel	x1
17	Shelf Adjustable	x2
22	Drawer Base	x2



PLEASE NOTE THE CLEAR PROTECTIVE FILM WHICH NEEDS REMOVING FROM THE GLOSS FINISH.



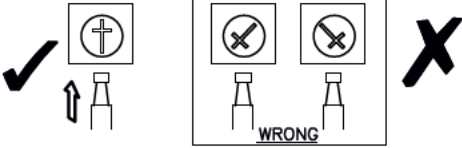
HARDWARE LIST

Carton 3

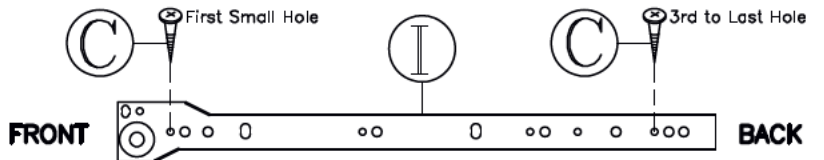
	Part Name		QTY
A	Wooden Dowel (6x25mm)		x48
B	65mm Screw (4x65mm)		x15
C	14mm Screw (3.5x14mm)		x74
D	38mm Screw (4x38mm)		x8
E	Cam Bolt (8032T)		x4
F	Cam Nut (1512)		x4
G	10" Handle (192mm)		x5
H	20mm Handle Screw		x10
I	14" Drawer Slide (0.9mm) W (vkt)		2 Set
J	PVC L - Bracket		x4
K	Plastic Foot		x6
L	6/8" Nail		x98
M	WALL FIXING (4x20mm=1pc)		x1
N	Screw Cover (Sticker 12mm)		x18
O	Hanging Rail Support		x2
P	Hanging Rail (687mm) Carton 1		x1
Q	End Hinges (M11)		x6
R	45mm Screw (4x45mm)		x7
S	Shelf Support (AC45)W		x8
T	30mm Screw (4x30mm)		x4
U	Centre Hinges (M11-c)		x3

When Fitting Cam

Ensure starting position correct before you insert connecting bolt turn clockwise until secure.

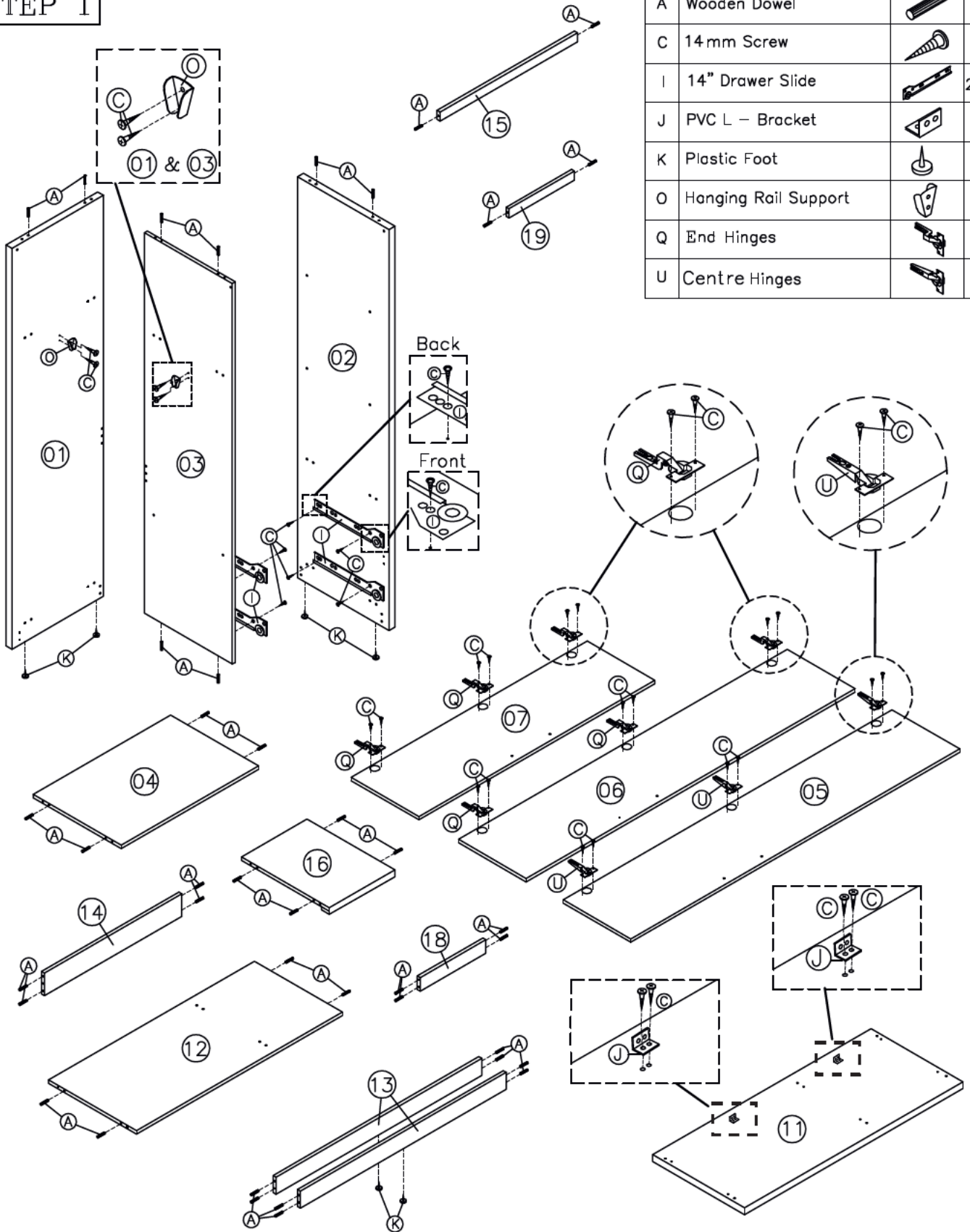


To Assemble the Drawer Slide, Please Follow Step as Below



STEP 1

A	Wooden Dowel		x40
C	14 mm Screw		x34
I	14" Drawer Slide		2 Set
J	PVC L - Bracket		x2
K	Plastic Foot		x6
O	Hanging Rail Support		x2
Q	End Hinges		x6
U	Centre Hinges		x3

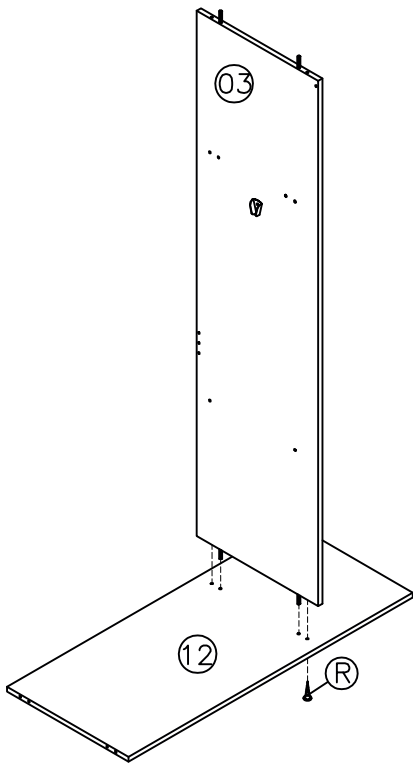


STEP 2

R 45mm Screw



x2



STEP 3

B 65mm Screw



x4

N Screw Cover

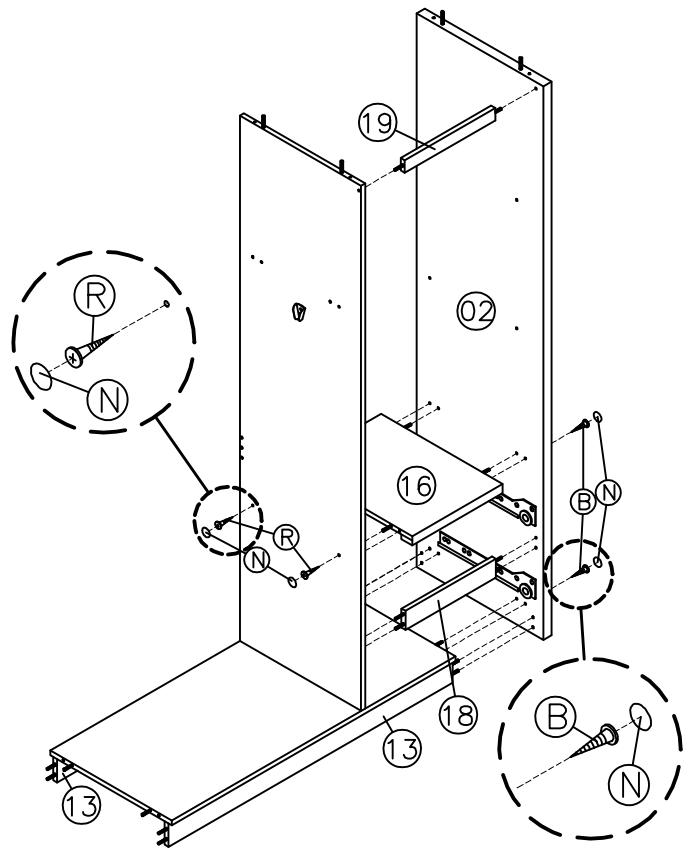


x6

R 45mm Screw



x2



STEP 4

N Screw Cover

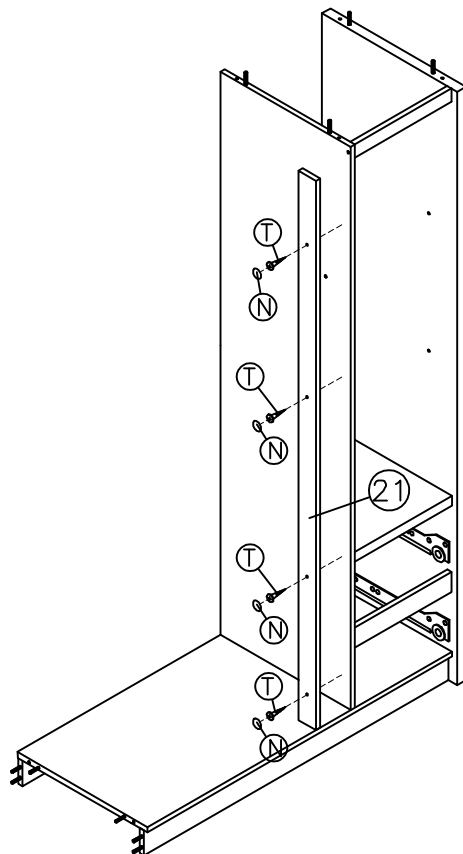


x4


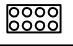

T 30mm Screw

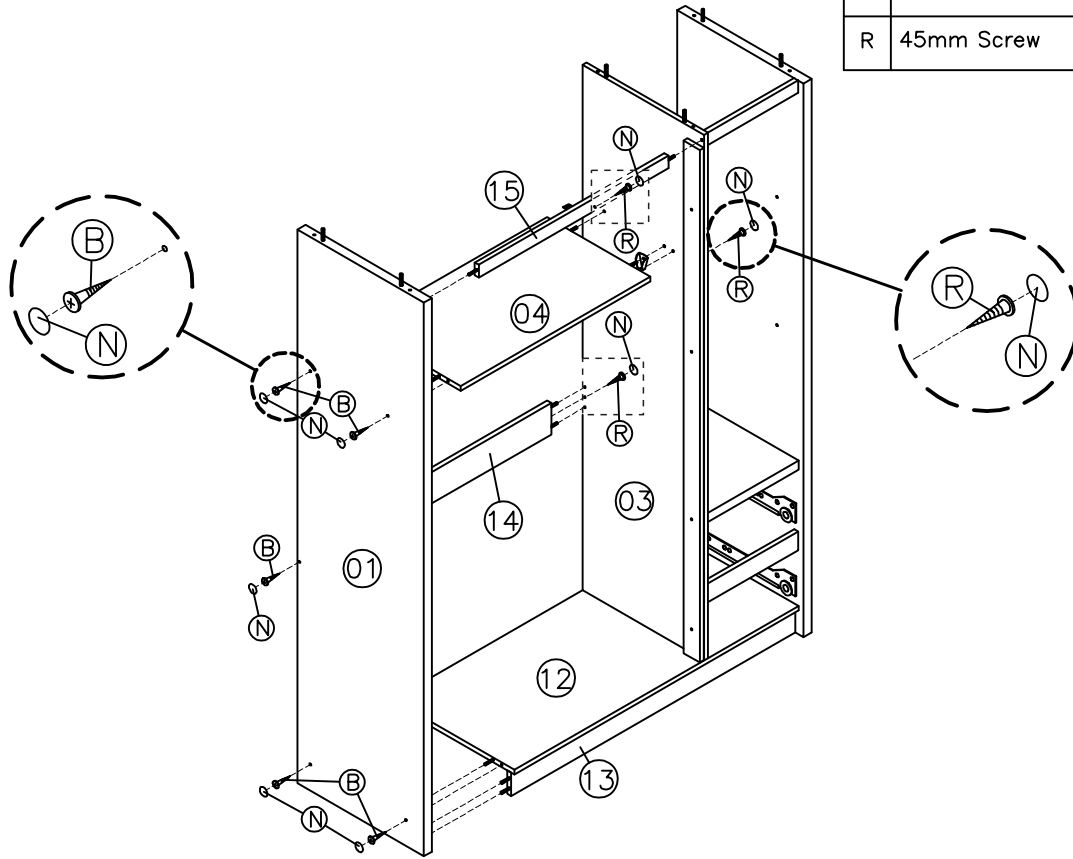


x4



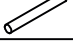



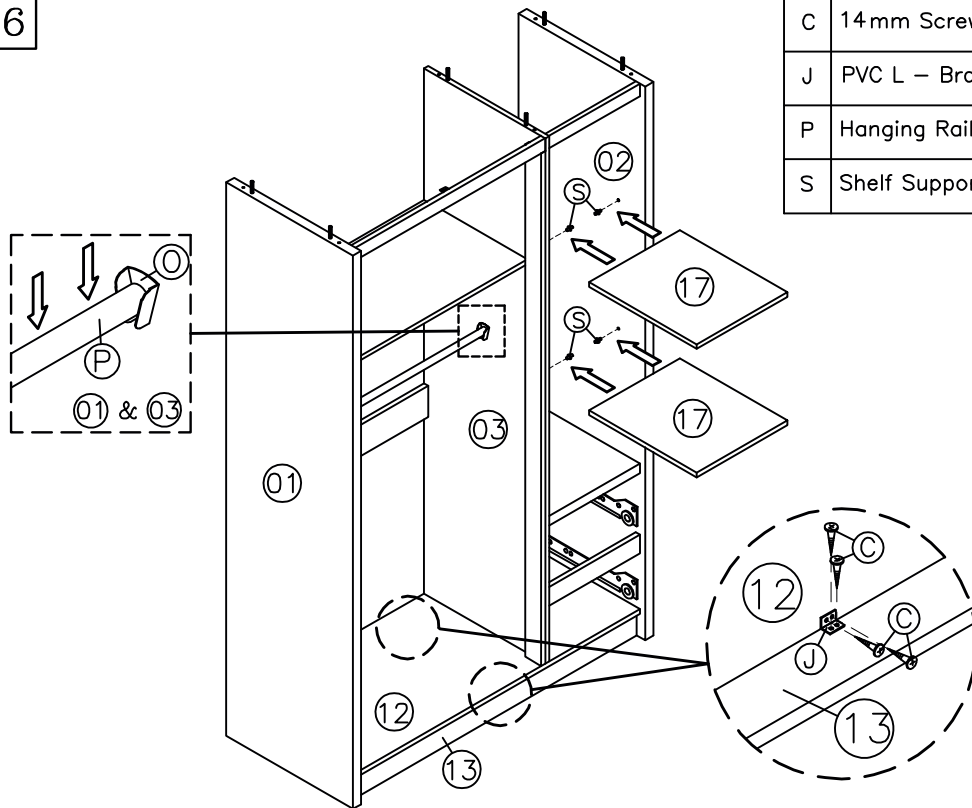
STEP 5

B	65mm Screw		x5
N	Screw Cover		x8
R	45mm Screw		x3



STEP 6

C	14mm Screw		x8
J	PVC L – Bracket		x2
P	Hanging Rail (688mm)		x1
S	Shelf Support		x8

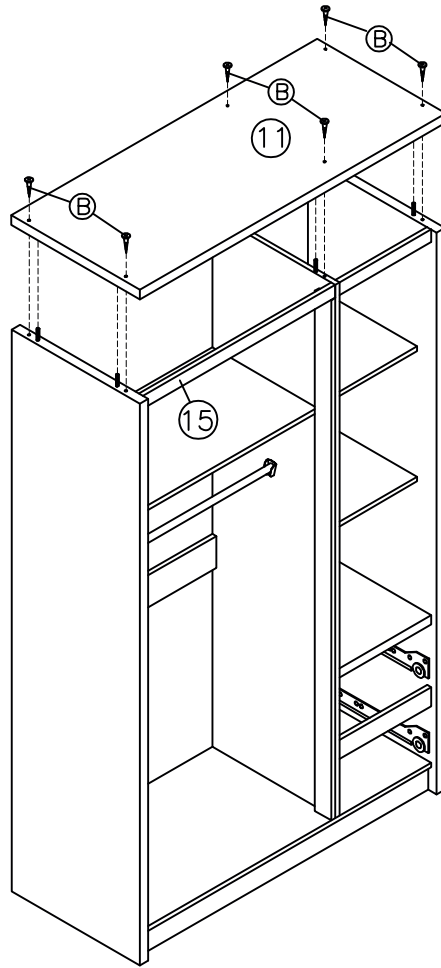


STEP 7

B 65mm Screw



x6

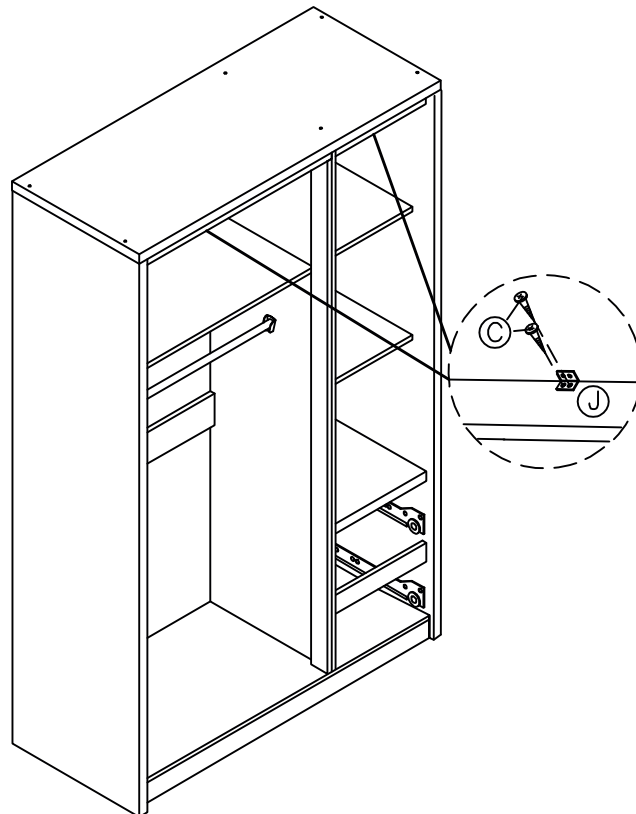


STEP 8




C 14 mm Screw



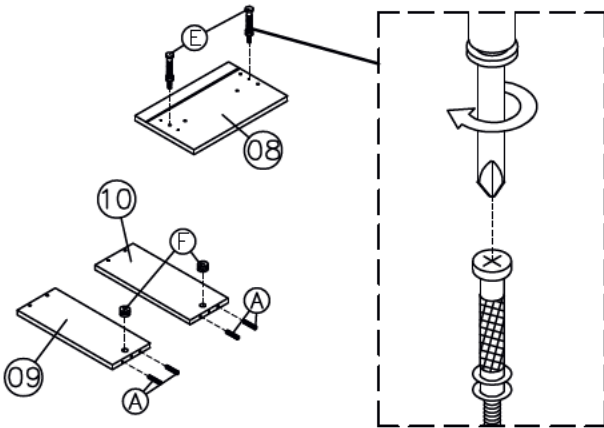
x4



STEP 9

A	Wooden Dowel		x8
E	Cam Bolt		x4
F	Cam Nut		x4

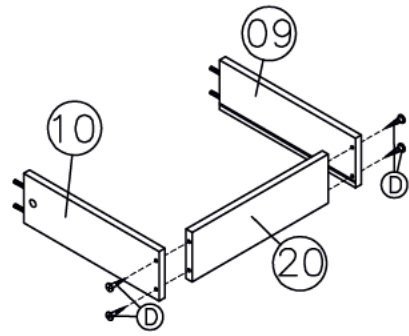
x2



STEP 10

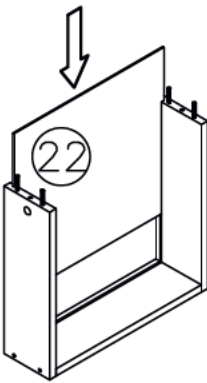
D	38mm Screw		x8
---	------------	---	----

x2



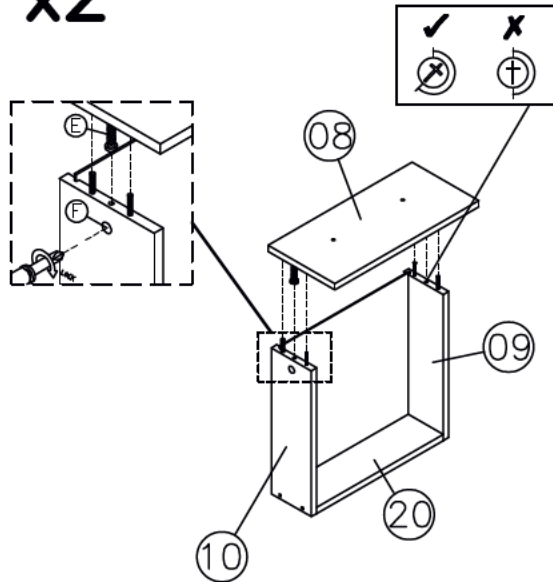
STEP 11

x2





STEP 12

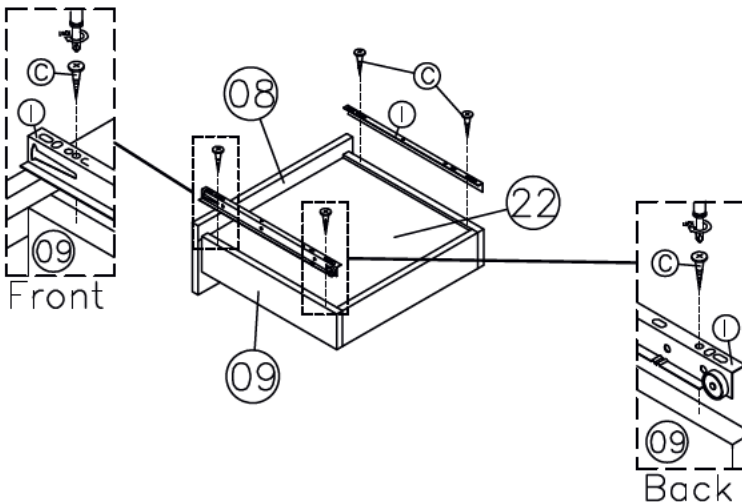
x2





STEP 13

C	14 mm Screw		x8
I	14" Drawer Slide		2 Set

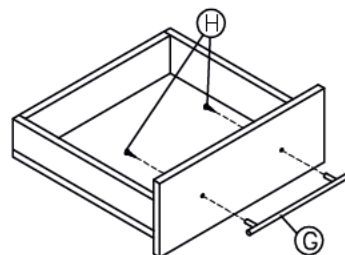
x2








STEP 14

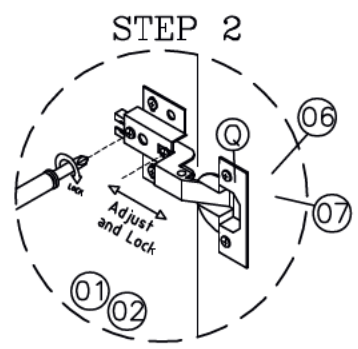
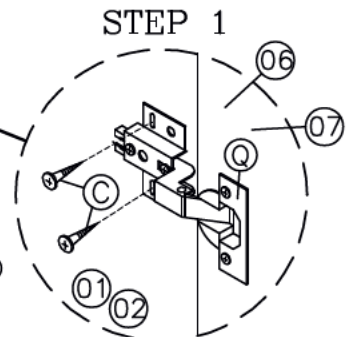
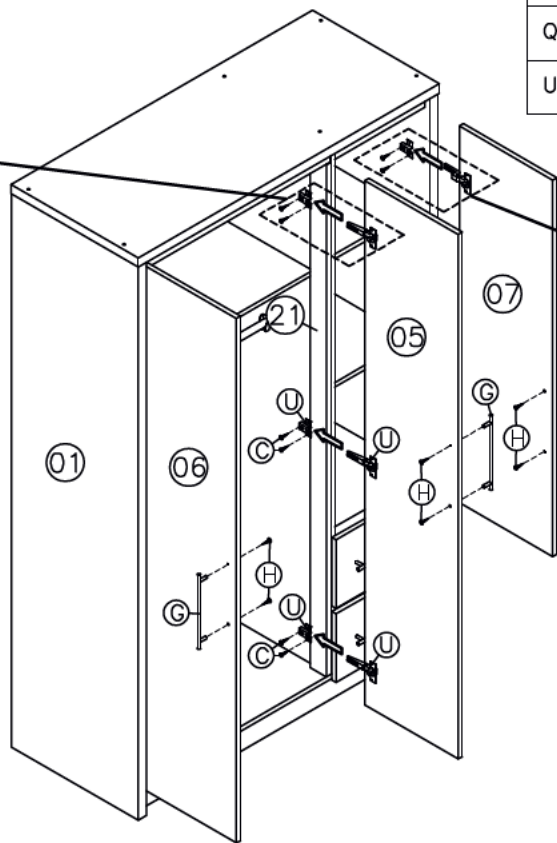
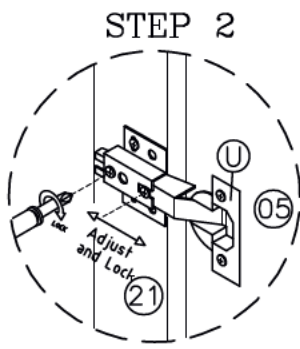
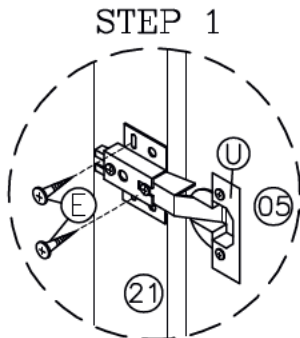
G	10" Handle (192mm)		x2
H	20mm Handle Screw		x4

x2





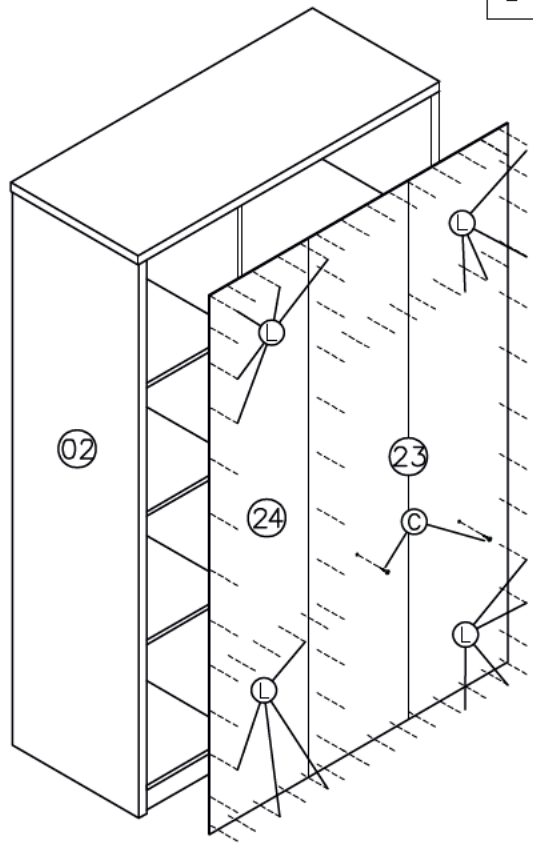
STEP 15

C	14 mm Screw		x18
G	10" Handle (192mm)		x3
H	20mm Handle Screw		x6
Q	End Hinges		x6
U	Centre Hinges		x3




STEP 16


C	14 mm Screw		x2
L	6/8" Nail		x98



STEP 17

HARDWARE LIST

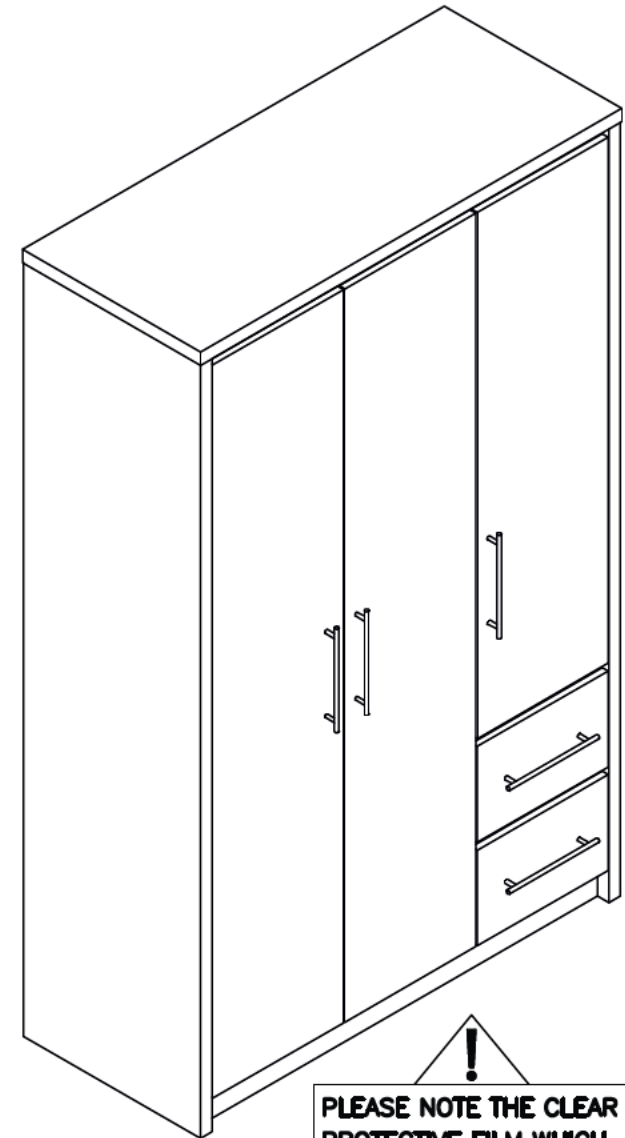
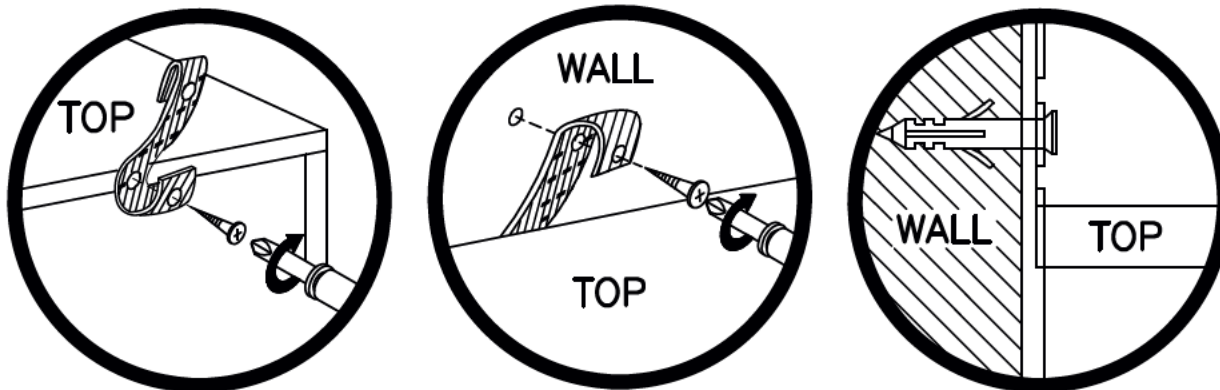
M 
Anti-Tip Strap – 1pc


Screw 20mm – 1pc

WARNING

Serious or fatal injuries can occur from furniture tipping over. To prevent the furniture from tipping over we recommend that it is permanently fixed to the wall.

Wall fixings are not supplied with this product as different wall materials require different types of fixing devices. Please make sure you use fixings suitable for the walls in your home



PLEASE NOTE THE CLEAR PROTECTIVE FILM WHICH NEEDS REMOVING FROM THE GLOSS FINISH.

FINISH