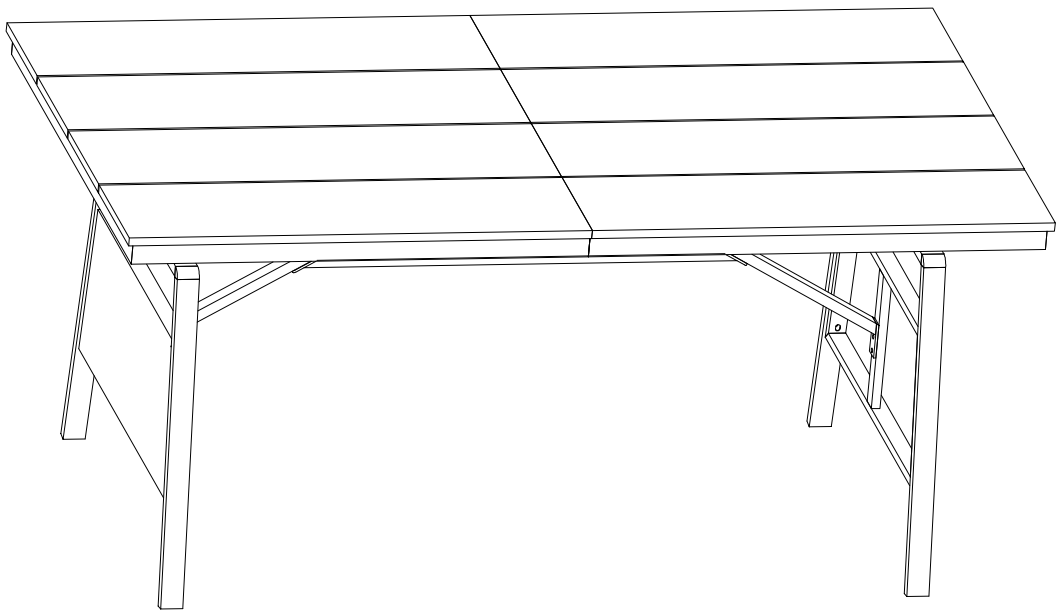
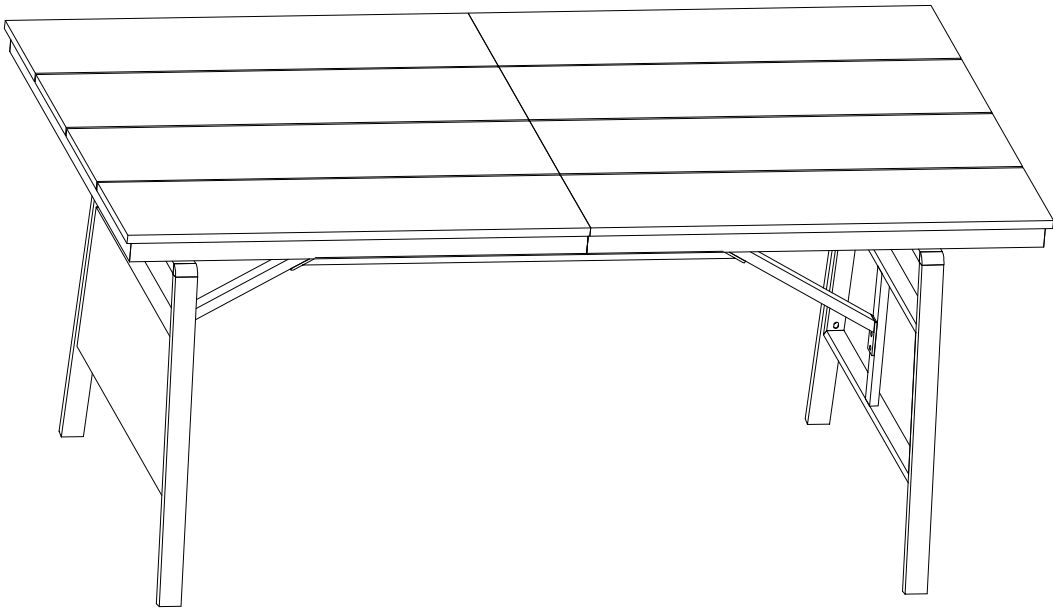


# ASSEMBLY INSTRUCTION

## Outdoor Dining Table



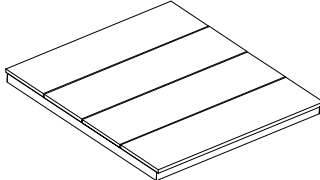
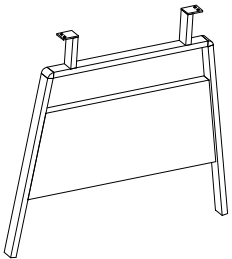
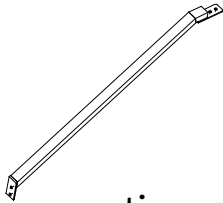
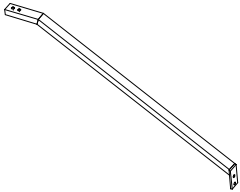

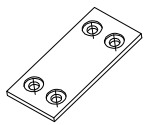
# Products List



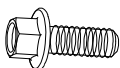
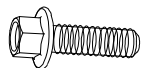
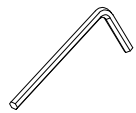
table

1-PC

# Parts List Box

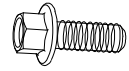
<div style="border: 1px solid black; padding: 2px; width: 20px; margin: 0 auto;">A</div>  <p style="text-align: center;">desktop 2PCS</p>	<div style="border: 1px solid black; padding: 2px; width: 20px; margin: 0 auto;">B</div>  <p style="text-align: center;">table leg 2PCS</p>	<div style="border: 1px solid black; padding: 2px; width: 20px; margin: 0 auto;">C</div>  <p style="text-align: center;">connecting rod-1 1PC</p>	<div style="border: 1px solid black; padding: 2px; width: 20px; margin: 0 auto;">D</div>  <p style="text-align: center;">connecting rod-2 1PC</p>
<div style="border: 1px solid black; padding: 2px; width: 20px; margin: 0 auto;">E</div>  <p style="text-align: center;">connecting rod-3 1PC</p>	<div style="border: 1px solid black; padding: 2px; width: 20px; margin: 0 auto;">F</div>  <p style="text-align: center;">connecting piece 2PCS</p>		

# Hardwares List

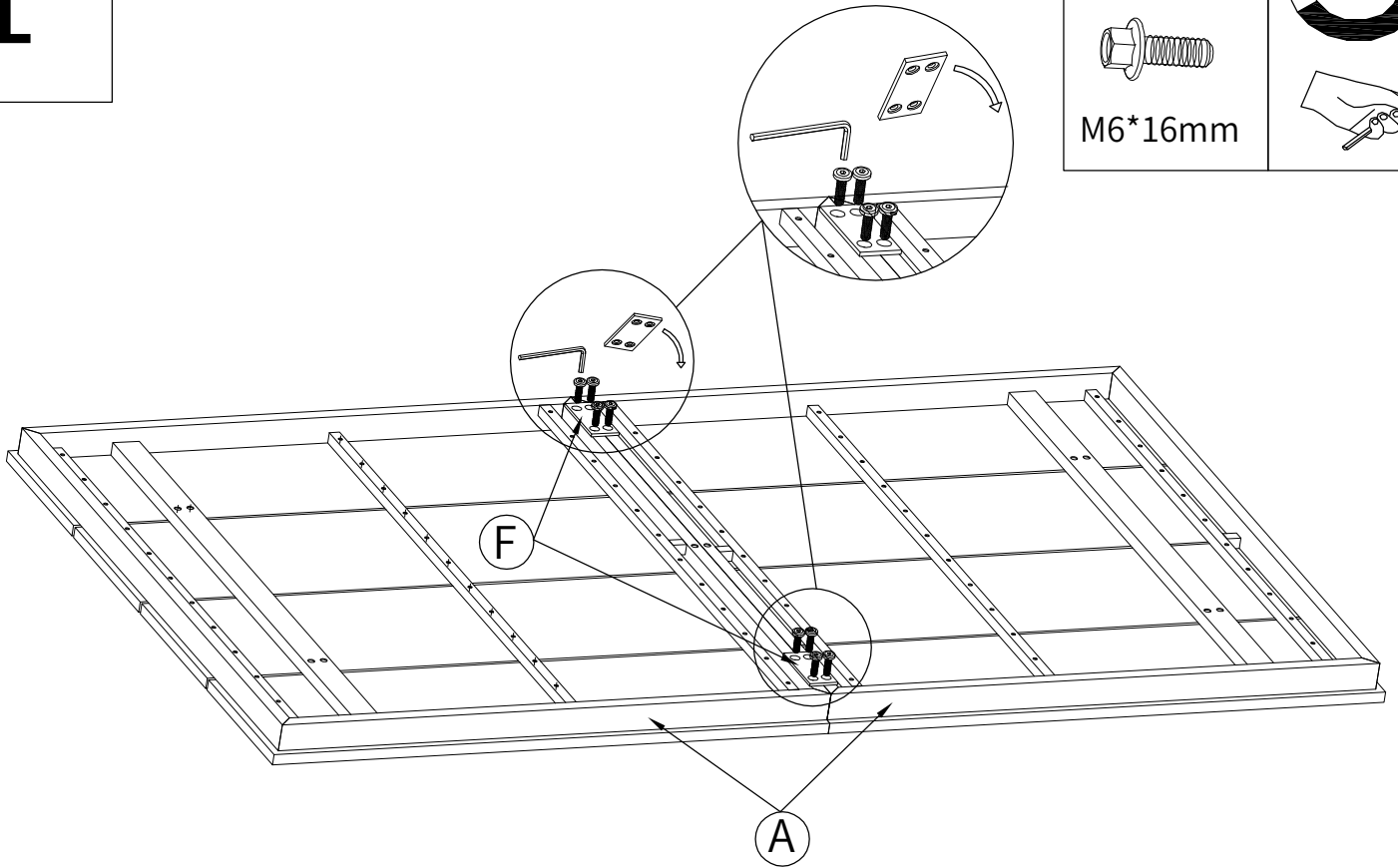
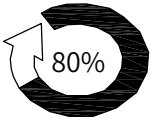
<div style="border: 1px solid black; padding: 2px; width: 20px; margin: 0 auto;">#1</div>  <p style="text-align: center;">screw M6*16 (mm) 22+1 (1 backup) PCS</p>	<div style="border: 1px solid black; padding: 2px; width: 20px; margin: 0 auto;">#2</div>  <p style="text-align: center;">screw M6*40 (mm) 2+1 (1 backup) PCS</p>	<div style="border: 1px solid black; padding: 2px; width: 20px; margin: 0 auto;">#3</div>  <p style="text-align: center;">1PC</p>	

# 1

#1X8pcs

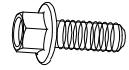


M6\*16mm

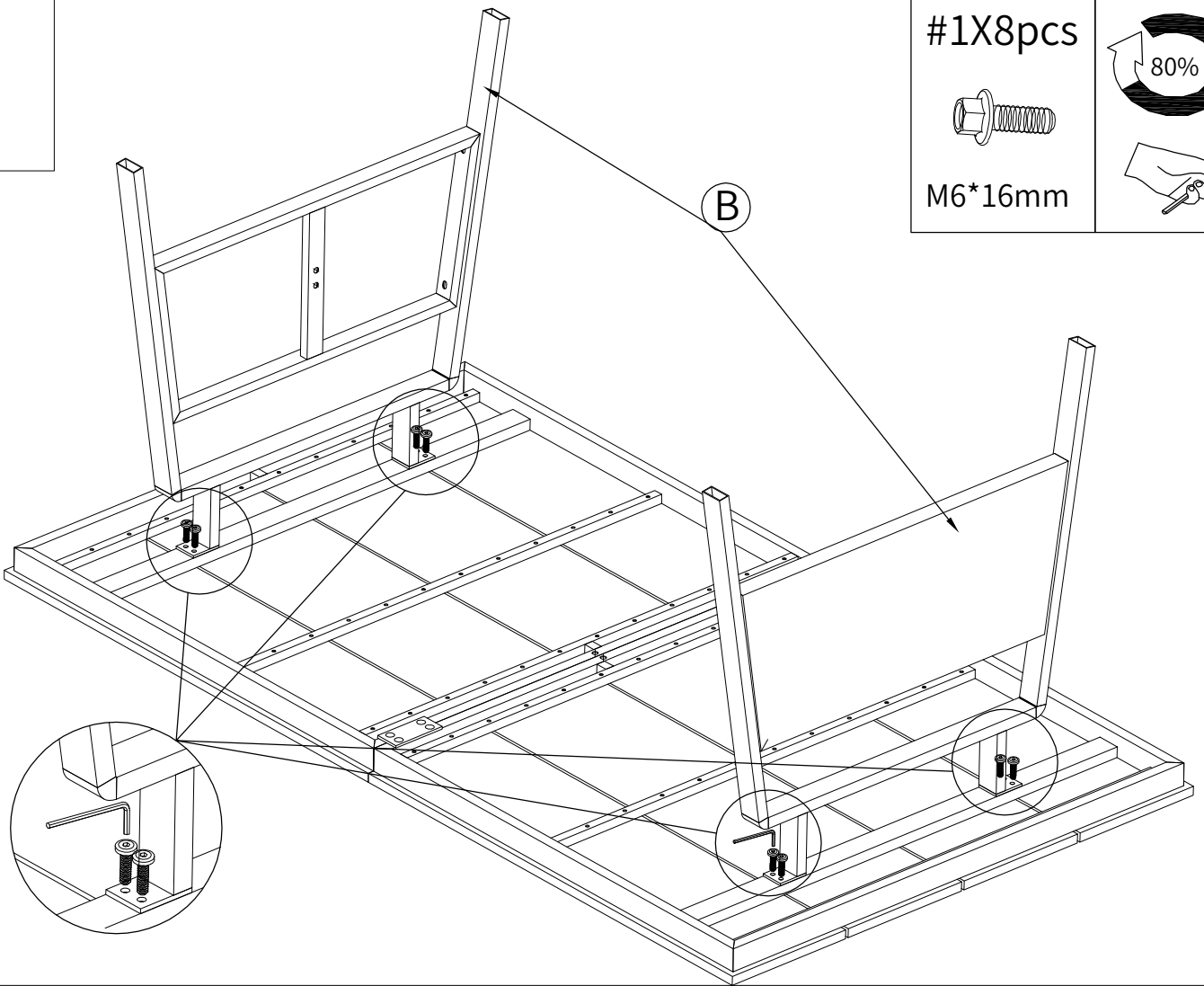
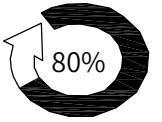


# 2

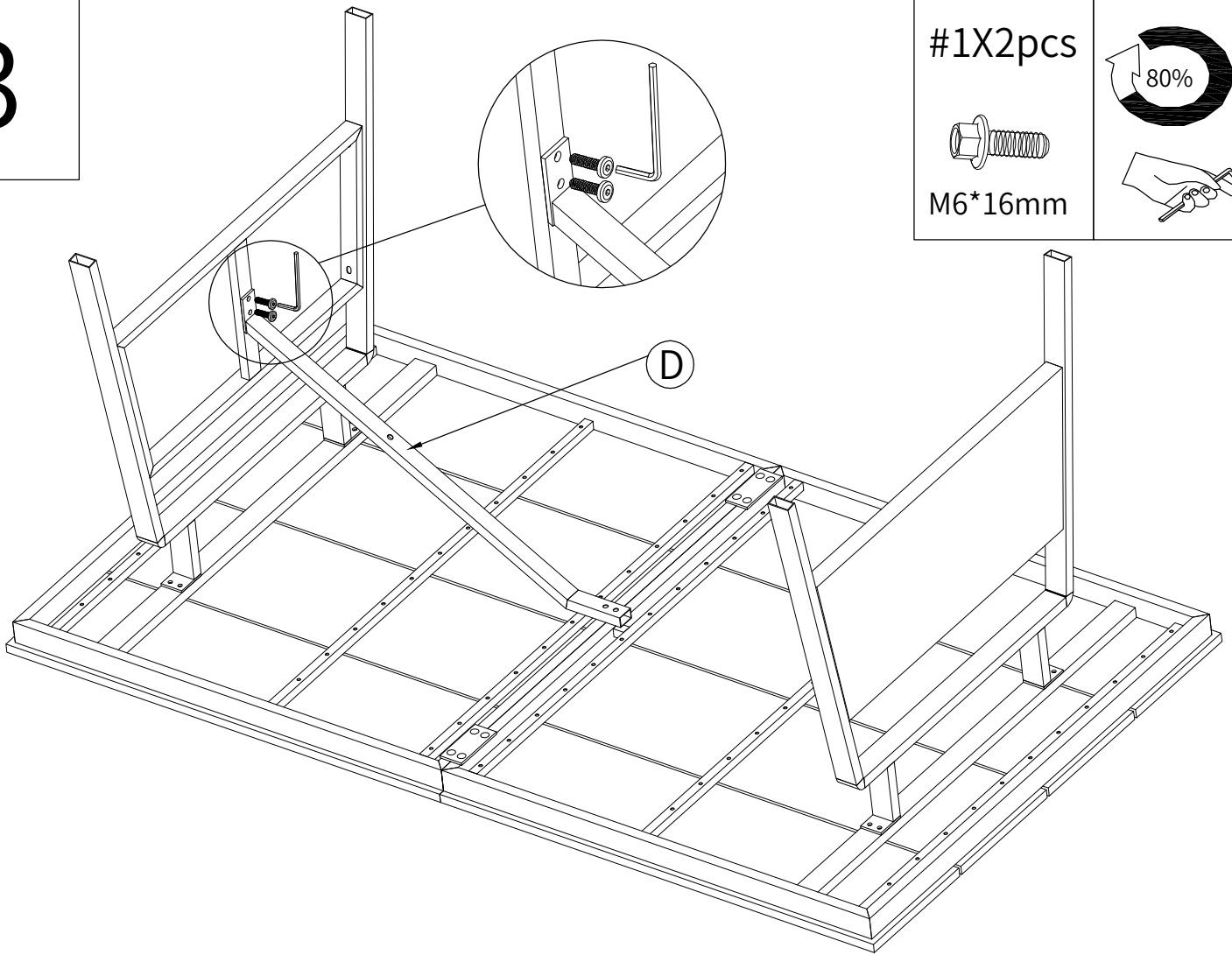
#1X8pcs



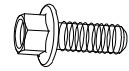
M6\*16mm



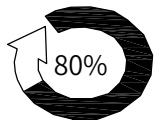
3



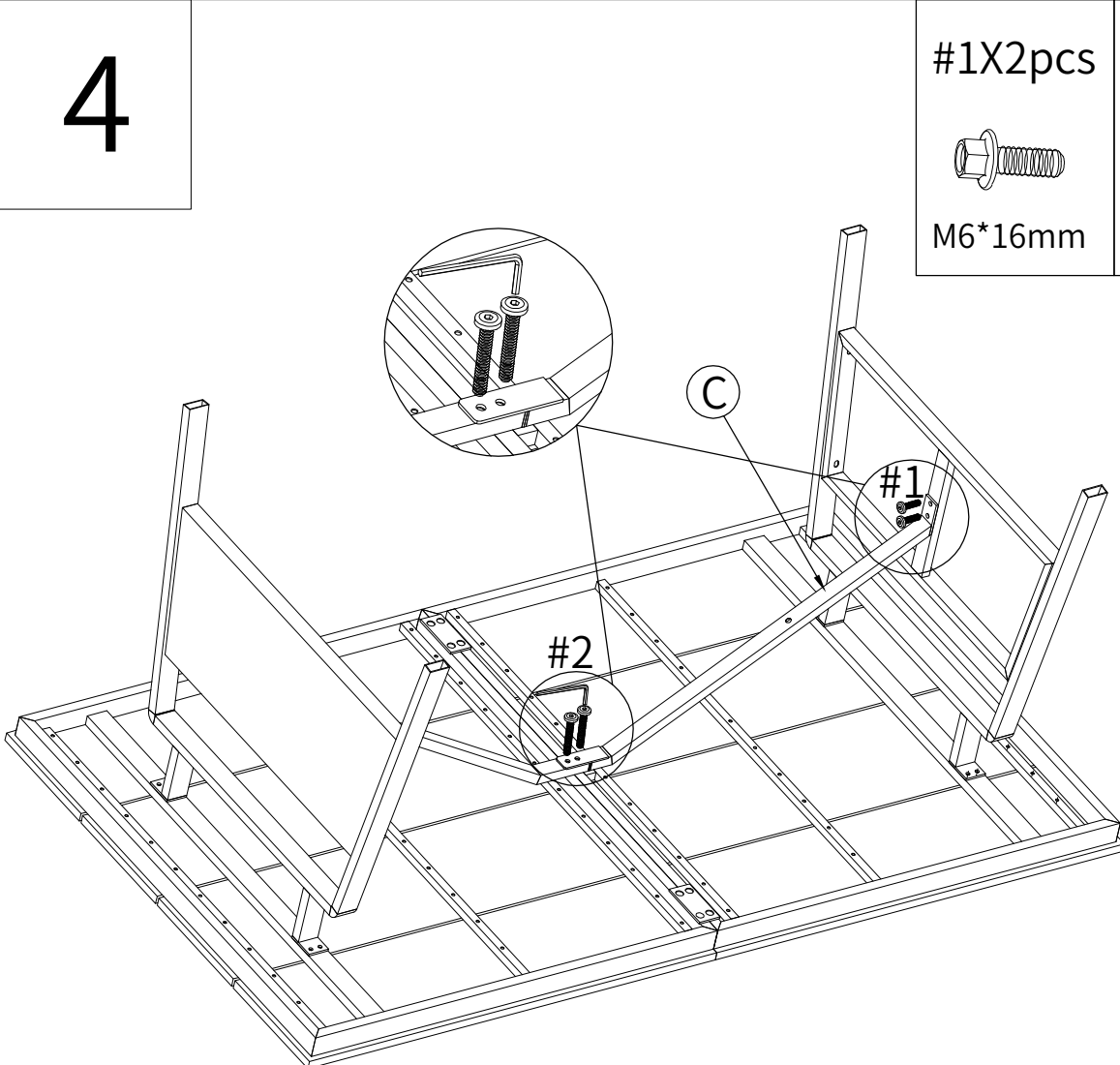
#1X2pcs



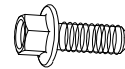
M6\*16mm



4

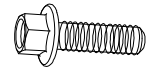


#1X2pcs

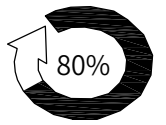


M6\*16mm

#2X2pcs

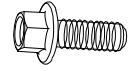


M6\*40mm

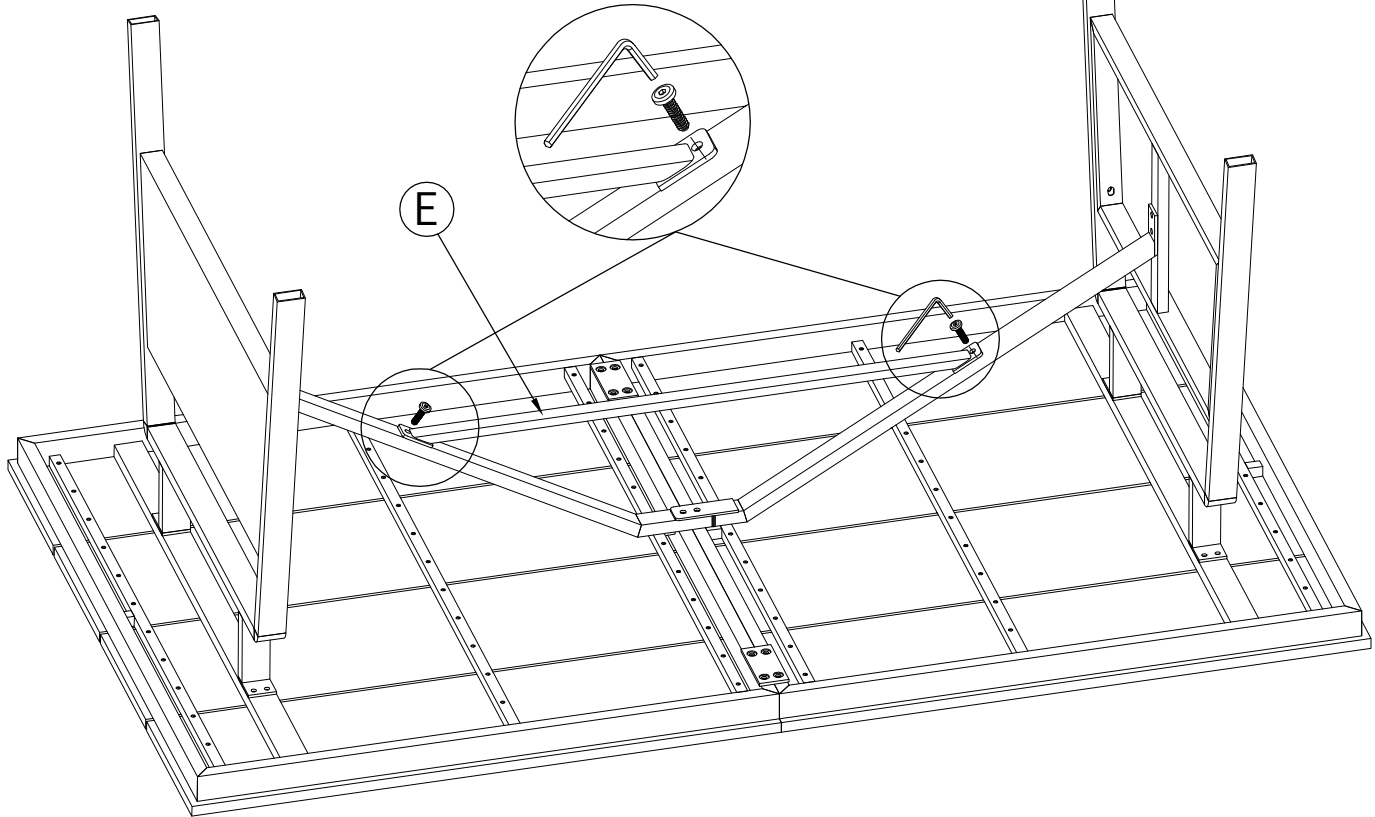
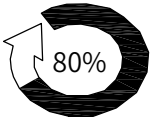


5

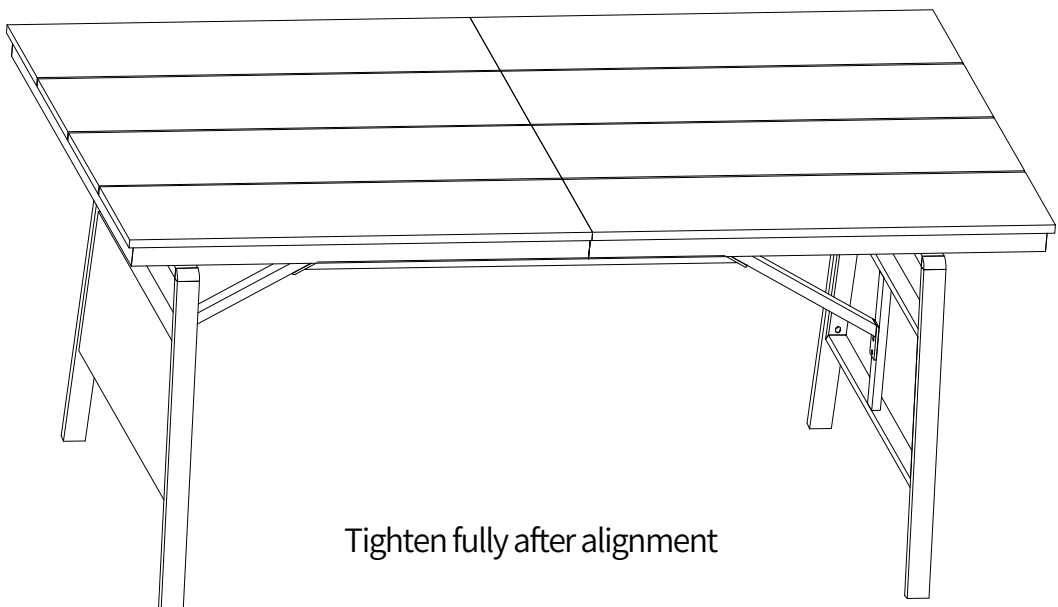
#1X2pcs



M6\*16mm



6



Tighten fully after alignment