

A x1



B x1



C x1



D x1



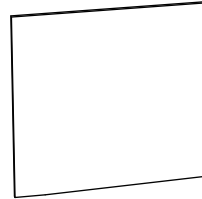
E x1



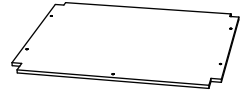
F x1



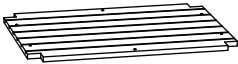
G x1



H x1



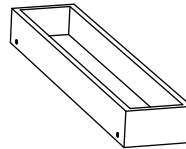
I x1



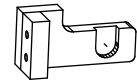
J x2



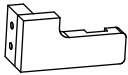
K x1



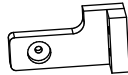
L x1



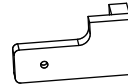
M x1



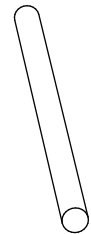
N x1



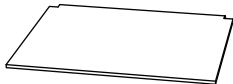
O x1



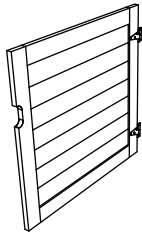
P x2



Q x1



R x1



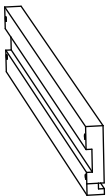
S x1



T x1



U x2



V x1



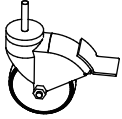
W x1



X x1



Y x 2



Z x 2



① x 6

M3\*10

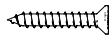
Spare+1



② x 8

M3\*25

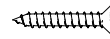
Spare+1



③ x 11

M4\*20

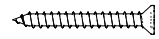
Spare+1



④ x 6

M4\*30

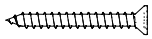
Spare+1



⑤ x 8

M4\*35

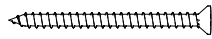
Spare+1



⑥ x 8

M4\*60

Spare+1



⑦ x 2

M4\*25



⑧ x 2

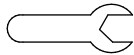
M6\*45

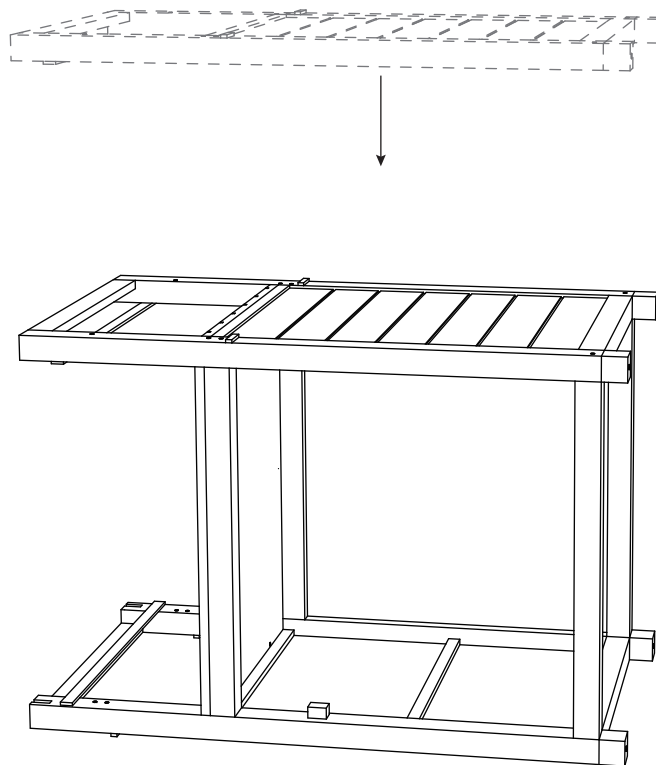
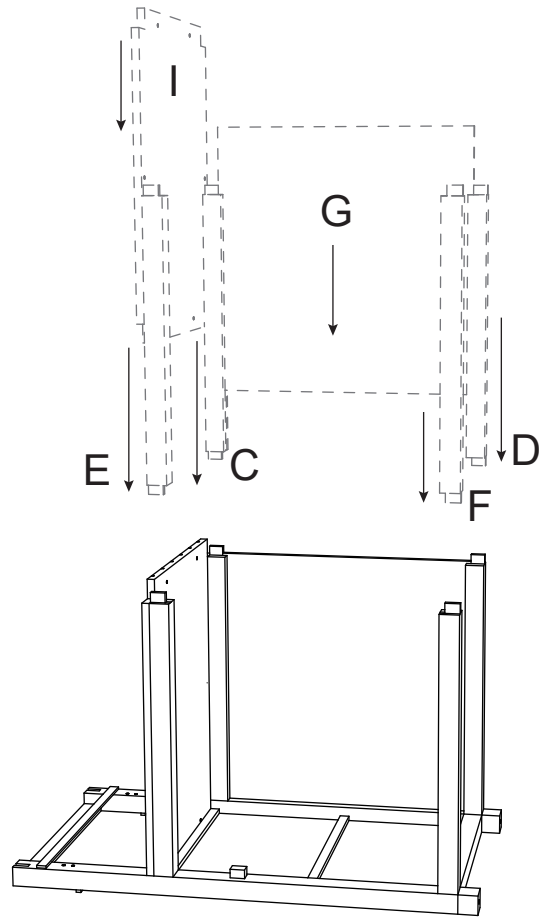


⑨ x 1

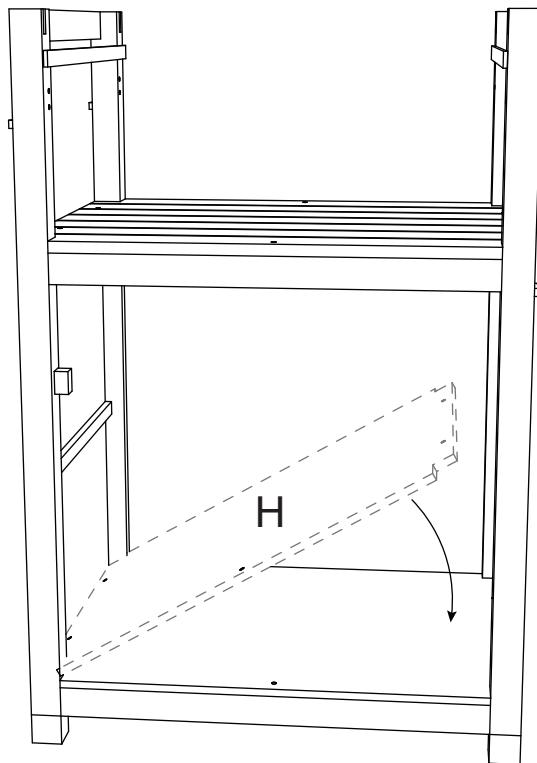
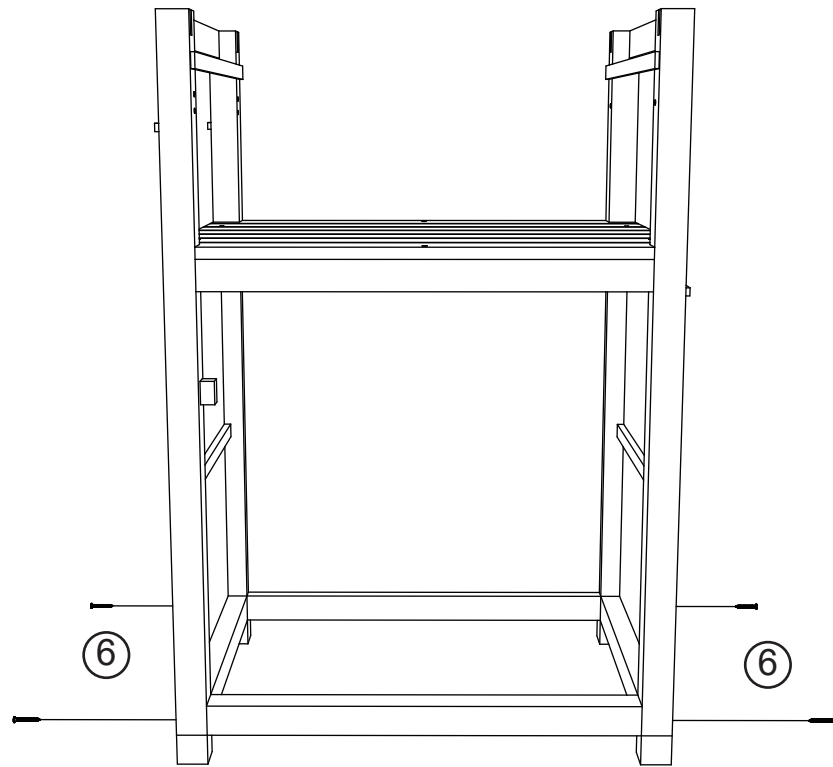
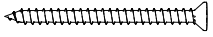


⑩ x 1

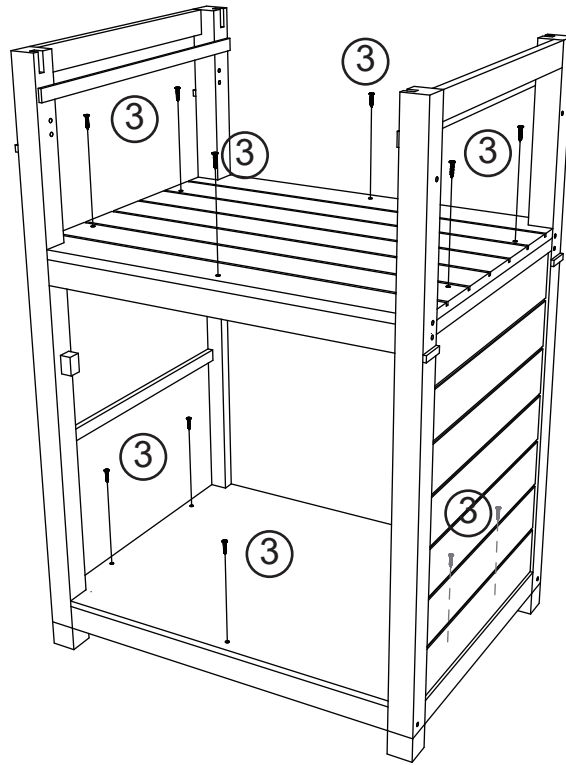
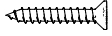




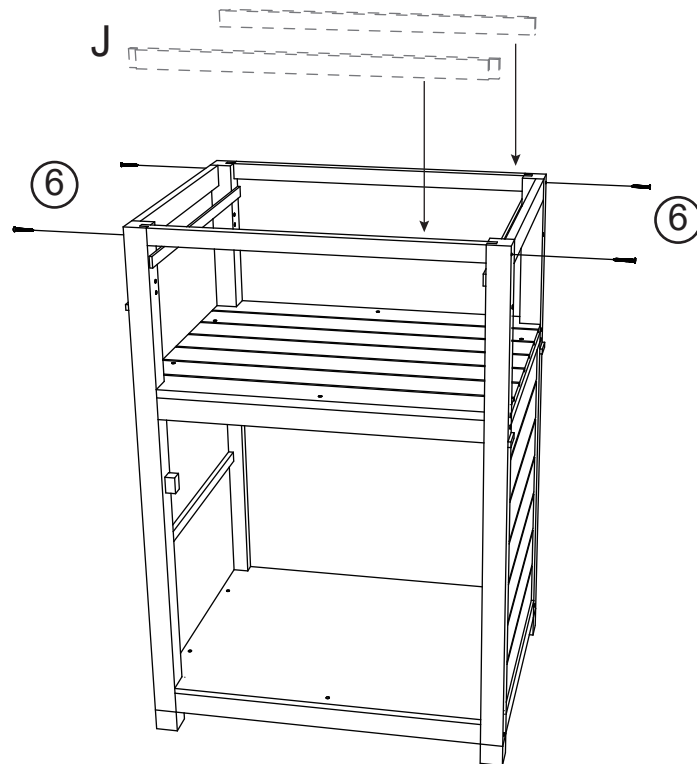
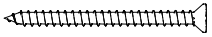
⑥ x 4  
M4\*60



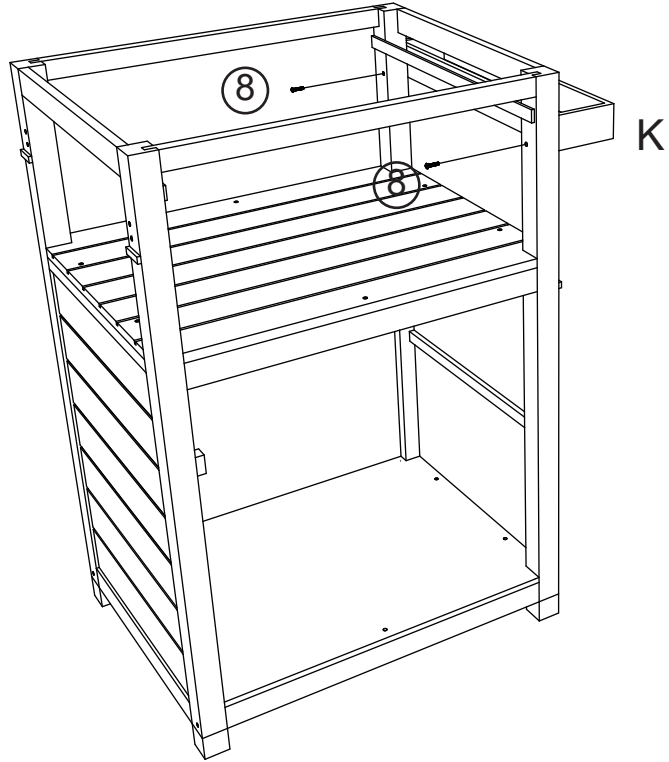
3 x 11  
M4\*20



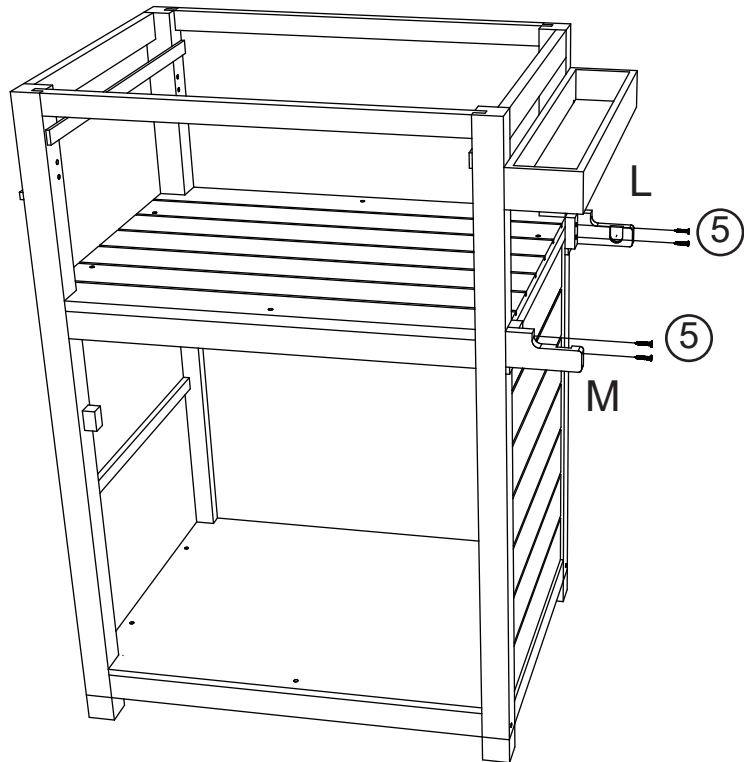
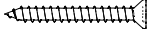
6 x 4  
M4\*60



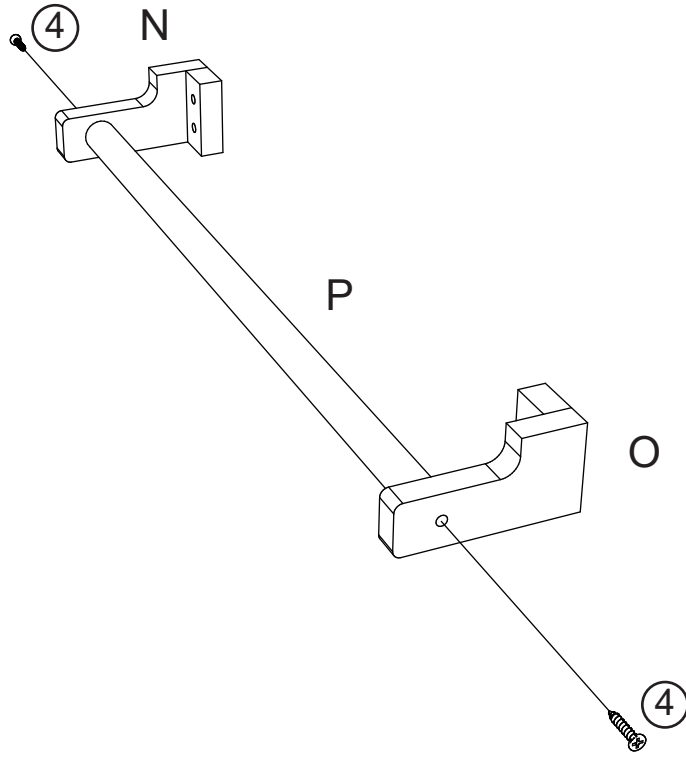
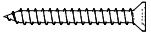
8 x 2  
M6\*45



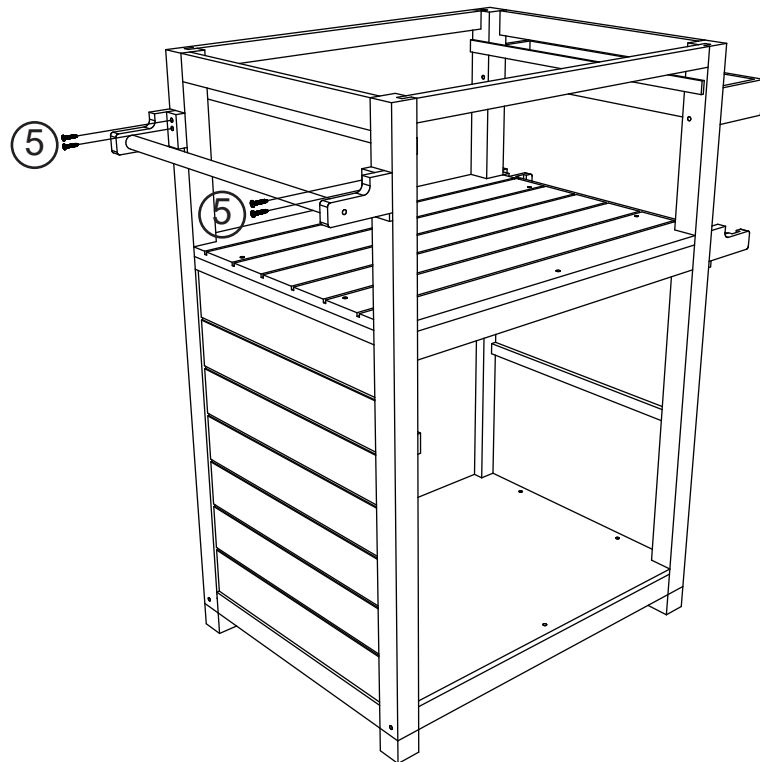
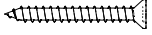
5 x 4  
M4\*35



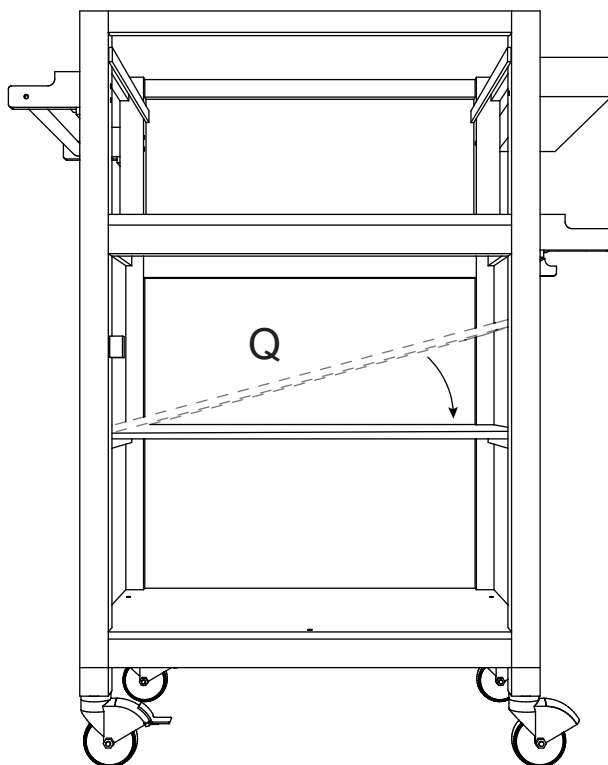
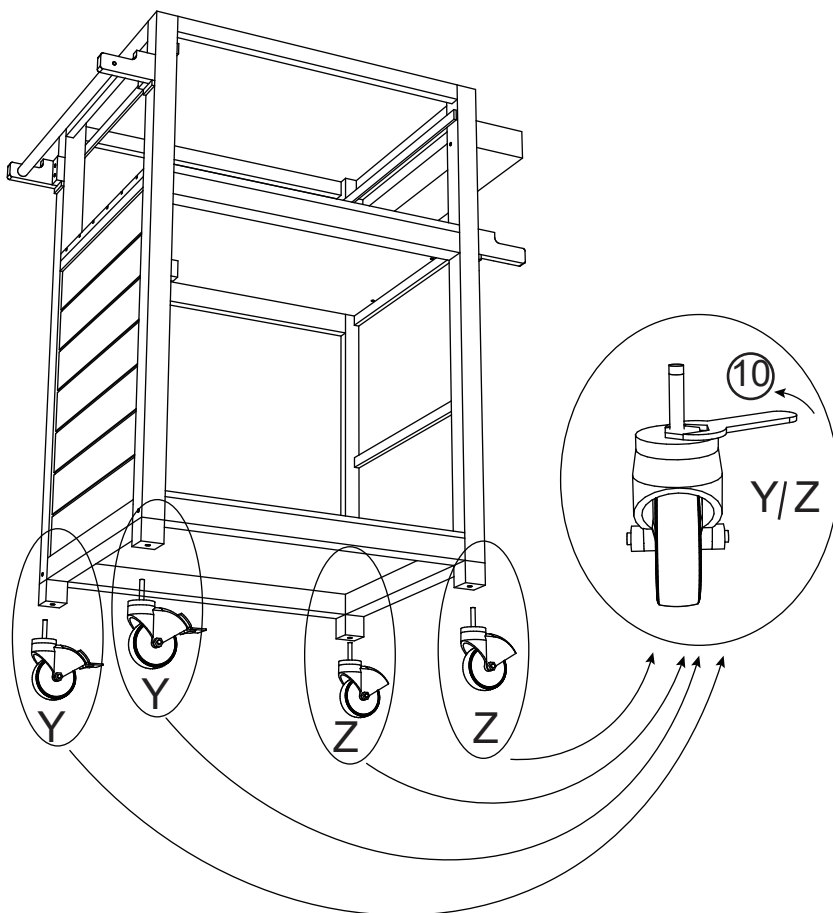
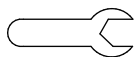
4 x 2  
M4\*30



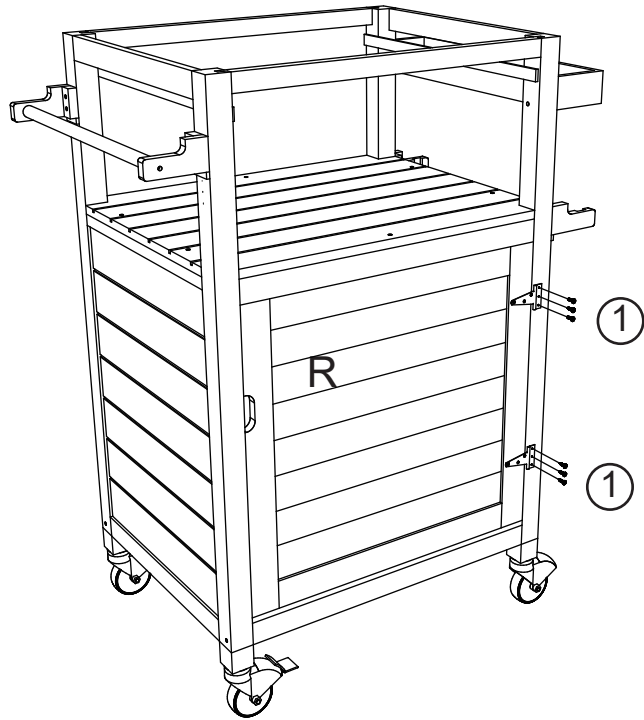
5 x 4  
M4\*35



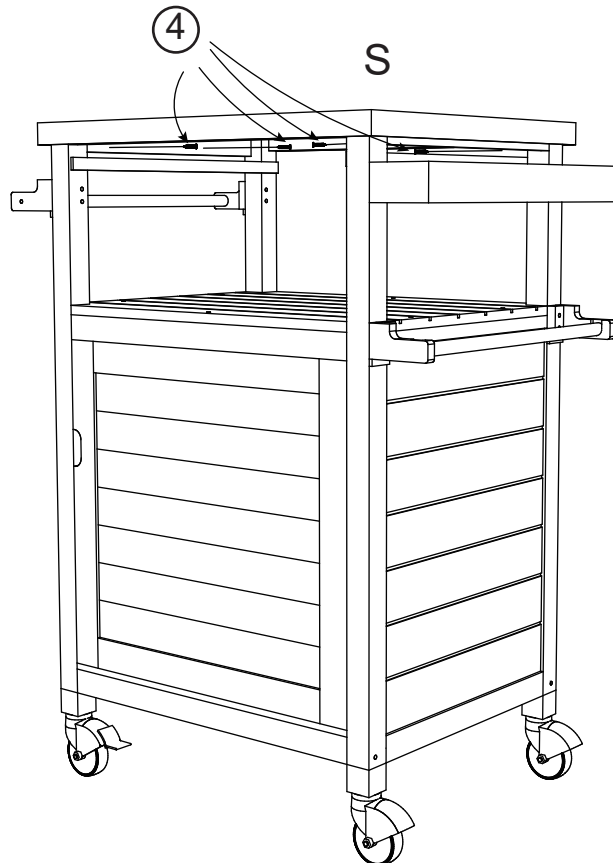
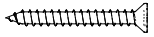
10 x 1



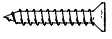
① x 6  
M3\*10



④ x 4  
M4\*30



2 x 8  
M3\*25



7 x 4  
M4\*25

