

ASSEMBLY INSTRUCTIONS



Thank you for purchasing our product!

MAIN PARTS LIST

A Right side panel 	B Left side panel 	C Middle panel 	D Back supports 	E Middle supports
			F Bottom support (upper) 	G Bottom support (lower)
			H Left supports 	I Right supports
J Bottom base (upper) 	L Top panel 		M Cross bars 	N Drawers x6
K Bottom base (lower) 				O Drawer bottoms x6

HARDWARE LIST

PART	QTY	SIZE / DESCRIPTION	ITEM
1	4	M7x40mm	
2	19	M6x40 Bolt (Minifix)	
3	27	Ø15x10mm Cam lock (minifix)	
4	4	M6x63	
5	4	M6 Nut cap	
6	4	M6x48 Double-Bolt (Minifix)	
7	4	Ø8x40mm	
8	6	M4x25mm	
9	12	M6x25	
10	6 Sets	138mm Handle (x6) + M4x10 screws (x12)	

ANTI TIP-OVER HARDWARE

PART	QTY	SIZE / DESCRIPTION	ITEM
13	2	200x25mm Safety strip	
14	2	M4x30mm Wall Anchor	
15	2	M4x60mm	

TOOLS INCLUDED

Combination Allen Key (Hex + Phillips)	
M10/M12 Hex wrench (Spanner)	

TOOLS REQUIRED BUT NOT INCLUDED

Pencil 	Hammer 	Power drill with M4 drill bits
------------	------------	------------------------------------



For Support, Assembly Questions & Replacement Parts Within the 48 Contiguous United States:



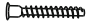
Replacement Parts for International Customers
 RTA Products will replace the part free of charge, while **the customer is responsible for shipping costs plus any International local taxes or duties.**

ASSEMBLY STEPS


WE RECOMMEND TO PLACE THE PIECES OVER BLANKETS OR TABLECLOTHS TO PROTECT THEIR FINISH DURING ASSEMBLY.

STEP 1

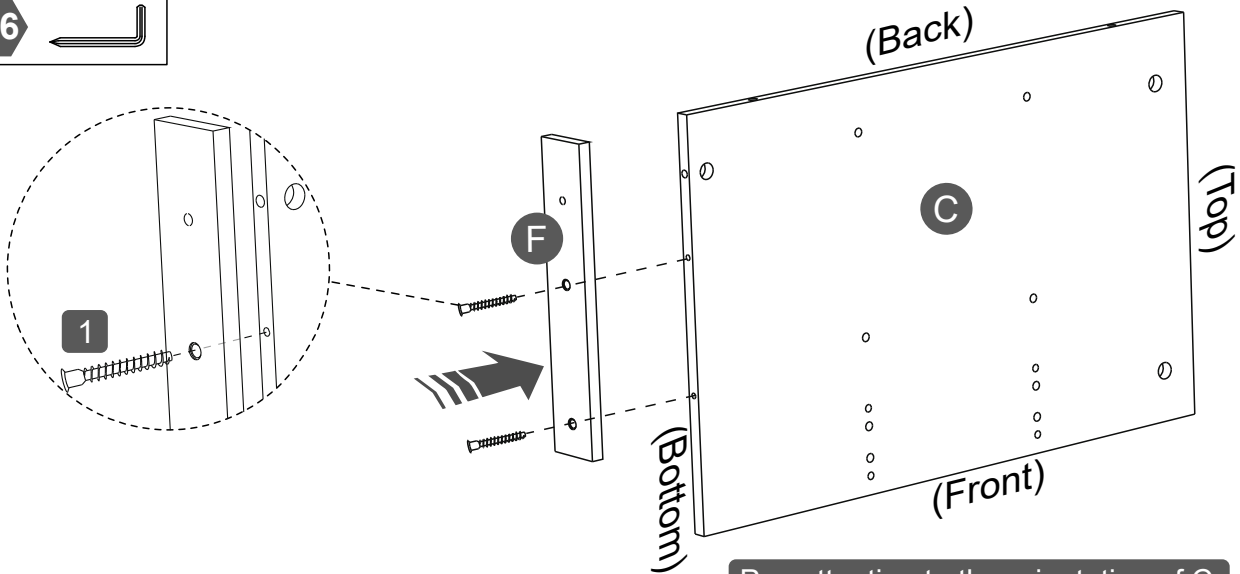
Hardware

1		2
	M7x40mm	Pcs

Tools (included)

M6 

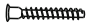
Assemble F to the bottom of C with #1.




Pay attention to the orientation of C.

STEP 2

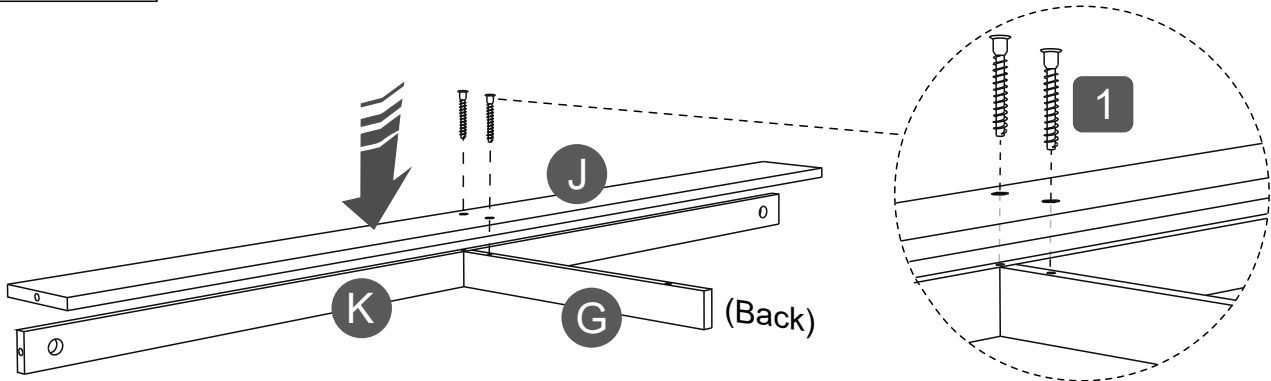
Hardware

1		2
	M7x40mm	Pcs

Tools (included)

M6 


Assemble J to G and K with #1.



ASSEMBLY STEPS

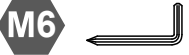
STEP 3

Hardware

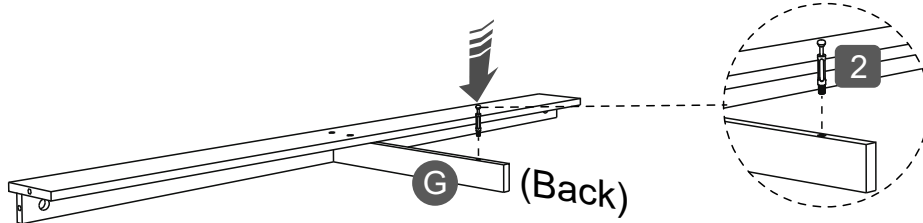
2		1 Pc
	M6x40	

3		1 Pc
	Ø15x10mm	

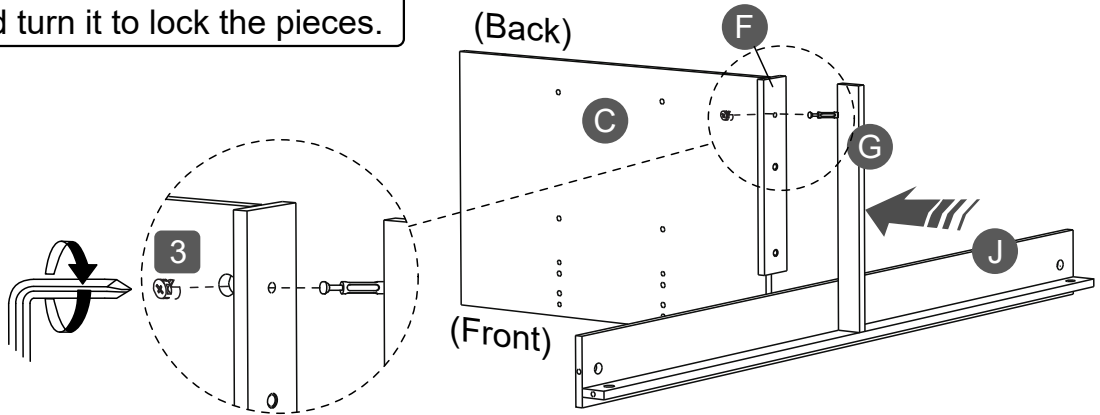
Tools (included)



FIRST: Attach one bolt #2 to G.




THEN: Join G to F, insert #3 into C, and turn it to lock the pieces.



STEP 4

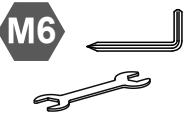
This step requires of 2 people 

Hardware

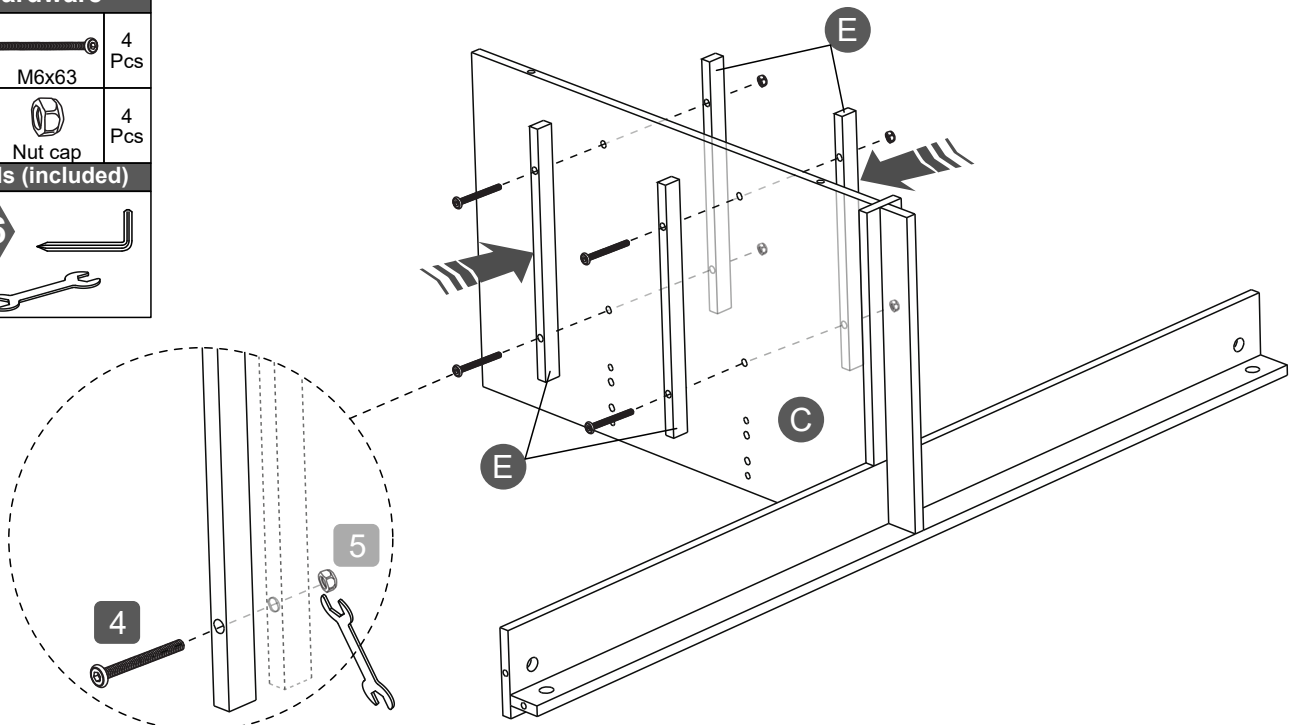
4		4 Pcs
	M6x63	

5		4 Pcs
	Nut cap	


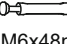
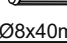

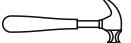
Tools (included)



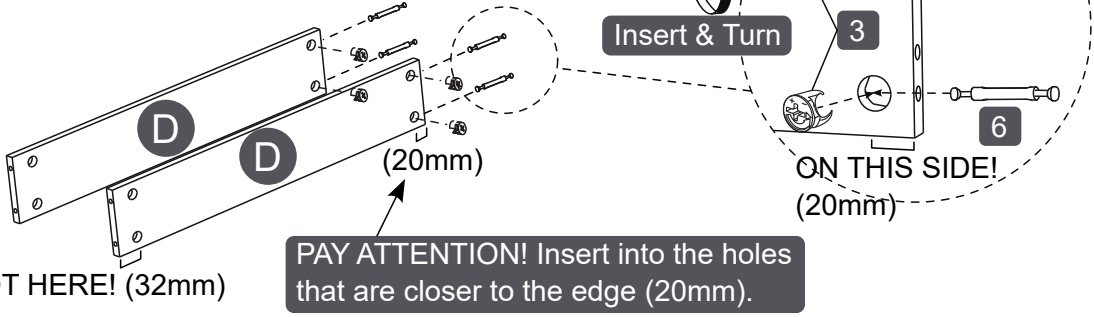
Assemble E to each side of C with #4 and #5. The screws #5 go from one side to the other through E, C, E, and cathes into nut #5.



ASSEMBLY STEPS

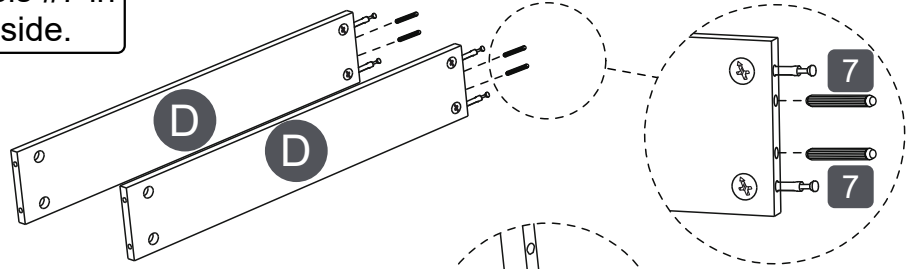
STEP 5		
Hardware		
3	 Ø15x10mm	8 Pcs
6	 M6x48mm	4 Pcs
7	 Ø8x40mm	4 Pcs
Tools (included)		
		
Tools (Not included)		
		

FIRST: Insert the double bolts #6 into the indicated holes on only 2 of the 4 panels D and lock the bolts with #3.

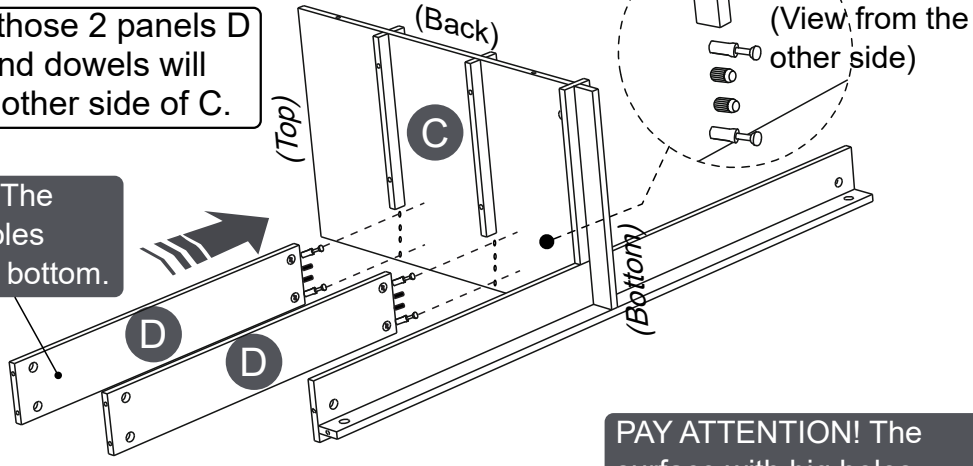


PAY ATTENTION! Insert into the holes that are closer to the edge (20mm).

THEN: Insert the longer dowels #7 in the other holes on that same side.



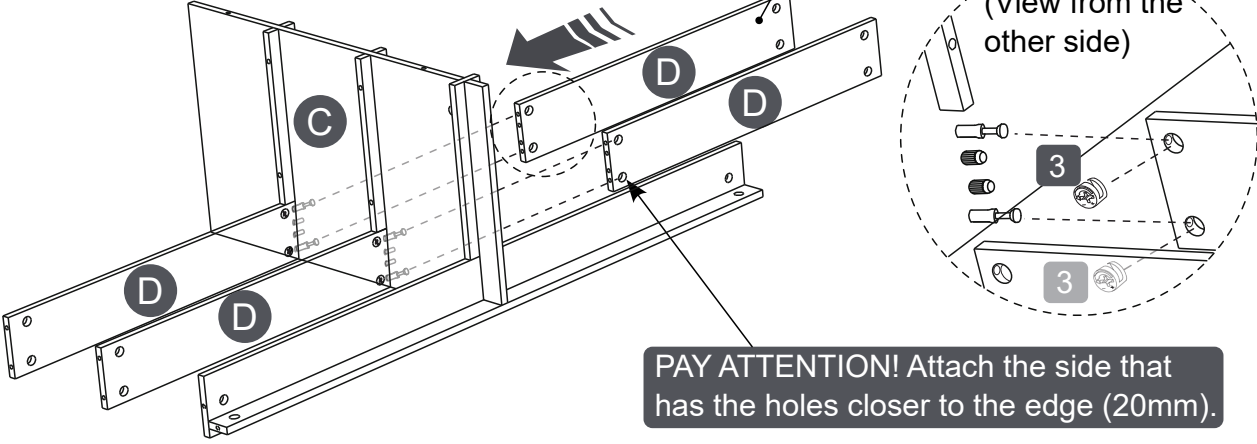
THEN: Connect those 2 panels D to C. The bolts and dowels will come out on the other side of C.



PAY ATTENTION! The surface with big holes facing towards the bottom.




PAY ATTENTION! The surface with big holes facing towards the bottom.

LAST: On the other side of C, connect the other 2 panels D with #3 as shown.



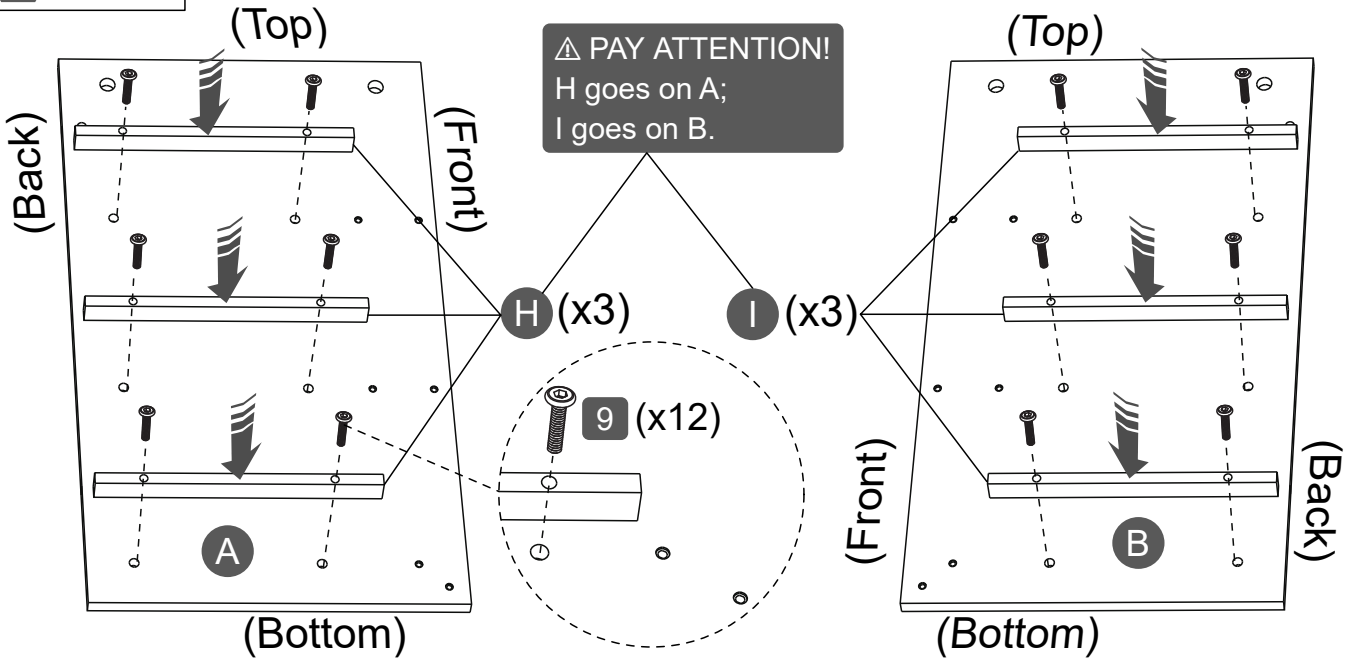
PAY ATTENTION! Attach the side that has the holes closer to the edge (20mm).

ASSEMBLY STEPS

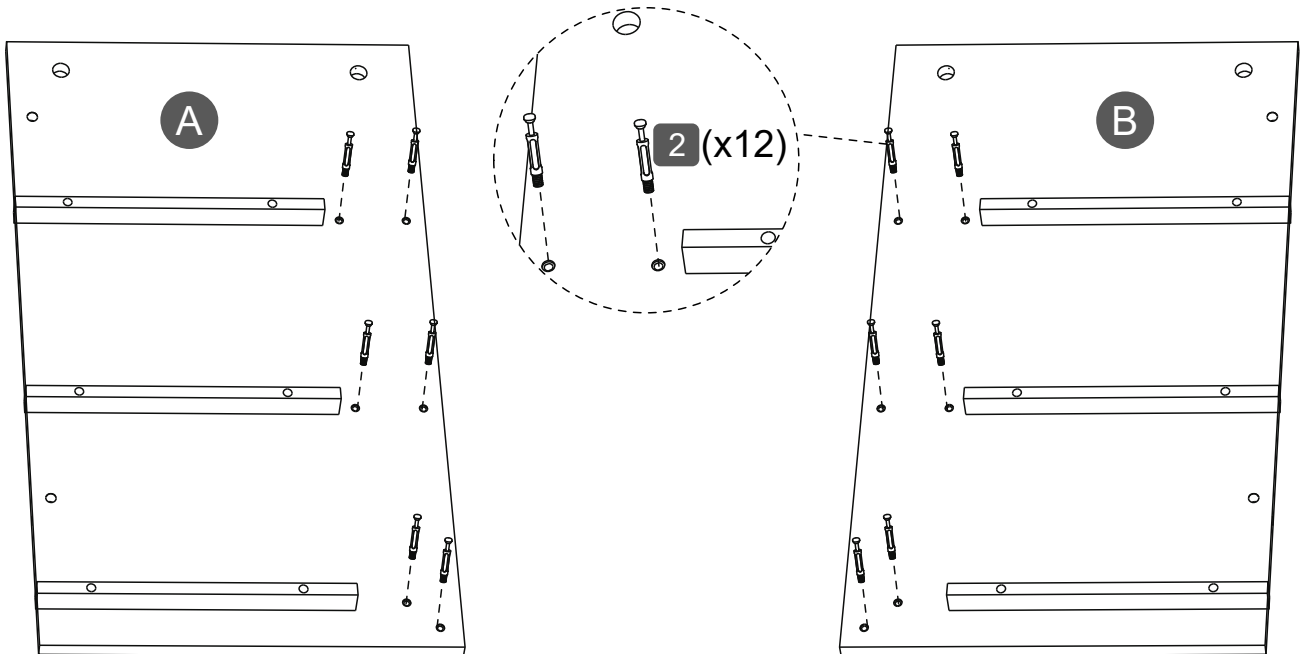
STEP 6		
Hardware		
2		12 Pcs
	M6x40	
9		12 Pcs
	M6x25	
Tools (included)		
M6		

FIRST: Attach H to A with #9.

THEN: Attach I to B with #9.



LAST: Attach #2 to both A and B.



ASSEMBLY STEPS

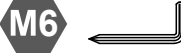
STEP 7

This step requires of 2 people

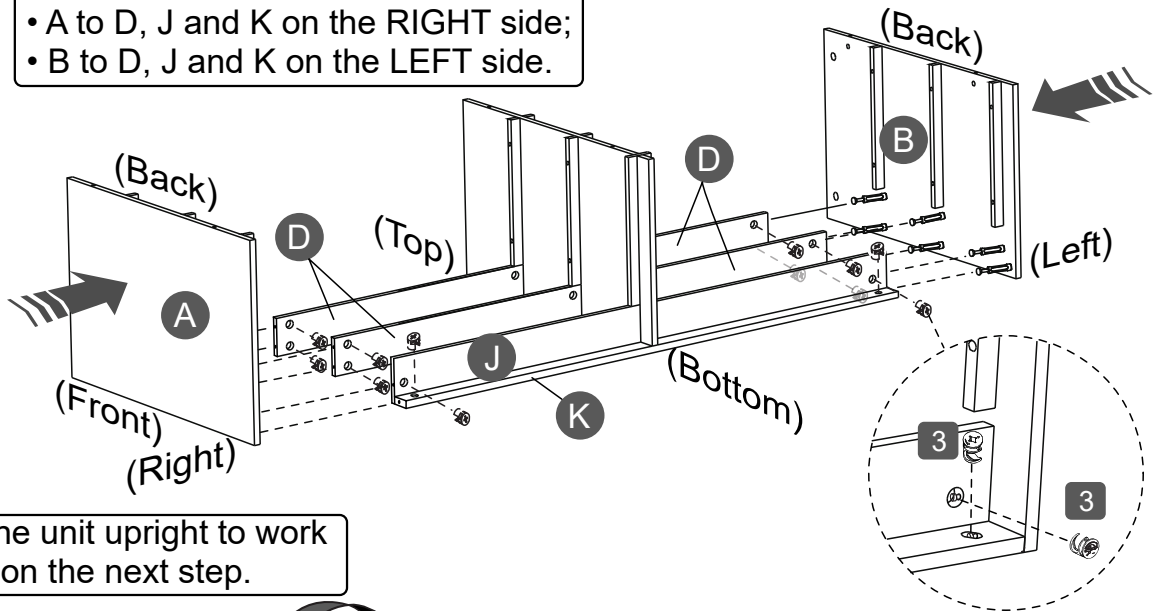
Hardware

3  12 Pcs
Ø15x10mm

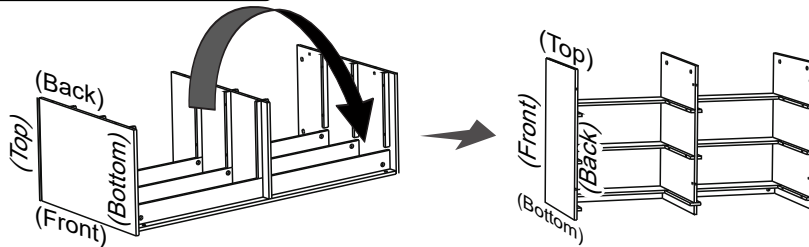
Tools (included)



FIRST: Use #3 to attach:
• A to D, J and K on the RIGHT side;
• B to D, J and K on the LEFT side.




THEN: Flip the unit upright to work from its back on the next step.



STEP 8

This step requires of 2 people

Hardware

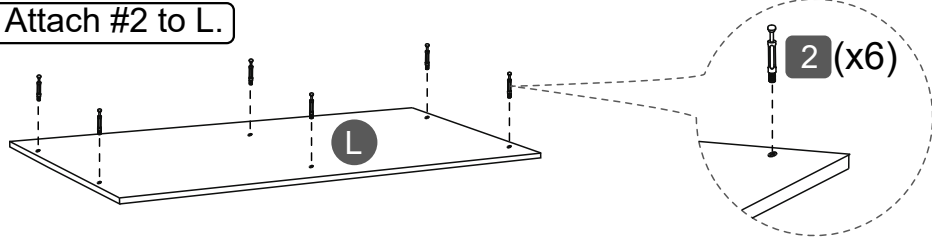
2  6 Pcs
Ø6x40mm

3  6 Pcs
Ø15x10mm

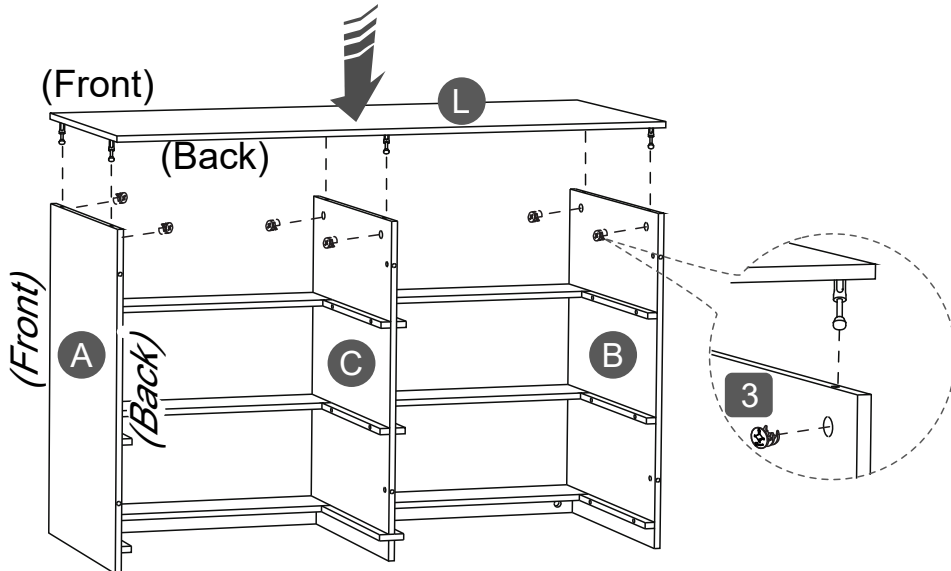
Tools (included)



FIRST: Attach #2 to L.

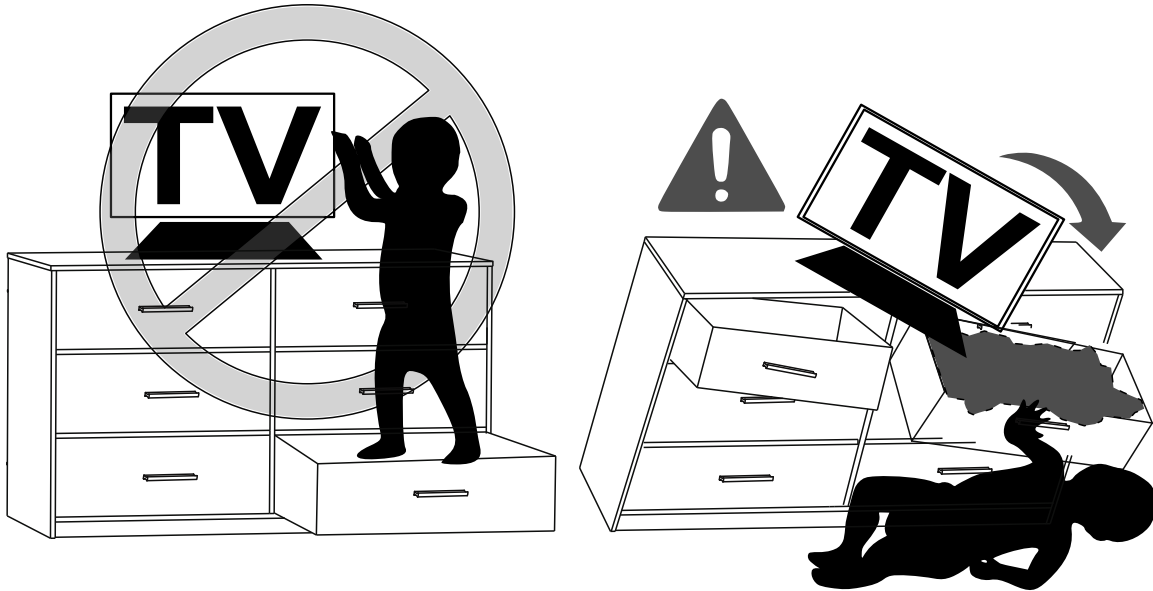


THEN: Attach L to A, B and C with #3.



TIP OVER WARNING!

VERY IMPORTANT - PLEASE READ!





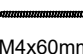
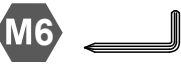

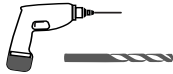
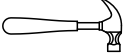


Children have died from furniture tip over. To reduce the risk of tip over:

- Install the anti tipping device that is included with this product.
- Follow the instructions on the next page of this manual for installing the anti tipping device and have the unit secure to a wall.
- NEVER allow children to stand, climb, or hang on drawers, doors or shelves.
- Place heaviest items in the lowest drawers.
- NEVER put a TV on this furniture.

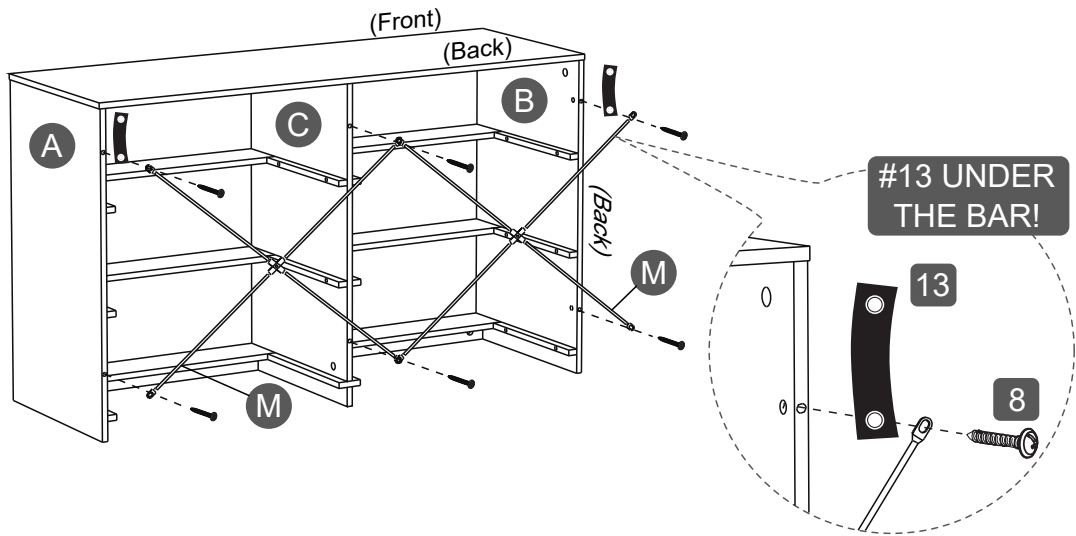
Please continue with the rest of the assembly instructions on the next page. Thank you.

ASSEMBLY STEPS

STEP 9		
This step requires of 2 people 		
Hardware		
8	 M4x25mm	6 Pcs
13	 Safety Strip	2 Pcs
14	 Anchor	2 Pcs
15	 M4x60mm	2 Pcs
Tools (included)		
		
Tools (Not included)		
		
		
		

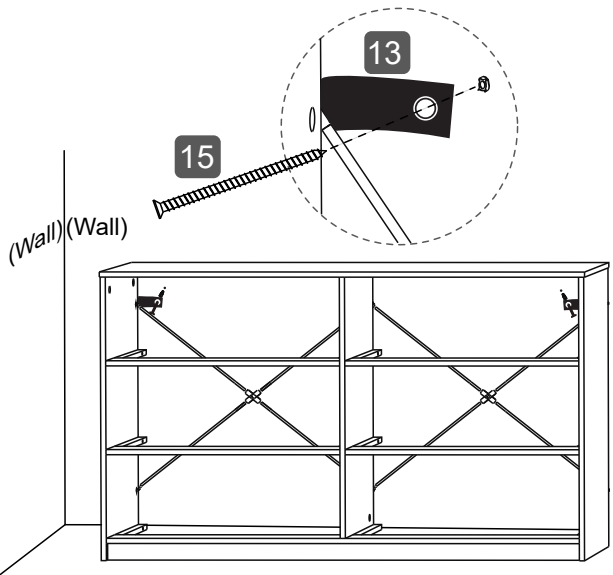
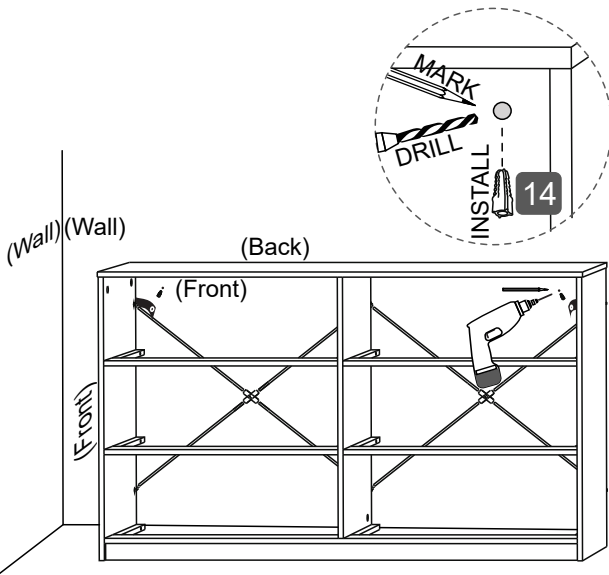
DO NOT SKIP THE INSTALLATION OF THE ANTI TIPPING DEVICE!

FIRST: On the back of the unit, attach the cross bars M to the panels A, B and C with screws #8, with the Safety Strips #13 also installed AT THE TOP AND UNDER the cross bars on A and B.



THEN: Put the unit against the wall where it will stay, and use a driller (not included) to make 2 holes on the wall and insert the anchor #14 for the 2 safety strips.

LAST: Secure the safety strips to the anchors with screws #15.




ASSEMBLY STEPS

STEP 10

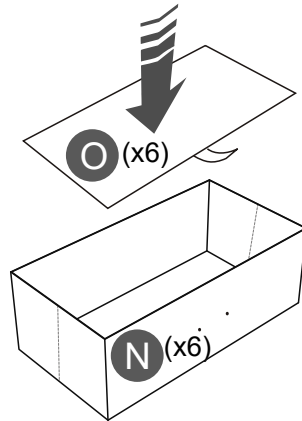
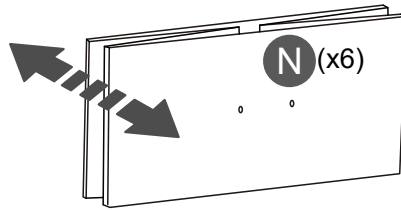
Hardware

10  6 Sets
Handle with 2 screws

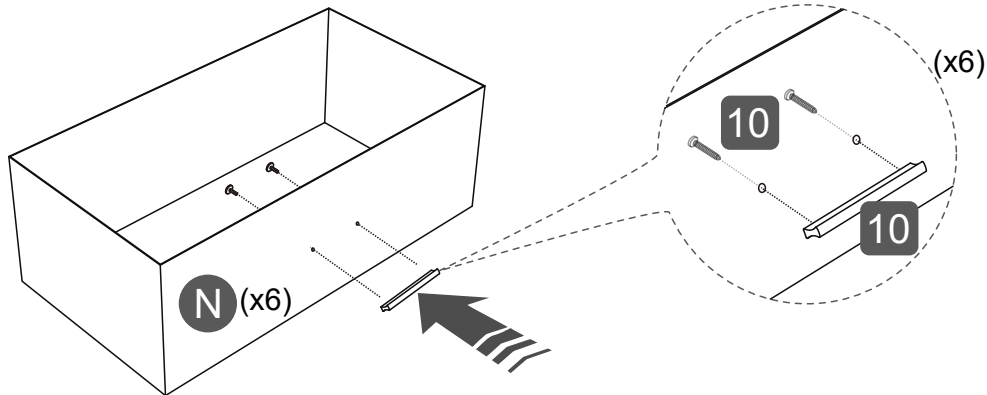
Tools (Included)

M6 

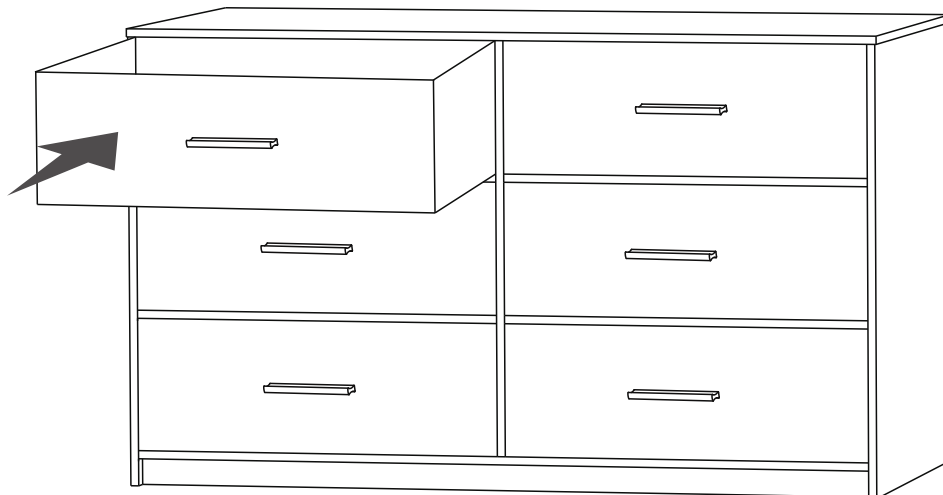
FIRST: Unfold the drawers N and place the bottoms O into each of them.



THEN: Attach the handles #10 to the drawers with their own screws.



FINALLY: Insert the drawers into the unit.

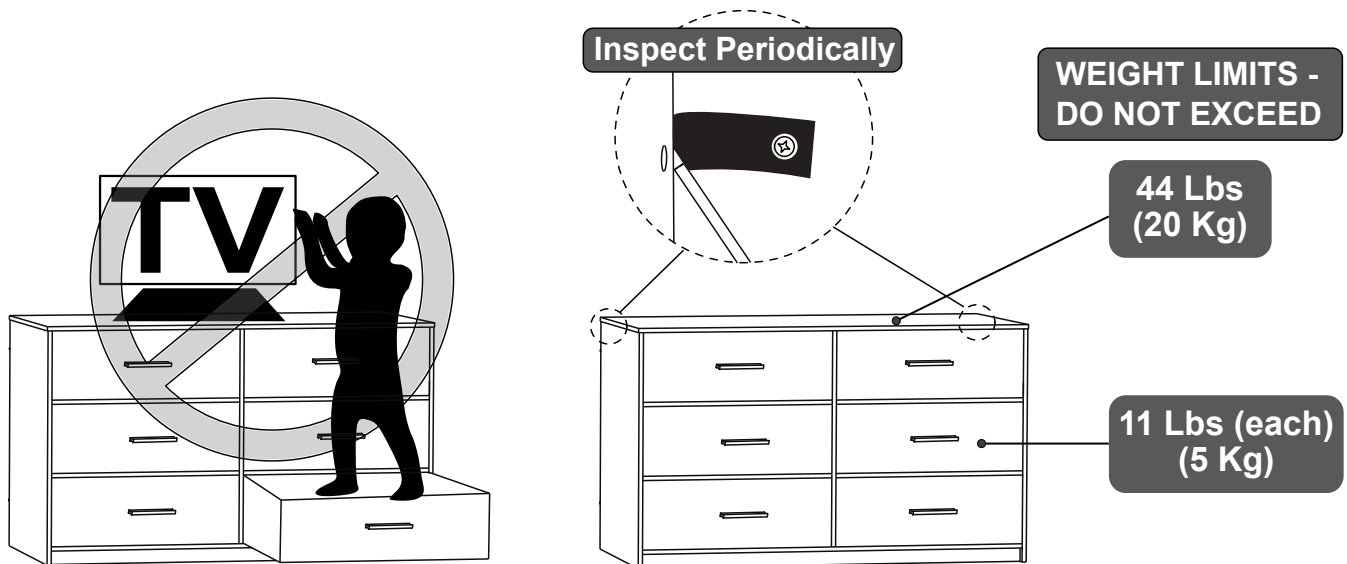


WARNINGS

Not paying attention to the following warnings could result in injuries.

Children have died from furniture tip over. To reduce the risk of tip over:

- Make sure you have installed the anti tipping device that has been included with this product.
- NEVER allow children to stand, climb, or hang on drawers, doors or shelves.
- Place heaviest items in the lowest drawers.
- NEVER put a TV on this furniture.
- Every 4 months, inspect the anti tipping device to make sure it is still secured to both the unit and the wall.
- Do not exceed the indicated weight limits.



CARE AND MAINTENANCE

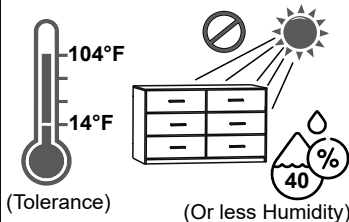
Clean with a cloth lightly dampened in a solution of mild soap and water.



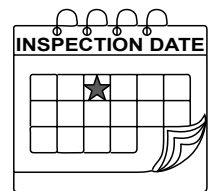
Do not use solvents or abrasive materials.



Do not expose to direct sunlight or extreme environmental conditions.



Inspect and re-tighten loose screws on the unit every 4 months.



LIMITED WARRANTY