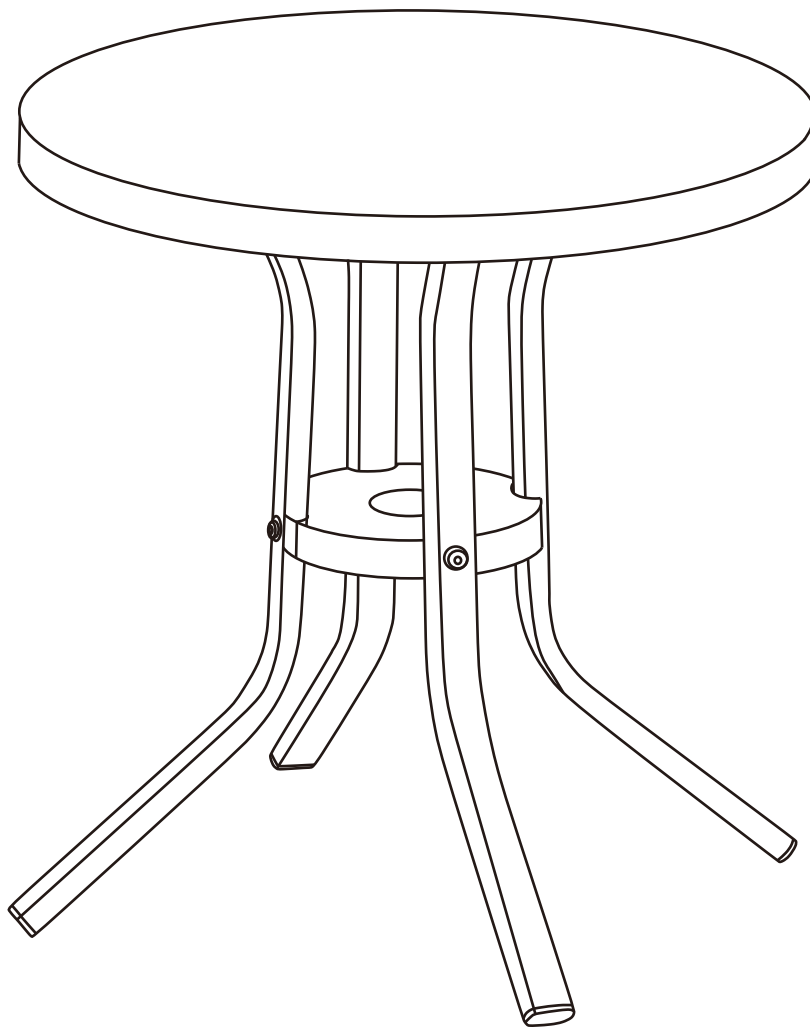

Steel Patio Table



Need help or have any questions? Our Professional Service Team is ready to assist you. Don't hesitate to reach out to us at service@usavingmall.com or call us at **949-866-8000** for any support or further assistance. We are committed to providing excellent service.

User Manual

General Guidelines:

- Please read the following instructions carefully and use the product accordingly.
- Please keep this manual and hand it over when you transfer the product.
- This summary may not include every detail of all variations and considered steps. Please contact us when further information and help are needed.
- Any questions, please contact our customer service.

Notes:

- Personal injury and/or damage to the product may occur if the product is used outside of its intended purposes and/or if the product has been changed/modified from its original design.
- The product must be assembled and used in accordance with the provisions of the manual. The seller does not assume any responsibility or liability with respect to any damage caused by incorrect assembly or improper use.
- Carefully check accessories when opening the package. If anything is missing or damaged, please contact us immediately.
- Please do not force or overtighten screws. If any screw gets stuck, unscrew it and start again. After setup, fully tighten screws.
- Please keep all the packaging - we cannot accept any returned item without the original packaging.
- Please ensure that you have sufficient space to assemble the item.
- Do not tighten all the screws before ensuring the item is properly aligned.

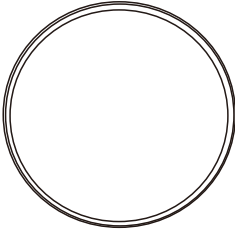






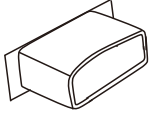
Warnings:

- Keep children away when assembling the product. Small parts included in the package can be fatal if swallowed or inhaled.
- To avoid potential dangers of suffocation, please keep all parts and packaging (film plastic bags, foam, etc.) away from babies and children.
- Tighten all components securely before use. Failure to do so may result in personal injury.

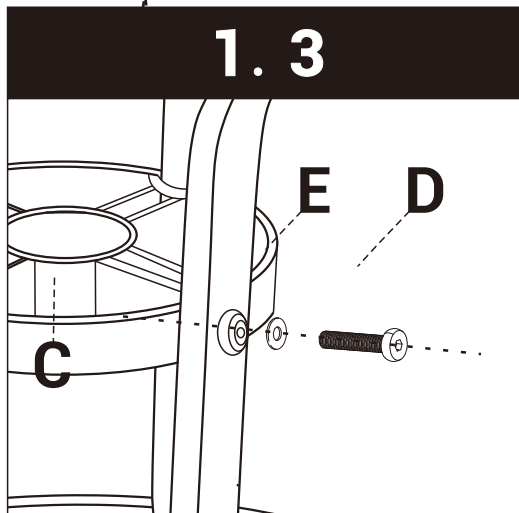
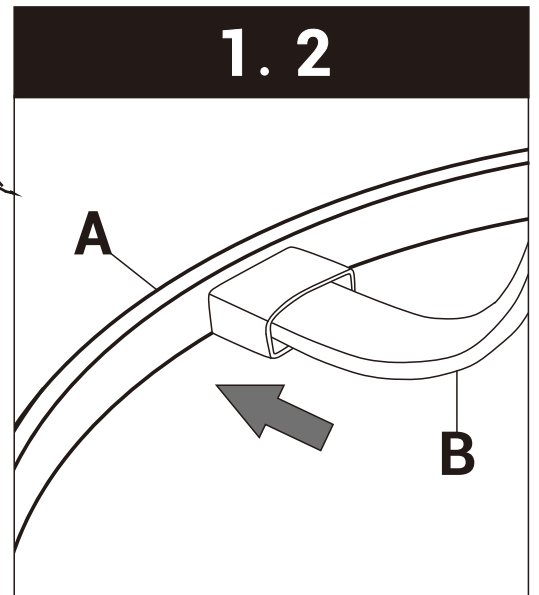
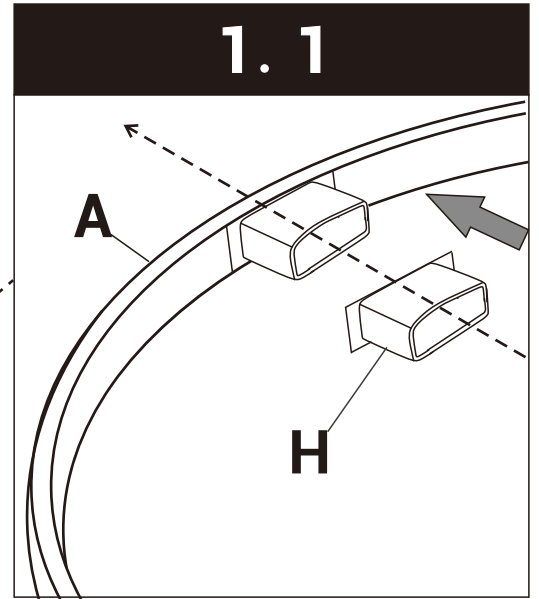
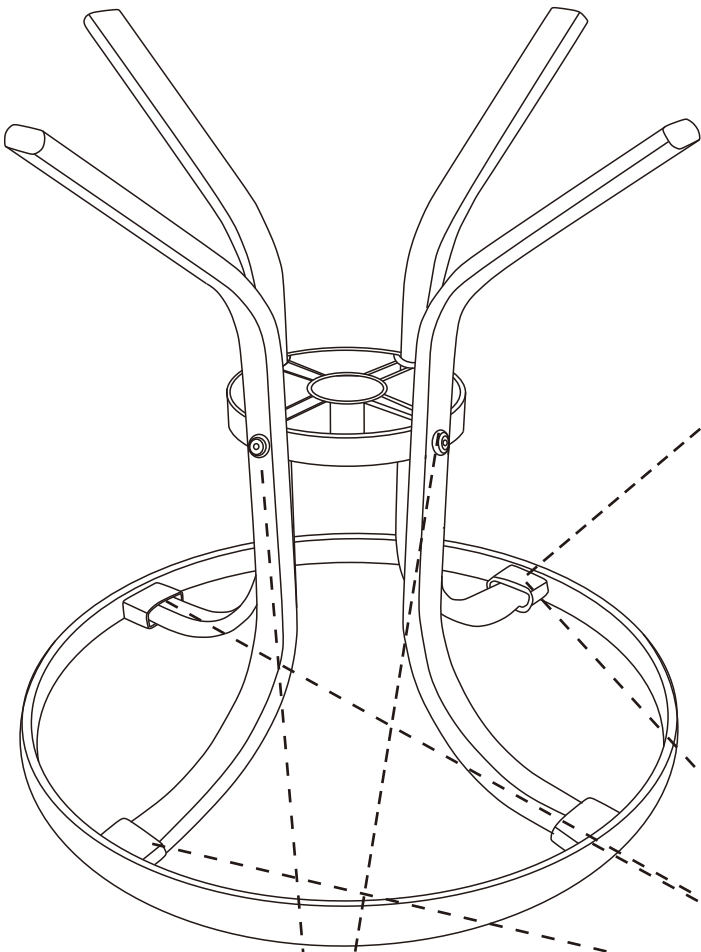
Daily Maintenance:

- Store the table indoors or cover it well when not in use.
- Inspect the table regularly for any signs of wear, loose parts, or damage. Repair or replace any damaged components promptly to ensure continued safe use.
- To remove any stubborn stains, use a solution of mild soap and water, along with a soft brush or sponge. Rinse thoroughly and dry the tabletop completely after cleaning.

PART

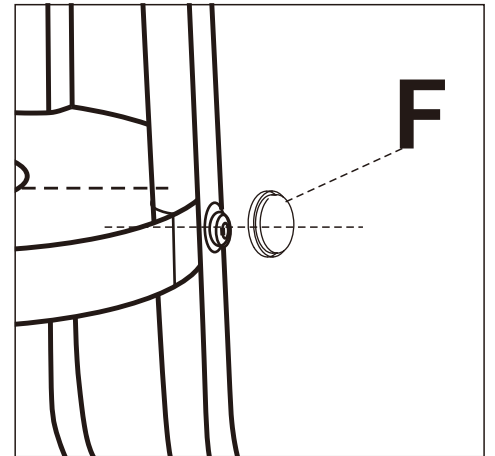
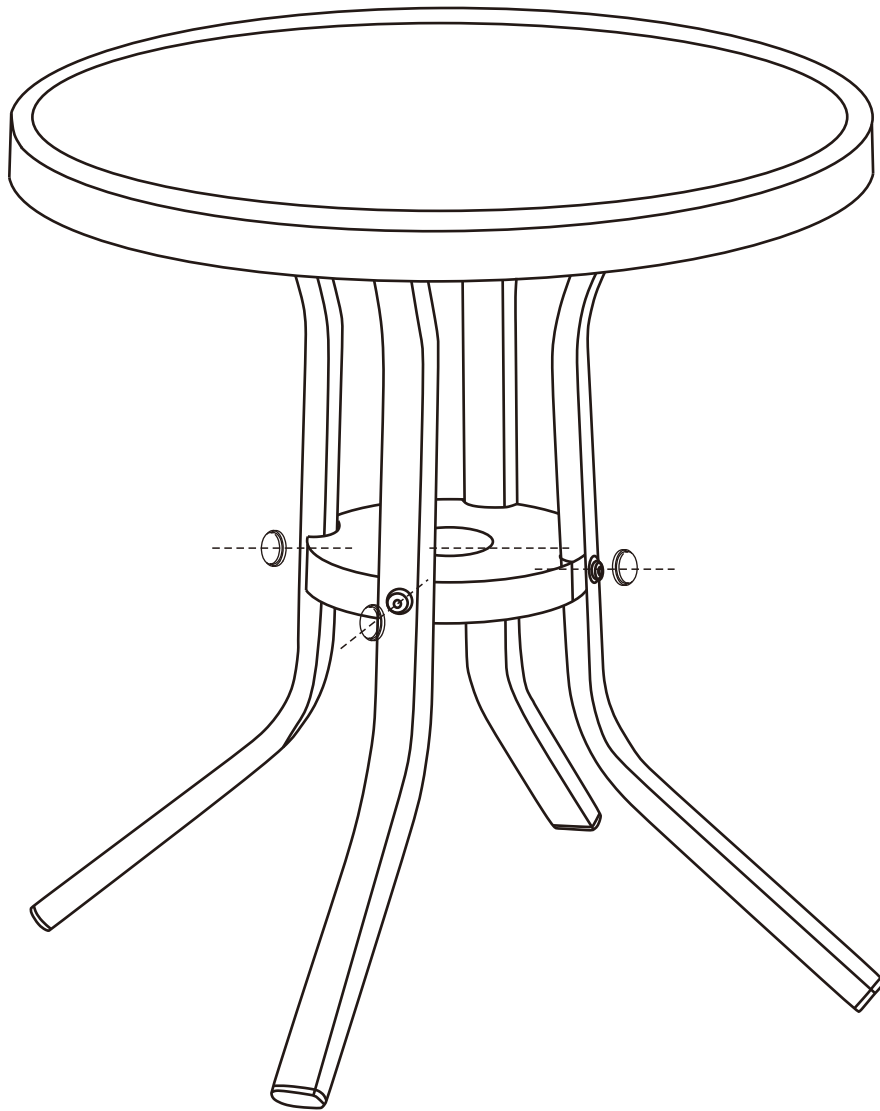
A  Table Top X1	B  Table Leg X4	C  Plastic Connector X1
D  M6X30mm X4	E  Washer X4	F  Protective Cap X4
G  Allen Key X1	H  Plastic Connector X4	

1



Caution: Wait to tighten screws until assembly is complete for better alignment and stability.

2



TIPS: After fully tightening the screws, place a protective cap over each screw to prevent erosion from natural elements.