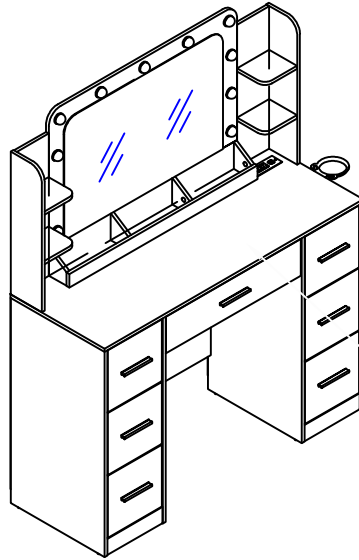
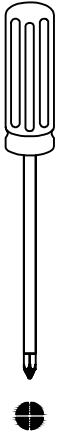
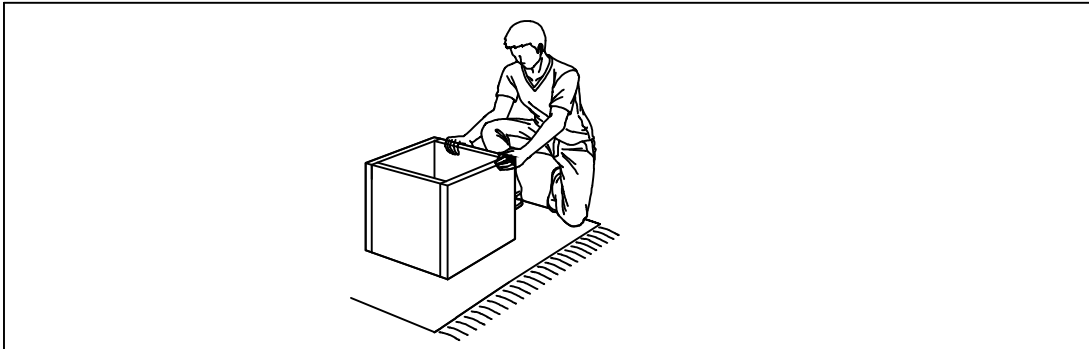


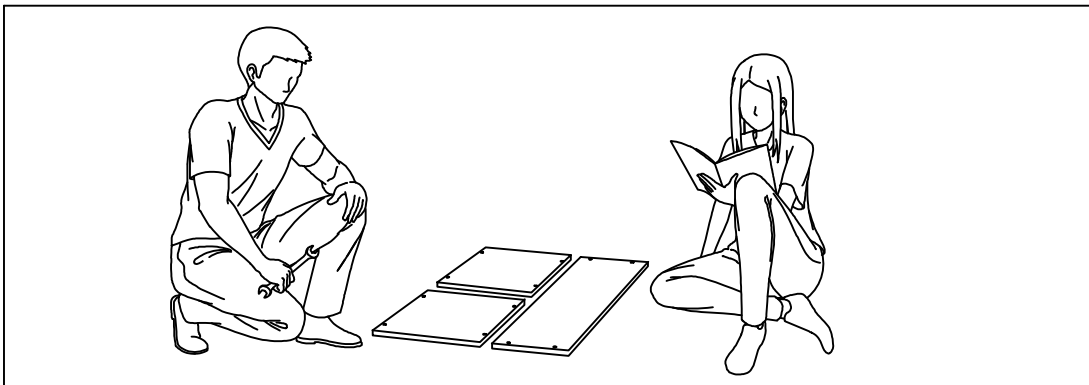
WARNING!



MAXIUM LOAD
220lb/100kg



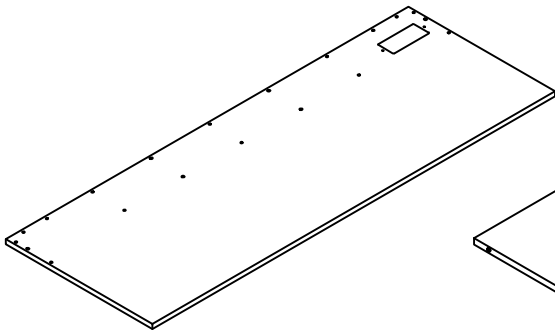
Assembly the furniture on empty carton, carpet, or rug to prevent scratches or damage.



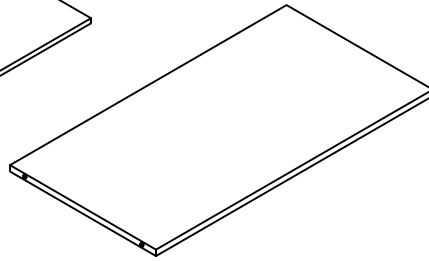
This furniture requires 2 people to assembly.
Make sure no parts are missing or damaged before assembly.

BOARD IDENTIFICATION

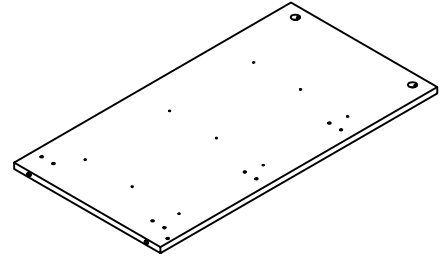
Not actual size



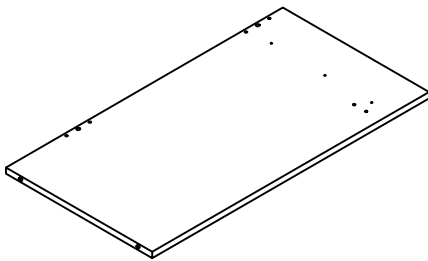
① X1



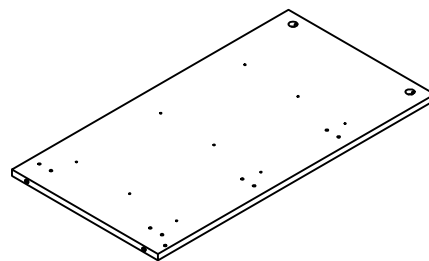
② X1



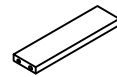
③ X1



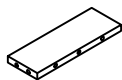
④ X1



⑤ X1



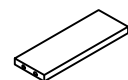
⑥ X4



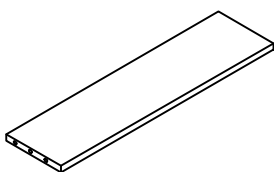
⑦ X2



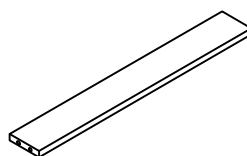
⑧ X2



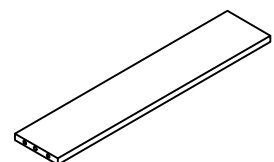
⑨ X2



⑩ X1



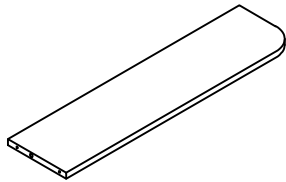
⑪ X1



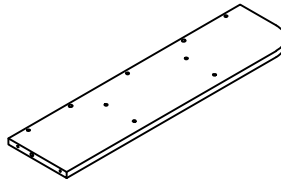
⑫ X1

BOARD IDENTIFICATION

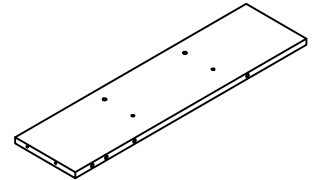
Not actual size



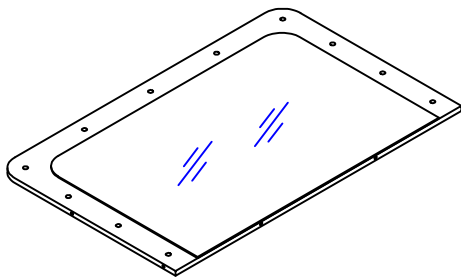
⑬ X1



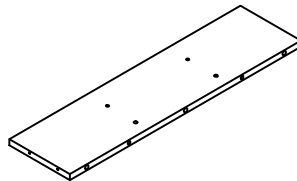
⑭ X1



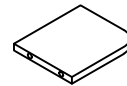
⑮ X1



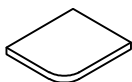
⑯ X1



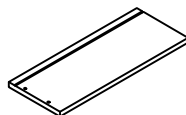
⑰ X1



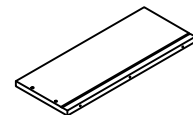
⑱ X2



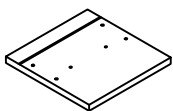
⑲ X2



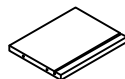
⑳ X6



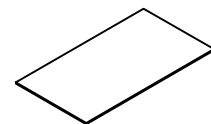
㉑ X6



㉒ X6



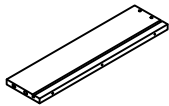
㉓ X6



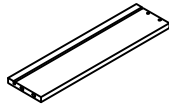
㉔ X6

BOARD IDENTIFICATION

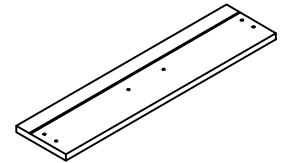
Not actual size



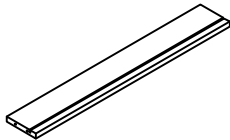
②⑤ X1



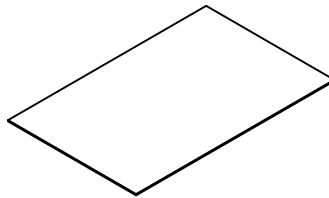
②⑥ X1



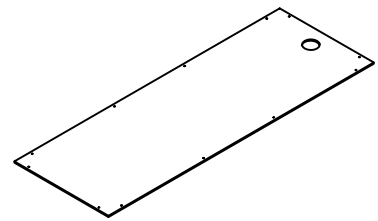
②⑦ X1



②⑧ X1



②⑨ X1



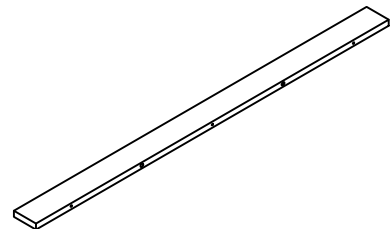
③⑩ X2



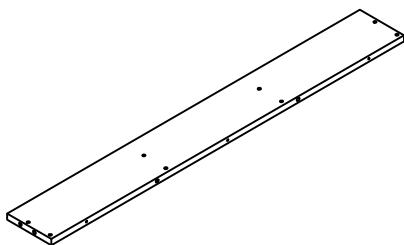
③① X2



③② X2

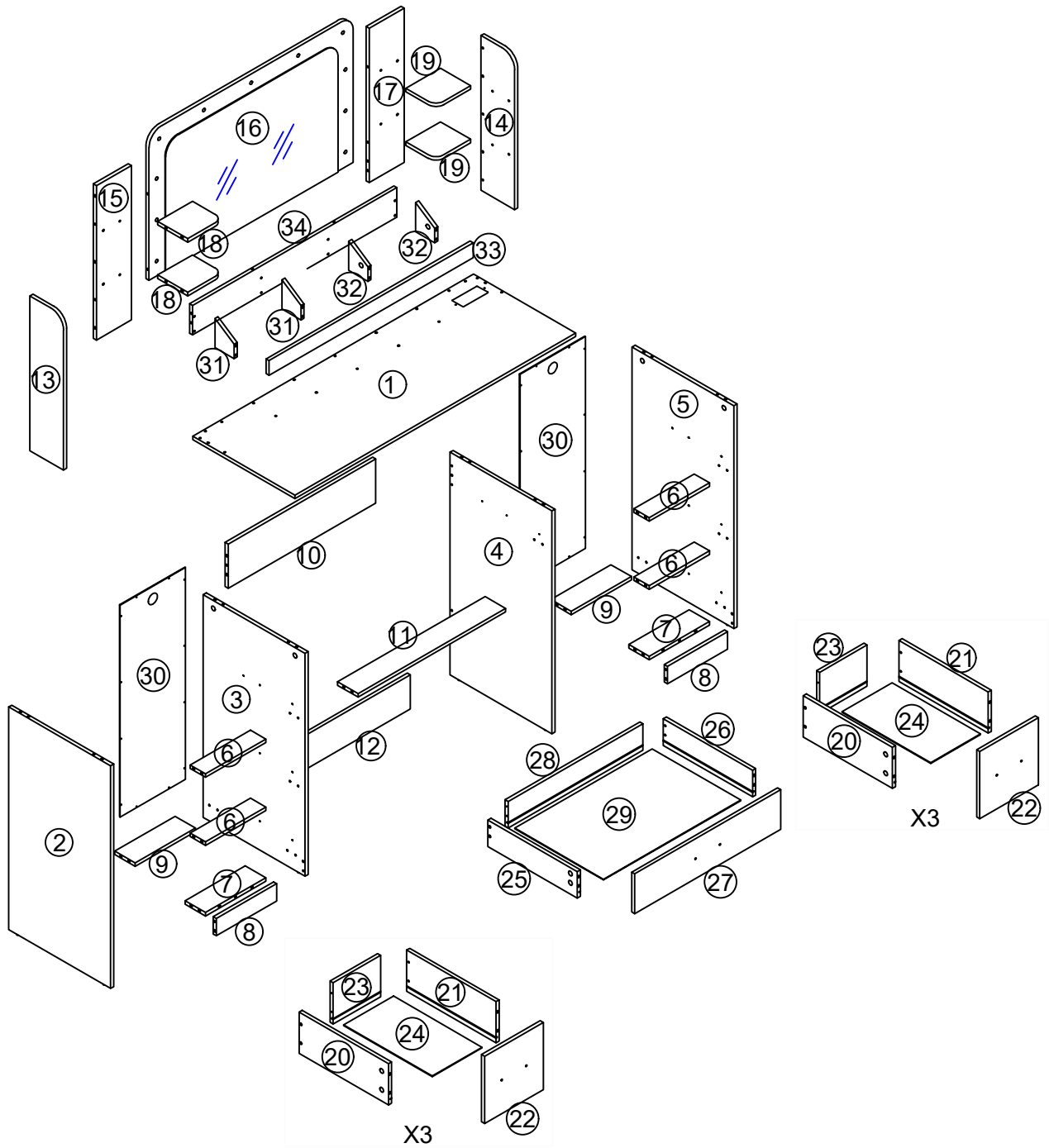


③③ X1



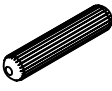
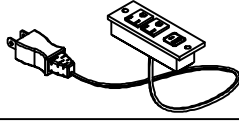



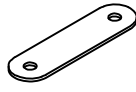
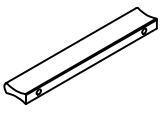

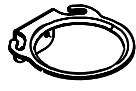
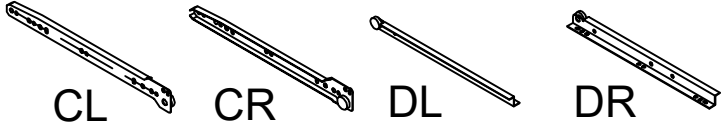
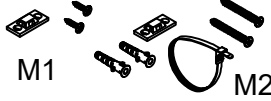
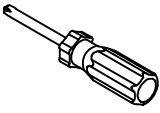



③④ X1

PACKAGE CONTENT

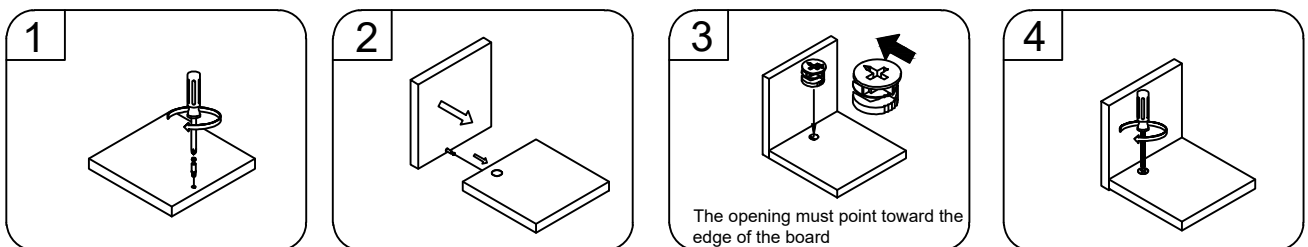


HARDWARE PART LIST


<p>(A) X108+4</p>  <p>Ø6x34</p>	<p>(B) X108+4</p>  <p>Ø15x9.5</p>	<p>(C) X44+2</p>  <p>Ø6x30</p>	<p>(D) X1</p> 
<p>(E) X104+4</p>  <p>Ø3.5x12</p>	<p>(F) X50+2</p>  <p>Ø4x35</p>	<p>(G) X26+2</p>  <p>Ø3.5x14</p>	<p>(H) X9</p>  <p>45x15x1</p>
<p>(I) X7</p>  <p>Ø106x16x8</p>	<p>(J) X14</p>  <p>5/32"x16</p>	<p>(K) X1</p>  <p>109x99*38,5</p>	
<p>(L) X7</p>  <p>CL CR DL DR</p> <p>L=350</p>			
<p>(M) X1SET</p>  <p>M1 M2</p>	<p>(N) X1</p> 	<p>(O) X11+1</p> 	

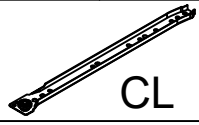
Cam Lock Fastening System

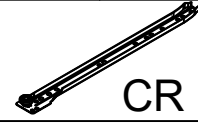
Insert the cam bolt into the hole first, then insert the cam lock and lock it.

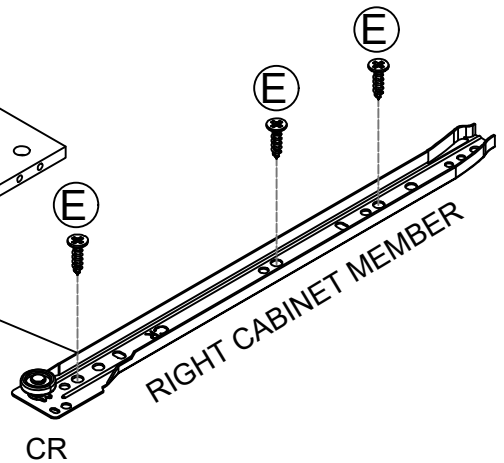
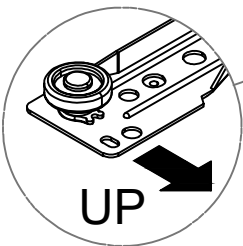
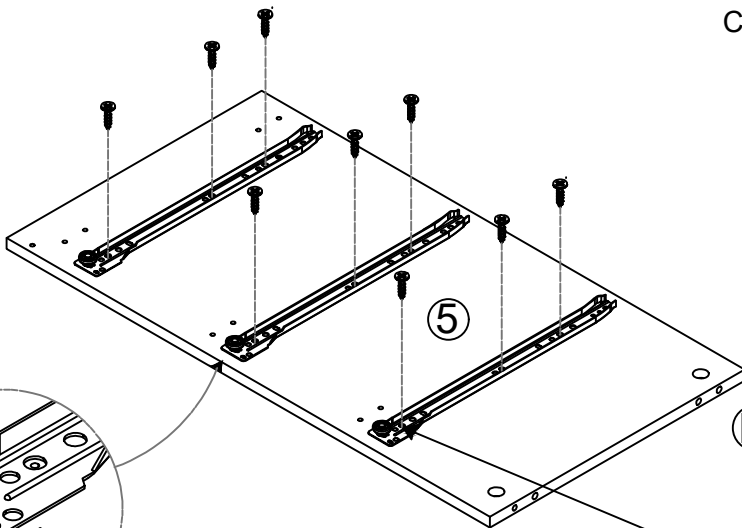
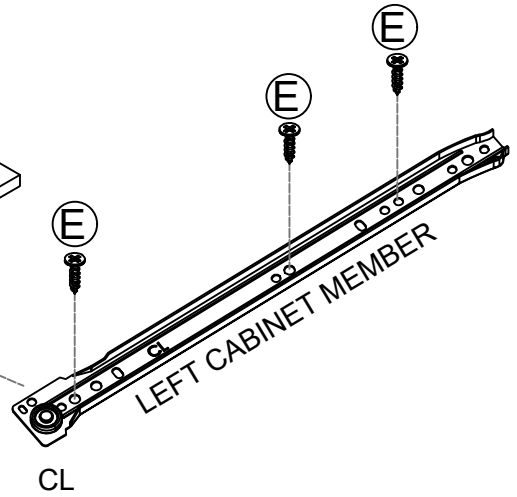
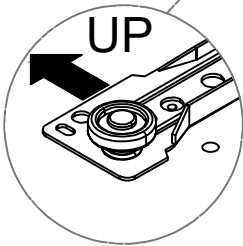
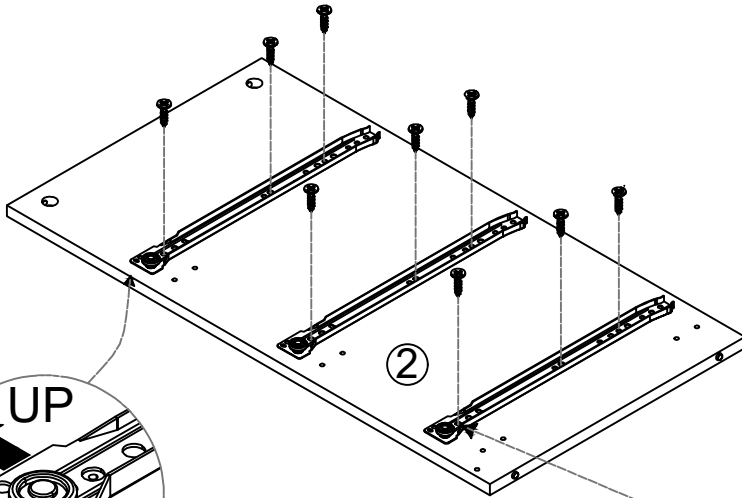
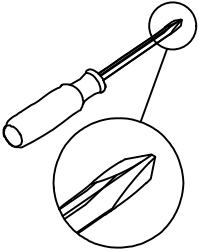


STEP 1


(E)	X18
	
Ø3.5x12	

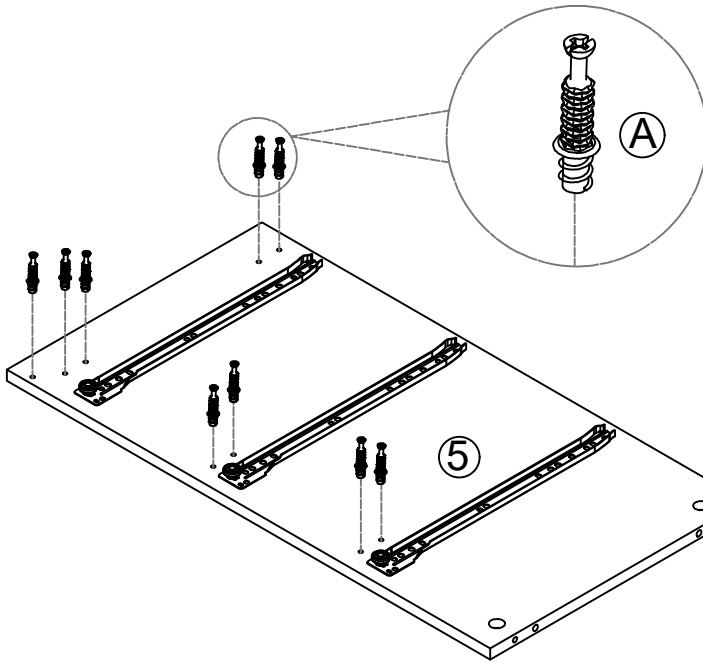
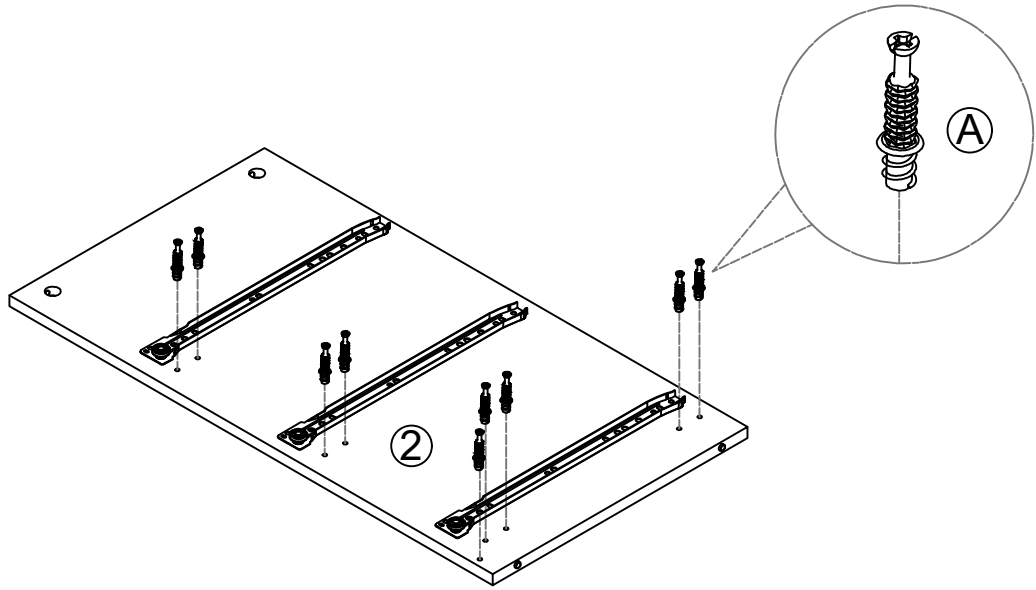
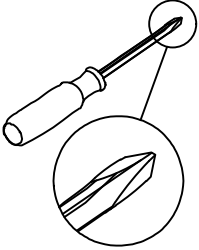
(L)	X3
	
CL L=350	

(L)	X3
	
CR L=350	




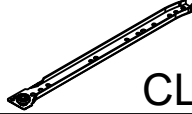
STEP 2

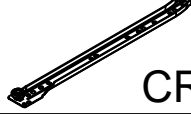
(A)	X18
	
Ø6x34	

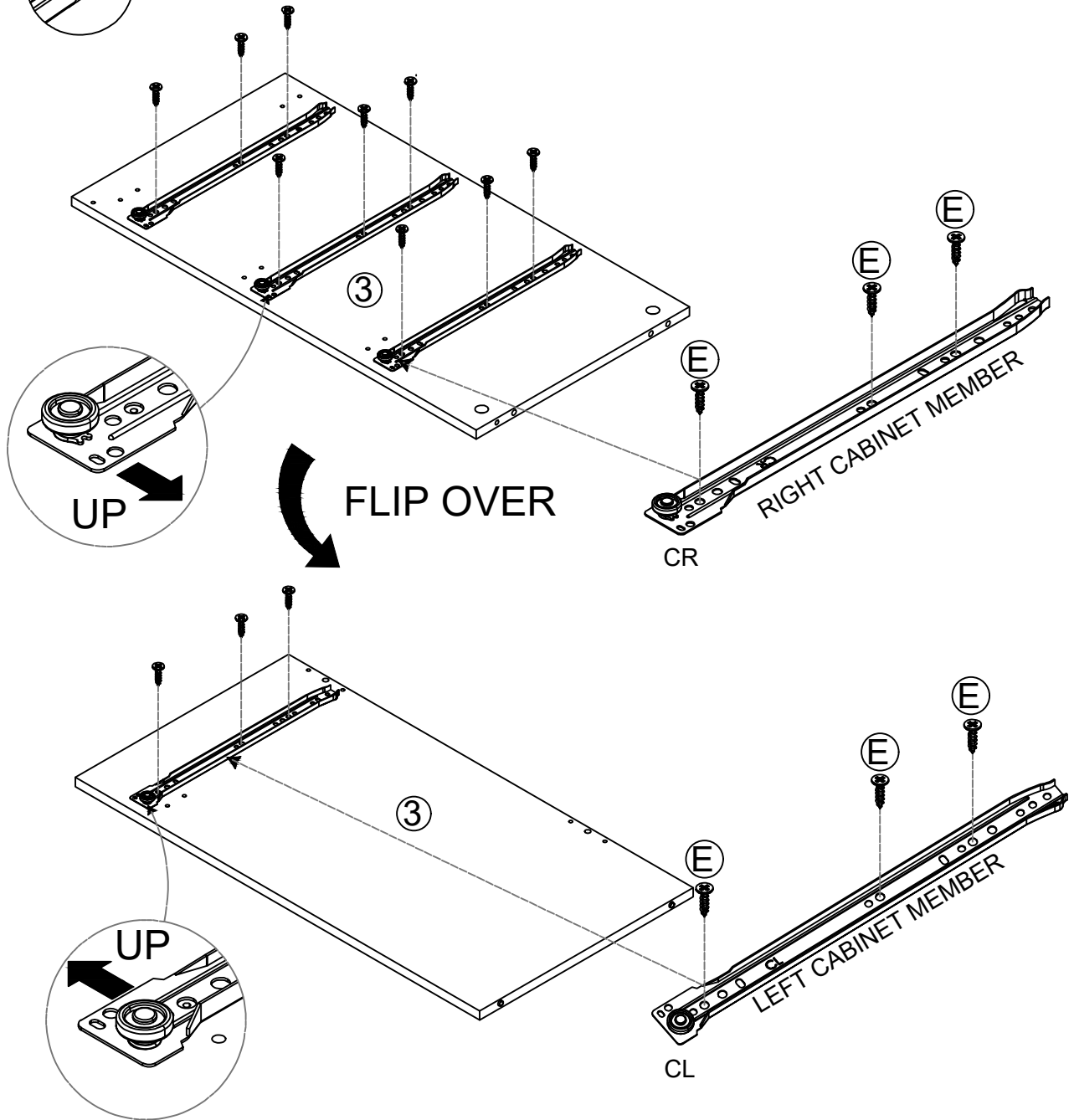
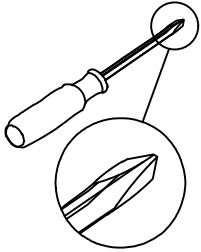


STEP 3


(E)	X12
	
Ø3.5x12	

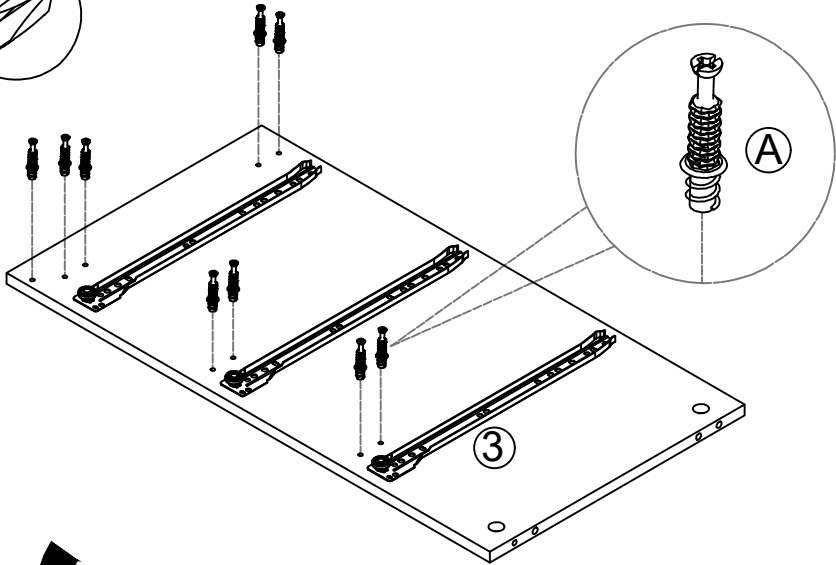
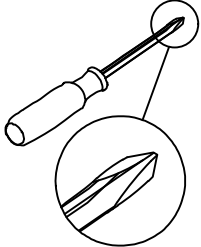
(L)	X1
	
CL L=350	

(L)	X3
	
CR L=350	

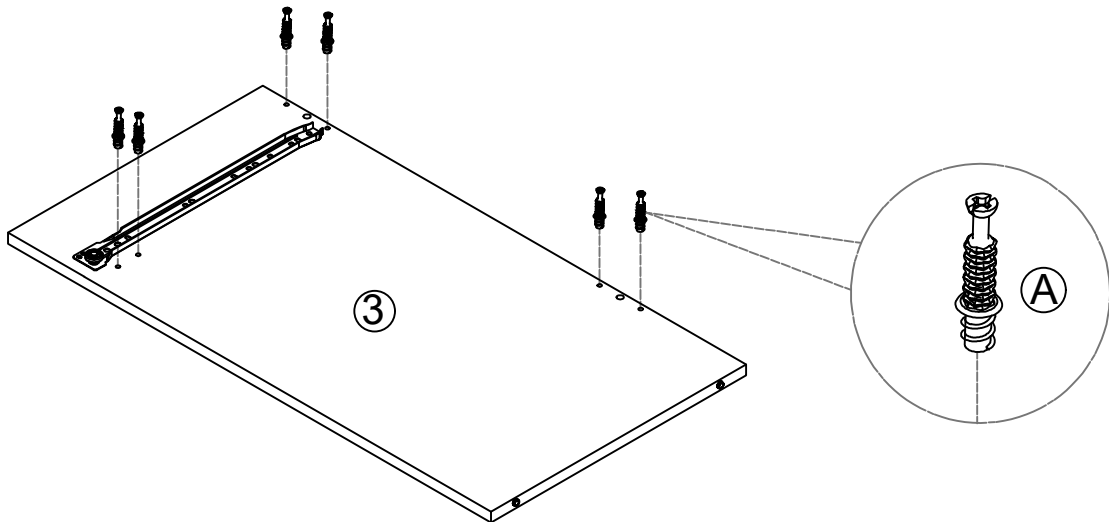


STEP 4


(A)	X15
	
Ø6x34	

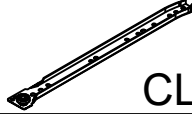


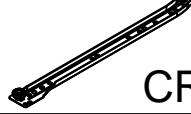
 FLIP OVER

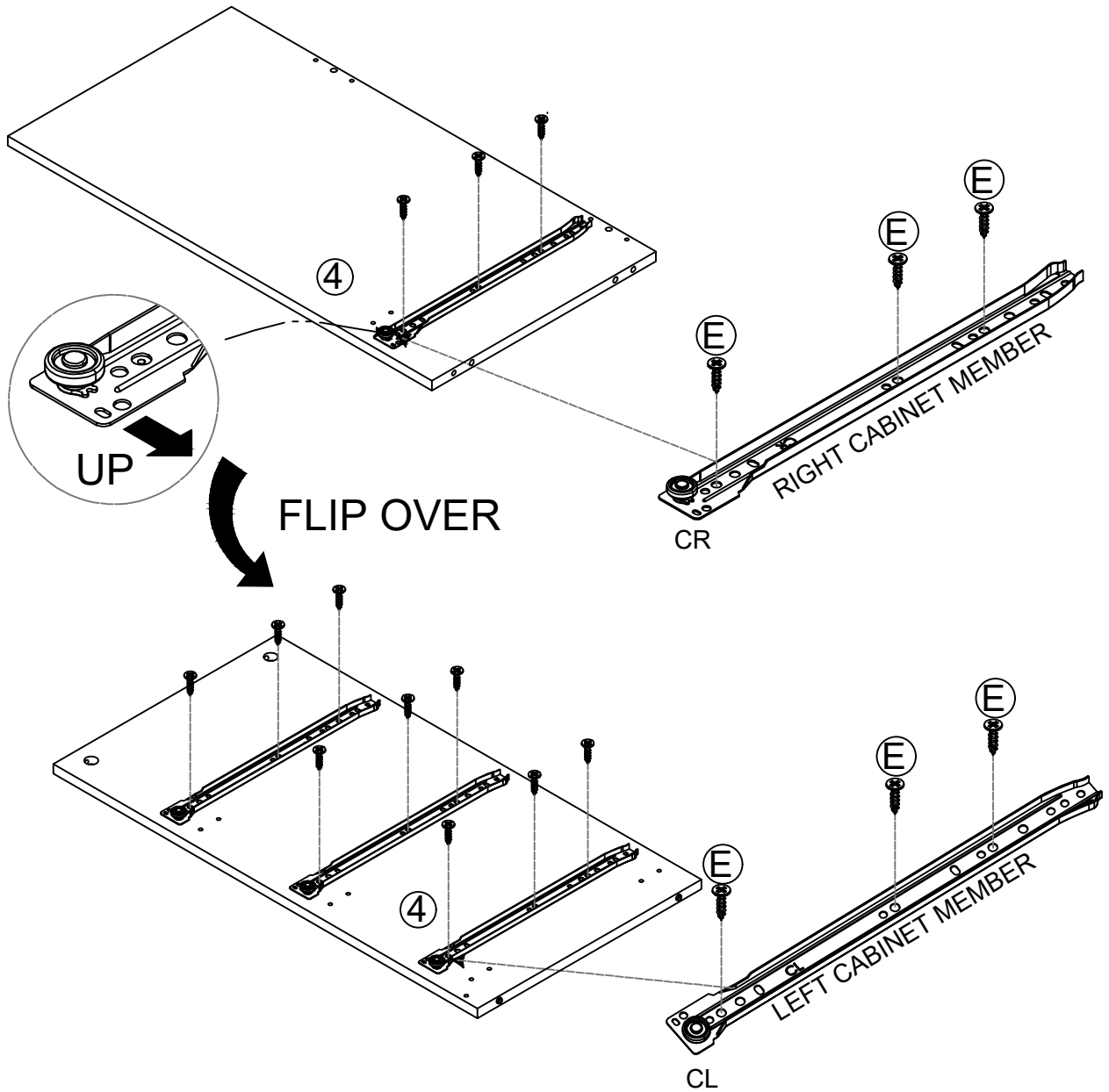
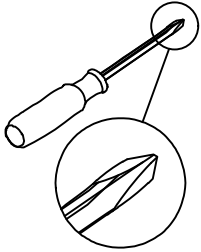


STEP 5

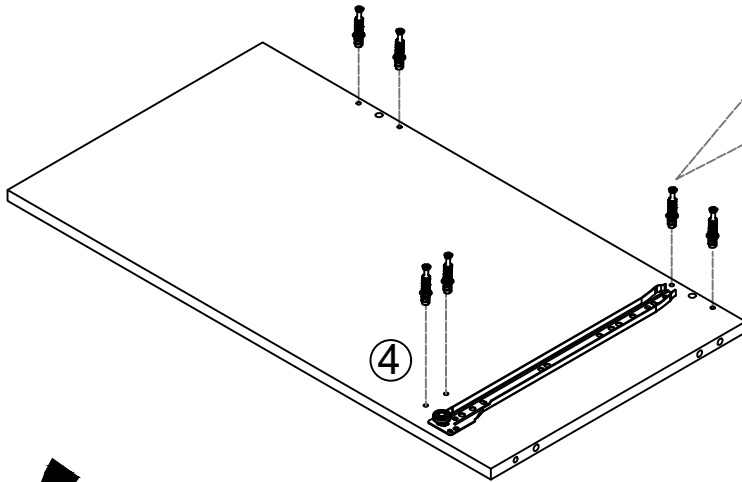
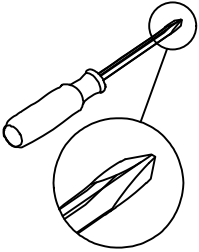
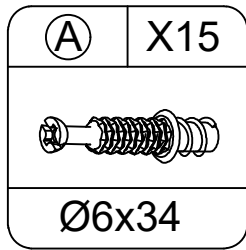
(E)	X12
	
Ø3.5x12	

(L)	X3
	
CL L=350	

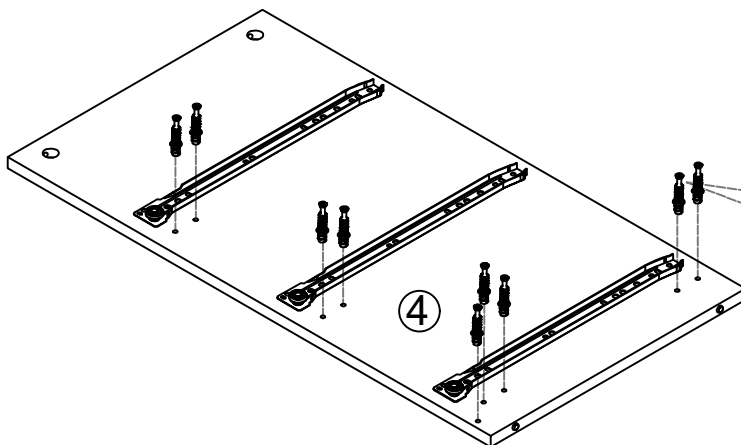
(L)	X1
	
CR L=350	




STEP 6





FLIP OVER

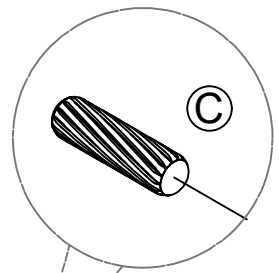
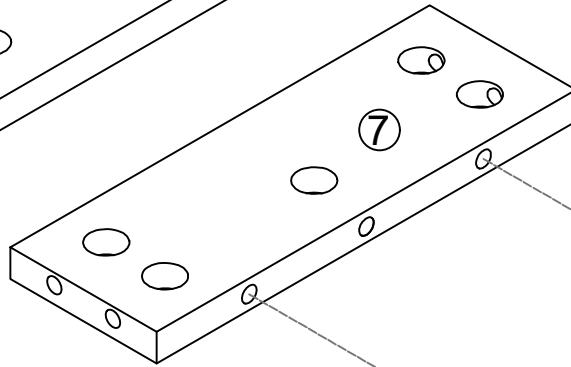
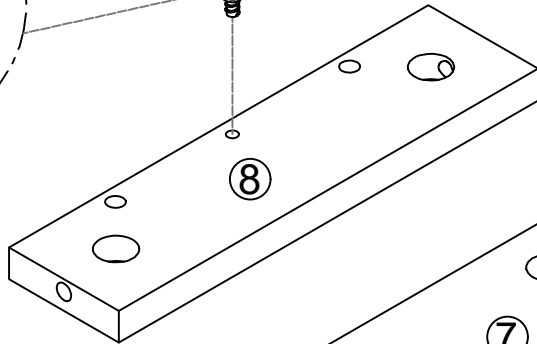
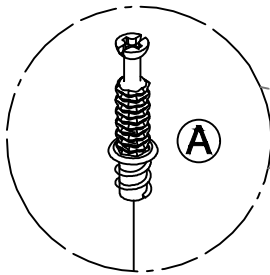
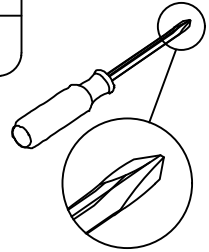


STEP 7

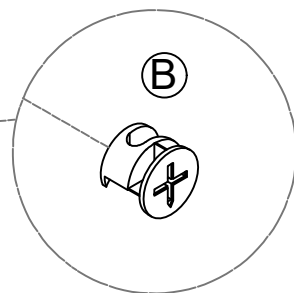
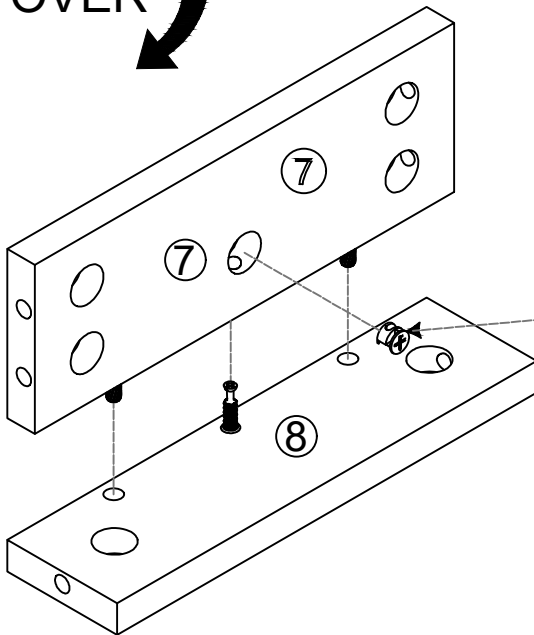
(A)	X2
	
Ø6x34	

(B)	X2
	
Ø15x9.5	

(C)	X4
	
Ø6x30	




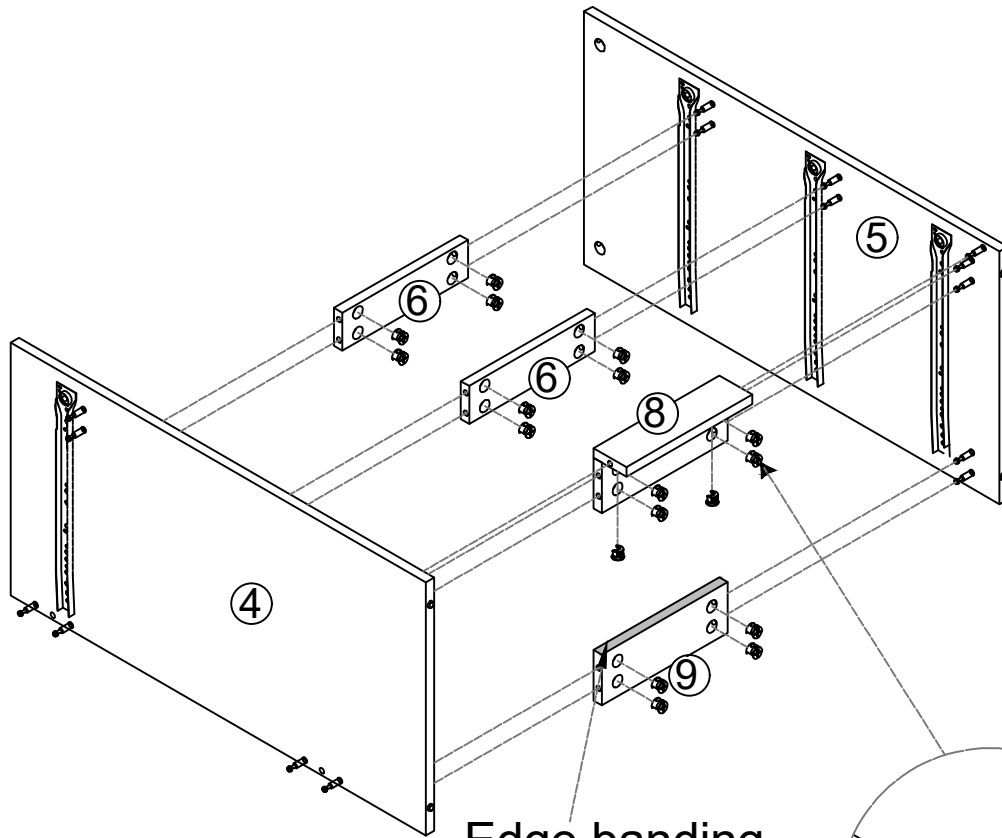
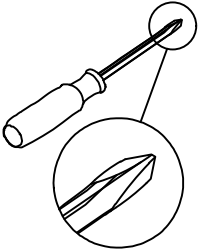
FLIP OVER



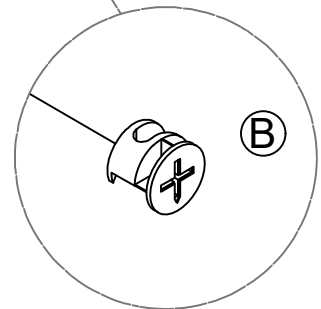
X2

STEP 8


(B)	X18
	
Ø15x9.5	

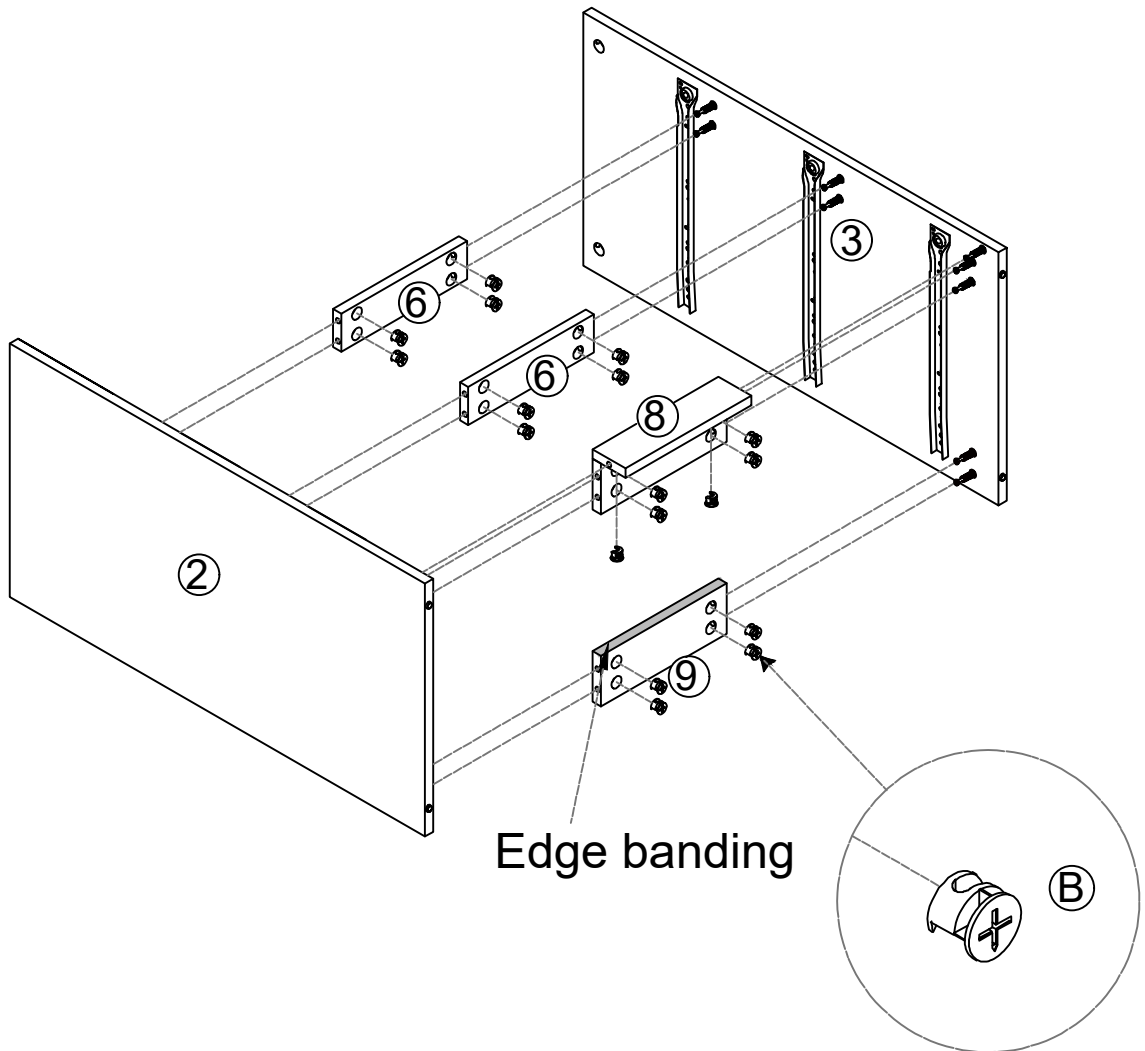
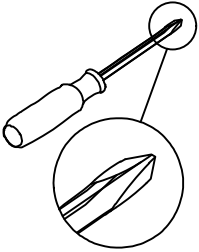


Edge banding

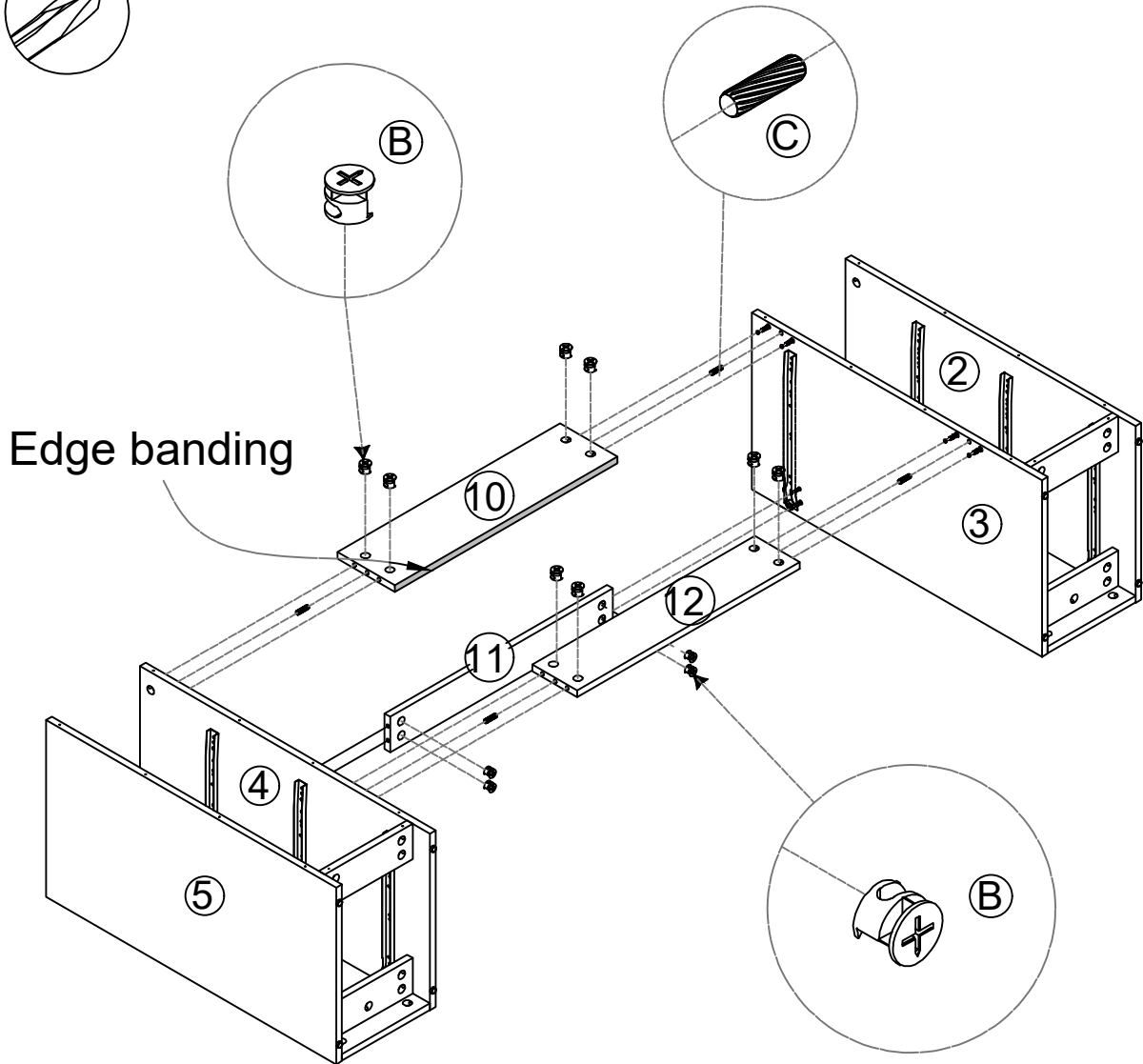
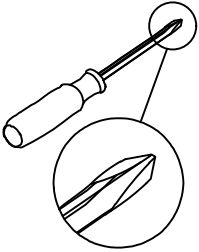
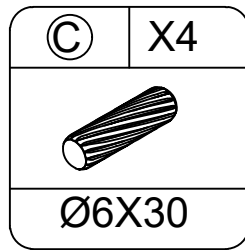
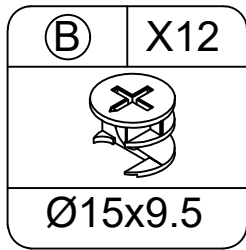


STEP 9


(B)	X18
	
Ø15x9.5	





STEP 10

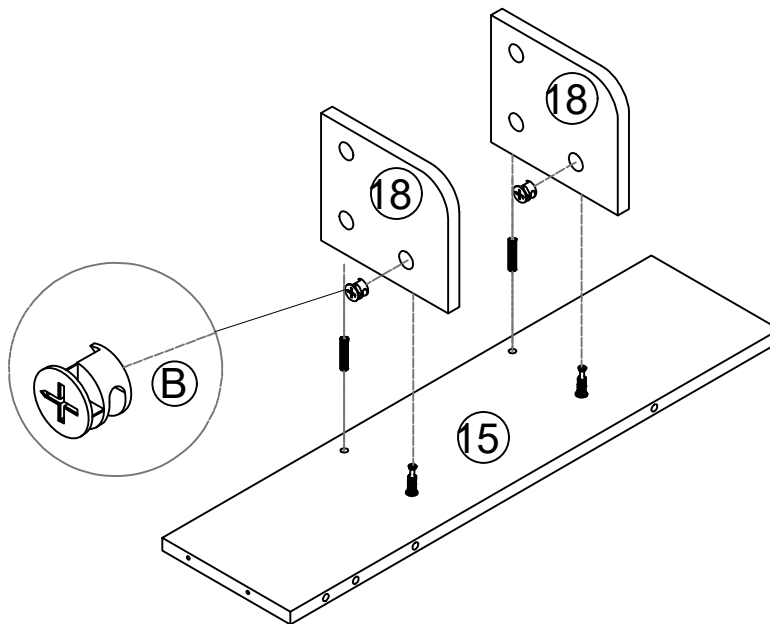
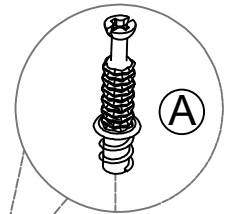
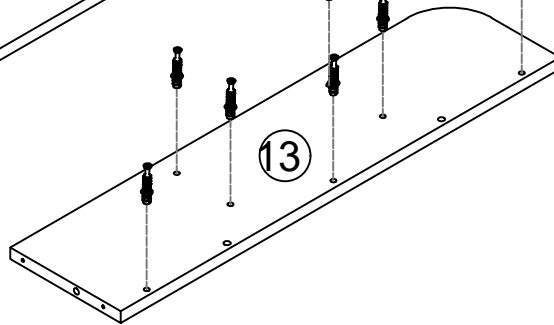
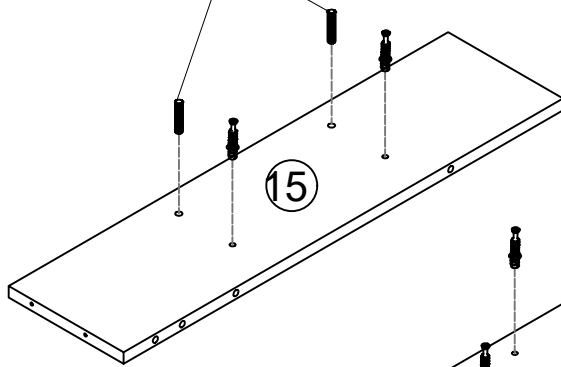
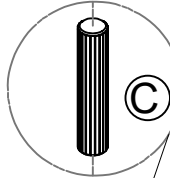
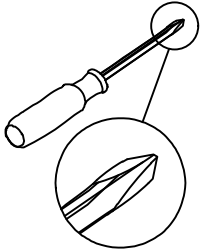


STEP 11

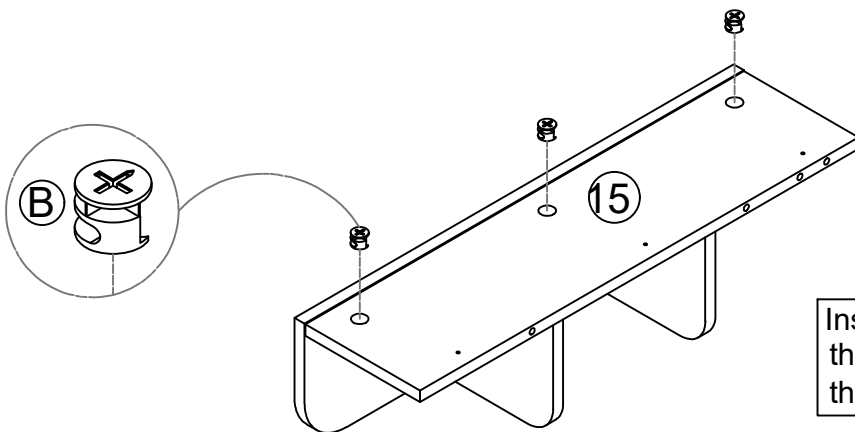
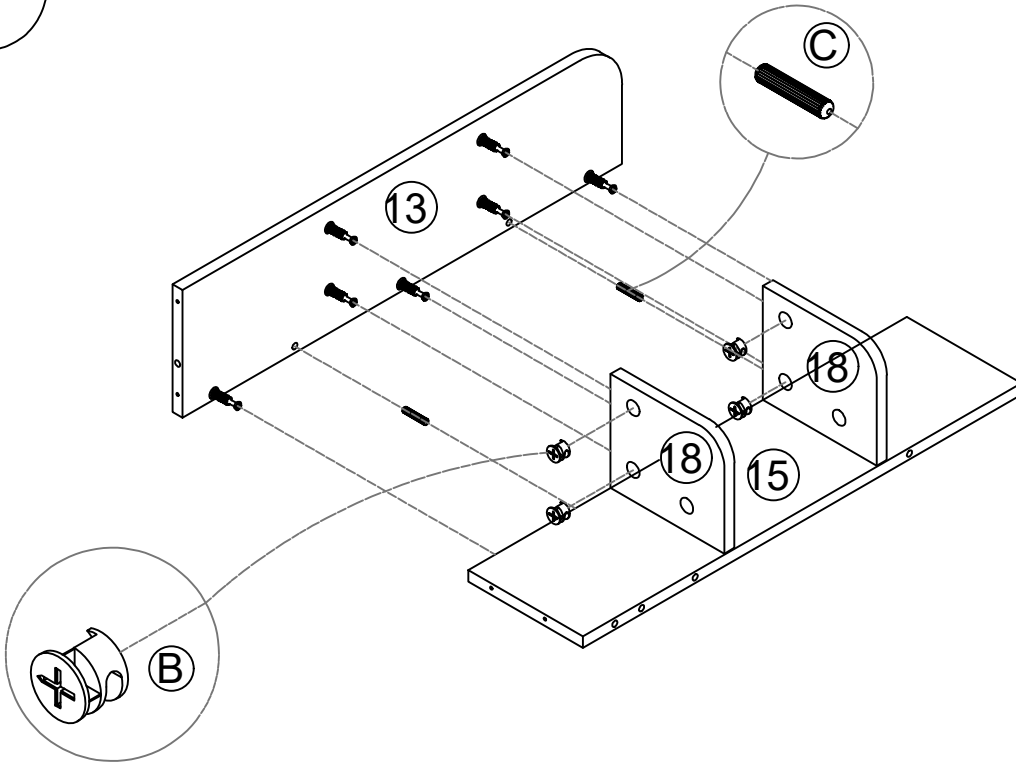
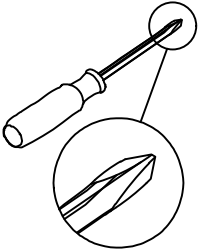
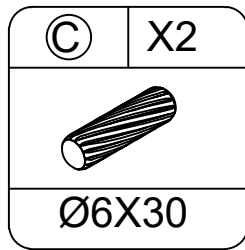
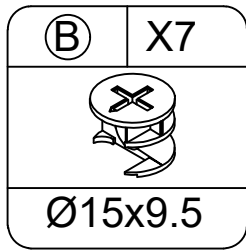
(A)	X9
	
Ø6x34	

(B)	X2
	
Ø15x9.5	

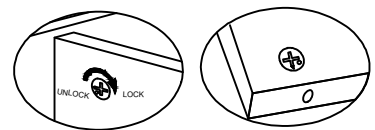
(C)	X2
	
Ø6X30	



STEP 12





Insert the cam bolt into the hole first, then insert the cam lock and lock it.




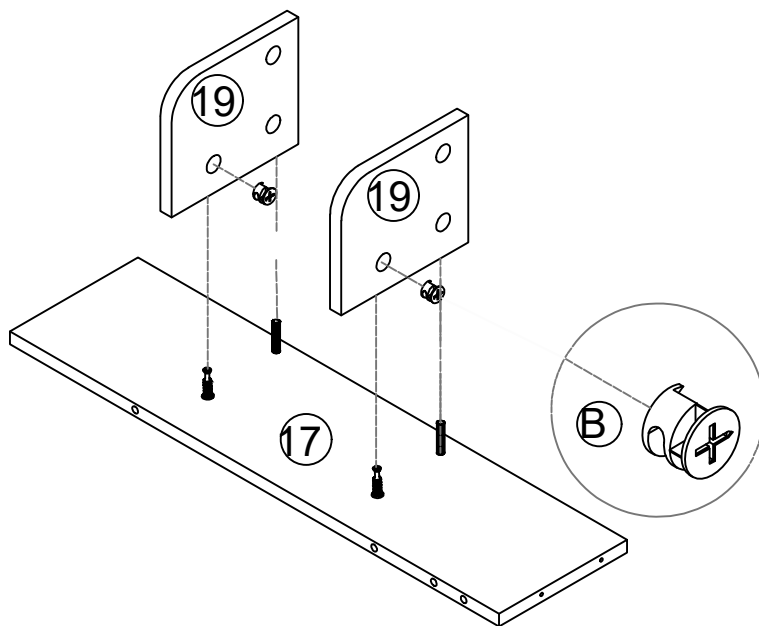
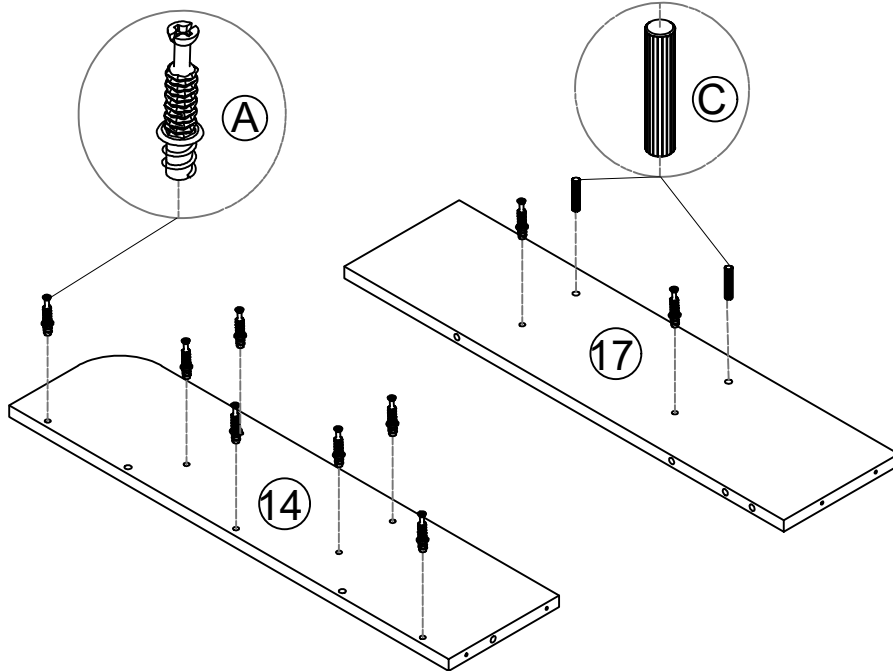
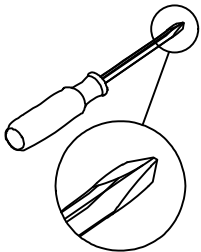
Proper orientation of CAM LOCK

STEP 13

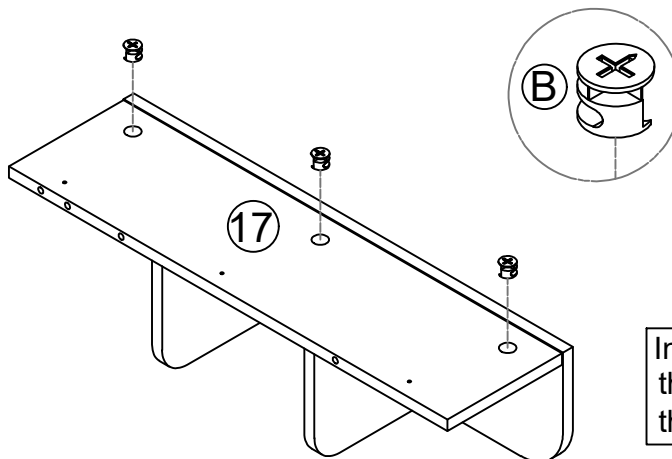
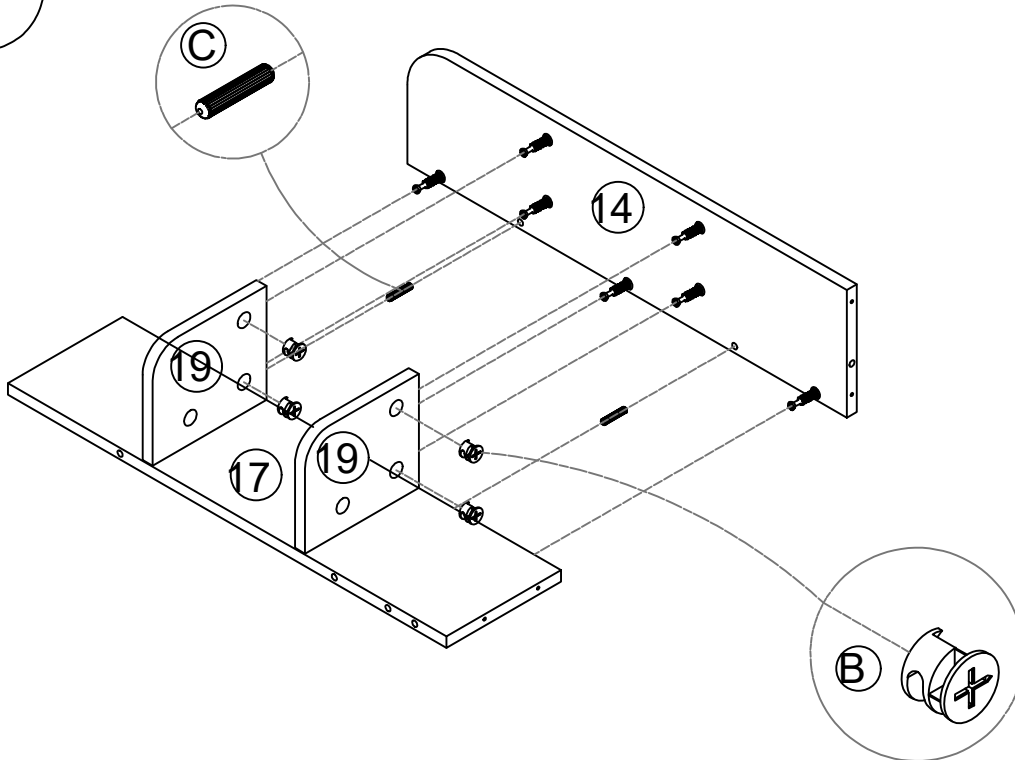
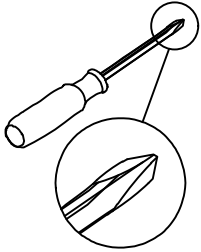
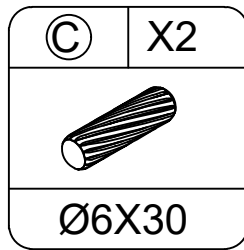
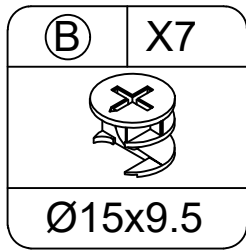
(A)	X9
	
Ø6x34	

(B)	X2
	
Ø15x9.5	

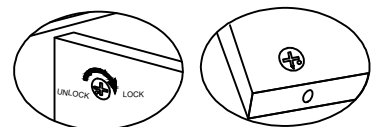
(C)	X2
	
Ø6X30	



STEP 14

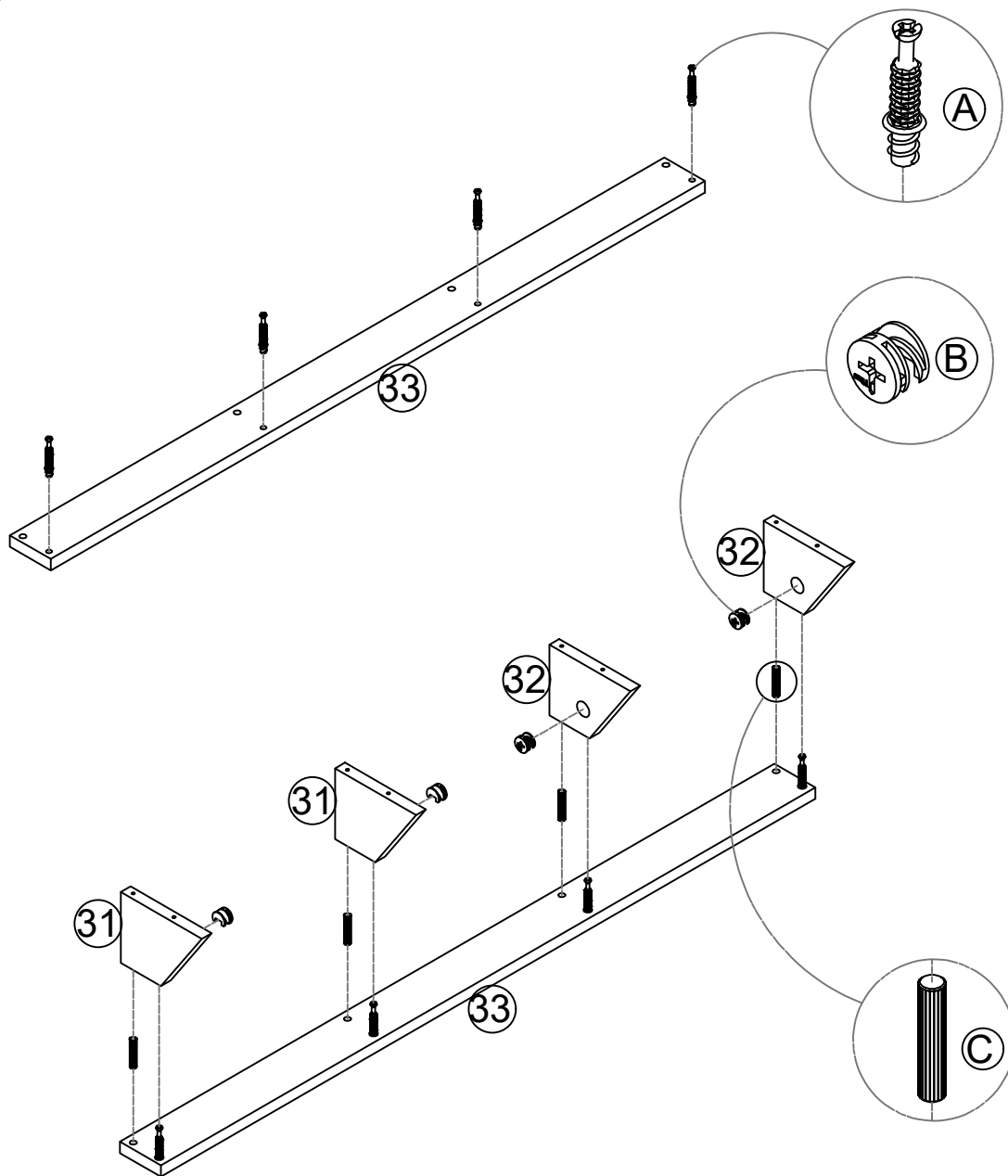
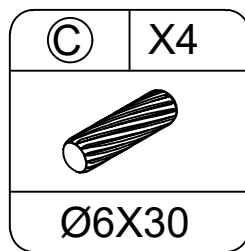
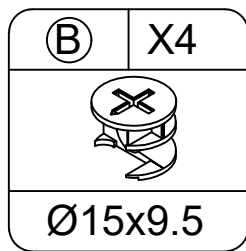
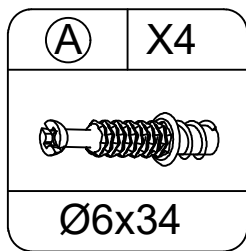
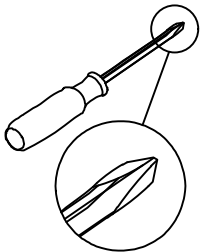


Insert the cam bolt into the hole first, then insert the cam lock and lock it.





Proper orientation of CAM LOCK

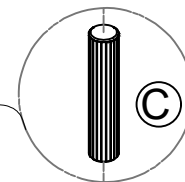
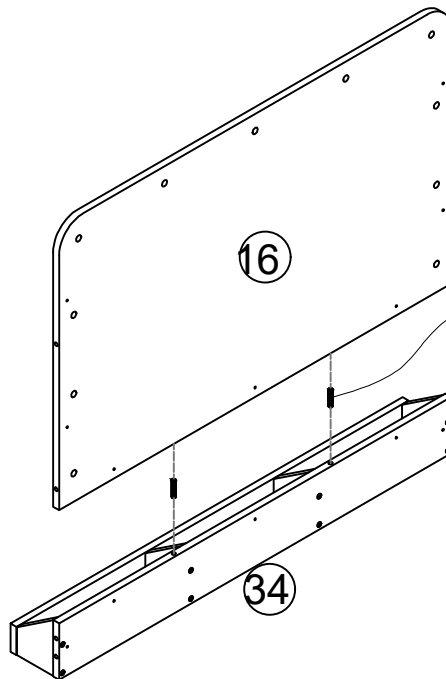
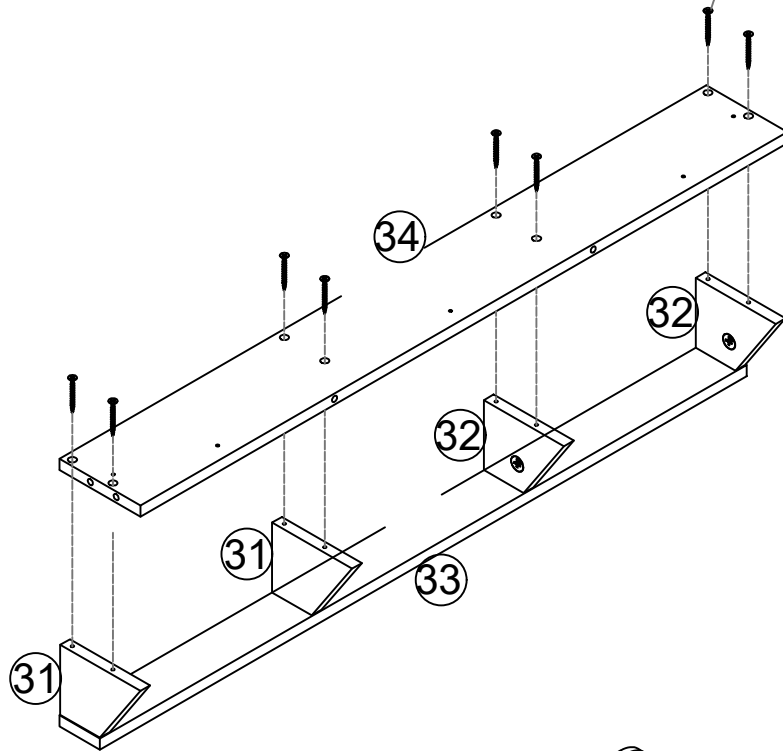
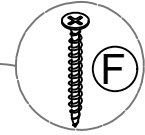
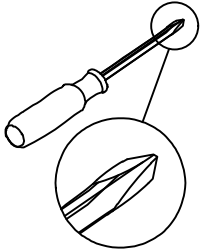
STEP 15



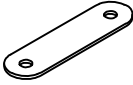
STEP 16


(F)	X8
	
Ø4x35	


(C)	X2
	
Ø6X30	

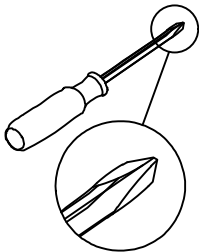


STEP 17

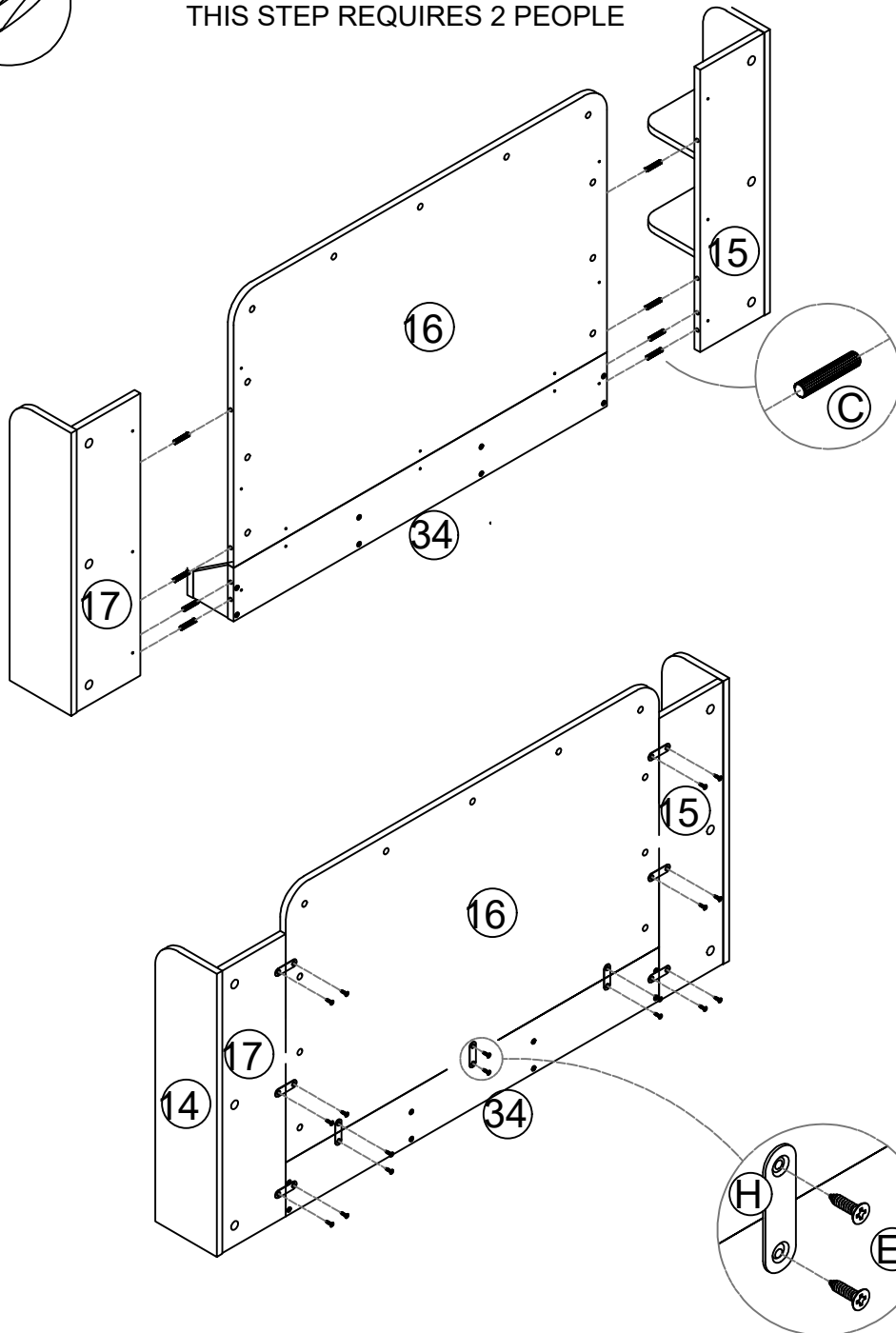
(H)	X9
	
45x15x1	

(E)	X18
	
Ø3.5x12	


(C)	X8
	
Ø6X30	





THIS STEP REQUIRES 2 PEOPLE

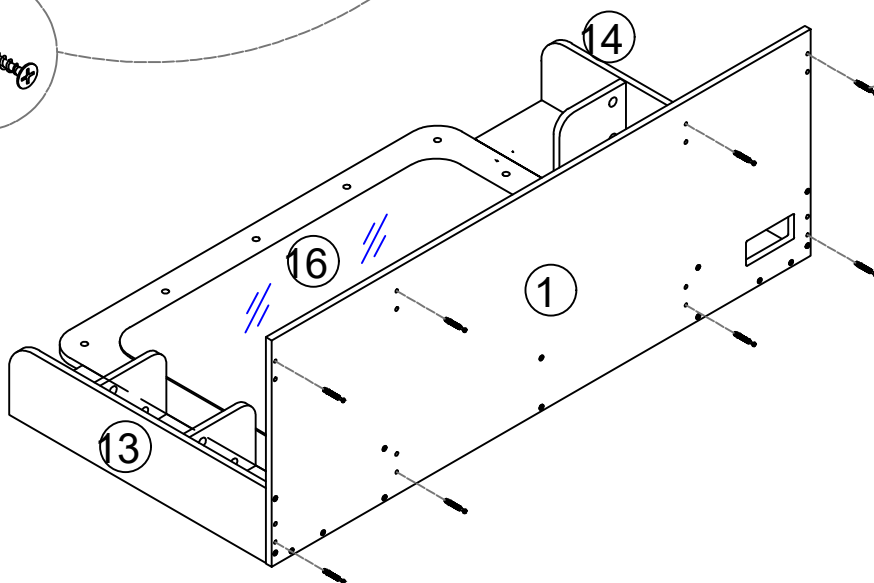
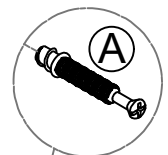
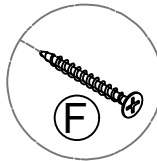
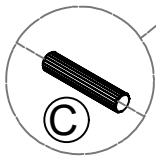
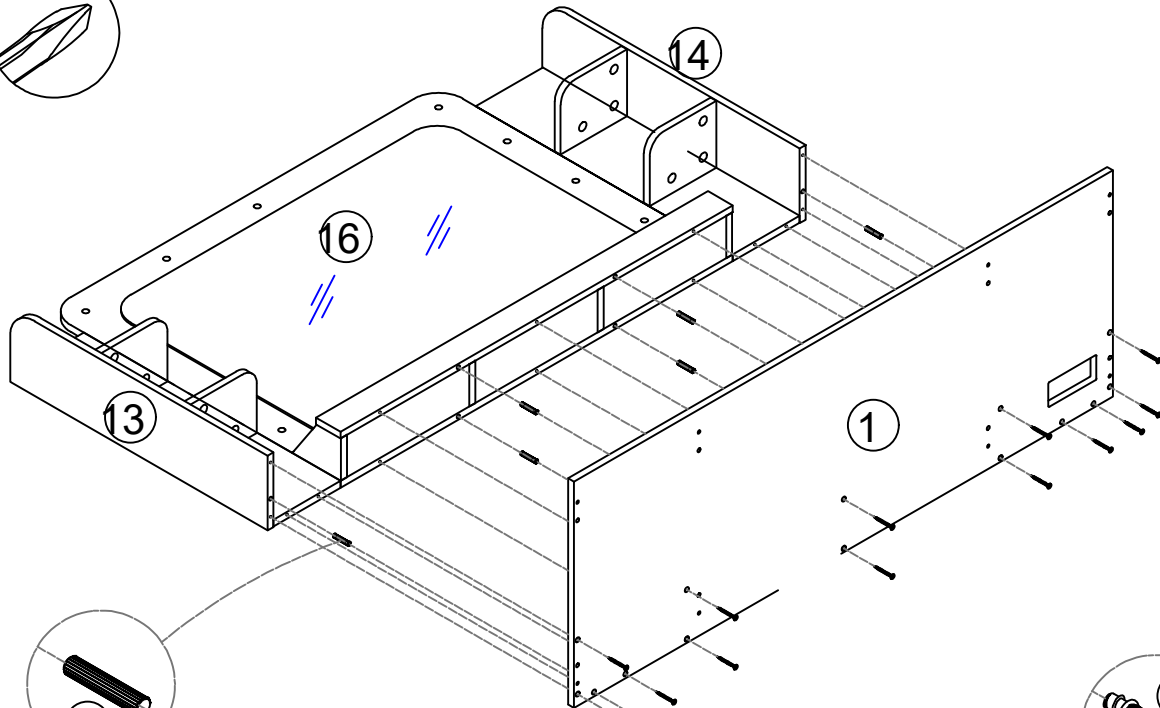
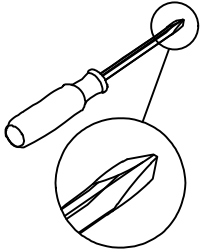


STEP 18

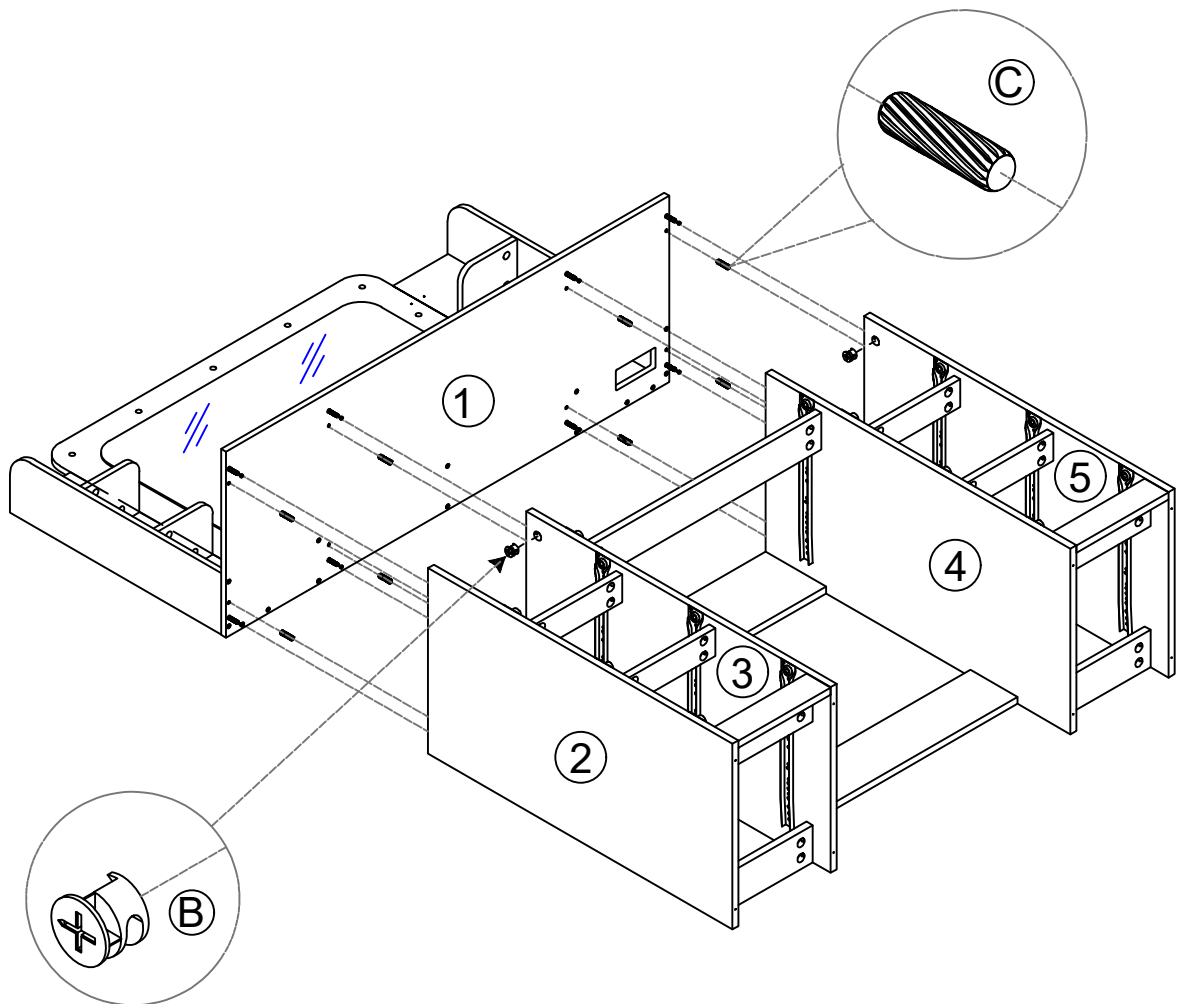
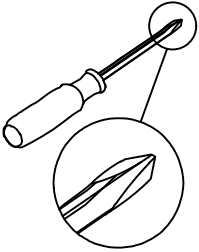
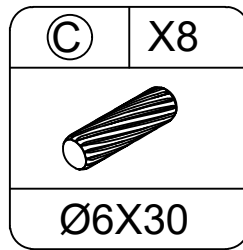
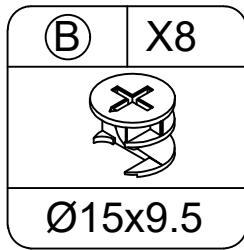
(F)	X14
	
Ø4x35	

(C)	X6
	
Ø6X30	




(A)	X8
	
Ø6x34	

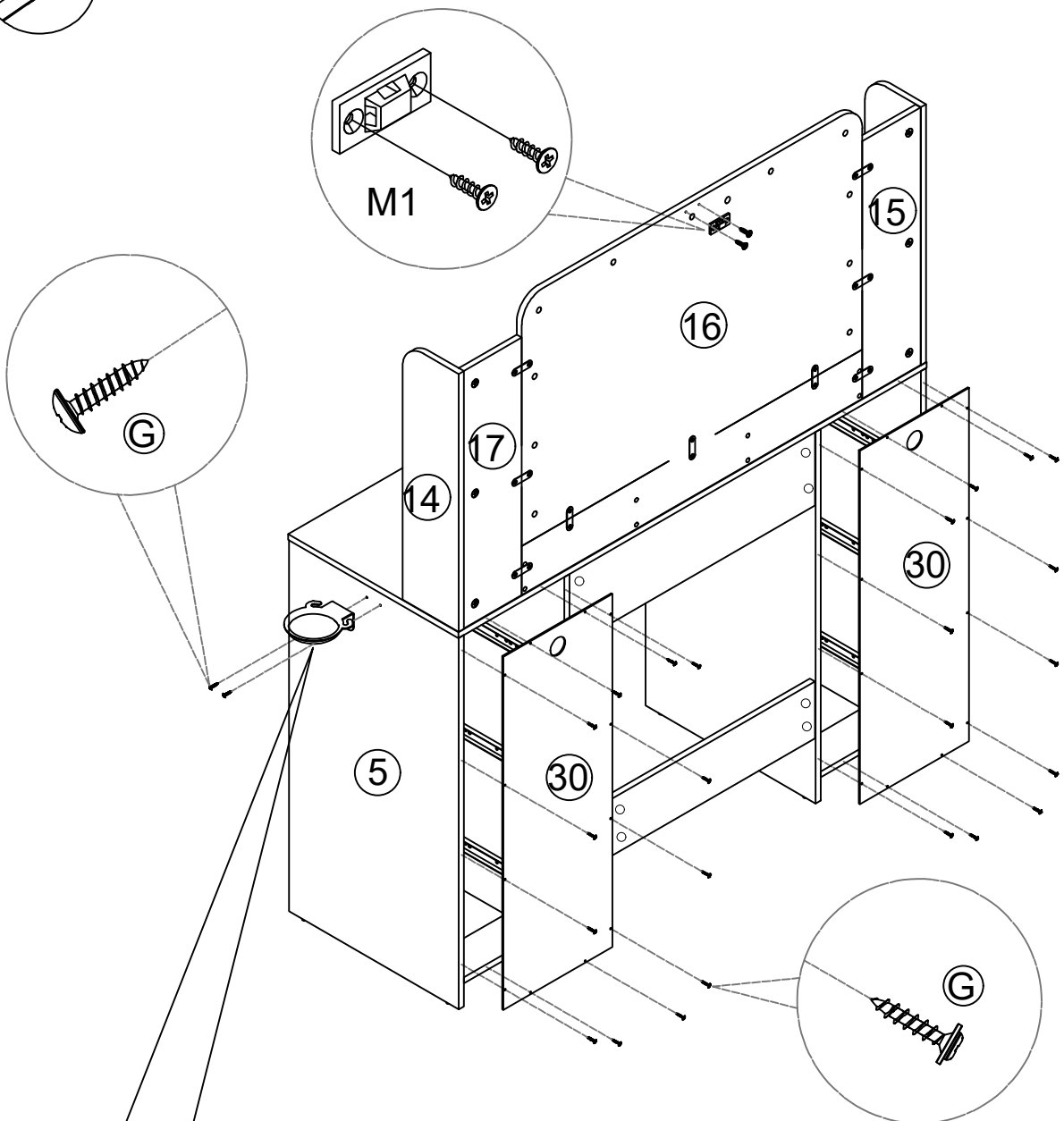
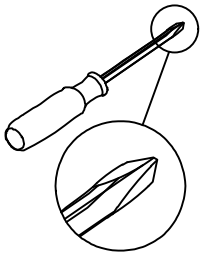


STEP 19




STEP20


ⓐ	X26	Ⓚ	X1	M1X1set	
					
Ø3.5x14		Ø3.5x14			




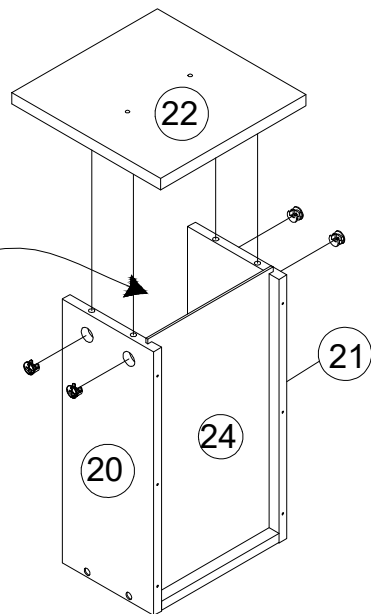
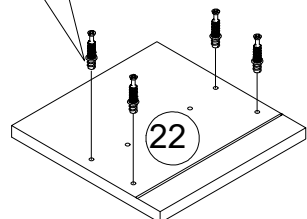
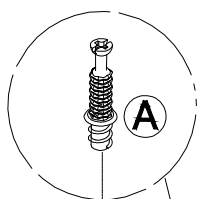
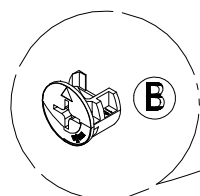
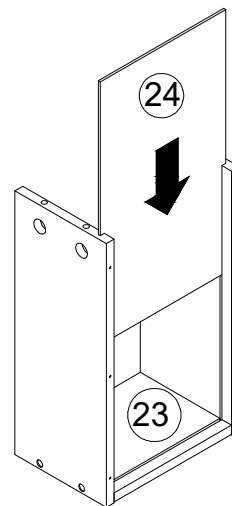
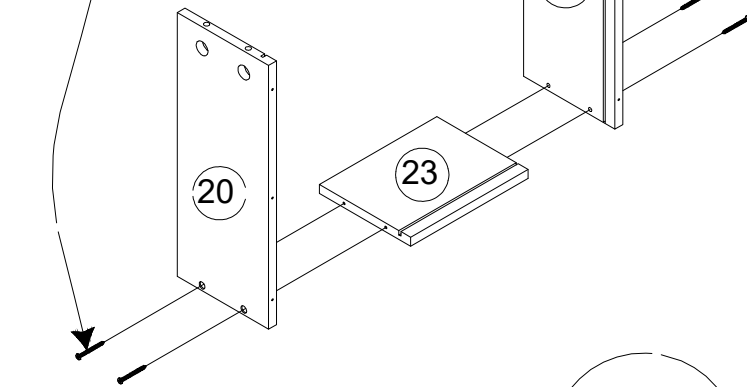
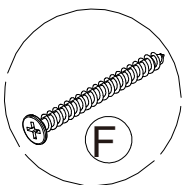
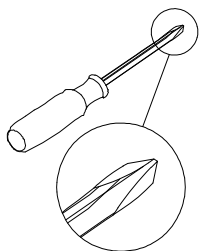
You can install the hair dryer rack(K) on the left or right according to your needs

STEP 21

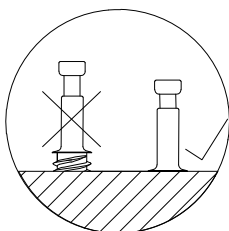
F	X 24
	
Ø4x35	

A	X 24
	
Ø6x34	

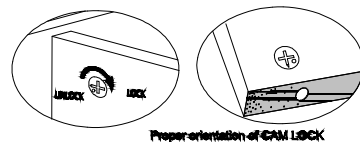
B	X 24
	
Ø15x9.5	



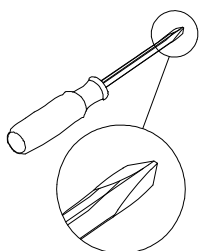
Insert the cam bolt into the hole first, then insert the cam lock and lock it.




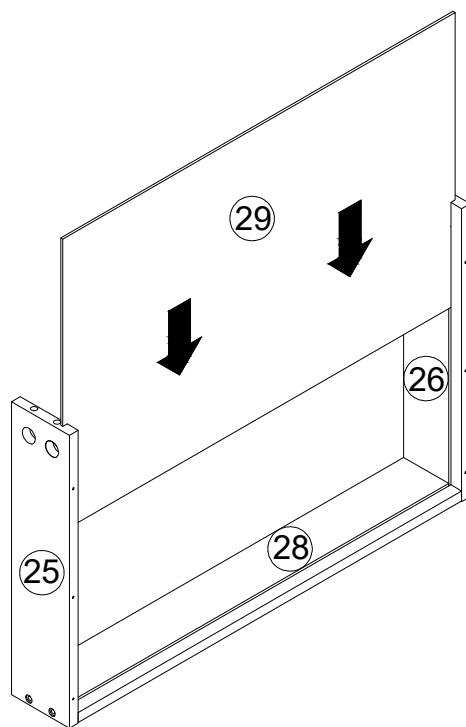
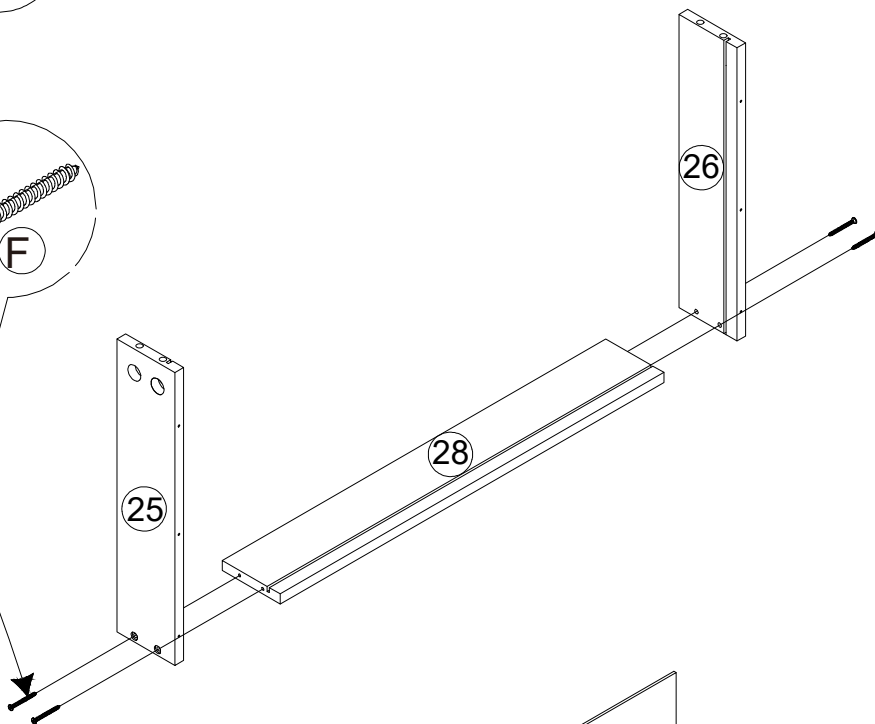
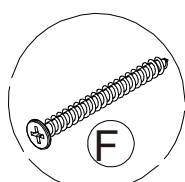
X6




STEP 22




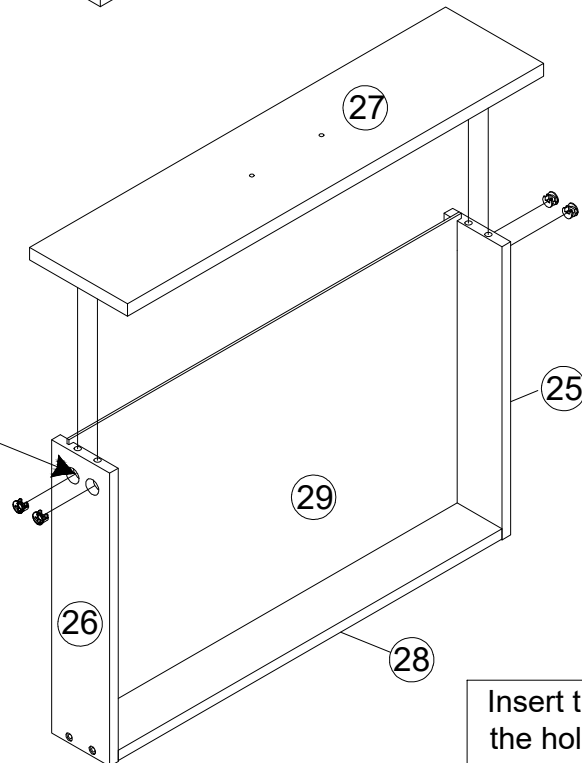
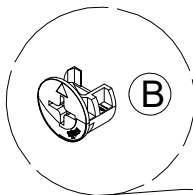
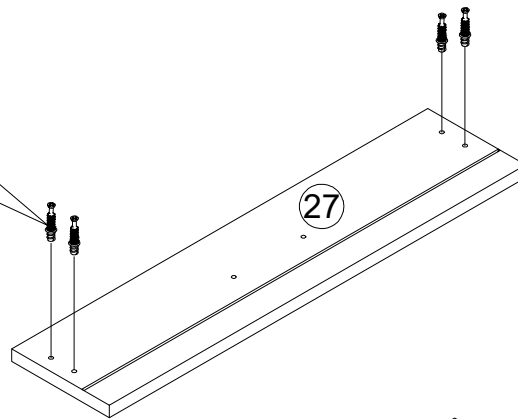
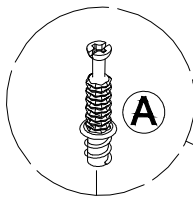
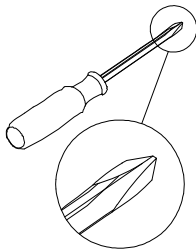
F	X4
	
Ø4x35	



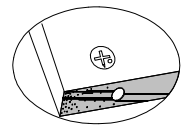
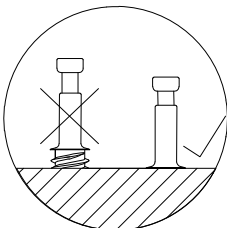
STEP 23

(A)	X 4
	
Ø6x34	

(B)	X 4
	
Ø15x9.5	

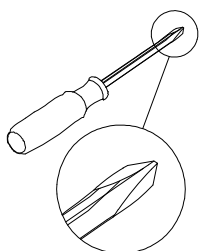



Insert the cam bolt into the hole first, then insert the cam lock and lock it.




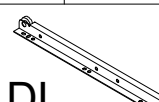
Proper orientation of CAM LOCK

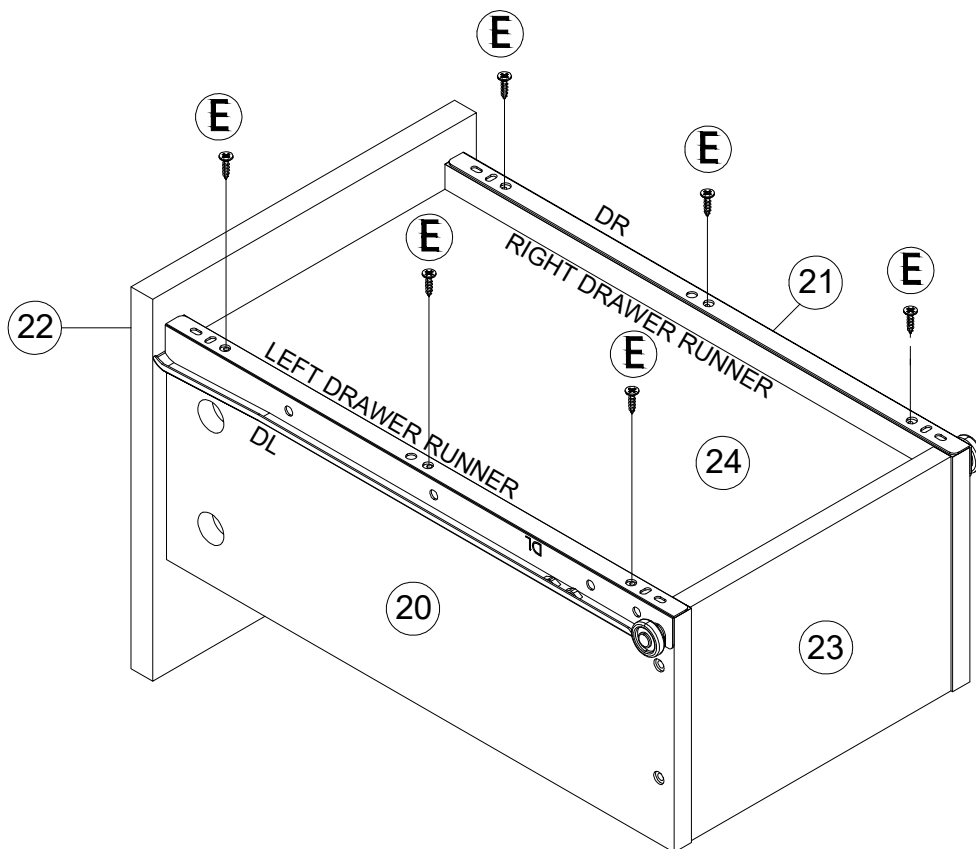
STEP 24



(E)	X36
	
Ø3.5x12	

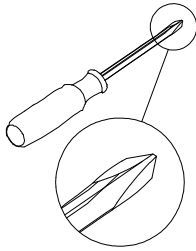
(L)	X6
	
DR	
L=350	


(L)	X6
	
DL	
L=350	

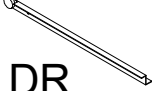


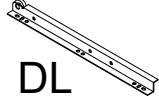
X6

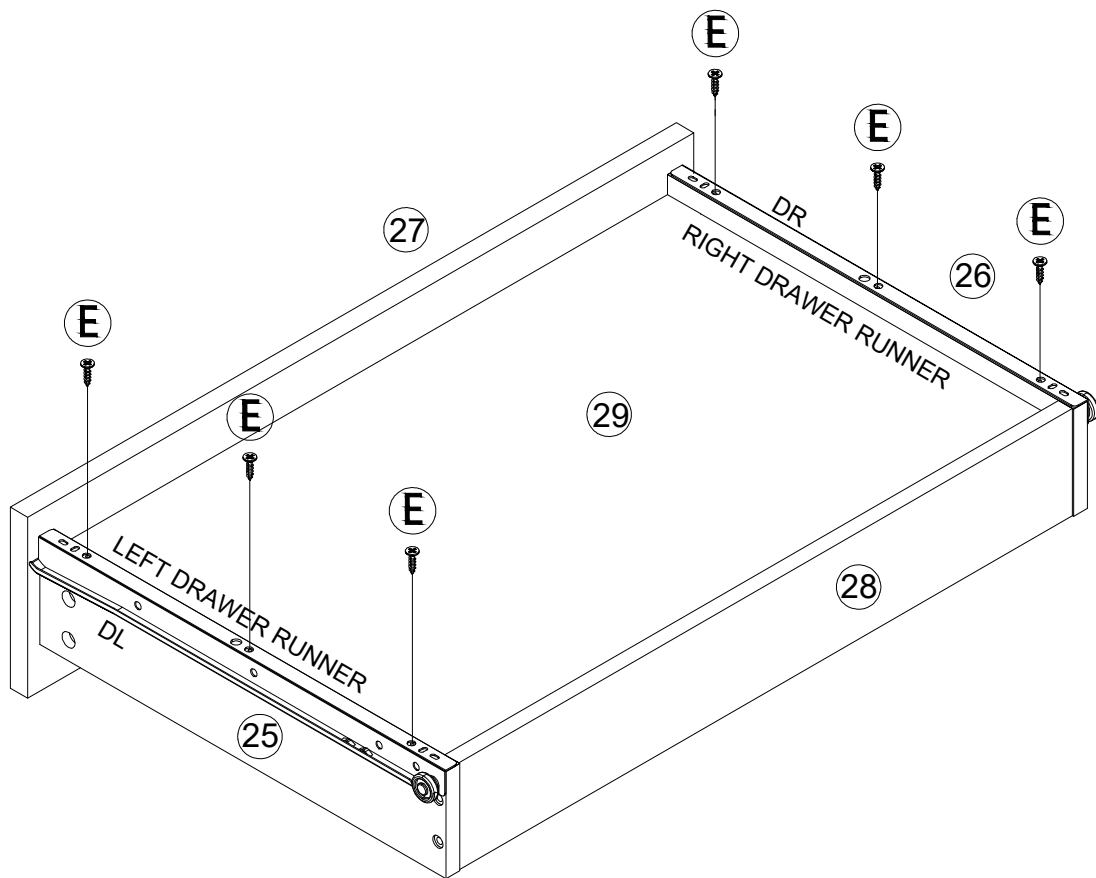
STEP 25




(E)	X6
	
Ø3.5x12	

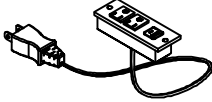
(L)	X1
	
DR	
L=350	

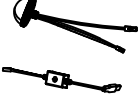
(L)	X1
	
DL	
L=350	

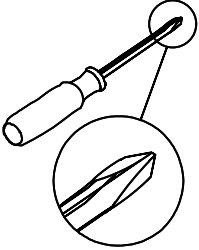


STEP 26

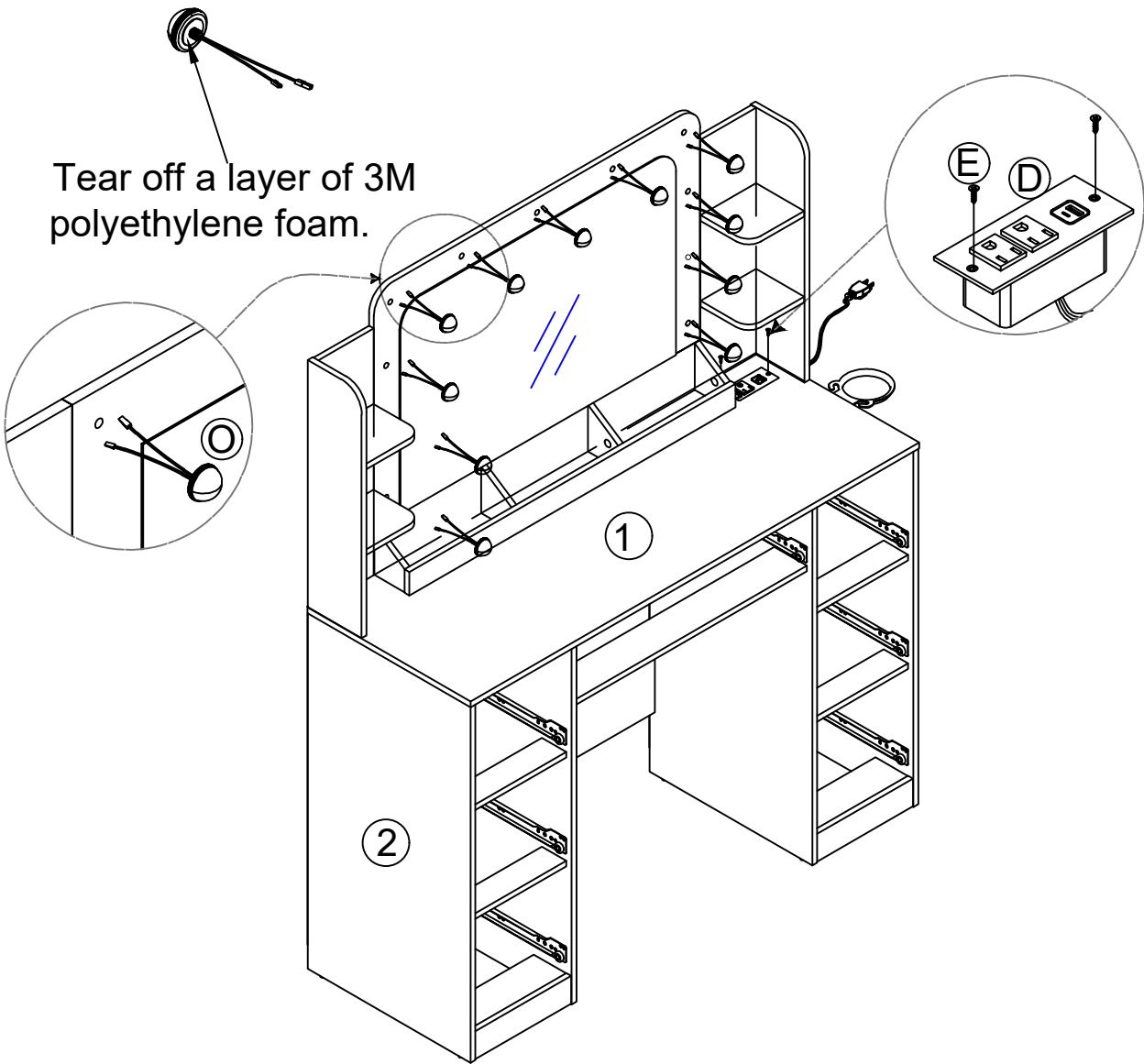
(E)	X2
	
Ø3.5x12	

(D)	X1
	

(O)	X11
	



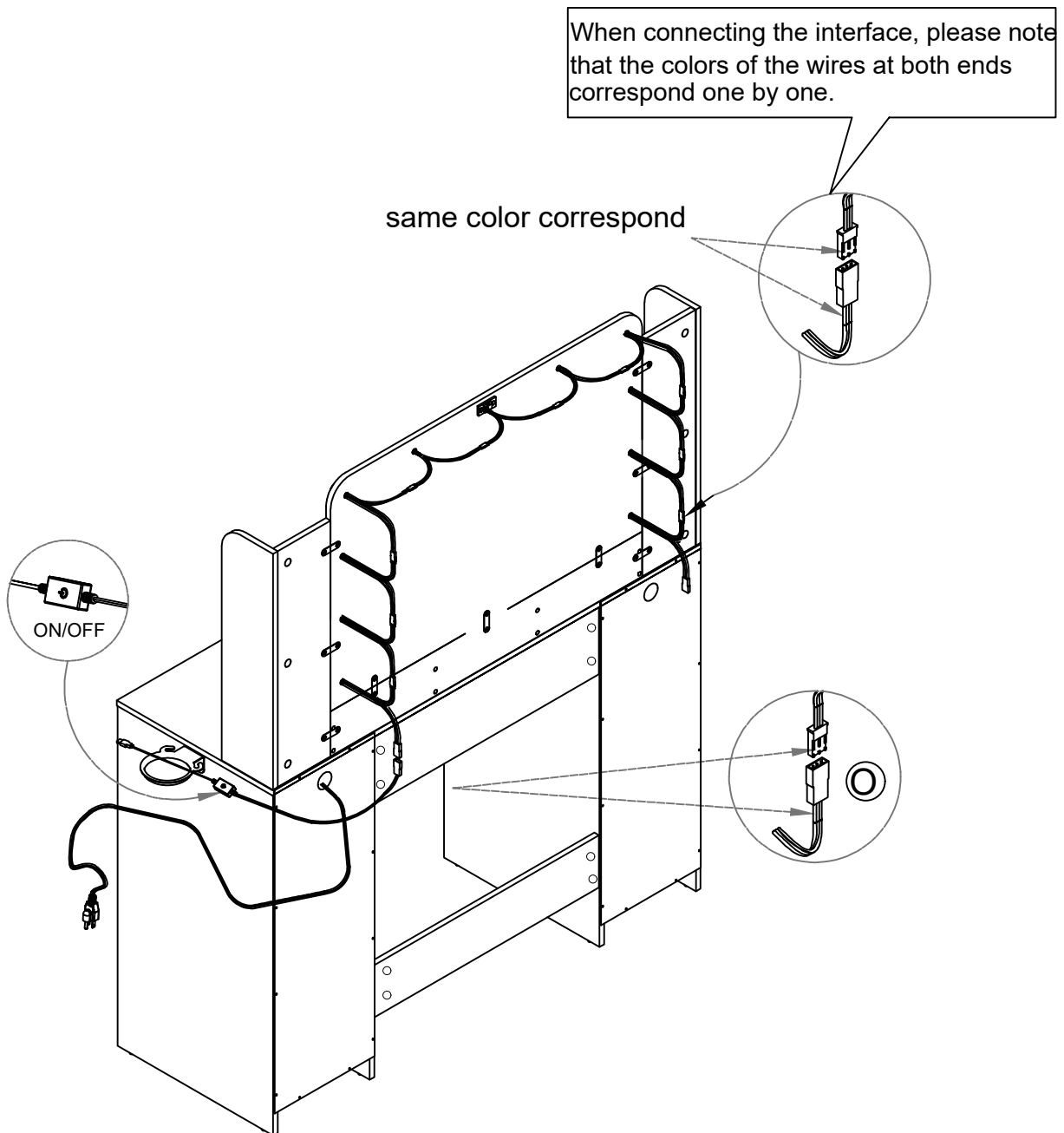
Tear off a layer of 3M polyethylene foam.



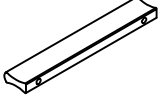
STEP27

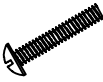
Pass the bulb wire through the pre punched plate, then gently press the bulb and make it adhere to the plate, and then connect the adjacent bulbs successively through the wire head slot on the opposite side (corresponding to the line of the same color).

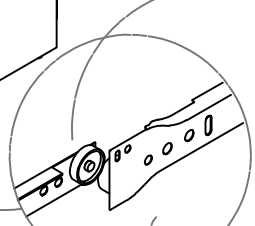
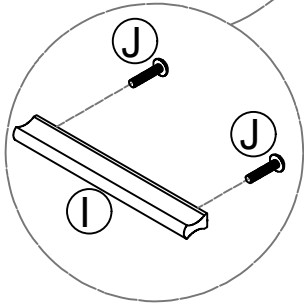
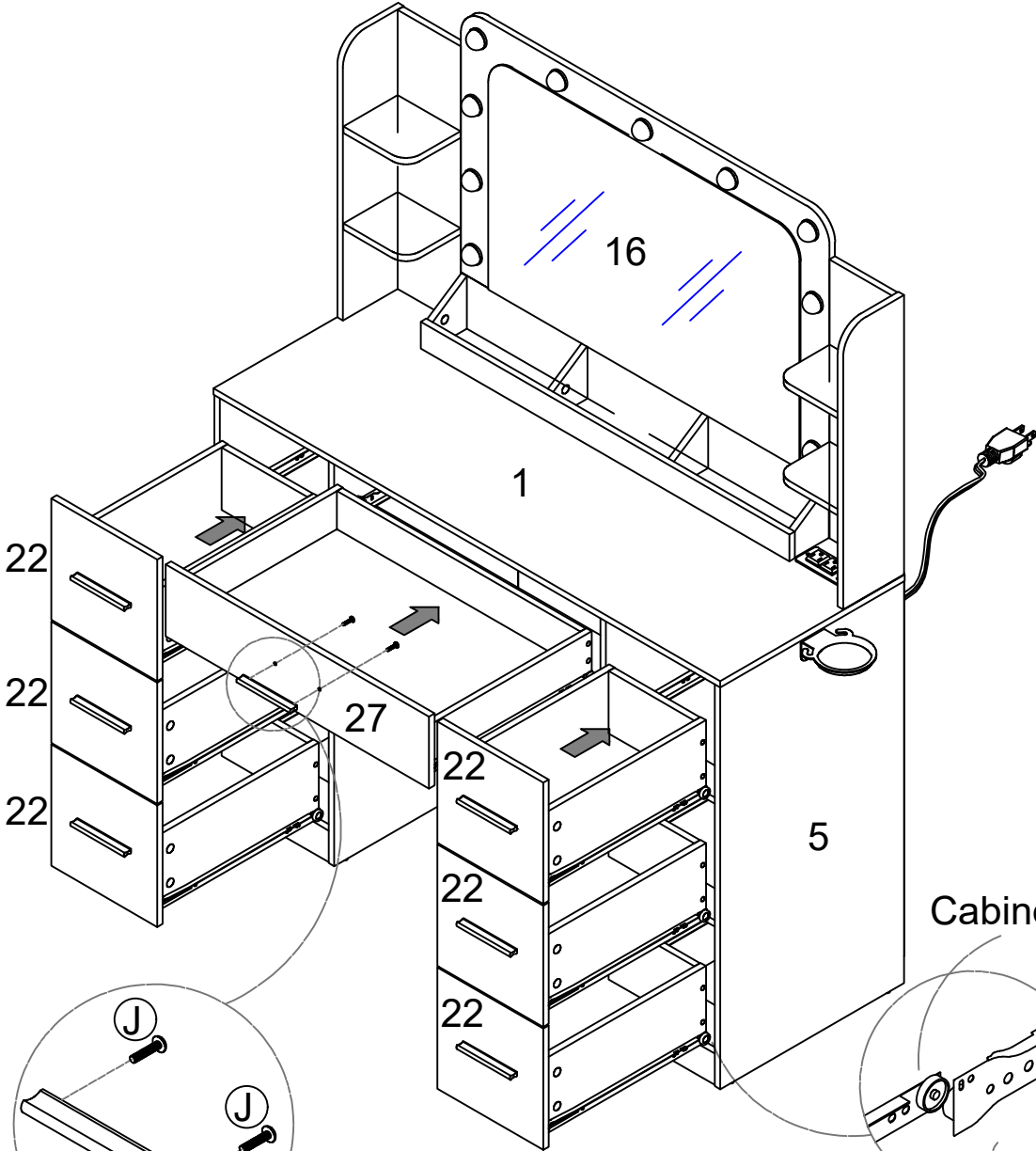
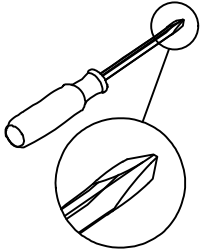
When making up, you can use the switch to turn on or off the light. The dressing table brings you 3 color temperature light modes, touch the button you can easily light up the mirror and change colors to meet your different needs, long press to adjust the brightness.



STEP28

Ⓛ	X7
	
106*16*8	

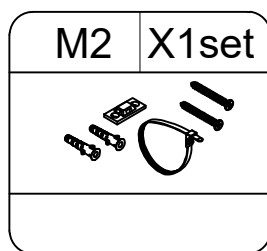
ⓙ	X14
	
5/32"x16	



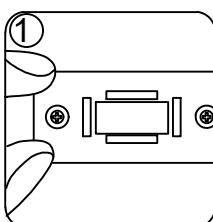
Cabinet Slide

Drawer Slide

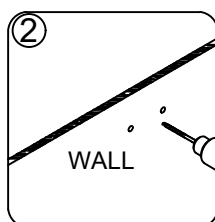
STEP29



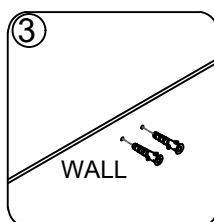
Install the tipping restraint hardware



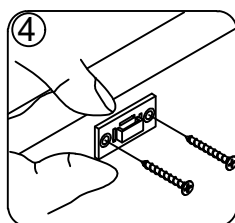
1. make mark on the wall



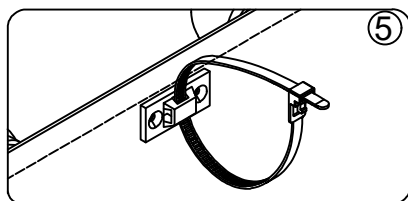
2. drill two GO6 holes on the wall



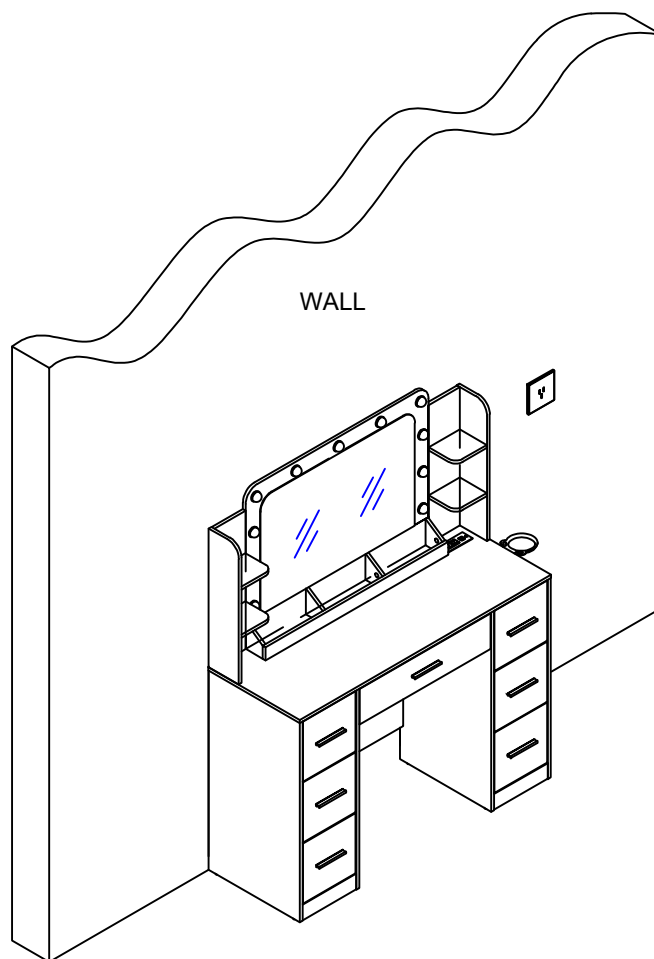
3. put two anchors in the holes



4. fix the device on the wall by the long screws



5. Push the cabinet close to the wall so that the two bases are close to each other, and then put on nylon tie to tighten it.



FURNITURE CARE AND MAINTENANCE

Thank you for your purchase. We want your item to last as long as possible. To ensure the product gives you years of service, please refer to this care and maintenance guide.



MAINTENANCE

Tighten all bolts and screws again within the first 2 weeks of assembly
Check the tightness of all bolts every 2 months, tighten them if necessary



CLEANING

Clean the surface of the MDF and PB (medium-density fiberboard) with a lightly dampened cloth.
A small amount of mild soap can be used if necessary
Dry the surface immediately after cleaning.

- ⚠ DO NOT use bleach or alcohol detergent to clean the surface.
- ⚠ DO NOT apply wood treatment on parts made with MDF/PB.

Medium - density fiber board and PB will swell and distort when suffer from water damage. Make sure to dry the furniture immediately after cleaning