

## Bed Frame with Storage Headboard & Charging Station Assembly Instructions



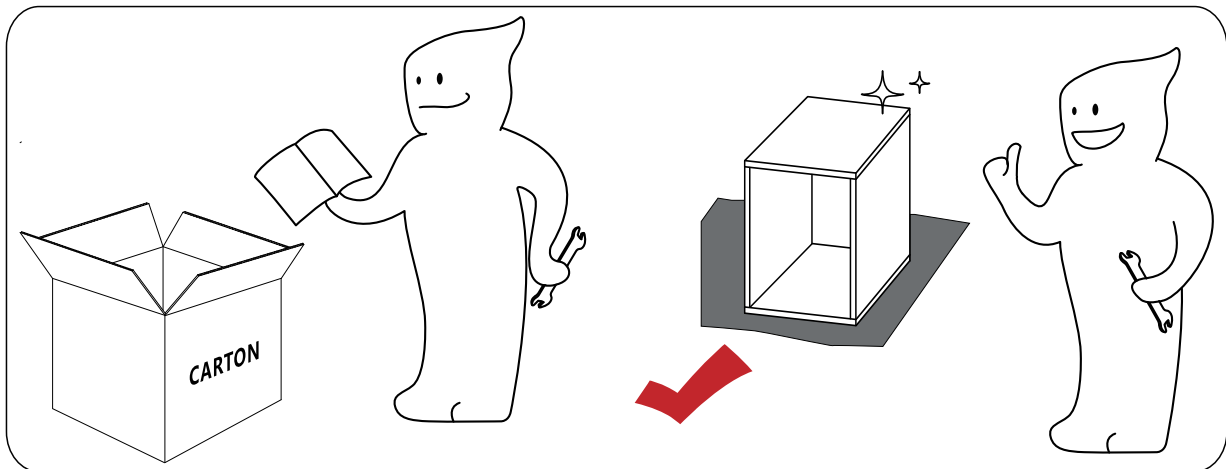
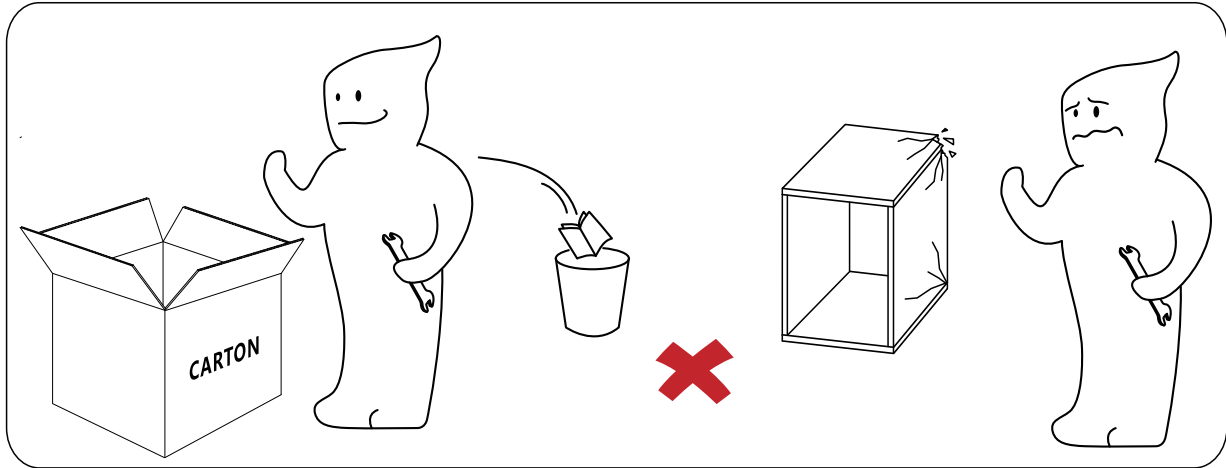
### **Dear Customers,**

Thank you for purchasing our product. Please read this instruction manual carefully after receiving this product. It will help you assemble this product quickly, safely and correctly. You can keep this manual for future reference.

MADEINCHINA

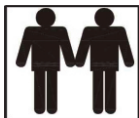
## ! IMPORTANT

Please follow the instruction manuals and use a pad to protect the product during your assembly.



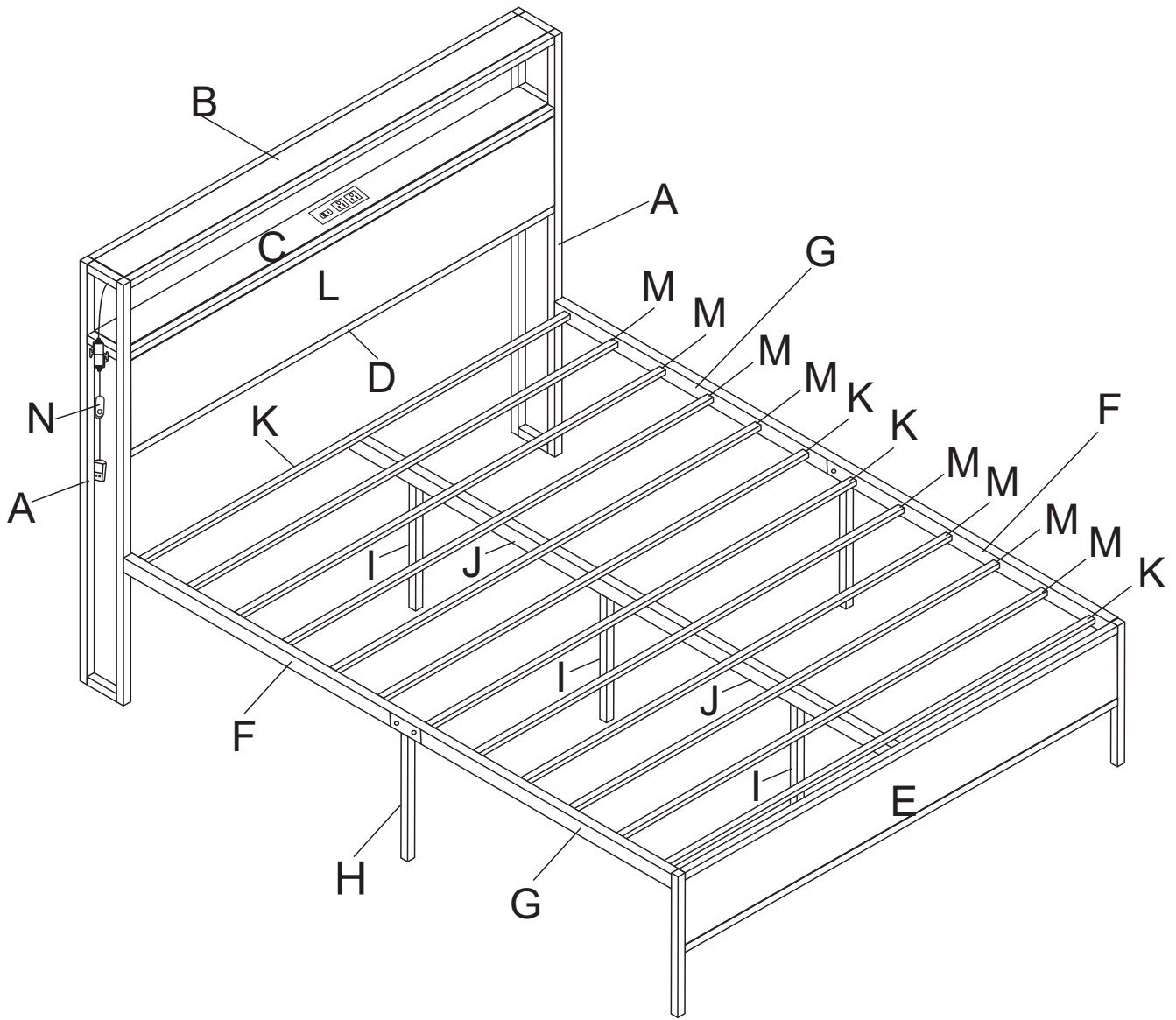
**Note:**

- 1. Should be assembled on flat ground to keep balance.**
- 2. Before completing the installation, do not tighten the screws.**



For easier and better assembly, **2** or more adults are required.

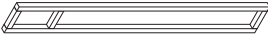
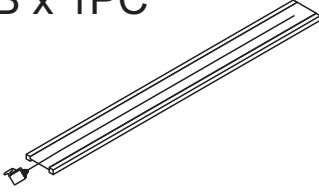
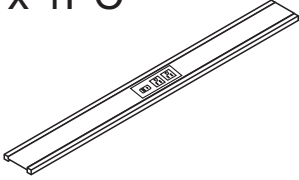
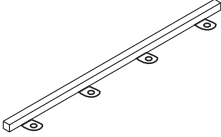
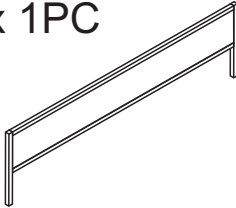
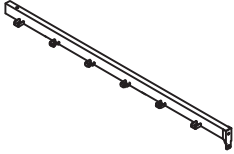

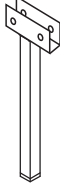
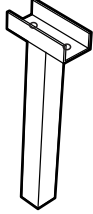
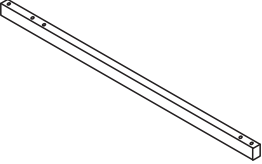
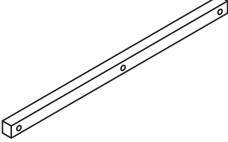
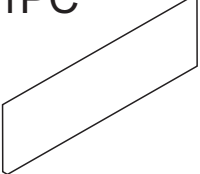
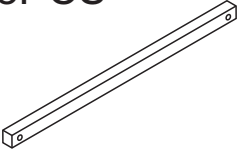
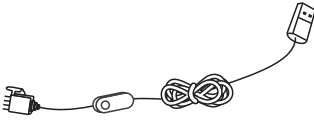




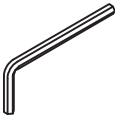
# ASSEMBLY INSTRUCTIONS



Notice: Do not tighten the screws too tightly at the beginning of the assembly. After each hole position is matched well, with gently force to screw, if there is no problem, then tighten all the screws.

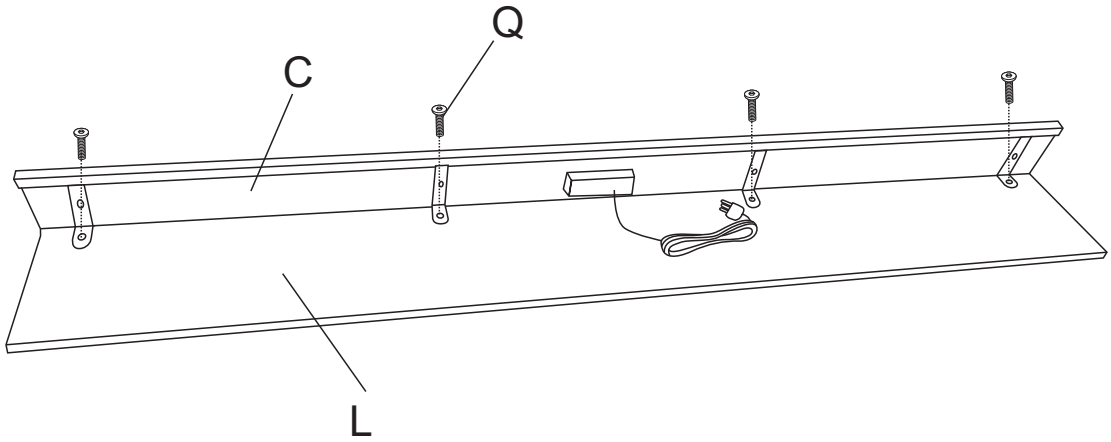
# ASSEMBLY INSTRUCTIONS


## PARTSLIST

<p>A x 2PCS</p> 	<p>B x 1PC</p> 	<p>C x 1PC</p> 		
<p>D x 1PC</p> 	<p>E x 1PC</p> 	<p>F x 2PCS</p> 		
<p>G x 2PCS</p> 	<p>H x 2PCS</p> 	<p>I x 3PCS</p> 		
<p>J x 2PCS</p> 	<p>K x 4PCS</p> 	<p>L x 1PC</p> 		
<p>M x 8PCS</p> 	<p>N x 1PCS</p> 			
<p>N x 22PCS</p>  <p>M8x40mm</p>	<p>O x 6PCS</p>  <p>M6x35mm</p>	<p>P x 28PCS</p>  <p>M6x25mm</p>	<p>Q x 8PCS</p>  <p>M6x13mm</p>	<p>R x 1PC</p> 

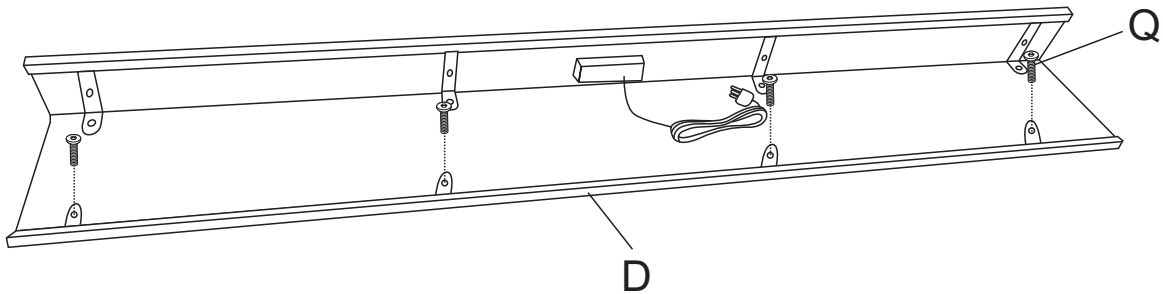
# ASSEMBLY INSTRUCTIONS


1



Q		4PCS
	M6x13mm	

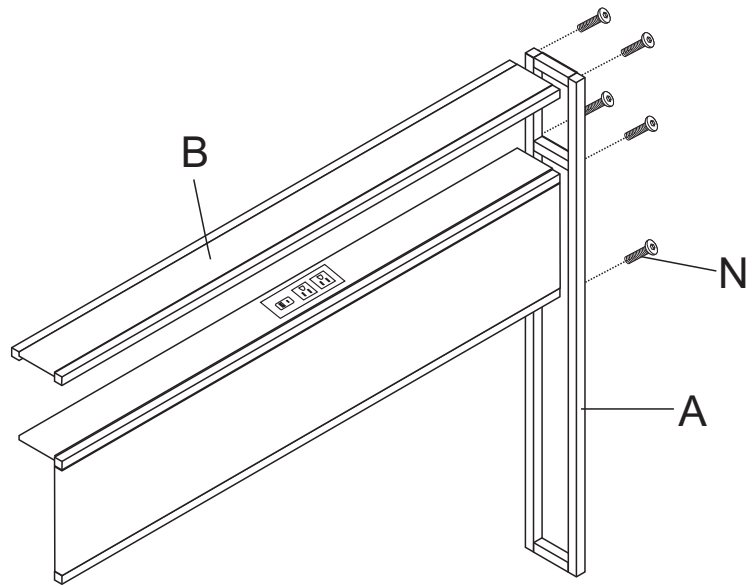
2




Q		4PCS
	M6x13mm	

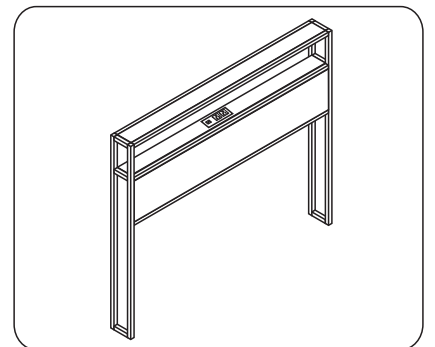
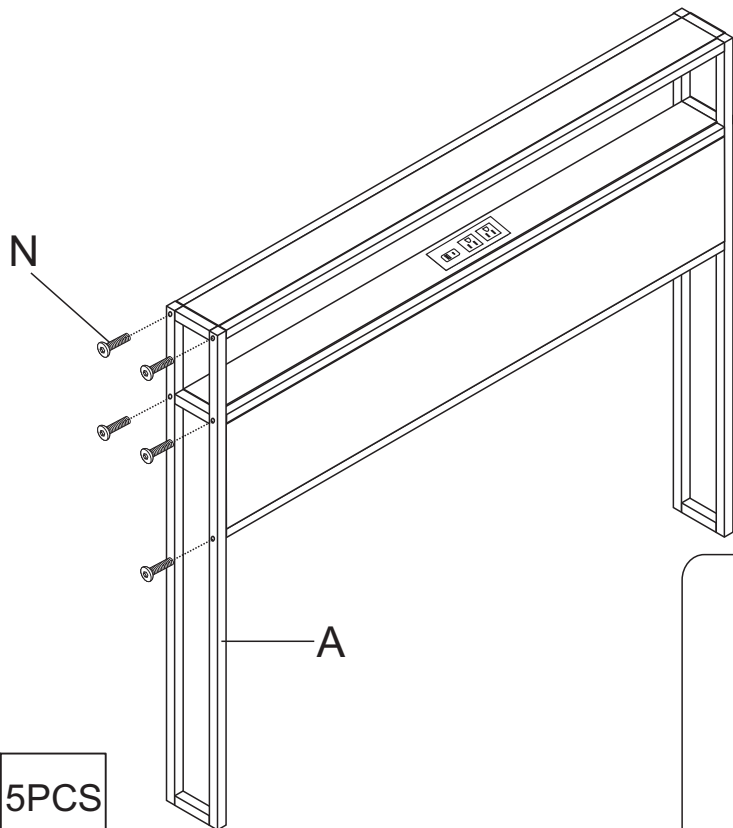
# ASSEMBLY INSTRUCTIONS


3



N		5PCS
	M8x40mm	

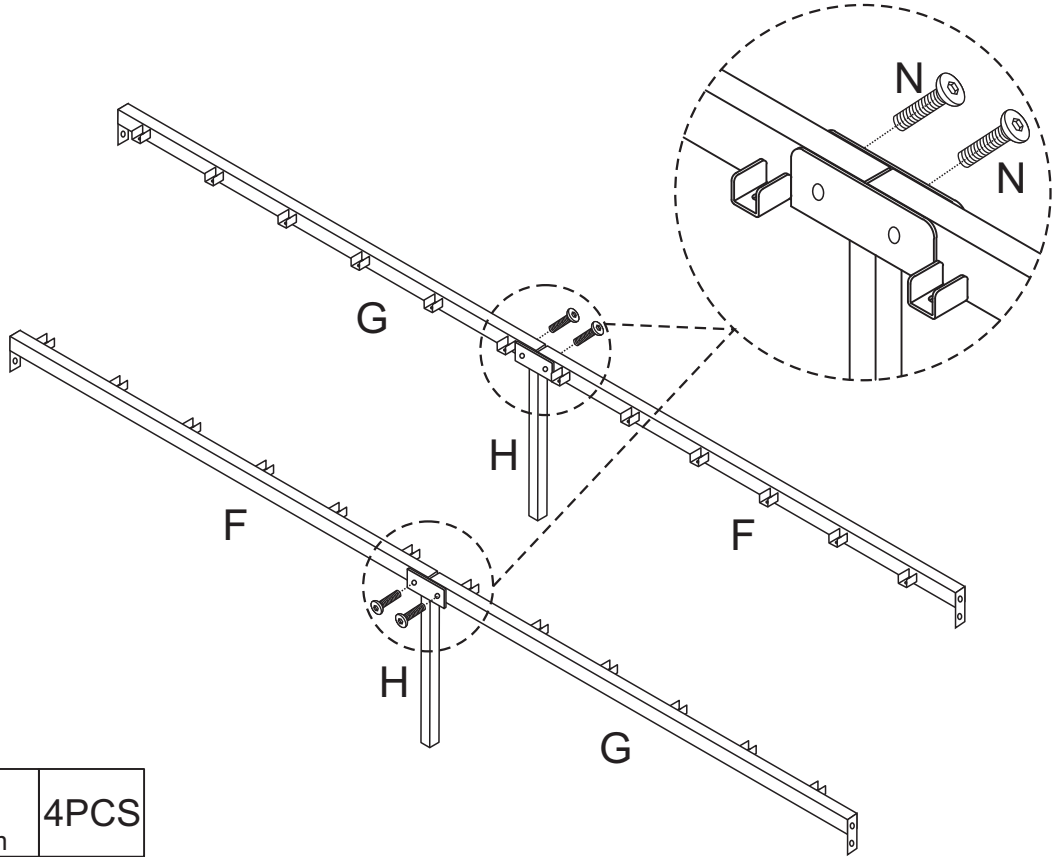
4




N		5PCS
	M8x40mm	

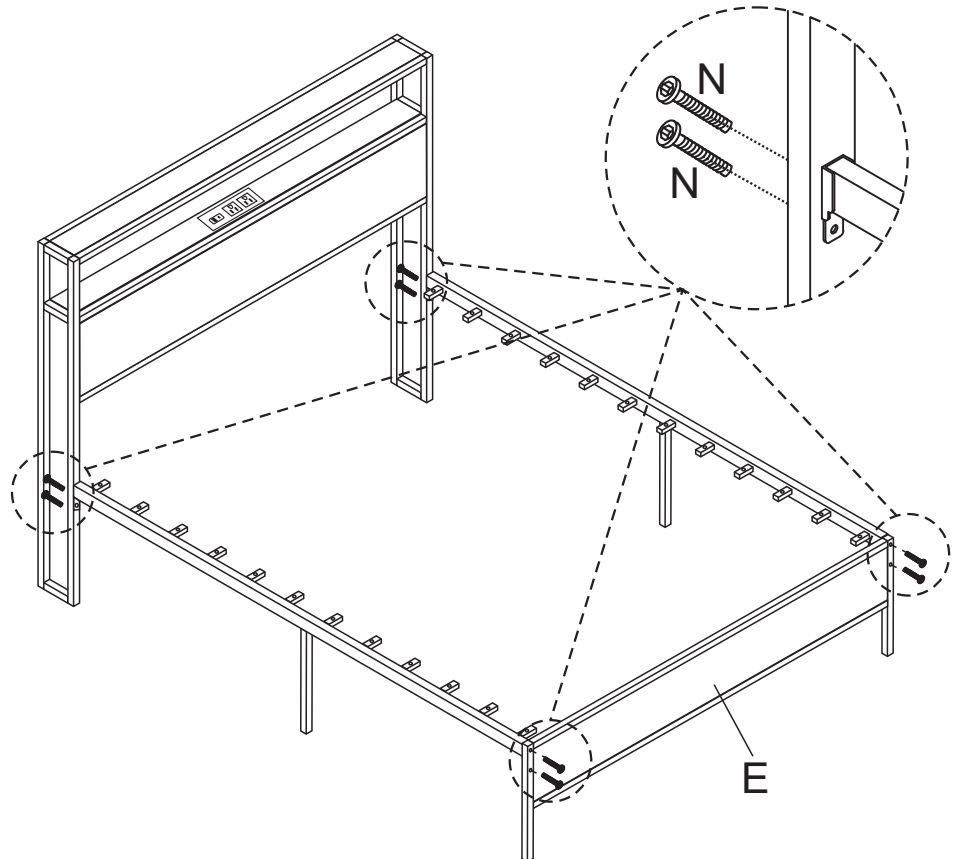
# ASSEMBLY INSTRUCTIONS


5



N		4PCS
	M8x40mm	

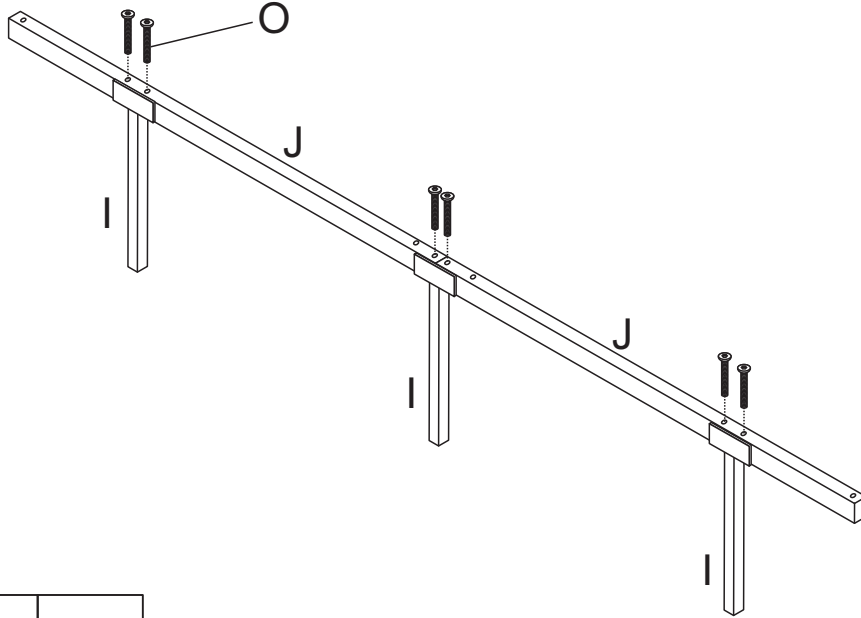
6




N		8PCS
	M8x40mm	

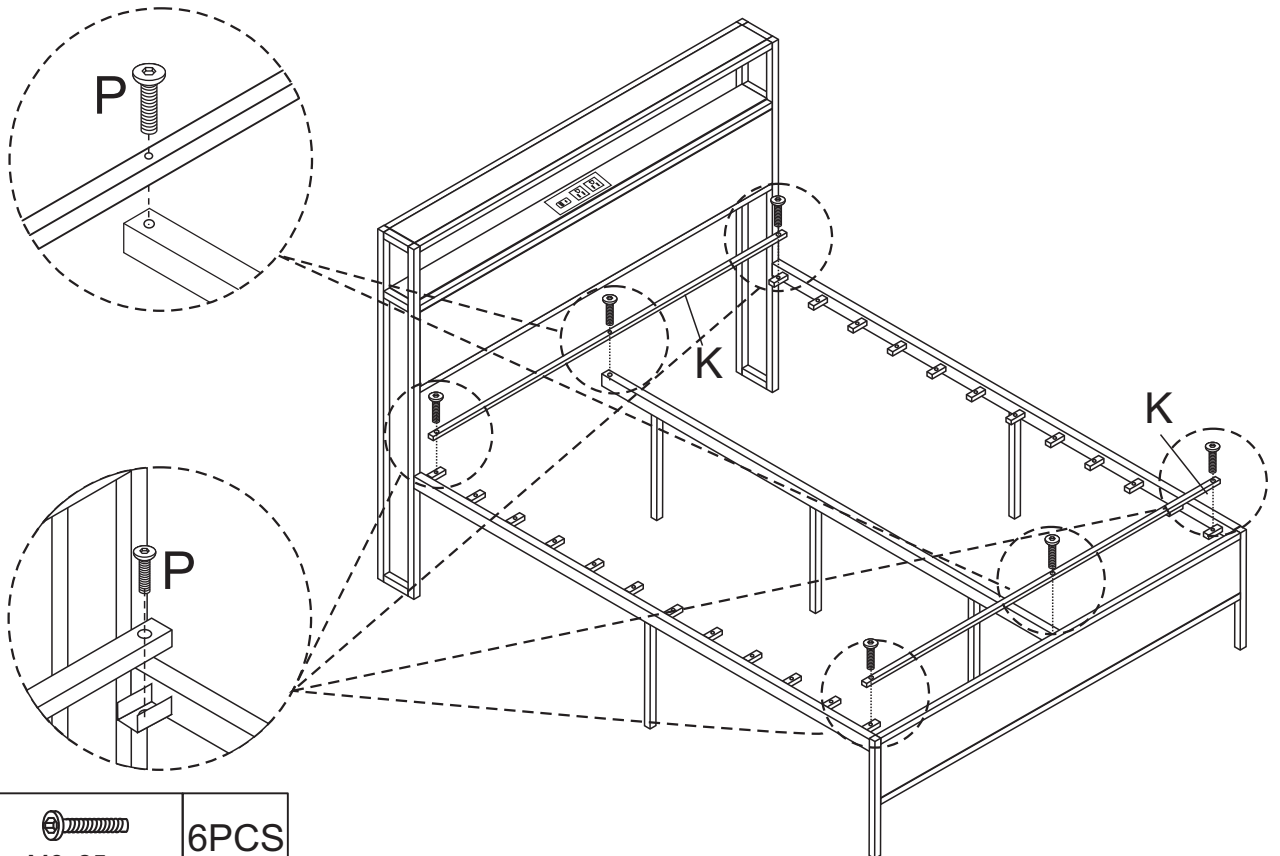
# ASSEMBLY INSTRUCTIONS


7



O		6PCS
	M6x35mm	

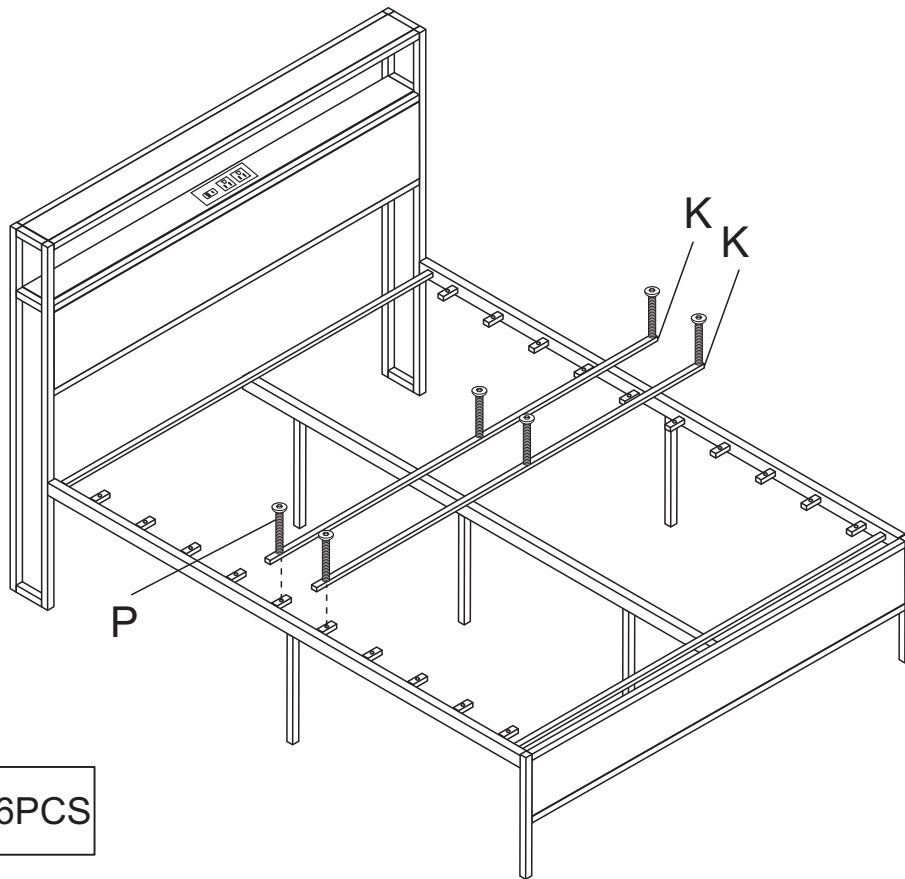
8




P		6PCS
	M6x25mm	

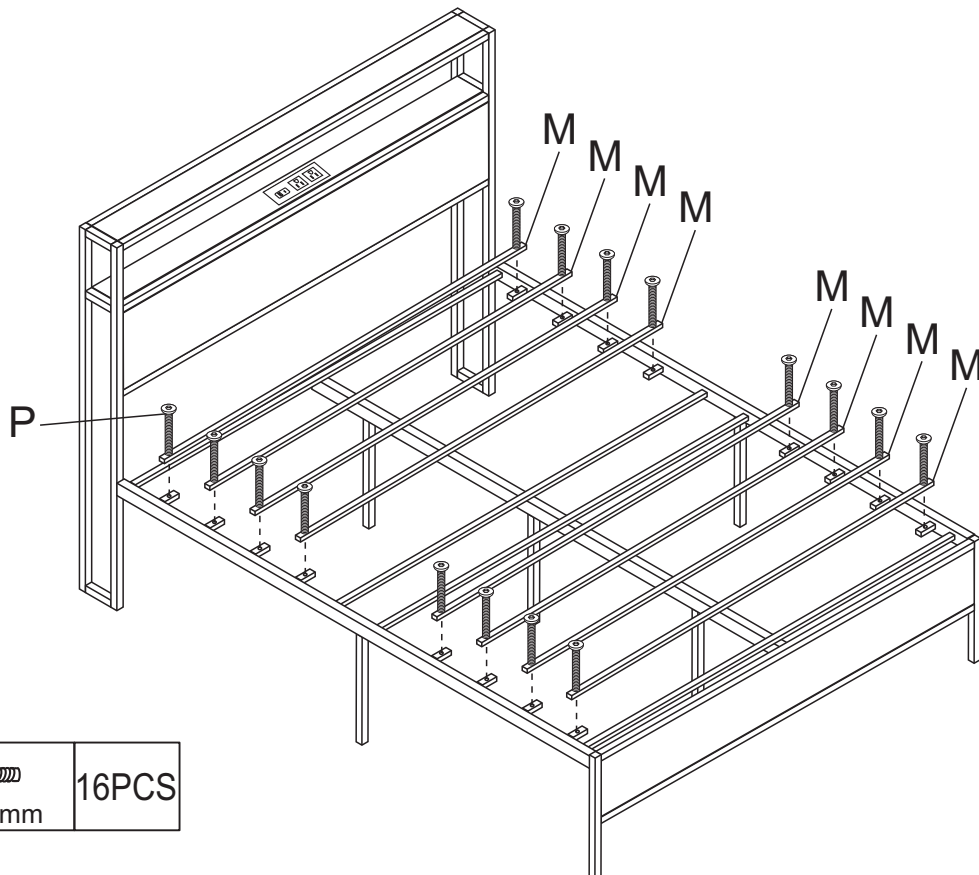
# ASSEMBLY INSTRUCTIONS


9



P		6PCS
	M6x25mm	

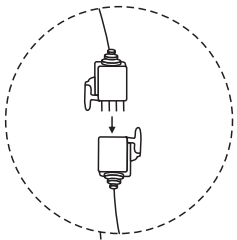
10



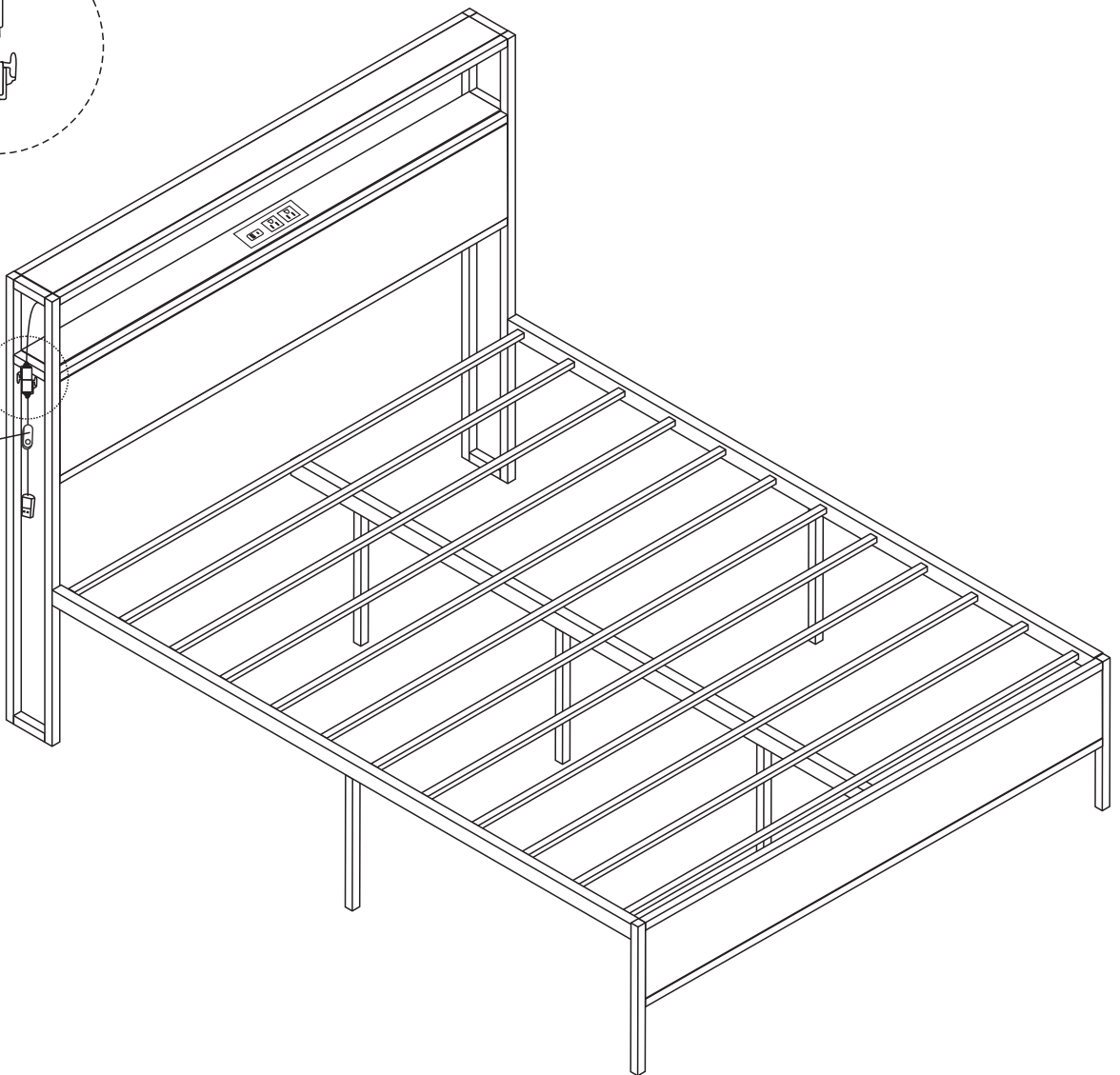
P		16PCS
	M6x25mm	

# ASSEMBLY INSTRUCTIONS

11



N



Installation Complete