

Before you start, here are some helpful advice:

1. We suggest you spend a short time reading through this leaflet and then follow the simple step instructions.
2. Owing to the size and weight of the bed, we recommend that it is assembled by two adults, on a carpeted or padded area, in the room that it is intended for. Approximate assembly time: 35 minutes.
3. Please do not use any tools other than those provided or recommended in these instructions.
4. Please do not throw away any of the packaging or the instruction until you have checked all the components and hardware and the furniture is fully assembled. Please ensure that the packaging is disposed of in a safe environmentally friendly way.
5. Assemble all components loosely until advised to tighten. Depending on use, it may be necessary to tighten the components from time to time, so please save tools that have been provided.
6. Please keep all fitting out of reach of children.

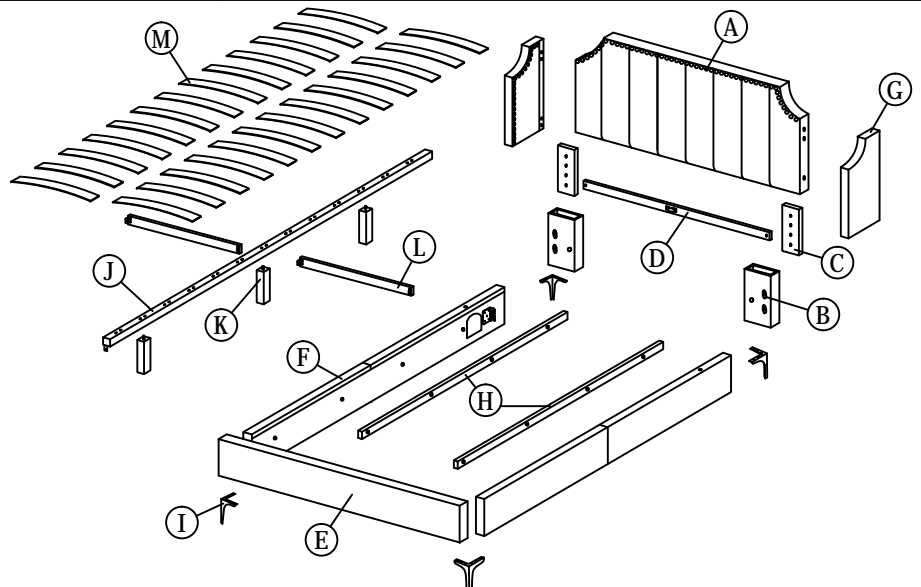


Hardware:

1		JCBC BOLT M6 x 20mm	8 PCS
2		JCBC BOLT M6 x 45mm	14 PCS
3		JCBB BOLT M8 x 40mm	6 PCS
4		JCBB BOLT M8 x 45mm	4 PCS
5		M6 SPRING WASHER	8 PCS
6		M6 FLAT WASHER	14 PCS
7		M8 SPRING WASHER	10 PCS
8		M8 FLAT WASHER	10 PCS
9		WOOD DOWEL M8 x 30mm	4 PCS
10		BED SLAT SIDE FITTER	26 PCS
11		BED SLAT CENTER FITTER	13 PCS
12		WOOD SCREW M3.5 x 16mm	8 PCS
13		WOOD SCREW M4 x 20mm	2 PCS
14		M4 ALLEN KEY (BALL SHAPE)	1 PC
15		M5 ALLEN KEY (BALL SHAPE)	1 PC

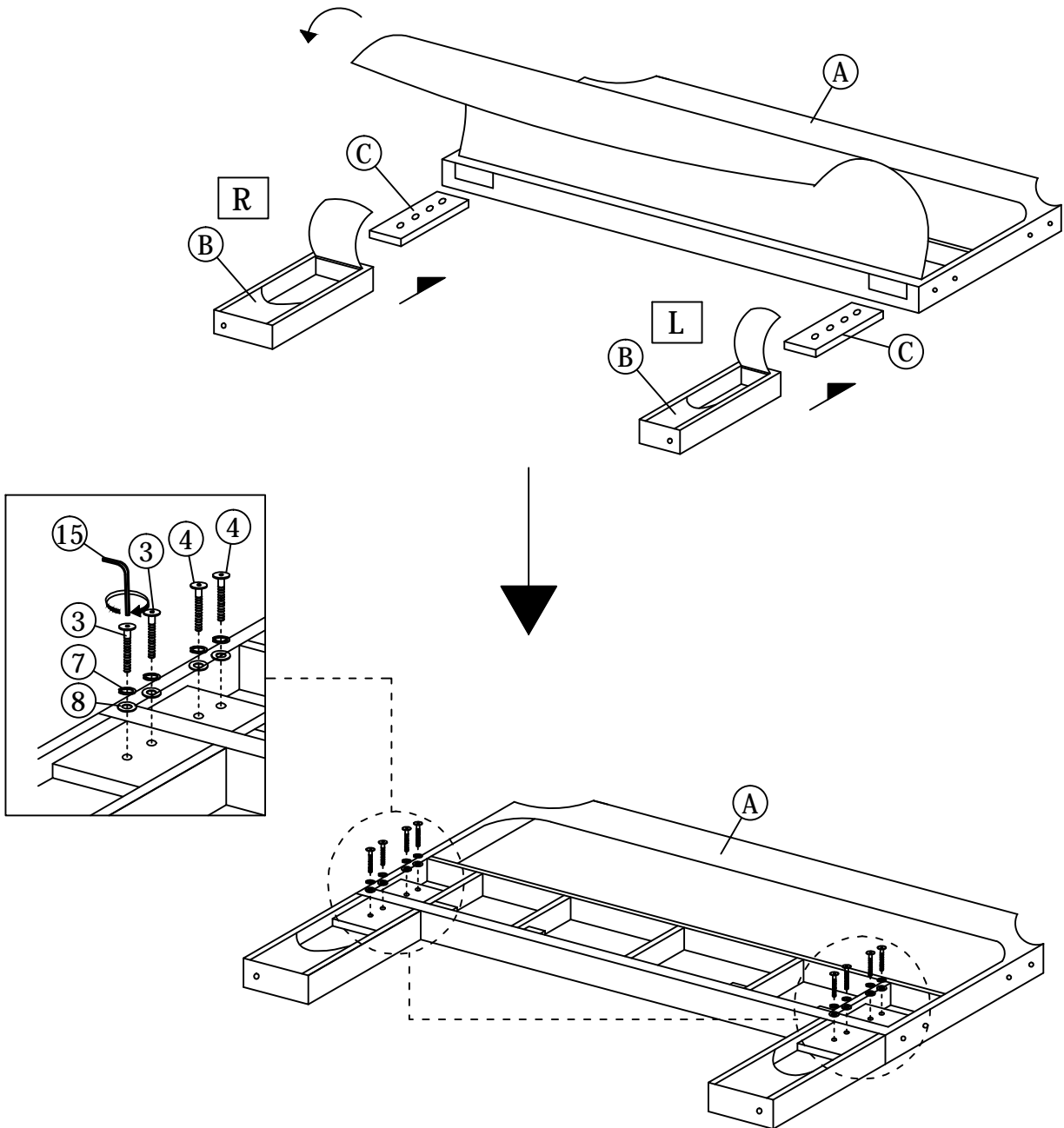
Component:





A.	HEADBOARD	x 1
B.	HEADBOARD LEG	x 2
C.	HEADBOARD SUPPORT WOOD	x 2
D.	HEADBOARD SUPPORT RAIL	x 1
E.	FOOTBOARD	x 1
F.	SIDE RAIL	x 2
G.	HEADBOARD WING	x 2
H.	SIDE RAIL SUPPORT WOOD	x 2
I.	BED LEG	x 4
J.	CENTER RAIL	x 1
K.	CENTER SUPPORT LEG	x 3
L.	CENTER SUPPORT	x 2
M.	BED SLAT	x 26




## STEP 1

1.1 Attach the **Headboard Leg (B)** & **Headboard Support Wood (C)** to the **Headboard (A)** using hardware part **BOLT (3)**, **BOLT (4)**, **SPRING WASHER (7)**, **FLAT WASHER (8)** & **ALLEN KEY (15)**.



			
3. JCBB BOLT M8 x 40mm x 4pcs	4. JCBB BOLT M8 x 45mm x 4pcs	7. M8 SPRING WASHER x 8pcs	8. M8 FLAT WASHER x 8pcs

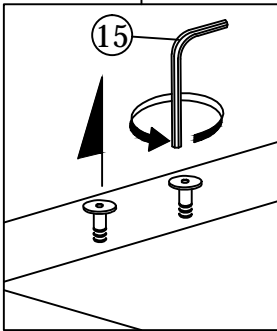
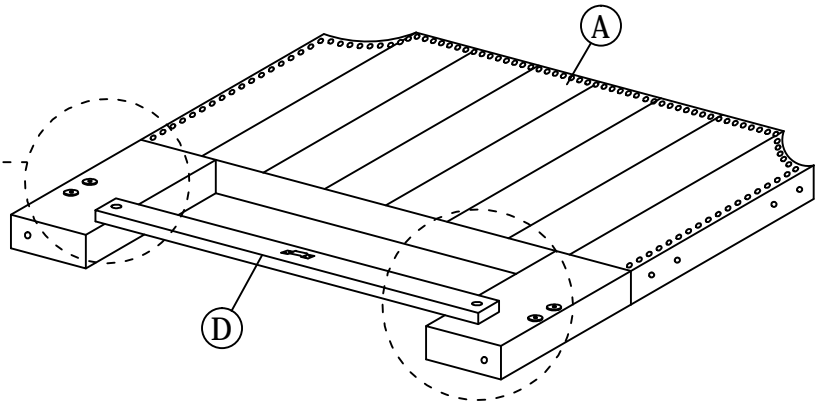
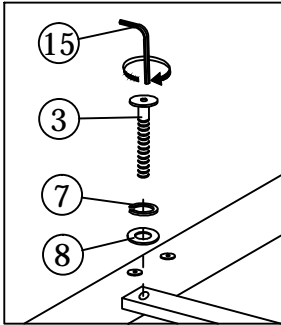

15. ALLEN KEY (BALL SHAPE) M5

## STEP 2

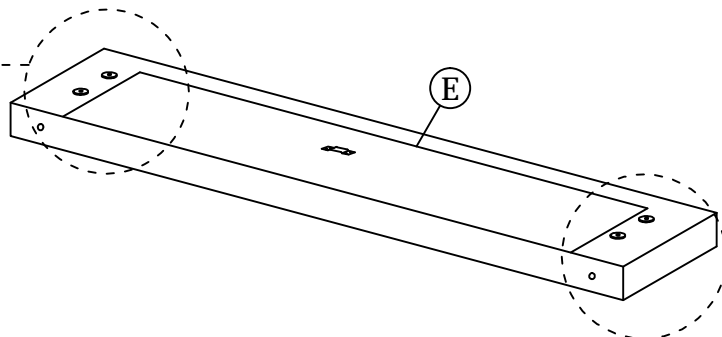
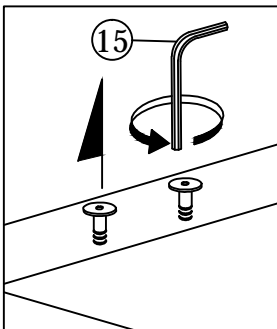
2.1 Attach the **Headboard Support Rail (D)** to the **Headboard (A)** using hardware part **BOLT (3)**, **SPRING WASHER (7)**, **FLAT WASHER (8)** & **ALLEN KEY (15)**.





2.2 Loosen the pre-inserted bolt on the **Headboard (A)** & **Footboard (E)** using hardware part **ALLEN KEY (15)**.

### STEP 2.1



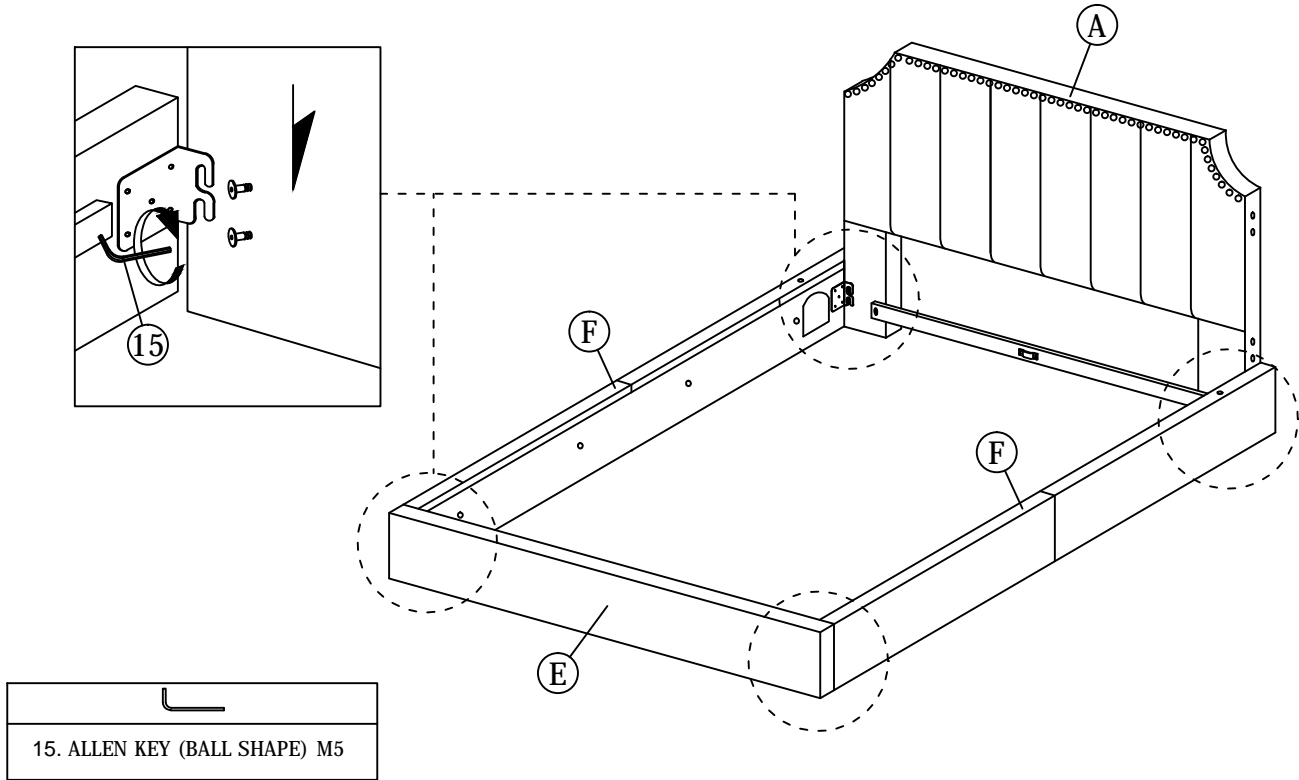
### STEP 2.2



			
3. JCBB BOLT M8 x 40mm x 2pcs	7. M8 SPRING WASHER x 2pcs	8. M8 FLAT WASHER x 2pcs	15. ALLEN KEY (BALL SHAPE) M5

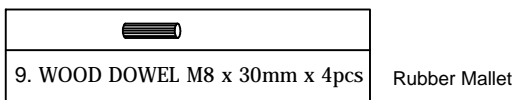
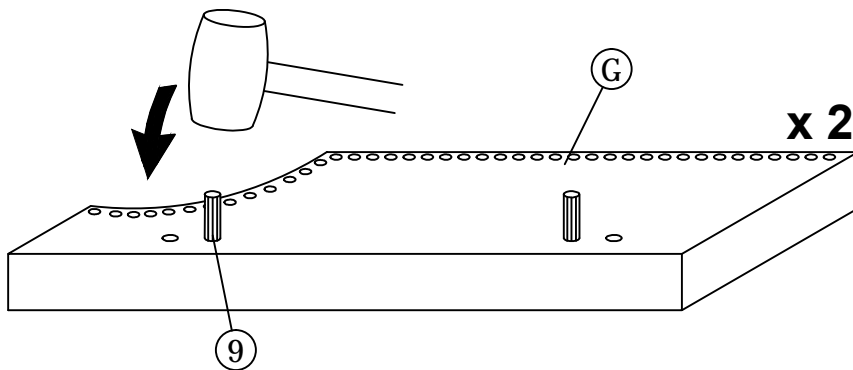
**STEP 3**

3.1 Attach the **Side Rails (F)** to the **Headboard (A)** & **Footboard (E)** using hardware part **ALLEN KEY (15)**.



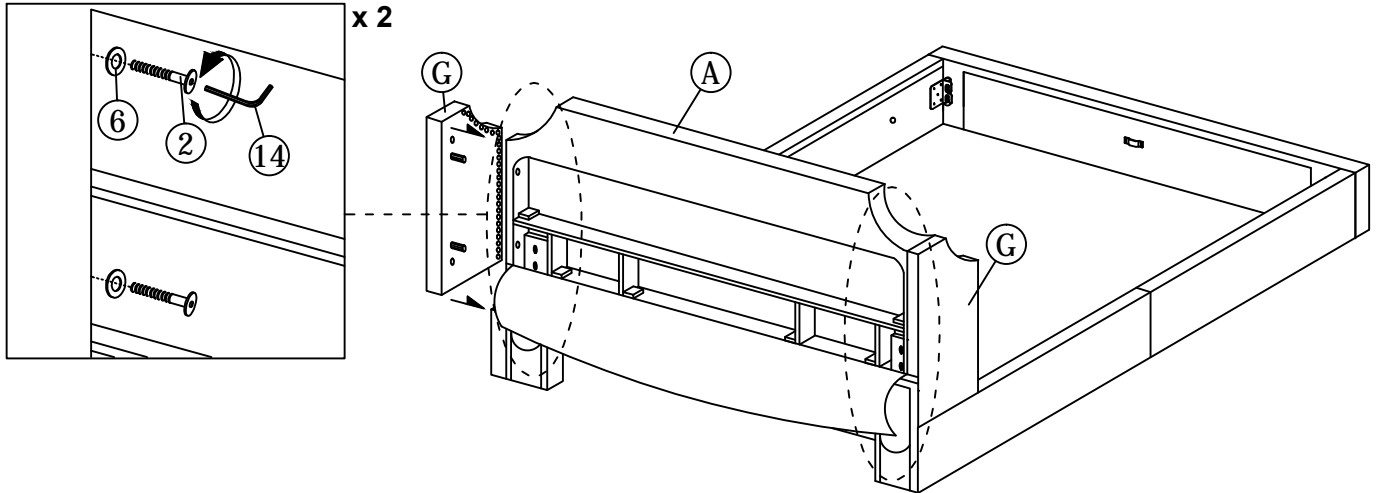
**STEP 4**




4.1 Attach the hardware parts **WOOD DOWEL (9)** to the **Headboard Wing (G)**.



**STEP 5**

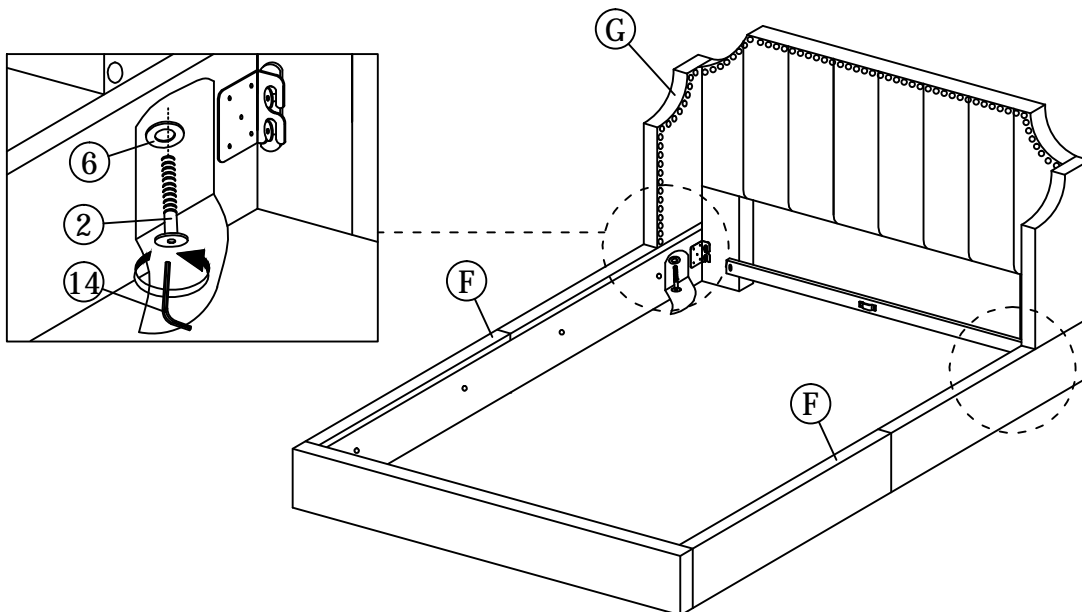
5.1 Attach the **Headboard Wing (G)** to the **Headboard (A)** using hardware parts **BOLT (2)** , **FLAT WASHER (6)** & **ALLEN KEY (14)**.






		
2. JCBC BOLT M6 x 45mm x 4pcs	6. M6 FLAT WASHER x 4pcs	14. ALLEN KEY (BALL SHAPE) M4

**STEP 6**

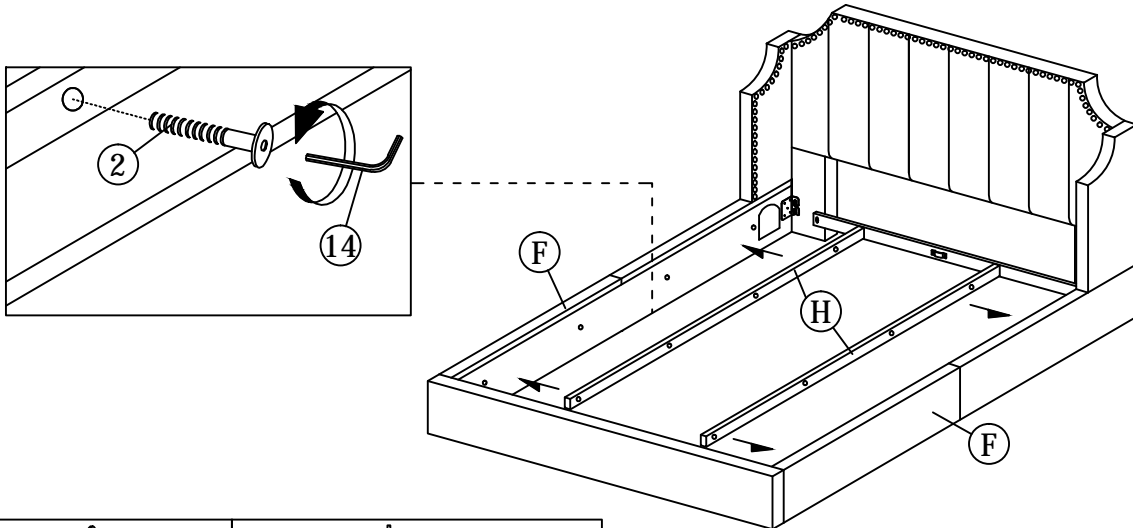
6.1 Attach the **Headboard Wing (G)** to the **Side Rail (F)** using hardware parts **BOLT (2)** , **FLAT WASHER (6)** & **ALLEN KEY (14)**.





		
2. JCBC BOLT M6 x 45mm x 2pcs	6. M6 FLAT WASHER x 2pcs	14. ALLEN KEY (BALL SHAPE) M4

**STEP 7**

7.1 Attach the **Side Rails Support Wood (H)** to the **Side Rail (F)** using hardware parts **BOLT (2) & ALLEN KEY (14)**.



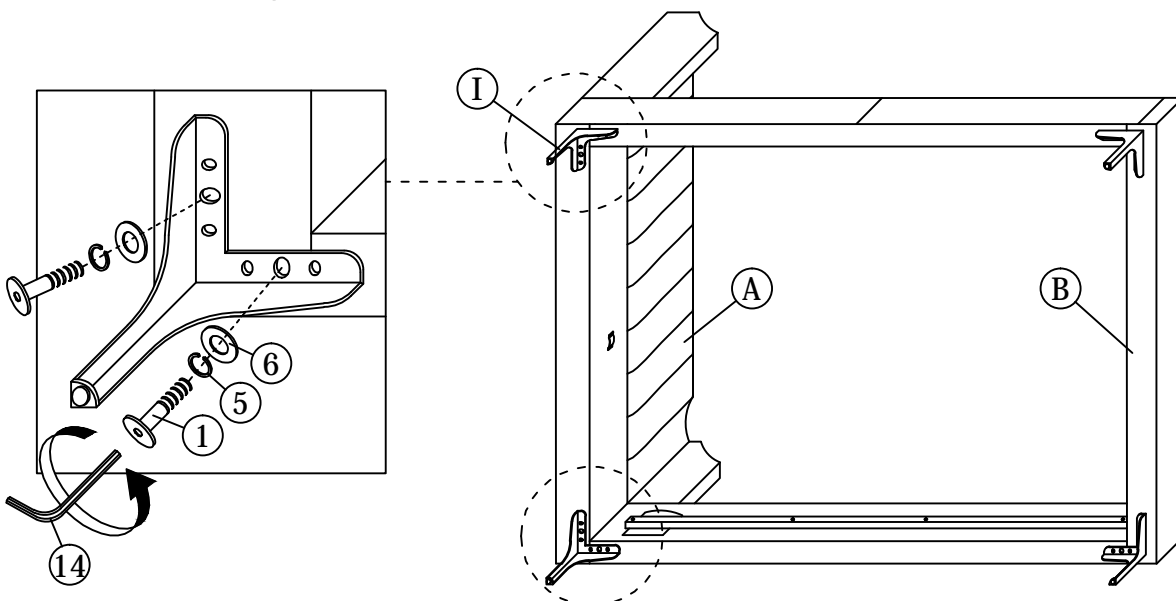
	
2. JCBC BOLT M6 x 45mm x 8pcs	14. ALLEN KEY (BALL SHAPE) M4

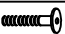

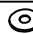

**STEP 8**

8.1 Attach the **Bed Leg (I)** to the **Headboard (A)** and **Footboard (E)** using hardware parts **BOLT (1), SPRING WASHER (5), FLAT WASHER (6) & ALLEN KEY (14)**.

**NOTE :**

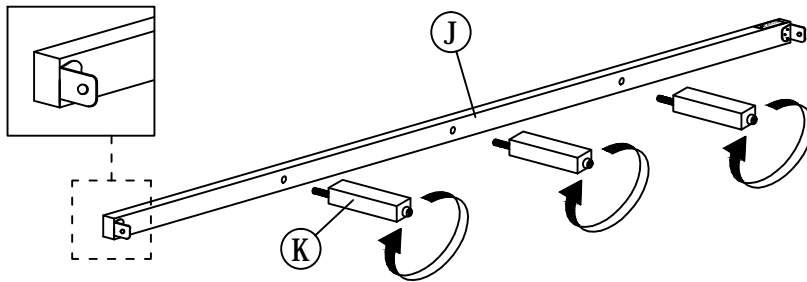
**Make sure the floor is clean and smooth, when put down the bed to prevent scratches. (Need two men to lift)**



			
1. JCBC BOLT M6 x 20mm x 8pcs	5. M6 SPRING WASHER x 8pcs	6. M6 FLAT WASHER x 8pcs	14. ALLEN KEY (BALL SHAPE) M4

## STEP 9

9.1 Fasten **Center Support Leg (K)** to **Center Rail (J)** attach by screwing the protruding nut into the corresponding holes.

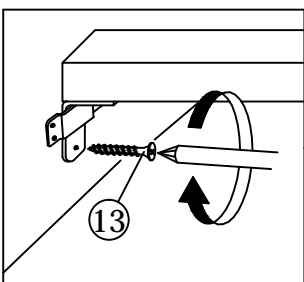


## STEP 10

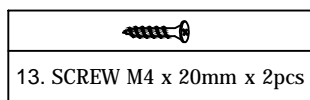
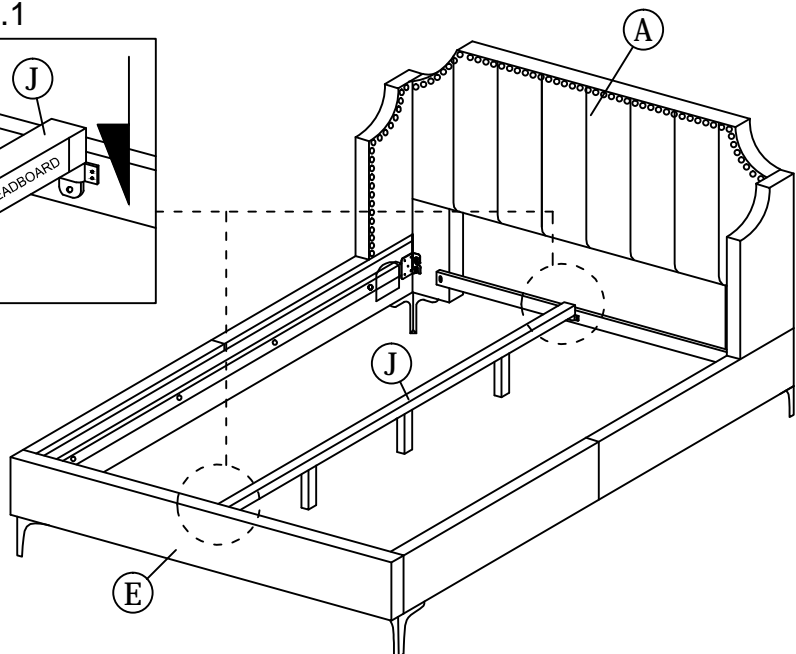
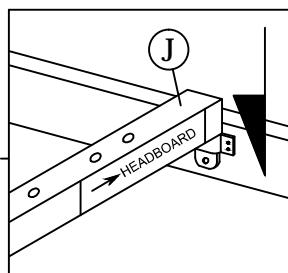
10.1 Make sure the sticker "**HEADBOARD**" faced to **Headboard (A)**

10.2 Locate **Center Rail (J)** into the corresponding brackets inside of **Headboard (A)** and **Footboard (E)** using hardware parts **WOOD SCREW (13)**.

### STEP 10.2



### STEP 10.1

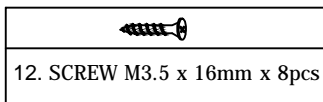
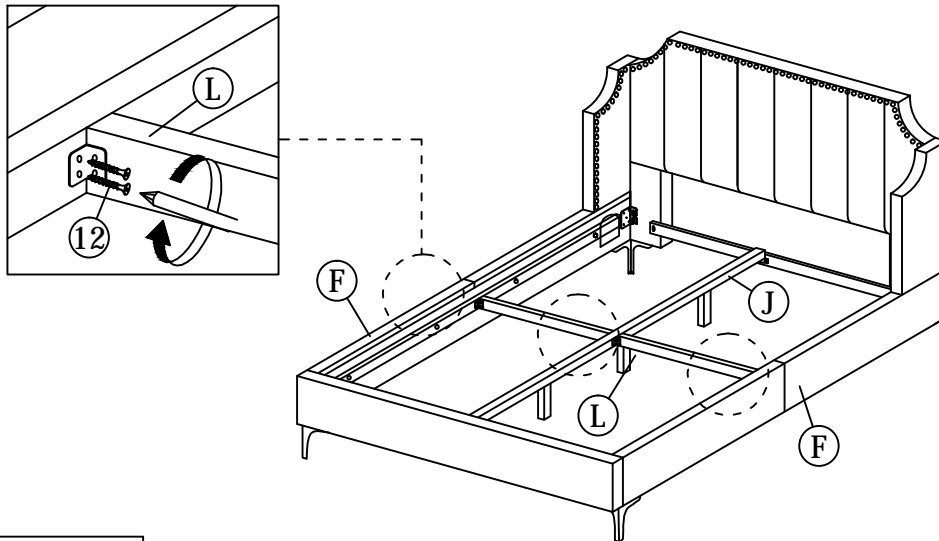


13. SCREW M4 x 20mm x 2pcs

Screw Driver

## STEP 11

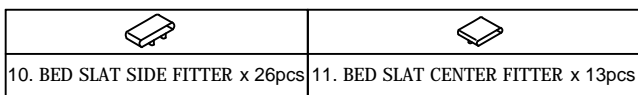
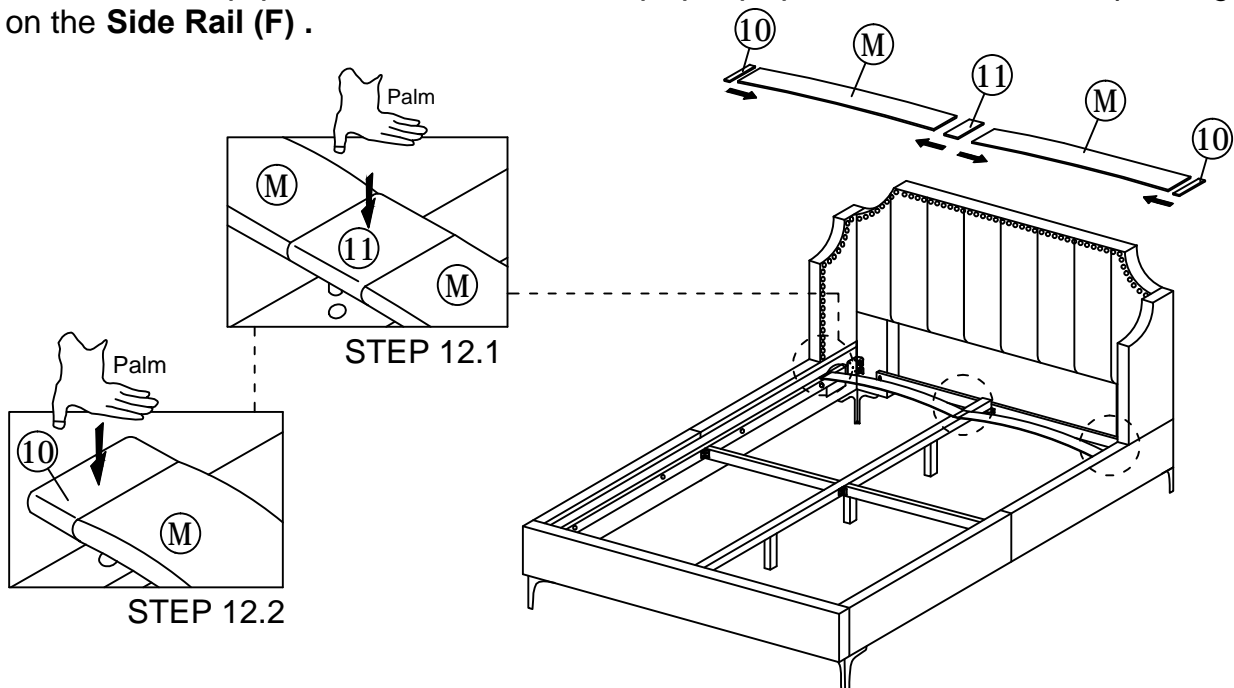
11.1 Insert and secure the **Center Support (L)** to the **Center Rail (J)** & **Side Rail (F)** using hardware parts **WOOD SCREW (12)**.



Screw Driver

## STEP 12

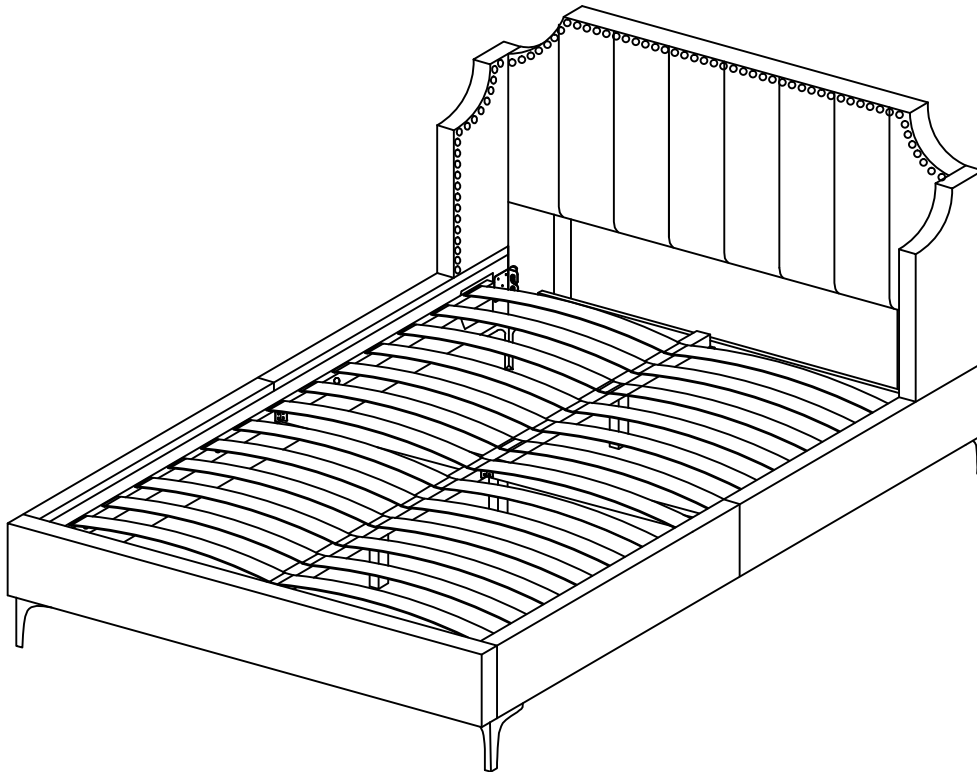
12.1 Insert the **Slats (M)** into the end **SLAT CAP (10)** & **(11)** and fix it to the corresponding holes on the **Side Rail (F)**.



---

## STEP 13

13.1 Carefully position the assembled bed to the desired location by four adults.



Assembly is complete. The bed is ready to use now!

NOTE: Hardware may loosen over time. Periodically check that all connections are tight.