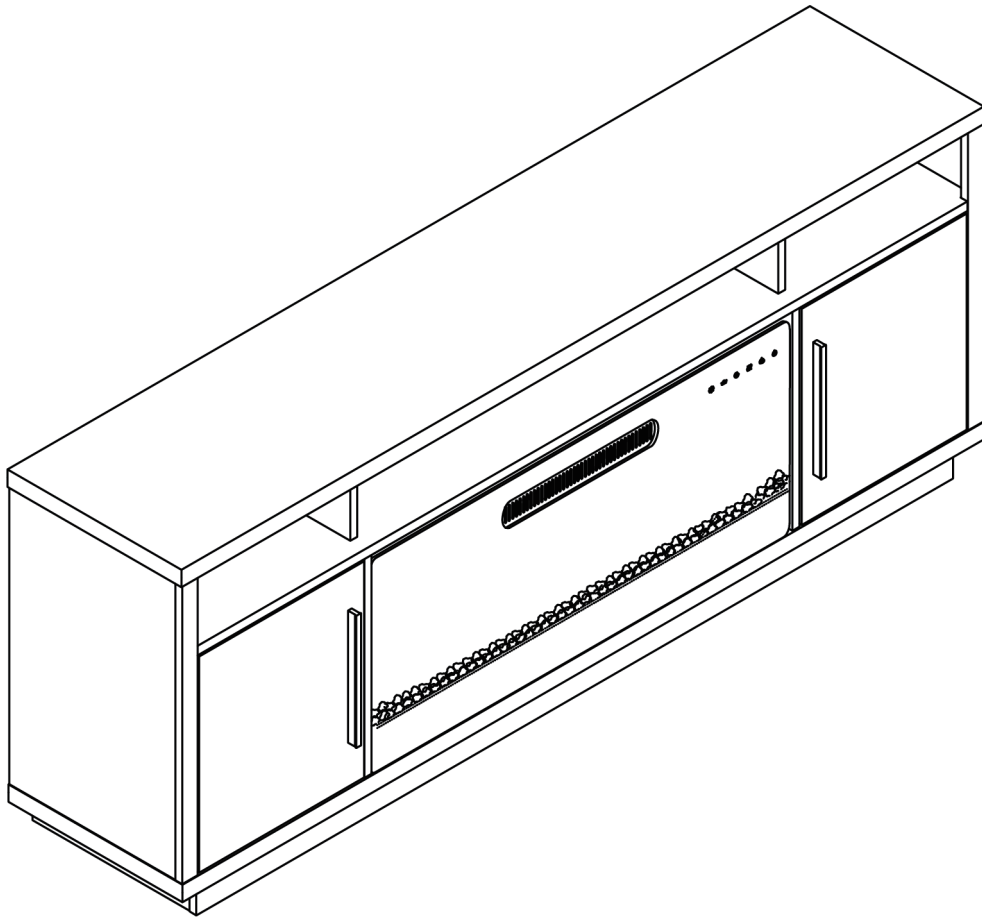


# Alfi Pet TV Fire Stand



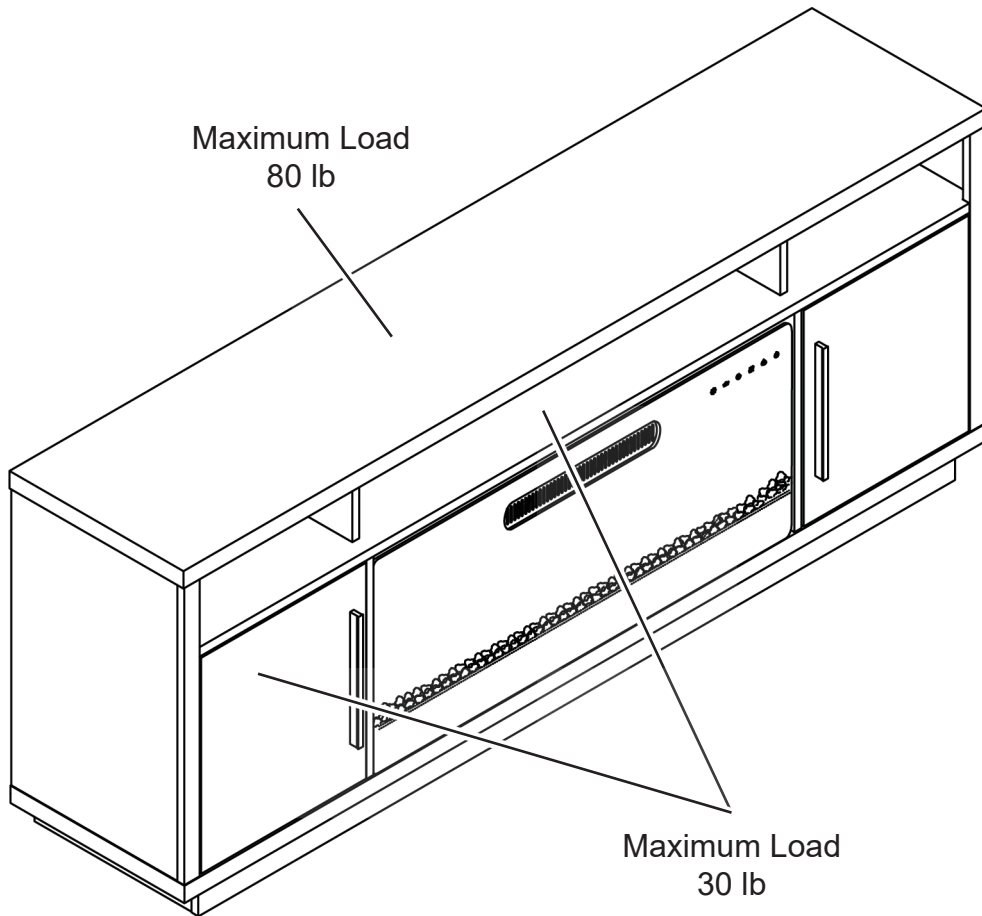


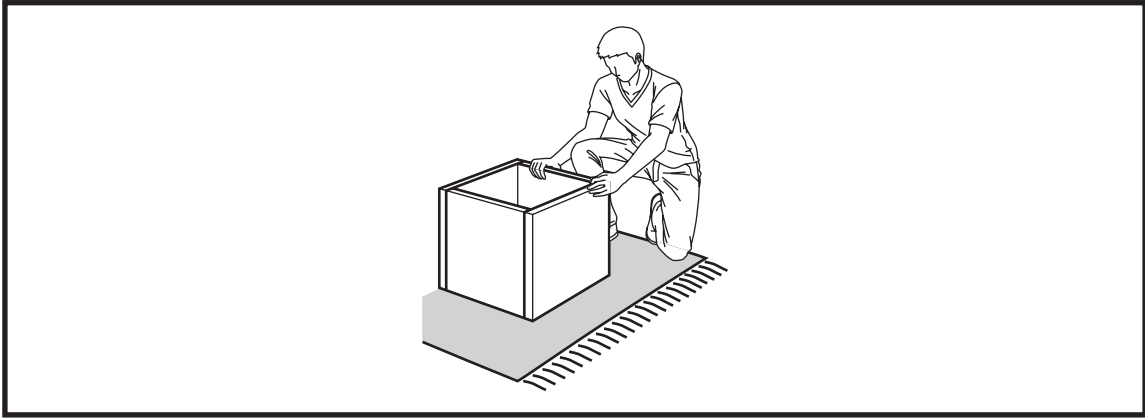
Estimated time for assembly:

**90 mins**



Weight limitations are as follows:

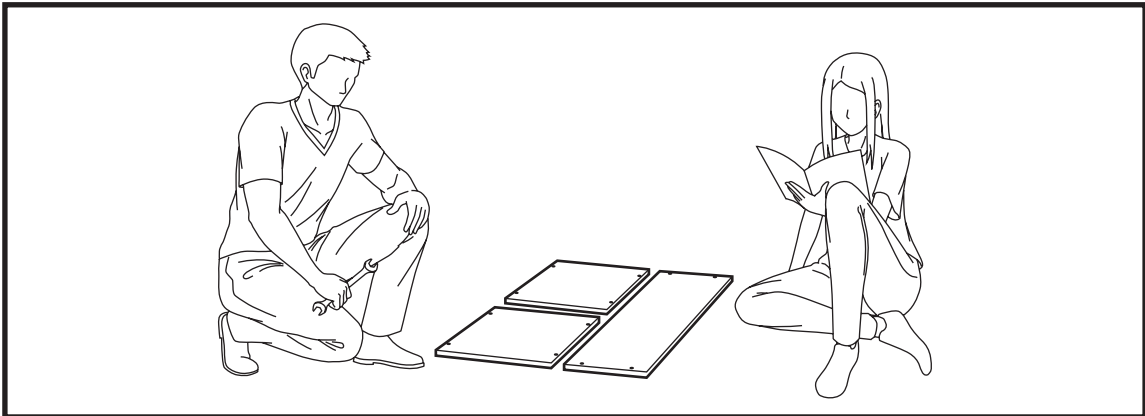




Assemble the furniture on an empty carton, carpet, or rug to prevent scratches or damage.

For safety, please keep pets and children away from the assembly area.

Ensure the product is fully assembled before use. If you are missing any hardware or products, do not use it until you have restored the missing parts.



This furniture requires 2 people for assembly.

Read this instruction manual prior to assembly to familiarize yourself with the various steps.

Lay out all components and hardware separately on a flat surface and make sure that no parts are missing or damaged before assembly. Do not destroy or discard any packaging until you are certain that you have all the necessary parts for assembly.

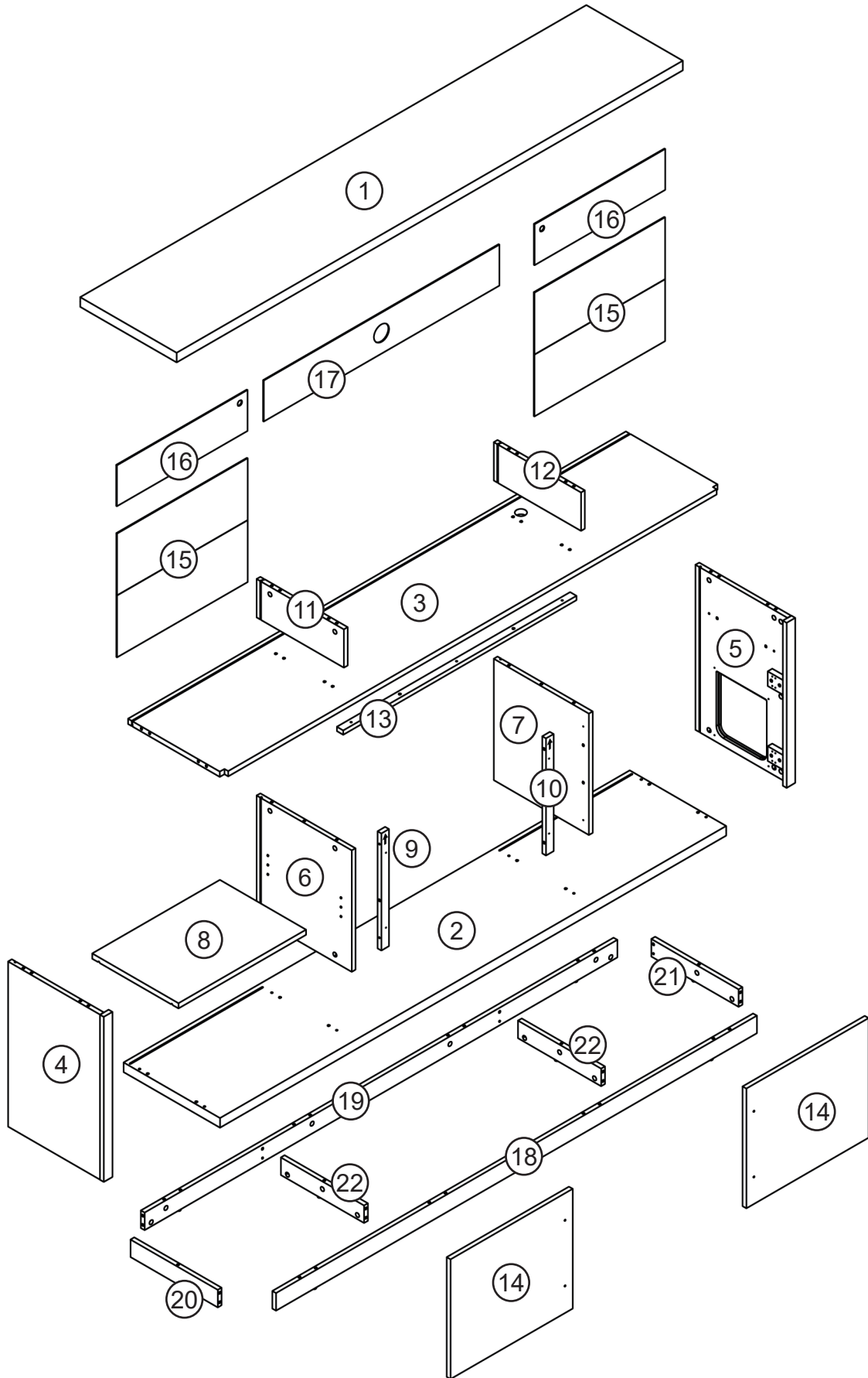
Hand tight all hardware and careful not to over tighten to avoid damaging the product.

## **CAUTION**

There are small components used in the construction of this product. Loose items should be kept away from pets and children to avoid a choking hazard.

Keep all plastic bags and packaging film away from pets and children to avoid suffocation.

# PACKAGE CONTENTS

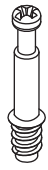


# PACKAGE CONTENTS

CODE	DESCRIPTION	QTY
1	Top Panel	1
2	Bottom Panel	1
3	Center Panel	1
4	Left Lateral Panel	1
5	Right Lateral Panel	1
6	Left Medial Panel	1
7	Right Medial Panel	1
8	Storage Shelf Panel	1
9	Left Surround Panel	1
10	Right Surround Panel	1
11	Left Seperator Panel	1
12	Right Seperator Panel	1
13	Top Surround Panel	1
14	Cabinet Door	2
15	Bottom Back Panel	2
16	Upper Back Panel	2
17	Center Back Panel	1
18	Front Base Strip	1
19	Back Base Strip	1
20	Left Base Strip	1
21	Right Base Strip	1
22	Support Base Strip	2

# PACKAGE CONTENTS

(A)



44x + 4x

(B)



Ø15 x 11

44x + 4x

(C)



Ø8 x 30

42x + 4x

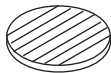
(D)



Ø8 x 20

6x

(E)



50x

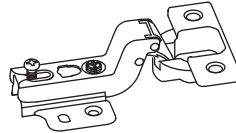
(F)



Ø3.5 x 14

28x + 2x

(G)



4x

(H)



Ø6 x 48

4x

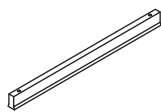
(J)



M4

1x

(K)



L=250mm

2x

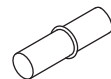
(L)



5/32" x 22

4x

(M)



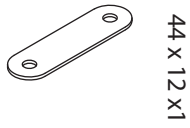
4x



Install all hardware perpendicular to the opening.

# PACKAGE CONTENTS

(N)



4x

(O)



16x

(P)



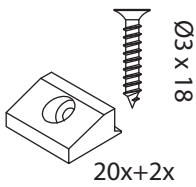
4x

(Q)

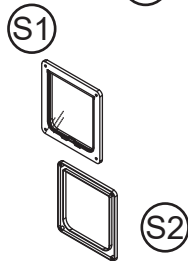


7x

(R)



(S)



(T)



2x

(U)



2x

(V)



2x

(W)



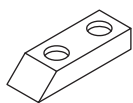
2x

(X)



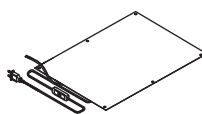
4x

(Y)



1x

(AA)



1x

(BB)

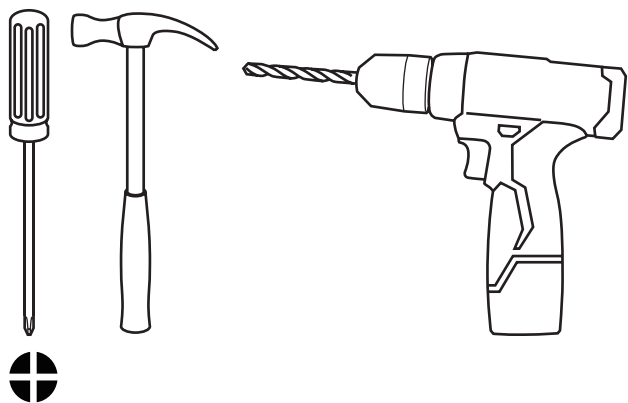


4x



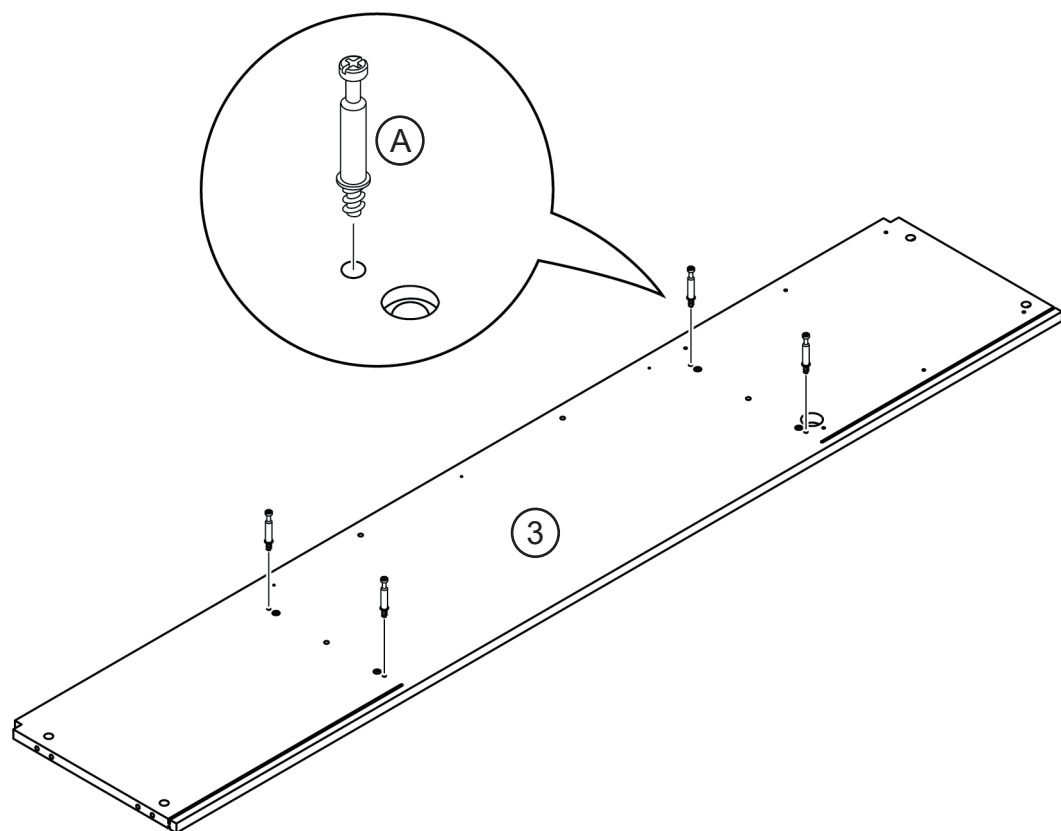
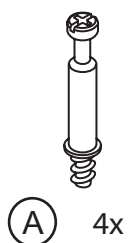
Install all hardware perpendicular to the opening.

Required tools for assembly (Not included)



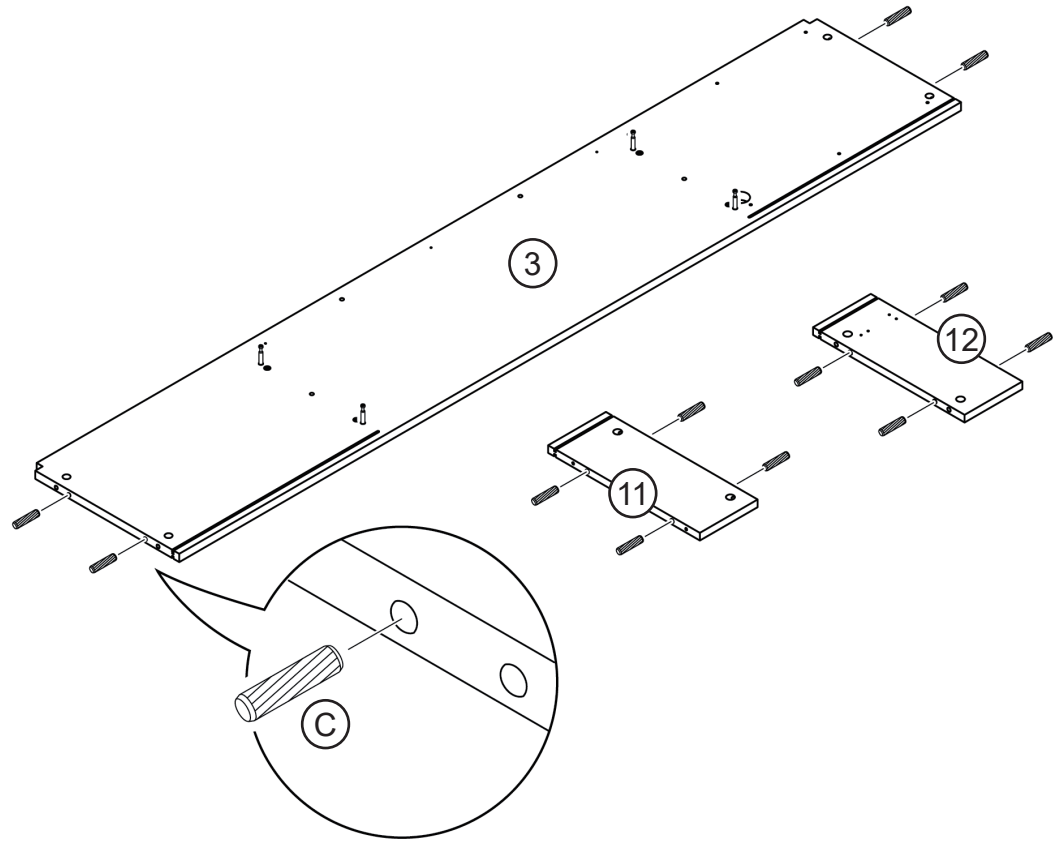
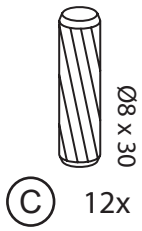
1

Attach cam bolts to the center panel (3).



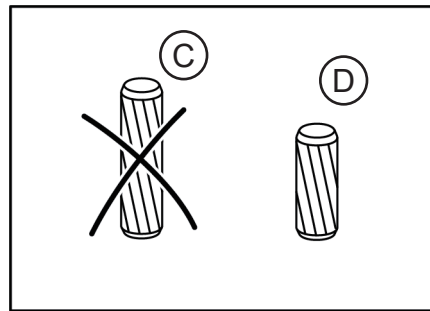
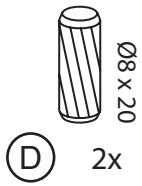
# 2

Insert wood dowels to the center panel (3) and separator panels (11, 12).

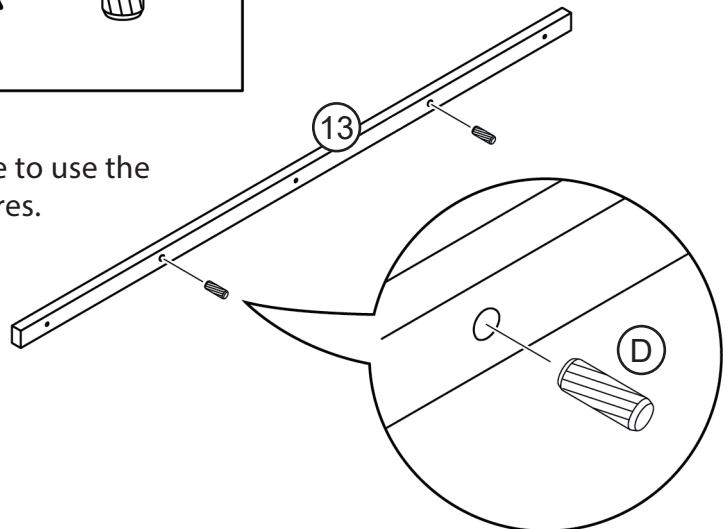


# 3

Insert short wood dowels to the top surround panel (13).

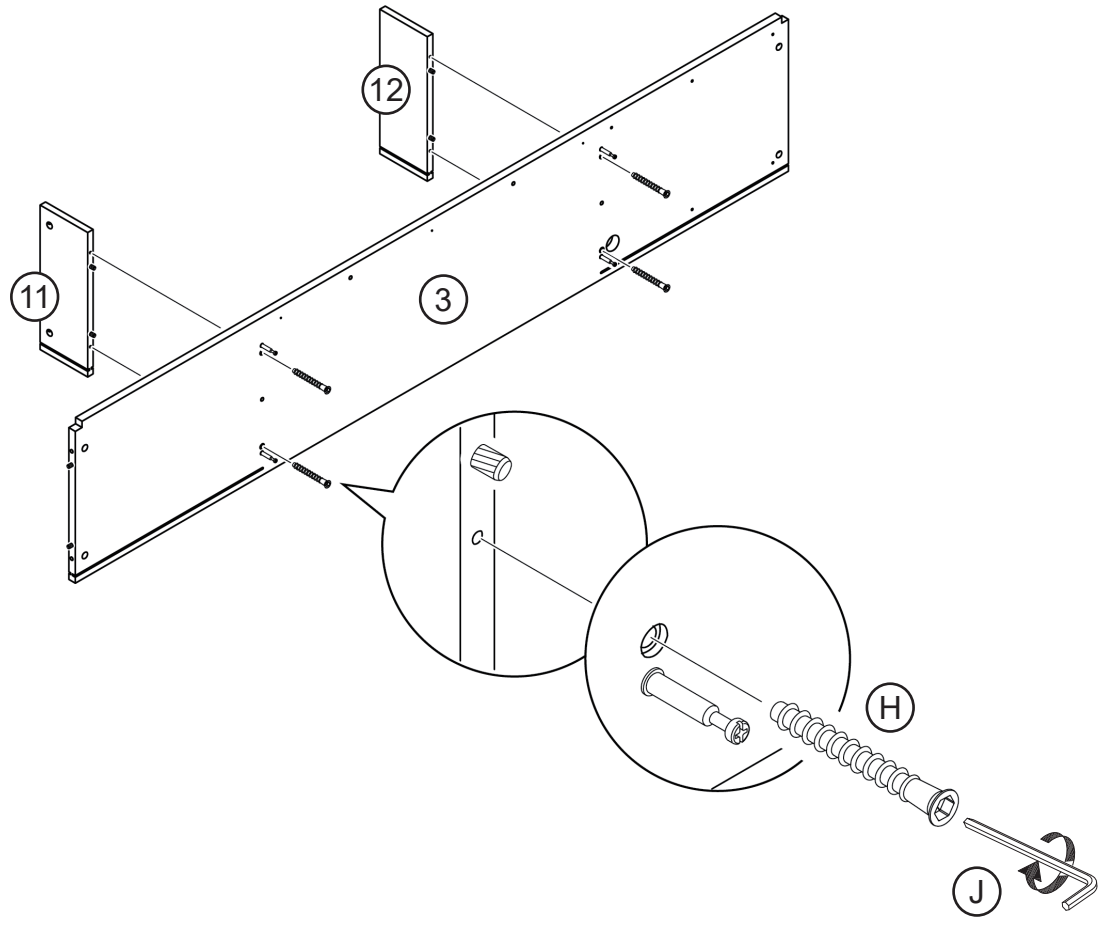
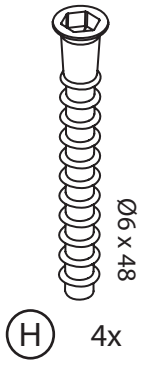


Note: Make sure to use the correct hardware.



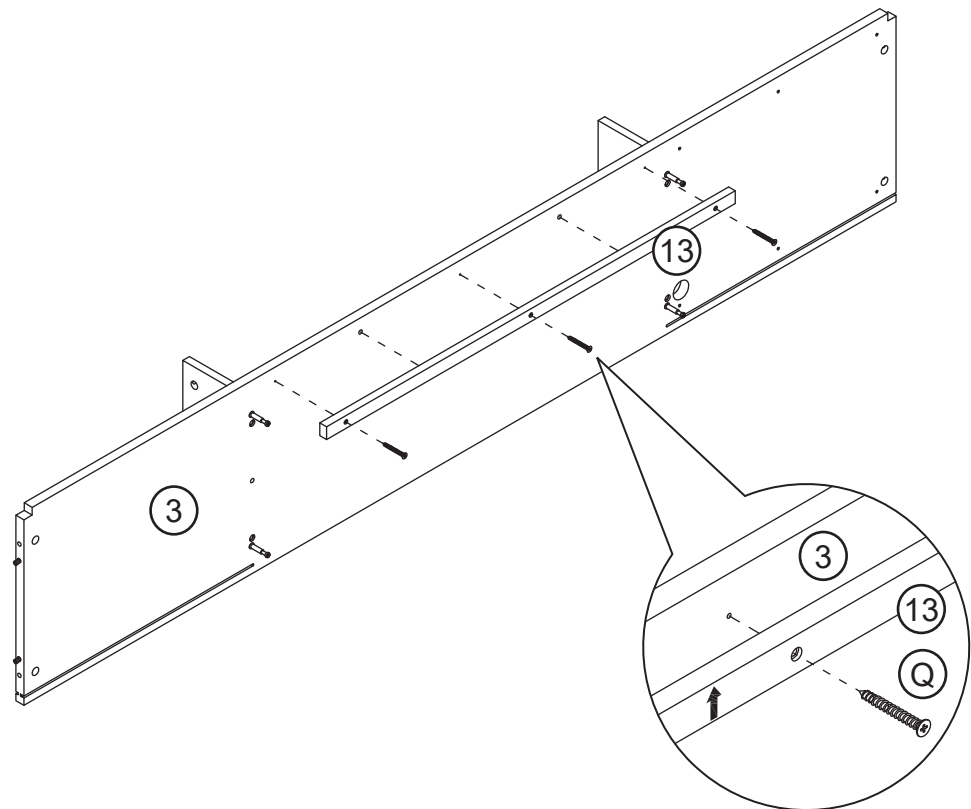
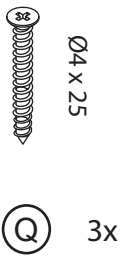
# 4

Attach separator panels (11, 12) to the center panel (3).



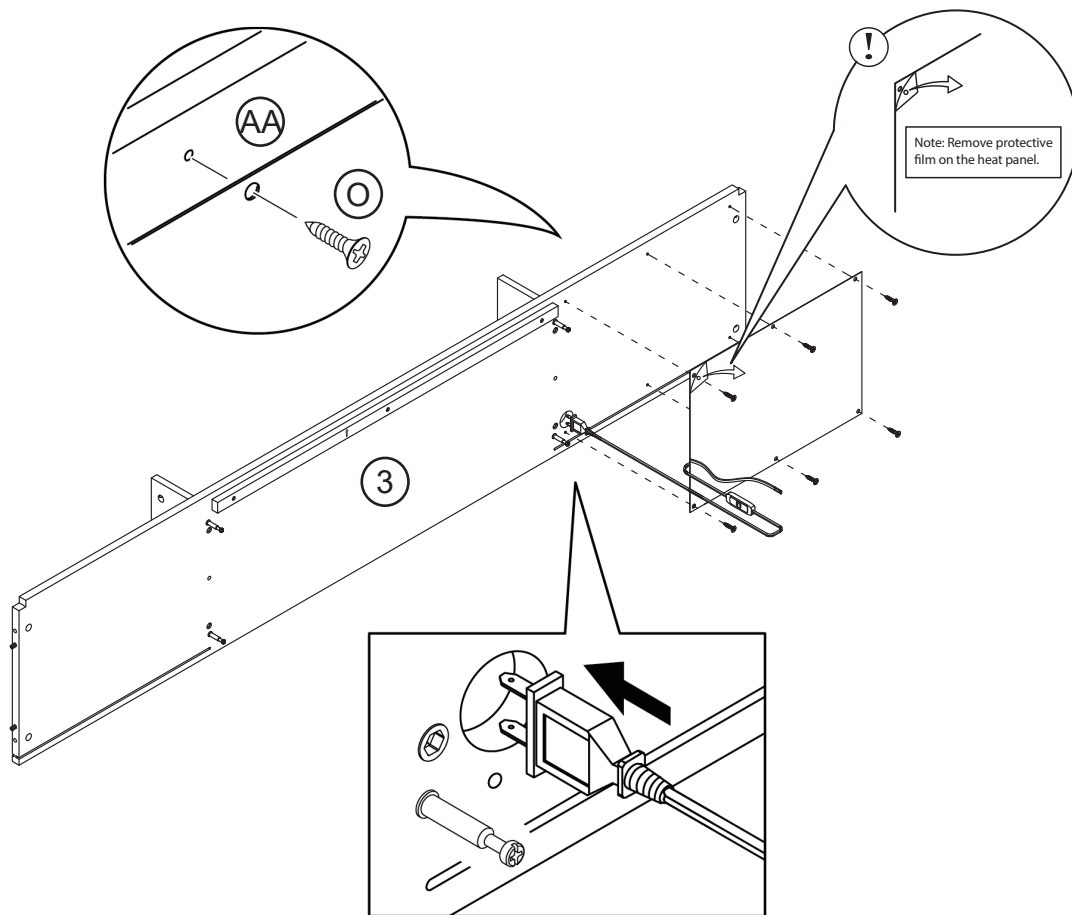
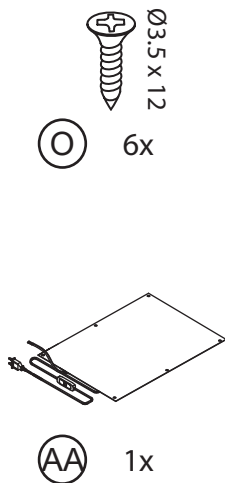
# 5

Attach the top surround panel (13) to the underside of the center panel (3).



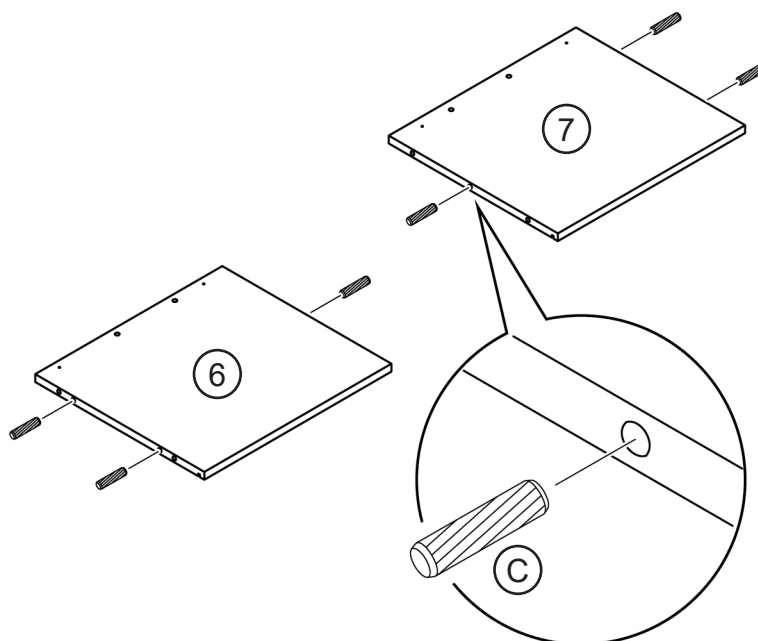
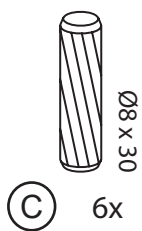
# 6

Attach the heat panel to the underside of the center panel (3), and pass the electric plug through the hole opening.



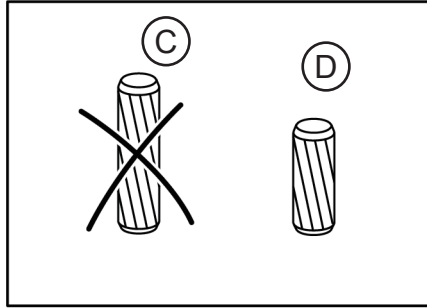
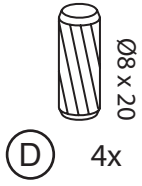
# 7

Insert wood dowels to the medial panels (6, 7).

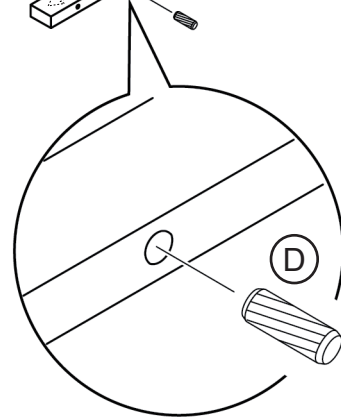
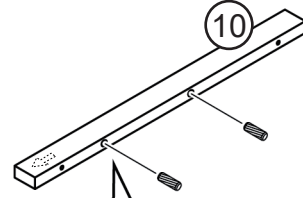
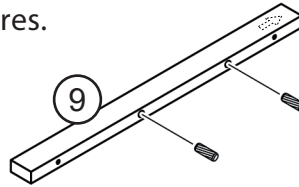


# 8

Insert short wood dowels to the surround panels (9, 10).

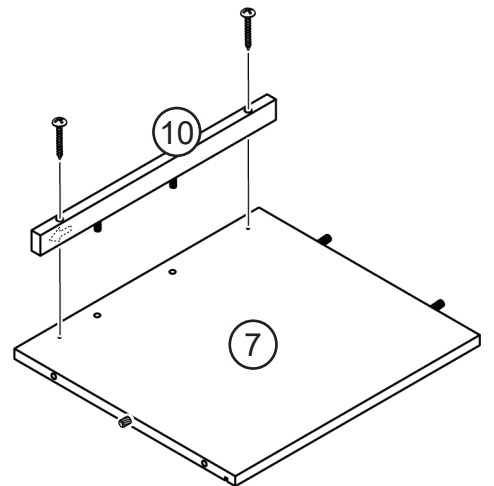
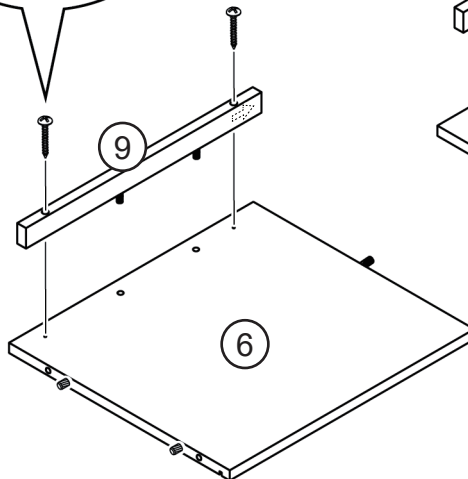
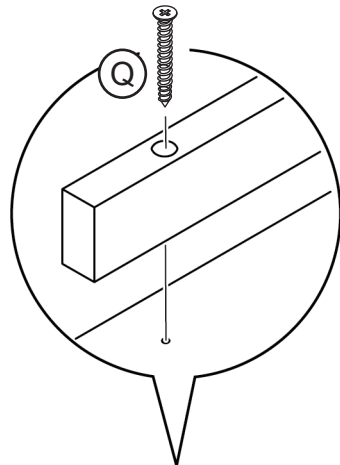
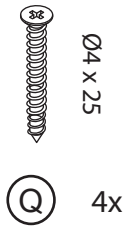


Note: Make sure to use the correct hardware.



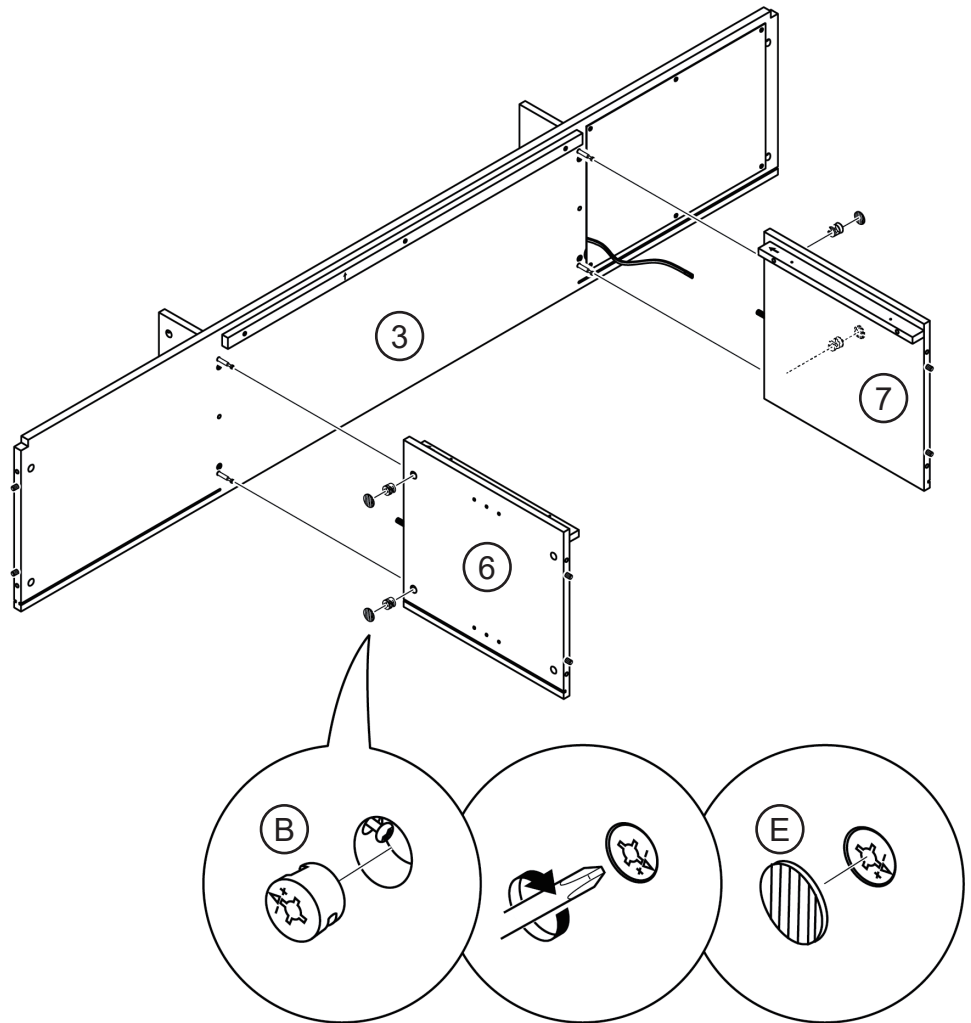
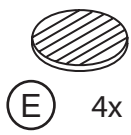
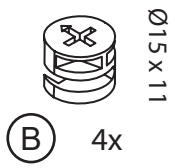
# 9

Assemble surround panels (9, 10) to the medial panels (6, 7).



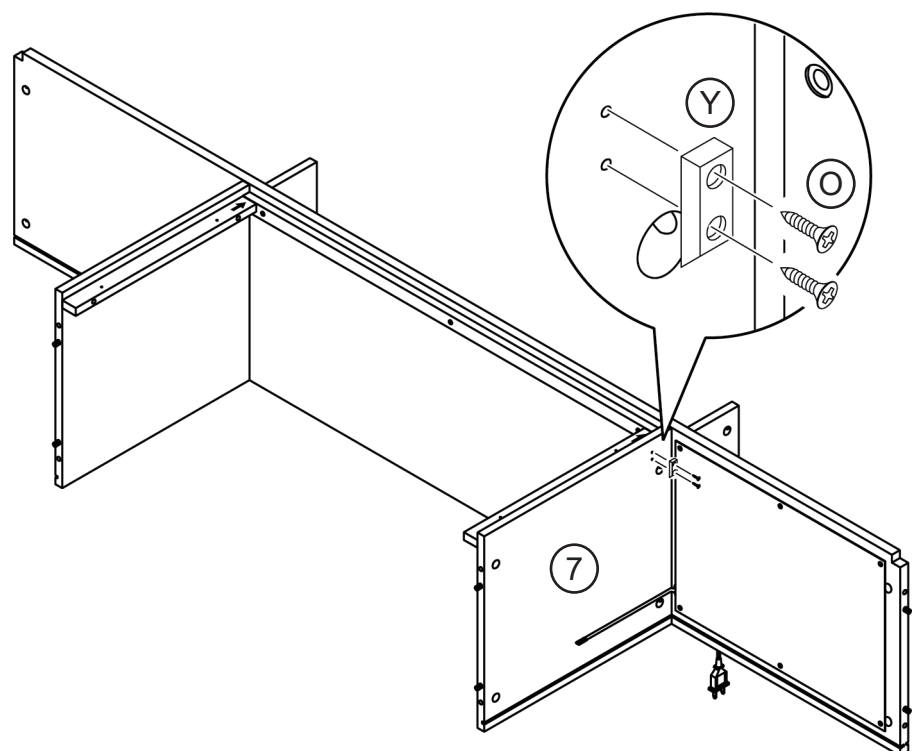
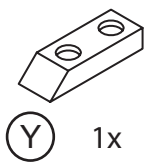
# 10

Assemble medial panels (6, 7) to the center panel (3).



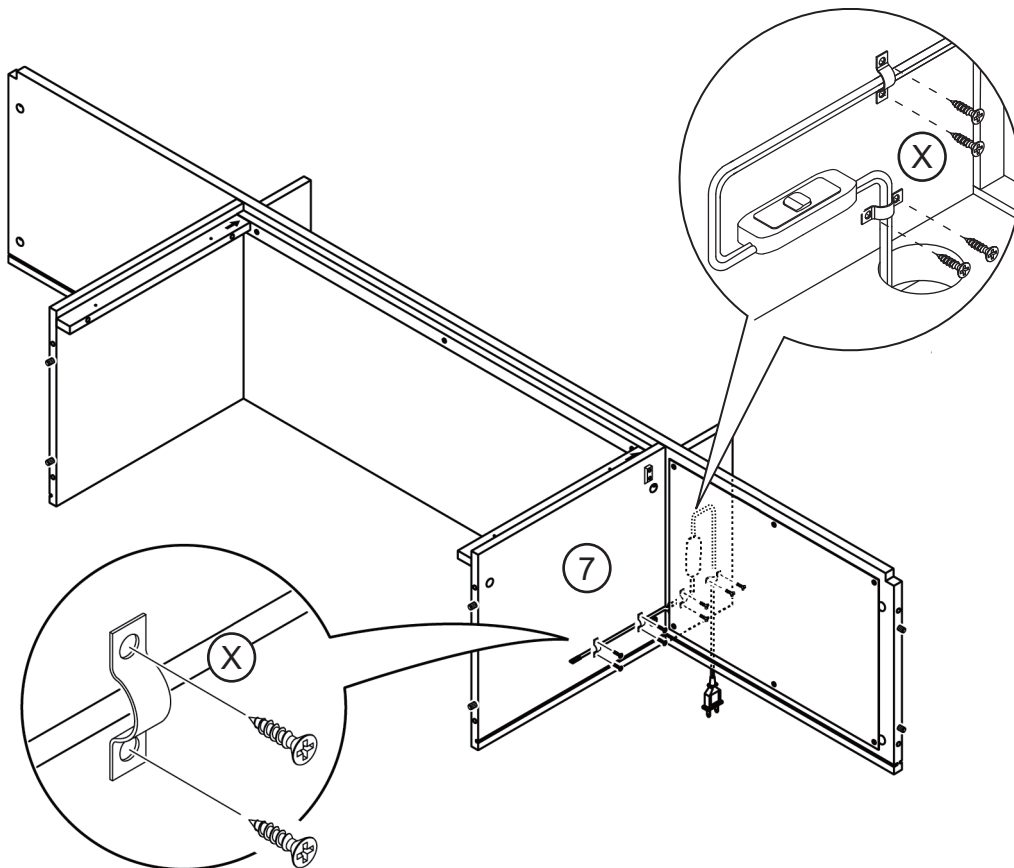
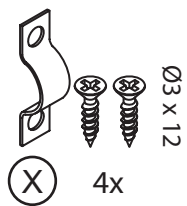
# 11

Attach door stop to the right medial panel (7).



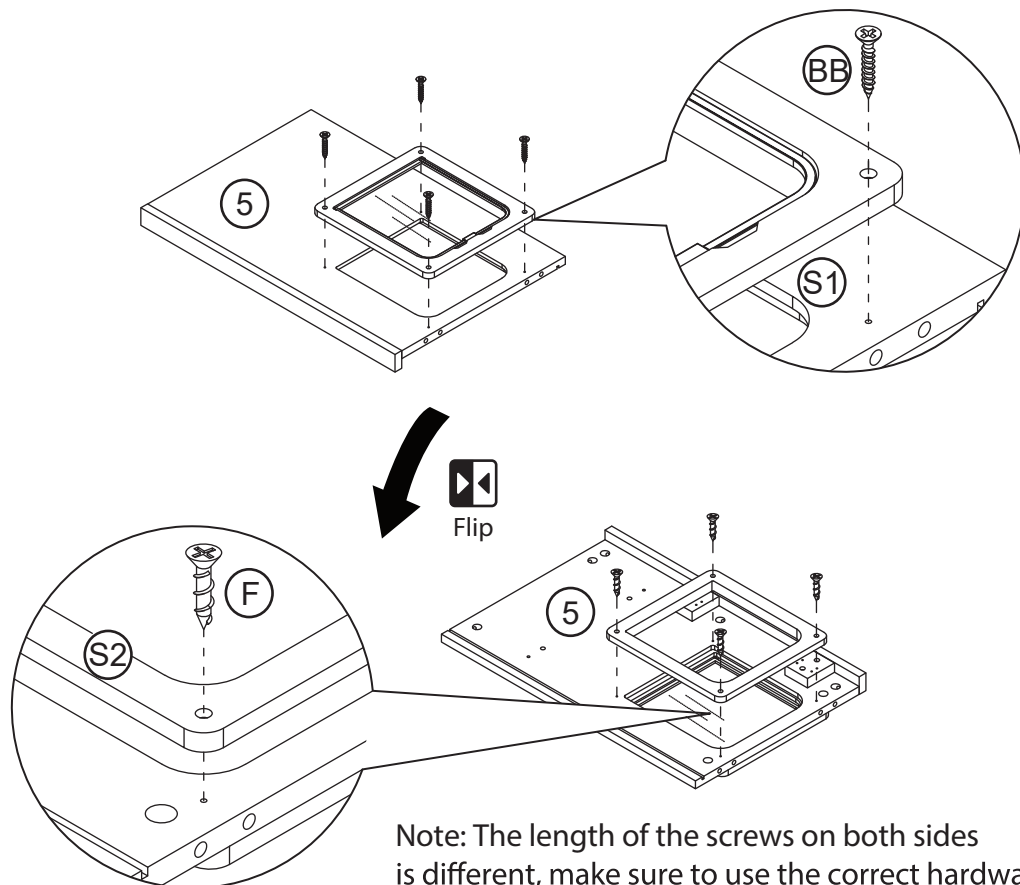
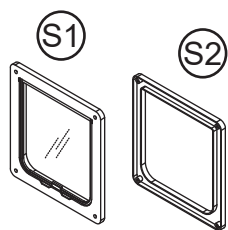
# 12

Secure the heat panel electrical cables.



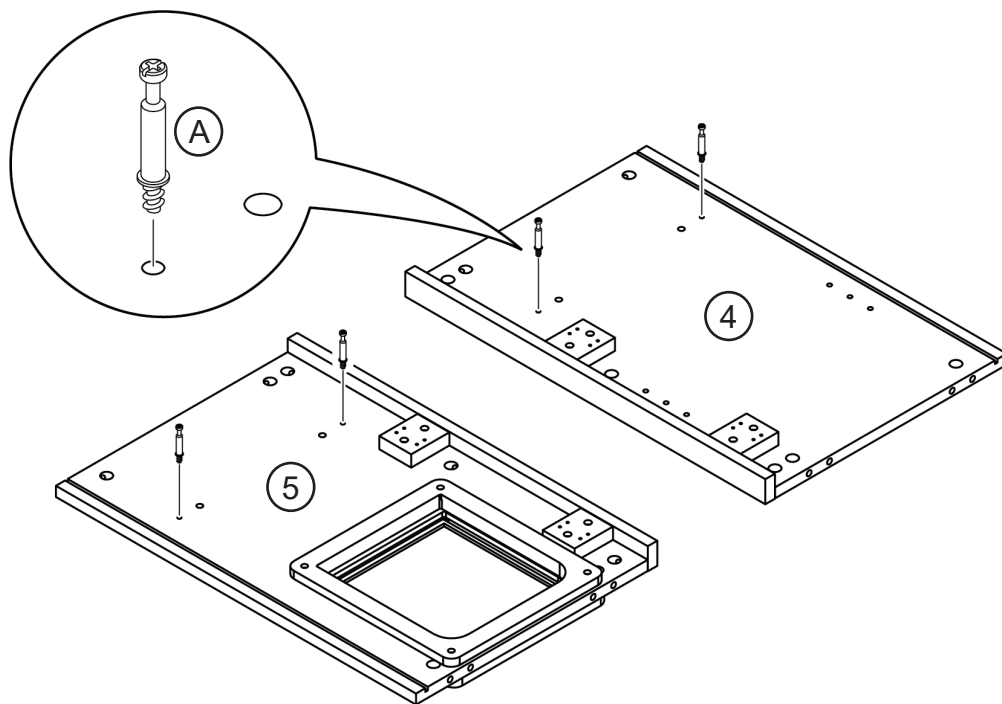
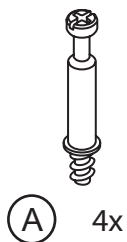
# 13

Assemble the pet door trim to the right lateral panel (5).



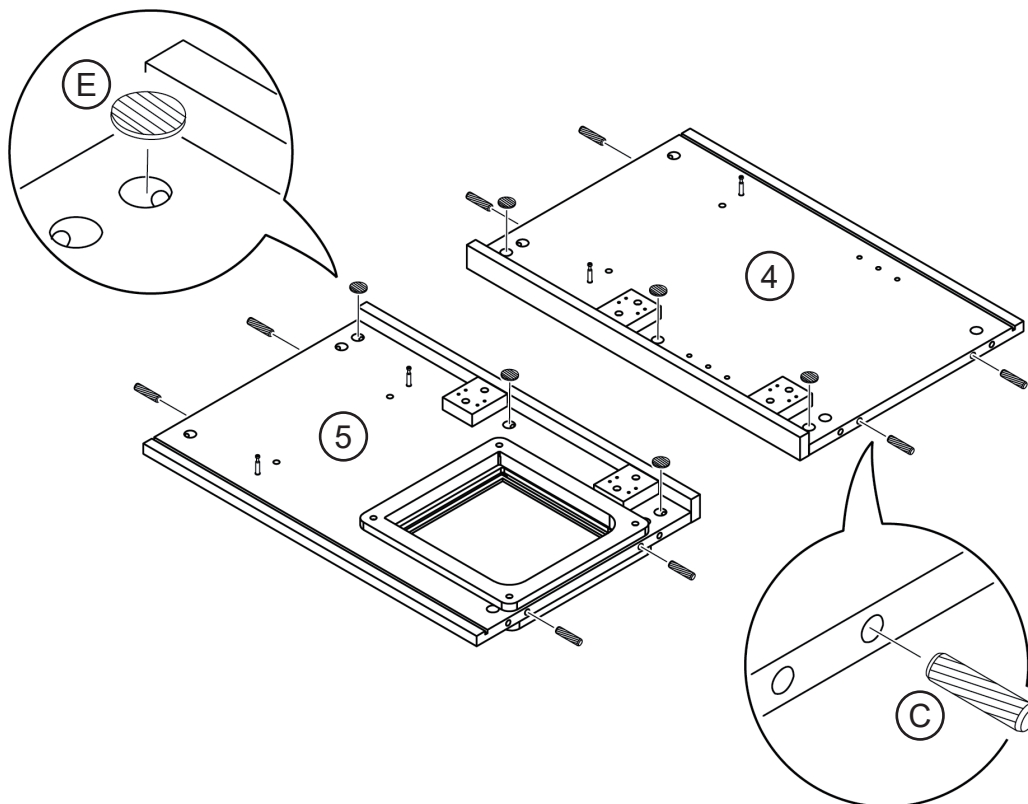
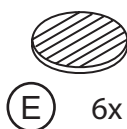
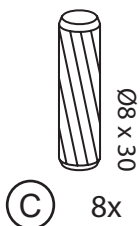
# 14

Attach cam bolts to the lateral panels (4, 5).



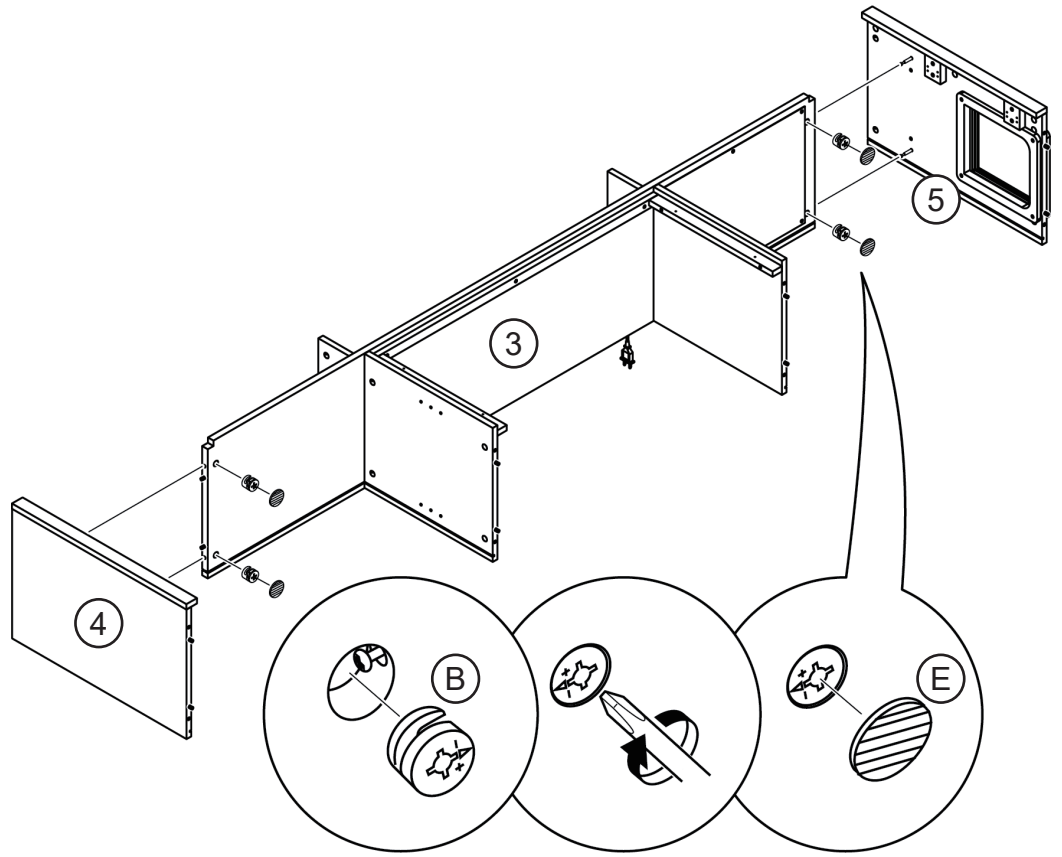
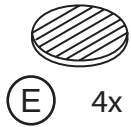
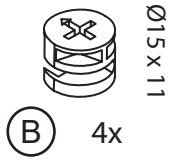
# 15

Paste decorative covers on cam locks and Insert wood dowels to the lateral panels(4, 5).



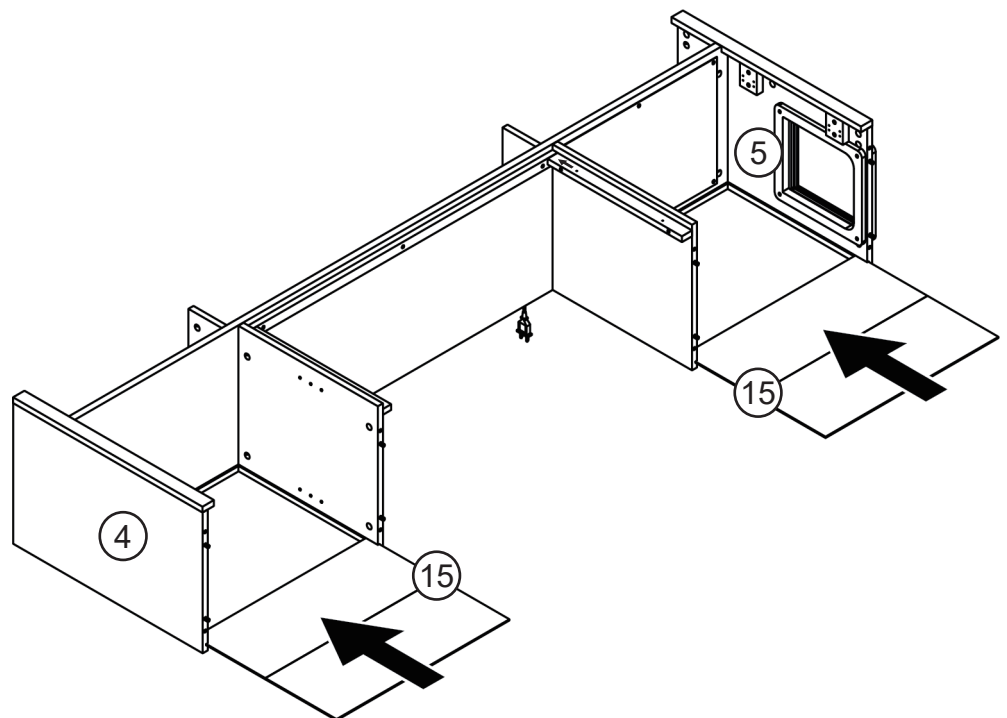
# 16

Assemble the lateral panels (4, 5) to the side of the center panel (3).



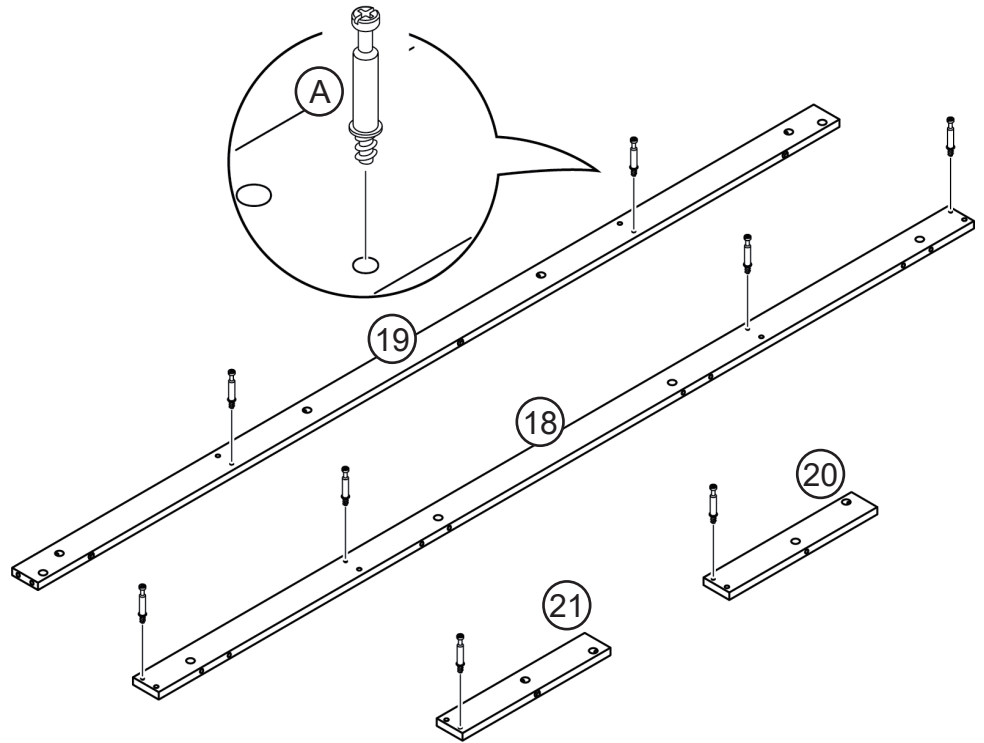
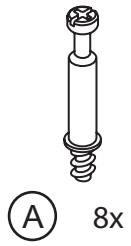
# 17

Slide bottom back panels between the lateral panels and medial panels.



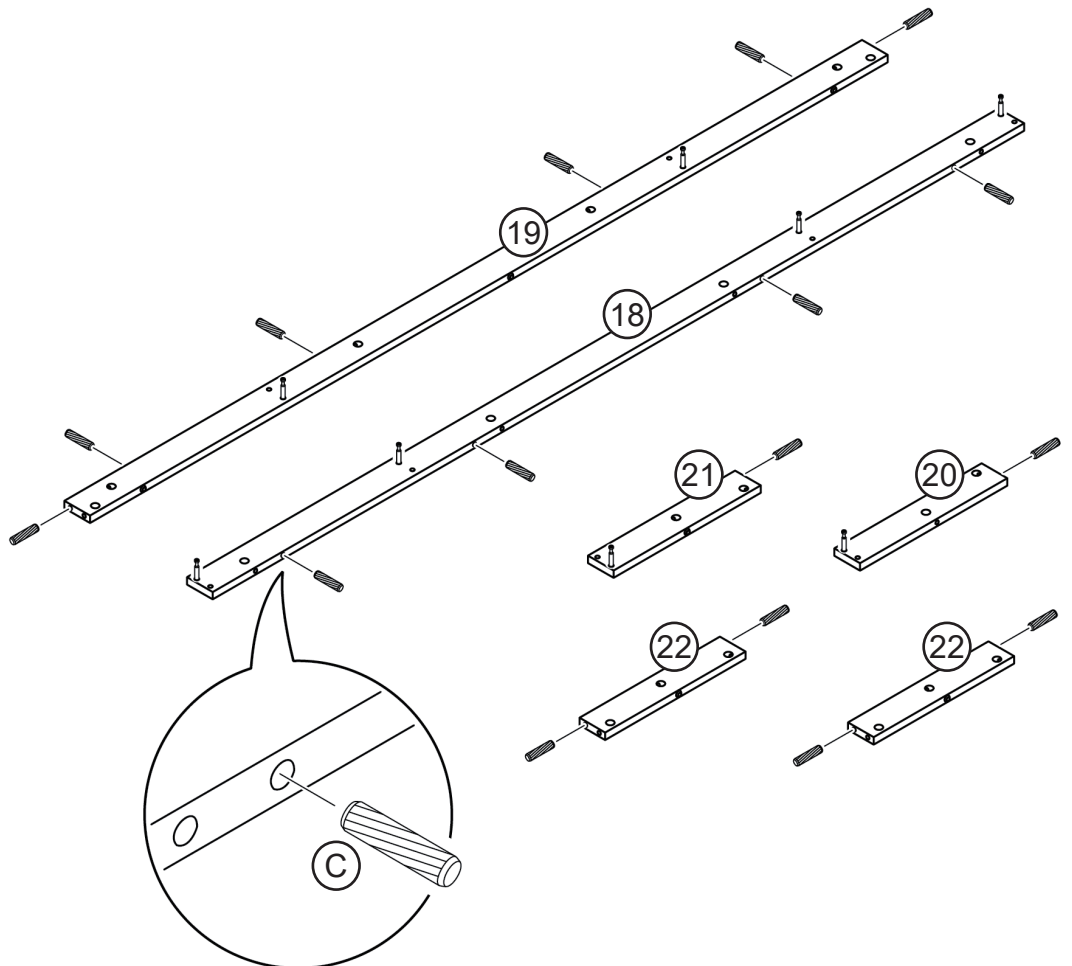
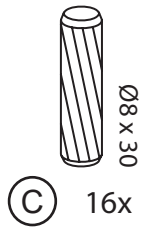
# 18

Attach cam bolts to base strips (18, 19, 20, 21).



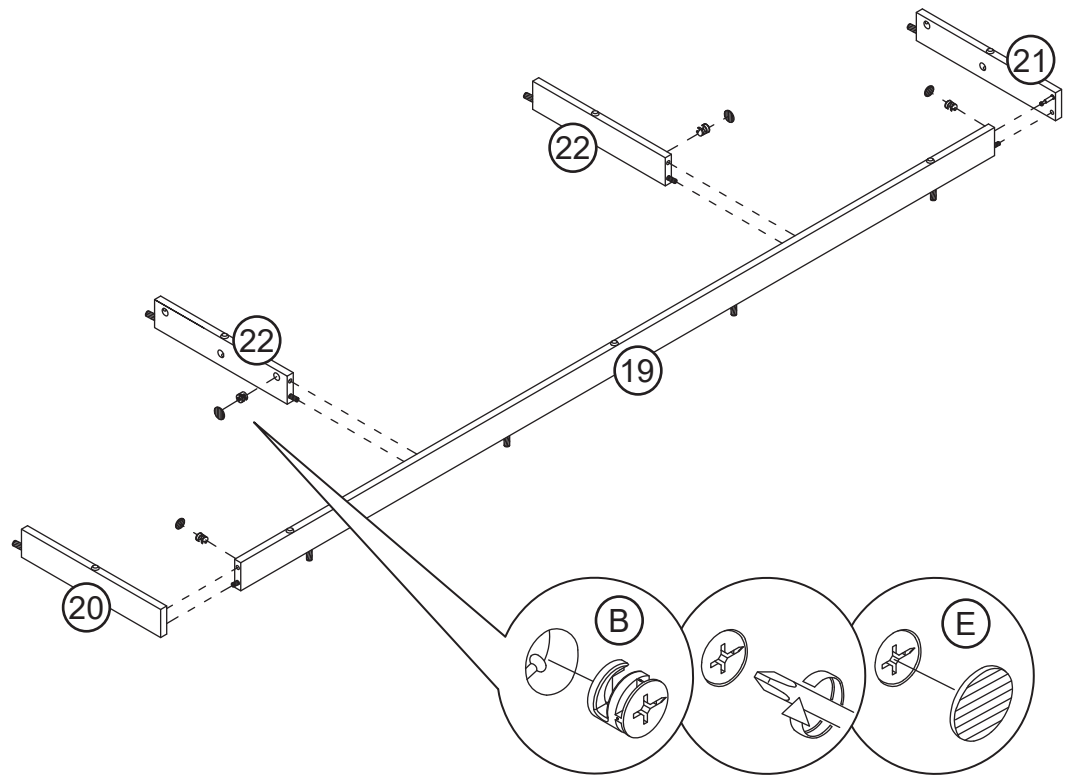
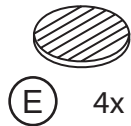
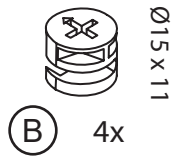
# 19

Insert wood dowels to base strips (18, 19, 20, 21, 22).



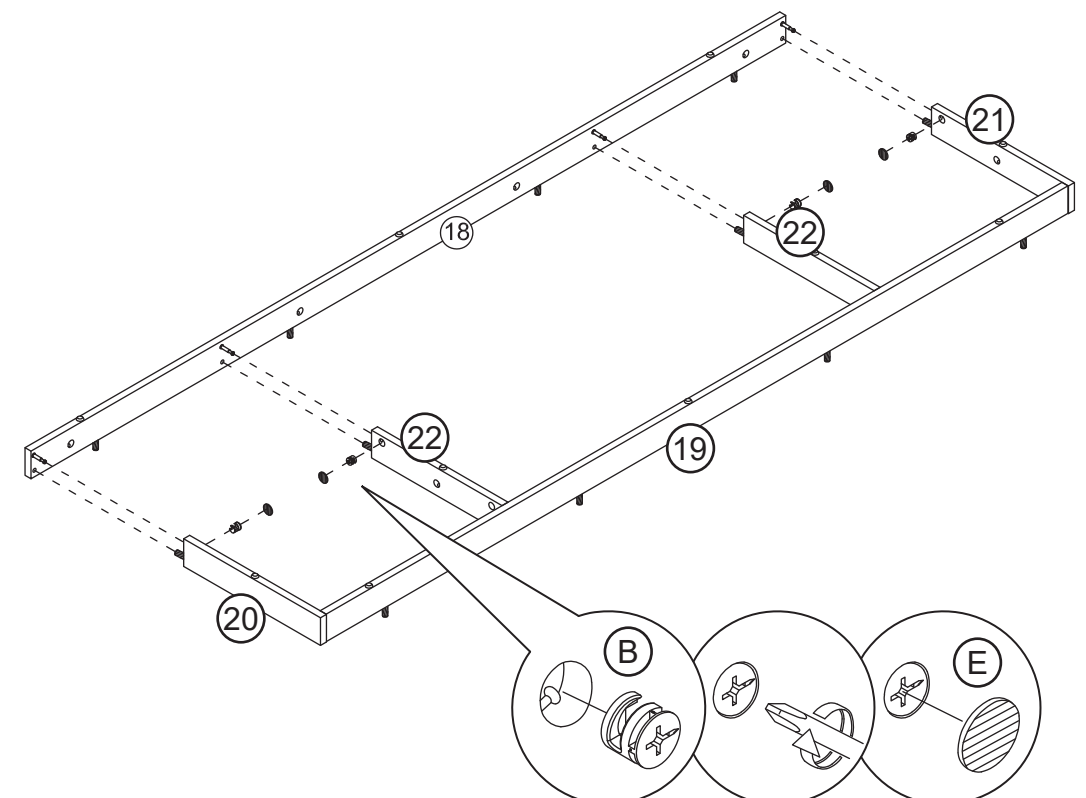
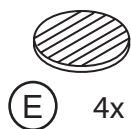
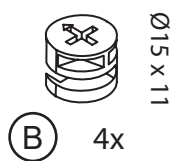
# 20

Assemble left, right, and support base strips (20, 21, 22) to the back base strip (19).



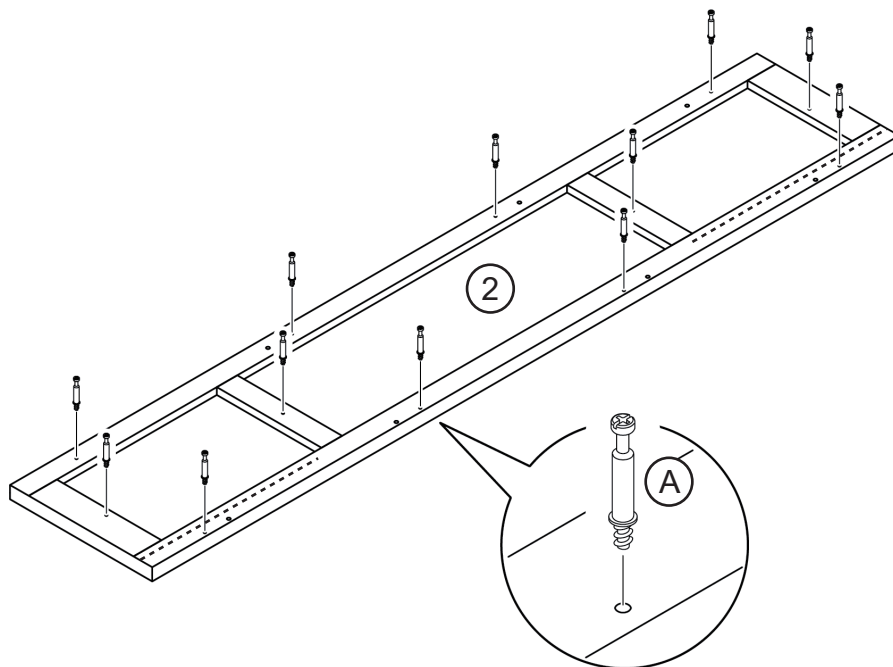
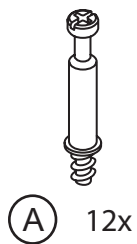
# 21

Assemble the front base strip (18) to the base assembly.



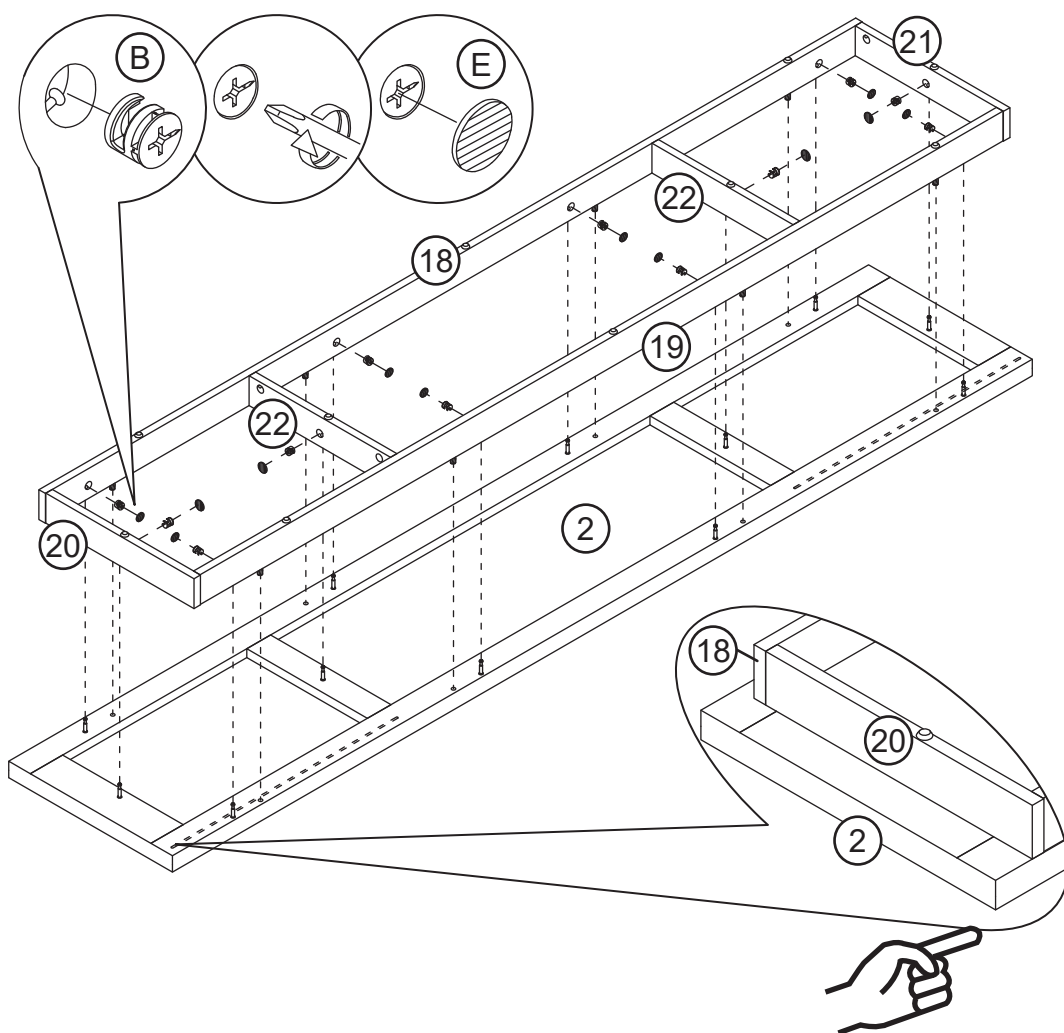
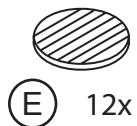
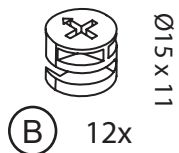
# 22

Insert cam bolts to the bottom panel (2).



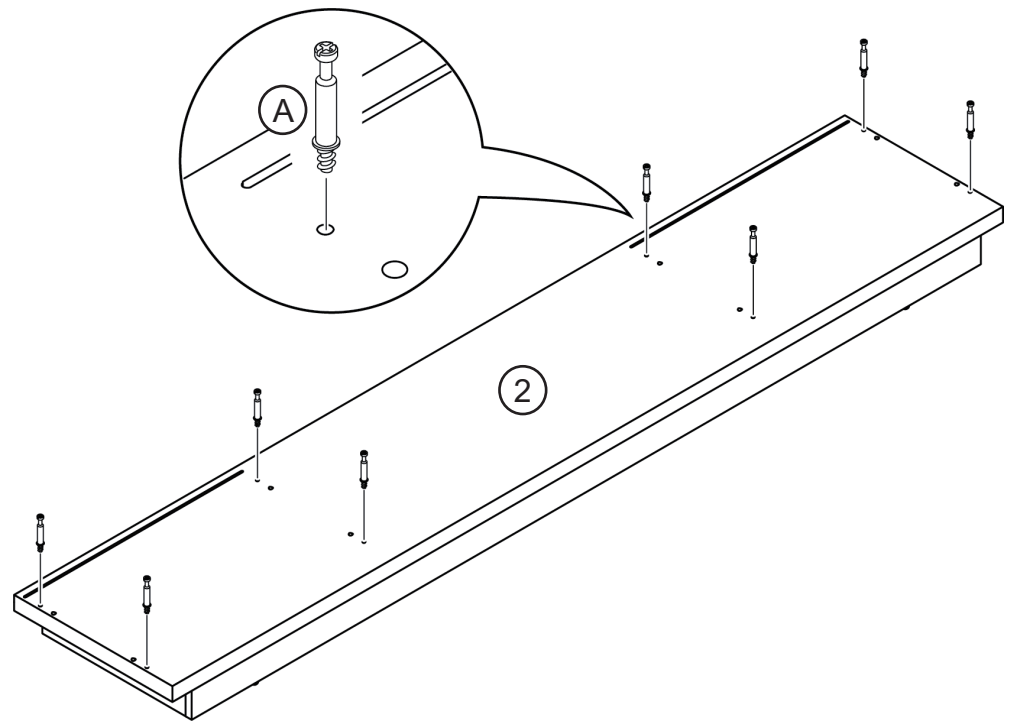
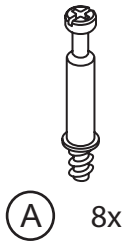
# 23

Assemble the base to the bottom panel (2).



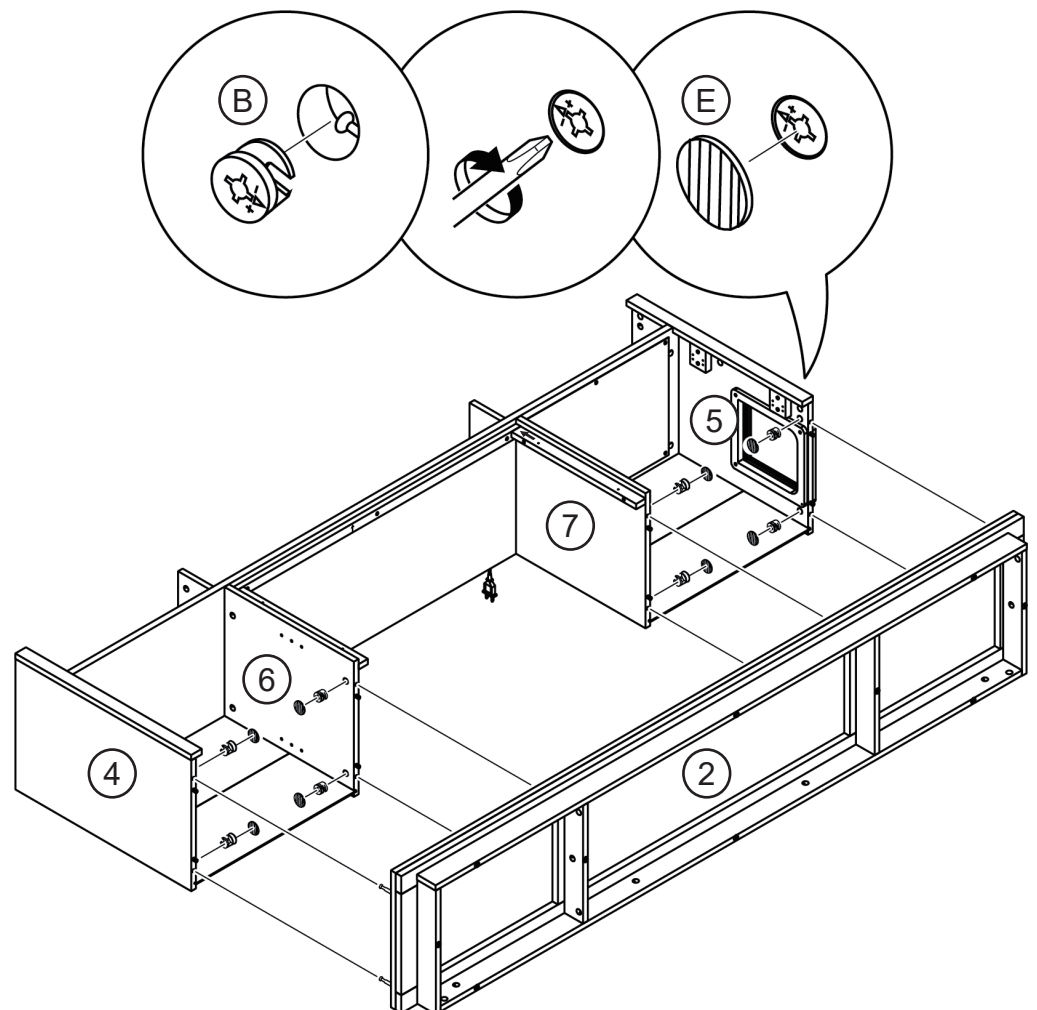
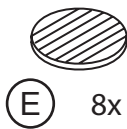
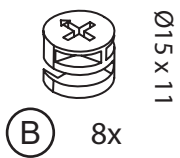
# 24

Attach cam bolts to the top of the bottom panel (2).



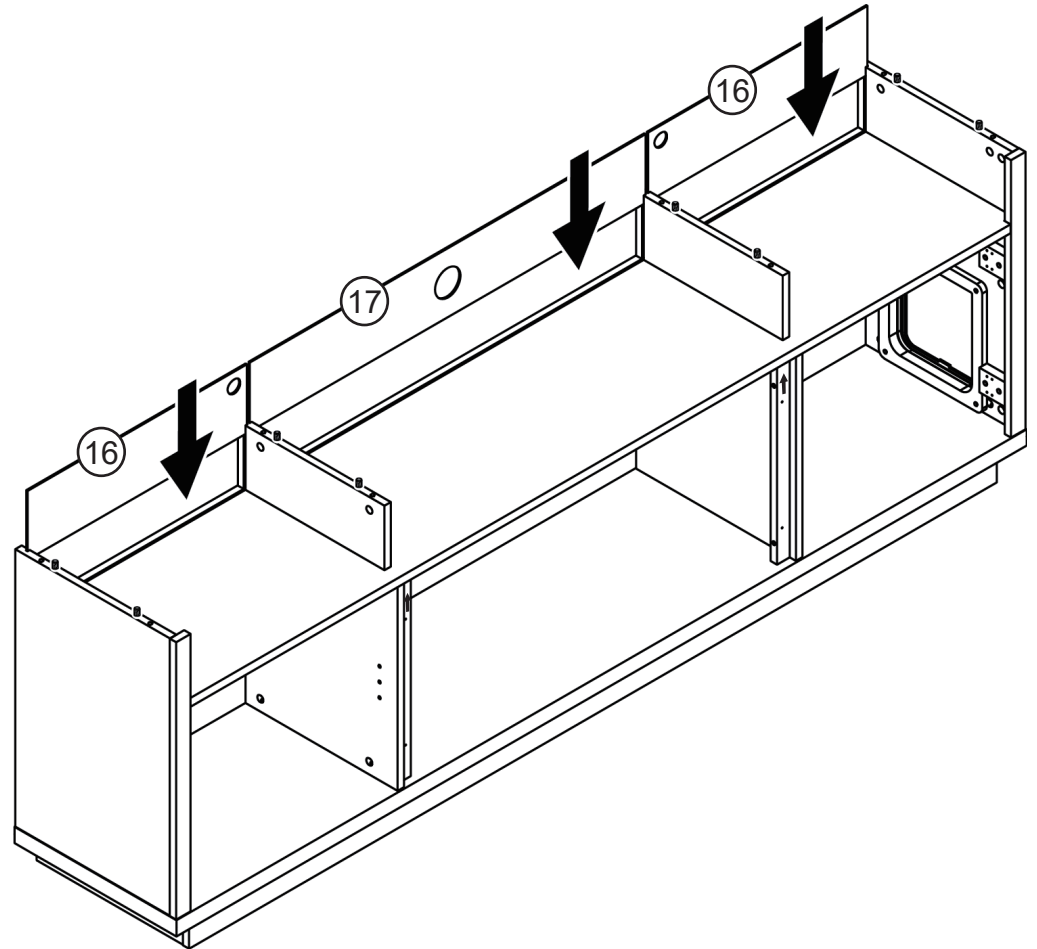
# 25

Assemble the the bottom panel underneath the cabinet assembly.



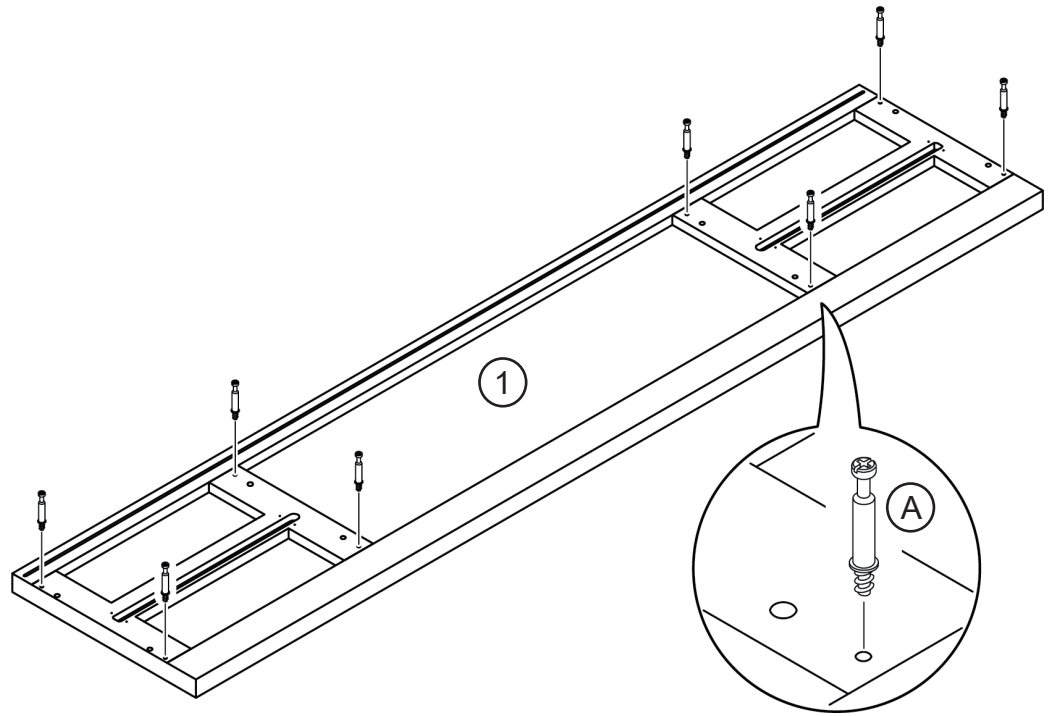
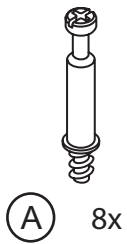
# 26

Slide upper and center back panels (16, 17) to the assembly.



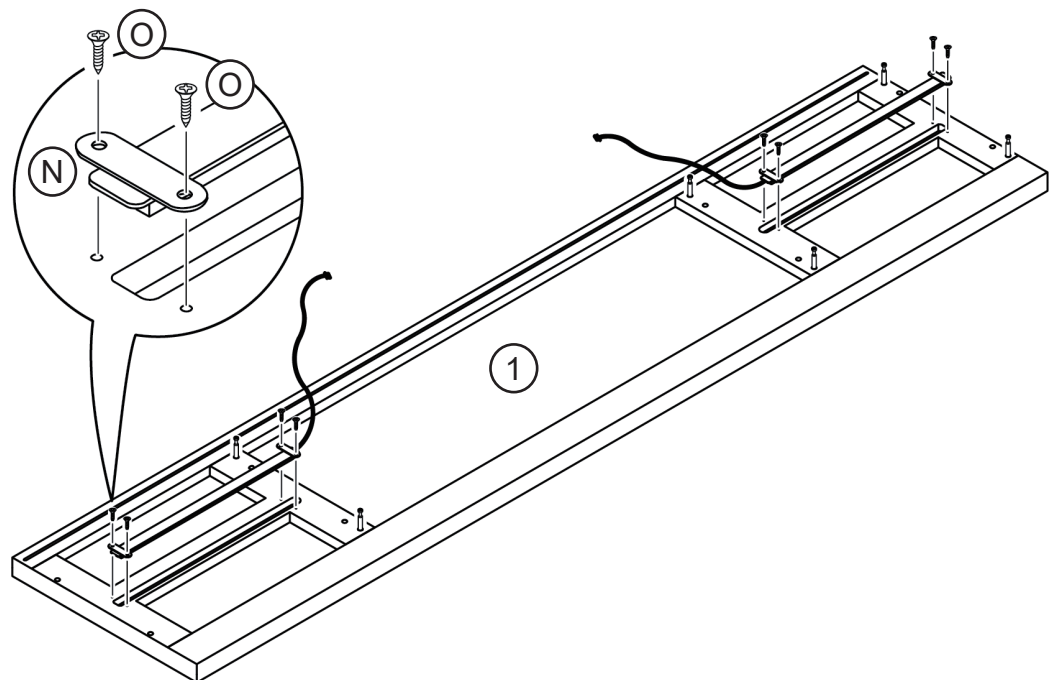
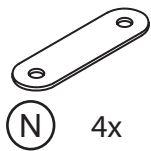
# 27

Attach cam bolts to the top panel (1).



# 28

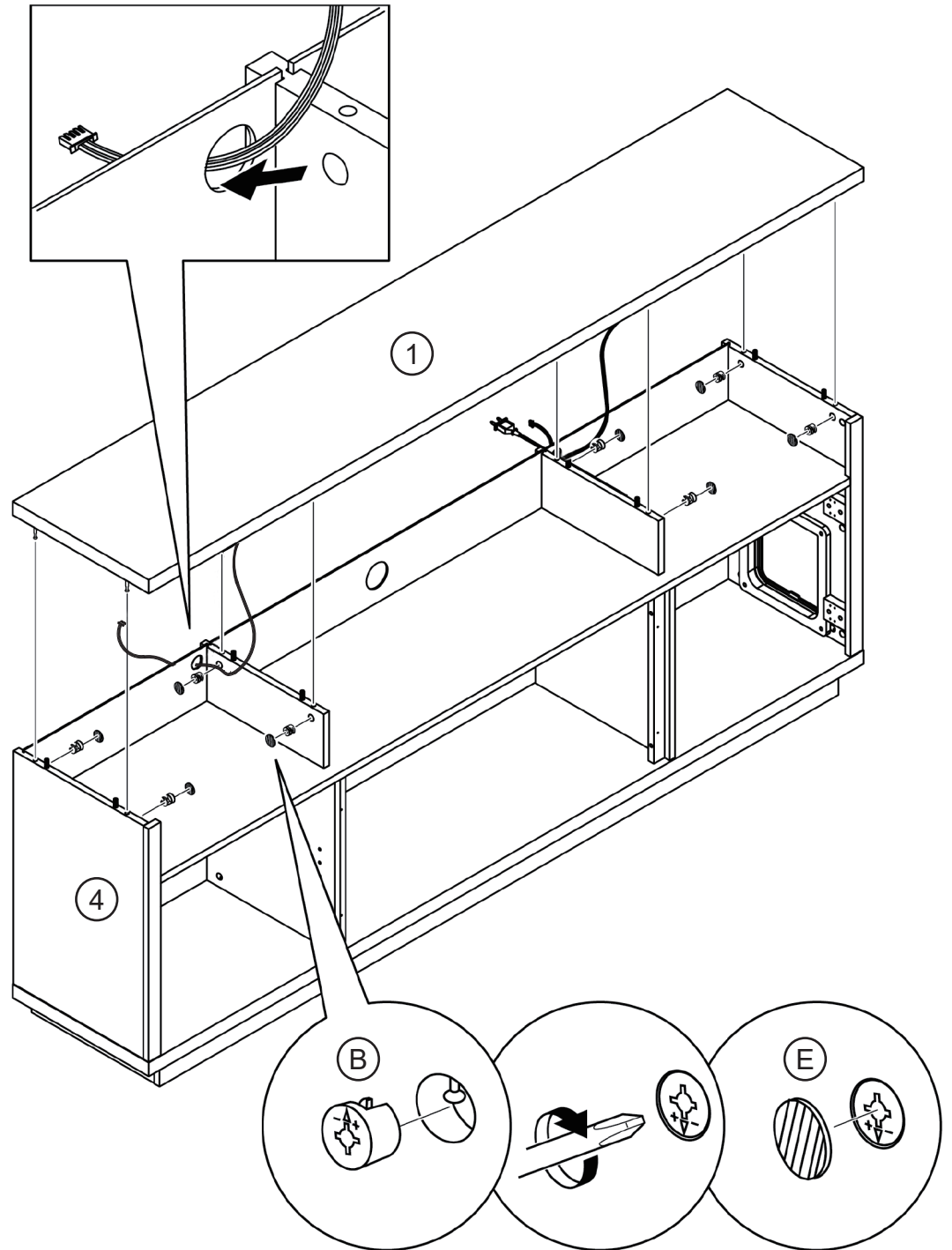
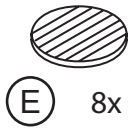
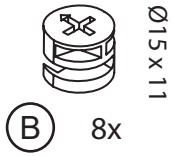
Embed LED light strips into the slots on each side of the top panel (1).



Note: The LED light strip is inside the packing case of the stove.

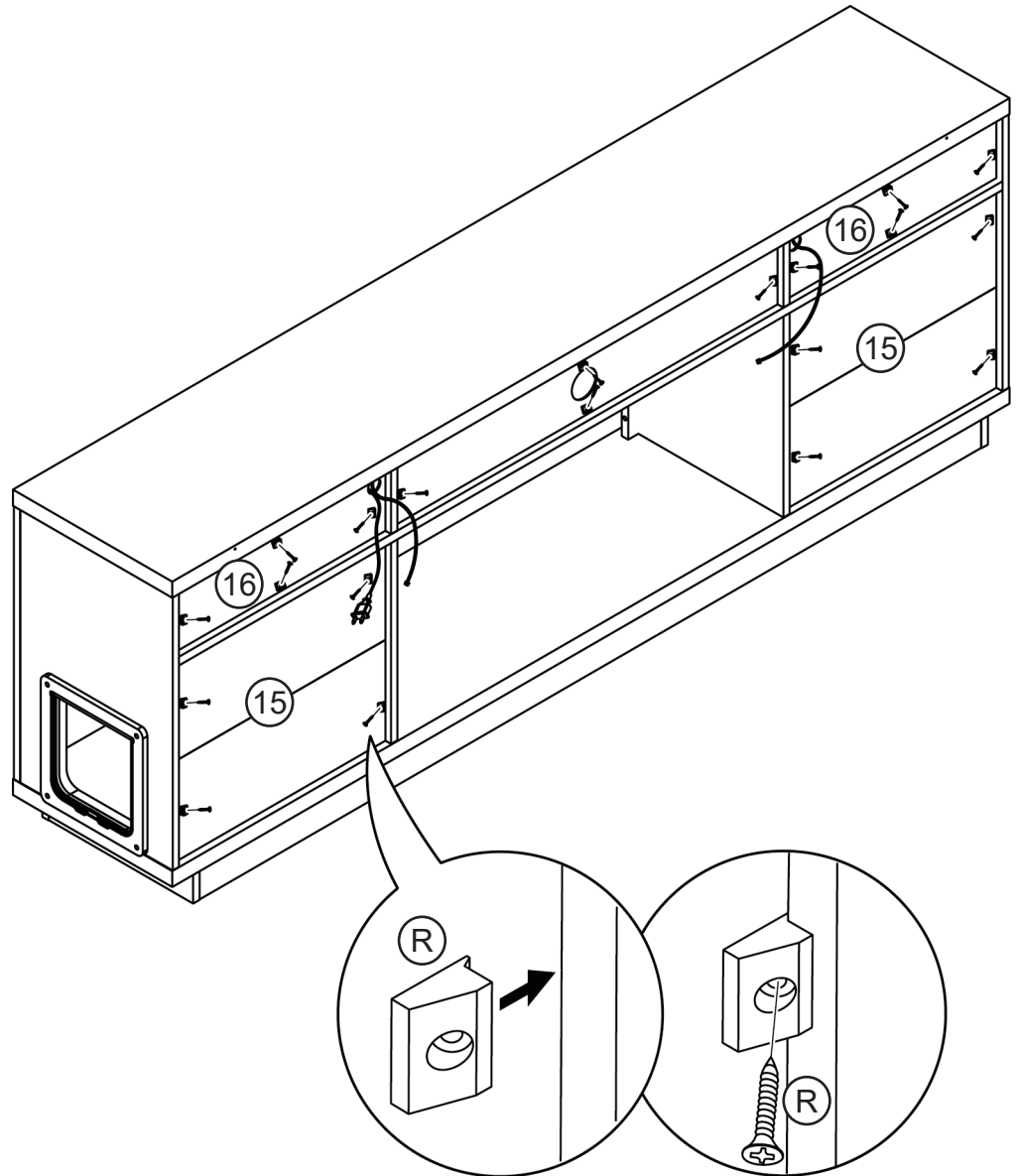
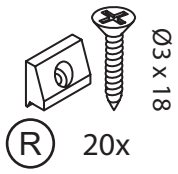
# 29

Route the LED light cable to the holes on the back panels, and then assemble the top panel (1) onto the cabinet assembly.



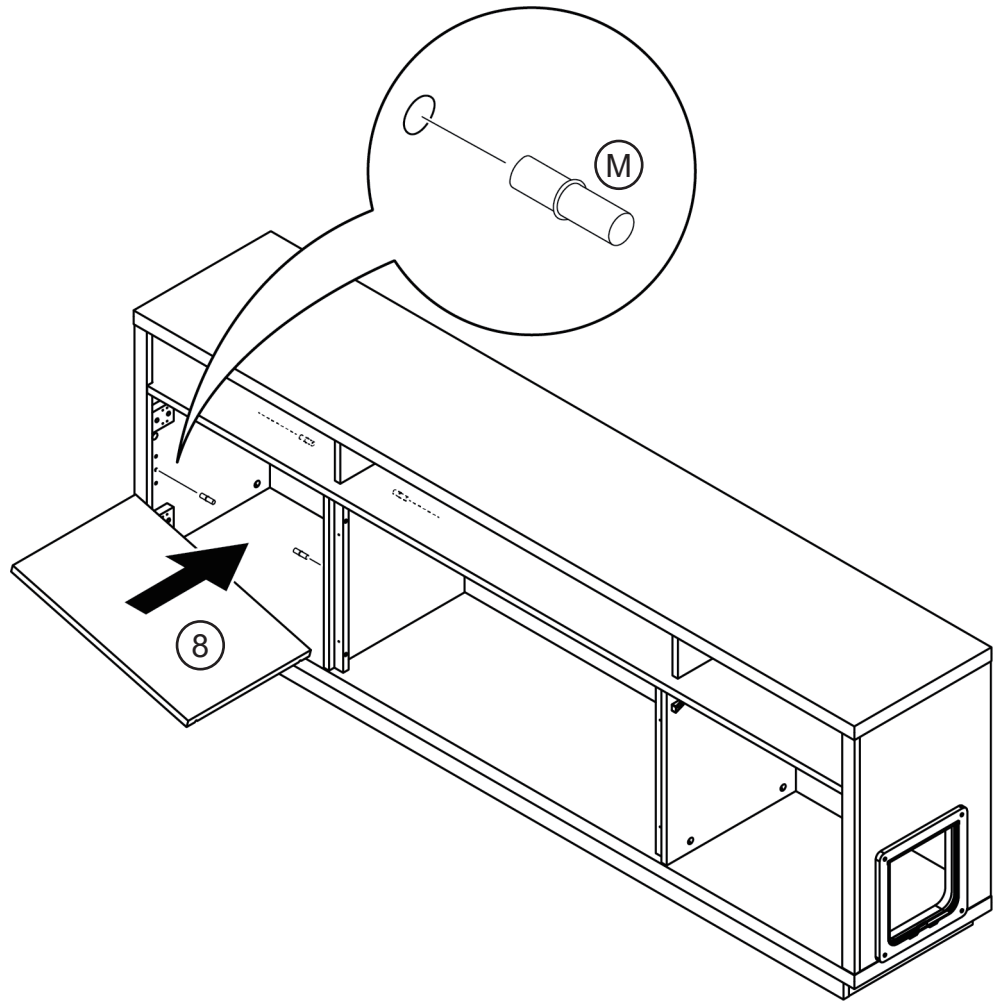
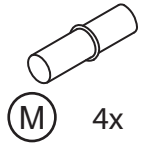
# 30

Secure all back panels in place.



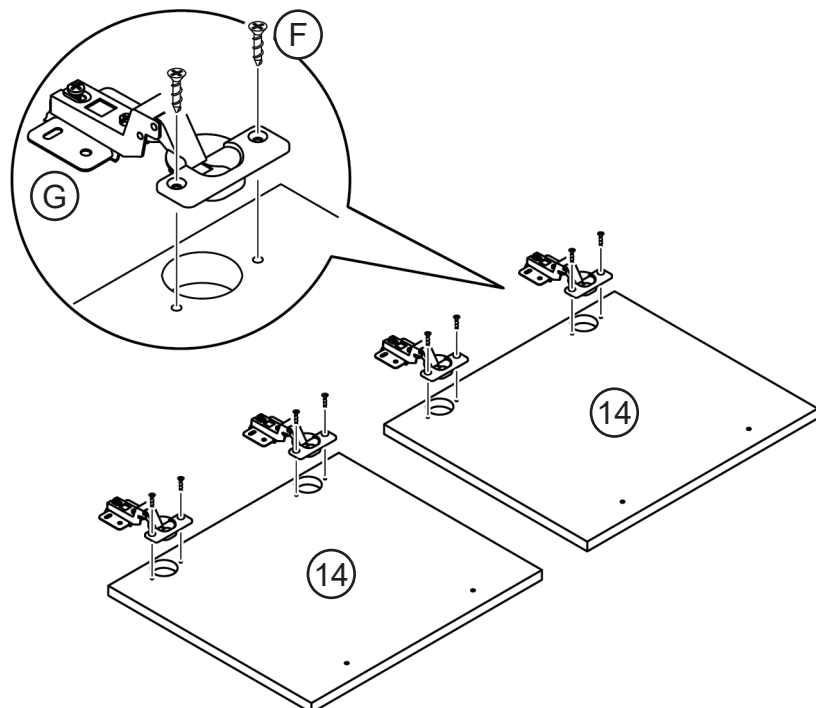
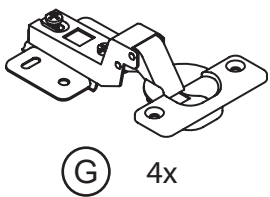
# 31

Insert shelf pegs into the cabinet and place the storage shelf panel (8) on top.



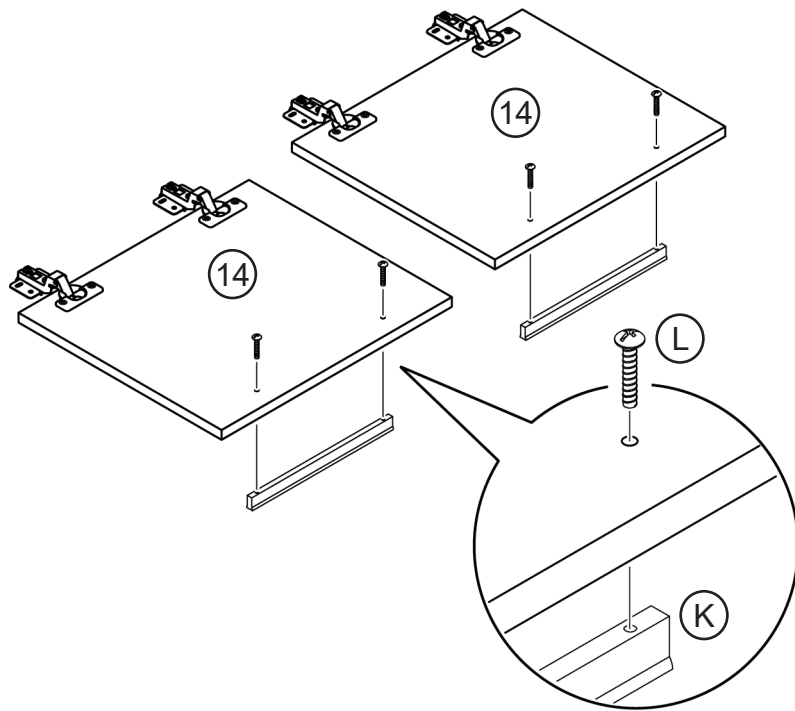
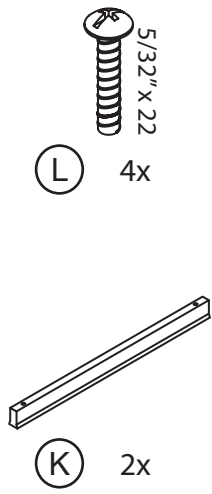
# 32

Attach door hinges to the cabinet doors (14).



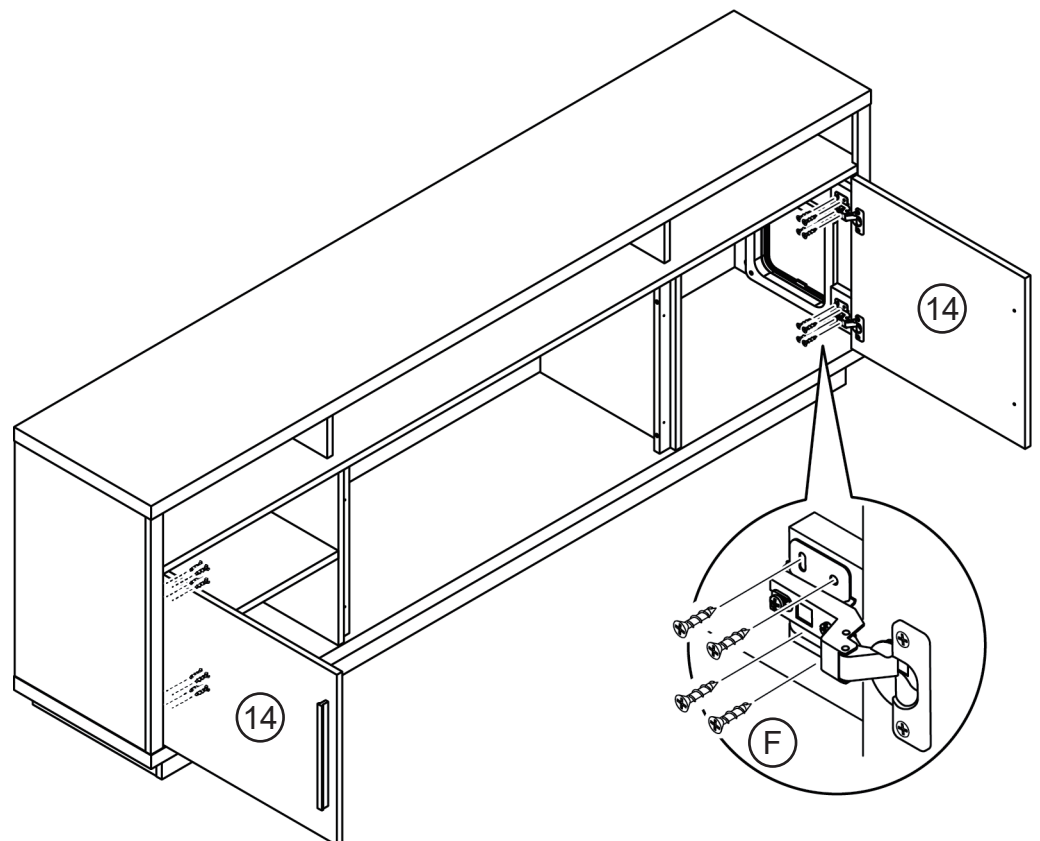
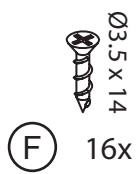
# 33

Attach door handle to each of the cabinet doors (14).

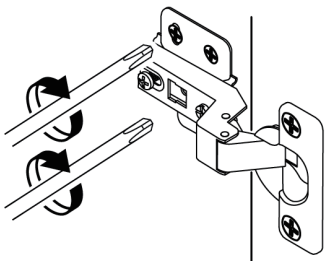
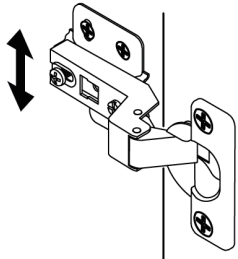
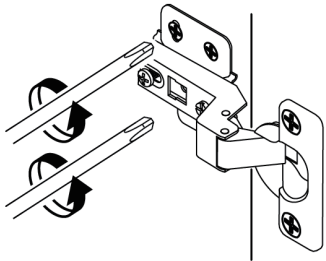
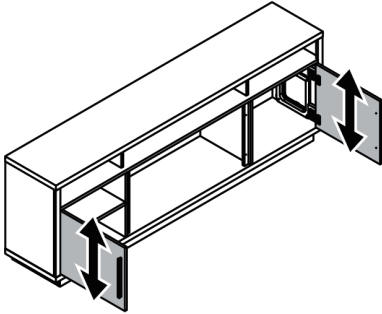


# 34

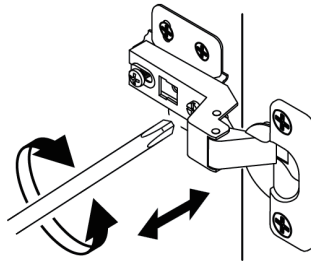
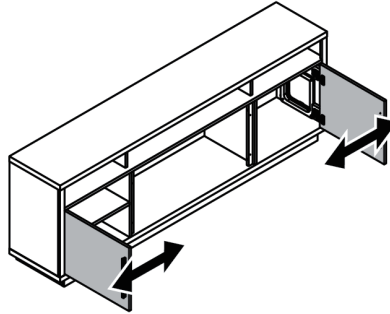
Attach cabinet doors to the cabinet.



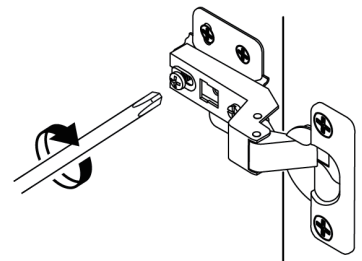
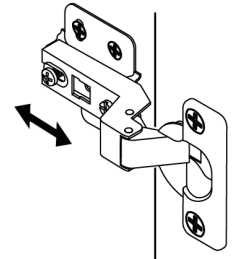
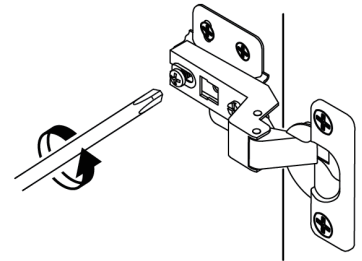
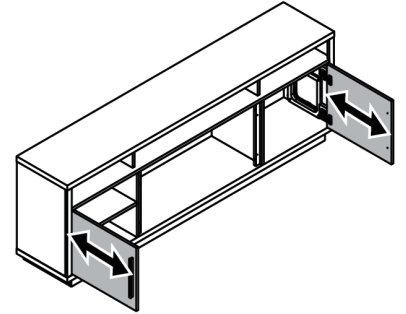
When the clearance of the door is uneven, Adjust the cabinet door according to the figure.  
If you still have trouble while adjusting the door, please contact us.



Up and down adjustment by loosening the screws on the mounting plate.



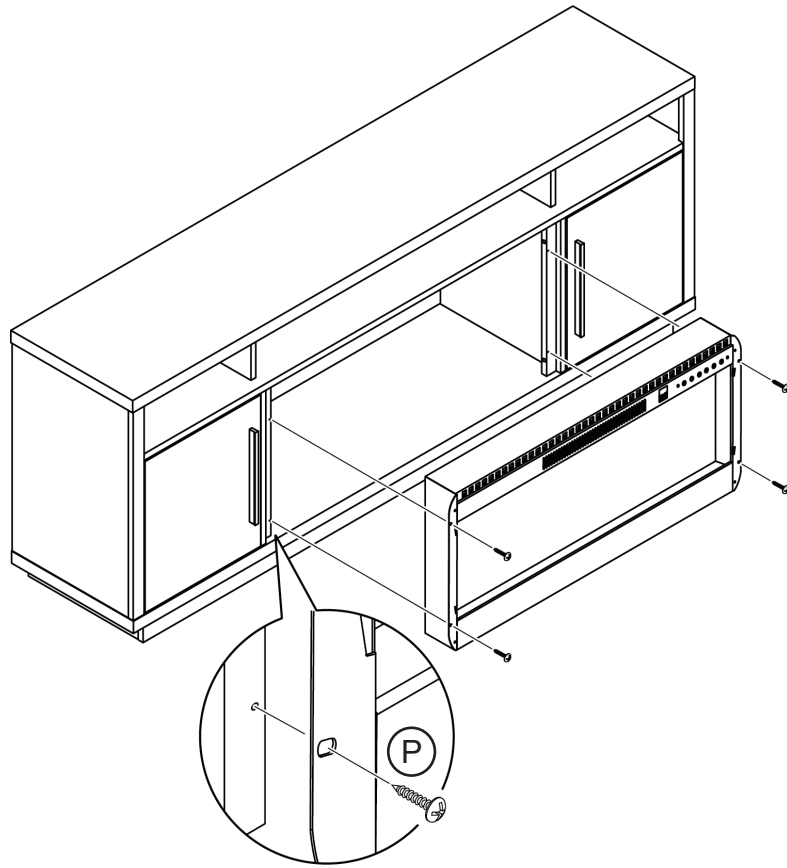
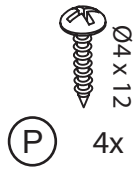
Side to side adjustment using the front adjustment screw on the hinge.



In and out adjustment by loosening the screws on the hinge arm.

# 35

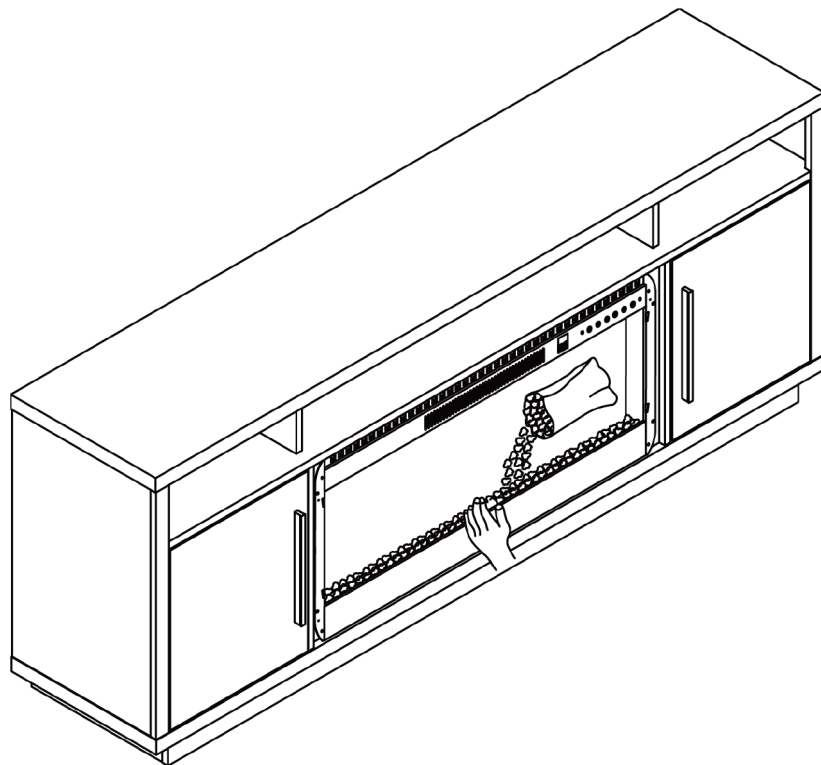
Install fireplace from the front of the cabinet.



Set the unit from the front of the fireplace mantel and center it in the opening, check the alignment and attach the unit to the mantel by inserting screws through the drilled holes on the mantel.

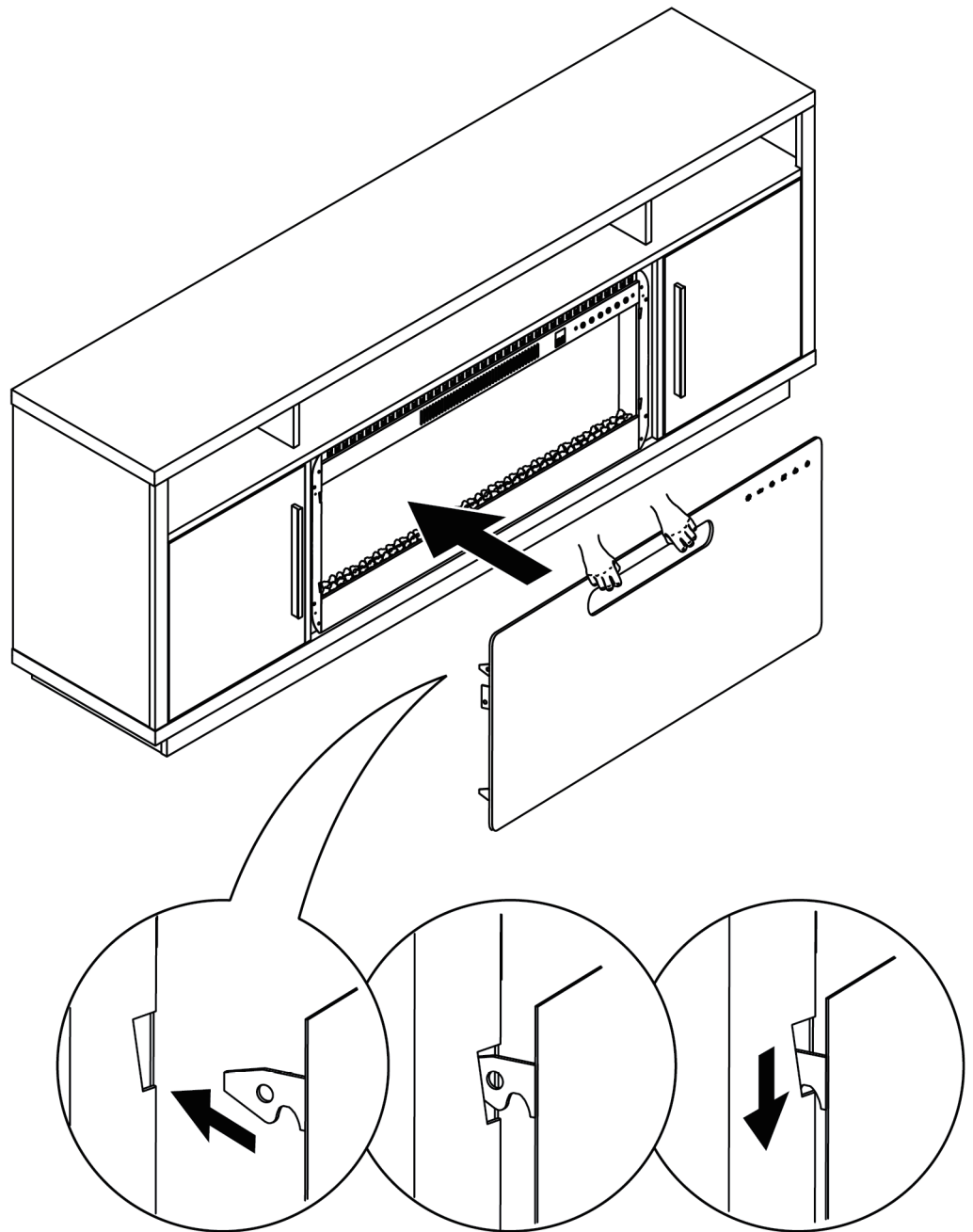
# 36

Place decorative stones inside the fireplace.



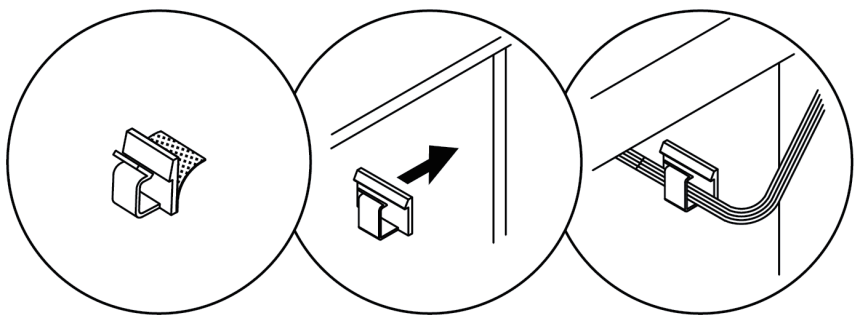
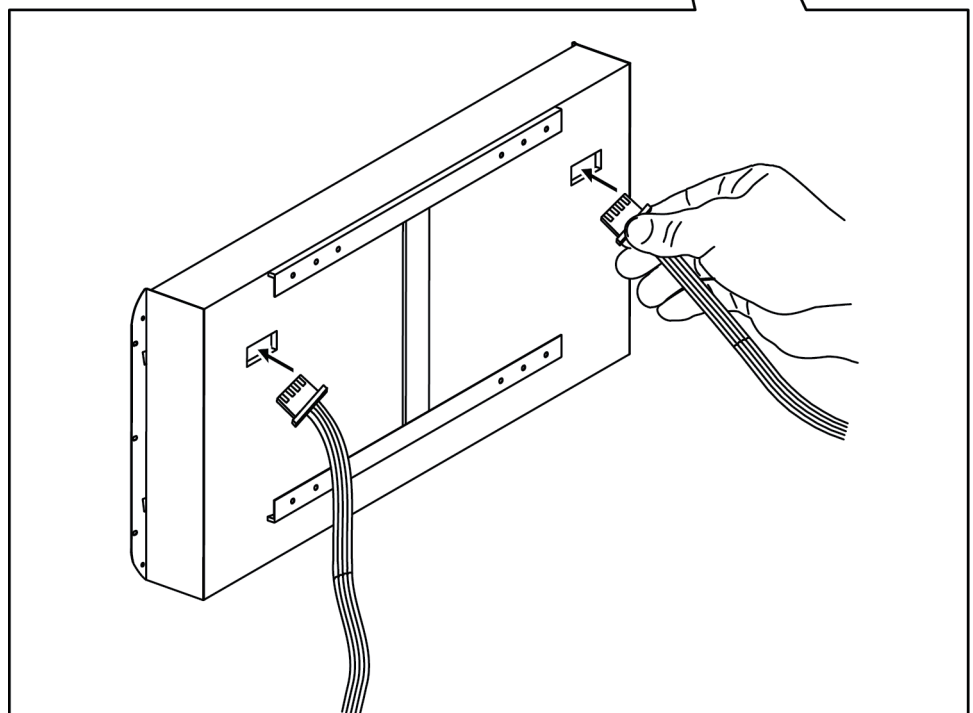
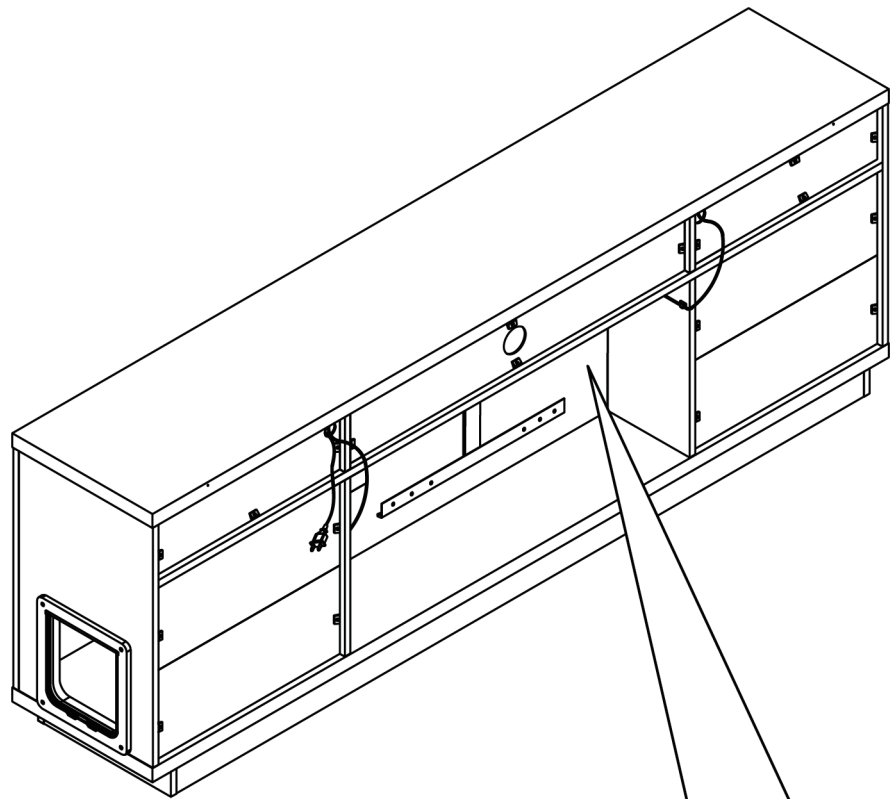
# 37

Attach the glass panel to the front of the fireplace.



**CAUTION:**  
Careful when handling glass to prevent injury or damage.  
For the exact instruction, please refer to the user's manual.

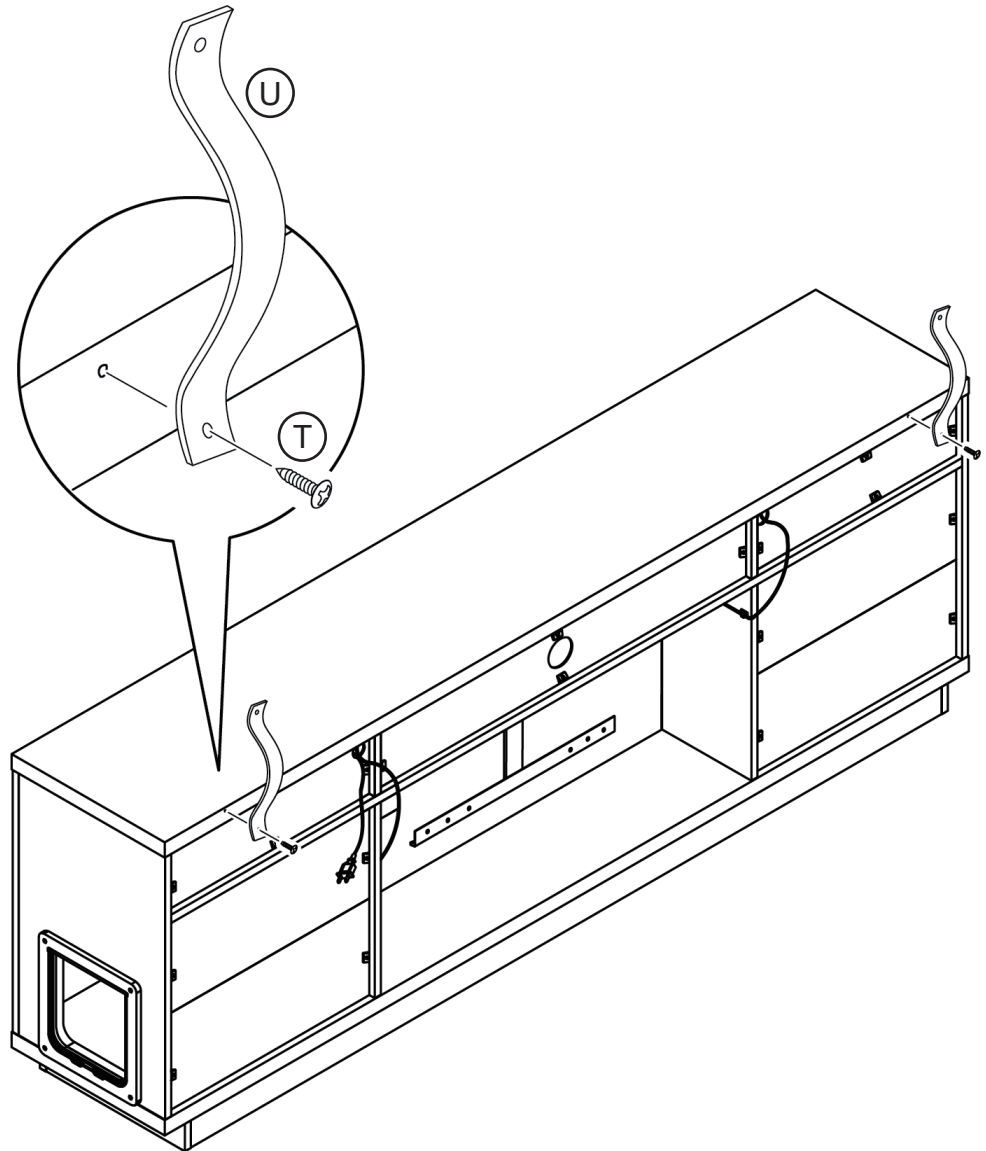
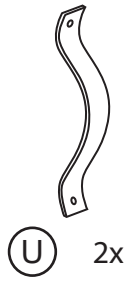
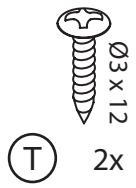
Connect the LED light cable to the fireplace.



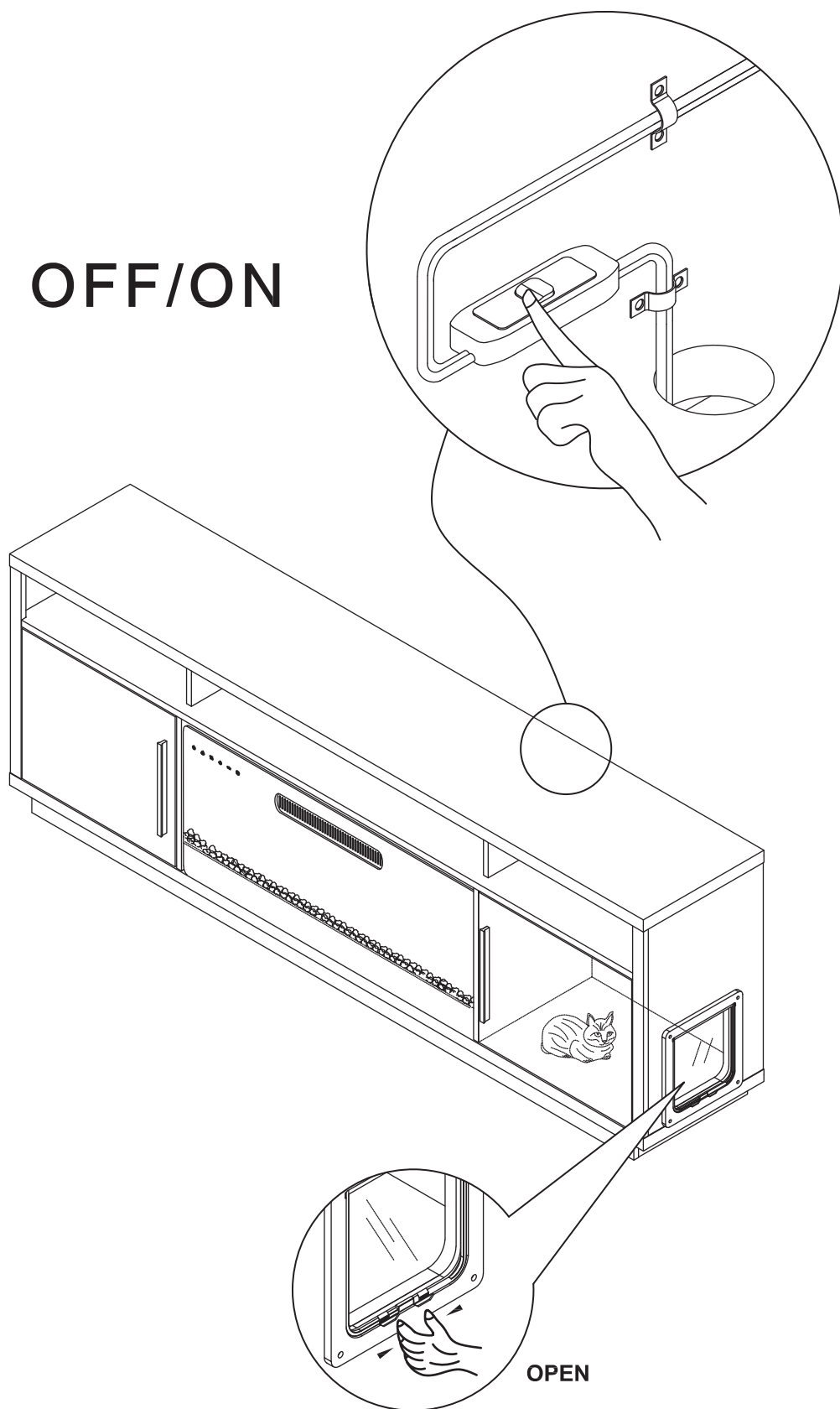
Note: The wire is clamped inside the packing case of the stove.

# 39

Attach anti-tipping straps to the back of the cabinet.



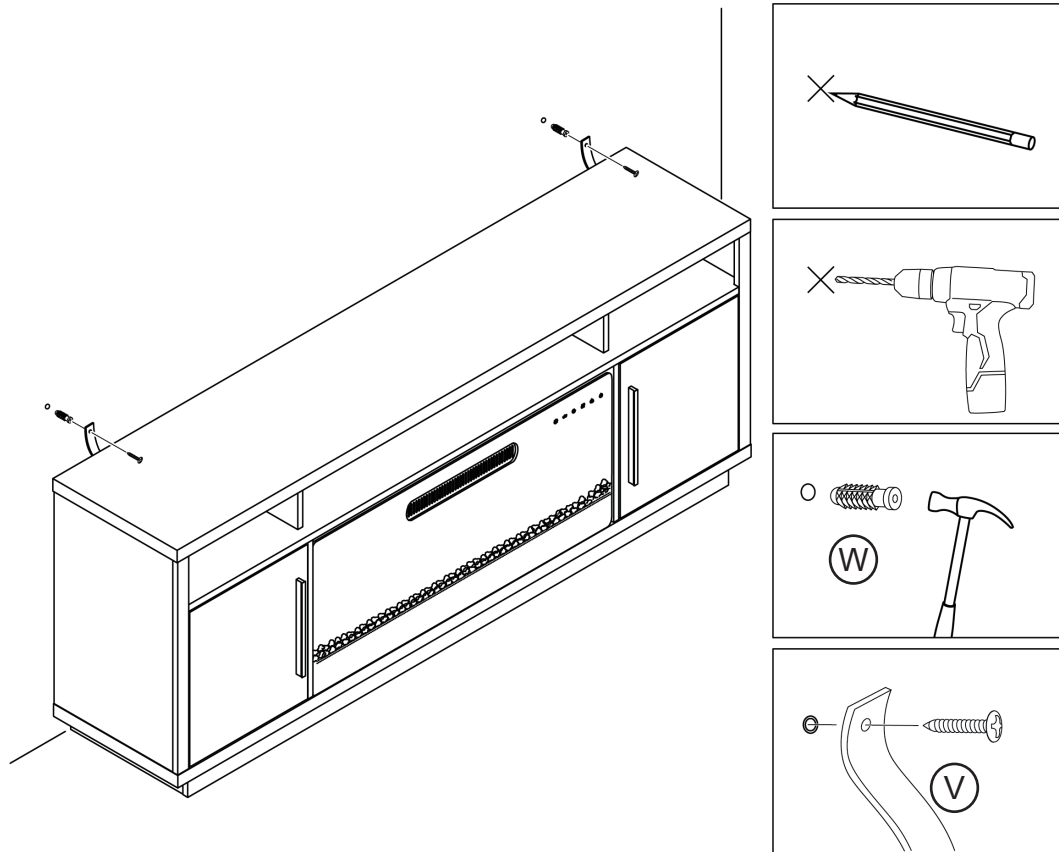
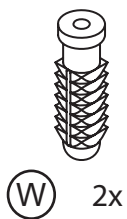
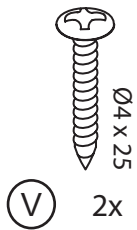
## OFF/ON



Note: There's a switch here that opens and closes the door.

# 41

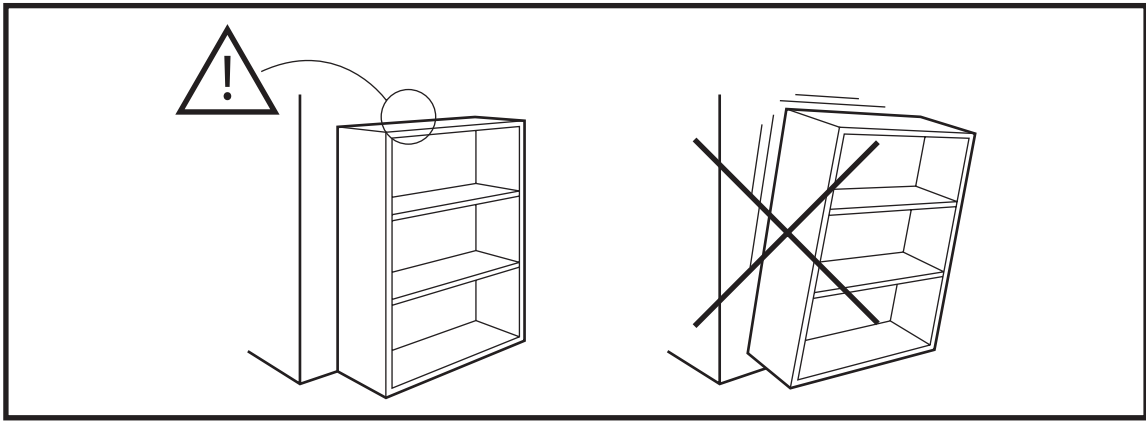
Affix the cabinet to a wall.



Furniture must permanently fixed to the wall stud with included anti-tipping device to prevent the furniture from tipping over.

- Mark drill positions on the wall with a pencil.
- Drill a small hole on the marked position.
- Insert wall anchors into the drilled holes.
- Zip tie the rack to the anti-tipping devices.

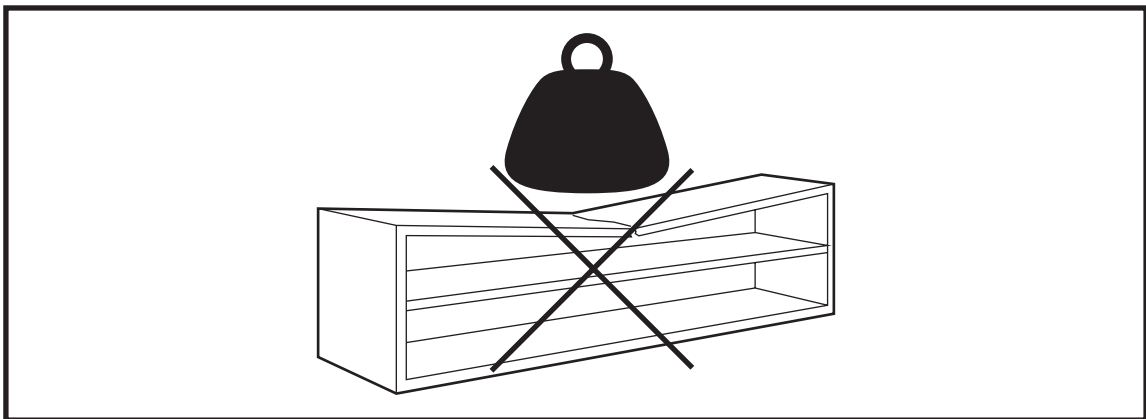
## YOU'RE FINISHED!



## Warning

Serious or fatal crushing injuries may occur if the furniture tip-over. Furniture must permanently affixed to the wall with included anti-tipping device in order to prevent the furniture from tipping over.

Different wall materials requires different types of wall anchors or screws. Use a suitable wall anchors or screws for your specific wall in order to secure the stability and load bearing capacity of the furniture. If you are uncertain about which type of device to use, please contact us or your local hardware store.



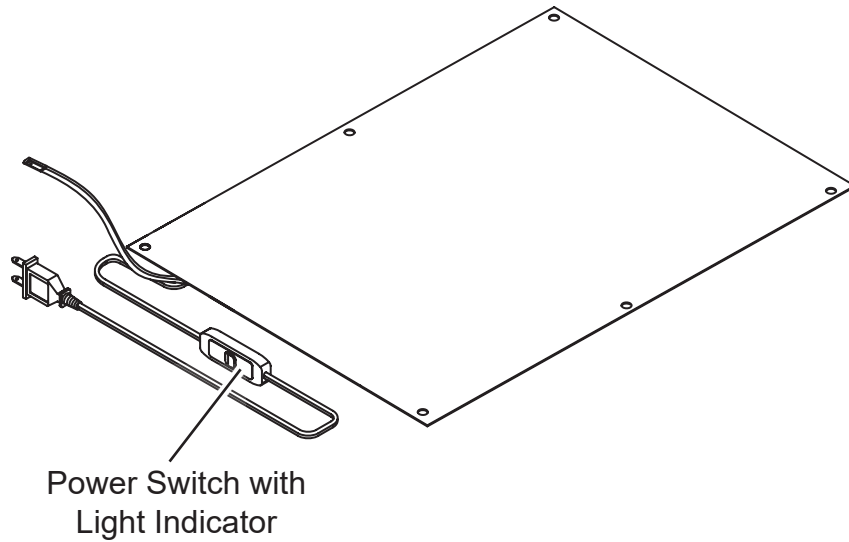
## Warning

Only place items on top of the product if they meet the recommended size and weight limits.

Climbing on, stepping on, or placing overweighted objects on the product may cause property damage and/or injuries.

Items placed onto this product must be resting on a support surface without hanging over the edges.

# OPERATION INSTRUCTION (HEAT PANEL)



## Power Requirement

110 v / 60 W

## Operation

Connect the power plug to an electric outlet.

Turn on the heat panel using the power switch.

A red light indicator will light up when operating, and the heat panel will warm the area to about 38°C / 100°F.

To turn off the heat panel, flip the power switch again.

## WARNING / CAUTION

- Do not touch the heat panel when it is in operation.
- Follow the installation instruction in this manual to prevent burnt to the user or pet.
- If problem arise or experiencing a malfunction, stop using the heat panel and contact customer service.

## WARNING

For use with televisions weighing 80lbs (36.3kg) or less. Use with heavier televisions may result in instability, causing tip over resulting in death or serious injury.

Death or serious injury may occur when children climb on audio and/or video equipment furniture. A remote control or toys placed on the furnishing may encourage a child to climb on the furnishing and as a result the furnishing may tip over on to the child.

Relocating audio and/or video equipment to furniture not specifically designed to support audio and/or video equipment may result in death or serious injury due to the furnishing collapsing or over turning onto a child.

## NOTICE

The recommended maximum width of the television is 85 inches. Do not exceed the maximum load capacity.

This product is designed for flat panel TVs only.

## FURNITURE CARE AND MAINTENANCE

### Medium - Density Fiberboard

Thank you for your purchase. We want your item to last as long as possible. To ensure the product gives you years of longevity, please follow the recommendations in this care and maintenance guide.



#### MAINTENANCE

- Tighten all bolts and screws again within the first 2 weeks of assembly.
- Check the tightness of all bolts every 2 months and tighten them if necessary.



#### CLEANING

- Clean the surface of the MDF (medium - density fiberboard) with a lightly dampened cloth.
- A small amount of mild soap can be used if necessary.
- Dry the surface immediately after cleaning.

- ⚠ DO NOT use bleach or alcohol to clean the surface.
- ⚠ DO NOT apply wood treatment on parts made with MDF.

MDF will swell and distort when exposed to water damage. Make sure to dry the furniture immediately after cleaning.

#### WARNING

The manufacturer and seller are not responsible for any and all liability relating to personal injury, property damage or losses, whether direct, indirect, or incidental, resulting from the incorrect attachment, improper use, inadequate maintenance, unapproved modification or neglect of this product.