

ASSEMBLY INSTRUCTION

ITEM NO.: WF299207

WF299208







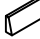


WF299209

Thank you for purchasing this quality product. Be sure to check all packing material carefully for small parts, which may have come loose inside the carton during shipment. Identify and count all parts and compare with the **HARDWARE LIST** below.



Caution: Please read instructions thoroughly before unpacking assembly parts. Sharp, exposed staple tips can cause injury, therefore, for your production, please remove any exposed staples used in packing.

1. We recommend that you assemble this product with the assistance of another person; this will make assembly easier, and will help to eliminate damage to the product or injury to persons during assembly.
2. Please do not over tighten screws or bolt until the assembly is completed.
3. Please put all parts on a non-abrasive floor before assembly, and follow the assembly steps to assemble your sofa.



PARTS LIST

| No | Description | Sketch | Q'ty | No | Description | Sketch | Q'ty |
|----|-----------------|---|------|----|------------------|--|-------|
| 1 | Love seat |  | 1 PC | 6 | Right Facing Arm |  | 1 PC |
| 2 | chaise |  | 1 PC | 7 | Pillow |  | 2 PCS |
| 3 | Loveseat back |  | 1 PC | 8 | Back Cushion |  | 3 PCS |
| 4 | Chaise back |  | 1 PC | 9 | Leg |  | 8 PCS |
| 5 | Left Facing Arm |  | 1 PC | | | | |

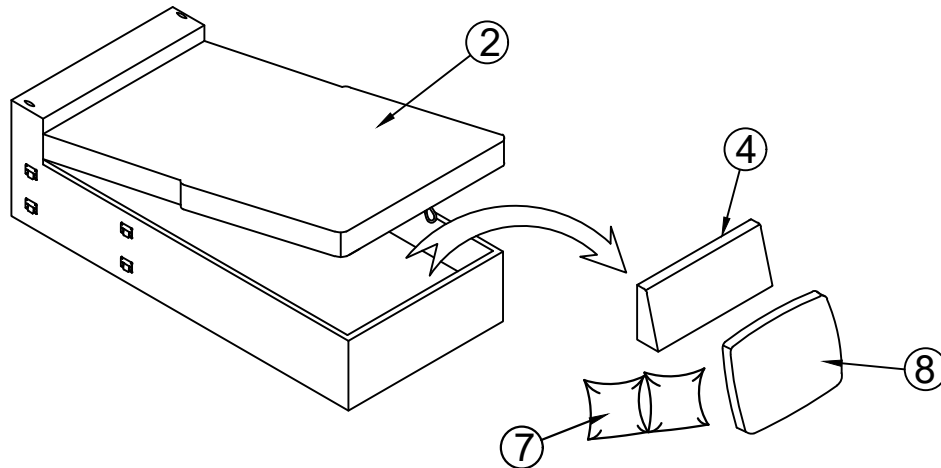
HARDWARE LIST

| No | Description | Sketch | Q'ty |
|----|----------------|---|------|
| A | Allen key |  | 1PC |
| B | Bolt 1/4"X20mm |  | 4PCS |

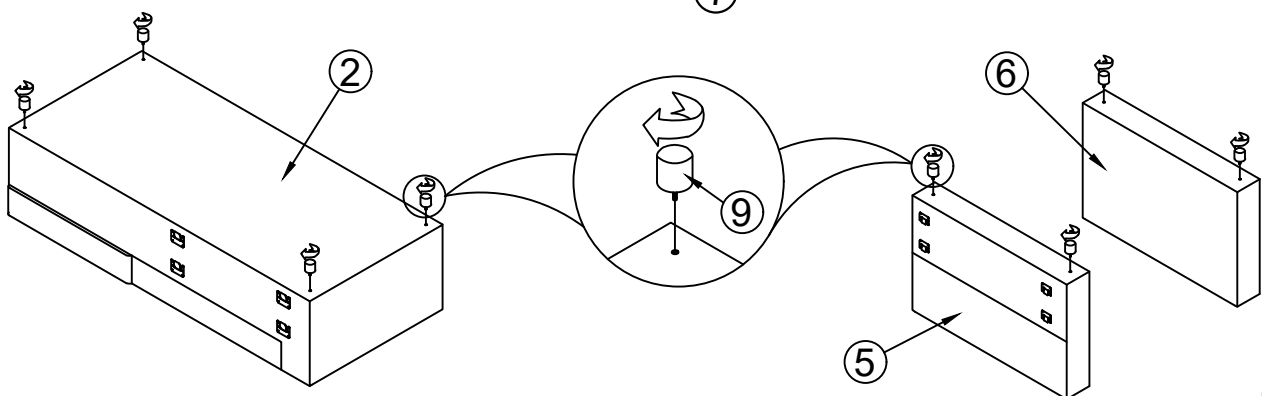
HARDWARE LIST

| No | Description | Sketch | Q'ty |
|----|--------------------|---|------|
| C | Flat Washer 1/4" |  | 4PCS |
| D | Plastic leg button |  | 4PCS |

Step 1 :



Step 2 :



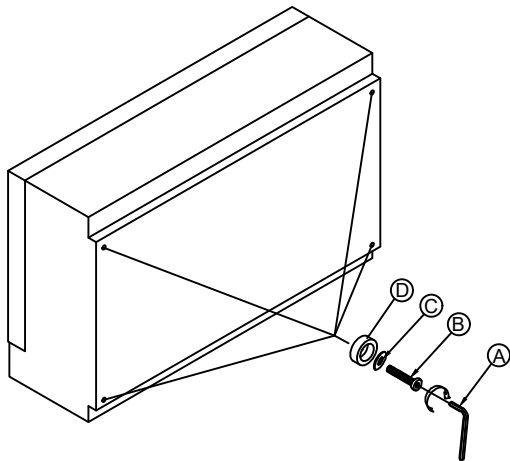
ASSEMBLY INSTRUCTION

ITEM NO.: WF299207

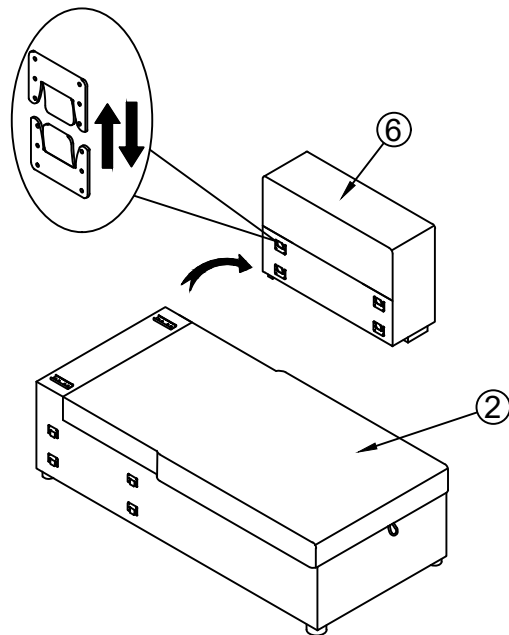
WF299208

WF299209

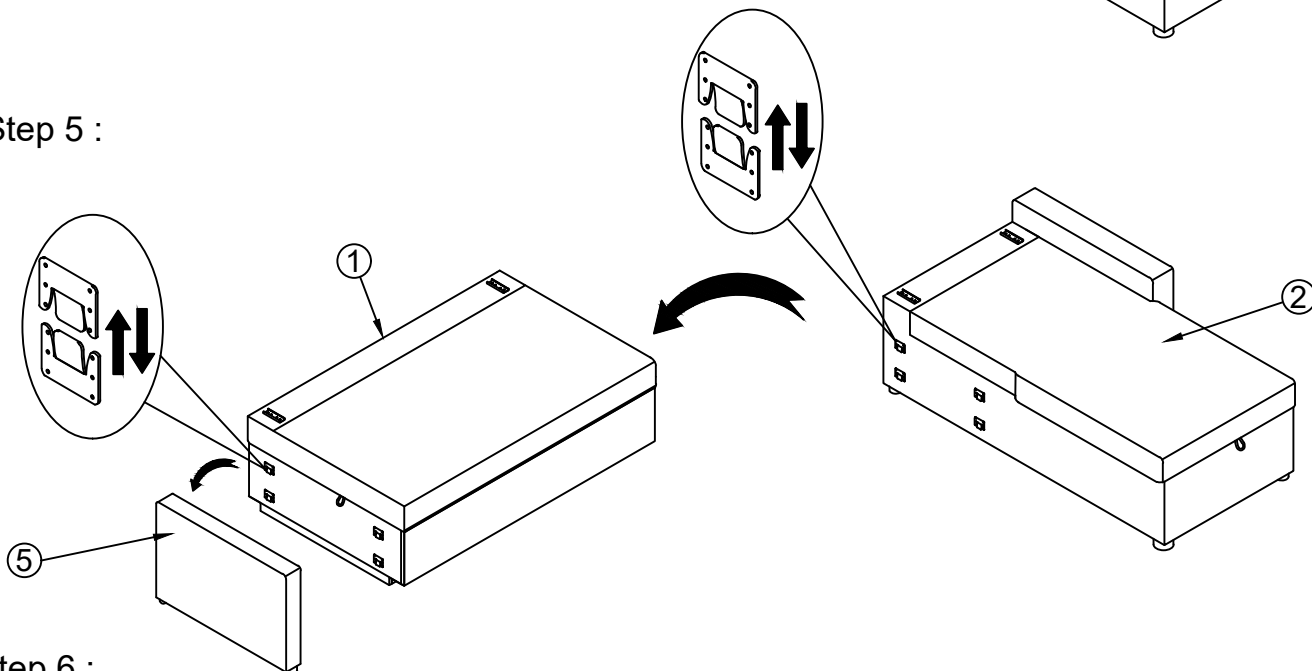
Step 3 :



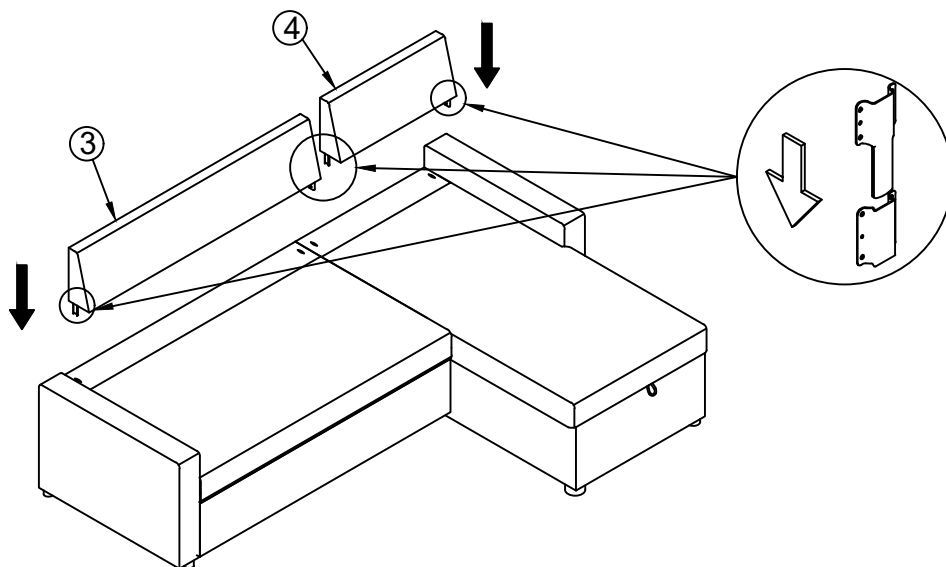
Step 4 :



Step 5 :



Step 6 :



ASSEMBLY INSTRUCTION

ITEM NO.: WF299207

WF299208

WF299209

Step 7 :

