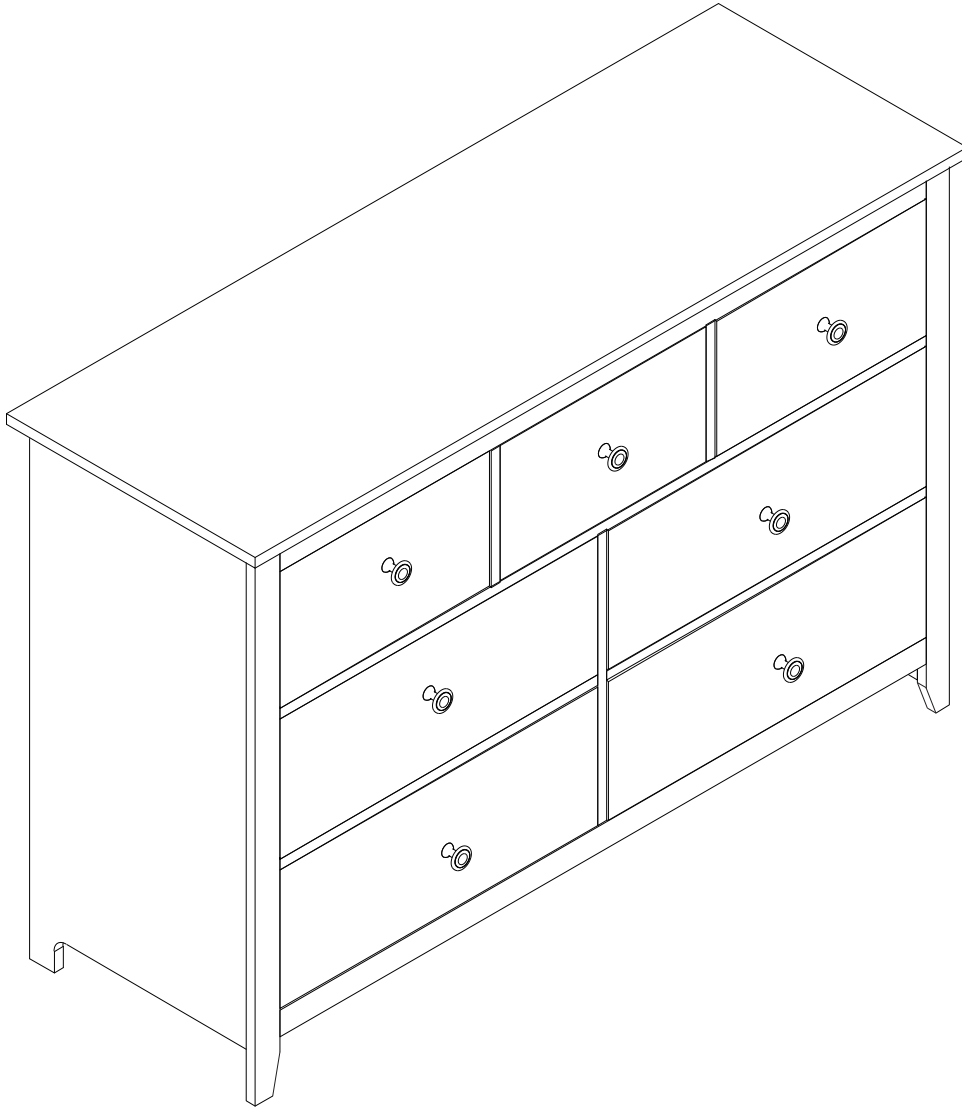
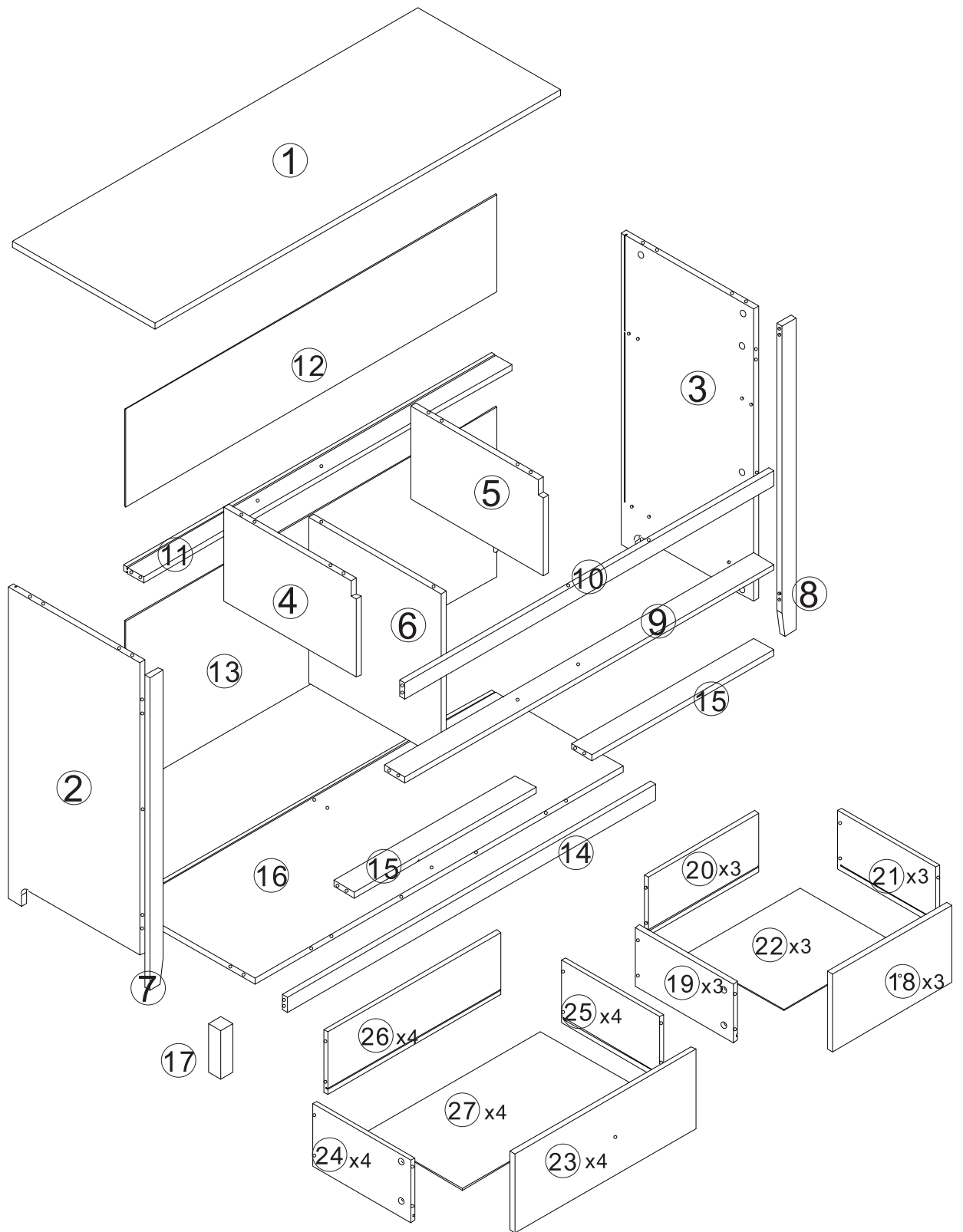


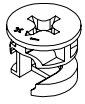
INSTRUCTION MANUAL



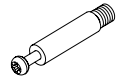
THIS INSTRUCTION BOOKLET CONTAINS IMPORTANT INFORMATION. PLEASE READ AND KEEP FOR FUTURE REFERENCE

**We stand behind we sell. If you are not satisfied with your purchase
Please don't hesitate to contact us.**

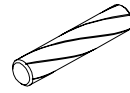




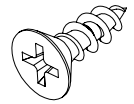
Ax70



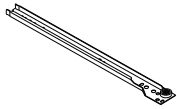
Bx70



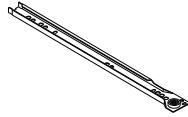
Cx24



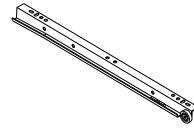
Dx58



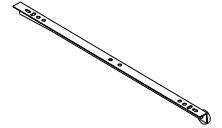
Ex7



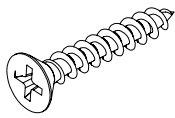
Fx7



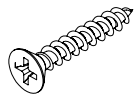
Gx7



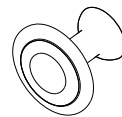
Hx7



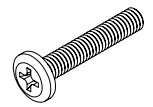
Ix8



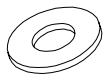
Jx28



Kx7



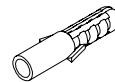
Lx7



Mx4



Nx2

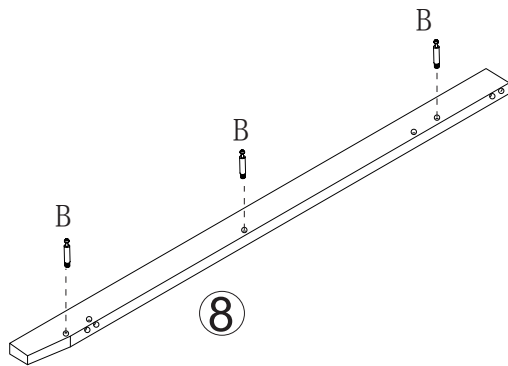
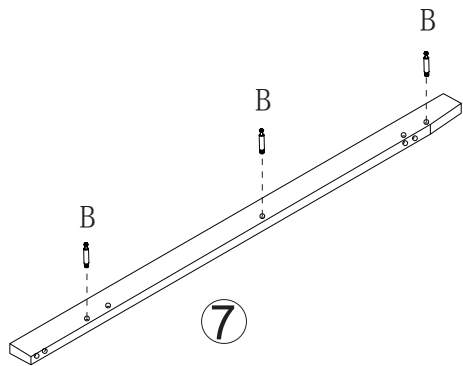


Ox2



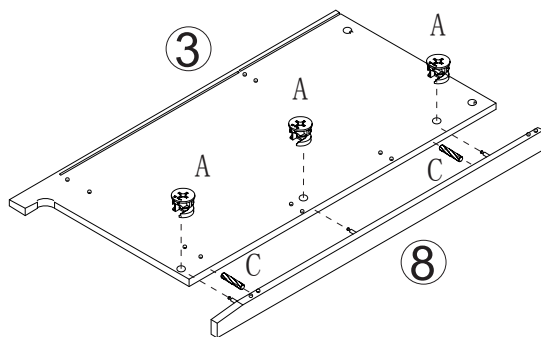
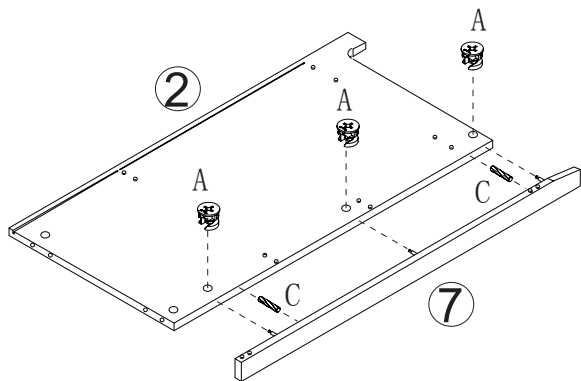
Px4

Step 1



Bx6

Step 2

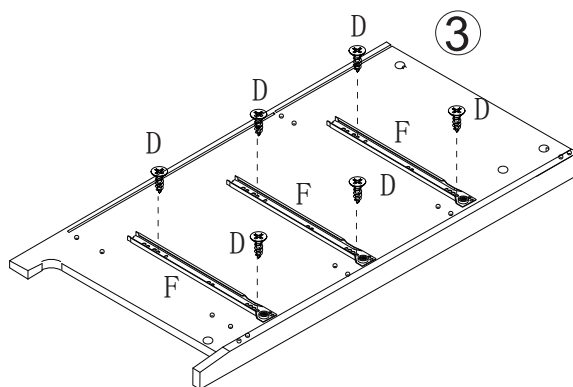
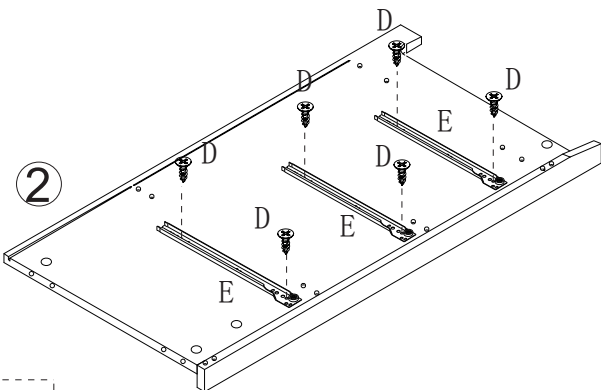
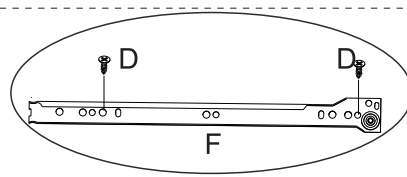
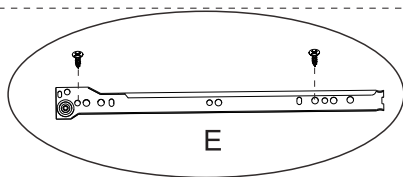


Ax6



Cx4

Step 3



Dx12

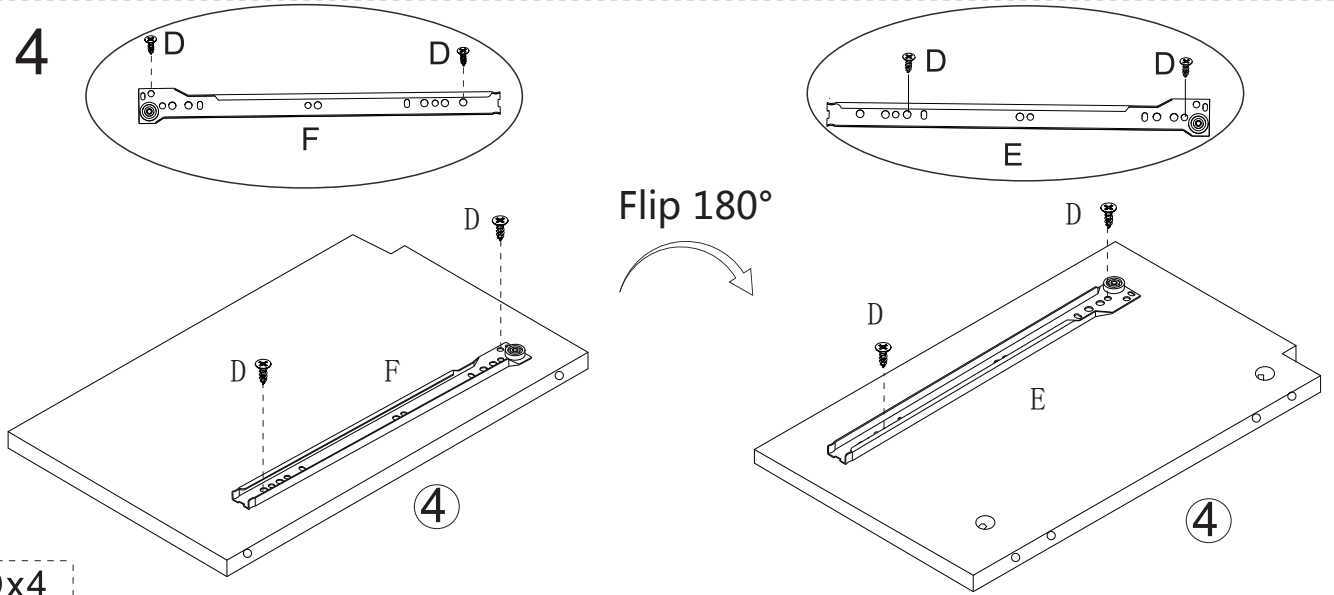


Ex3



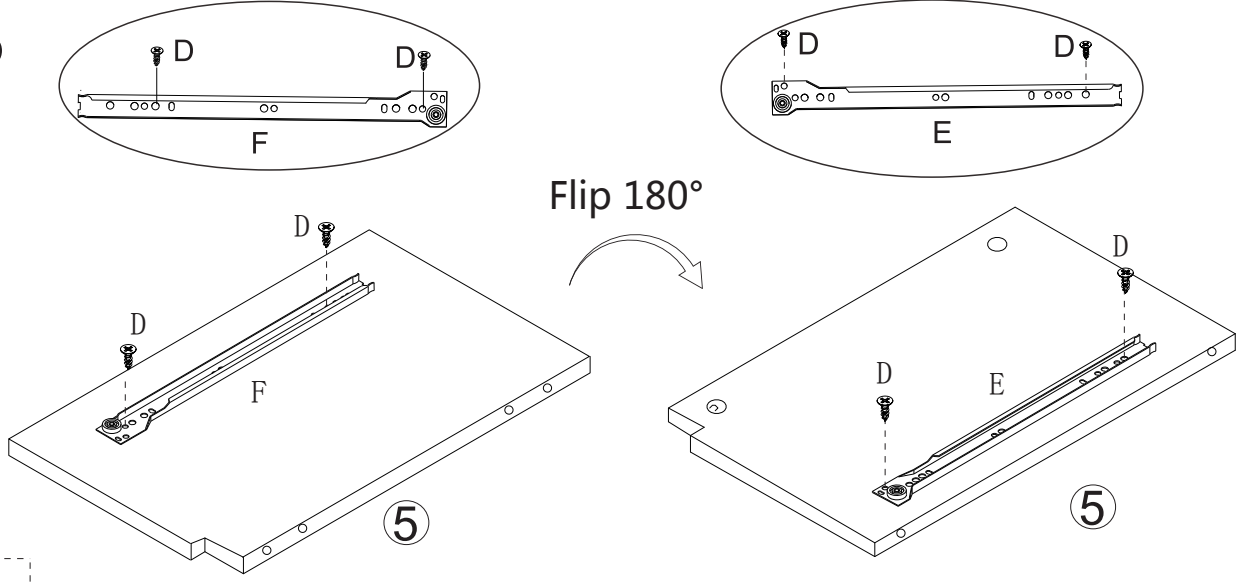
Fx3

Step 4



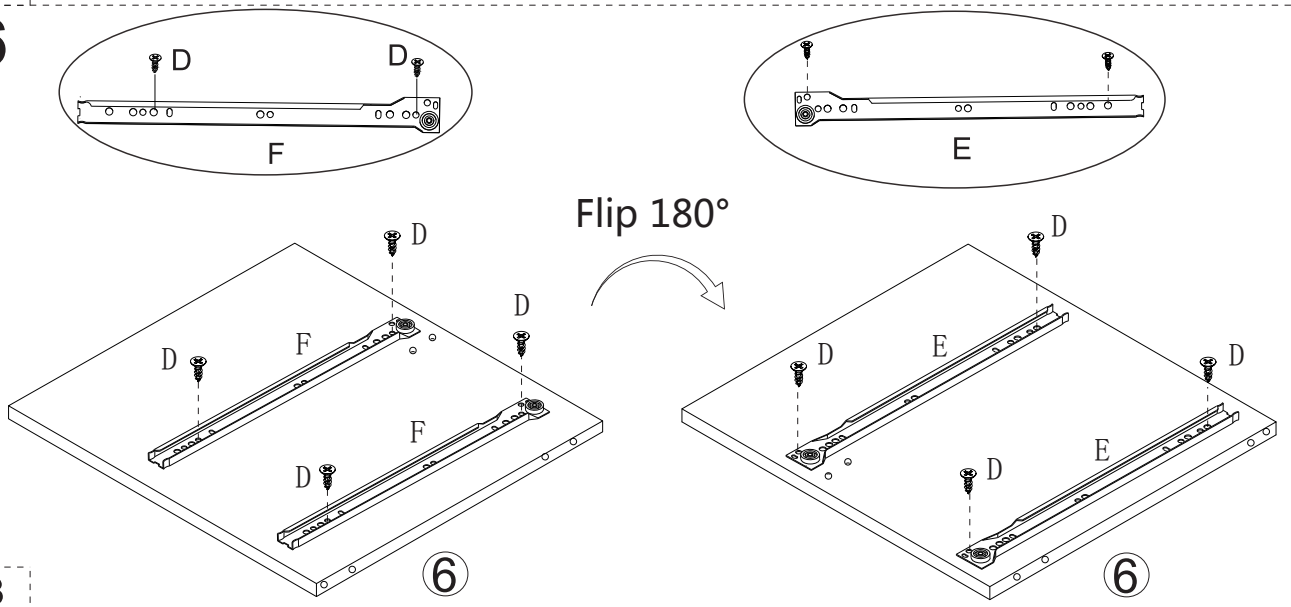
- Dx4
- Ex1
- Fx1

Step 5



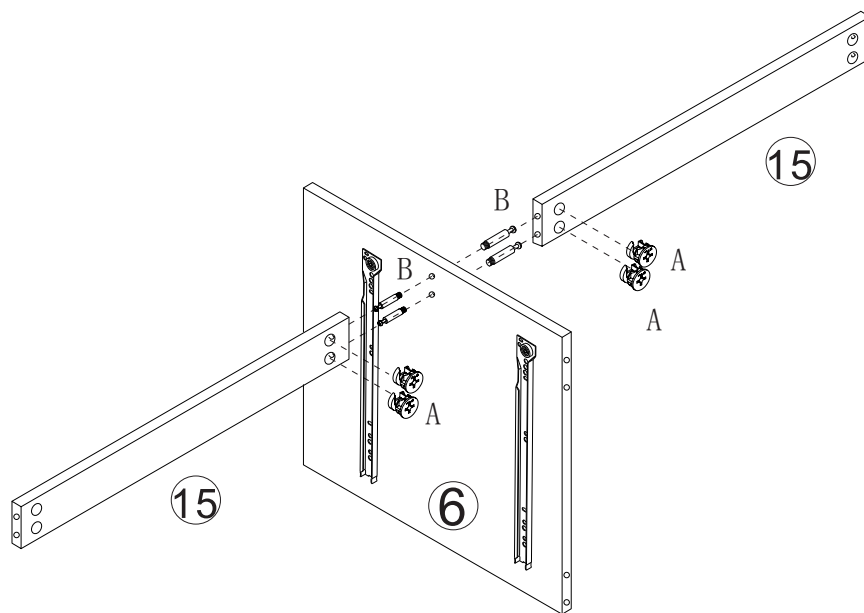
- Dx4
- Ex1
- Fx1

Step 6



- Dx8
- Ex2
- Fx2

Step 7

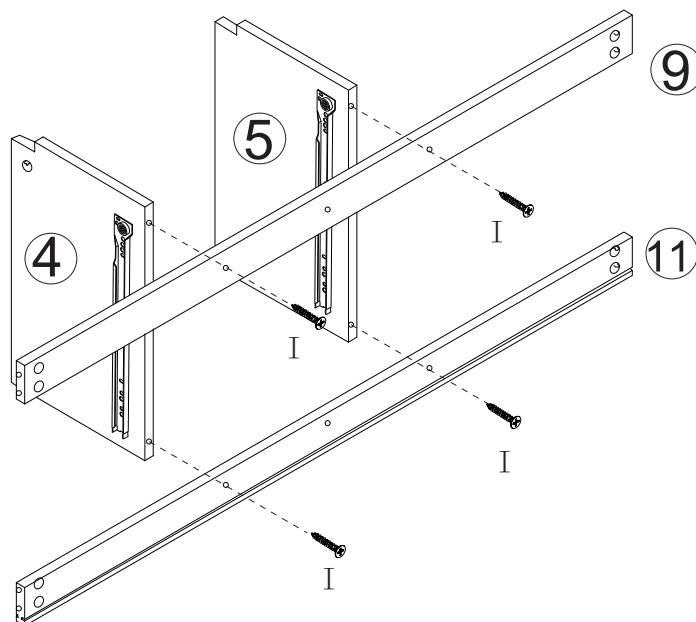


Ax4



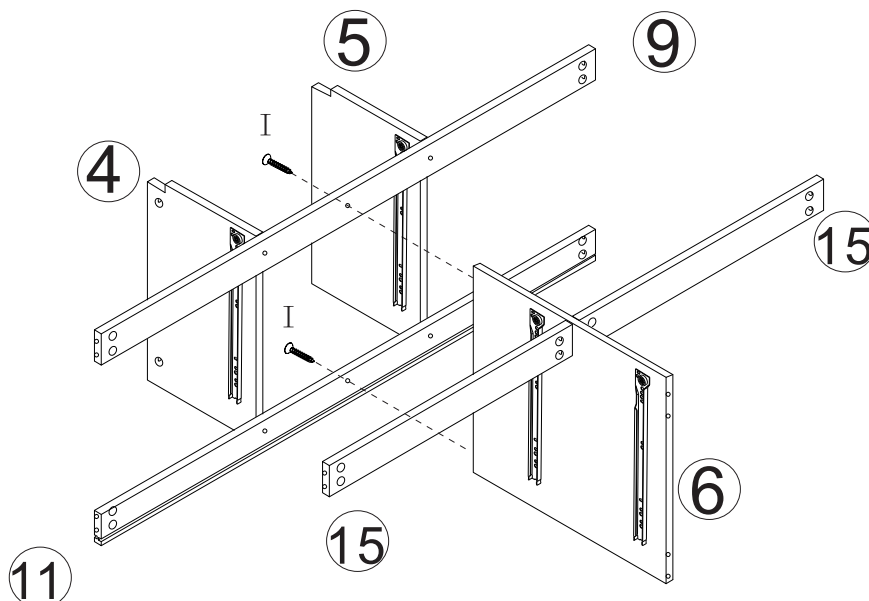
Bx4

Step 8



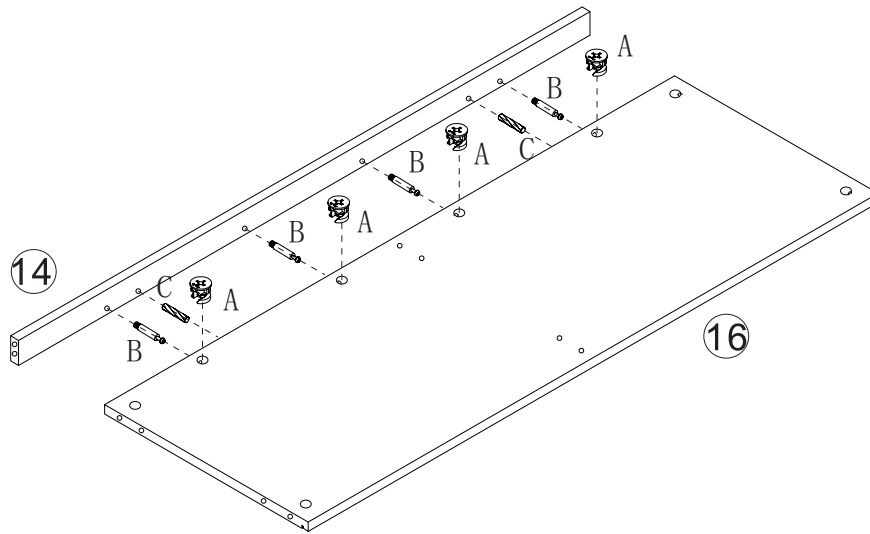
Ix4




Step 9



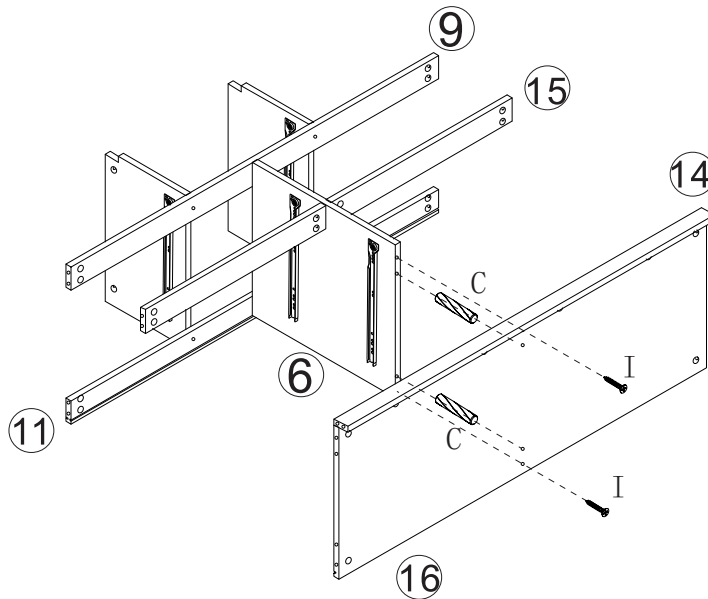
Ix2



Step 10



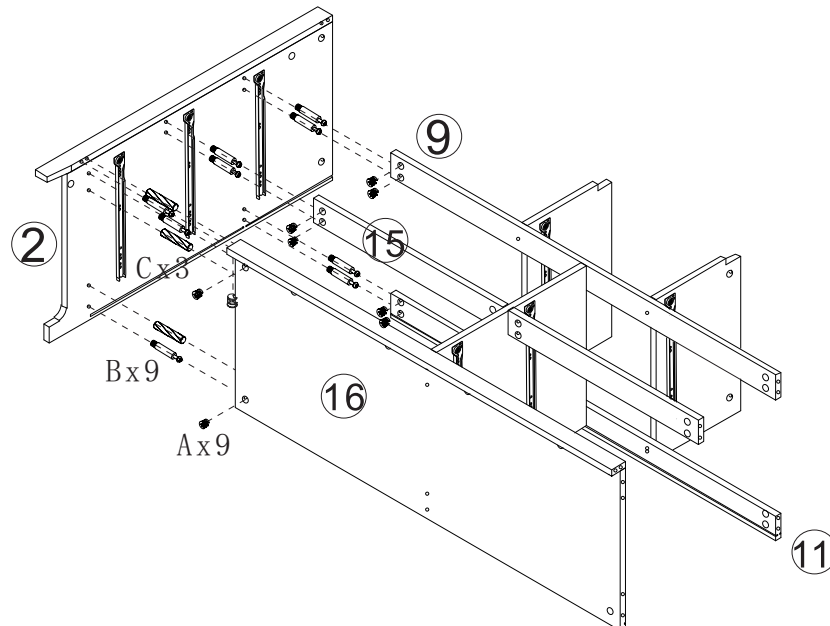
- | | |
|--|-----|
|  | Ax4 |
|  | Bx4 |
|  | Cx2 |




Step 11



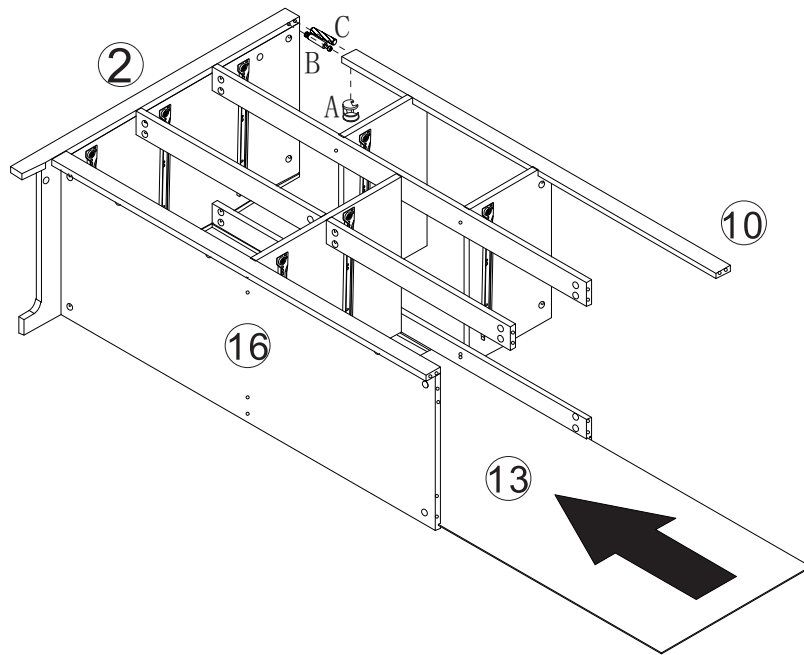
- | | |
|--|-----|
|  | Cx2 |
|  | Ix2 |

Step 12



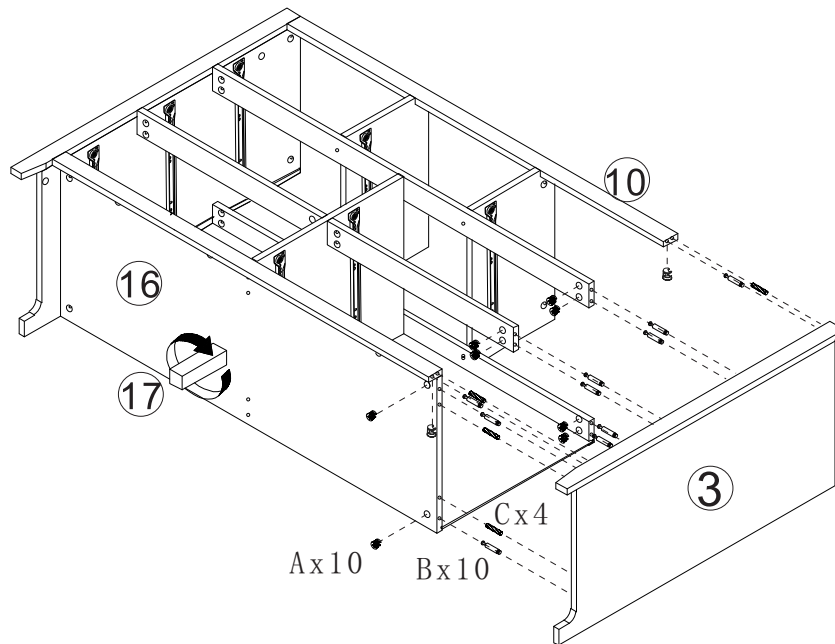
- | | |
|--|-----|
|  | Ax9 |
|  | Bx9 |
|  | Cx3 |

Step 13



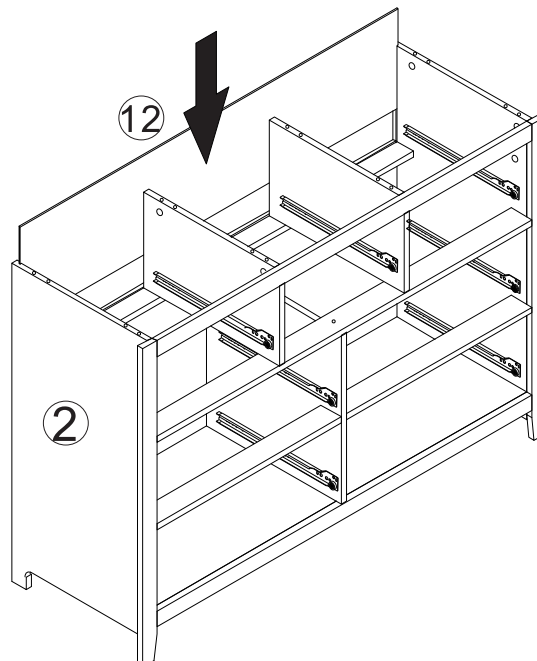
- Ax1
- Bx1
- Cx1

Step 14

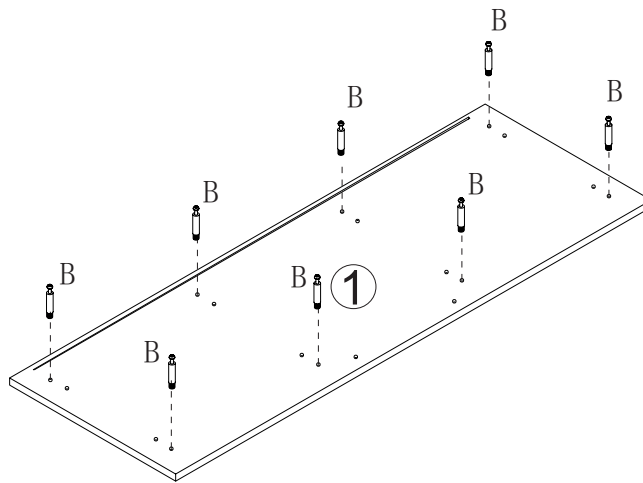


- Ax10
- Bx10
- Cx4

Step 15

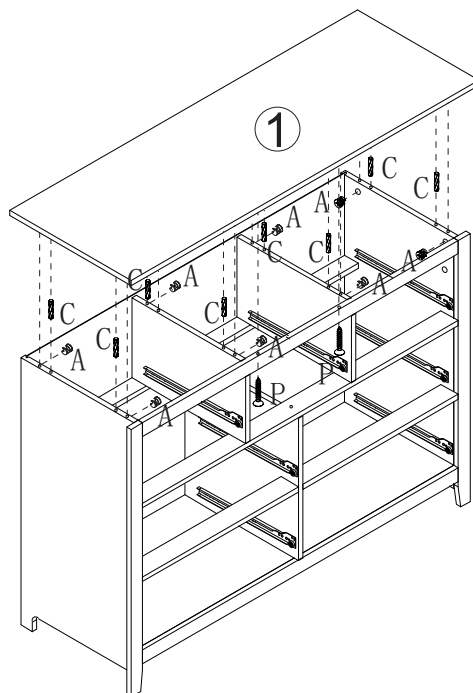


Step 16



Bx8

Step 17



Ax8

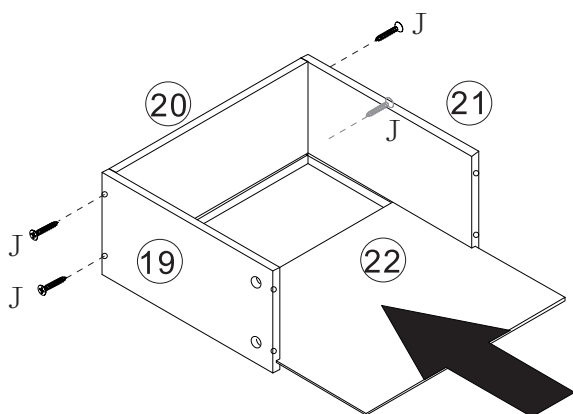


Cx8



Jx2

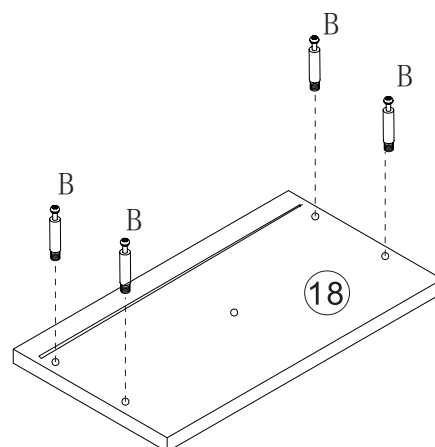
Step 18 x3



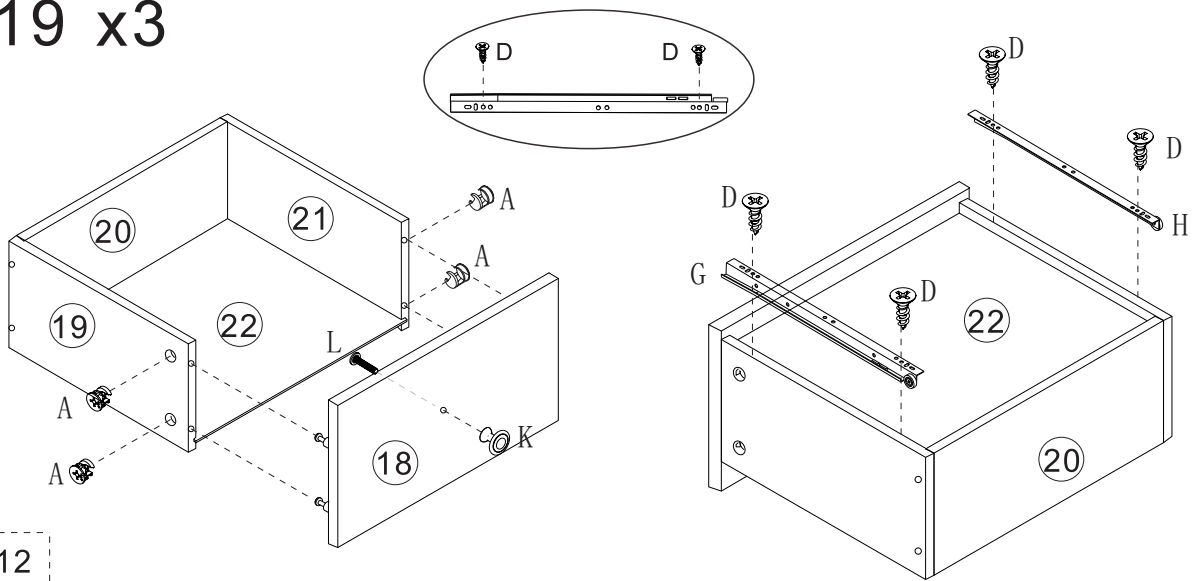
Bx12



Jx12

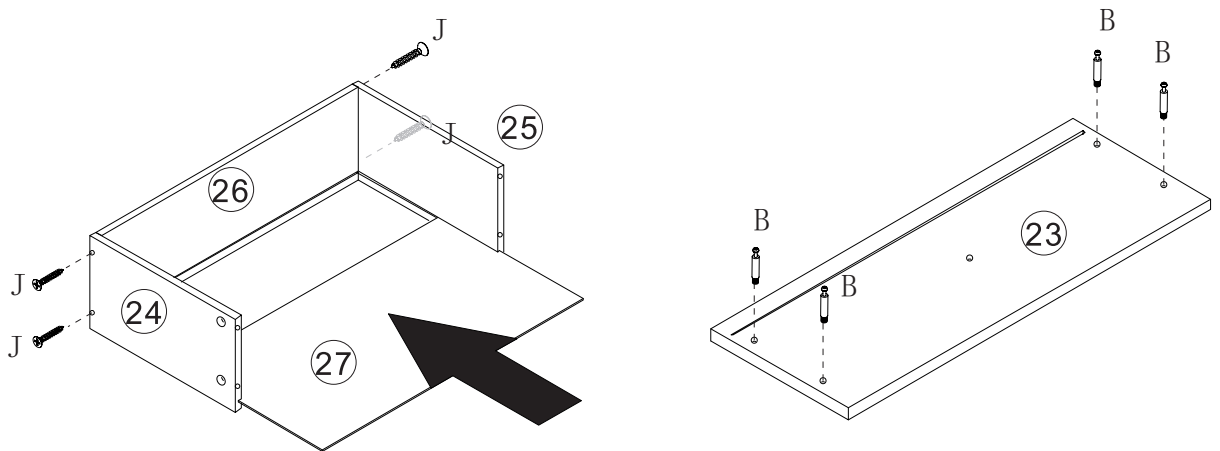


Step 19 x3



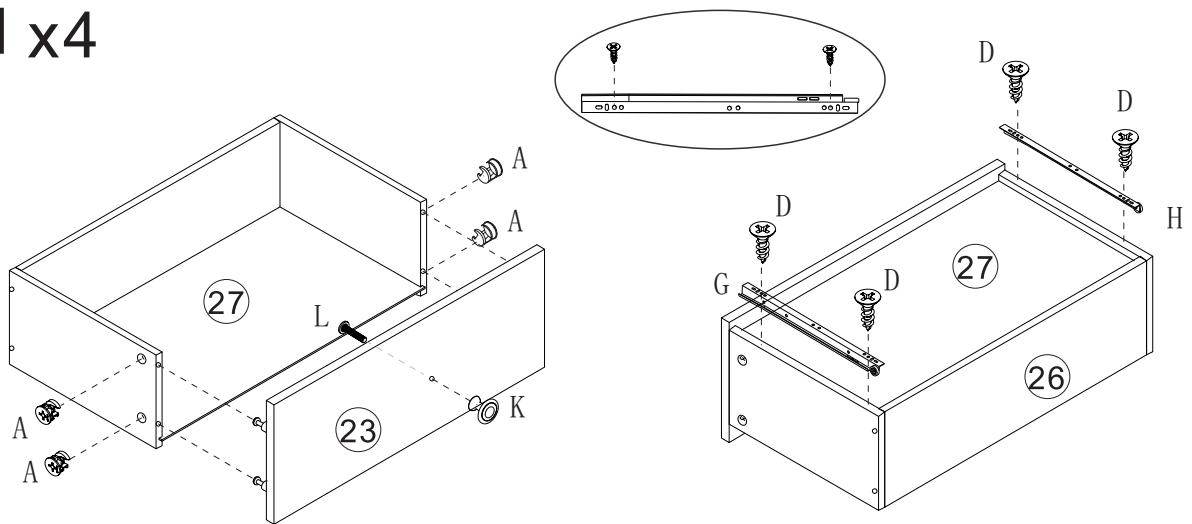
	Ax12		Dx12		Hx3
	Gx3		Kx3		Lx3

Step 20 x4



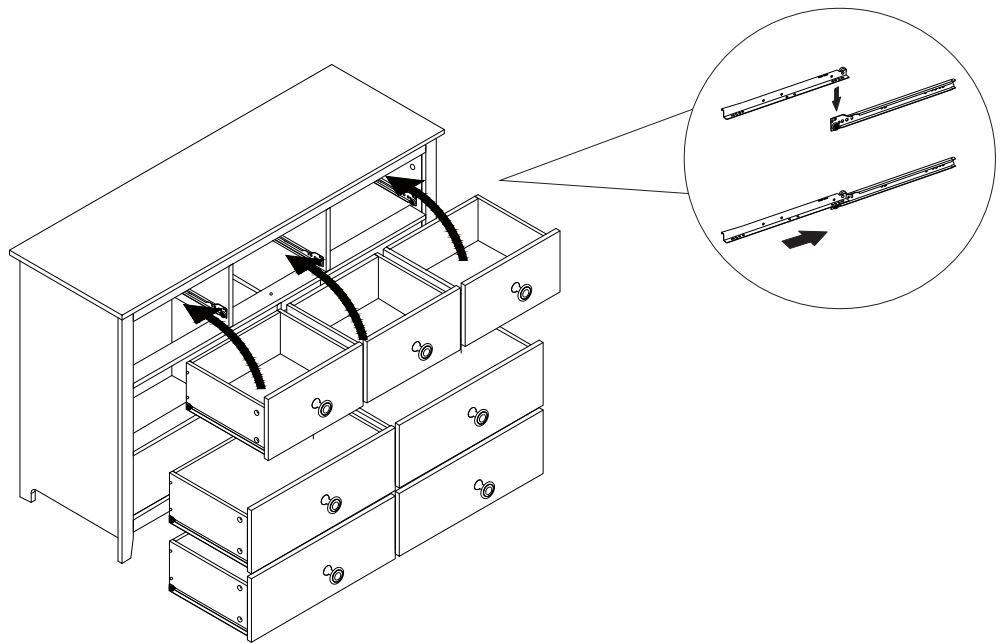
	Bx16
	Jx16

Step 21 x4

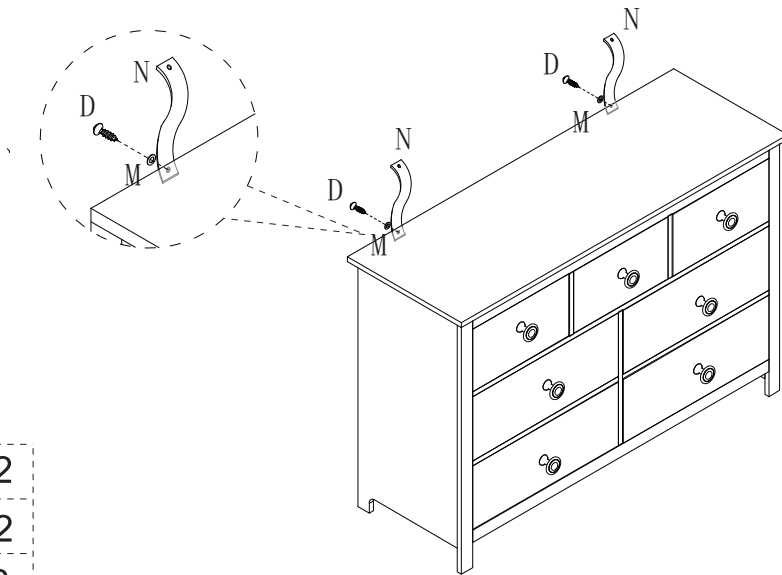





	Ax16		Dx16		Hx4
	Gx4		Kx4		Lx4

Step 22

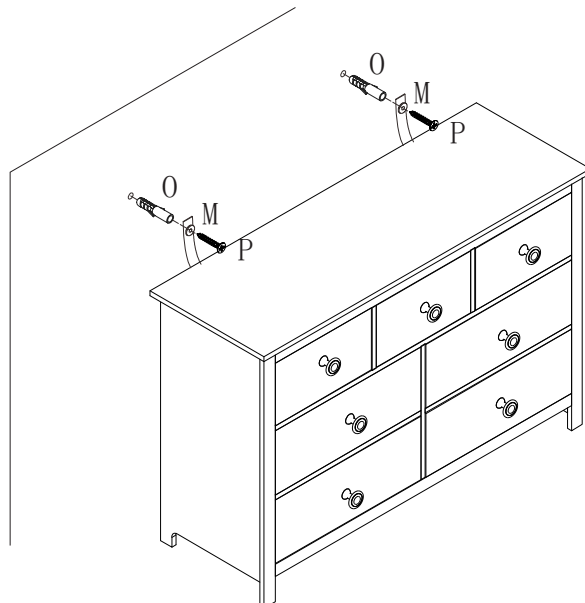





Step 23



	Dx2
	Mx2
	Nx2

Step 24



	Mx2
	Ox2
	Px2