
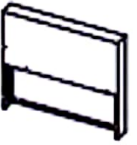
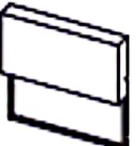







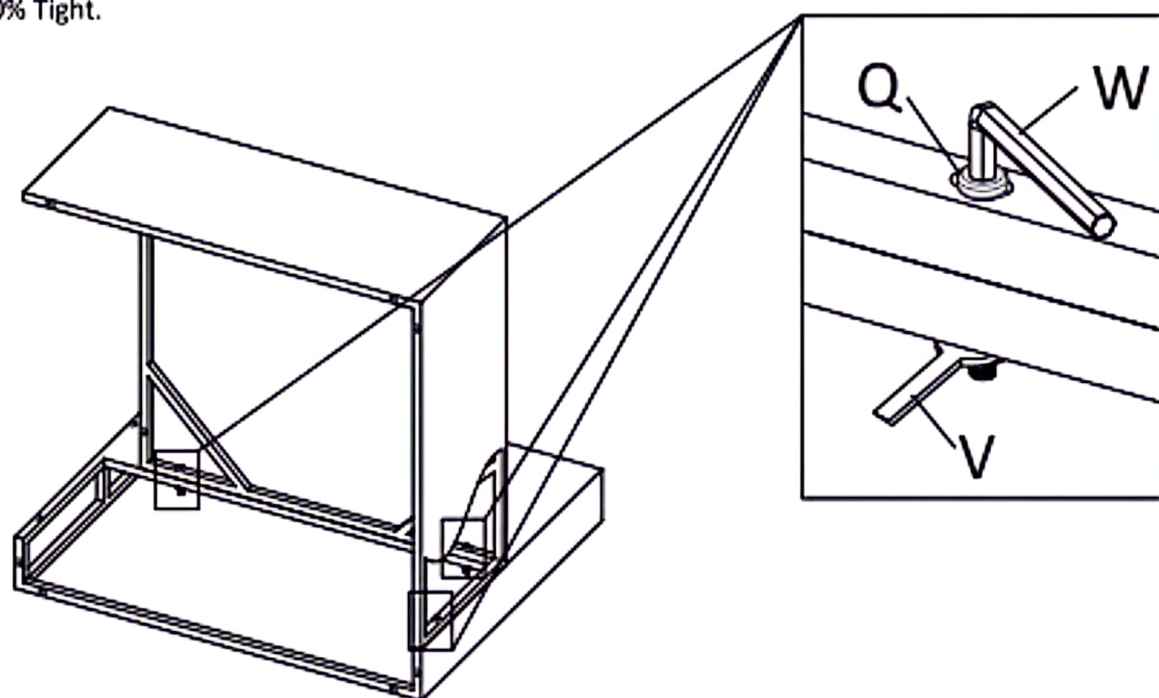
Packing List of Box C

Box	Img	Part Name	Label No.	Qty
Box C		Corner Sofa Seat Part	H	2
		Corner Sofa Long Back Part	I	2
		Corner Sofa Short Back Part	J	2
		Short Back Cushion With Cover	SBCC	2
		Long Back Cushion With Cover	LBCC	2
		Seat Cushion With Cover	SCC	2
		High L-Shaped Feet	O	8
		U-Shaped Connector	U	4
	-	Instructions	-	1
	-	Screw Set	SSC	1

Corner Sofa

 Do not use machine  Two Persons together  Need 25mins roughly

Tips:Do not 100% Tight.



I x 1



H x 1



M6x50(Q) x 3

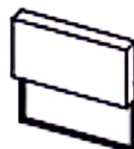
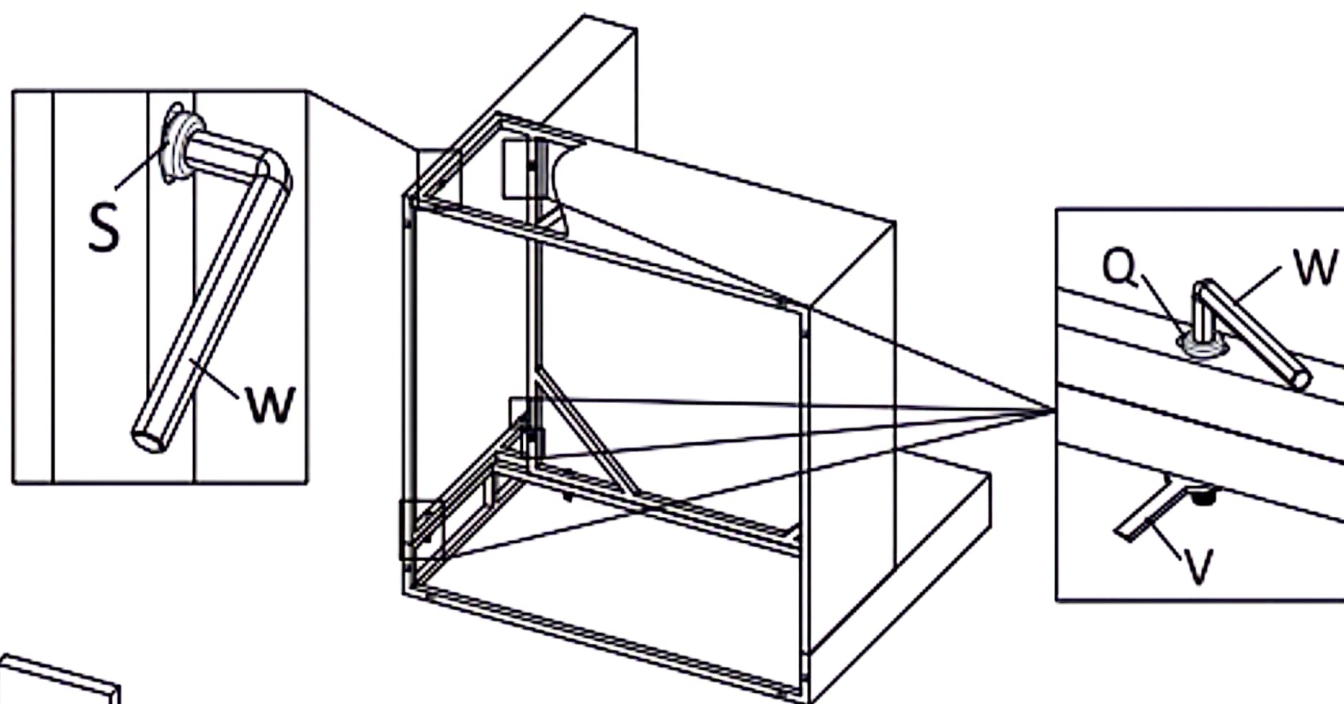


Wrench(V) x 1



Spanner(W) x 1

Tips:Screws 100% Tight This Step.



J x 1



M6x50(Q) x 4



M6x30(S) x 1



Wrench(V) x 1



Spanner(W) x 1

Corner Sofa



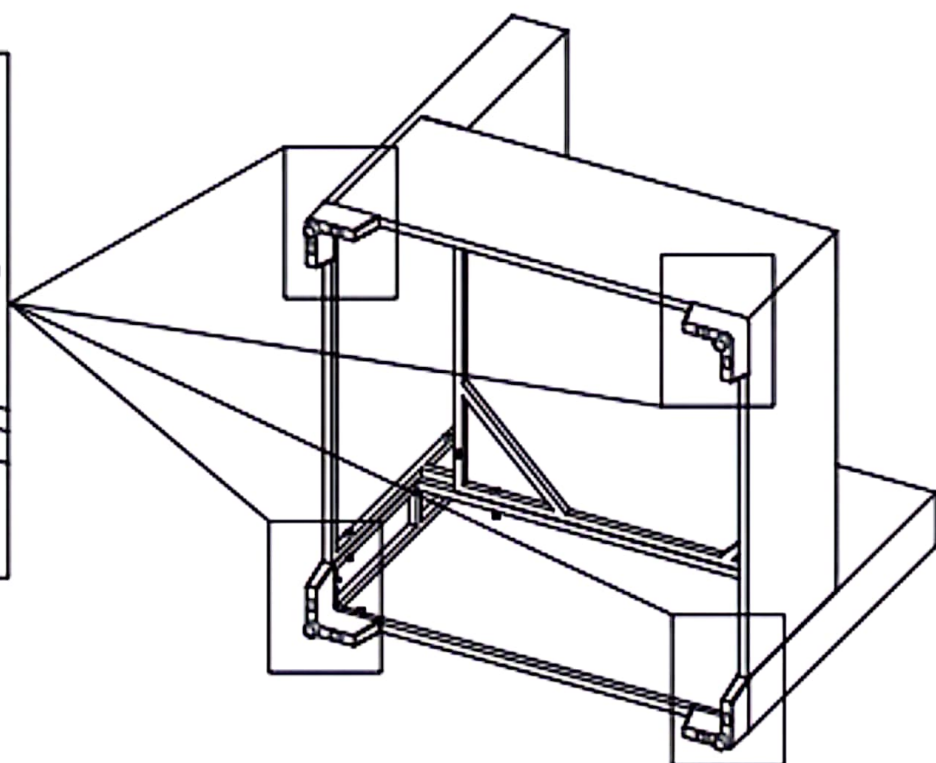
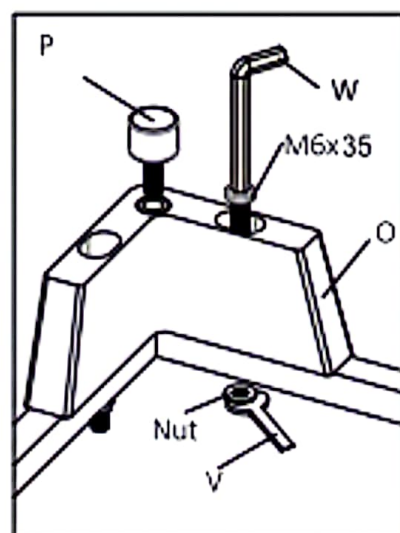
Do not use machine



Two Persons together



Need 25mins roughly



High L-Shaped Feet x 4



Screw Feet(P) x 4



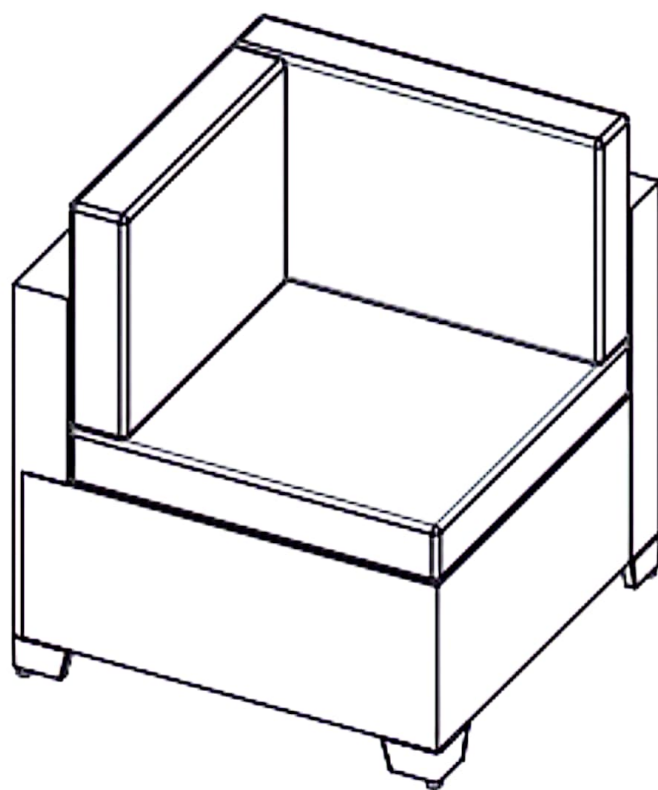
M6x35x 8



Wrench(V) x 1



Spanner(W) x 1



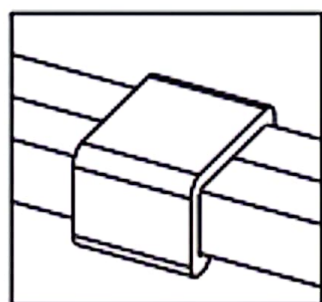
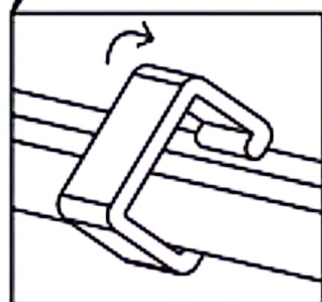
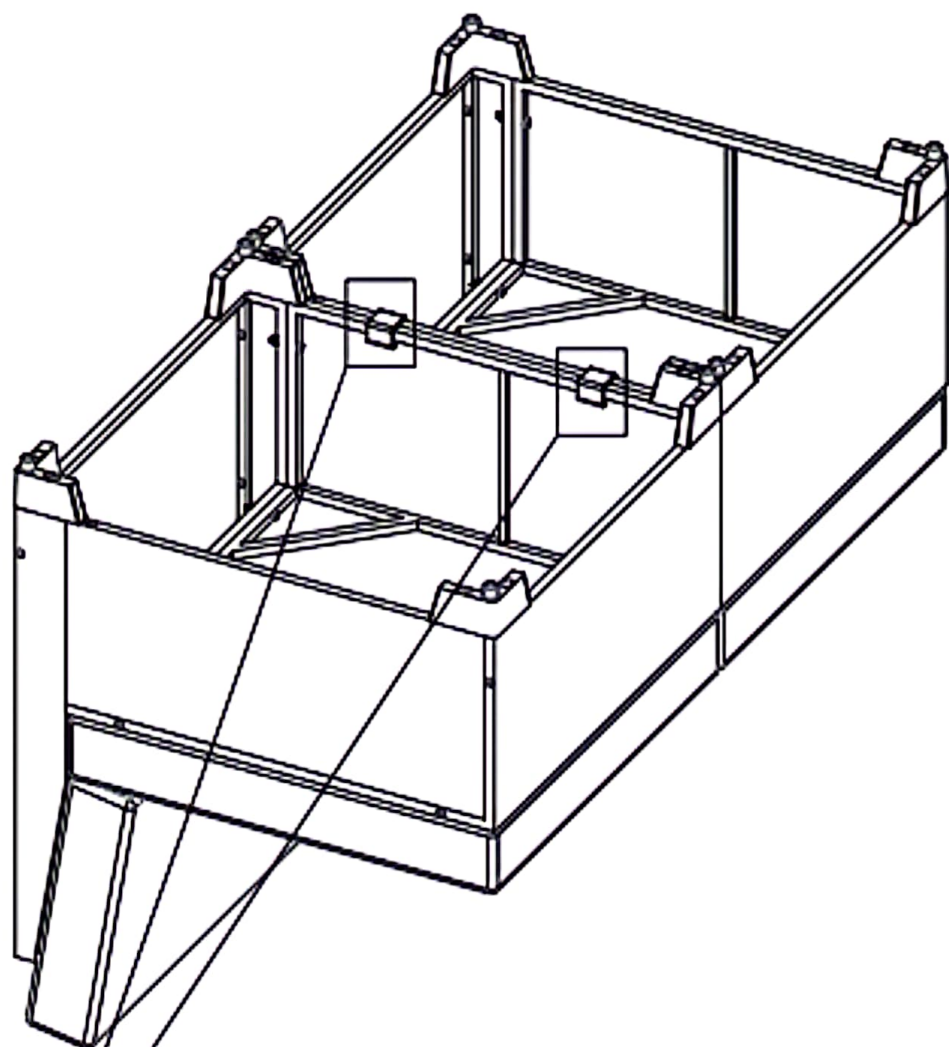
Tips:

Seat Cushion x 1

Long Back Cushion x 1

Short Back Cushion x 1

U-Shaped Connector



Notice:
Do not use tools such as hammers;
You can scald it with hot water to soften it.

Velcro installation



Do not use machine



Two Pieces together



Need 20min roughly

Step 1: Tuck the prickly tie out of the seam at the bottom of the sofa. Pull out the prickly tie from the surface of the sofa to spread out and adjust to the right position.

