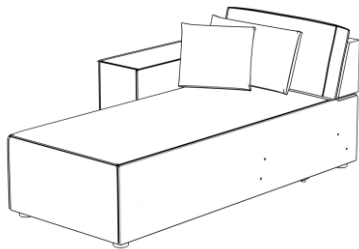
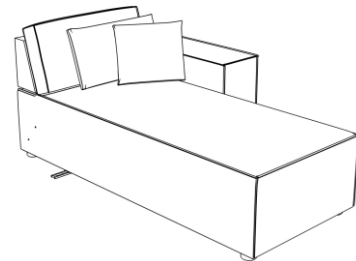


# ASSEMBLY INSTRUCTION

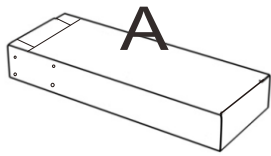


LFET

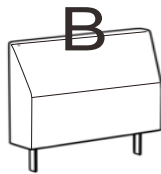


## PARTS LIST

BOX:89116-CH/89117-CH



A

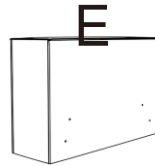


B



D  
Leg x4

BOX:89116-ARM/89117-ARM



E

x2

BackPillow



x2

Pillow



x2

## HARDWARE LIST INSIDE BOX-89116-ARM/89117-ARM



1

x8



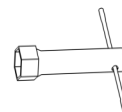
2

x8



3

x8



4

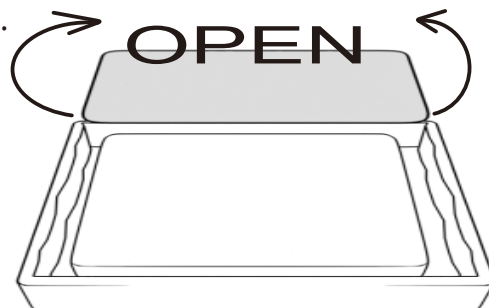
x1



D

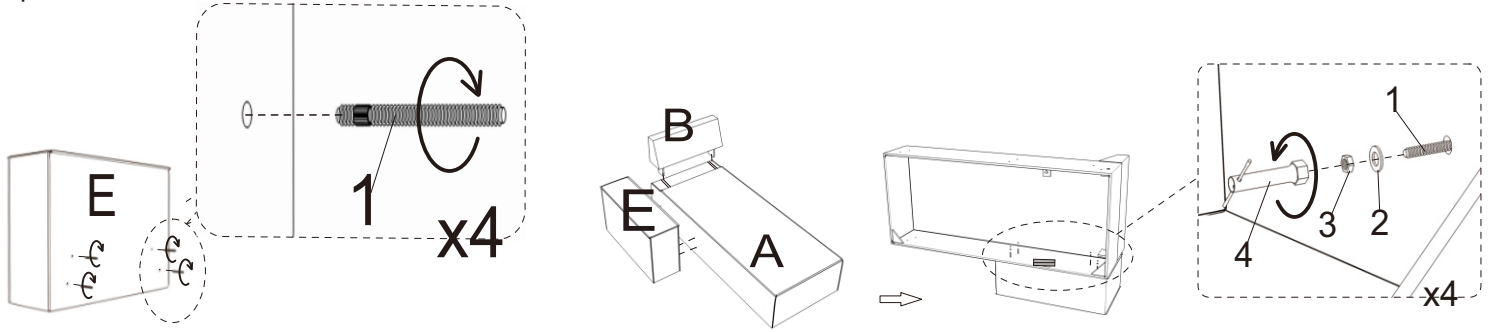
x4

Open up Velcro of Non-Woven Fabric cover on the bottom of the seat frame to remove legs, backrest and pillow.



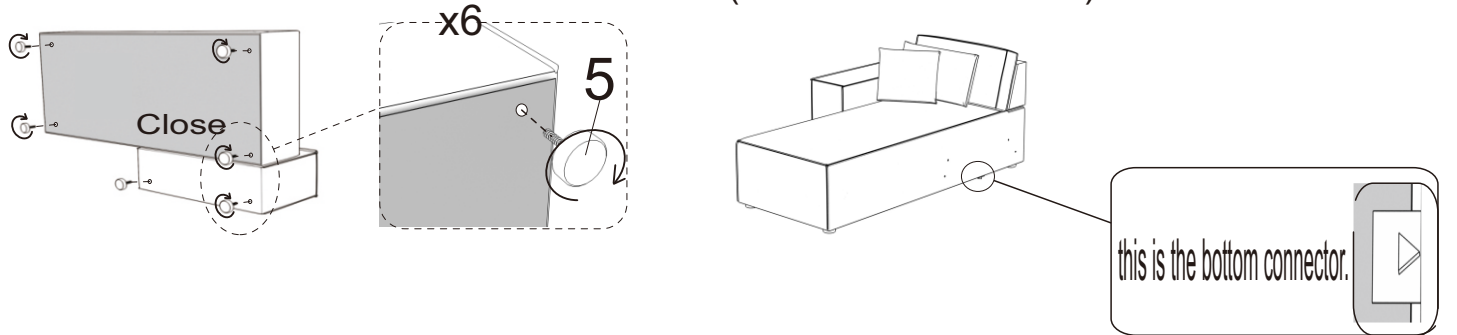
# LEFT ASSEMBLY INSTRUCTION

Step1



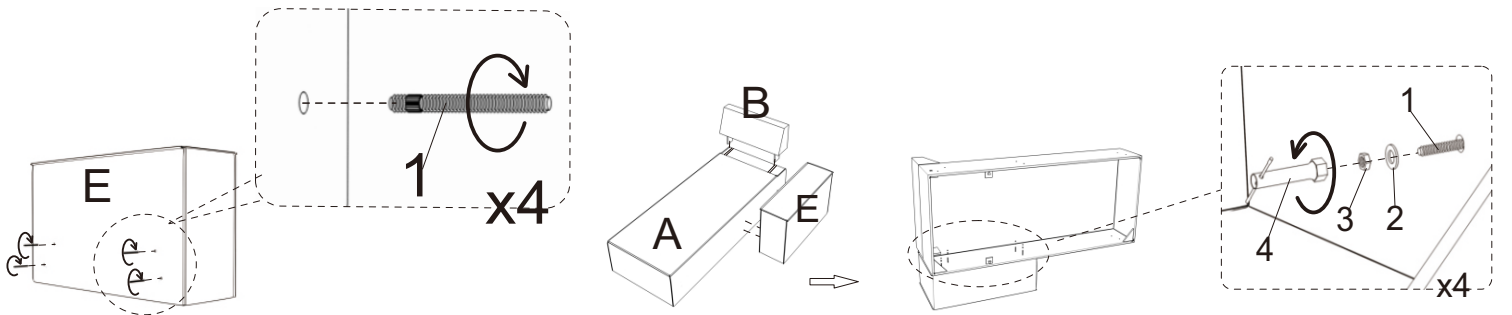
Step2

(89116-CH/89117-CH) LFET



# RIGHT ASSEMBLY INSTRUCTION

Step1



Step2

