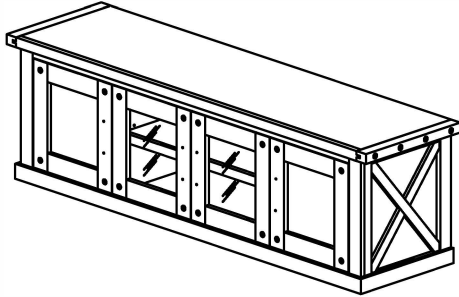
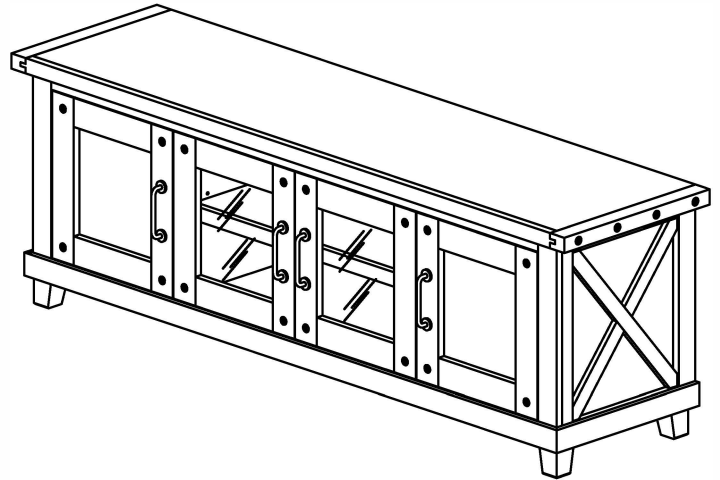


4 DOOR ENTERTAINMENT CENTER ASSEMBLY INSTRUCTIONS

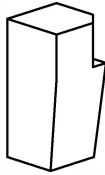
A. CASE GOOD 1PC



4 DOOR ENTERTAINMENT CENTER
ASSEMBLY INSTRUCTIONS



B. LEGS 4PCS



C. SUPPORT LEG 2PCS

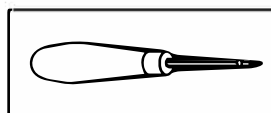


HARDWARE PACKED IN CARTON

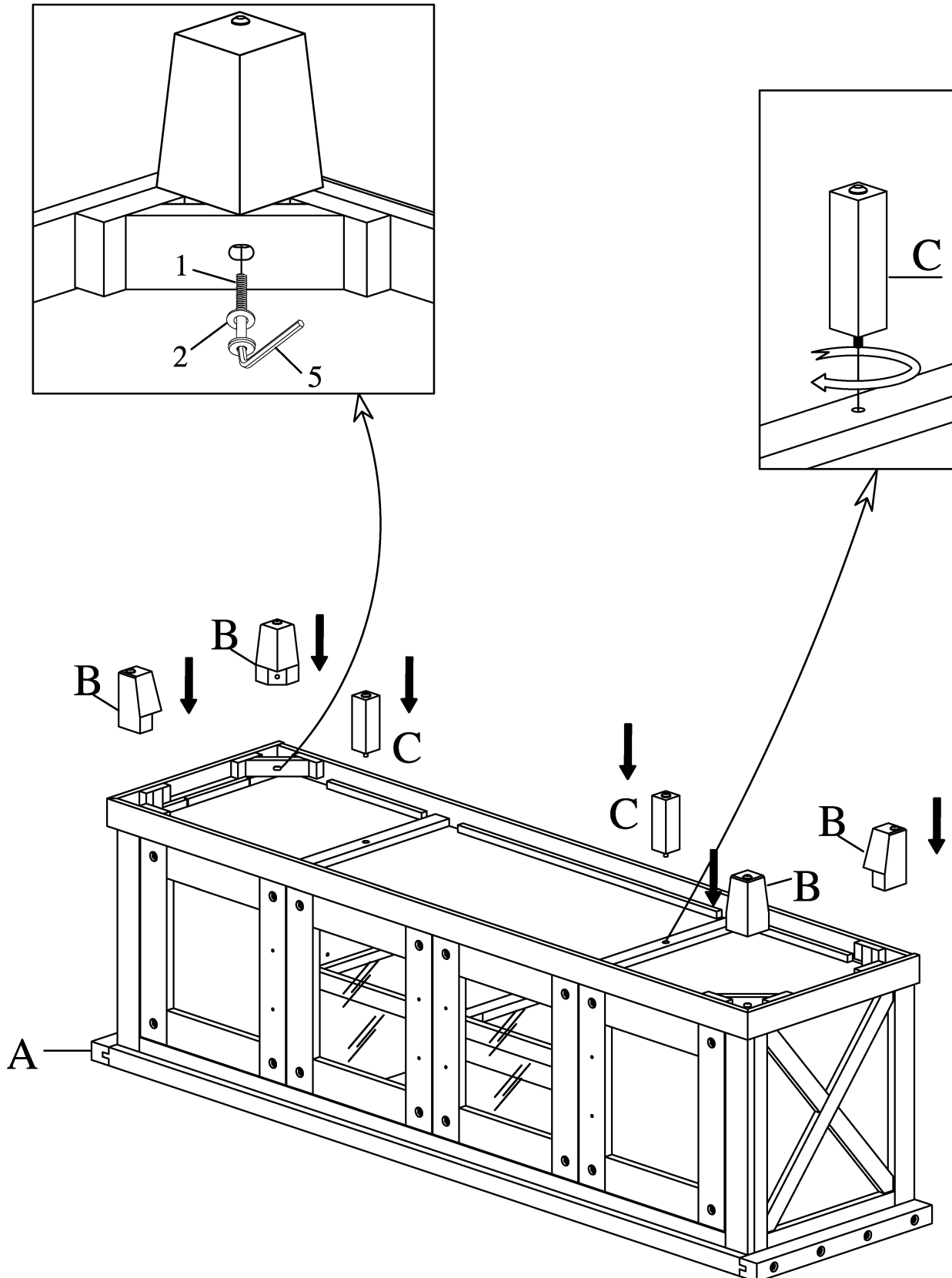
1	ALLEN BOLT (M6X50)	04 PCS	2	FLAT WASHER (M9)	04 PCS	3	HANDLE	04 PCS	4	THREADED BOLT (M4X30)	08 PCS	5	ALLEN KEY (M4)	01 PC

TOOL REQUIRED

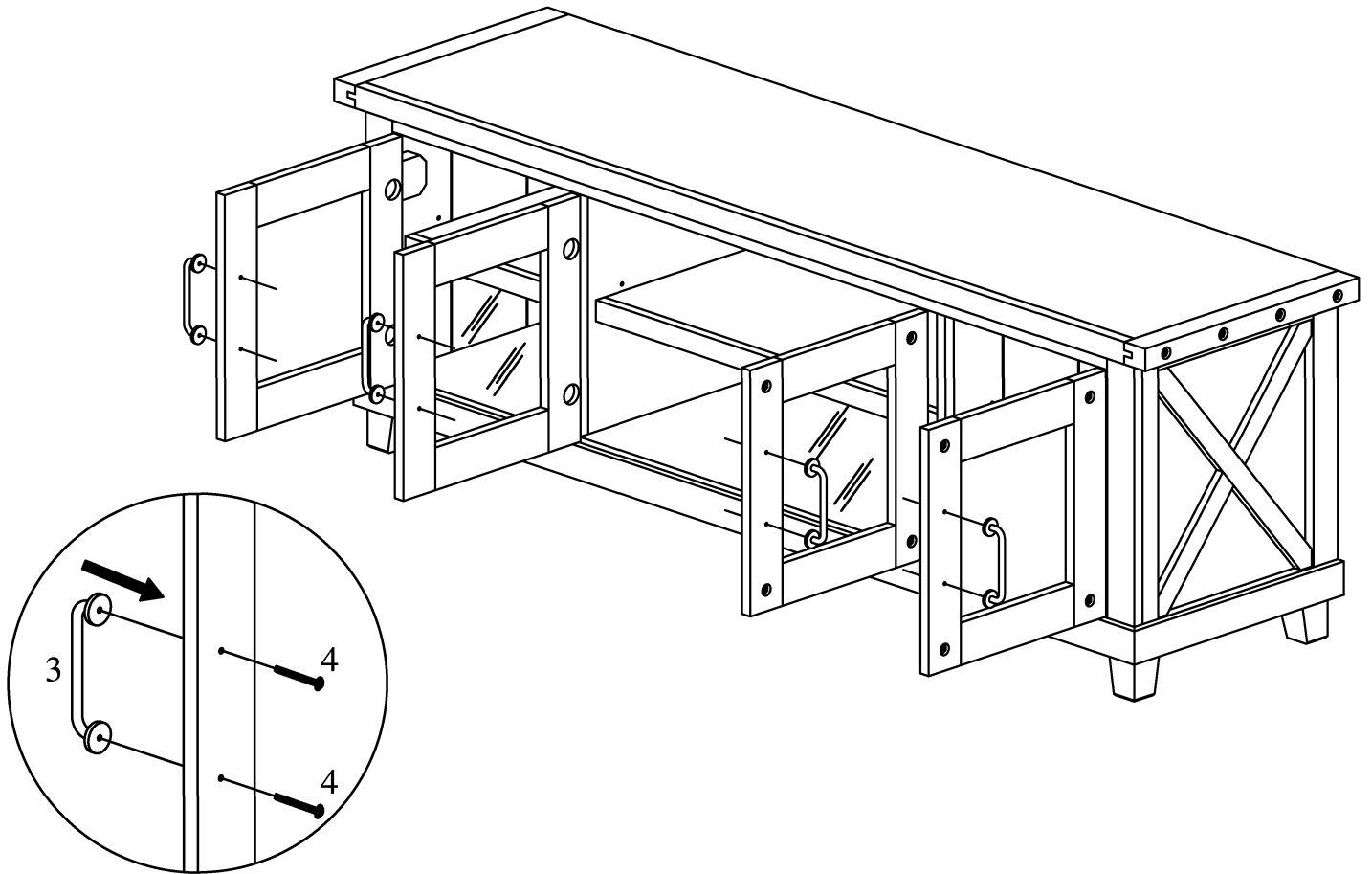
PHILLIPS HEAD SCREW
DRIVER NOT PROVIDED



STEP 1: WITH THE CASE GOOD (A) UPSIDE DOWN, ATTACH THE LEGS (B) AND SUPPORT LEG (C) PER THE ILLUSTRATION, USING ONE ALLEN BOLT (1) AND FLAT WASHSER (2) PER LEG. ATTACH THE CENTER LEG SUPPORT AS SHOWN.



STEP 2: ATTACH THE HANDLES (3) TO THE DOORS WITH PROVIDED SCREWS (4).



ASSEMBLY COMPLETE.

