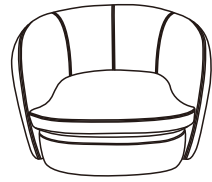
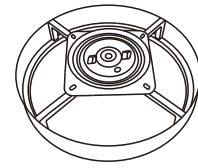


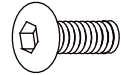
Ax1



Bx1



Cx4

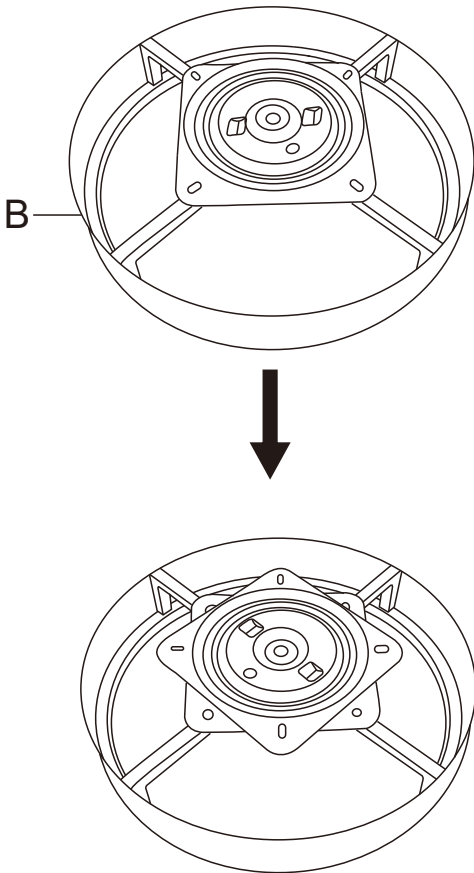


M6*20mm

Dx1



1



2

