

# Metal Storage Cabinet

## Instruction Manual

Your new Metal Storage Cabinet has arrived and it will make your life so much easier. That's why we put so much effort into designing it to perfectly fit your needs.

But first things first, we need to install it!

When we say 'we', we mean we're going to guide you, step by step.

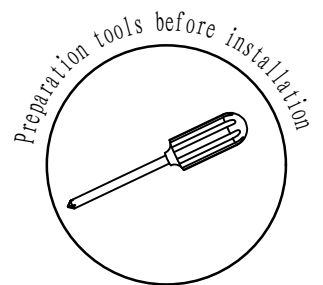
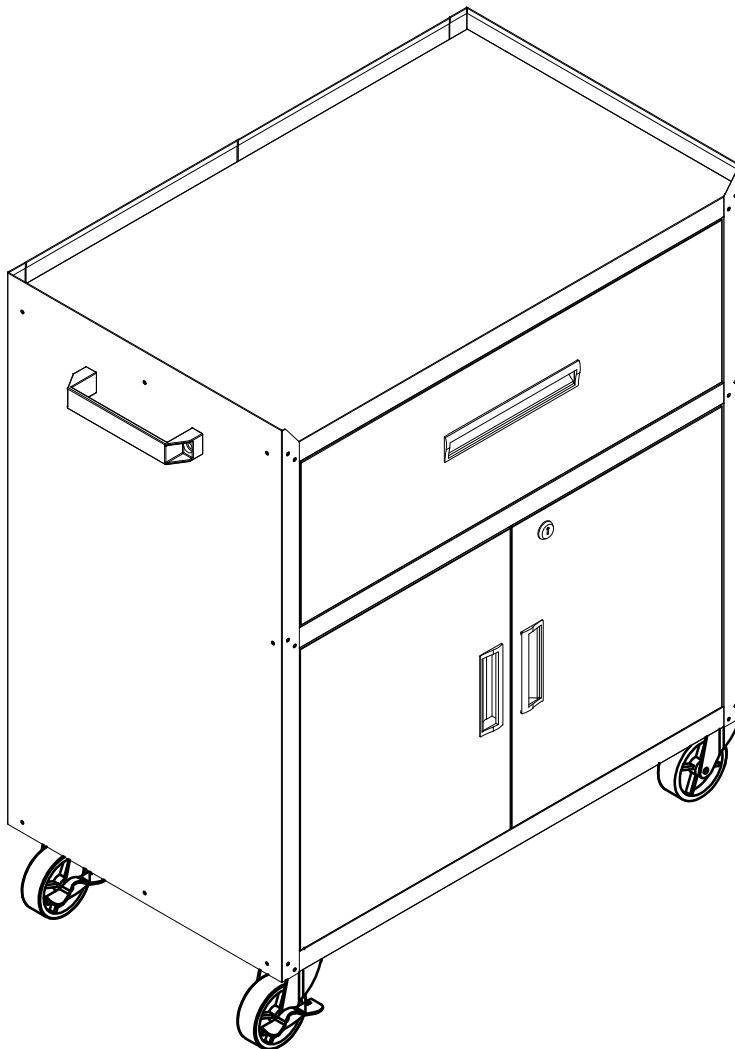
We created this instructions manual so that you won't feel overwhelmed and We also know that sometimes things just don't seem to fit, so don't hesitate to contact with our Customer Associate if you have questions or need help!

Missing A PART? DON' T WORRY, WE GOT YOUR BACK!

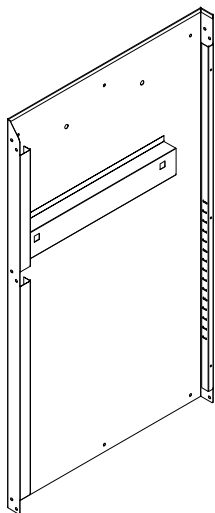
Compare the sketch on the next page with your package. Are all the pieces there? However, sometimes error happen, so if anything is missing or damage, just send us an email and we will make sure to fix it!

If you find scratches on the sides of the product after you open the package.

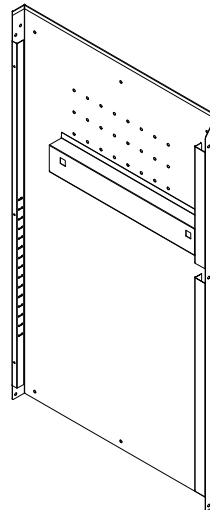
DON' T WORRY, this is the protection of express packages.



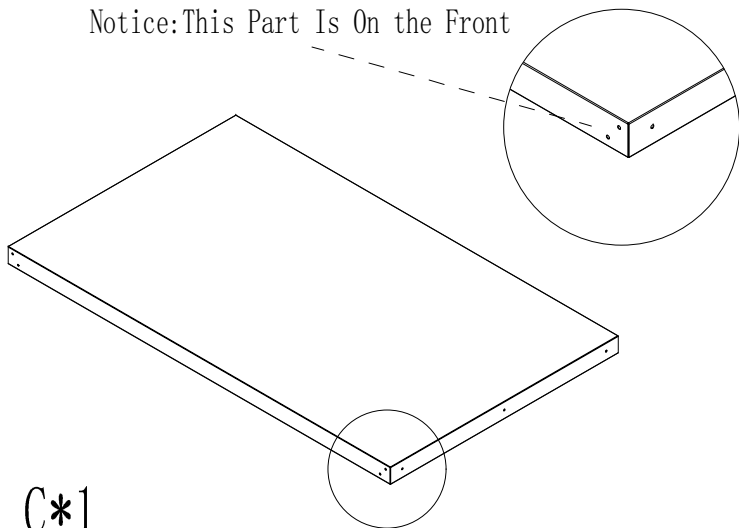
A\*1



B\*1

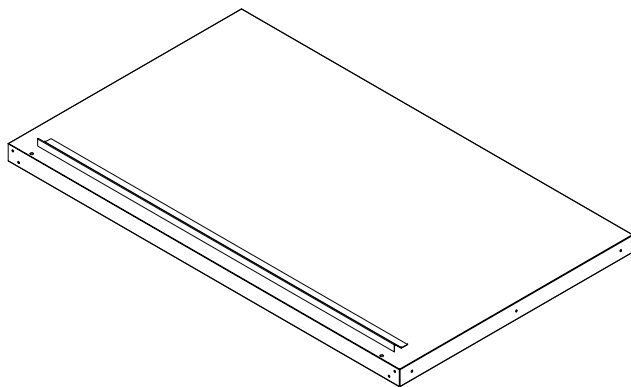


Notice: This Part Is On the Front

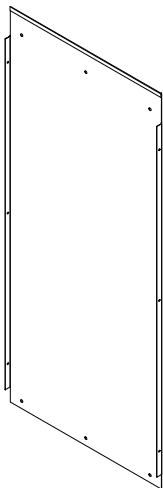


C\*1

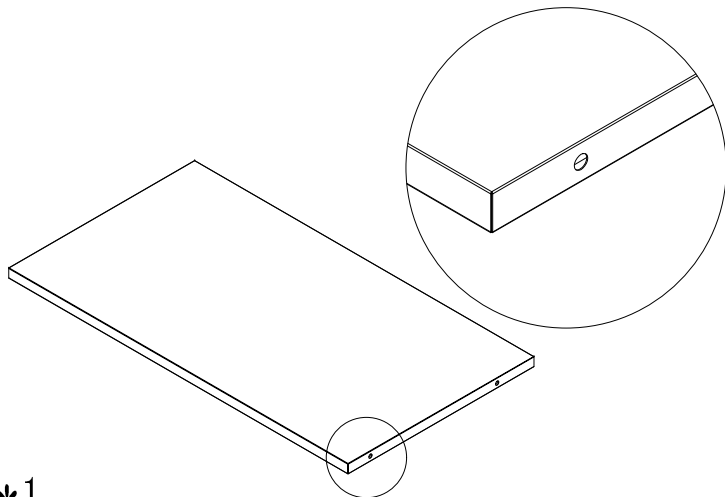
D\*1



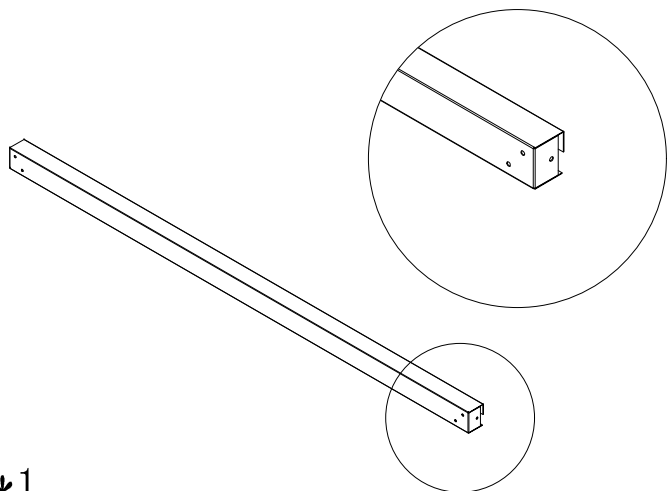
E\*2



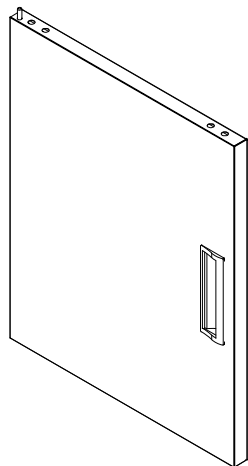
F\*1

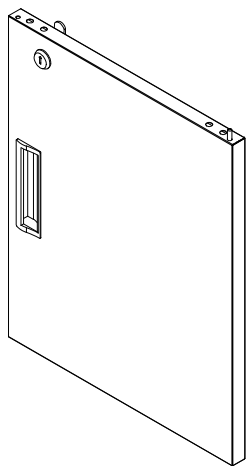


G\*1

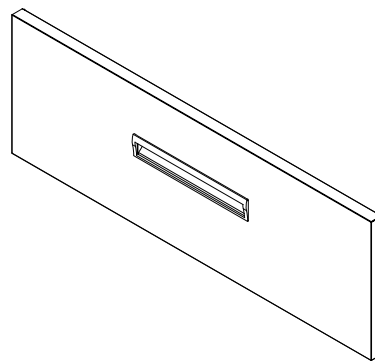


H\*1

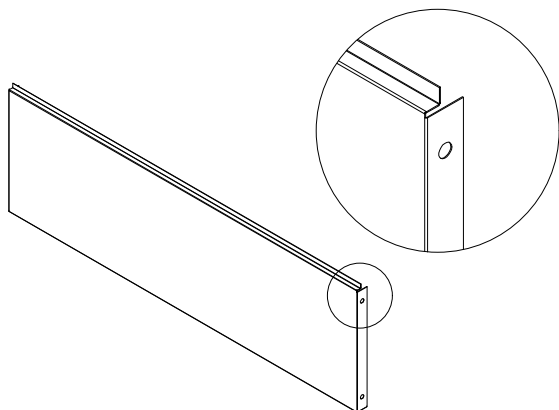




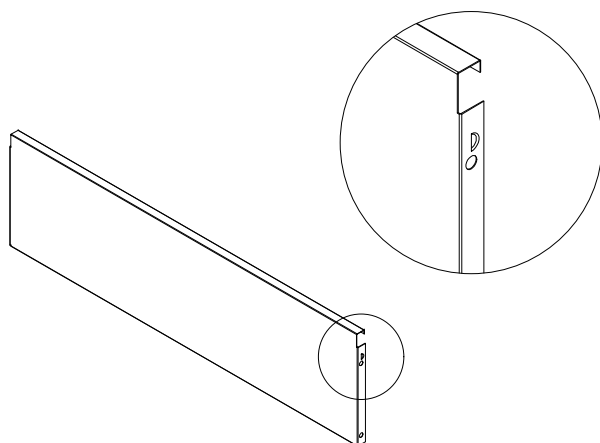
I\*1



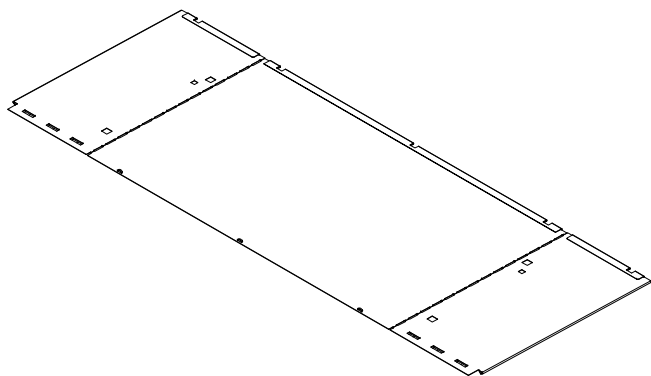
J\*1



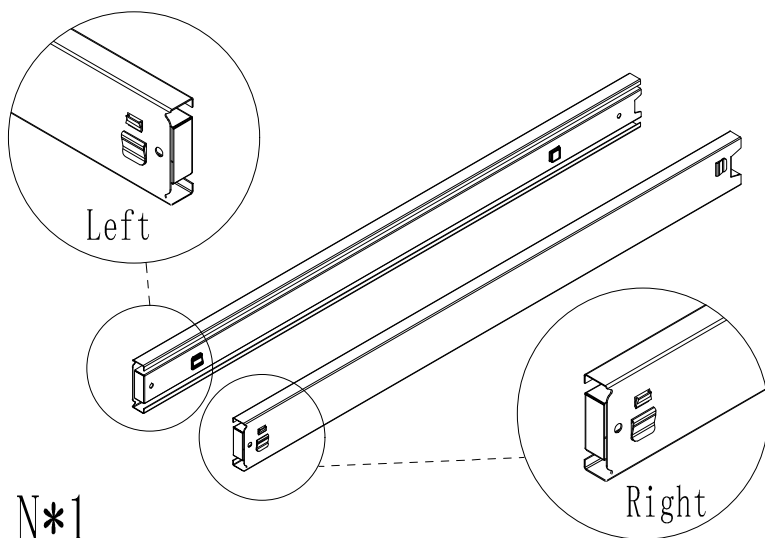
K\*1



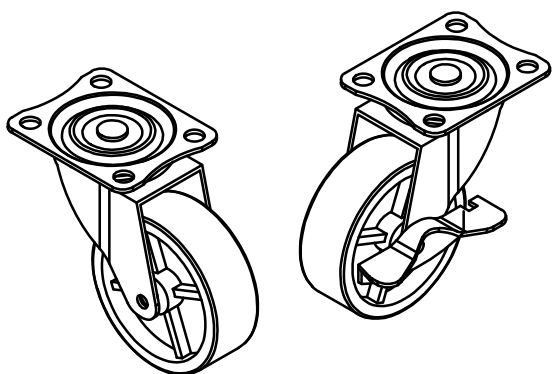
L\*1



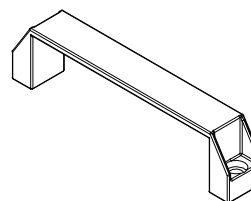
M\*1



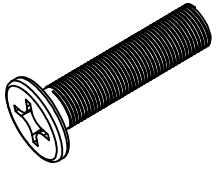
N\*1



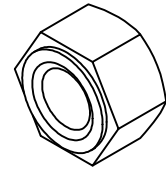
O\*4



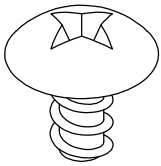
P\*1



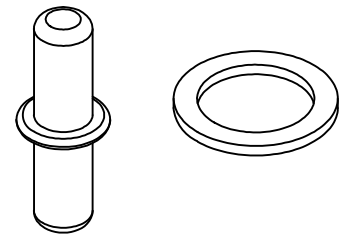
Q\*18



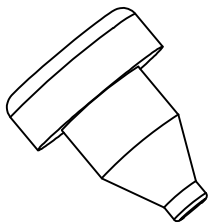
R\*2



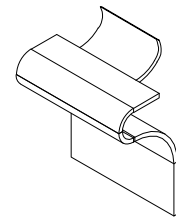
S\*55



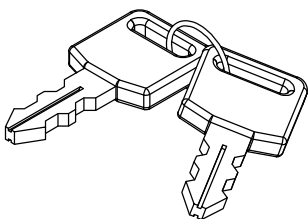
T\*2



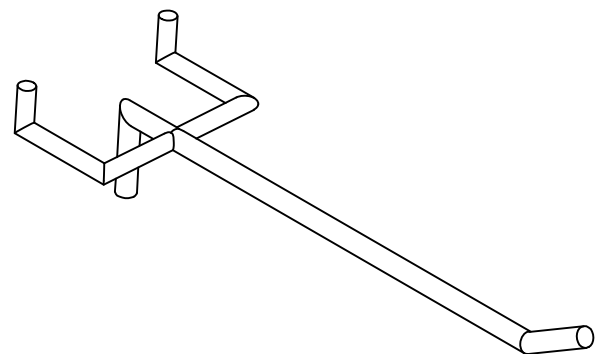
U\*4



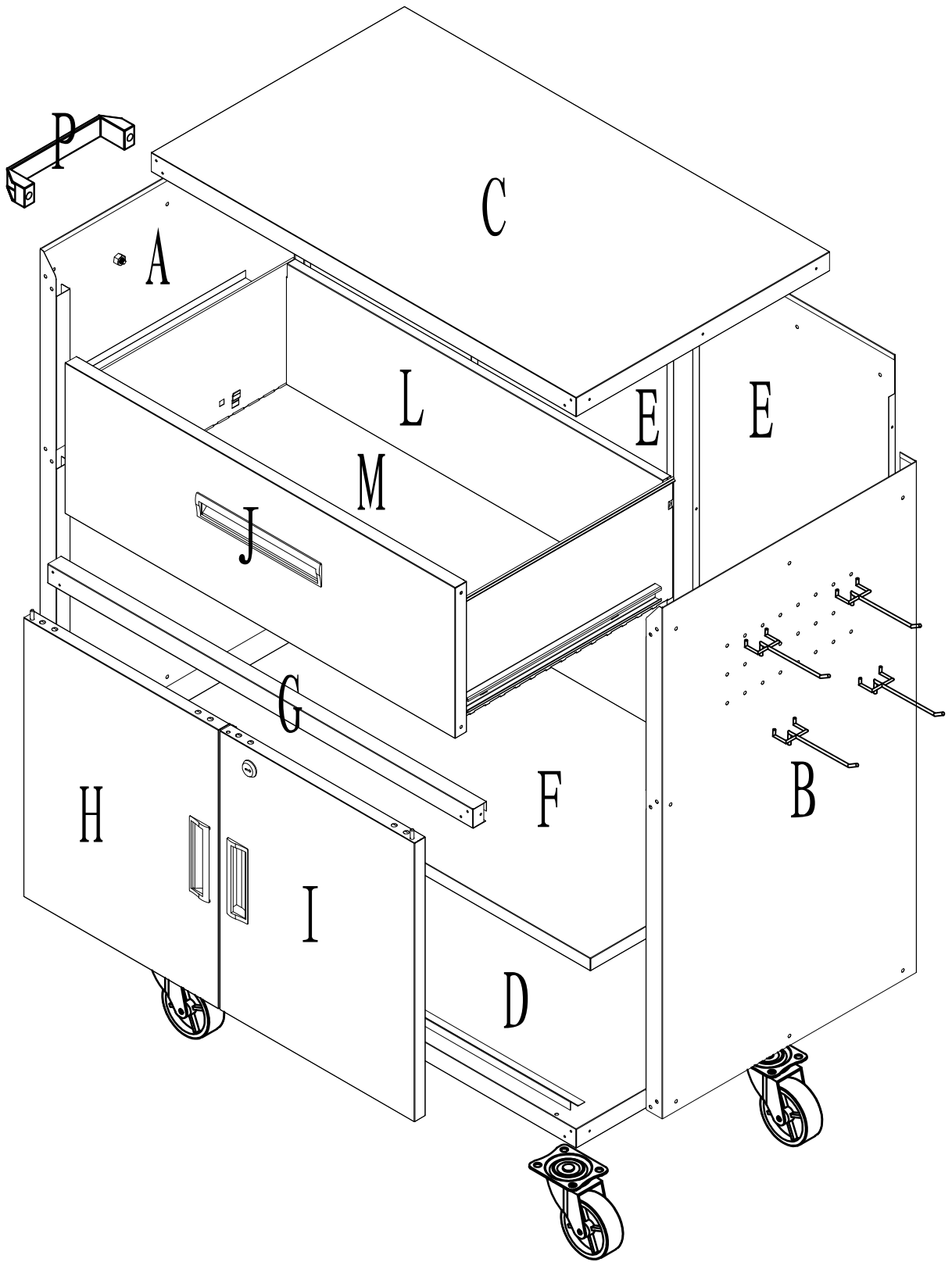
V\*4



W\*2

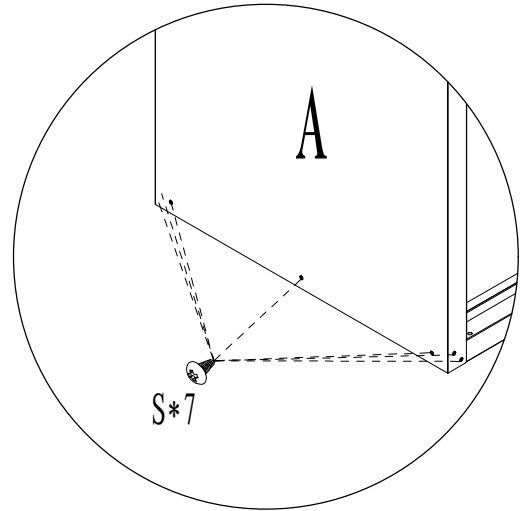
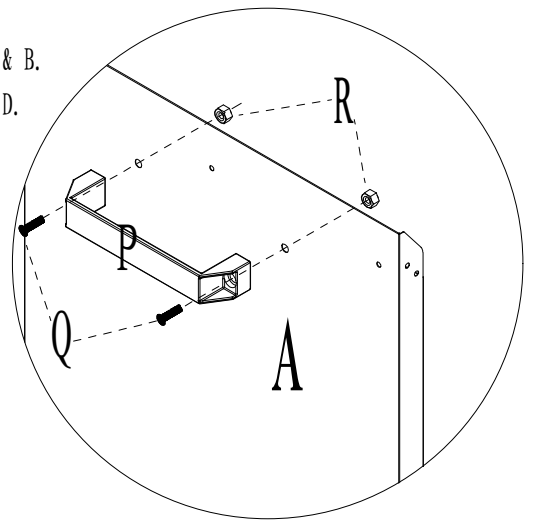
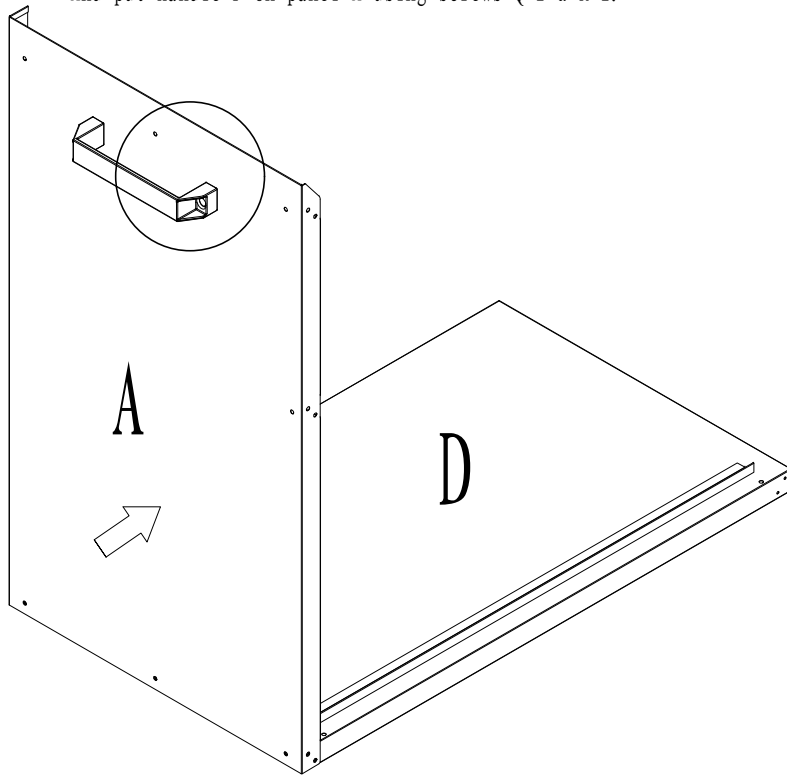


X\*4

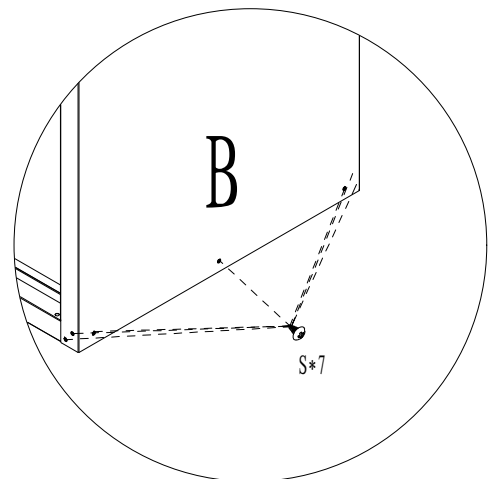
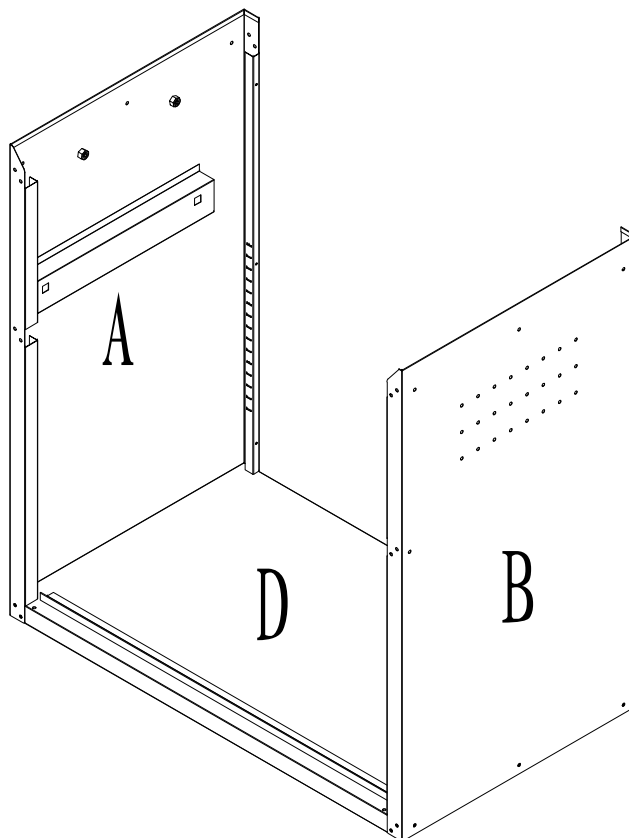


1

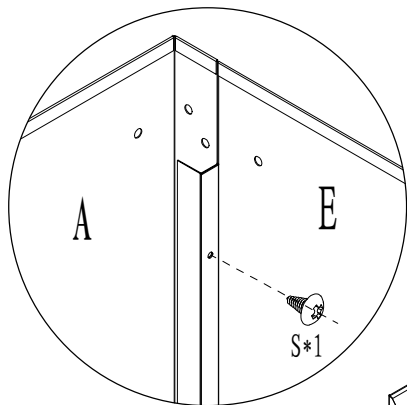
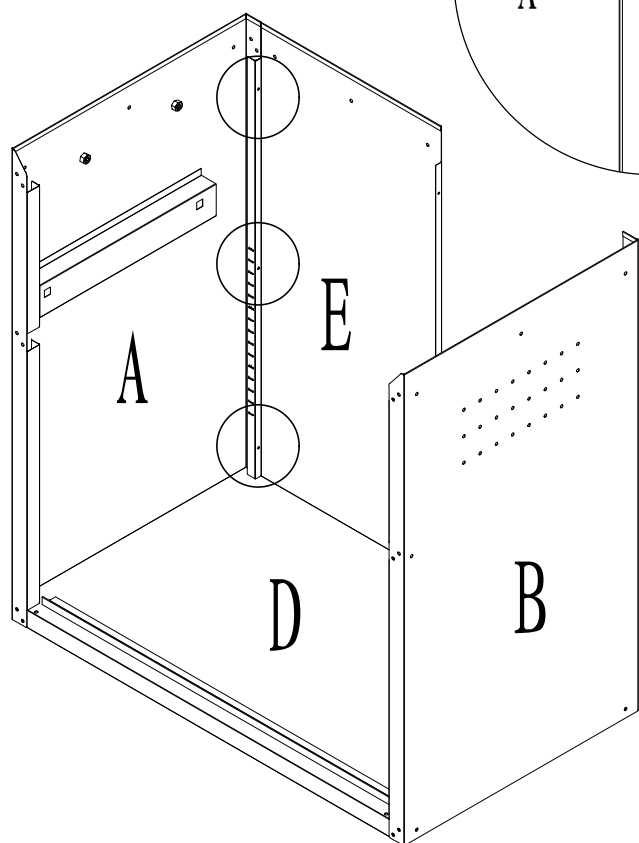
Let's start with side panel of the cabinet. Take the side panel A & B.  
Place as shown in the picture. Insert the side panel through parts D.  
Fasten in place using S \*7 screws on each side of bottom.  
And put handle P on panel A using screws Q\*2 & R\*2.



2



3



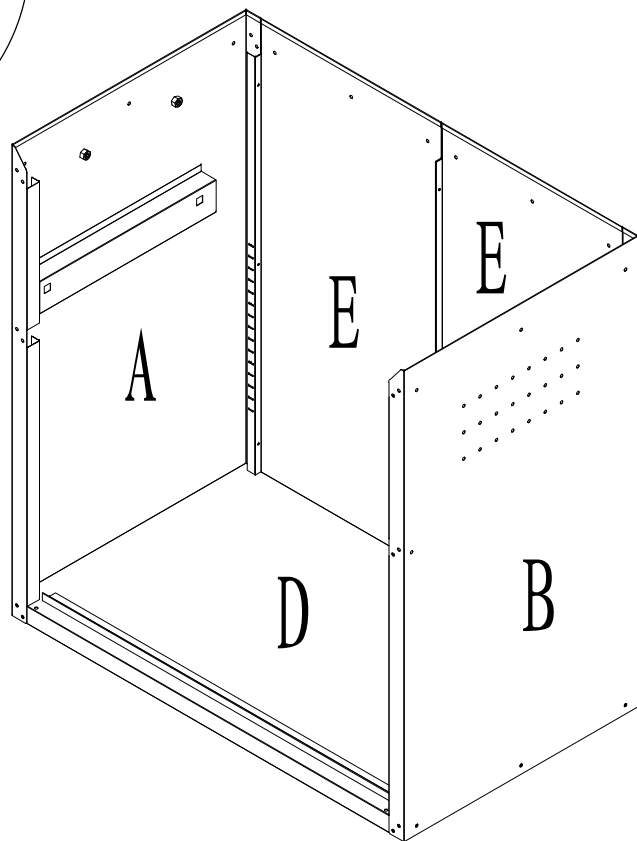
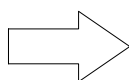
Install Back Panel E1 &E2.

Fasten in place using 21\*S screws.

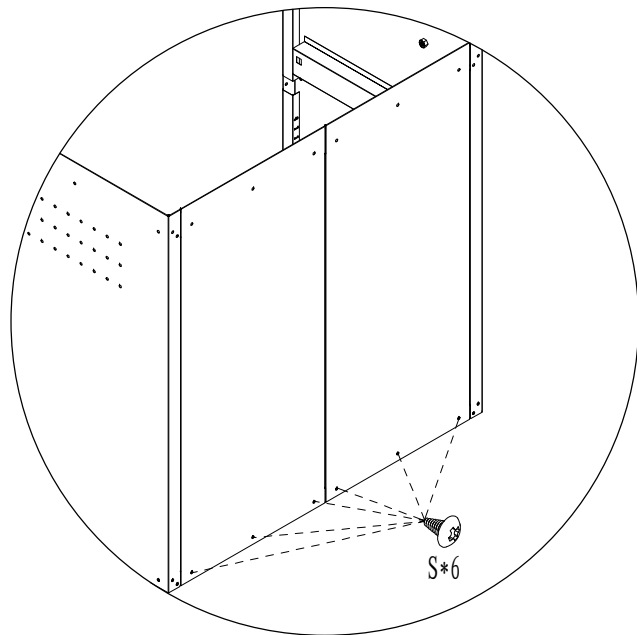
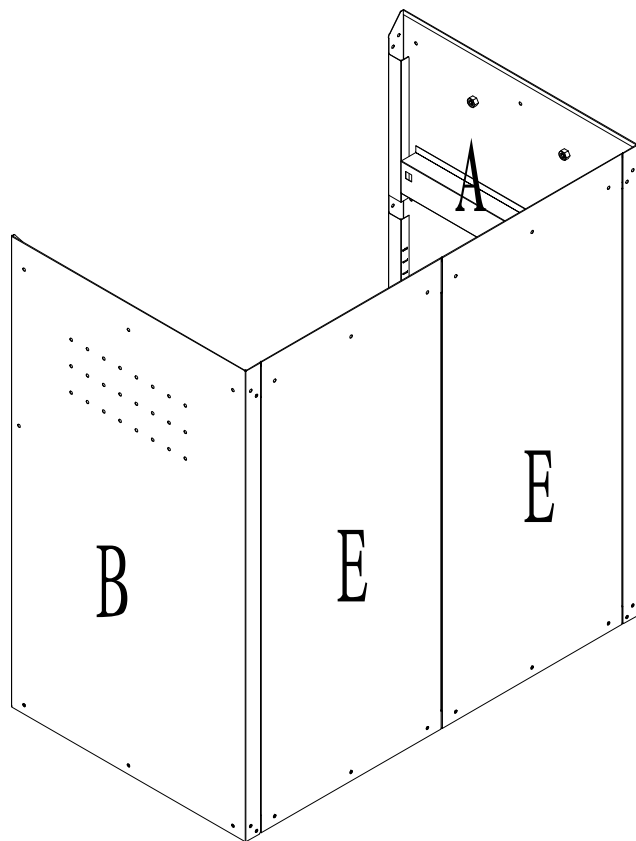
3\*S screws on the left side ,

3\*S screws on the right side, 3\*S in the middle.

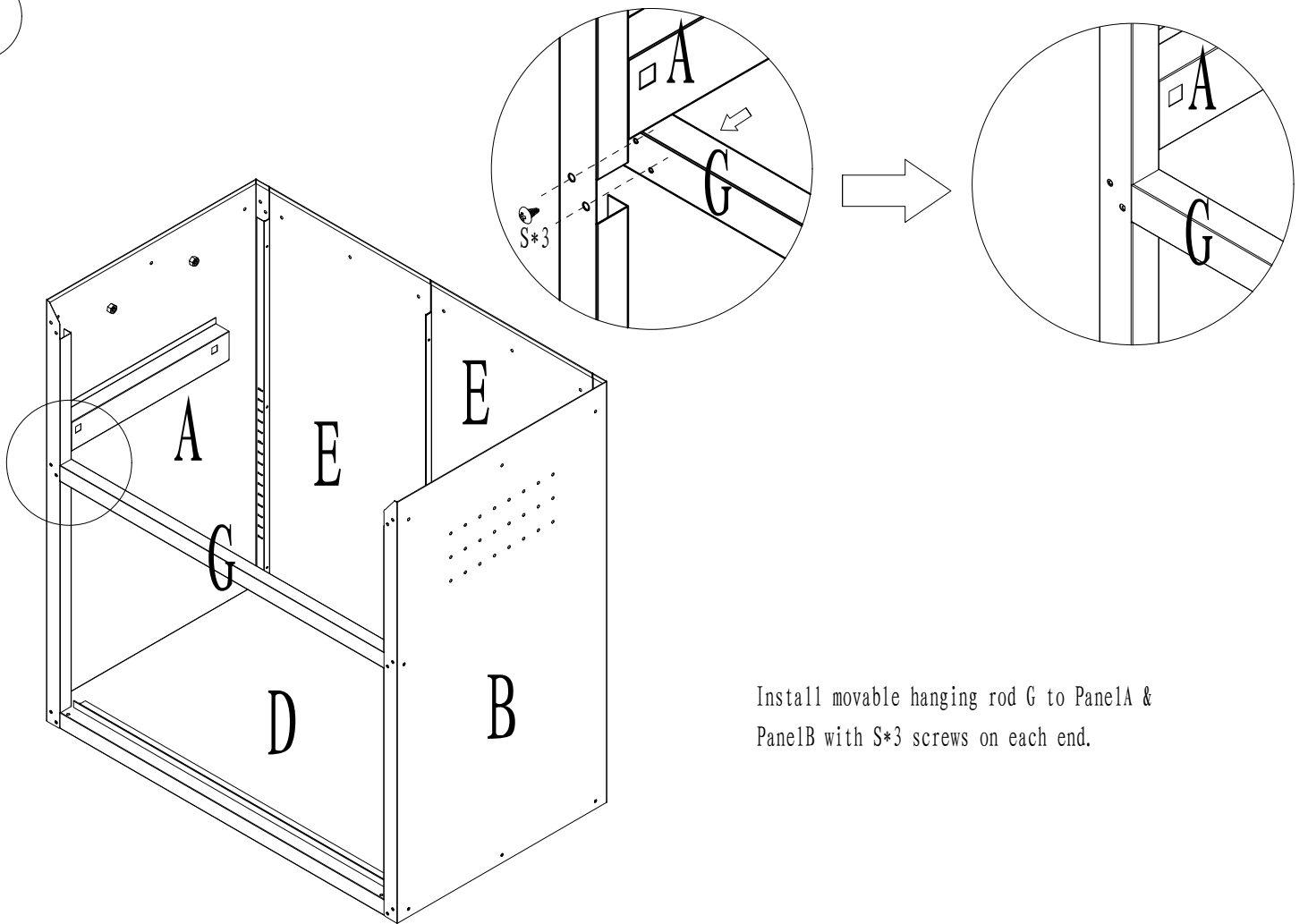
6\*S screws on the top, 6\*S screws at the bottom.



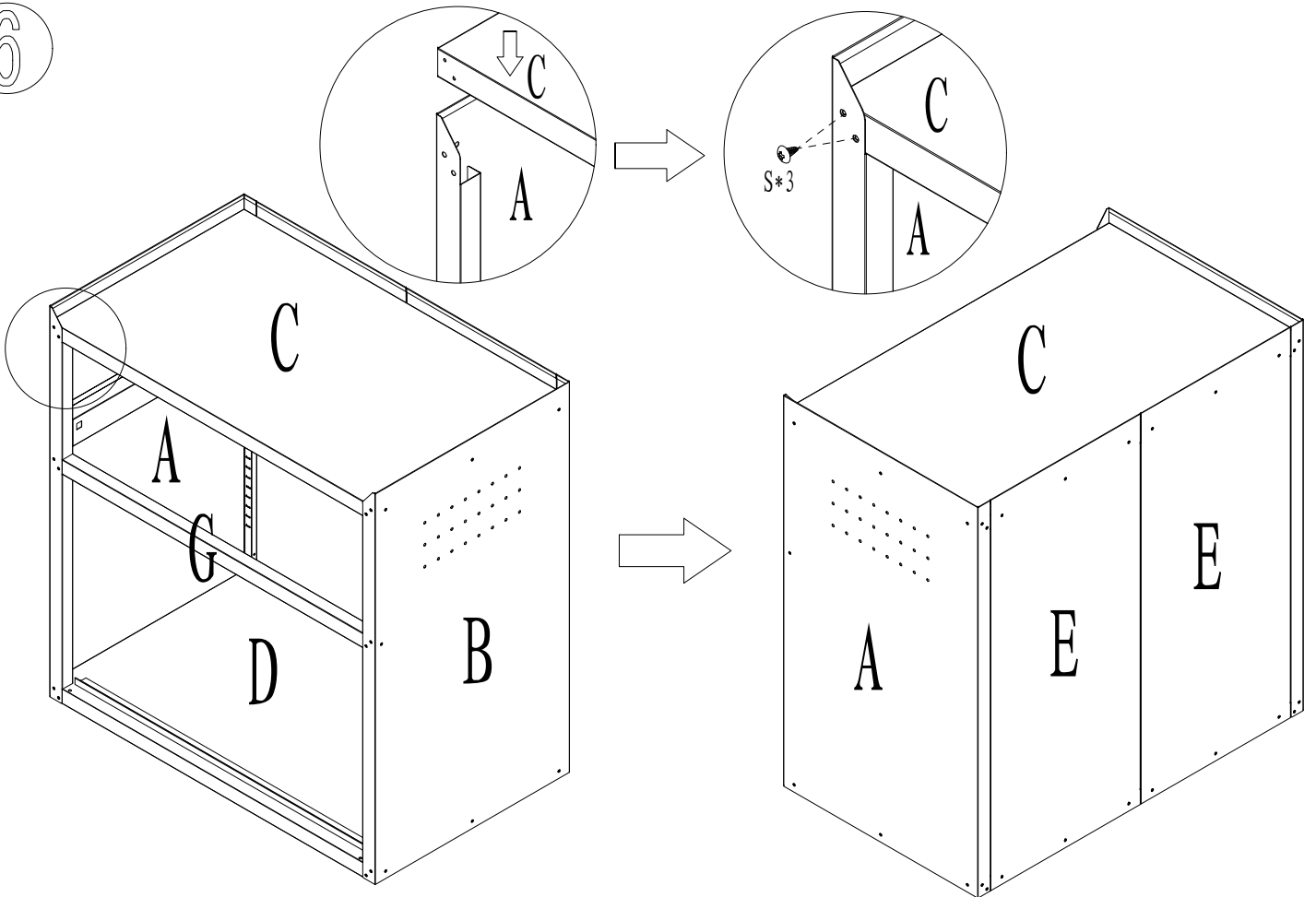
4



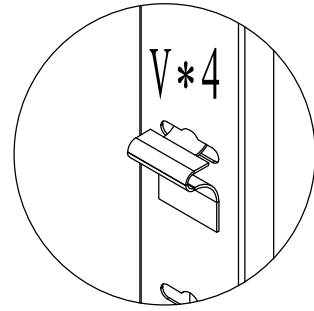
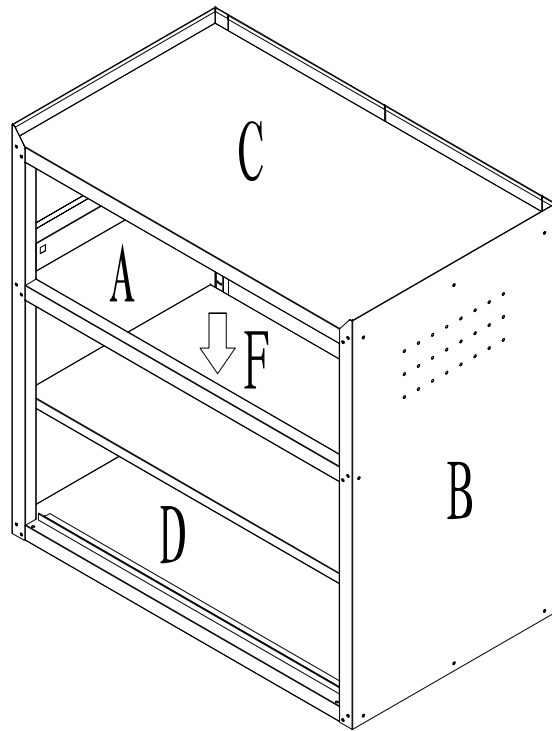
5



6

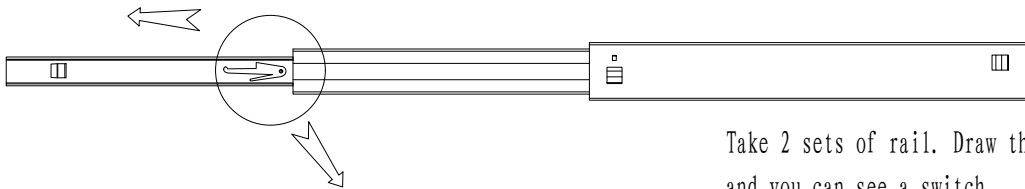


7

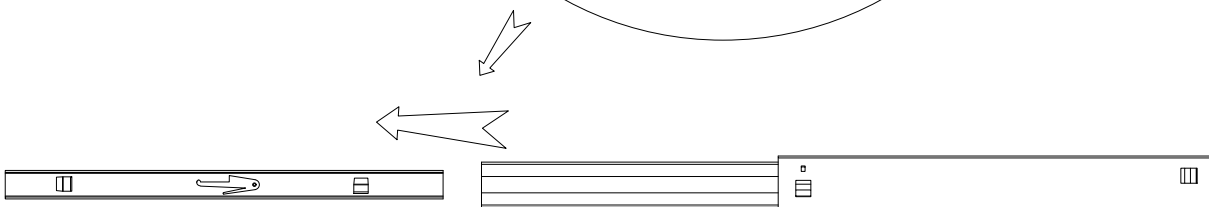
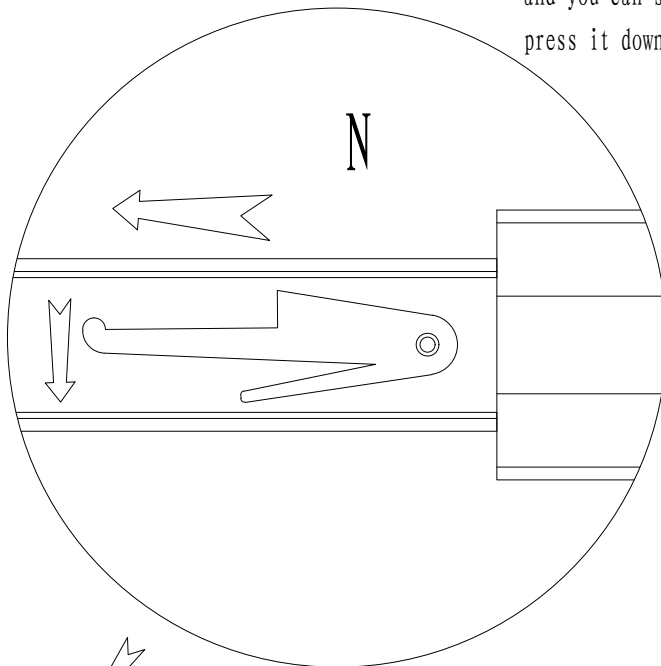


Choose where you want to mount the shelf F.  
Insert V\*4 holders in the frame's holes, 1 for each corner.

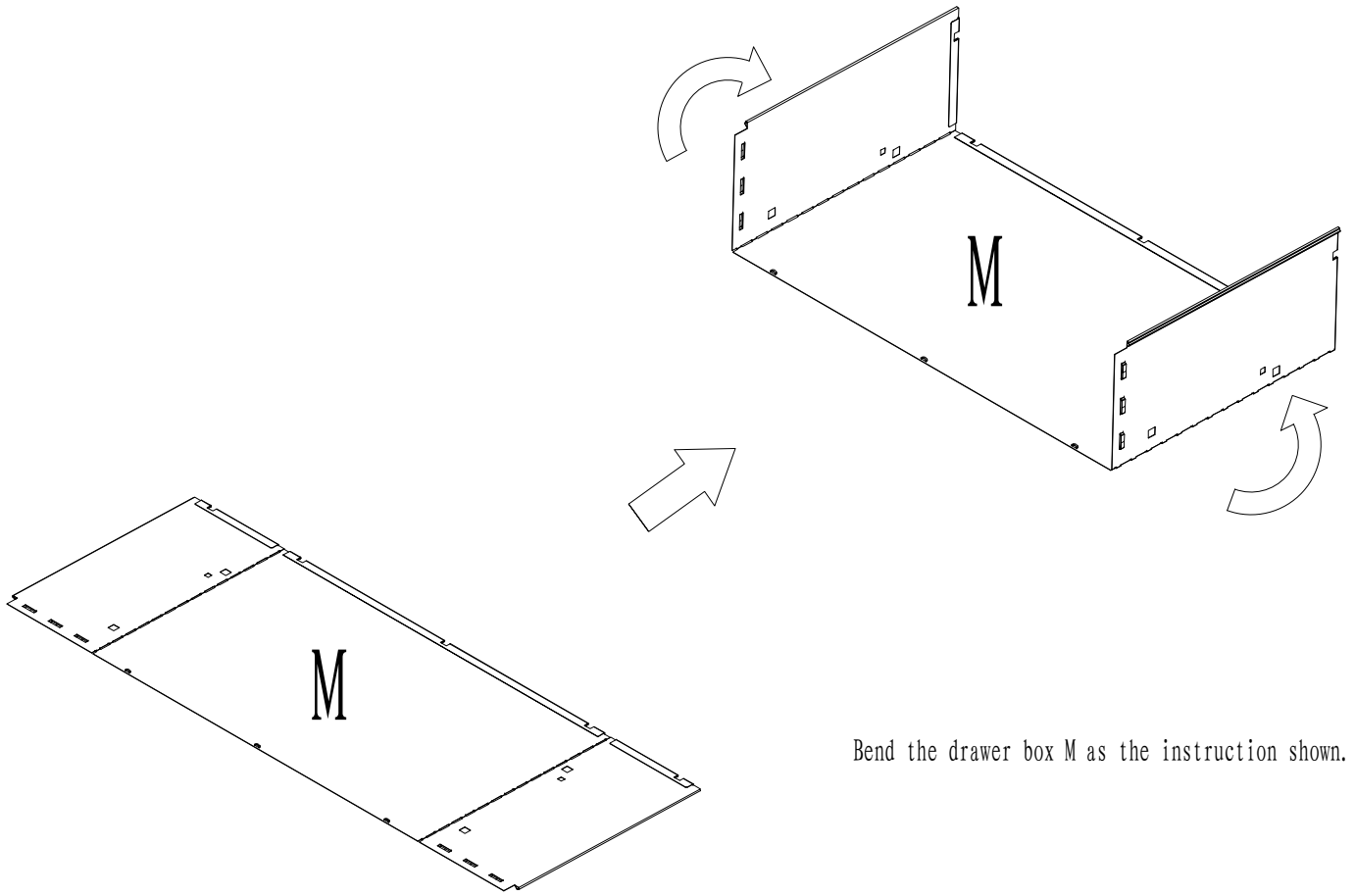
8



Take 2 sets of rail. Draw the slide rail N out,  
and you can see a switch,  
press it down to draw the first part of rail out.

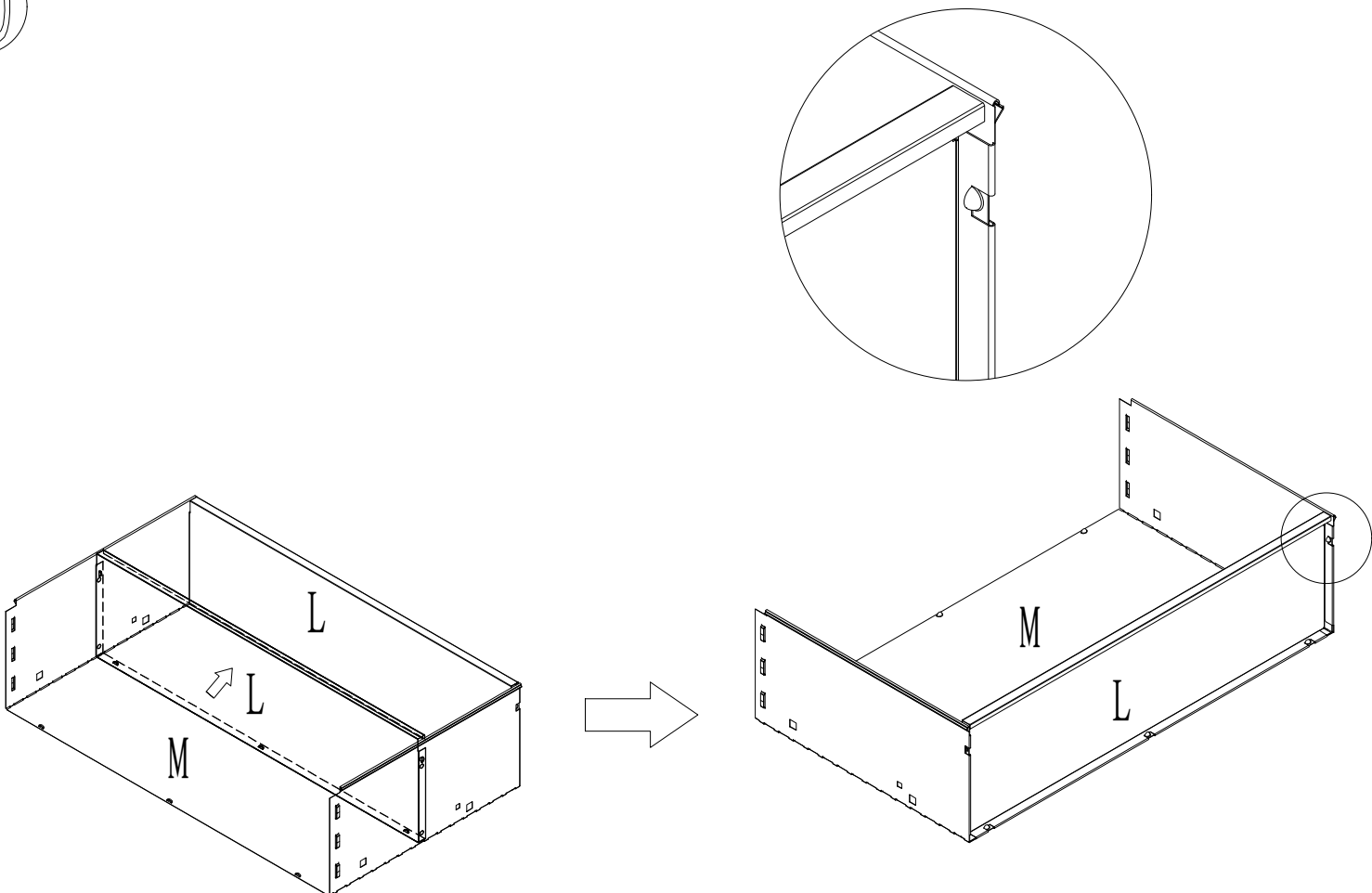


9



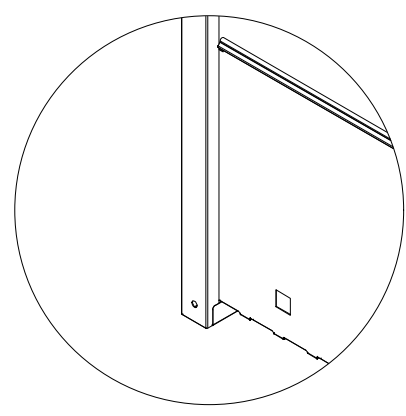
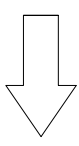
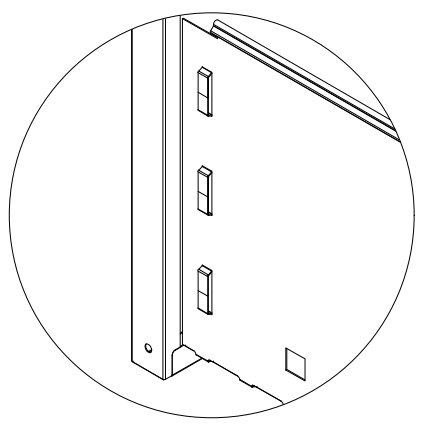
Bend the drawer box M as the instruction shown.

10

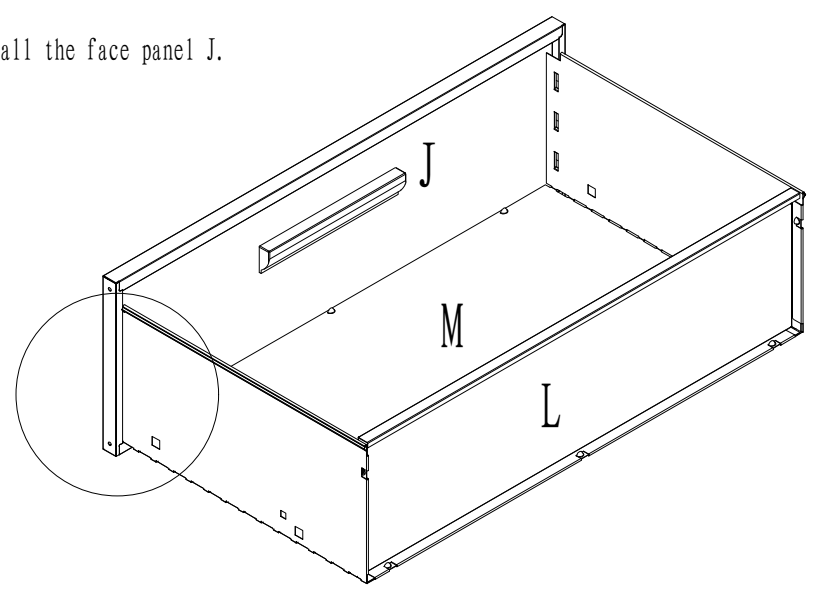


Take parts L, insert the middle of M and push the back drawer seal to the end.

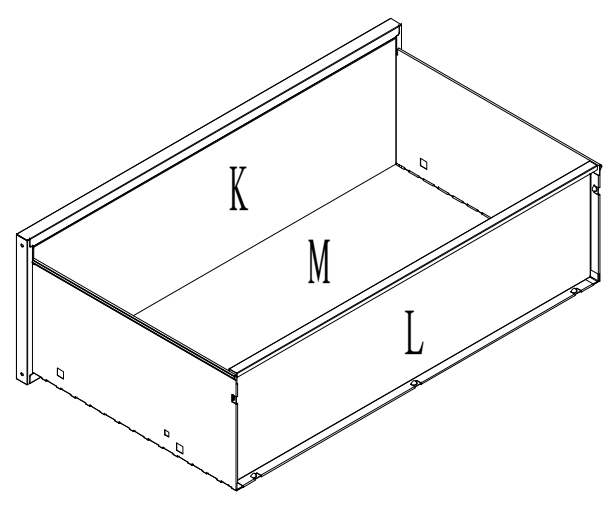
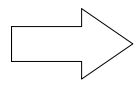
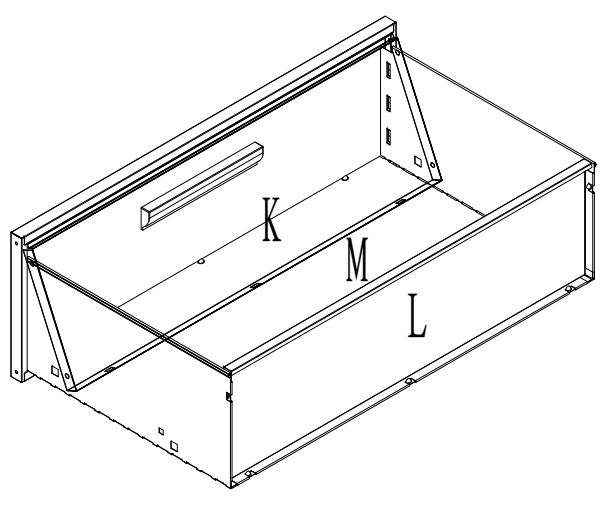
11



Install the face panel J.

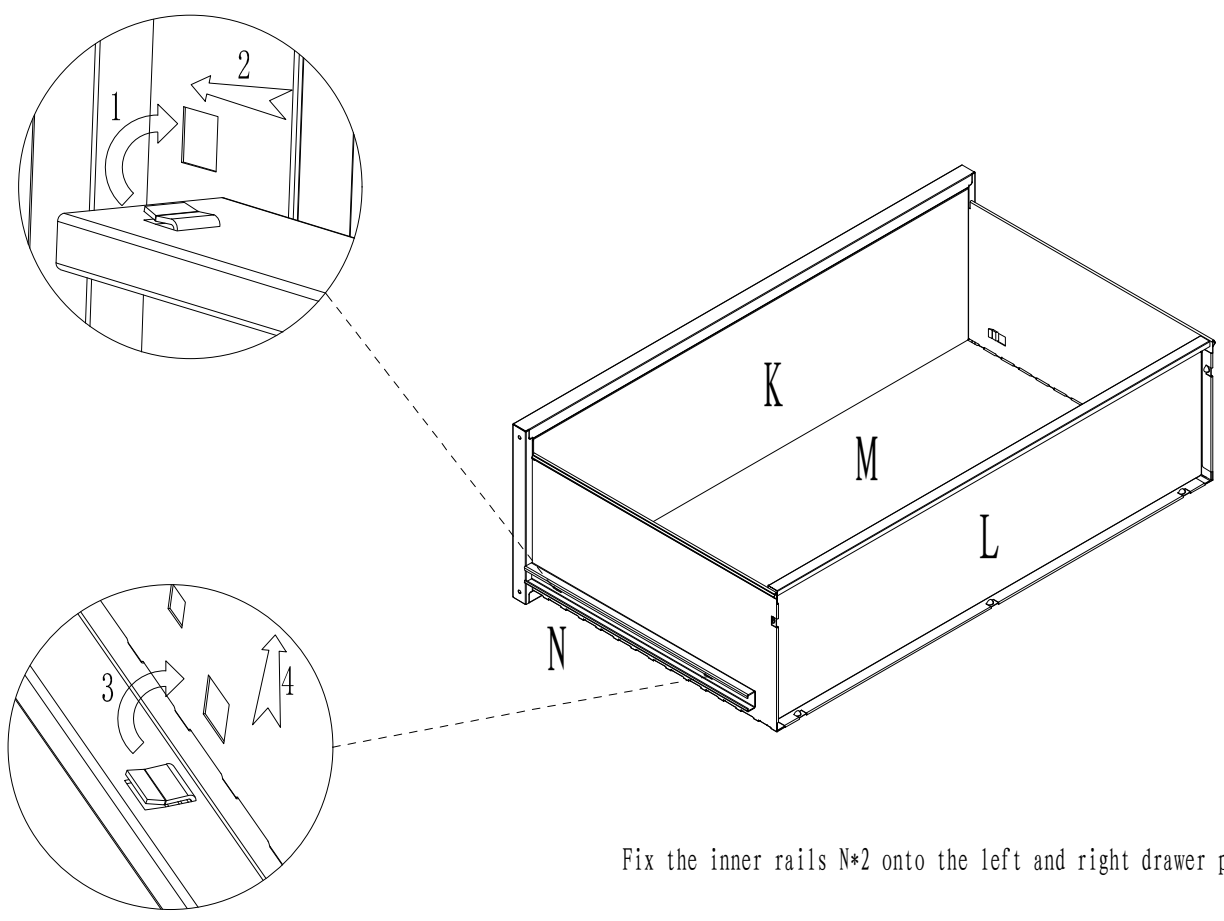


12



Install the part K, push it to panel J together.

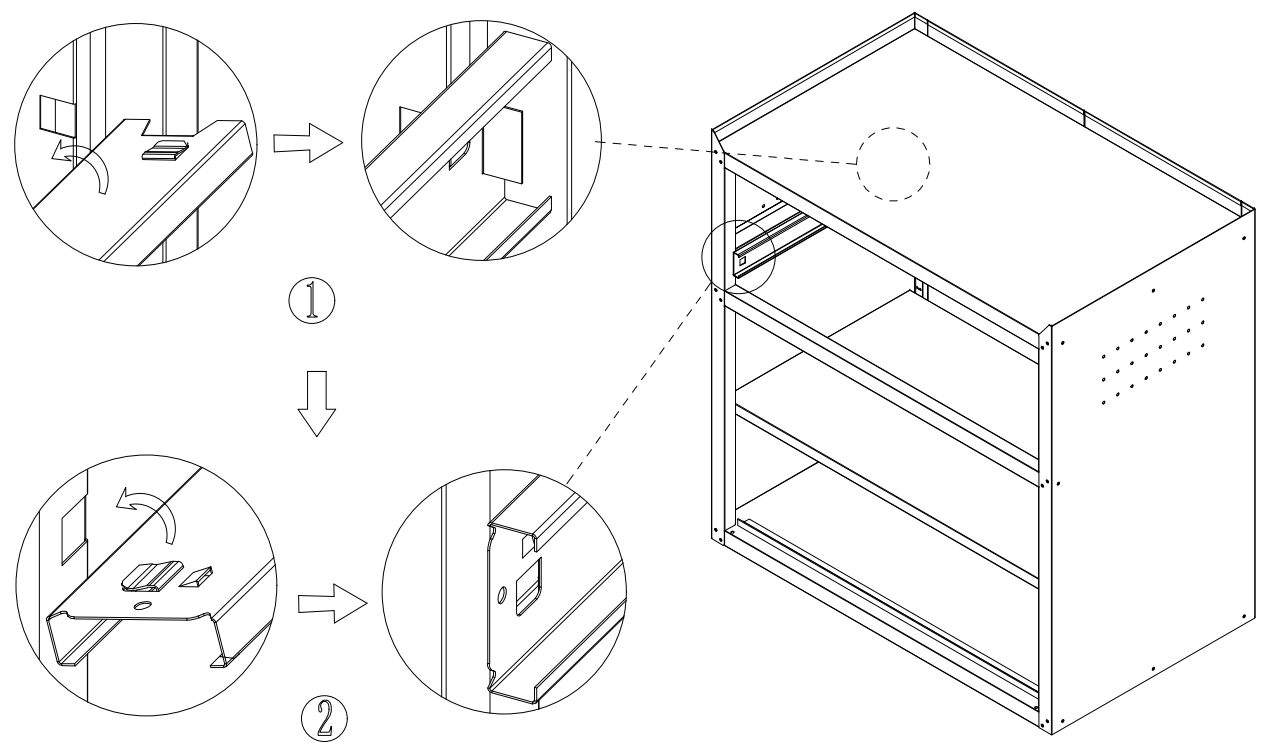
13



Fix the inner rails N\*2 onto the left and right drawer panel.

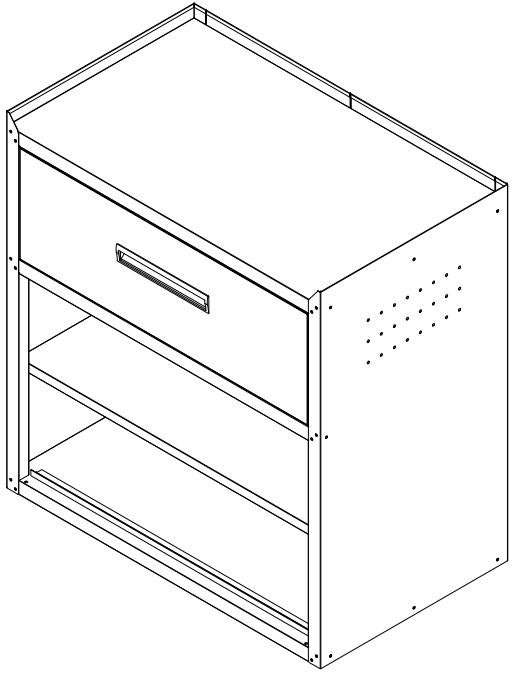
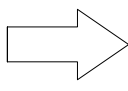
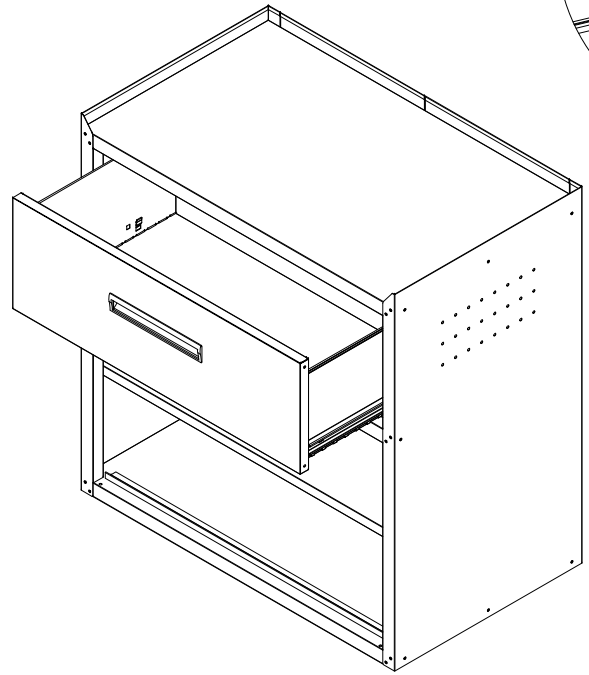
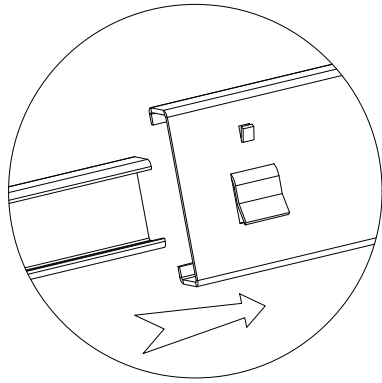
14

Notice: Distinguish the left and right slide rail.



Fix the outer rails N\*2 onto the left and right Side Panel A & B

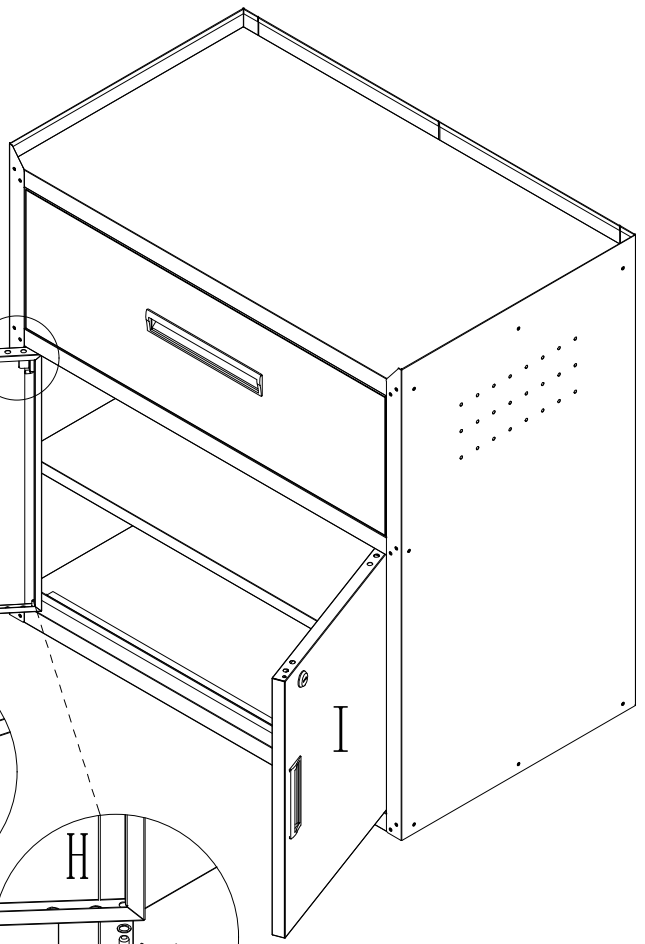
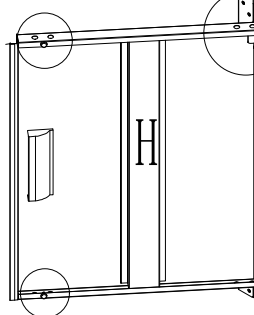
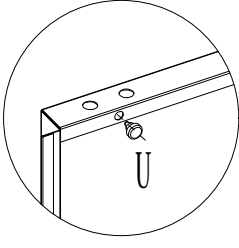
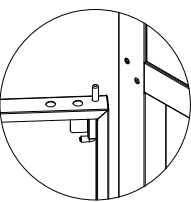
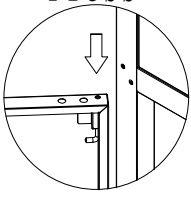
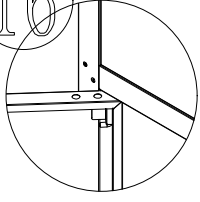
15



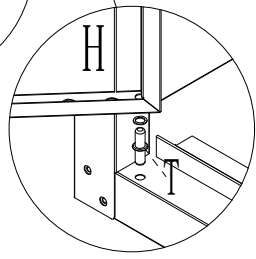
Install the drawer.

16

Press



Take 2 \*T bolt screws & insert a plastic ring on it.  
 Insert the bolt in the bottom frame' s hole  
 (like shown in the picture below).  
 Take door H1 & I1.  
 Place the door with the bottom hole in the bolt.  
 Press the arch at top of the door to fix the door in the upper frame.  
 Make sure it is securely fastened up and down .  
 Move the door back & forth to test it.  
 Install 4\*U mute pad. 2\*U on top of the door. 2\*U at bottom of the door.



17

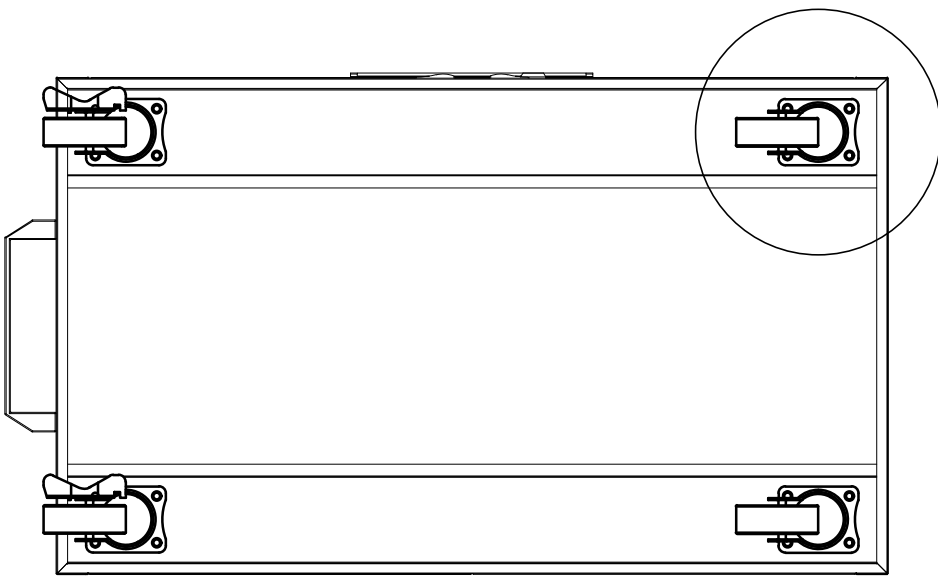
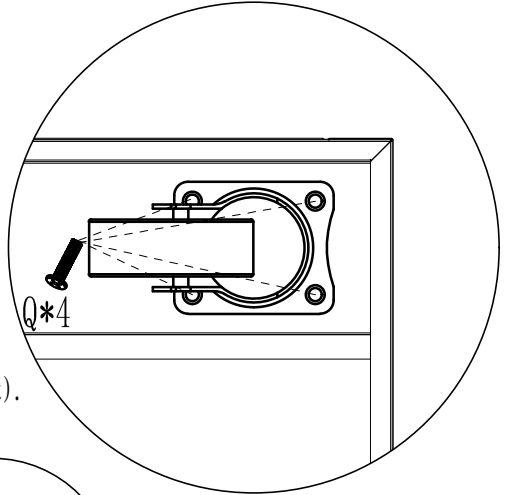
# The 2 casters with brake assembled on the handle side

Install the 4 wheels using Q\*16.

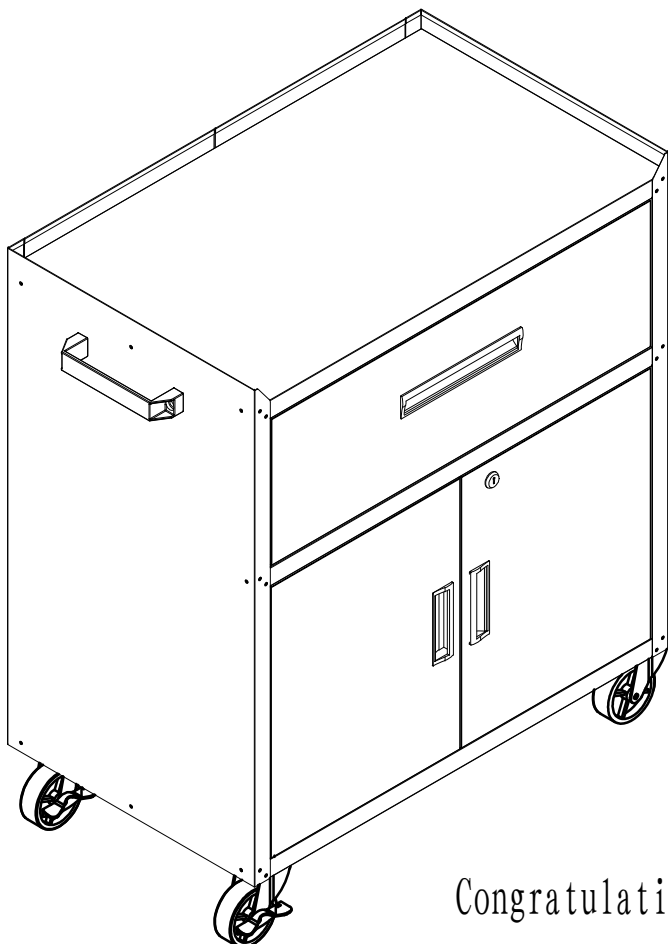
(Attention: Drop the cabinet on the floor during installation)

Take 1 wheel Q\*4 and align its holes with the ones on the metal plate D

The wheels with brakes should be placed on the same side of the cabinet (either left or right).



18



Congratulation!

Your metal cabinet is ready to use!