

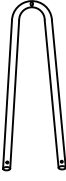
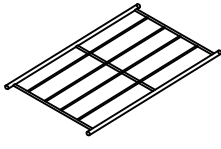
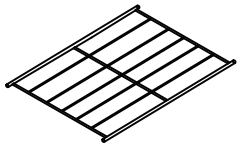
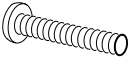
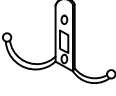




PLEASE READ INSTRUCTIONS COMPLETELY BEFORE ASSEMBLY

For assistance or missing parts in the USA, please email or write to Customer Service Department, Missing Parts

All international customers (outside USA) requesting missing parts, defects or damages must contact the retailer directly to make an exchange or return for credit. All other customer service product questions may be directed to us.

PARTS LIST

A x 1	B x 4	C x 2	D x 1	E x 1
				
F x 10	G x 2	H x 10	I x 1	
				

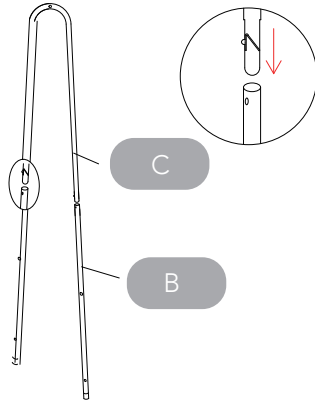
We will accept missing parts request with proof of purchase only, within 30 days of purchase. All return merchandise must be returned directly to the store and not the manufacturer with the proof of purchase.

STEP 1

B x 4

C x 2

Insert part (C) onto part (B) as shown below.
Repeat this step on the other side frame.



STEP 2

H x 8

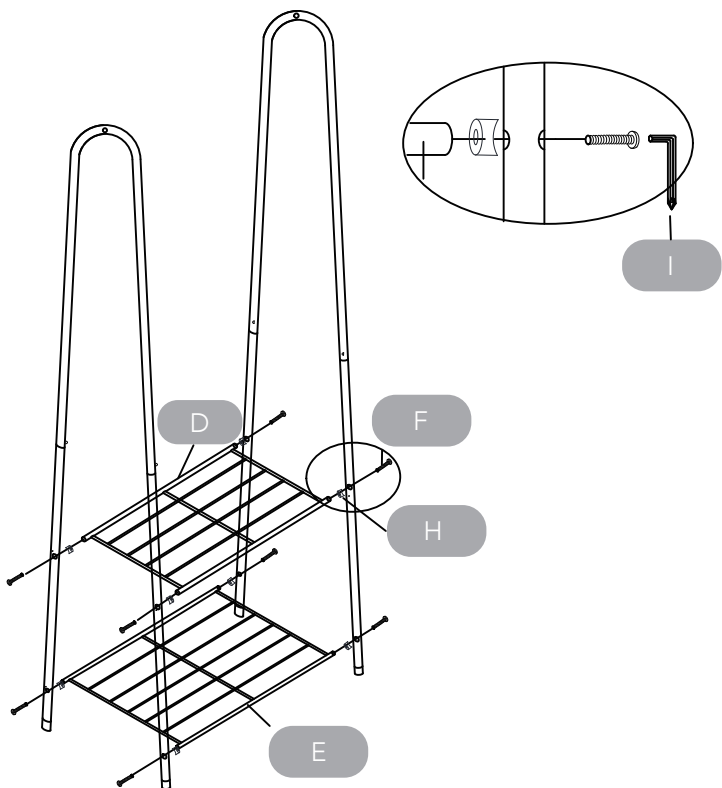
D x 1

E x 1

F x 8

I x 1

Attach parts (D) and (E) to the side frames completed from Step 1.



STEP 3

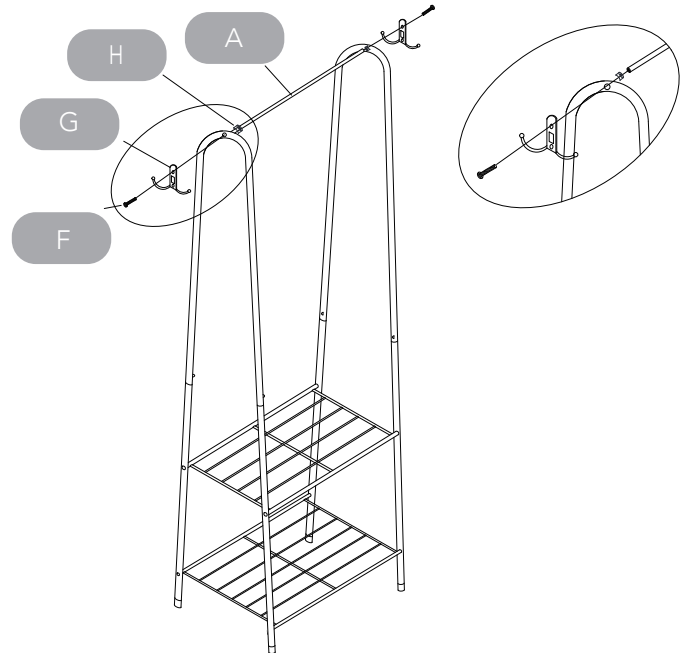
A x 1

F x 2

G x 2

H x 2

Use parts F & H to secure parts G & A.



STEP 4

Your assembly is now complete.

