












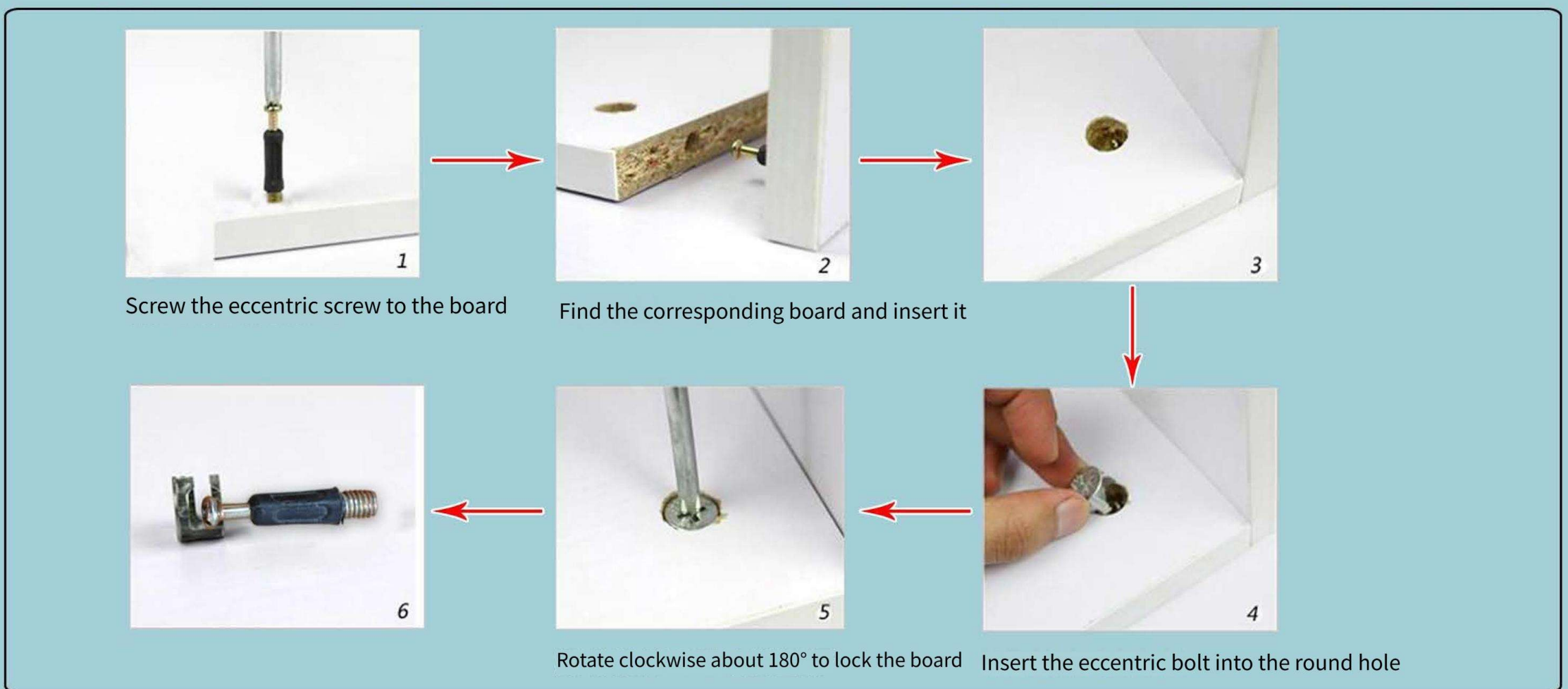


# Dressing table installation diagram

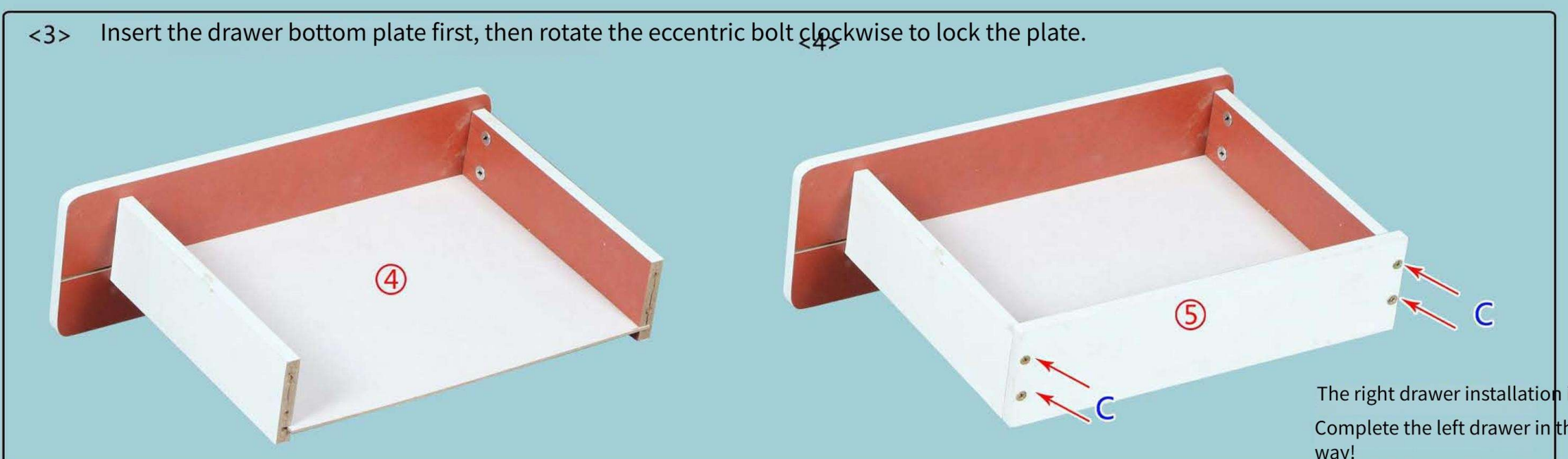
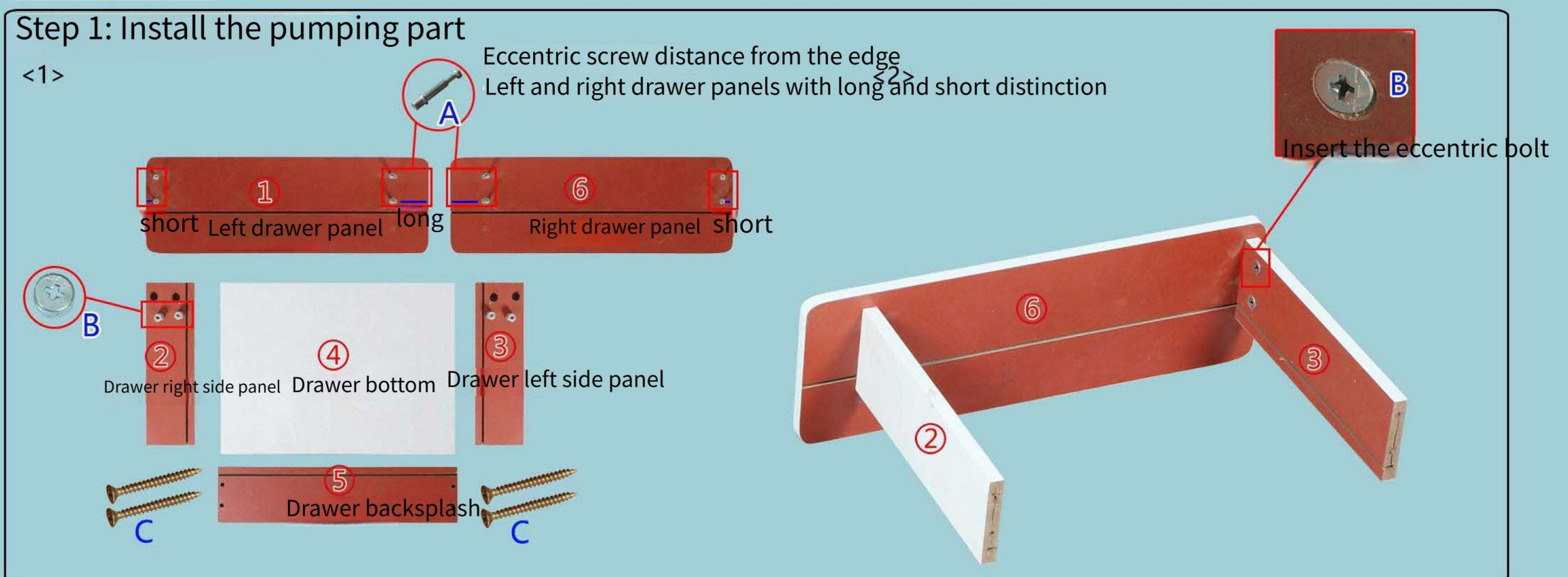
							
Eccentric screw	Eccentric bolt	5CM self-tapping screws	3CM flat head screw	3.5CM flat head screw	4CM flat head screw	1CM flat head screw	2CM flat head screw
A*16	B*16	C*41	D*4	E*4	F*2	G*1	H*4

				
Round Bulkhead	Bulk head	Golden	Flange nut	Screw with a 5cm pointed tip
I*4	J*4	K*4	L*5	O*4



## installation steps:



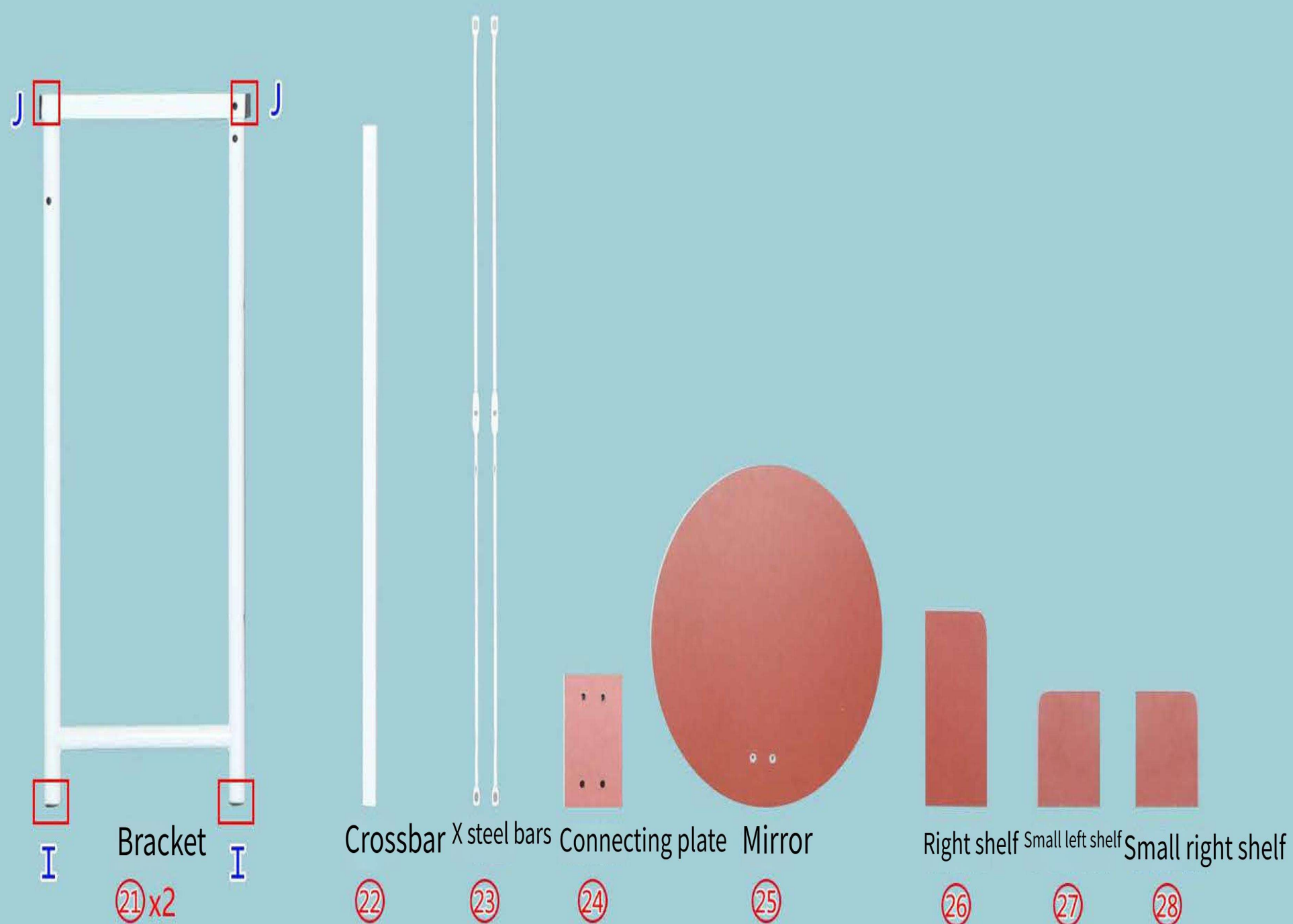
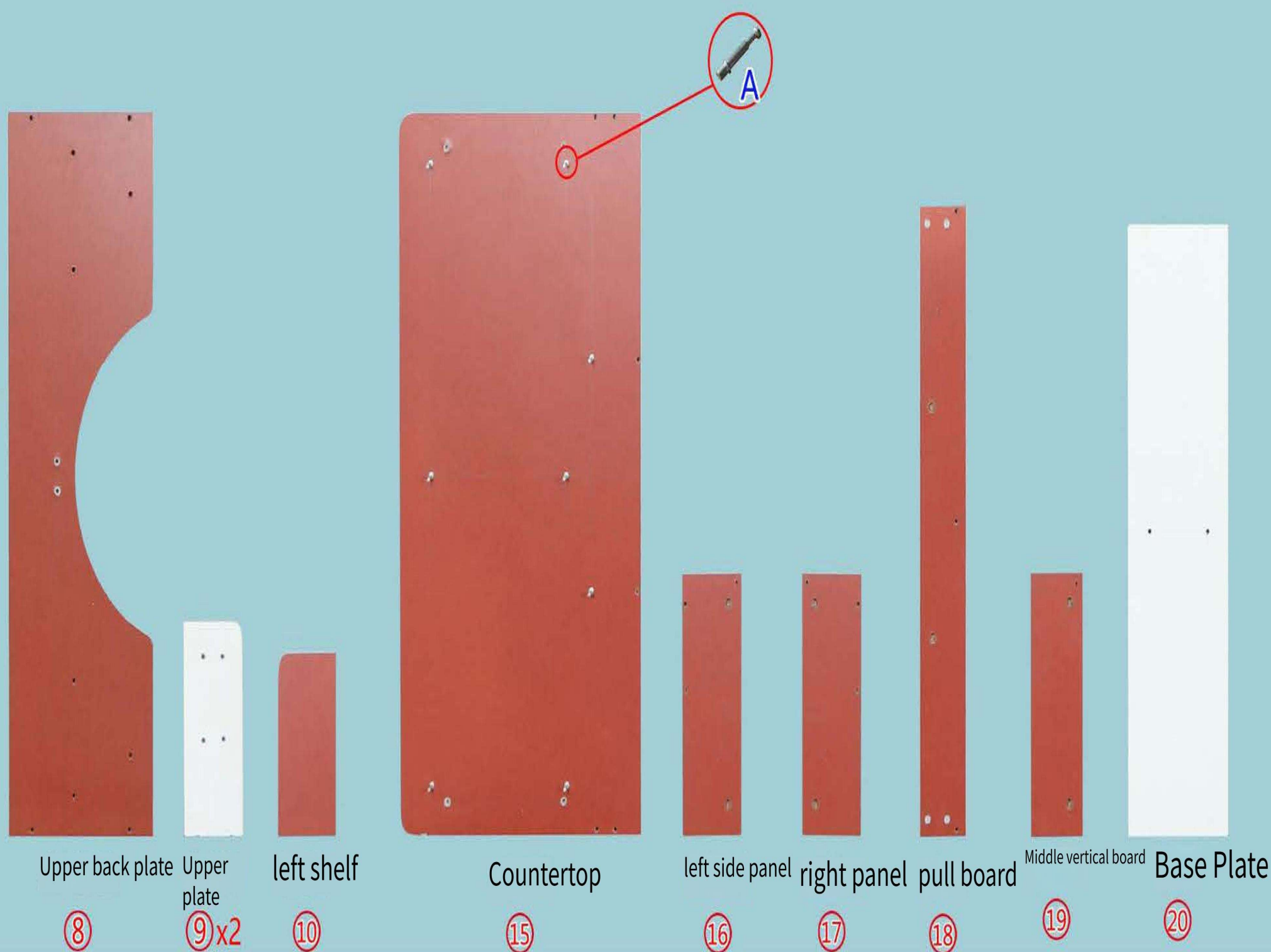
Board name and serial number:

The serial number in the installation diagram is not missing. Just install it according to the serial number

When installing, please pay attention to distinguish the length of the screws

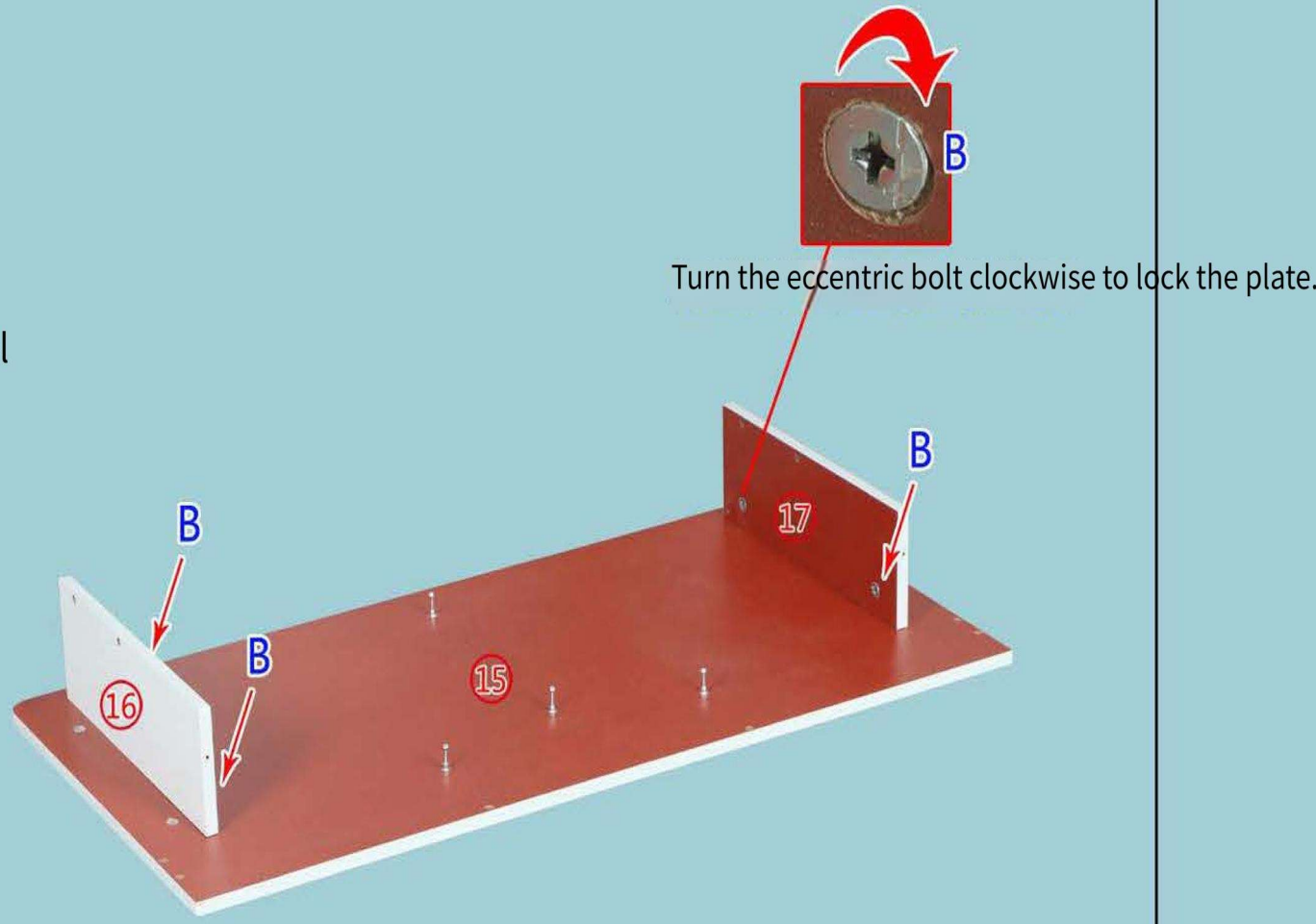
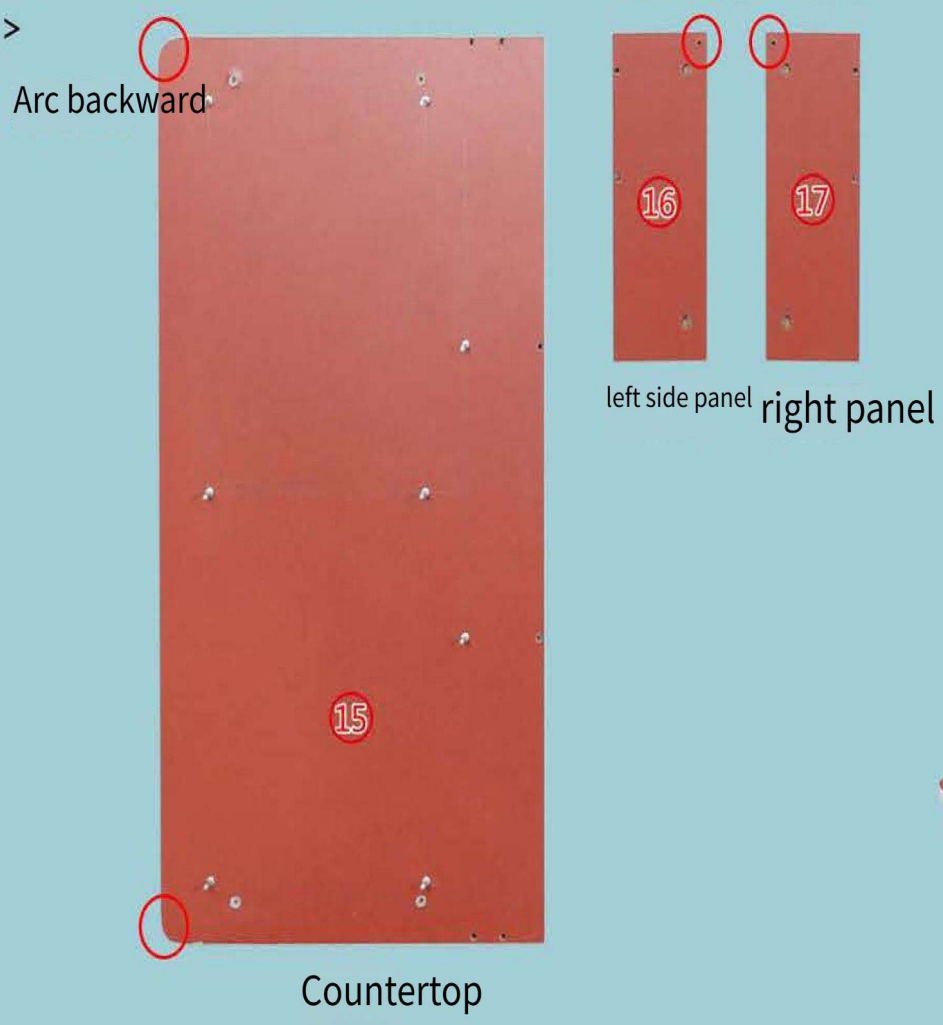
Strictly install the screws according to the drawings

To avoid piercing the board

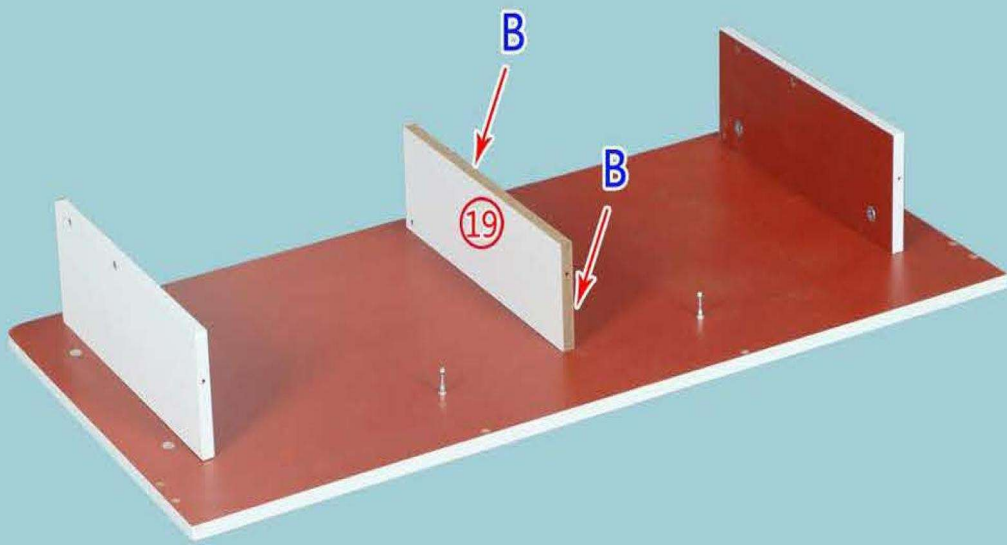
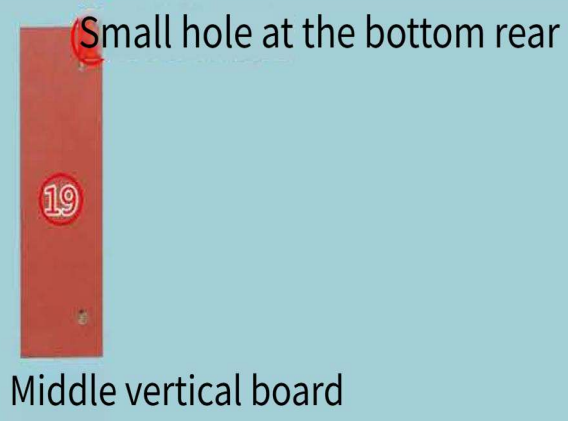


**Step 2: Install the lower half** The small holes are opposite to each other and located at the back

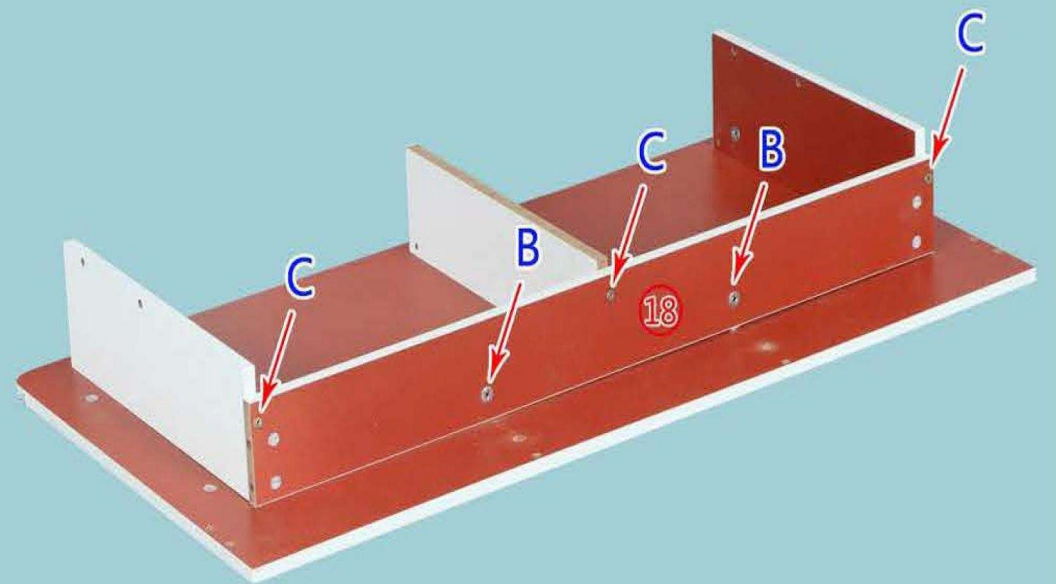
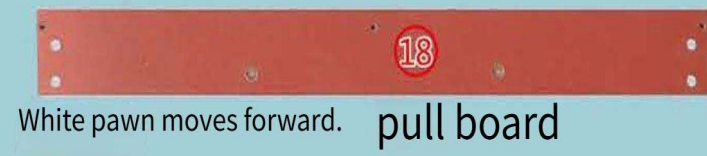
<1>



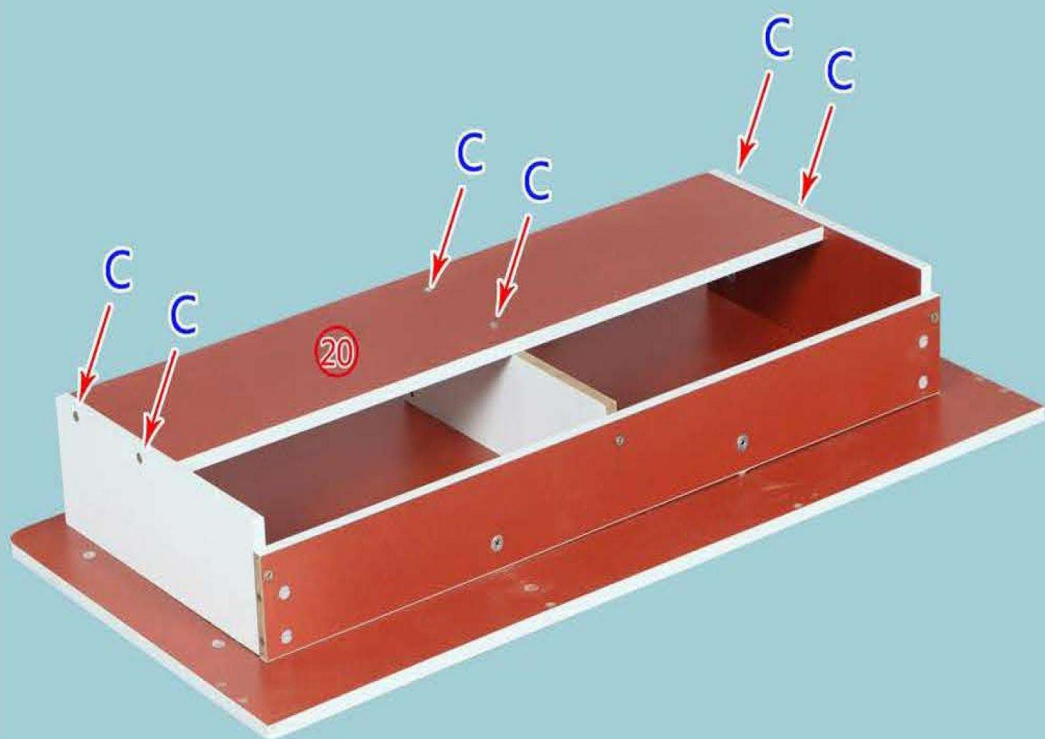
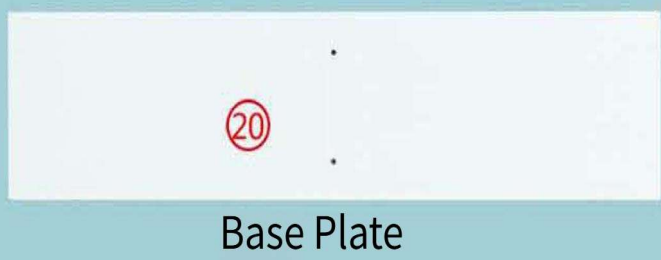
<2>



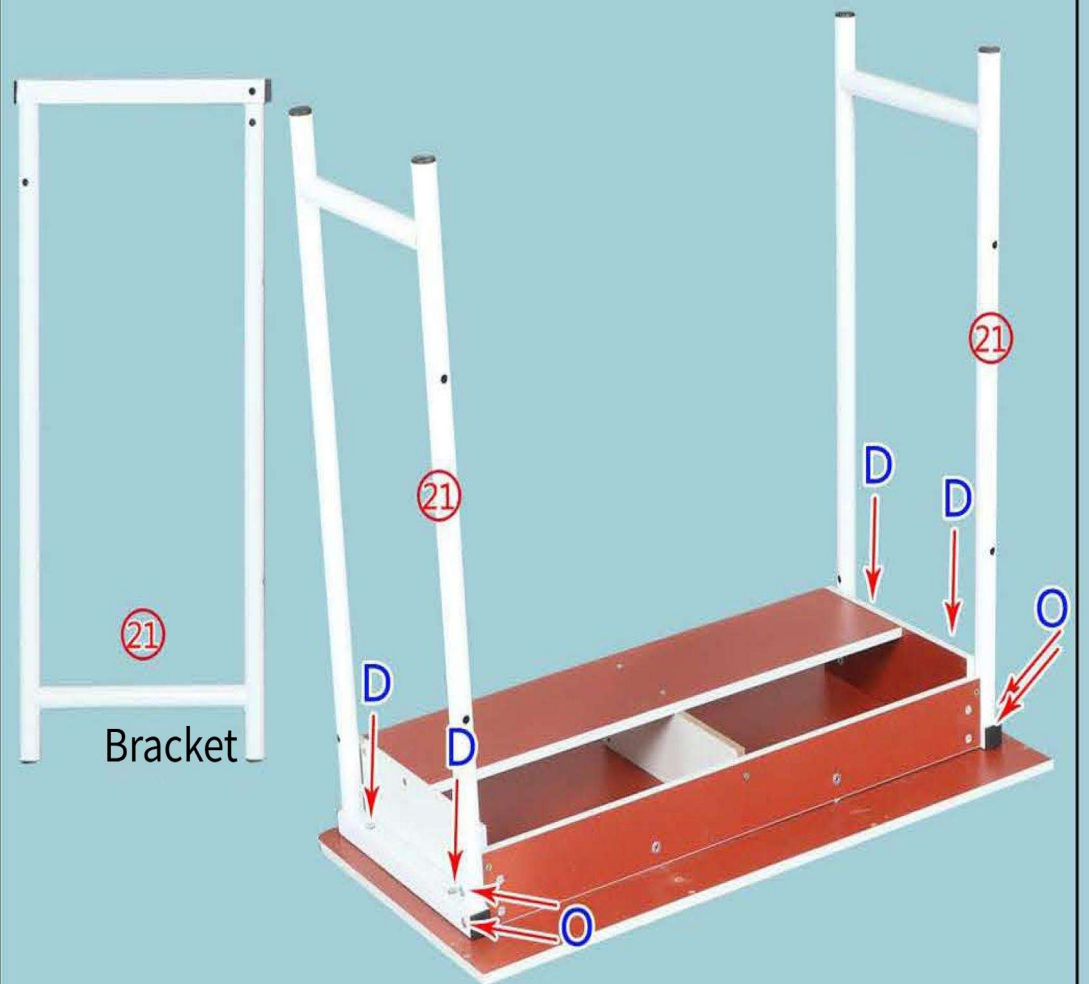
<3>



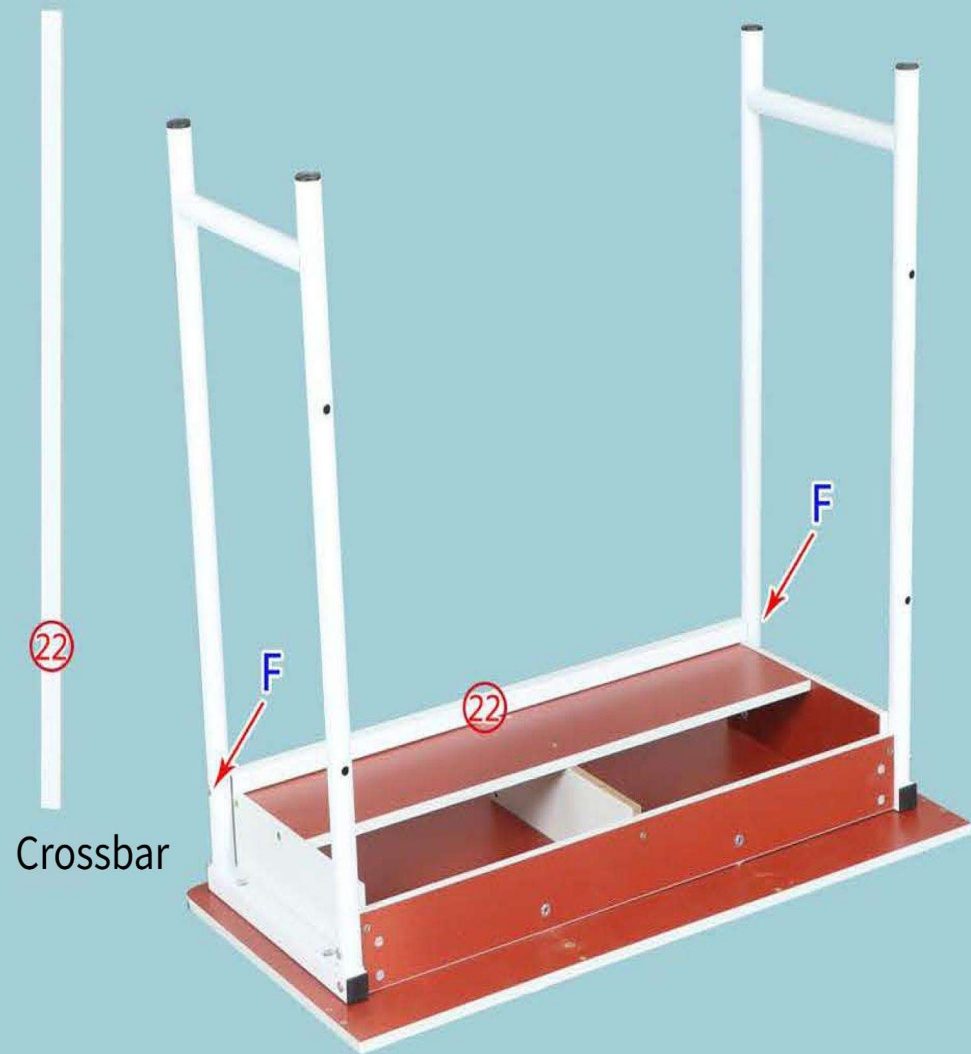
<4>



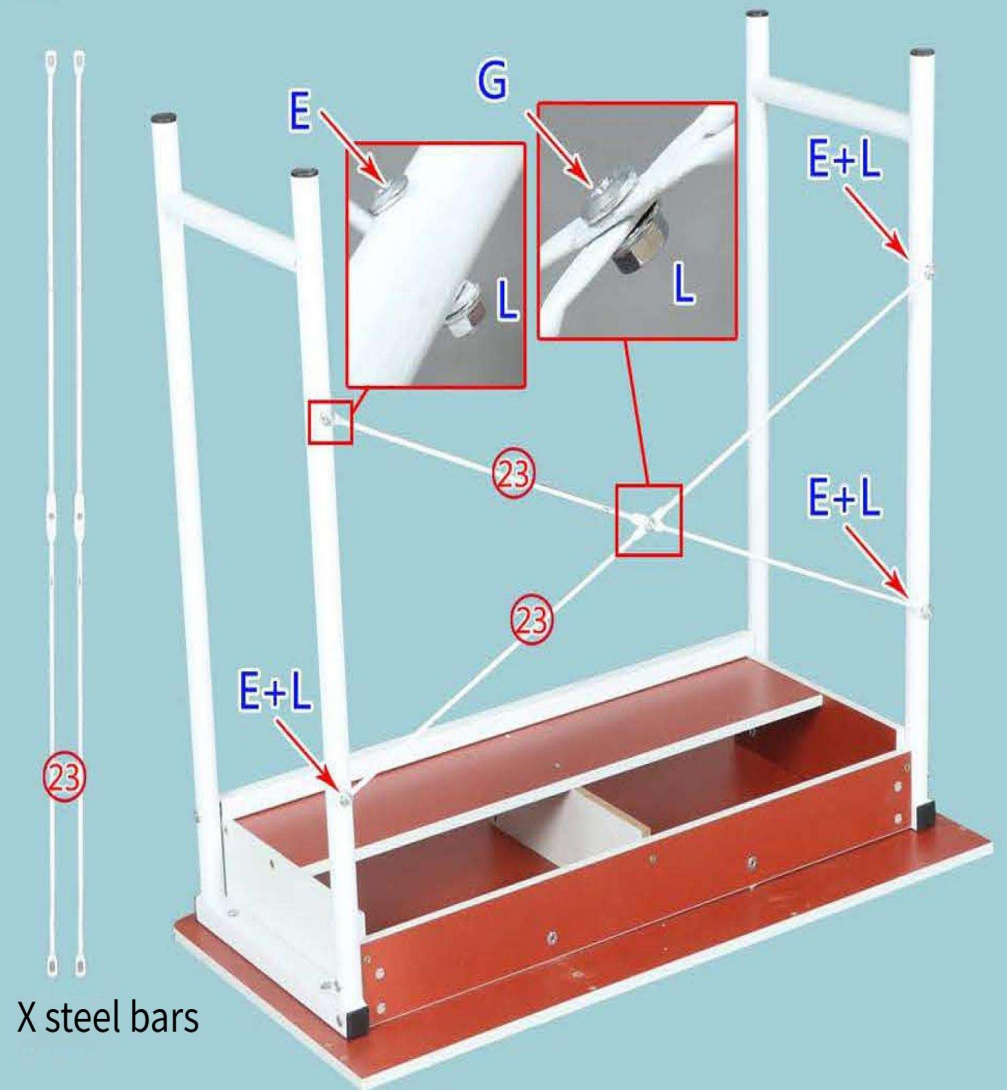
<5>



<6>

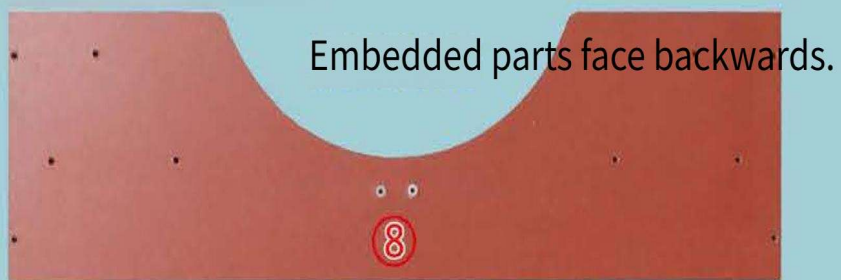


<7>

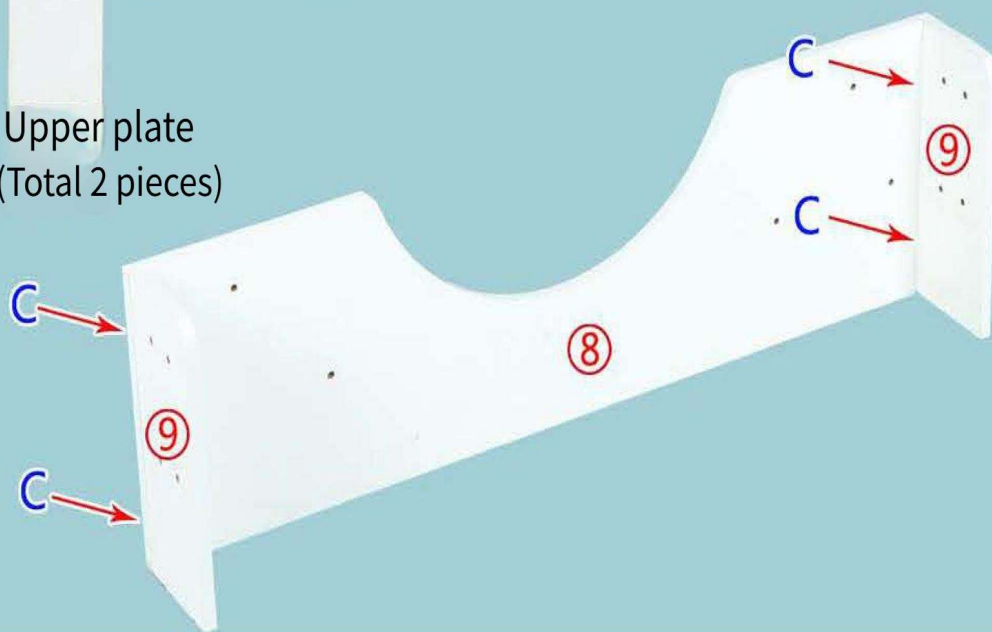


### Step 3: Upper part installation

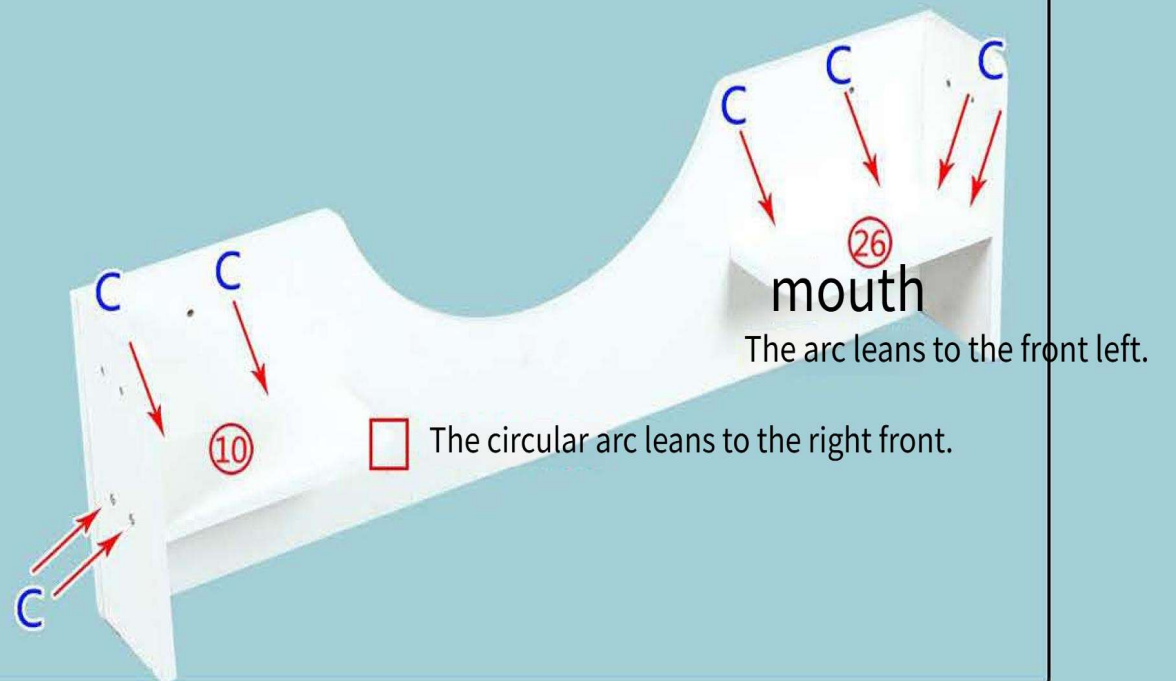
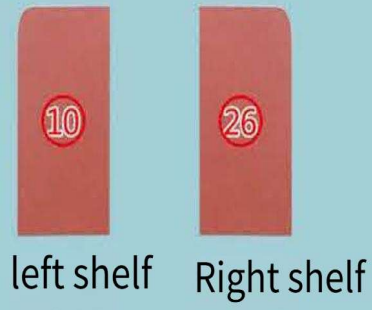
<1>



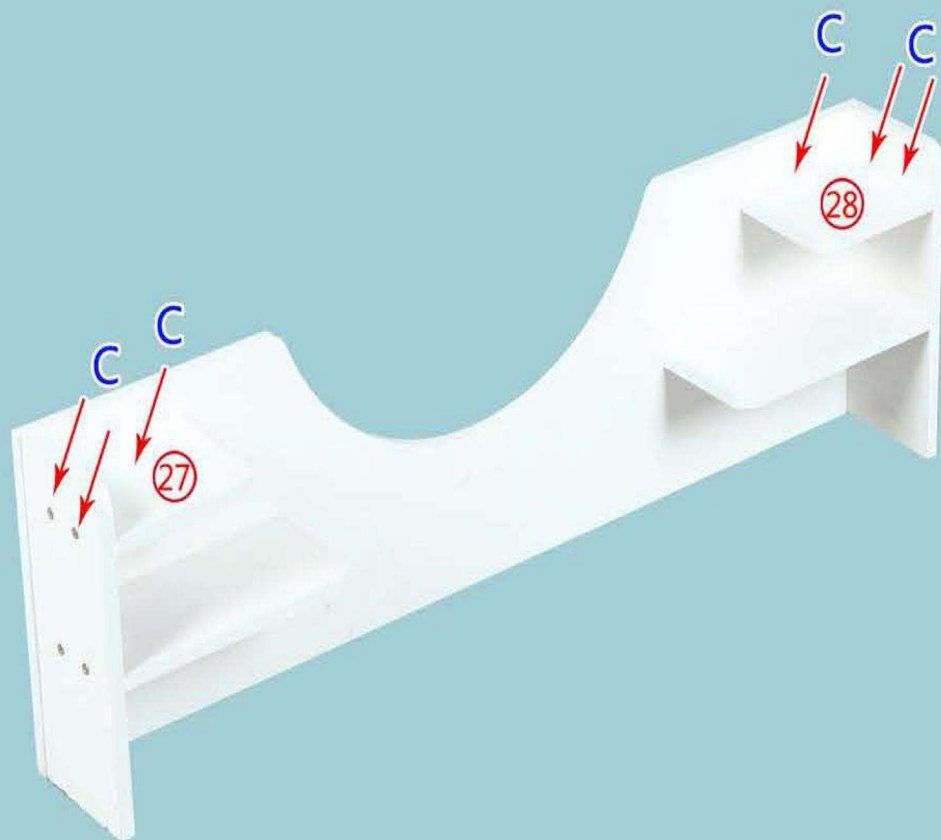
Upper plate  
(Total 2 pieces)



<2>

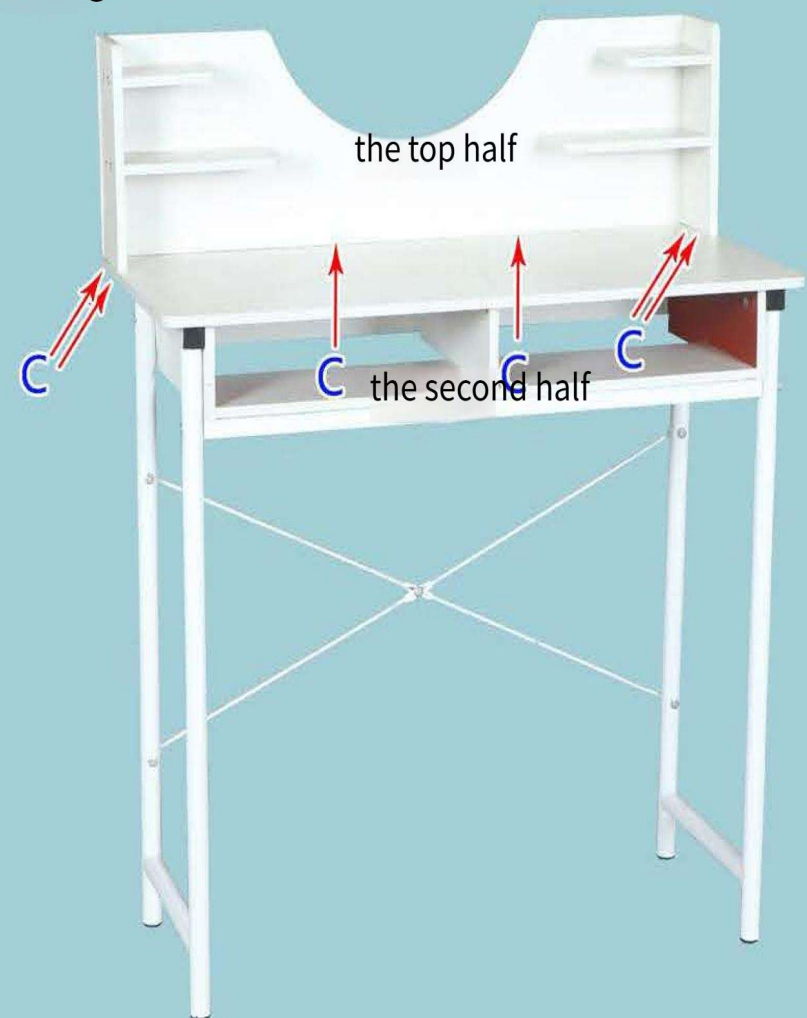


<3>



### Step 4: Overall installation

Overall alignment



<2> Overall alignment



Connecting plate

<3>

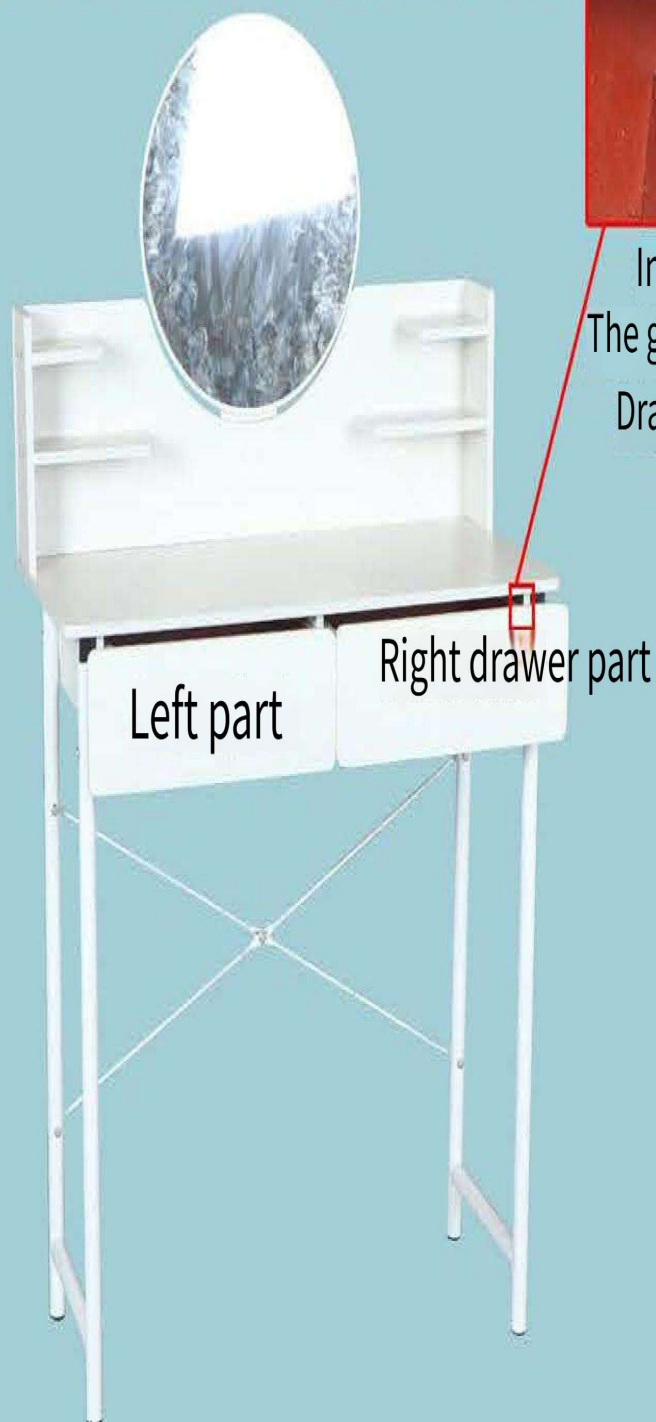


Mirror

Slowly push in and pull out.

Method 1: Push the drawer in and then insert the golden pin.

Method 2: Insert the golden pin and push it in at a 45-degree angle.



Insert golden pins  
The golden lock is used to prevent  
Drawer falls out when pulled out

Left part

Right drawer part

Installation completed.



Finished picture!