

ASSEMBLY INSTRUCTIONS

ITEM #: WF301020AAE

Thank you for purchasing this quality product. Be sure to check all packing material carefully for small Hardware which may have come loose inside the carton during shipment. Identify and count all hardware and compare with the hardware list below

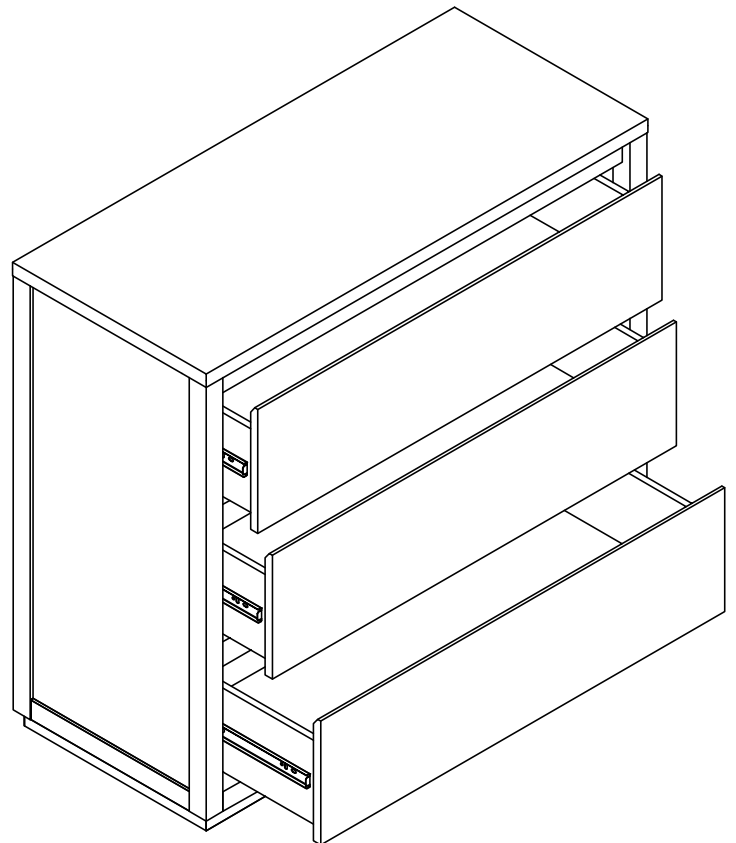
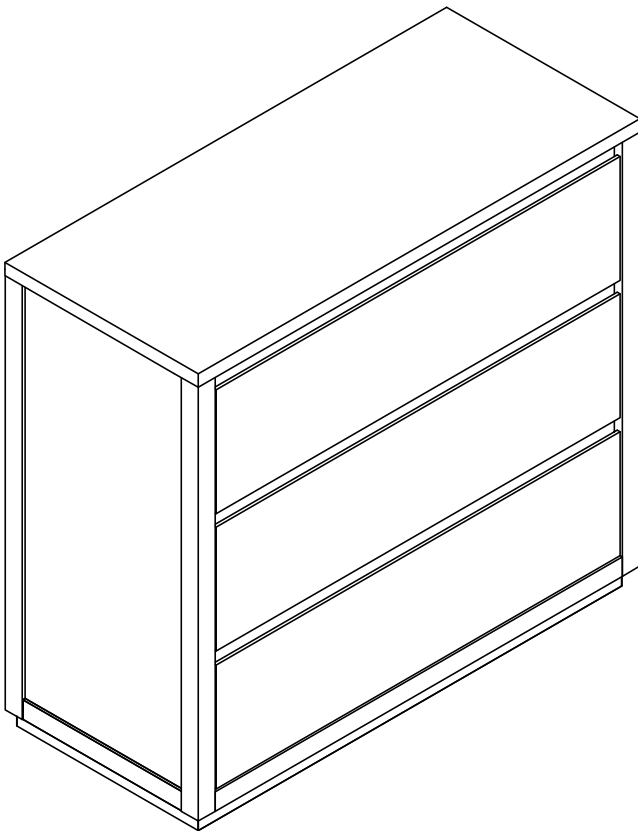
ASSEMBLY INSTRUCTION :

1. Remove hardware from box and sort by size.
2. Please check to see that all hardware and parts are present prior start of assembly.
3. Please follow attached instruction in the same sequence as numbered to assure fast and easy.



WARNING !

1. Don't attempt to repair or modify parts that are broken or defective. Please contact the store immediately.
2. This product is for home use only and not intended for commercial establishments.
3. Two persons are required for assembly.
4. Approximate assembly time: 1/2 hours
5. Component parts and fittings contained in the box.
Please sort out all parts before you begin to assemble the item.
This is to make sure you always use the correct part
6. It is **STRONGLY RECOMMENDED** that you **ANCHOR** this product.
Toppling furniture can cause serious injuries and death.
This product has not been fitted with an anchor strap.
To prevent your furniture from tipping forward it is strongly recommended that you securely attach this product to a wall or other solid surface, using the anchor straps provided and appropriate fixings.



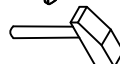
Phillips Screw



Wall Drill



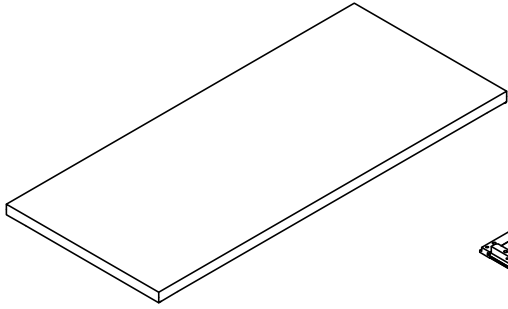
Hammer



ASSEMBLY INSTRUCTIONS

WF301020AAE

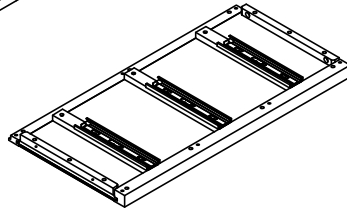
PARTS LIST



1

x1

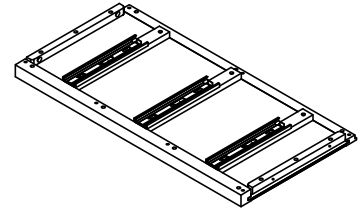
Top panel



2

x1

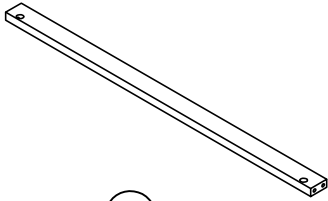
Left side panel



3

x1

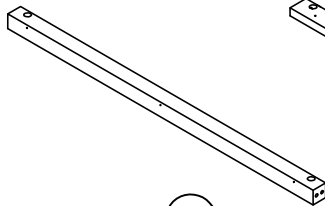
Right side panel



4

x3

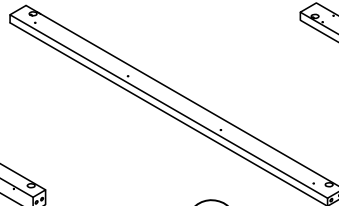
Top front panel



5

x1

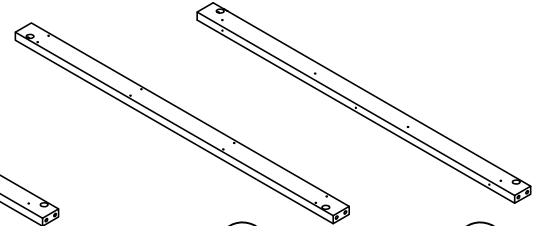
below front panel



6

x1

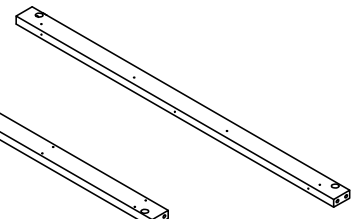
rear panel 1



7

x1

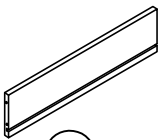
rear panel 2



8

x1

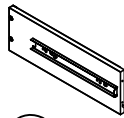
rear panel 3



9

x3

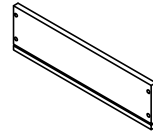
Drawer back panel



10

x3

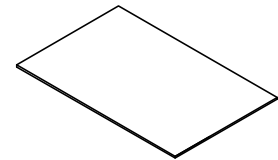
Drawer left side panel



11

x3

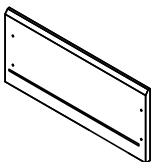
Drawer right side panel



12

x3

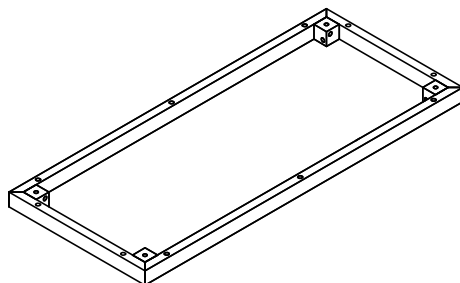
Drawer bottom panel



13

x3

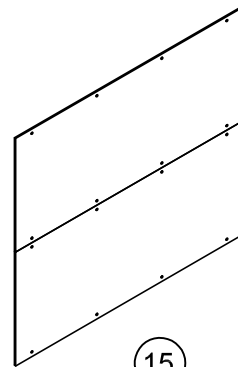
Drawer front panel



14

x1

bottom panel



15

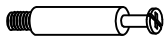
x1

Back panel

ASSEMBLY INSTRUCTIONS

WF301020AAE

HARDWARE LIST



A

x26
Cam-bolts



B

x26
Cam-locks

$\Phi 8^*3/4"$



C

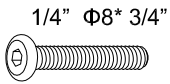
x4
Dowels

$\Phi 8^* 1-1/8"$



D

x14
Dowels



E

x4
Bolts

$\Phi 13^* 1\text{mm}$



F

x4
Flat Washer

$\Phi 10^* 1\text{mm}$



G

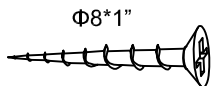
x4
Spring Washer

4mm



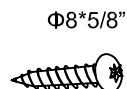
H

x1
Allen Key



I

x12
Screws



J

x16
Screws



K

x4
Hook



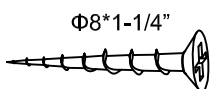
L

x4
Anchor



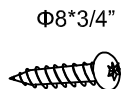
M

x2
Plastic tie



N

x4
Screws



O

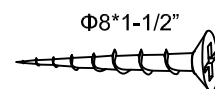
x4
Screws

1/4*20



P

x4
increase and decrease below



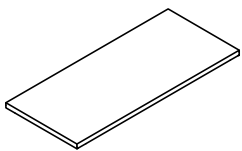
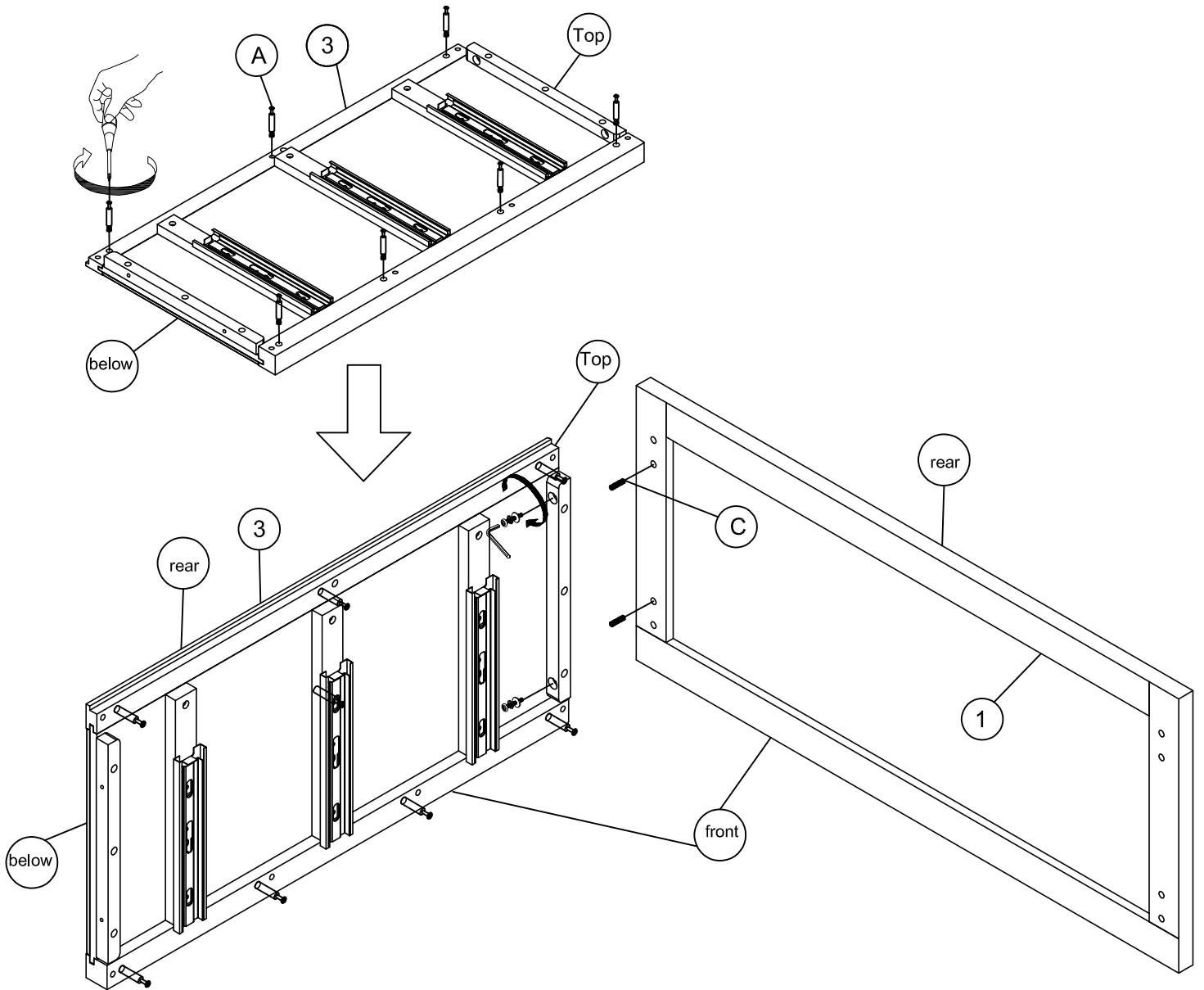
Q

x10
Screws

ASSEMBLY INSTRUCTIONS

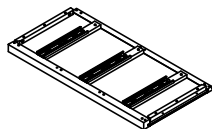
WF301020AAE

STEP 1



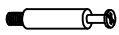
1

x1
Top panel



3

x1
Right side panel



A

x7
Cam-bolts



C

x2
Dowels



E

x2
Bolts



F

x2
Flat Washer



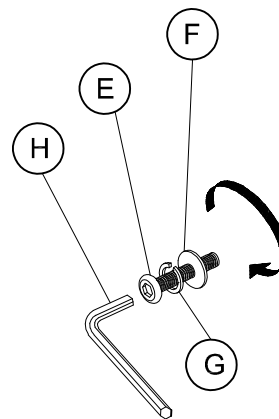
G

x2
Spring Washer



H

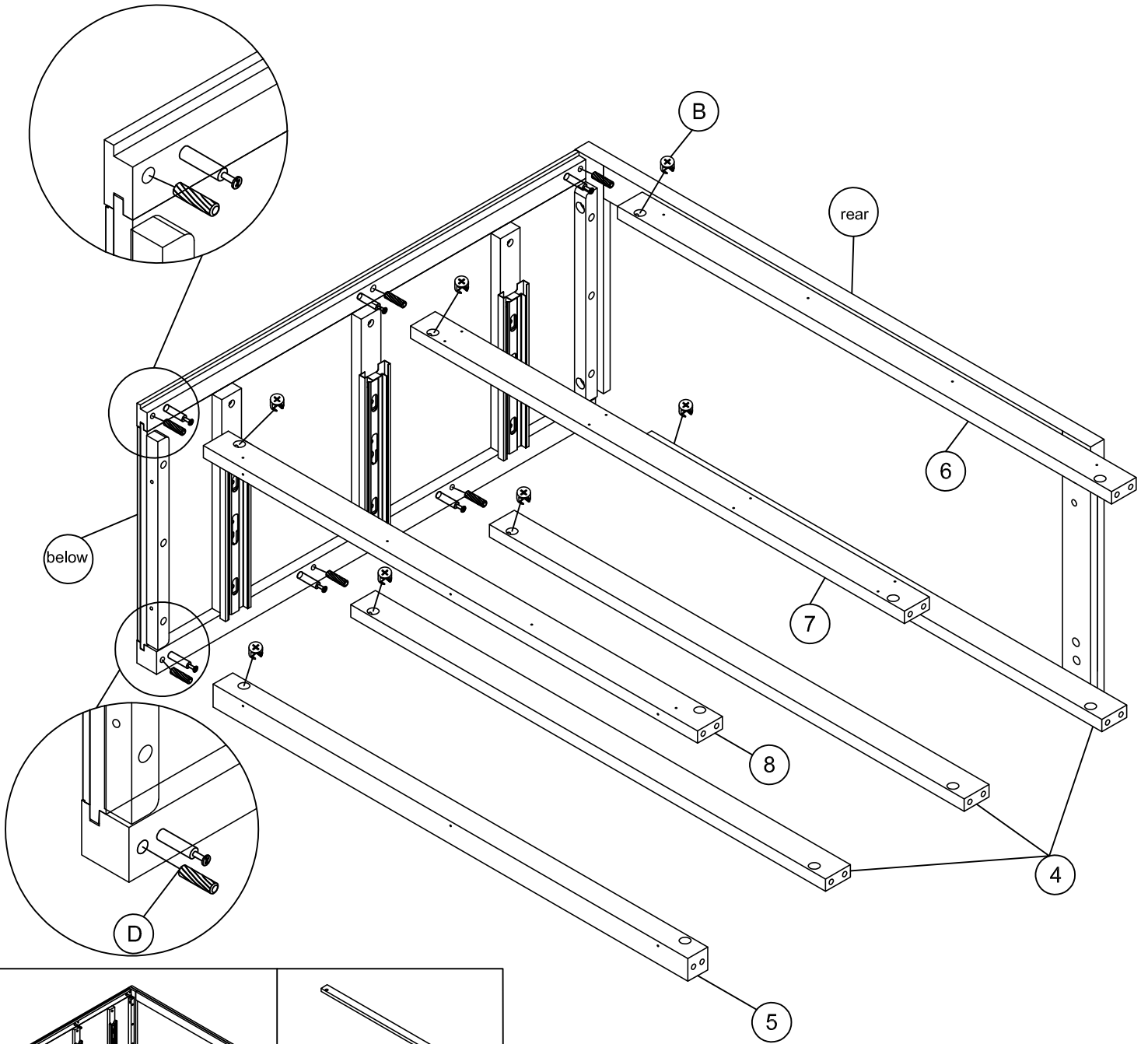
x1
Allen Key



ASSEMBLY INSTRUCTIONS

WF301020AAE

STEP 2



4
x3
Top front panel

5
x1
below front panel

6
x1
rear panel 1

7
x1
rear panel 2

8
x1
rear panel 3

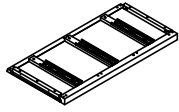
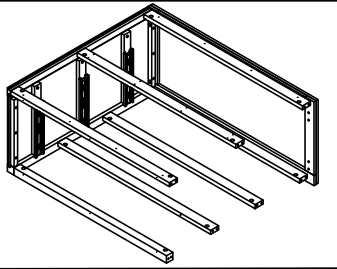
B
x7
Cam-locks

D
x7
Dowels

ASSEMBLY INSTRUCTIONS

WF301020AAE

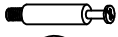
STEP 3



2

x1

Left side panel



A

x7

Cam-bolts



B

x7

Cam-locks



C

x2

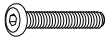
Dowels



D

x7

Dowels



E

x2

Bolts



F

x2

Flat Washer



G

x2

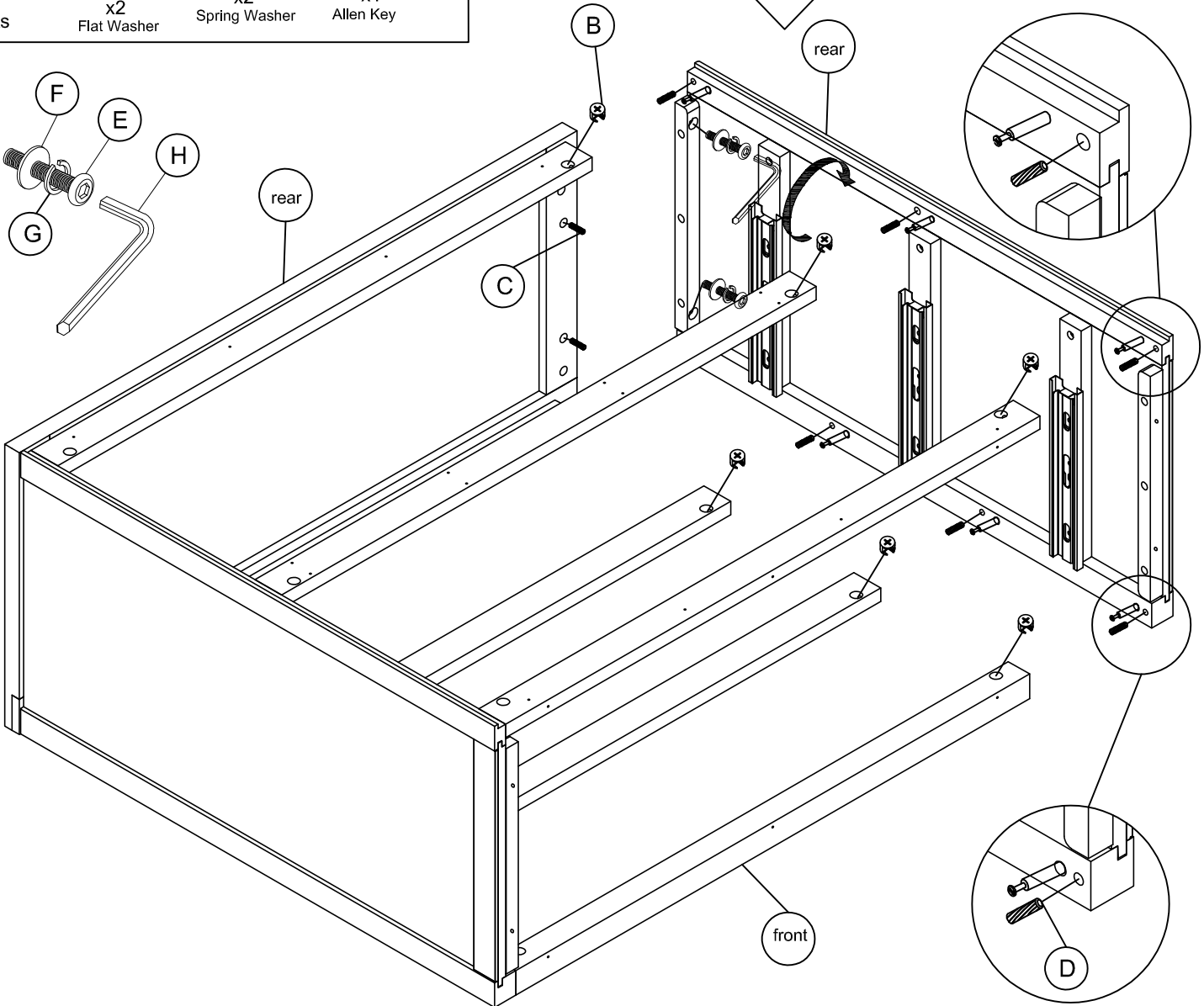
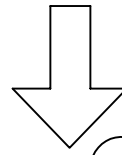
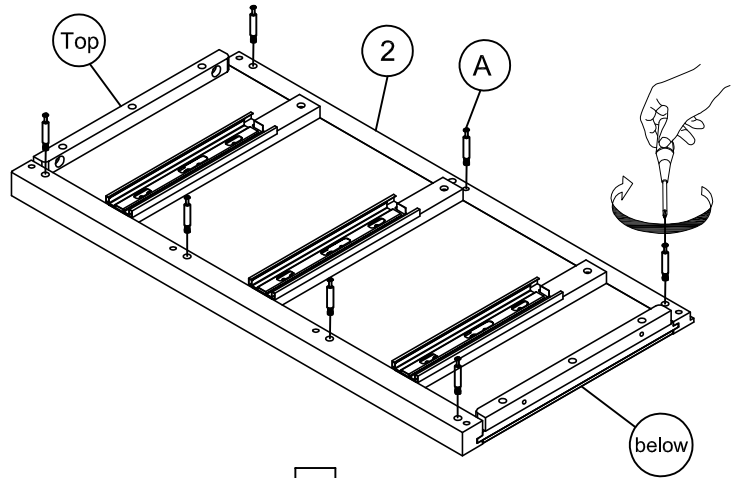
Spring Washer



H

x1

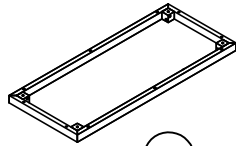
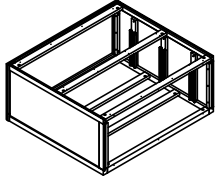
Allen Key



ASSEMBLY INSTRUCTIONS

WF301020AAE

STEP 4



14

x1

bottom panel



P

x4

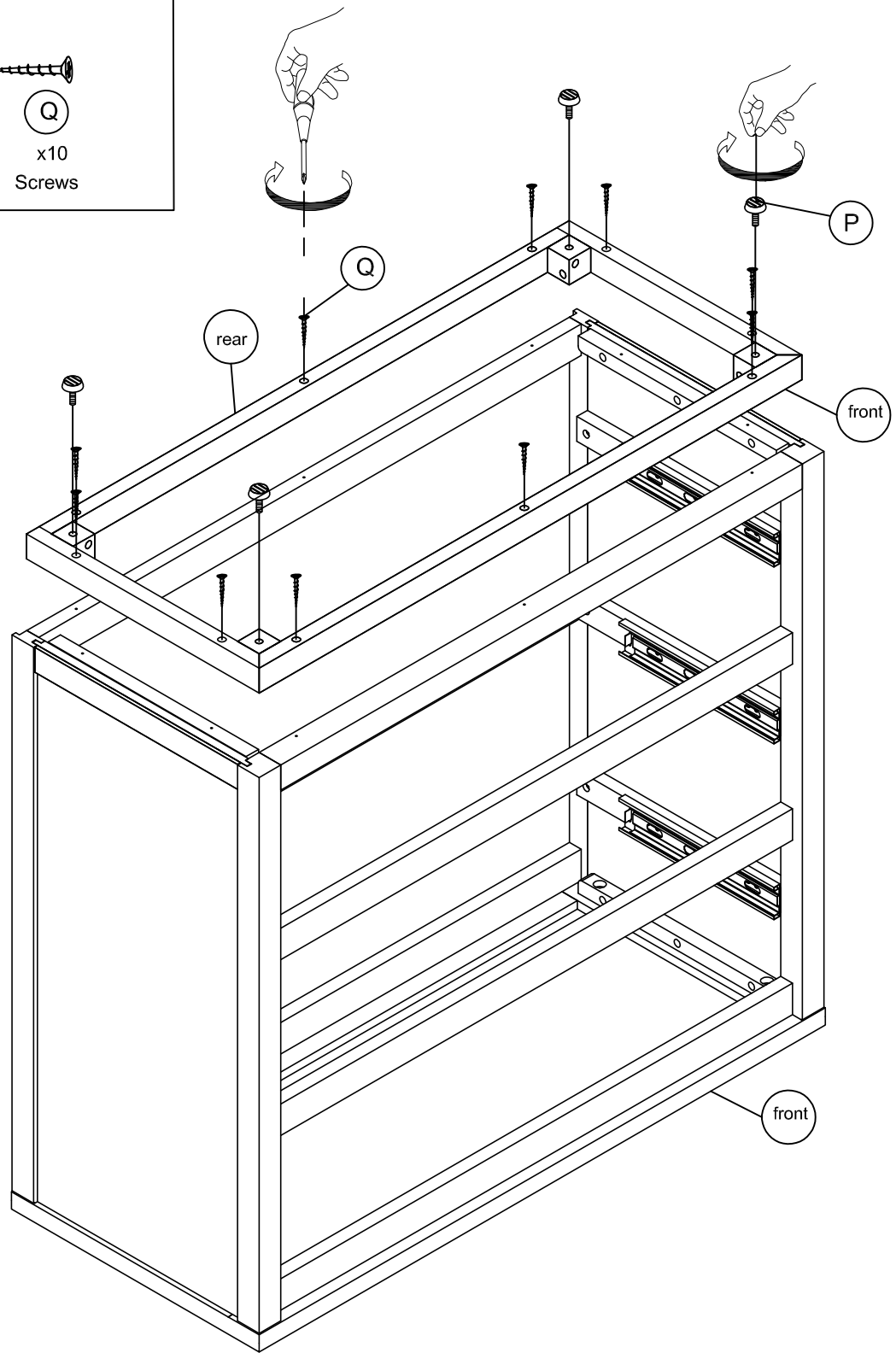
increase and decrease below



Q

x10

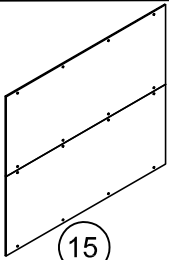
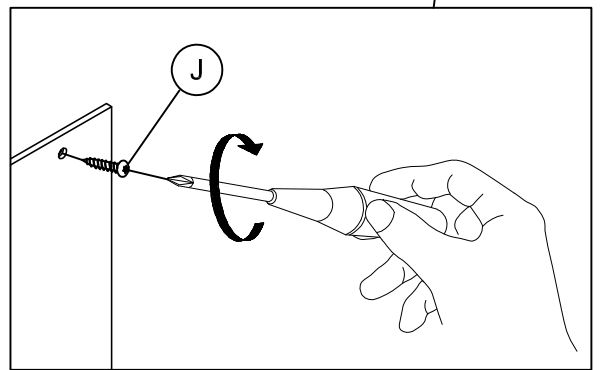
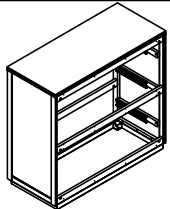
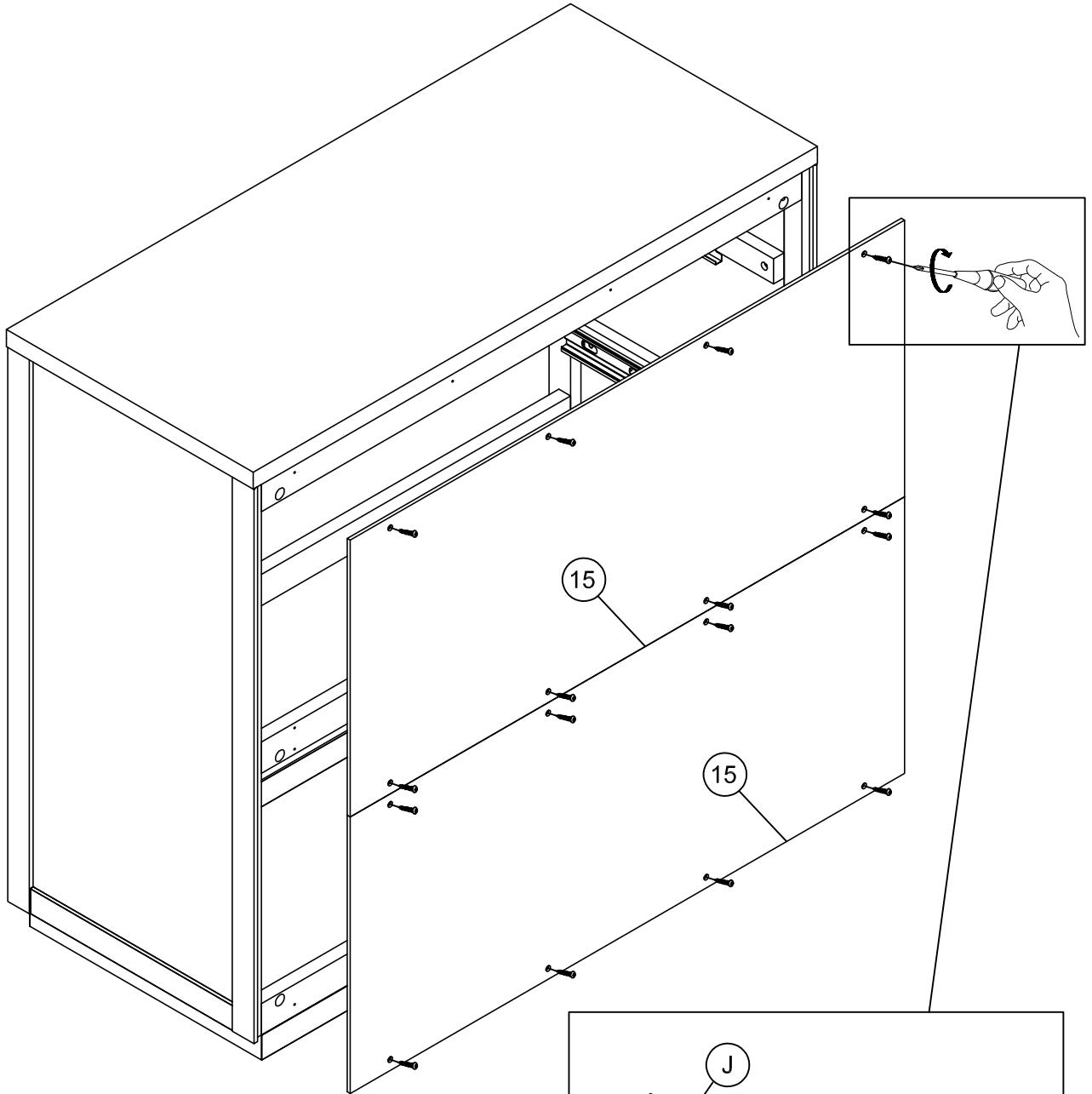
Screws



ASSEMBLY INSTRUCTIONS

WF301020AAE

STEP 5



15
x1
Back panel

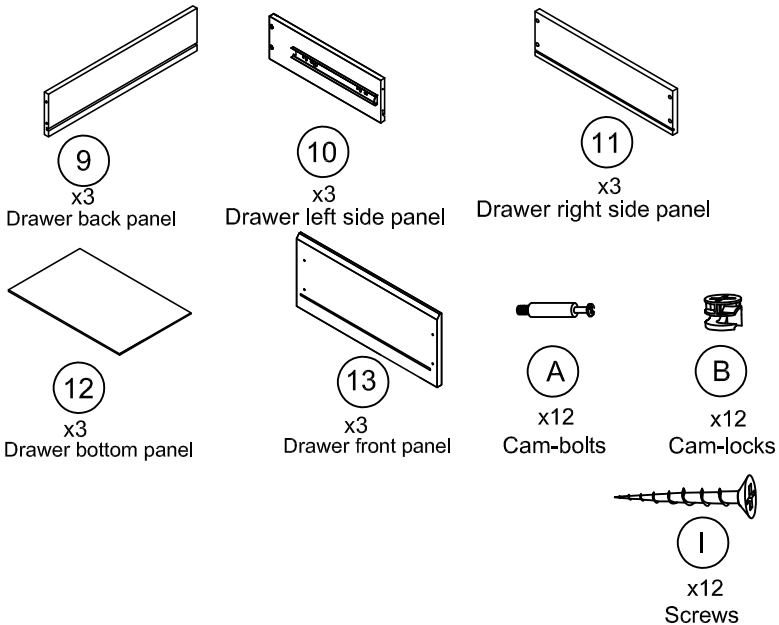
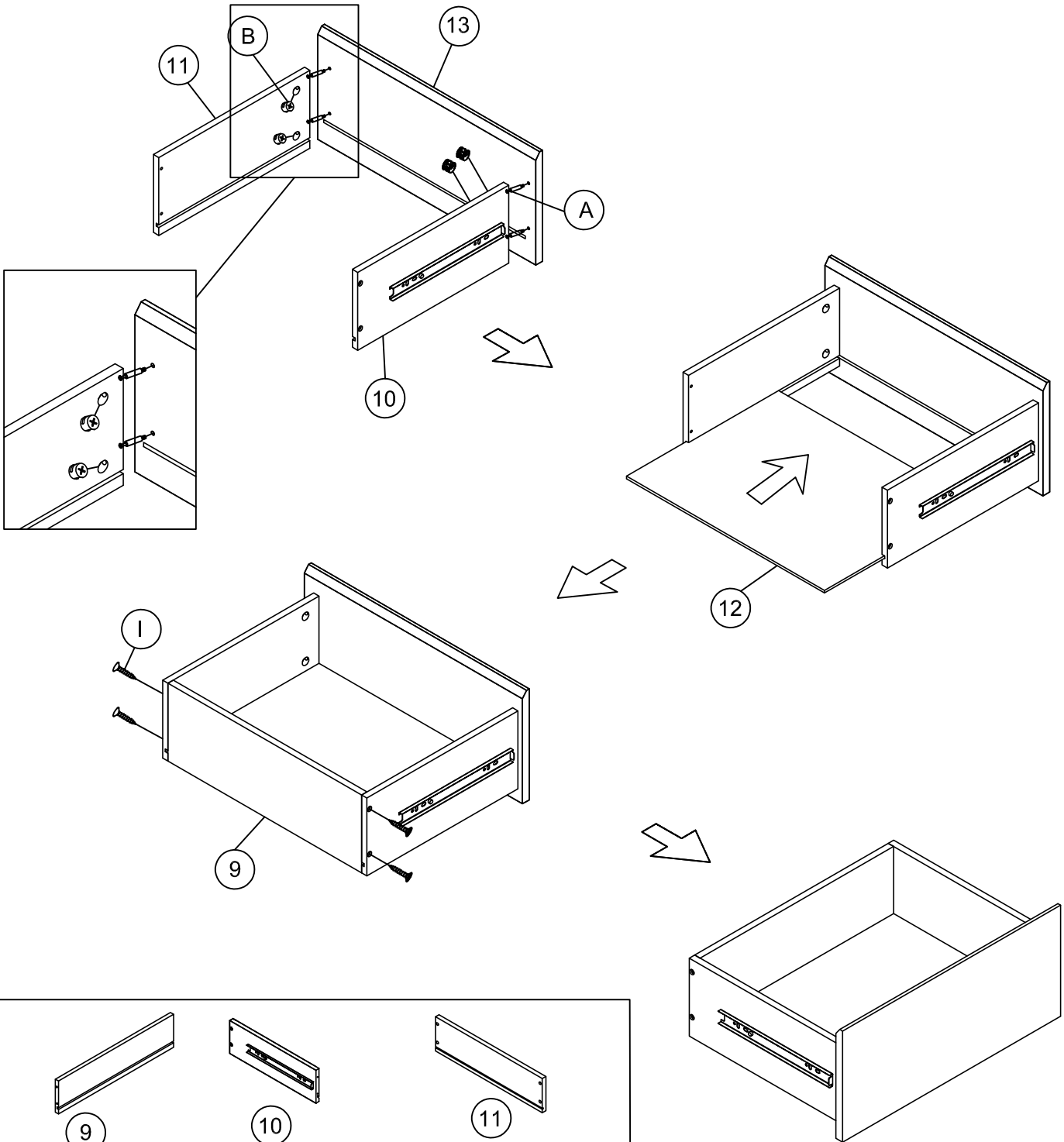


J
x16
Screws

ASSEMBLY INSTRUCTIONS

WF301020AAE

STEP 6



ASSEMBLY INSTRUCTIONS

WF301020AAE

STEP 7

Place the Cabinet in the desired location against the wall. Mark the position of the attached Hooks on the wall and remove the Cabinet. Using one of the remaining Hooks (K) as a template, Place the Hook (K) under the marks on the wall and mark the two hole positions. Drill the holes for the Anchors (L) and insert the Anchors (L) into the wall. Attach the remaining Hooks (K) to the Anchors (K) with Screw (N). Fully tighten the screws. Return the Cabinet to the selected position and connect the Hooks (K) together with Plastic Tie (M). Assembly is now complete.

