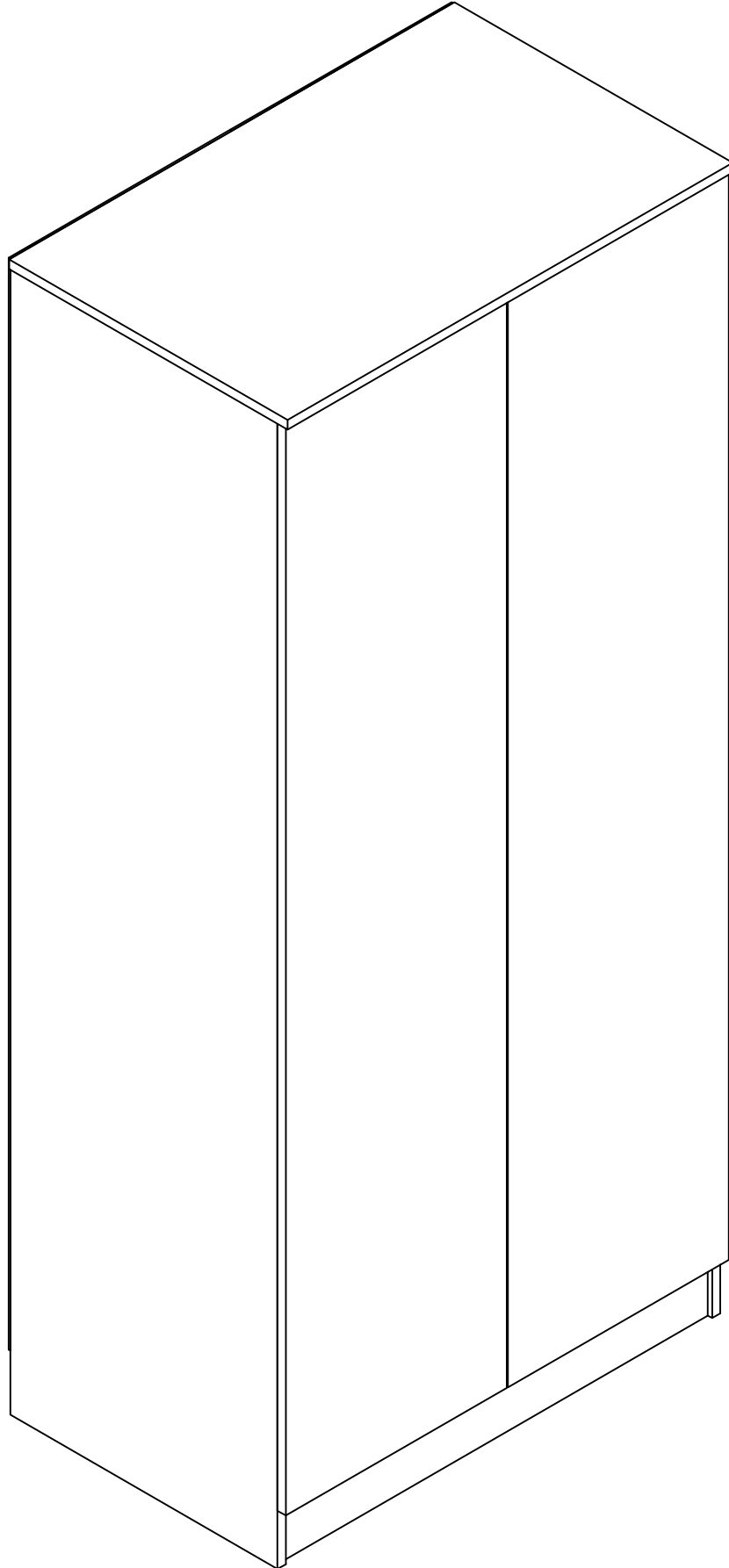


2 DOOR WARDROBE

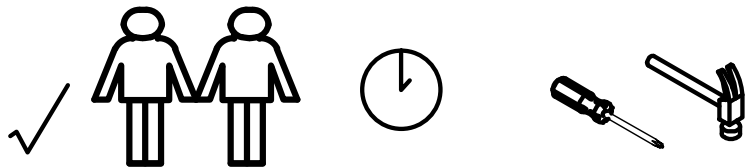
ASSEMBLY INSTRUCTION - Please Keep For Future Reference



Safety and Care Advice

IMPORTANT - Please Read This Instruction Carefully Before Assembly.

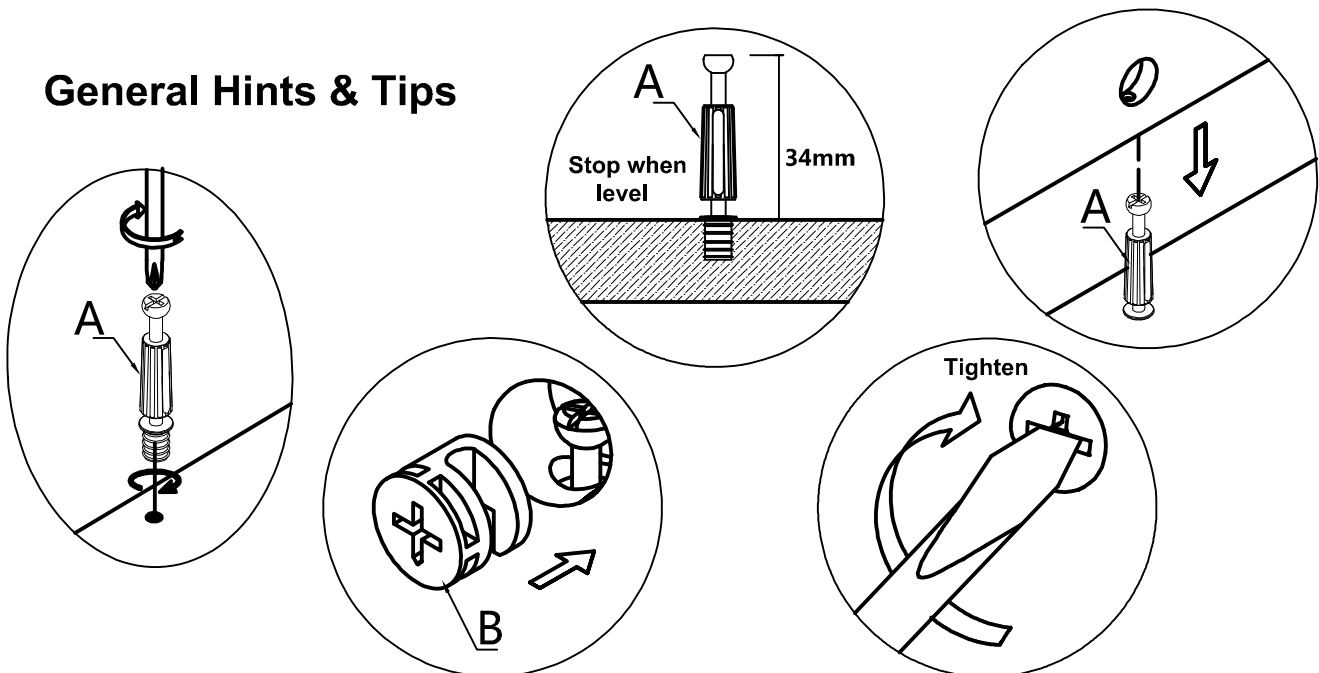
- Check you have all the components and tools listed on page 3.
- Do not stand or put weight on the product, this could cause damage.
- Do not use power drill/drivers for assembly, or the unit may be damaged.
- Remove all settings from the plastic bags and separate them into their groups.
- Assemble the item as close to it's intended position (in the same room) as possible.
- Assemble on a soft level surface to avoid damaging the unit.
- Dispose of all packaging carefully and responsibly.
- Keep children and animals away from the work area, small parts could choke if swallowed.
- Assemble the assembly will be easier with 2 people.



CARE and MAINTENANCE

- Only clean using a damp cloth and mild detergent, do not use bleach or abrasive cleaners.
- From time to time check that there are no loose screws on this unit.
- This product should not be discarded with household waste. Take to your local authority waste disposal center.

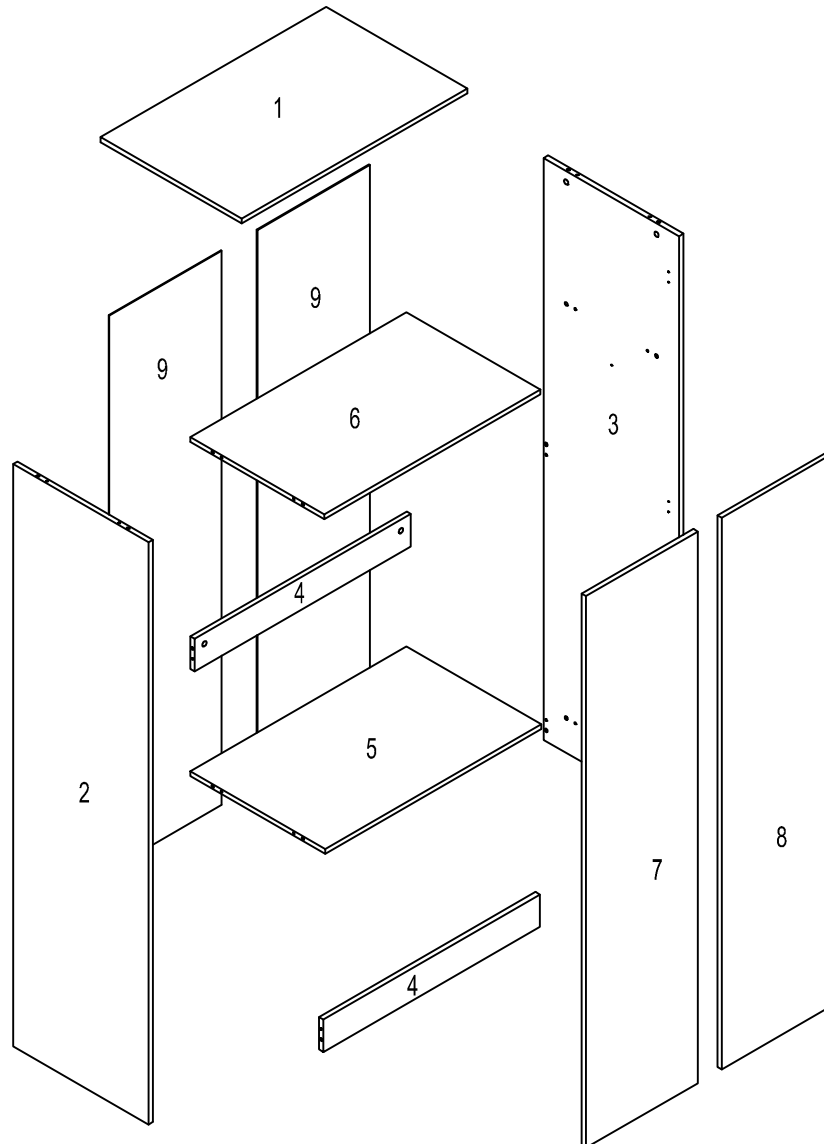
General Hints & Tips

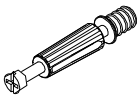
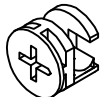
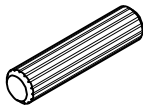

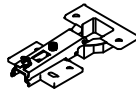

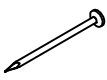
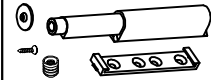

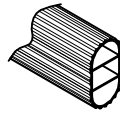
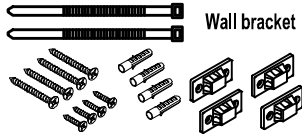


Components and Tools

IMPORTANT - Please Check If You Have All The Components and Tools.




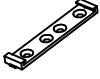
Note: The quantities below are the correct amount to complete the assembly. In some cases more pieces may be supplied than are required.

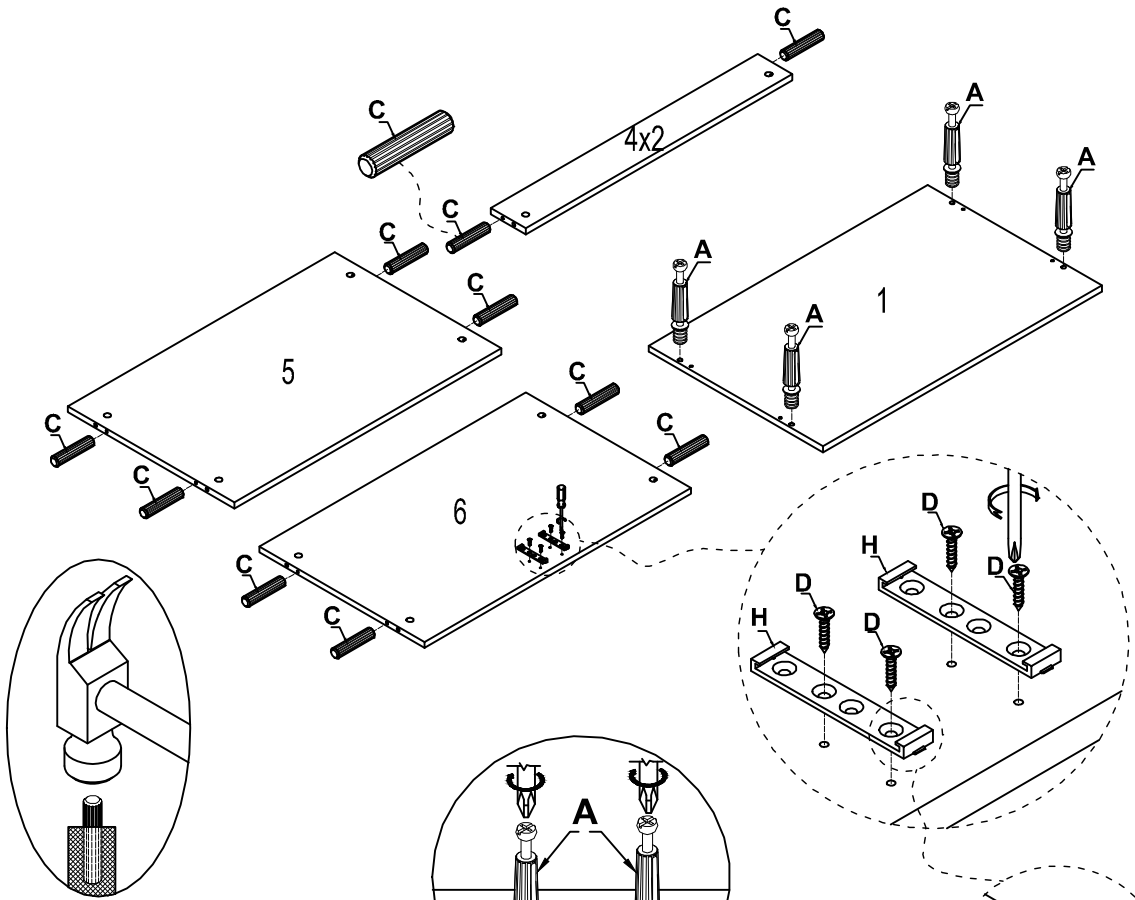


A=16  Peg M6*34mm	B=16  Lock M15*12mm	C=16  Dowel M8*30mm	D=44  Screw M3.5*14mm	E=6  Full Overly Door Hinge	F=4  Plastic Feet
G=22  Pin	H=2  push-to-open mechanism	I=2  Clothes Holder	J=1  Clothes Bar 760mm	P=1  Wall bracket	

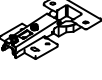



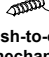
Assembly Instruction

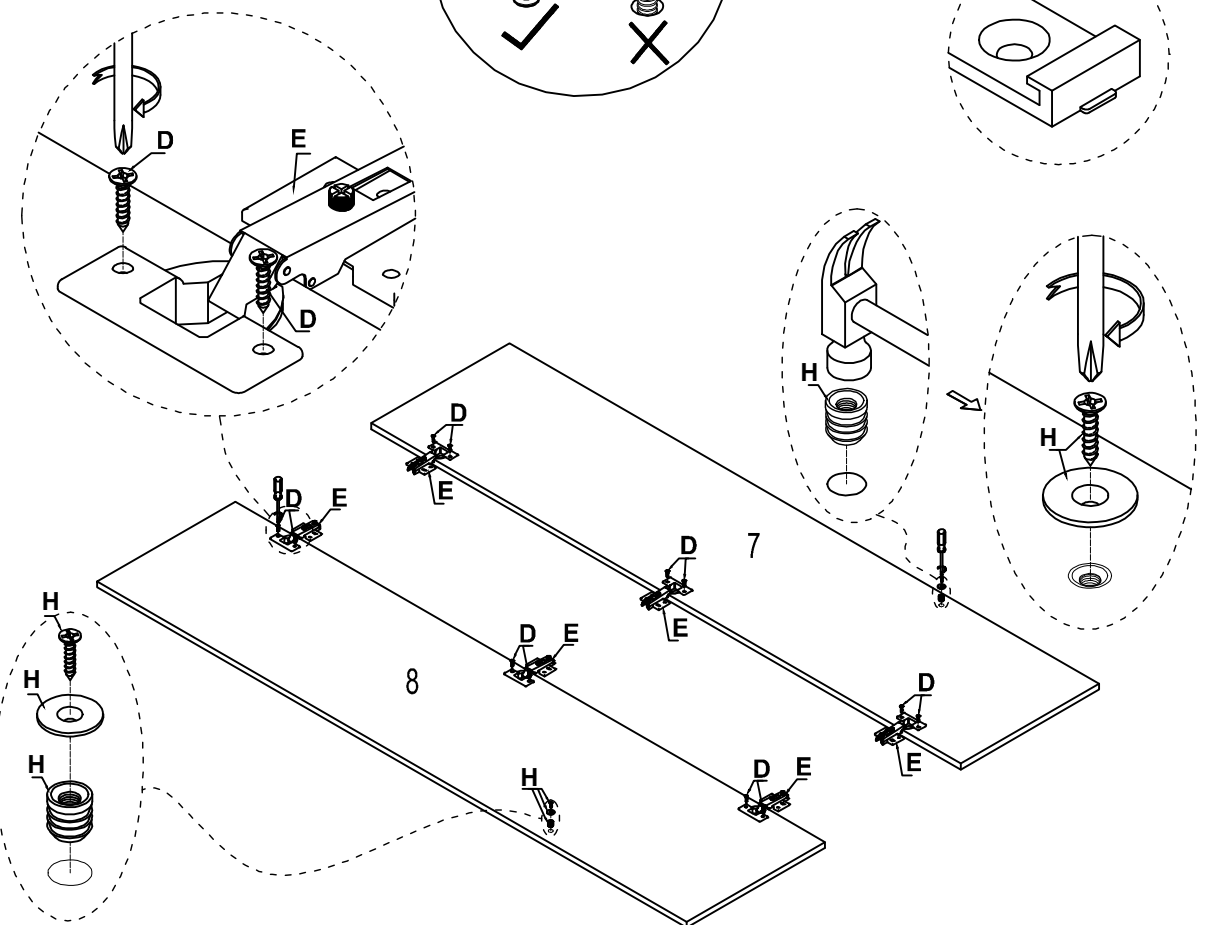
Step 1

A=4	C=12
	
Peg	Dowel
D=4	H=2
	
Screw M3.5*14mm	push-to-open mechanism



Step 2

E=6	D=12
	
Full Overly Door Hinge	Screw M3.5*14mm
H=2	
	
	
	
push-to-open mechanism	



Assembly Instruction

Step 3

A=12 C=4

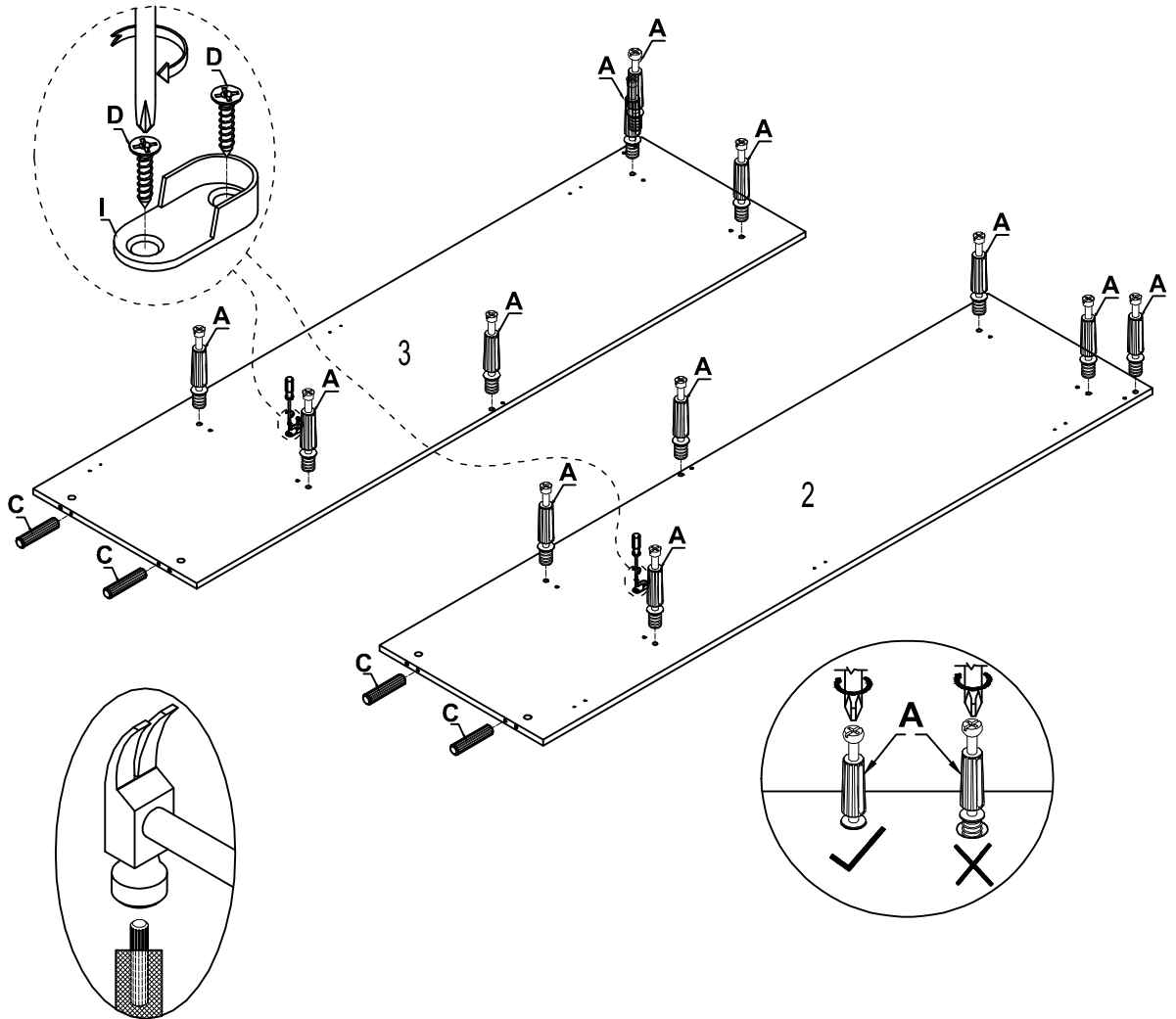


Peg Dowel

I=2 D=2



Clothes Holder Screw M3.5*14mm

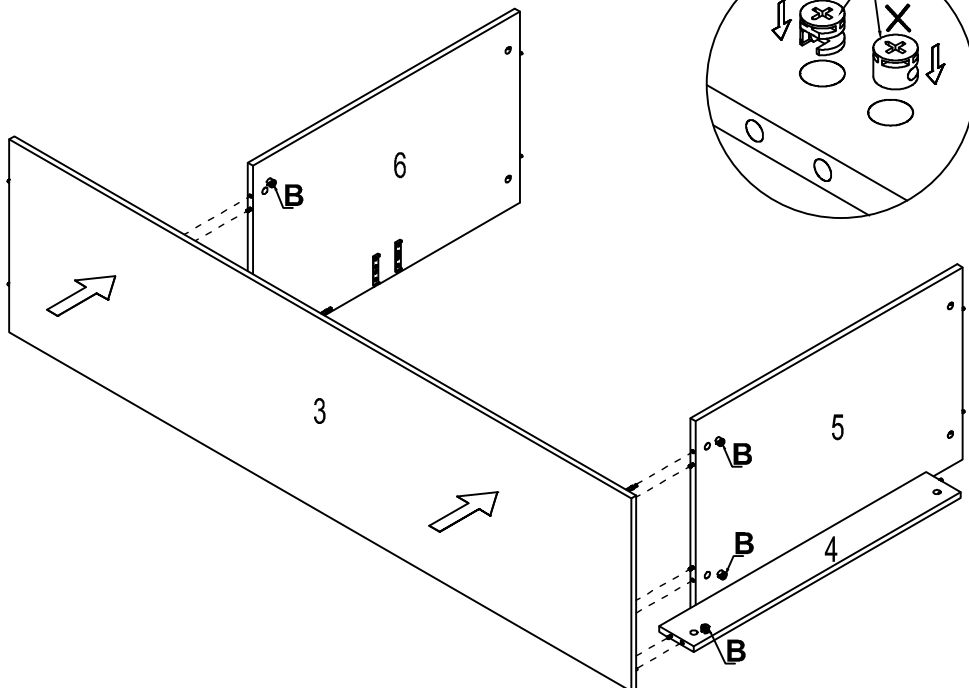


Step 4

B=4



Lock



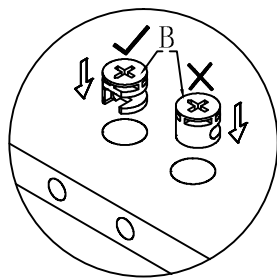
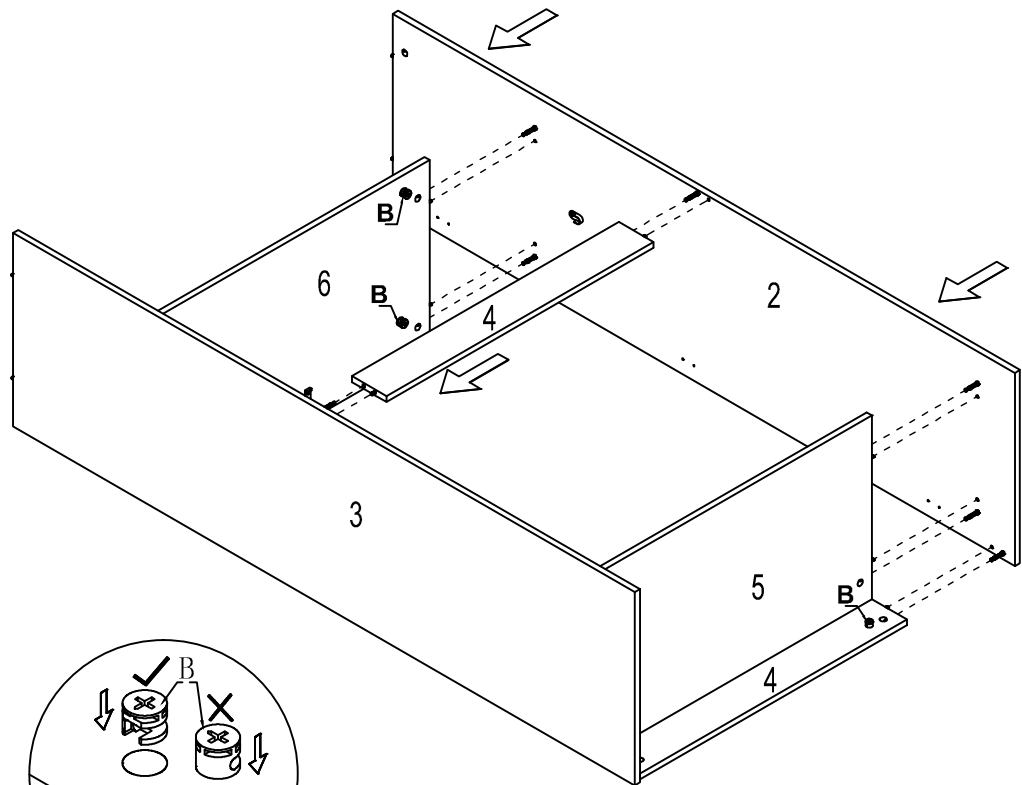
Assembly Instruction

Step 5

B=7



Lock

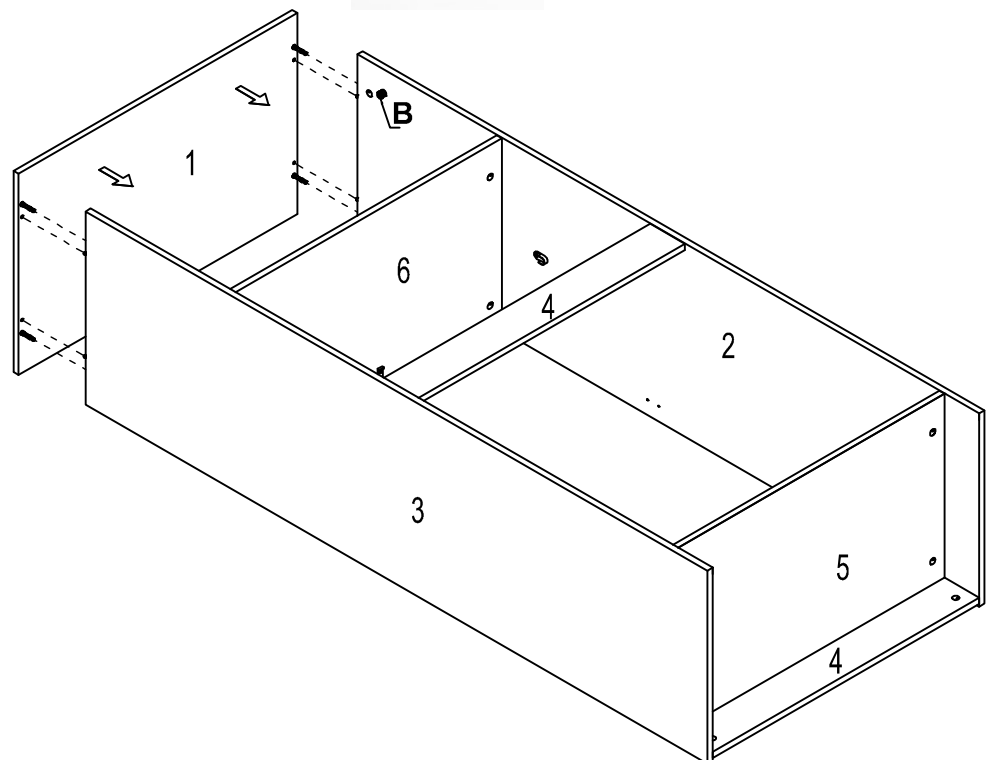


Step 6

B=4



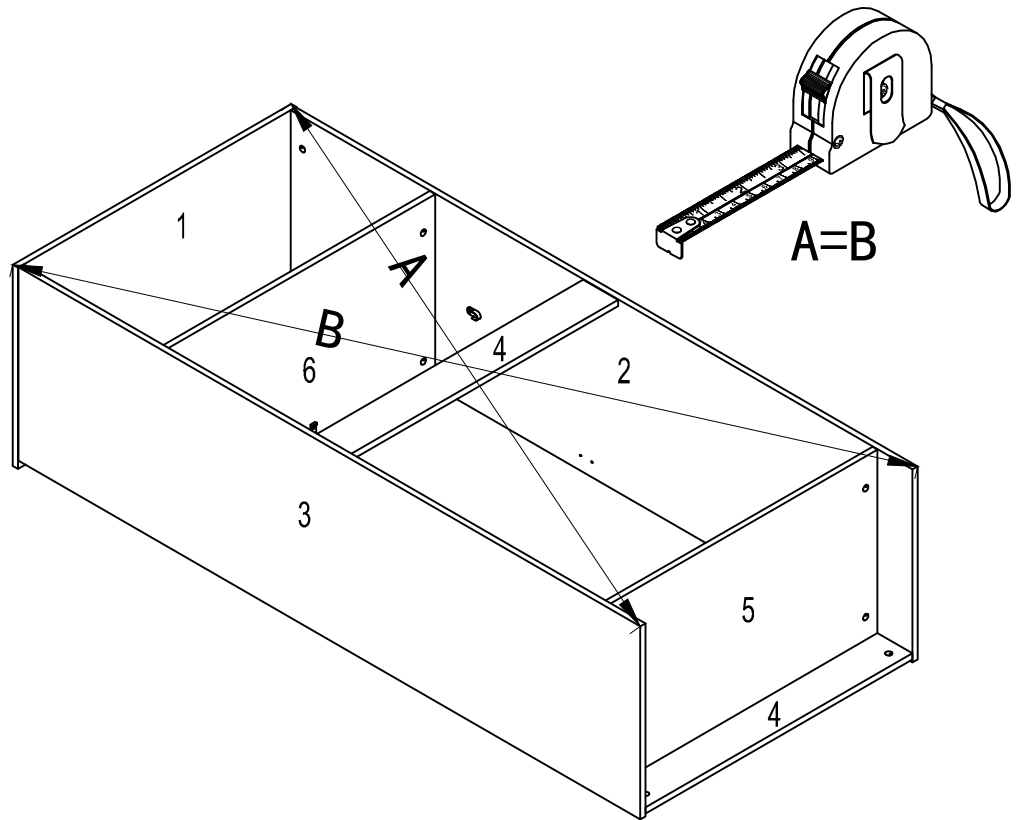
Lock



**DO NOT LIFT THE
WARDROBE UNTIL THE BACK
HAS BEEN FITTED**

Assembly Instruction

Step 7



Step 8

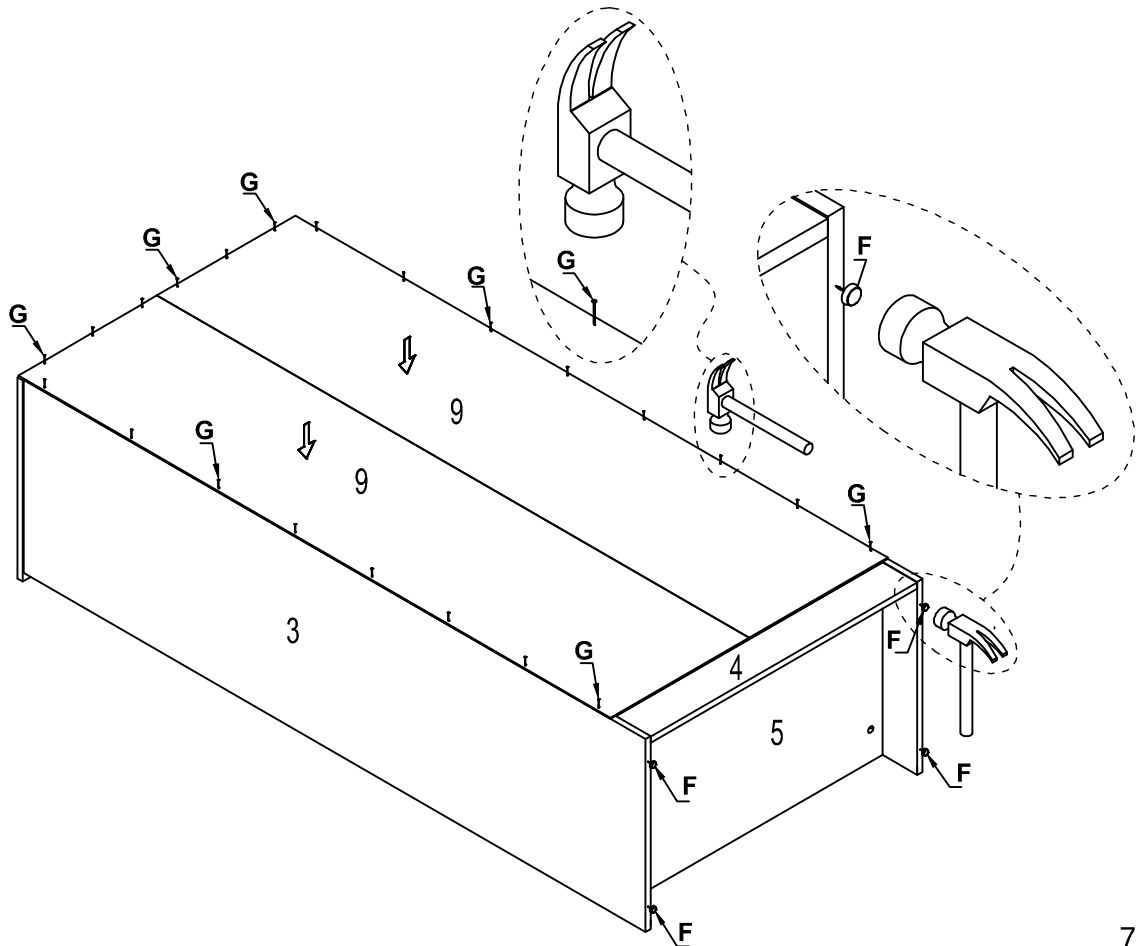
F=4

F=22



Plastic
Feet

Pin

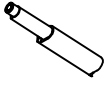


Assembly Instruction

Step 9

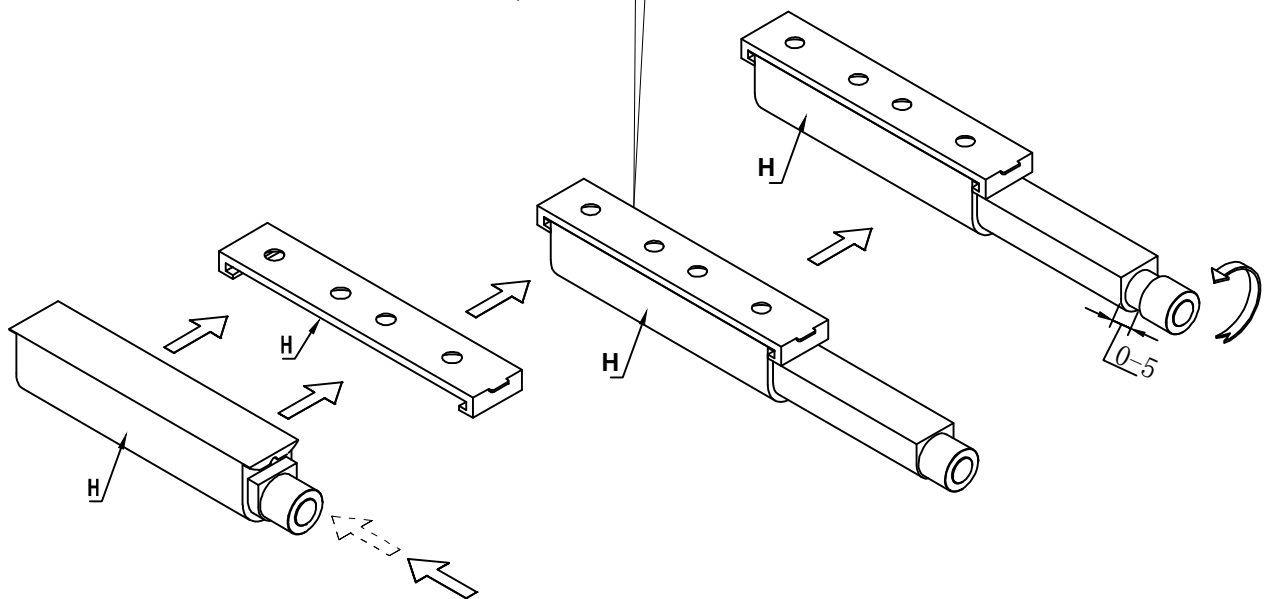
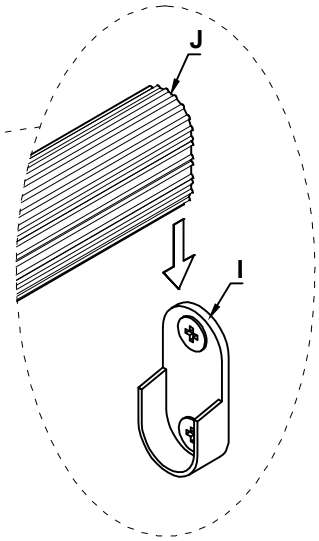
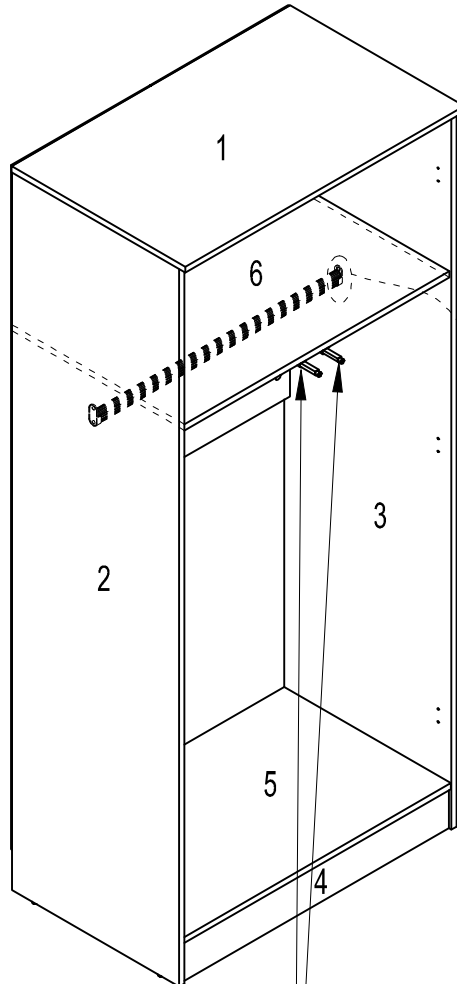
J=1

H=2



Clothes Bar

push-to-open mechanism



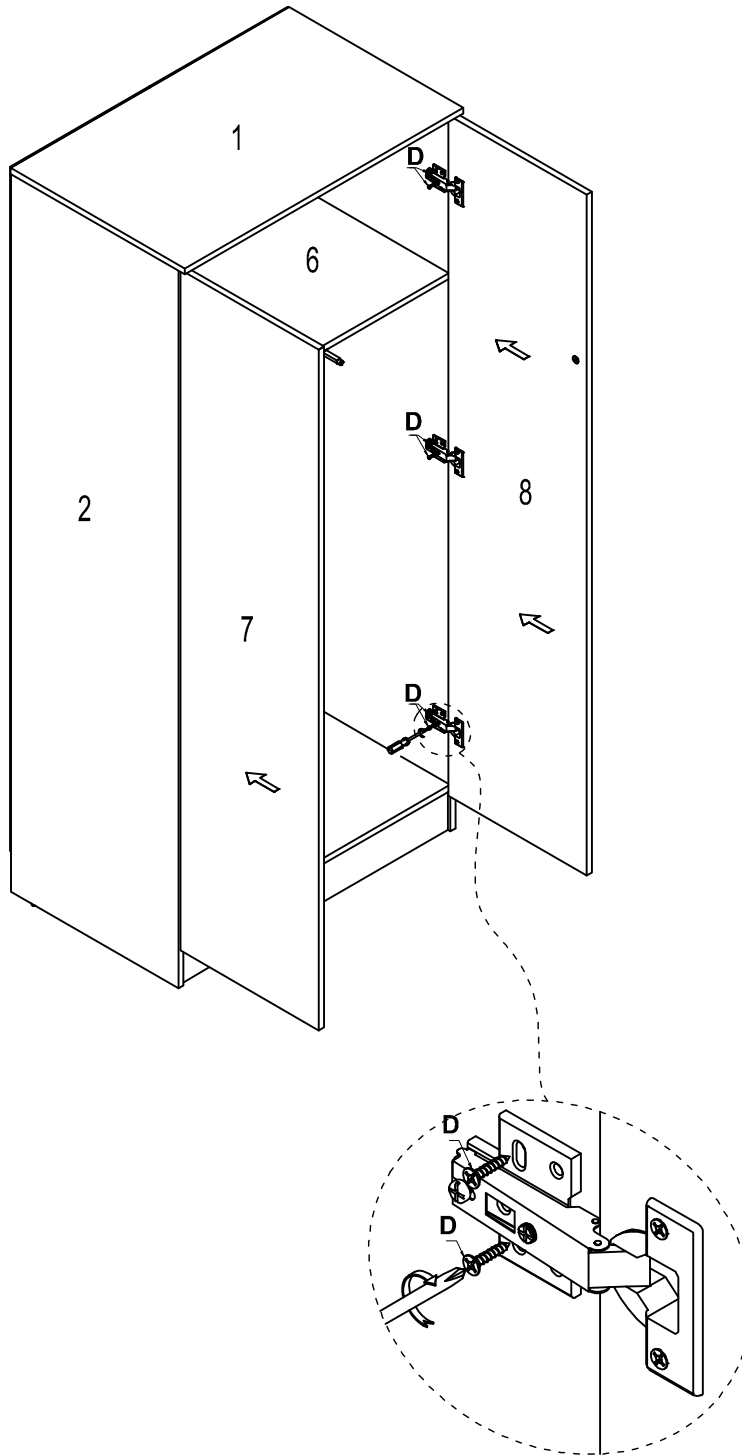
Assembly Instruction

Step 10

D=12

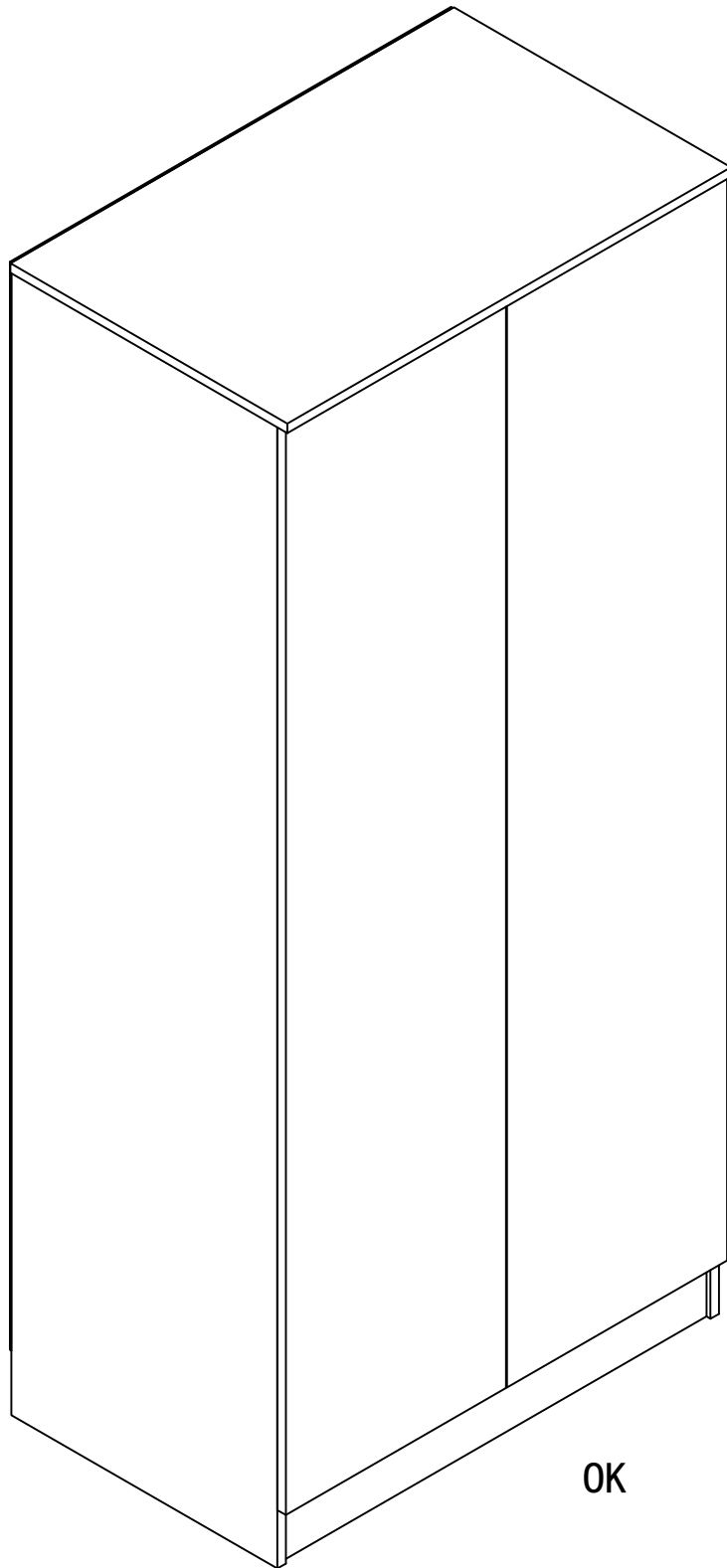


Screw
M3.5*14mm



Assembly Instruction

Step 11

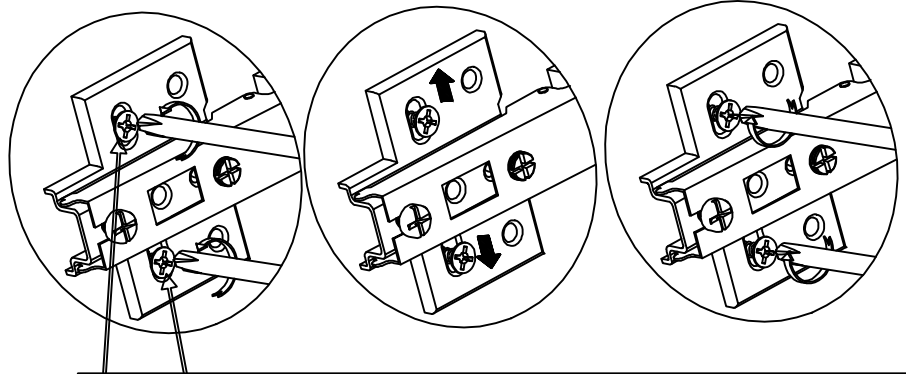
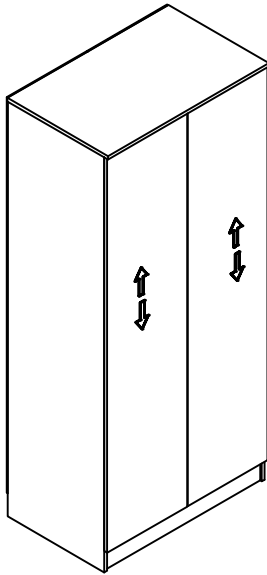


STEP 12



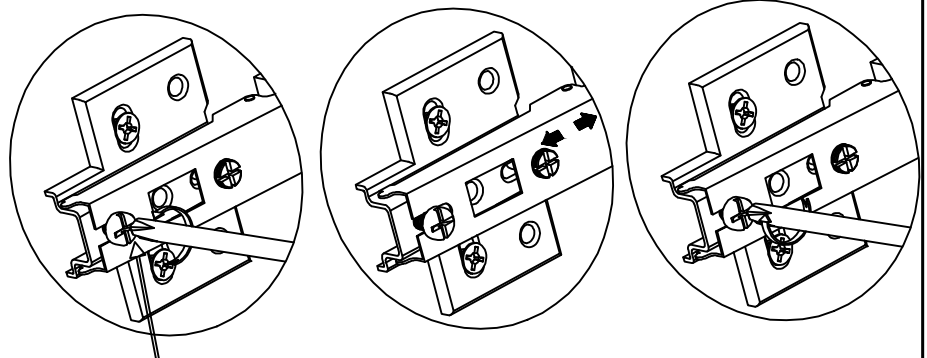
Customer Attention:

To align doors and control gap in between doors. Product doors may need adjusting during and after assembly. This can be done by adjusting appropriate screws. See below illustration.



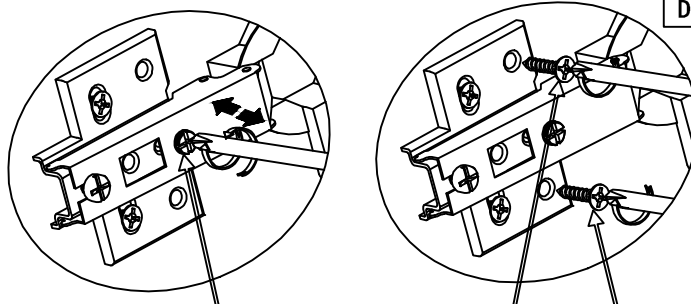
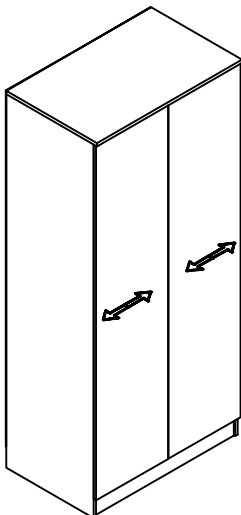
Vertical door adjustment:


Loosen both screws on all hinges and lift the door to the desired height. This allows an even space at the top and bottom between the door and frame



Lateral Door Adjustment:

If door is hinge bound, (rubbing on frame as you close or open door) loosening screw shown and move the door in appropriate direction. (In or out)



D  12PCS

Horizontal Door Adjustment:

Rotate Screw clock wise or anti clock wise. This will produce an even gap between doors and frame. after adjusting, you find the doors are in alignment, you can fasten that hinge with 2 screws

P=1

