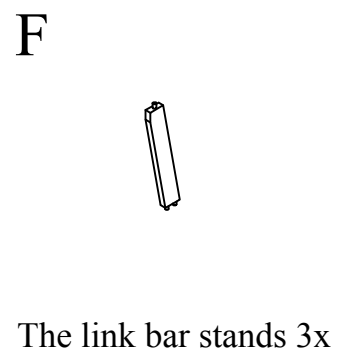
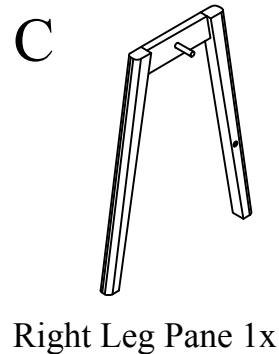
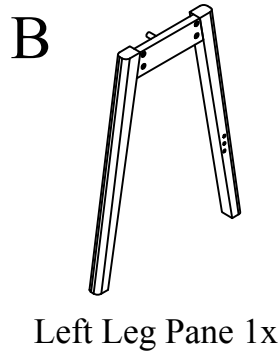
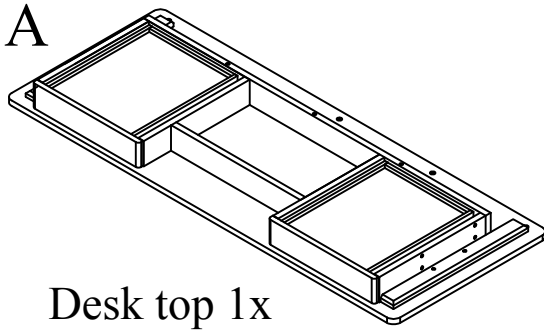


# Assembly instructions:

## DESK 1500 x 600 x 750



**STEP 1:**

Diagram for Step 1 shows the desk top with two drawers. Arrows indicate the drawers being pulled out. The label "A." is near the drawers. Below the diagram, it says "Take out the drawer box".

**STEP 3:**

Diagram for Step 3 shows the desk top with the leg panes being attached. A horizontal link bar (D) is being inserted into the top flange of the leg panes. A bolt (L) is used to secure the leg pane to the desk top. A small inset shows a close-up of the bolt (L) being inserted into a hole in the leg pane. Below the diagram, it says "Drawer box = 02 EA".

**D** Horizontal, rear link bar

**E** Bar counter top

**G** Allen key 1x

**H** Bolt M6 x 30mm 5x

**STEP 2:**

Diagram for Step 2 shows the desk top with the leg panes being attached. A bolt (G) is used to secure the leg pane to the desk top. A small inset shows a close-up of the bolt (G) being inserted into a hole in the leg pane. Below the diagram, it says "Drawer box = 02 EA".

**STEP 4: Finish.**

Diagram for Step 4 shows the desk top with the leg panes attached. Arrows indicate the drawer boxes being pushed into the desk top. A bolt (H) is used to secure the drawer box to the desk top. A small inset shows a close-up of the bolt (H) being inserted into a hole in the desk top. Below the diagram, it says "Push in drawer box".

**I** Bolt M6 x 35mm 8x

**K** Bolt M6 x 45mm 2x

**L** Bolt M6 x 70mm 4x